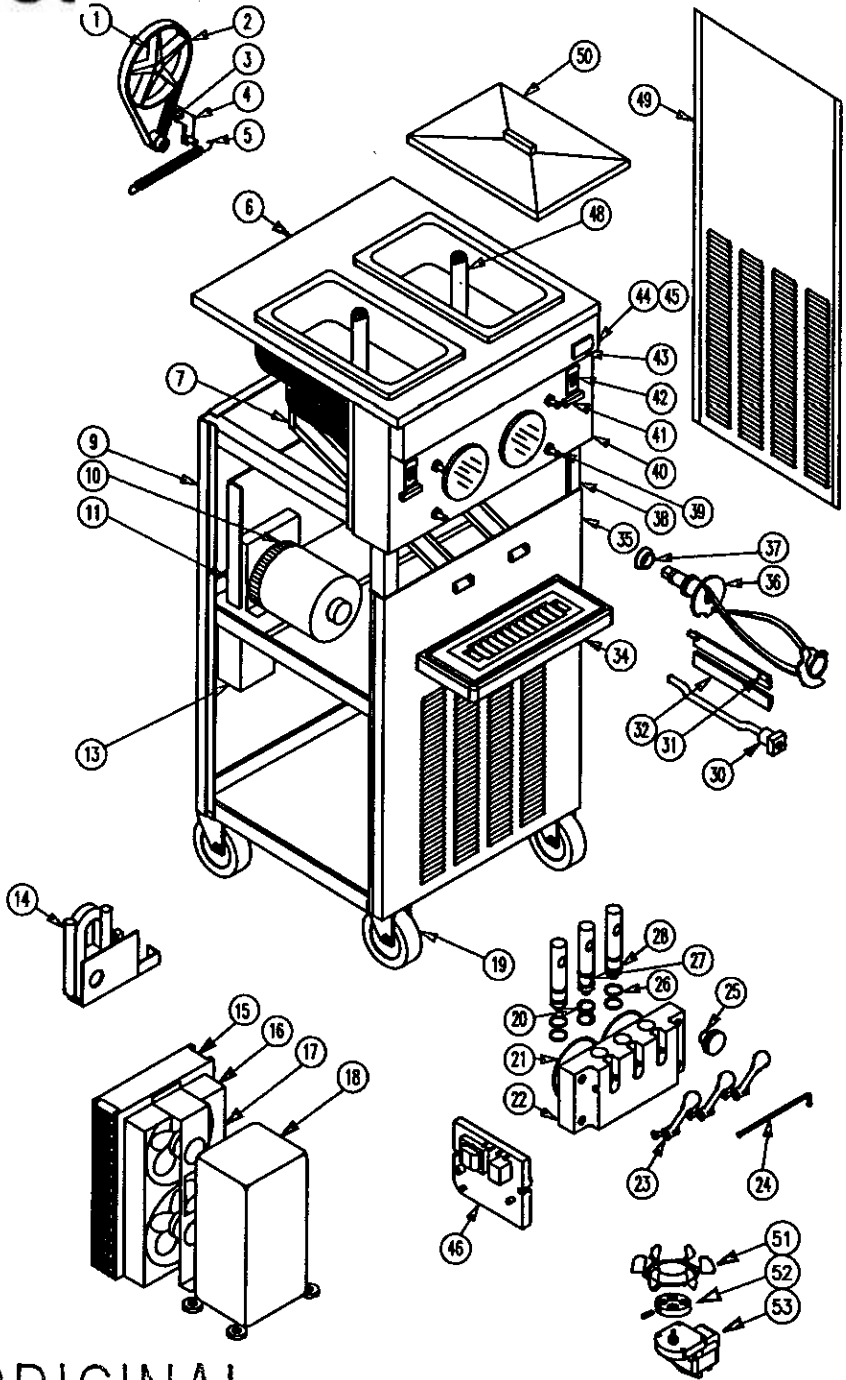


Saniserv.Net

Parts List
(208-230V, 1PH & 3PH, 60Hz)
Model 527

- 1. Pulley (2) 10615
- Key (2) 3621
- 2. Belt (2) 58891
- 3. Pulley (2) 10208
- 4. Belt Idler (2) See Sheet 2
- 5. Idler Spring (2) 64504
- 6. Evaporator and Top Cover Assy. 108485
- 7. Drip Chute (2) 109260
- 9. A/C Back Panel 108478
- W/C Back Panel 108509
- 10. Dasher Motor 1HP, 1PH (2) 75256
- Dasher Motor 1HP, 3PH (2) 75641
- 11. Evap. Support See Sheet 2
- 13. Start/Run Component Assy. ... 75740
- Run Capacitor 75739
- Start Relay 75737
- Start Capacitor 75738
- 14. W/C Condenser 75045
- Water Valve 1593
- 15. Condenser 75405
- 16. Fan Shroud 109242
- Fan Mounting Bracket 109255
- 17. Fan Motors (2) 75432
- Fan Blades (2) 75433
- 18. Compressor 1PH 75736
- Compressor 3PH 75742
- 19. Casters (4) 188124
- 20. Center O-Ring 58951
- 21. Front Plate Gasket (2) 57926
- 22. Front Plate 65795
- 23. Spigot Handle (3) 65632-01
- 24. Pivot Rod 106998
- 25. Front Plate Knobs (4) 64065
- 26. Spigot Plunger O-Rings (4) 58955
- 27. Center Spigot Plunger 106987
- 28. Spigot Plunger (2) 106988
- 30. Stator Rod (2) 109297
- 31. Scraper Blade Support (2) ... 108073
- 32. Scraper Blade (2) 108075
- 34. Drip Tray 108865
- Drip Tray Insert 108866
- Drip Tray Support 108968
- 35. Lower Front Panel 108480
- 36. Dasher (2) 65413
- 37. Rear Seal (2) 108541
- 38. Frame 108459
- 39. Front Plate Studs (4) 7107
- 40. Upper Front Panel 108477
- 41. Mix Out Light (2) 70423
- 42. Switch (2) 70023
- Switch Decal (2) 9510
- 43. Logo 16039
- 44. Wiring Box Cover 108036
- 45. Wire Box Assy (See Below)
- 46. Liquid level Control Board (2) 70598



ORIGINAL

- 48. Carb Tube (2) 109668
- O-Rings (2) 58947
- 49. Side Panels (2) 108476
- 50. Mix Pan Lid (2) 108302
- 51. Top Agitator (2) 108919
- 52. Magnetic Drive (2) 108928
- 53. Motor (2) 75816

Refrigeration Parts

- Capillary Tube (2) 108714
- Filter/Drier (2) 71010
- EPR Valve (2) 71082
- High Pressure Switch (2) 71090
- Expansion Valve (2) 71502
- Solenoid Valve (2) 71079
- Solenoid Coil (2) 71073

SaniServ

Model 527

BOM 5271070, 5271170, 5273070, 5273170

Exploded View

Description 208-230V, 1PH, 60Hz

File 180988N1.DWG

Wiring Box 1PH 15809, 3PH 15866

ECN 1539

Date 5-26-05

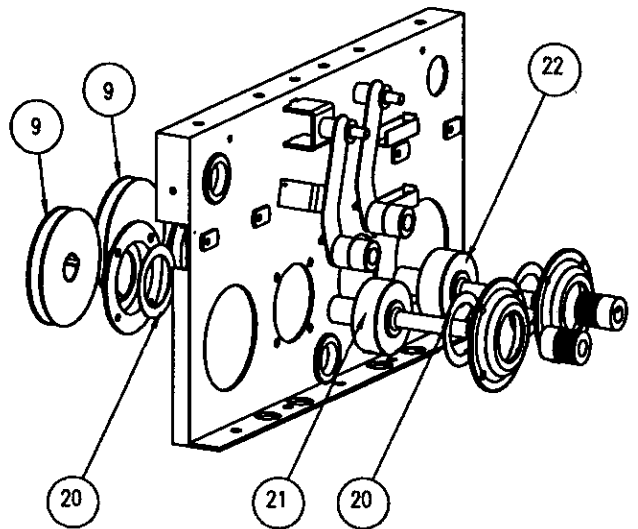
Wiring Dia. 1PH 81343, 3PH 81345

Sheet 1 of 2

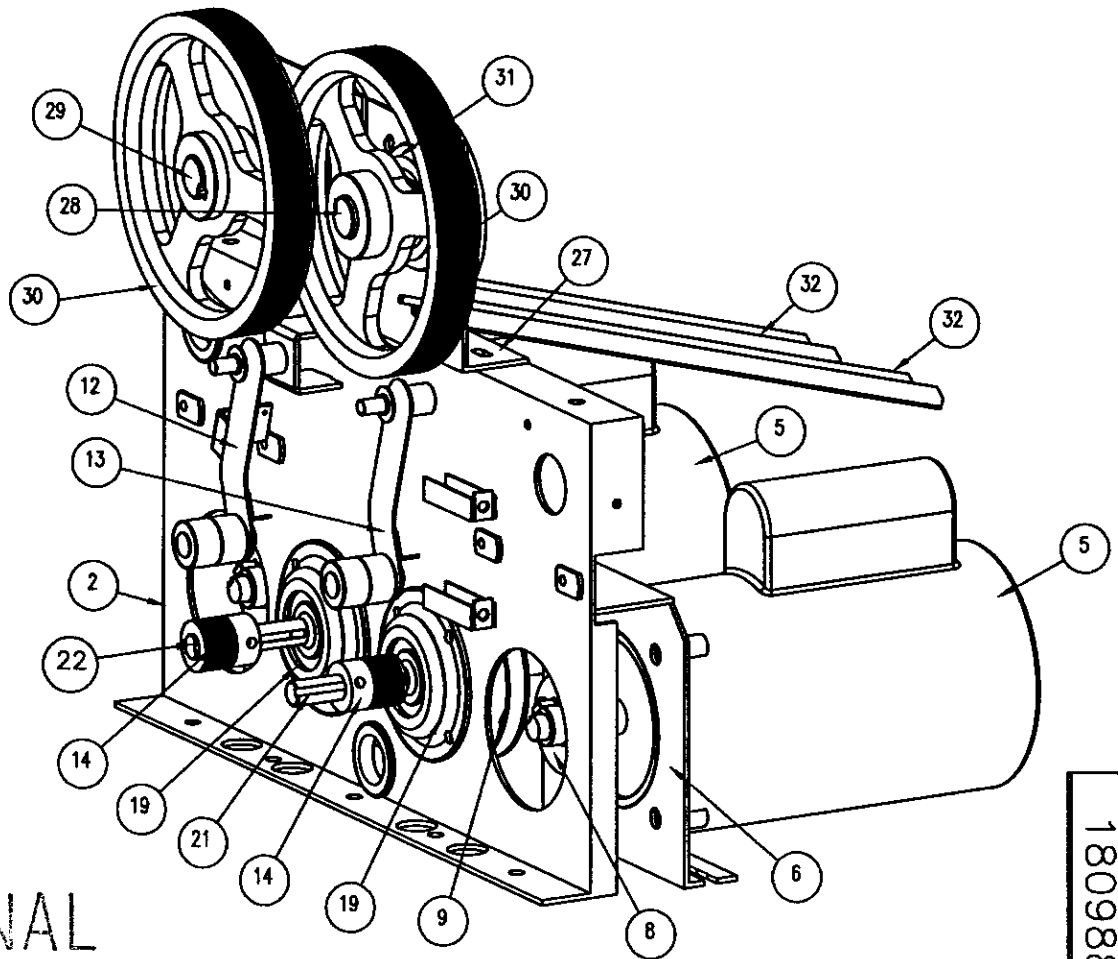
180988

Z

ITEM NO.	QTY.	PART NO.	DESCRIPTION
2	1	109294	ASSEMBLY, EVAPORATOR SUPPORT
5	2	75256	DASHER MOTOR, 1 HP, 1PH, 208-230 V
	2	75641	DASHER MOTOR, 1 HP, 3PH, 208-230 V
6	2	109240	SUPPORT, DASHER MOTOR
8	2	109264	PULLEY, 2.5 DIA, .625 BORE V-GROOVE
9	2	109272	PULLEY, 4.5 DIA, 1.0 BORE V-GROOVE
12	1	103248	TORQUE ARM, LEFT SIDE (FROM REAR)
13	1	109054	TORQUE ARM, RIGHT SIDE (FROM REAR)
14	2	10208	DRIVE PULLEY, 1.25 DIA .625 BORE, 10-J
19	4	109270	BEARING CAP
20	4	109271	SHIM, BEARING CAP
21	1	109981	RIGHT BEARING AND JACKSHAFT ASSY
22	1	109980	LEFT BEARING AND JACKSHAFT ASSY
27	2	109238	SUPPORT, EVAPORATOR, TOP
28	1	2858	BEARING AND SHAFT ASSEMBLY, SHORT
29	1	105792	BEARING AND SHAFT ASSEMBLY, LONG
30	2	10615	PULLEY, 8.0 DIA, 1.0 BORE, 10-J
31	2	109270	BEARING CAP, TOP
32	2	109260	ASSEMBLY, DRIP CHUTE
NOT SHOWN	2	58852	BELT, JACK SHAFT, 4L210
NOT SHOWN	4	3632	KEY, 3/16" SQUARE
NOT SHOWN	4	3621	KEY, 1/4" SQUARE



DETAIL EVAPORATOR SUPPORT AND MOTOR SUPPORT
(BELTS AND CABLES NOT SHOWN)



ORIGINAL

180988

SaniServ	Model 527	BOM 5271070, 5271170, 5273070, 5273170	
	Description 208-230V, 1PH & 3PH, 60Hz	File 180988N2.DWG	
Exploded View	Wiring Box 1PH 15809, 3PH 15866	ECN 1539	Date 5-26-05
	Wiring Dia. 1PH 81343, 3PH 81345	Sheet 2 of 2	

Z