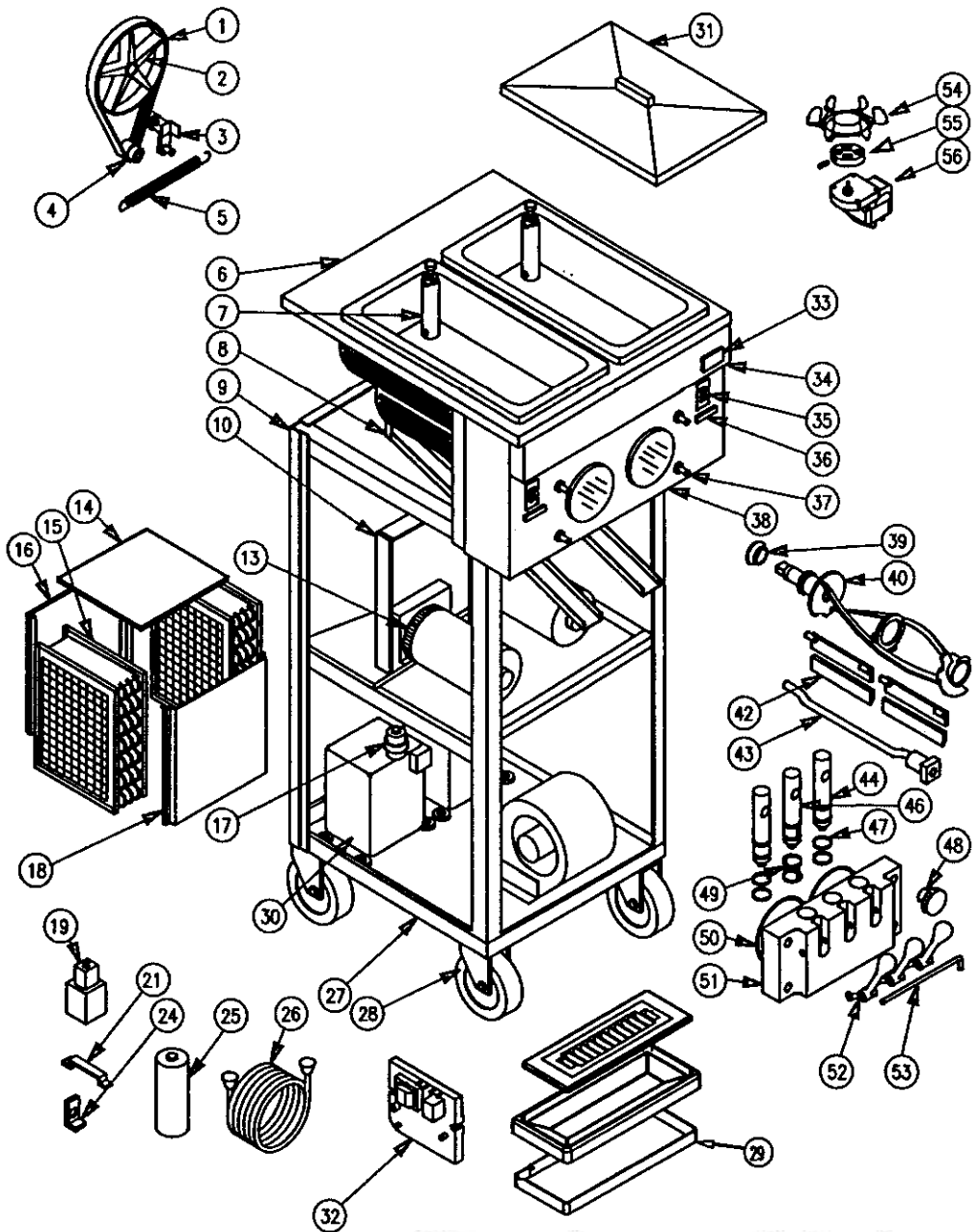


Parts List  
(230V, 1 PH & 3PH, 60 HZ)  
Model 522P

1. Belt (2) ..... 58891
2. Driven Pulley (2) ..... 10615
3. Belt Idler (2) ..... See Sheet 2
4. Drive Pulley (2) ..... 10208
5. Idler Spring (2) ..... 64504
6. Mix Pan and Evaporator  
Top Cover Assy. .... 106951
7. Carb Tube Housing (2) ..... 109666  
O-Rings (2) ..... 58947
8. Drip Chute (2) ..... 109283
9. Back Panel A/C ..... 106977-02  
Back Panel W/C ..... 107419
10. Front Panel ..... 106981-03
11. Side Panel (2) ..... 106979-01
12. Sound Deadener (3) ..... 107506
13. Evap. Support ..... See Sheet 2
14. Dasher Motor 1HP 1PH (2) ..... 75256  
Dasher Motor 1HP 3PH (2) ..... 75641
15. Top Fan Shroud ..... 109736
16. Condenser (2) ..... 75405  
Cover Plate ..... 107502
17. Rear Fan Shroud ..... 109738
18. Drier (2) ..... 71010
19. Front Fan Shroud ..... 109737  
Condenser Support ..... 109735
20. Water Valve (2) ..... 1593  
Bracket (2) ..... 105783
21. Blower (2) ..... 75378  
Blower Guard (2) ..... 107445
22. Clamp (2) ..... 105451
23. Blower Motor ..... 75379  
Mounting Bracket ..... 75380  
Capacitor ..... 75381  
Capacitor Clip ..... 75386
24. Blower Motor Mounting Bracket (2) ..... 107443
25. Water Inlet ..... 107420
26. Receiver (2) ..... 75115
27. W/C Condenser (2) ..... 75045  
W/C Base Plate (2) ..... 107448
28. Frame Assembly ..... 108144
29. Caster (4) ..... 188124
30. Drip Tray ..... 108865  
Drip Tray Insert ..... 108866  
Drip Tray Support ..... 108968
31. Compressor 2HP 1PH (2) ..... 75736  
Compressor 2HP 3PH (2) ..... 75742  
Start Capacitor ..... 75738  
Run Capacitor ..... 75739  
Relay ..... 75737
32. Mix Pan Lid (2) ..... 107794
33. Liquid Level Control Board (2) ..... 70598
34. Logo ..... 16039
35. Wiring Box Cover ..... 106983
36. Switch (2) ..... 70023  
Switch Decal (2) ..... 9510
37. Mix Out Light (2) ..... 70423
38. Front Plate Stud (4) ..... 7107
39. Upper Front Panel ..... 106980
40. Rear Seal (2) ..... 108541
41. Dasher (2) ..... 65799
42. Scraper Blade Holder (2) ..... 107177  
Scraper Blade (2) ..... 107176
43. Stator Rod (2) ..... 109296
44. Spigot Plunger (2) ..... 106988
45. Center Spigot Plunger ..... 106987
46. Spigot Plunger O-Ring (4) ..... 58955
47. Front Plate Knob (4) ..... 64065
48. Center O-Ring ..... 58951
49. Front Plate Gasket (2) ..... 57926
50. Front Plate ..... 65795
51. Spigot Handle (3) ..... 65632-01
52. Pivot Rod ..... 106998
53. Top Agitator (2) ..... 108919
54. Magnetic Drive (2) ..... 108928
55. Motor (2) ..... 75816
56. Capillary Tube (2) ..... 108714
57. EPR Valve (2) ..... 71082
58. High Pressure Switch (2) ..... 71090
59. Expansion Valve (2) ..... 71042
60. Access Valve (4) ..... 71032



Saniserv.Net  
ORIGINAL

Refrigeration Parts

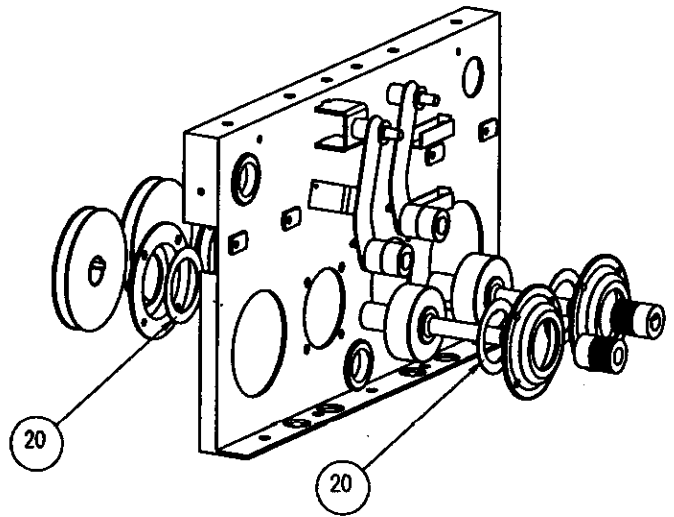
- Capillary Tube (2) ..... 108714
- EPR Valve (2) ..... 71082
- High Pressure Switch (2) ..... 71090
- Expansion Valve (2) ..... 71042
- Access Valve (4) ..... 71032

180989

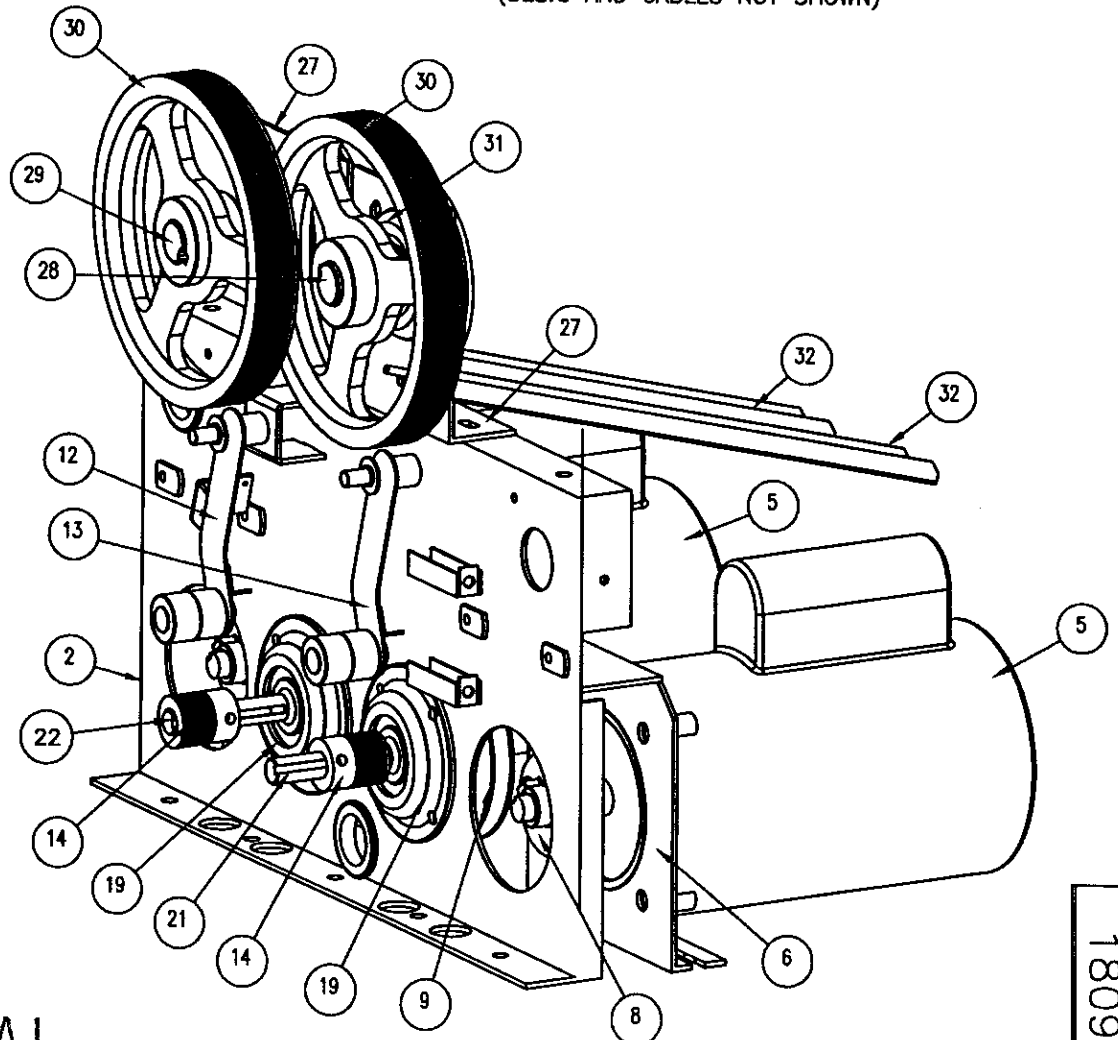
|               |                                       |  |              |
|---------------|---------------------------------------|--|--------------|
| SaniServ      | Model 522P                            | BOM 5221070, 5221170, 5223070, 5223170 |              |
|               | Description 208-230V, 1PH & 3PH, 60Hz | File 180989M1.DWG                      |              |
| Exploded View | Wiring Box 1PH 15810, 3PH 15829       | ECN 1532                               | Date 5-25-05 |
|               | Wiring Dia. 1PH 81346, 3PH 81347      | Sheet 1 of 2                           |              |

M

| ITEM NO.  | QTY. | PART NO. | DESCRIPTION                            |
|-----------|------|----------|--|
| 2         | 1    | 109294   | ASSEMBLY, EVAPORATOR SUPPORT           |
| 5         | 2    | 75256    | DASHER MOTOR, 1 HP, 230 VOLT           |
| 6         | 2    | 109240   | SUPPORT, DASHER MOTOR                  |
| 8         | 2    | 109264   | PULLEY, 2.5 DIA, .625 BORE V-GROOVE    |
| 9         | 2    | 109272   | PULLEY, 4.5 DIA, 1.0 BORE V-GROOVE     |
| 12        | 1    | 103248   | TORQUE ARM, LEFT SIDE (FROM REAR)      |
| 13        | 1    | 109054   | TORQUE ARM, RIGHT SIDE (FROM REAR)     |
| 14        | 2    | 10208    | DRIVE PULLEY, 1.25 DIA .625 BORE, 10-J |
| 19        | 4    | 109270   | BEARING CAP                            |
| 20        | 4    | 109271   | SHIM, BEARING CAP                      |
| 21        | 1    | 109981   | RIGHT BEARING AND JACKSHAFT ASSY       |
| 22        | 1    | 109980   | LEFT BEARING AND JACKSHAFT ASSY        |
| 27        | 2    | 109238   | SUPPORT, EVAPORATOR, TOP               |
| 28        | 1    | 2858     | BEARING AND SHAFT ASSEMBLY, SHORT      |
| 29        | 1    | 105792   | BEARING AND SHAFT ASSEMBLY, LONG       |
| 30        | 2    | 10615    | PULLEY, 8.0 DIA, 1.0 BORE, 10-J        |
| 31        | 2    | 109270   | BEARING CAP, TOP                       |
| 32        | 2    | 109283   | ASSEMBLY, DRIP CHUTE                   |
| NOT SHOWN | 2    | 58852    | BELT, JACK SHAFT, 4L210                |



DETAIL EVAPORATOR SUPPORT AND MOTOR SUPPORT  
(BELTS AND CABLES NOT SHOWN)



ORIGINAL

Saniserv.Net

180989

|               |                                       |  |              |
|---------------|---------------------------------------|--|--------------|
| SaniServ      | Model 522                             | BOM 5221070, 5221170, 5223070, 5223170 |              |
|               | Description 208-230V, 1PH & 3PH, 60Hz | File 180989M2.DWG                      |              |
| Exploded View | Wiring Box 1PH 15810, 3PH 15829       | ECN 1532                               | Date 5-25-05 |
|               | Wiring Dia. 1PH 81346, 3PH 81347      | Sheet 2 of 2                           |              |

M