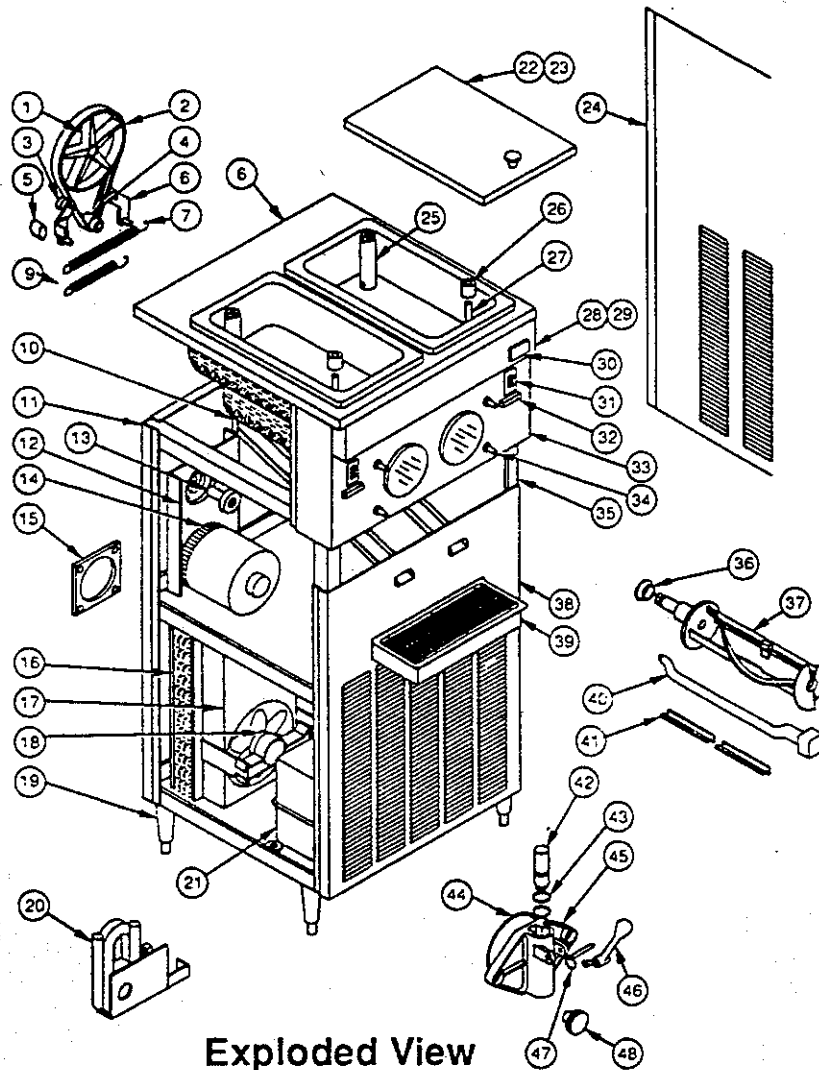
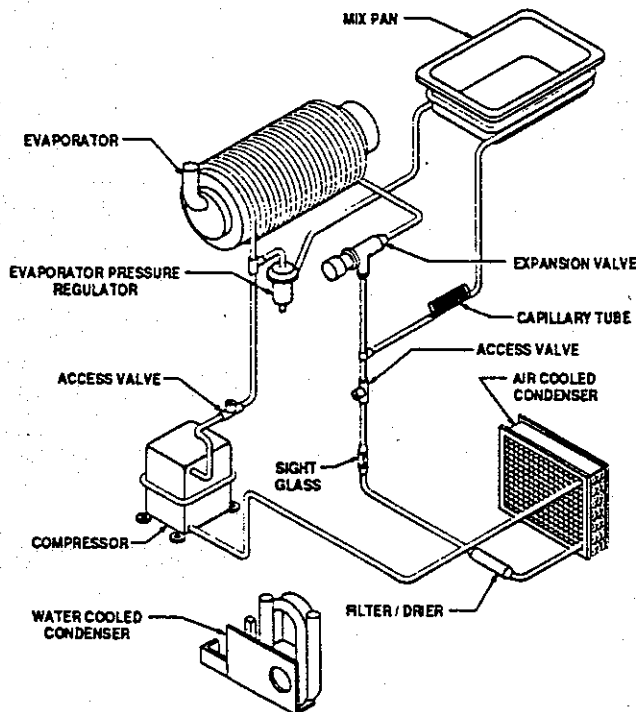


MODEL 421E Soft Serve

PARTS LIST



Exploded View



Refrigeration System

1. Pulley (2) 10615
2. Belt (2) 58891
3. Torque Idler (2) 104973
- L.H. Torque Cable 106102
- L.H. Torque Cable 105730
- Torque Bracket 106100
4. Pulley (2) 10208
5. Cushion (2) 104648
6. Belt Idler (2) 103249-01
7. Idler Spring (2) 64515
8. Mix Pan and Evap. Top Cover Assy. 105632
9. Torque Spring (2) 64504
10. Hanger (2) 105369
- Drip Chute (2) 105360
11. A/C Back Panel 105651
- W/C Back Panel 105652
12. Evaporator Support(2) 105761
13. Bearing & Shaft (2) 2858
14. Dasher Motor (2) 75336
15. Gasket (2) 102427
16. A/C Condenser Assembly (2) 104774
- A/C Condenser (2) 75128
17. Shroud (2) 7200
18. Fan Motors (2) 75138
- Fan Blades (2) 75312
- Fan Bracket (2) 7199
19. Legs (4) 64145
20. W/C Condenser (2) 75048
- Water Valve (2) 1593
21. Compressor (2) 75593
22. Mix Pan Lid (2) 104278-02
23. Knobs (2) 64420
24. Side Panel (2) 105653
25. Carburetor Tube (2) 105692
- Insert (2) 105979/118572
- O-Rings (4) 58947
26. Mix Out Float (2) 61396
27. Reed Switch (2) 61397-01
28. Wiring Box Cover 105564-02
29. Wiring Box Assy 15635
- Adapter Plate 105683
30. Logo 16023
- Nuts (2) 60023
31. Switch (2) 70023
- Switch Decal (2) 9510
32. Mix Out Light (2) 61398
33. Upper Front Panel 105649
34. Front Plate Studs (4) 7107
35. Frame 105624
36. Rear Seal (2) 104916
37. Dasher (2) 3113-01
38. Lower Front Panel 105769
39. Drip Tray 102054
- Drip Tray Insert 101948
- Drip Tray Support 105595
40. Stator Rod (2) 65633
41. Scraper Blades (4) 104984
42. Spigot Plunger (2) 105503
43. O-Rings (4) 58923
44. O-Ring (2) 58911
45. Front Plate (2) 65631
46. Spigot Handle (2) 65632-02
47. Faspin (2) 64255
48. Knobs (4) 64065

REFRIGERATION PARTS

- Access Valve (2) 71046
- Cap Tube (2) 3084
- Drier (2) 71003
- EPR Valve 71082
- Expansion Valve (2) 71035
- Sight Glass (2) 71036

WIRING BOX PARTS

- Auto/Cleanout Switch (2) 70023
- Contactor (2) 70125
- Delay Relay (2) 70262
- Solid State Relay (2) 70373
- Solid State Timer (2) 70372
- Spigot Switch (2) 70008
- Terminal Board (2) 61073