



Instruction Booklet
Livert D'Instructions

ZOE COMPETITION
ZOE COMPETITION TALL

ZOE COMPETITION

BUILDER

FABRICANT

SANREMO
COFFEE MACHINES



SANREMO coffee machines s.r.l.
Via Giacomo Bortolan, 52
31050 Vascon di Carbonera (Treviso) ITALY
Tel. +39.0422.498900 - Fax. +39.0422.448935
www.sanremomachines.com - E-mail: info@sanremomachines.com

EN SUMMARY DATA

We recommend transcribe the data in the underlying table of the machine, in order to facilitate any reports to the sales network.

FR RÉFÉRENCES DE LA MACHINE

Il est conseillé de copier dans le tableau ci-dessous les références de la machine afin de faciliter les signalements au réseau de vente.

SANREMO COFFEE MACHINES mod <u>B</u> type <u>D</u> <u>A</u> <u>W</u> <u>C</u> <u>V</u> <u>N</u> <u>E</u> Hz S.N. <u>L</u> boiler 1: <u>I</u> P.max: <u>G</u> boiler 2: <u>F</u> water supply: <u>H</u>	MADE IN ITALY Via G. Bortolan, 52 31050 VASCON (TV) ITALY  M 
---	--

	ENGLISH	FRANÇAIS
A	Power	Puissance
B	Model	Modèle
C	Supply voltage	Tension d'alimentation
D	Machine identification code	Identification configuration de la machine
E	Frequency	Fréquence
F	Maximum pressure boiler 2	Pression maximale de la chaudière à vapeur 2
G	Maximum pressure	Pression maximale
H	Inlet supply pressure	Pression du réseau d'alimentation
I	Maximum pressure boiler 1	Pression maximale de la chaudière à vapeur 1
L	Identification number	Numéro d'identification
M	Identification of certifications	Identification des certifications



Congratulations on purchasing your SANREMO machine: each one of our products is the result of careful research, in constant collaboration with coffee lovers from all over the world. That's why your thoughts are important to us: your experience and collaboration makes us improve every day, and you can always get the best out of every SANREMO creation.

SANREMO, think about it.

Nous vous félicitons d'avoir acheté un appareil SANREMO : chacun de nos appareils a fait l'objet d'une recherche pointue et d'une collaboration constante avec les amateurs de café dans le monde entier. Votre avis a donc une grande importance pour nous : votre expérience et votre collaboration nous permettront d'améliorer constamment nos produits et de vous offrir ce qu'il y a de mieux à chaque création SANREMO.

SANREMO, pensez-y.

Instruction for model
Notice pour le modèle

ZOE SED COMPETITION
ZOE SED COMPETITION TALL

English	Page	8
Francais	Page	29

1. INDEX

1.SAFEGUARDS	11
1.1 GENERAL WARNINGS	11
1.2 REFERENCE STANDARDS	12
1.3 DESCRIPTION OF THE SYMBOLS.....	12
1.4 PREPARATION BY THE PURCHASER	12
1.5 EMERGENCY OPERATIONS IN CASE OF FIRE	13
1.6 RISK OF EXPLOSION.....	13
1.7 SOUND PRESSURE LEVEL	13
1.8 VIBRATION	13
2.SAFETY	13
2.1 INTENDED USE.....	13
2.2 IMPROPER USE.....	14
2.3 SAFETY LABELS.....	14
2.4 SAFETY DEVICES	15
2.5 OPERATOR AREAS.....	15
2.6 AREAS WITH RESIDUAL RISK.....	15
2.7 DANGEROUS AREA	15
3.DESCRPTION OF THE MACHINE	16
3.1 MODEL ZOE COMPETITION SED - ZOE COMPETITION SED TALL	16
3.2 TECHNICAL SPECIFICATION.....	16
3.3 IDENTIFYING THE COMPONENTS	17
3.4 IDENTIFICATION LABEL	17

4.INSTALLATION 18

4.1 ELECTRICAL CONNECTION..... 18

4.2 INSTALLING THE POWER SUPPLY CABLE..... 18

4.3 WATER CONNECTION 19

4.4 WARNING - CORRECT USE OF ROTARY PUMPS..... 19

5. USE..... 21

5.1 PRELIMINARY CHECK..... 21

5.2 INITIAL INSTALLATION AND WASHING 21

5.3 HOT WATER DELIVERY 21

5.4 STEAM DELIVERY 21

5.5 COFFEE DELIVERY ZOE COMPETITION SED MODEL 21

5.6 DISPENSER PROGRAMMING 22

5.7 TO ENABLE PRE-BREWING 22

5.8 TO DISABLE PRE-BREWING 22

6.CLEANING AND MAINTENANCE 22

6.1 GENERAL CLEANING WARNINGS 22

6.2 ROUTINE MAINTENANCE 23

6.3 SCHEDULED MAINTENANCE (TECHNICIAN)..... 24

6.4 EXCEPTIONAL MAINTENANCE (TECHNICIAN) 24

7.TROUBLESHOOTING	25
7.1 WARRANTY.....	26
7.2 TECHNICAL ASSISTANCE AND SPARE PARTS.....	27
8.SCRAPPING AND MATERIAL DISPOSAL.....	27
8.1 SCRAPPING THE MACHINE	27
8.2 DISPOSAL OF HARMFUL SUBSTANCES.....	27

1. SAFEGUARDS

1.1 GENERAL WARNINGS

- This instruction booklet is an integral part of the machine and must be kept carefully for future consultation.

If it is lost or you require further information, contact your local dealer or the manufacturer.

- Before using the machine for the first time, the operator must have read this instruction booklet carefully and have indepth knowledge of the technical specifications and controls.
- Before installing the machine, make sure the area where it will be installed is compatible for the size and weight of the machine.
- The machine is not suitable for installation outdoors, in places where water jets may be used, or where the temperature may drop below 5°C.
- Do not install the machine near heat sources.
- Children shall not play with the machine.
- This machine can be used by children aged from 8 years and above and persons with reduced physical, sensory or mental capabilities or lack of experience and knowledge if they have been given supervision or instruction concerning use of the machine in a safe way and if they understand the hazards involved.
- Do not use the device with wet hands or bare feet.
- Do not allow unauthorised and unqualified personnel to operate, adjust or repair the machine.
- Authorised qualified technical personnel must have the necessary hygiene and safety knowledge to use the appliance correctly.
- They should also refer to this instruction booklet for the necessary operations.
- Before cleaning and/or performing maintenance on the machine and before removing any of the guards, make sure the main switch is in the "OFF" (O) position to disconnect power from the machine while the operator is working.
- The purchaser's mains power installation must include an automatic circuit breaker upstream of the main switch of the machine with a contact opening distance complying with the disconnection specifications for Overvoltage Category III and an adequate earth system complying with all the requirements of accident prevention standards and regulations.
- Do not use adaptors, multiple sockets and/or extensions.
- Do not use the machine if the power cable is frayed or damaged.
- When working on or near the main switch, disconnect the switch from the mains power line.
- Check that all safety devices (guards, casing, microswitches, etc.) have not been tampered with and are operating perfectly. If this is not the case, repair.
- Do not remove the safety devices.
- To avoid personal danger, use only suitable tools complying with national safety standards and regulations.
- **PAY MAXIMUM ATTENTION TO THE WARNING LABELS WHENEVER YOU OPERATE ON OR NEAR THE MACHINE.**
- The user must replace any warning labels for whatever reason damaged or not clearly legible, requesting replacement labels from the Spare Parts Service.
- If the machine is malfunctioning or the components are damaged, contact your local dealer or the manufacturer.
- Any use of the machine other than those expressly envisaged and documented is absolutely forbidden.
- The machine must always be used according to the procedures, times and places established by the rules of good practice, in compliance with the directives in force and in respect of the standards and regulations on the health and safety of workers in force in the country of use.
- Failure to observe safety standards and the instructions given in this instruction booklet

absolves the manufacturer of all liability for possible accidents or damage to persons or things.

- Use other than that indicated in this instruction booklet is to be considered improper. If you believe this instruction booklet is not sufficiently exhaustive for your needs, always contact your local dealer or the manufacturer for further instructions and solutions.
- **THESE SAFETY RULES COMPLETE, OR SUPPLEMENT, THE SAFETY STANDARDS AND REGULATIONS IN FORCE LOCALLY.**
- **IF IN DOUBT, ALWAYS REQUEST THE INTERVENTION OF SPECIALISED PERSONNEL.**
- **ANY ELECTRICAL/ELECTRONIC OR MECHANICAL TAMPERING WITH THE MACHINE BY THE USER OR NEGLIGENT USE OF THE MACHINE ABSOLVES THE MANUFACTURER OF ALL LIABILITY AND MAKES THE USER SOLELY RESPONSIBLE BEFORE THE ACCIDENT PREVENTION AUTHORITIES.**

1.2 REFERENCE STANDARDS

The machine and its safety devices are manufactured in compliance with the standards indicated in the declaration of conformity.

1.3 DESCRIPTION OF THE SYMBOLS

Many accidents are caused by inadequate knowledge of and failure to apply the safety rules to be respected while operating and performing maintenance on the machine.

To avoid accidents, read, understand and respect all the precautions and warnings in this instruction booklet and on the labels affixed to the machine.

The following symbols are used to identify the safety messages given in this instruction booklet:



Electrical hazard.



General hazard or miscellaneous information.



Heat hazard (burns).



Hazard of damage to the machine.

To identify operations that must be performed exclusively by a technician, we used the symbol :



1.4 PREPARATION BY THE PURCHASER

a) Preparation of the installation site

- The purchaser must prepare the surface on which the machine will stand as described in the chapter on installation.

b) Electrical requirements

- The mains power installation must comply with the safety regulations and standards in force in the country of installation and must include an efficient earth system.
- An omnipolar cut-off device must be installed on the power line upstream of the machine.



The power wires must be sized according to the maximum current required by the machine to ensure a total voltage loss under full load of less than 2%.

c) Plumbing requirements

- The purchaser must prepare a drain with siphon and a mains water supply providing suitably softened water, with a splitter tap upstream of the machine.

1.5 EMERGENCY OPERATIONS IN CASE OF FIRE

In case of fire, disconnect power to the machine by turning off the main switch.



Never try to extinguish the fire with water while power to the machine is on.

Extinguish the fire with suitable fire extinguishers.

1.6 RISK OF EXPLOSION

The machine is not suitable for use in environments where there is a risk of explosion.

1.7 SOUND PRESSURE LEVEL

The machine is constructed to maintain an A weighted equivalent continuous sound pressure level (dB) below 84dB, uncertainty 2,5 dB.

1.8 VIBRATION

The machine is fitted with rubber vibration damper feet.

During normal operation, no vibrations harmful to the operator or the environment are generated.

2. SAFETY**2.1 INTENDED USE**

The coffee machine is designed and constructed exclusively to make espresso coffee and hot drinks (tea, cappuccino, etc.) using hot water or steam.

Only professional operators with adequate knowledge of hygiene and safety standards and regulations may use the coffee machine.

It includes an area to preheat the cups. This must be used for this purpose only. Any other use is considered improper and therefore dangerous.



Improper use of the machine absolves the manufacture of all liability for possible damage to persons or things.

2.2 IMPROPER USE

The coffee machine is designed and constructed exclusively for food use. The following are therefore prohibited:

- use of the machine by non-professional operators;
- introduction of liquids other than softened drinking water with a maximum hardness of 3/5 French degrees (60/85 ppm);
- heating drinks or other non-food substances;
- introduction of ground products other than coffee into the portafilter;
- placing objects other than cups on the cup warmer;
- resting containers of liquid on the cup warmer;
- obstructing the vents with cloths or other items;
- covering the cup warmer with cloths;
- touching the delivery areas with the hands;
- using the machine when very wet.



This chapter lists a number of reasonably foreseeable improper uses. The machine must, however, always be used in respect of the instructions given in the chapter “Intended use”.

2.3 SAFETY LABELS

Safety labels with descriptive symbols are present in all areas representing a hazard for operators or technicians.



Labels giving safety instructions are affixed to the machine and must be scrupulously respected by anyone using or servicing it. Failure to comply with the safety instructions absolves the manufacturer from all liability for resulting damage or accidents to persons or things.

Danger: live voltage



- This label is affixed in all areas with live voltage. No operations must be performed with the power on.

Danger of burn



- This label is affixed to the top of the cup warmer.

2.4 SAFETY DEVICES

There are essentially two types of safety systems designed and incorporated in the coffee machine:

- Mechanical safety devices
- Electrical/electronic safety devices.

Mechanical safety devices

The mechanical safety devices consist of the following:

- panels fully closed by screws enclosing the electrical/electronic components and boiler;
- work surface with grille and tray to collect liquids;
- controls located on the top of the machine above the delivery areas;
- relief valve on the boiler;
- check valve in the water circuit.

Electrical/electronic safety devices

The electrical/electronic safety devices consist of the following:

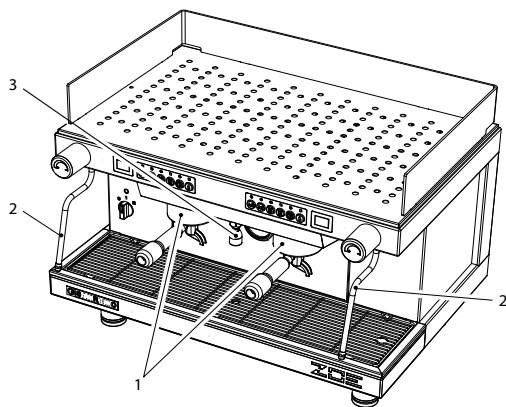
- thermal breakers on the motors;
- safety thermostats to control overheating;

2.5 OPERATOR AREAS

The machine is operated by a single operator who stands in front of the machine to easily make coffee and other hot drinks

2.6 AREAS WITH RESIDUAL RISK

Areas with residual risk are those which cannot be protected due to the particular type of production. In the coffee machine, these are as follows:



- the area (1) of the groups during coffee delivery;
- the area (2) of the steam wand when heating drinks;
- the area (3) where hot water is delivered;



There is a risk of burns in all these three areas.

2.7 DANGEROUS AREA

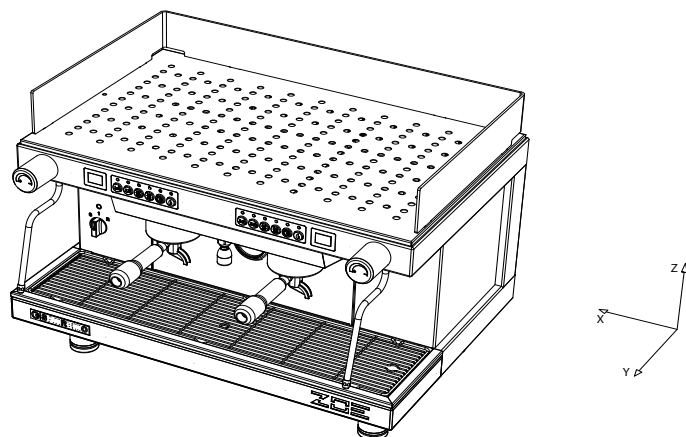


Dangerous areas are all the areas inside the machine protected by the safety guards where the technician may operate when repairing the machine. These areas must be accessed by technicians only.

3. DESCRIPTION OF THE MACHINE

3.1 MODEL ZOE COMPETITION SED - ZOE COMPETITION SED TALL

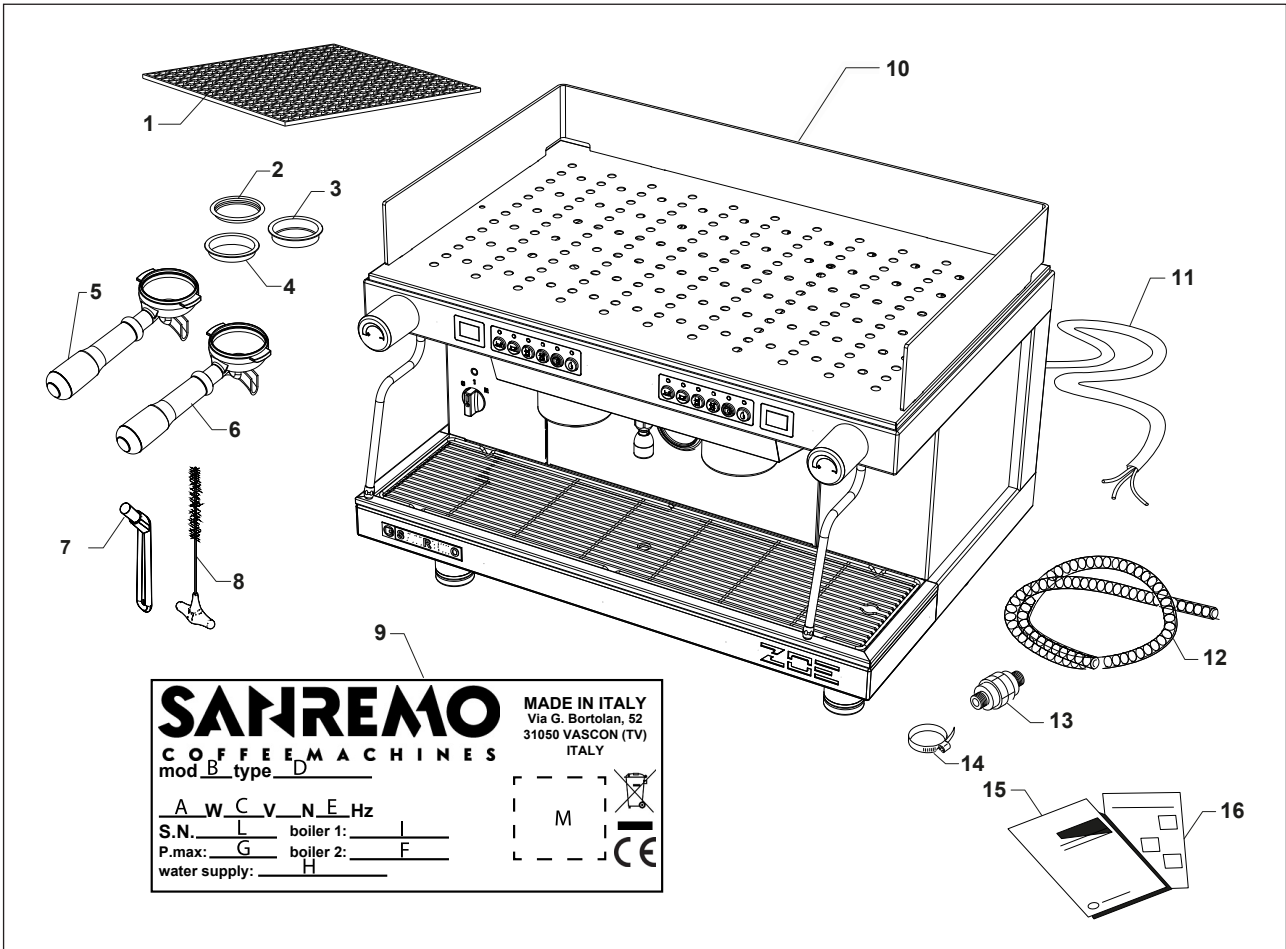
Electronic microprocessor controlled model with quantities programmable by LED keypad.
Available in **2 or 3 group versions**.



3.2 TECHNICAL SPECIFICATION

GROUPS		1	2	2 TALL	3	3 TALL
Width (x)	mm/ inches	530 / 20,86	720 / 28,34	720 / 28,34	950 / 37,40	950 / 37,40
Depth (y)	mm/ inches	528 / 20,78	528 / 20,78	528 / 20,78	528	528
Height (Z)	mm/ inches	537	537 / 21,14	601,5 / 23,7	537 / 21,14	601,5 / 23,7
Capacity	litri / US gal	4,5	10 / 2,64	10 / 2,64	14 / 3,7	14 / 3,7
Net weight	Kg	41	55	55	69	69
Gross weight	Kg	45	59	59	73	73
Supply voltage	V	208-240	208-240	208-240	208-240	208-240
Absorbed power resistor (230V)	kW	2,95/4,9	2,95/4,9	2,95/4,9	5,6	5,6
Absorbed power cup warmer resistor	kW	0,2	0,2	0,2	0,2	0,2
Absorbed power electric pump	kW	0,2	0,2	0,2	0,2	0,2
Absorbed power external electric pump (optional)	kW	,02	0,2	0,2	0,2	0,2
Power solenoid valves	kW	0,0135	0,0225	0,0225	0,0315	0,0315
Boiler working pressure	(Bar) MPa	(0,8-1) 0,08:0,1	(0,8-1) 0,08:0,1	(0,8-1) 0,08:0,1	(0,8-1) 0,08:0,1	(0,8-1) 0,08:0,1
Mains water pressure (max)	(Bar) MPa	(6) 0,6	(6) 0,6	(6) 0,6	(6) 0,6	(6) 0,6
Coffee delivery pressure	(Bar) MPa	(8-9) 0,8/0,9	(8-9) 0,8/0,9	(8-9) 0,8/0,9	(8-9) 0,8/0,9	(8-9) 0,8/0,9

3.3 IDENTIFYING THE COMPONENTS



Legend

- 1.cup grid
- 2.blinded filter
- 3.single filter
- 4.double filter
- 5.single portafilter
- 6.double portafilter
- 7.brush
- 8.cleaner
- 9.rating plate
- 10.coffee machine
- 11.power cable
- 12.drain tube
- 13.water purifying filter
- 14.hose clip
- 15.instruction booklet
- 16.declaration of conformity

3.4 IDENTIFICATION LABEL

- A. Power
- B. Model
- C. Supply voltage
- D. Machine identification code
- E. Frequency
- G. maximum pressure
- H. Inlet supply pressure
- I. Boiler maximum pressure
- L. Serial number
- M. Identification of certification

4. INSTALLATION

Before installing the appliance ensure that the mains voltage and power correspond to the data given in the specifications table. Take the appliance out of the packaging and put it in its final place of installation ensuring that it is stable and safe and that there is the necessary space for using it.

Place the machine in a way that the distance between the grid and the floor is not less than 150cm.

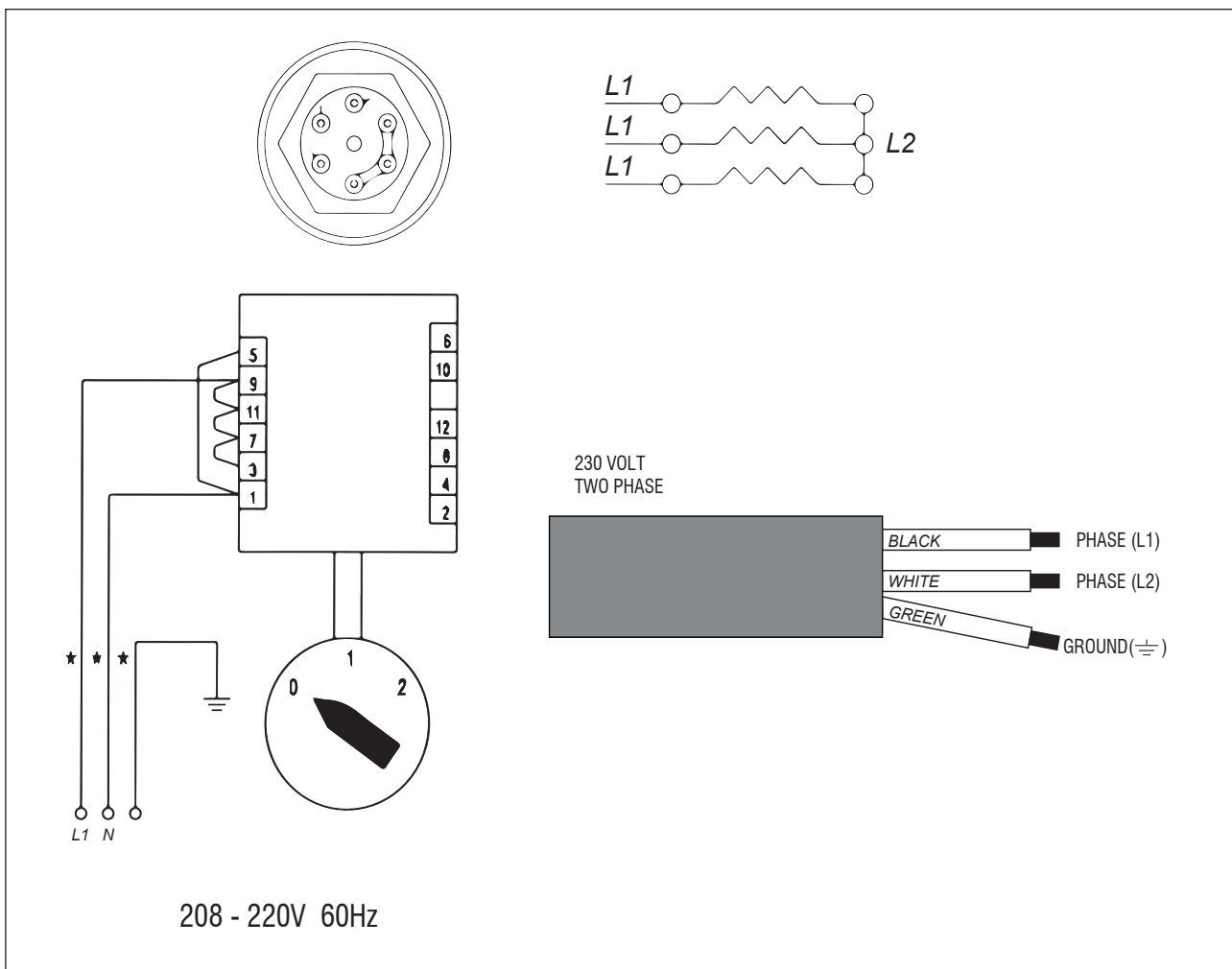
4.1 ELECTRICAL CONNECTION

Before connecting the power cable, follow the instructions below to install a safety switch and of the proper capacity:

Install ground cable, then phase cables. Uninstall phase cables first and then ground if needed. Make sure the ground connection complies with existing standards and regulations. To connect directly to the mains electricity supply, include a device to disconnect the appliance from the mains, with a contacts opening distance which allows complete disconnection in conditions of category III over tension, in compliance with the installation rules.

N.B. CHECK THAT THE DATA ON THE RATING PLATE CORRESPOND TO YOUR MAINS ELECTRICITY SUPPLY.

4.2 INSTALLING THE POWER SUPPLY CABLE



4.3 WATER CONNECTION

When installed, the boiler and heat exchangers are dry to avoid possible damage to the appliance caused by freezing.

- 1) The appliance must be supplied with cold water only.
- 2) If the mains pressure is higher than 0.6 Mpa (6 bars), you must install a pressure regulator with 0.6 Mpa (6 bars) maximum output pressure.
- 3) Connect the drain hose to the drip tray, avoiding excessively tight curves and sloping the hose appropriately to facilitate water flow.
- 4) Connect a water inlet hose to the mains water supply, then to the water softener and the appliance. Connect to the mains water supply in respect of national legislation.

N.B. The water softener is indispensable for correct operation of the appliance, to optimise coffee delivery in the cup and to extend the working life of components, as it purifies the water from limescale and residues that would otherwise shorten working life.

Failure to follow these instructions absolves the company from all liability.

Before connecting the pump intake tube, open the tap and run water through the water softener for about two minutes to eliminate possible.

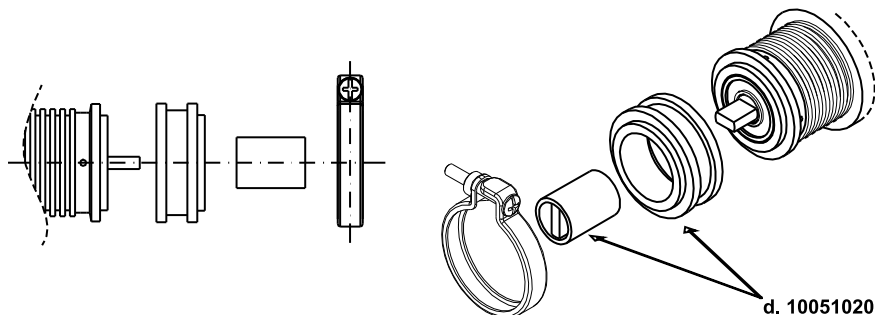
4.4 WARNING – CORRECT USE OF ROTARY PUMPS

1) PROPER ALIGNMENT OF PUMP AND MOTOR

On occasion the noise of a motor-pump assembly is caused by a poor alignment.

When the coupling between motor and pump is rigid, the pump rotor and the motor rotor may be out of axis. If this condition is maintained over time the most likely damage is seizure of the pump.

An efficient solution of this problem is the use of an elastic coupling between pump and motor. SANREMO supplies an optional kit code N. 10051020.



2) QUALITY OF WATER.

Tight mechanical tolerances of components and materials used for rotary vane pumps require a very clean water, free from suspended particles. Sand, deposits on connecting pipes or the resins of the sweetener, when flowing through the pump, may scratch graphite parts causing problems of insufficient pressure and flow rate.

If a closed loop hydraulic circuit is not available to guarantee a clean water and no sources of contamination SANREMO recommend to install a 5-10 micron filter between the sweetener and the pump.

Recommended filter: food approved polipropilene wire cartridge.

Keep the filter clean.: an upstream dirty filter will create cavitation and the pump will break shortly (see section 4).

3) DRY OPERATION

Rotary vane pumps may operate in dry condition only for a very short time- few seconds! Without a proper water cooling the temperature of the mechanical seal will increase very quickly with resulting breakage. The most likely impact is a remarkable leak visible from the four drain holes close to the motor clamp . For potential lack of feed from city water line SANREMO recommend the installation of a minimum pressure safety switch upstream from the pump. In case of feed from a tank install on the tank a minimum level switch.

4) CAVITATION

Cavitation shows when feed flow rate does not match the pump design requirement: most frequent causes are dirty filters, small diameter pipes, more users on the same line. Opening of the safety valve (generally installed upstream from pump and filter) must happen before the pump start up. This will avoid cavitation. For the same reason closing of the safety valve must be delayed after the pump shut down. The most noticeable effect is an increase of noise. If cavitation continues the impact is the same as of dry operation.

5) BACK FEED OF HOT WATER

If a non return valve between the pump and the hot water vessel is defective the pump may come in contact with hot water(90-100°C). Dimensional variations of components will cause seizure of the pump.

6) WRONG CONNECTIONS

Pumps connectors are 3/8"NPT(conical) or 3/8" GAS(cylindrical). Connectors with thread different from the recommended type are occasionally used. Sealing is made with a glue or with teflon tape. If the connector is forced it is possible to create beards; if excess sealing glue is used the extra quantity of glue may enter into the pump body. In both cases it is likely to create a damage.

7) PRESSURE STROKES

To avoid pressure strokes opening of solenoid valves installed downstream must happen before the start of the pump. For the same reason closing of the valve must be delayed after stopping of the pump. A pressure stroke may break graphite parts and damage mechanical seal causing blockage of the pump and leaks.

8) HANDLING

A crash on the floor may create deformations that will jeopardize the tight mechanical tolerances of the pump components. For the same reason be very careful when clamping the pump to mount or demount connectors.

9) SCALE BUILD UP

Scale deposits will quickly show on inner components when using hard water, not sweetened with ion exchange resins. Scale formation increases when the pressure relief valve is used as flow rate regulator: the rate of scale deposition increases with increasing of closed loop circulation. Scale deposits cause an increase of torque, occasional seizure of the pump or a reduction of operating pressure because the pressure relief valve cannot work properly. To minimize this problem SANREMO suggest to use pumps with flow rate matching the hydraulic circuit features. In some circuits it is advisable to periodically remove scale with a chemical treatment.

5. USE

5.1 PRELIMINARY CHECK

Before using the appliance, check that:

- the plug is inserted properly into the mains power outlet;
- the water filling hose is correctly connected to the mains water outlet, check for leaks and that the water tap is open;
- the drain pipe is positioned in accordance with the preceding instructions.

With the steam tap (B) open, place the ON/OFF switch (D) in the 1 position and wait for the water in the boiler to reach the maximum level established by the electronic control unit. If the boiler does not fill within the set time-out (90 secs.), the pump stops and the keypad LEDs flash. In this case put the on/off switch (D) to position 0 and then to position 1 to finish filling the boiler.

Now put the on/off switch (D) to position 2 so that the heating elements are powered and therefore start to heat the water.

Wait for steam to come out the steam nozzle (B), then close the tap and, using the Boiler pressure gauge, check that the pressure has reached and maintains a value of 0.8:1 bar.

5.2 INITIAL INSTALLATION AND WASHING

Activate the hot beverage appliance and bring it to the rated operating conditions, leaving it statically "ready for operation" for 4 hours (nominal temperature and boiler pressure conditions: 120 ° C - 1 bar). After 4 hours, dispense water from the groups and from the boiler outlet and drain until the entire hydraulic circuit is empty so as to eliminate any initial impurities.

Then load the unit again and bring it up to the rated operating conditions according to the operating instructions.

5.3 HOT WATER DELIVERY

Make sure the boiler pressure gauge shows a pressure of 0.5:1 bars.

Press the button (M6) to deliver hot water, then press again to stop delivery. Take great care to avoid burns.

5.4 STEAM DELIVERY

All models have two steam nozzles on the sides of the work surface, with the exception of the one group machine which has just one. These steam nozzles are retractable and can be oriented by means of a ball joint. To deliver steam, turn the knobs (B) anticlockwise. Take great care to avoid burns.

5.5 COFFEE DELIVERY ZOE COMPETITION SED MODEL

Insert the filter holder (E) in its seat (F) by turning it anticlockwise. Select the type of delivery required on the keypad (M):

M1 = One short/standard coffee.

M2 = One standard/long coffee.

M3 = Two short/standard coffees.

M4 = Two standard/long coffees.

M5 = Electronic settings button or continuous manual delivery.

During the erogation the display (G) shows the total time for coffee extraction.

5.6 DISPENSER PROGRAMMING

- a) To access this phase keep the button M5 on the first push button panel on the left pressed for over 5 seconds. The indicator lights of the buttons M5 start to blink continuously. Select the caption corresponding to the amount required and press to dispense. The indicator light of button M5 and that of the selected caption remain lit. When the required amount has been dispensed, press the selected dispensing button again so that the control unit stores the data. Repeat the above procedure for all 4 dispensing buttons on the push button panel. A dispensed quantity may also be set for the hot water button (M6) by repeating the above procedure. Upon completion of the procedure, the remaining groups will automatically use the stored quantity. The other groups may, however, be programmed independently by repeating the same procedure as above after having programmed the first group on the left.
- b) There are 2 safety systems inside the control unit designed to protect the electronic system and the various parts of the appliance. If, upon pressing a dispensing button, the corresponding indicator light starts blinking, this indicates a malfunction in the electronic system or lack of water. For safety reasons, the dispensing of water stops after 4 minutes and in any case after 4 litres of water.
- c) The ZOE COMPETITION SED electronics also offers the possibility of reproducing the pre-brewing effect by wetting the coffee for 0.6 seconds and then stopping the subsequent brewing from starting for 1.2 seconds. This option is only applicable for single shots of coffee.

5.7 TO ENABLE PRE-BREWING

With the appliance switched off, put the on/off switch (D) to position 1 and at the same time keep the button (M1) on the left-hand group pressed until the indicator light corresponding to the button (M5) remains lit; then release the button (M1). Now put the on/off switch (D) to position 0 and then to position 2 in order to store the operation.

5.8 TO DISABLE PRE-BREWING

With the appliance switched off, put the on/off switch (D) to position 1 and at the same time keep the button (M2) on the left-hand group pressed until the indicator light corresponding to the button (M5) remains lit; then release the button (M2). Now switch the appliance off and then on again using the on/off switch (D) in order to store the operation.

6. CLEANING AND MAINTENANCE

6.1 GENERAL CLEANING WARNINGS

The following is prohibited:

- Cleaning the machine with water jets;
- Using alcohol or ammonia based detergents or abrasive pads to clean the machine. USE detergents specifically for cleaning coffee machines or crockery only.
- Care must be taken when cleaning the machine and/or installation with detergents to avoid deterioration to components and the environment (more than 90% degradable).
- Clean all parts and components of the machine completely.
- Cleaning and user maintenance shall not be made by children without supervision.



IMPORTANT: All maintenance operations must be performed with the machine off and cold and with the main switch in the "O"

OFF position. Certain maintenance operations must be performed while the machine is in operation and exercising great care



IMPORTANT: To regenerate or service the water softener, follow the instructions in the relative manual.

6.2 ROUTINE MAINTENANCE

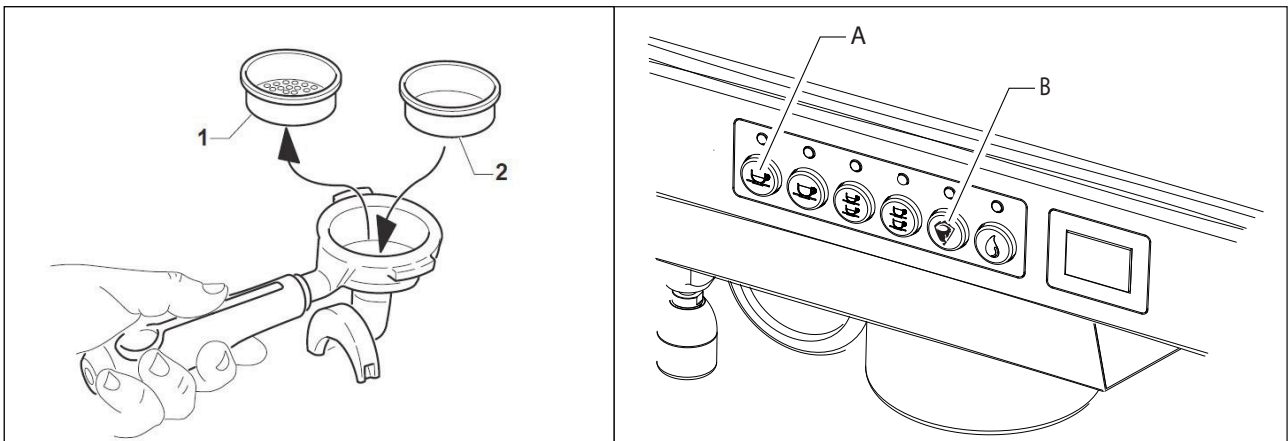
Routine maintenance includes all operations which must be performed daily after using the machine.

Automatic washing of the groups



IMPORTANT: Automatic washing of the groups is carried out with the coffee machine in operation.

- Remove and empty the portafilter.



- Remove the filter (1), insert the blind filter (2) and add specific detergent for coffee machines. For quantities, follow the instructions on the detergent pack.
- Replace the portafilter on the machine and press buttons (A) and (B) on the group together. The washing cycle starts automatically and the LEDs on buttons (A) and (B) flash.
- At the end of washing, the LEDs on buttons (A) and (B) go off.
- Remove the portafilter and empty the dirt contained in the blind filter by rinsing under running water.
- Put the filter back in the group and repeat the washing cycle without detergent in the blind filter. This rinses the machine.

At the end of rinsing, remove the portafilter, replace the blind filter with the normal filter and deliver a coffee to eliminate possible unpleasant tastes.



IMPORTANT: The washing procedure must be performed for all groups on the machine.

Daily cleaning

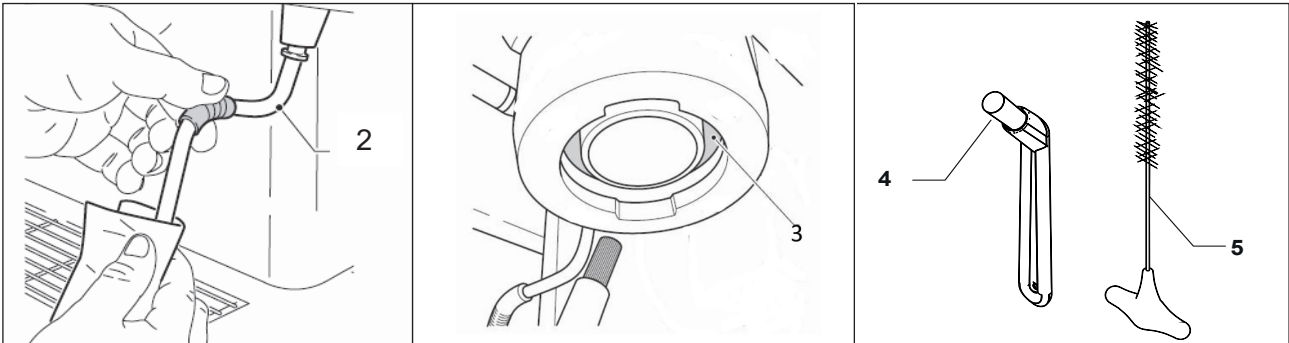


IMPORTANT: NEVER use corrosive or abrasive detergents; use detergent specifically for cleaning coffee machines or crockery

only. NEVER use water jets to clean the machine.

To clean, proceed as follows:

- Remove and empty the portafilters.
- Remove the filters from the portafilters and immerse both in a basin containing specific detergent, leaving them to soak while the machine is inactive.
- Remove the grille and wash with running water and specific detergent.
- After washing, dry thoroughly with a soft cloth, then put back in the machine
- Check there are no encrustations on the steam wands (2), if necessary clean with specific detergents.



- Clean the bottom of the group with detergent and clean the gasket with a soft bristled brush (3).
- Wipe the outside of the machine with a damp cloth. Clean the external parts of the machine using a damp cloth in order to eliminate any residues.
- The brush or bottle brush provided can be used to clean the areas that are not easy to reach with the damp cloth
- The softener should be periodically regenerated according to the manufacturer's directions given in the instruction booklet.



6.3 SCHEDULED MAINTENANCE (TECHNICIAN)

Scheduled maintenance includes all the operations which must be carried out at regular intervals to guarantee correct operation of the machine



IMPORTANT: All maintenance operations must be performed with the machine off and cold and with the main switch in the "O" OFF position. Certain maintenance operations must be performed while the machine is in operation and exercising great care.



6.4 EXCEPTIONAL MAINTENANCE (TECHNICIAN)

Exceptional maintenance includes all the operations carried out when necessary, for example, to replace worn or broken components.

7. TROUBLESHOOTING

Below is a list of faults and malfunctions which could arise while using the machine.
For all problems not included in this table, contact technical assistance.

PROBLEMI	CAUSE	SOLUZIONI
Water is not dispensed by the unit	The water mains tap or the impurity filter taps are closed.	Open the taps.
	The water intake fitting filter is clogged.	Remove and clean. Check regeneration of the impurity filter resin
	Clogged nozzle	Call the technical service
The boiler is not heating	Main switch set to "1"	Turn the main switch to "2"
Insufficient use of coffee	The grain size of ground coffee is not correct (exceedingly fine or coarse size)	Check the dispensing time and/or adjust grinding
	Partially clogged head and filters	Call the technical service
The water and steam taps are leaking even when the relevant taps are closed	Faulty sealing gasket or presence of a foreign body in the seat of the seal	Call the technical service
Water or steam are leaking under the knobs of the taps when opening	Faulty tap spindle gaskets	Call the technical service
Coffee overflows from the edges of the filter holder	Dirt residues are present in the seat of the filter holder, preventing coffee from flowing through the spout	Clean
	Unit gasket worn out	Replace
	Clogged heads	Clean or replace
Coffee is too cold	Machine not ready	Wait for the temperature to be reached

PROBLEMI	CAUSE	SOLUZIONI
Coffee is not dispensed or is dispensed too slowly	Insufficient water supply Clogged filter holder dispensing hole. Excessively fine grinding	Check the supply line Clean the filter holder thoroughly with specific detergent and using a toothpick Adjust the grinder/dosing device
The machine does not dispense steam	Clogged dispensing nozzle Clogged dispensing ducts Faulty steam tap	Clean Call the technician to perform a calcium-removing cleaning Call the technical service
The machine does not dispense hot water	Supply tap closed Faulty dispensing solenoid valve Clogged dispensing ducts	Open the tap Call the technical service Call the technician to perform a calcium-removing cleaning

7.1 WARRANTY

Every purchased appliance (keep the receipt, invoice and delivery note) is covered by a statutory guarantee. This warranty envisages the replacement free of charge of parts that are shown to the service centre or manufacturer's satisfaction to be defective due to faulty materials or workmanship and providing that the appliance has not been misused or tampered with by unauthorised persons or persons using incorrect components or techniques. Any defective part shall be returned to the manufacturer.



IMPORTANT: never activate the pump without water. Excessive heat will damage the pump and no warranty replacement is granted in that case.

7.2 TECHNICAL ASSISTANCE AND SPARE PARTS



IMPORTANT: All problems other than those listed in the table at the end of chapter 7 require the intervention of a technical assistance service.

- For spare parts and all problems regarding the machine, contact an authorised dealer only.
- If repairs are required, use original spare parts only to guarantee that the machine's technical specifications remain unaltered over time.
- To order spare parts, follow the instructions in the spare parts catalogue.

8. SCRAPPING AND MATERIAL DISPOSAL

8.1 SCRAPPING THE MACHINE

To protect the environment, proceed in accordance with the regulations and standards in force in the country concerned.

Electrical equipment is marked with a crossed through wheelie bin symbol. This indicates that it was introduced onto the market after 13 August 2005 and must be disposed of separately. In light of the constituent substances and materials, inappropriate or illegal disposal of the equipment, or its improper use, may cause damage to persons and the environment.

Electrical waste disposal which does not comply with the regulations in force is punishable by administrative and penal sanctions.



IMPORTANT: For information on the disposal of harmful substances (lubricants, solvents, paints, etc.) please consult the following paragraph.



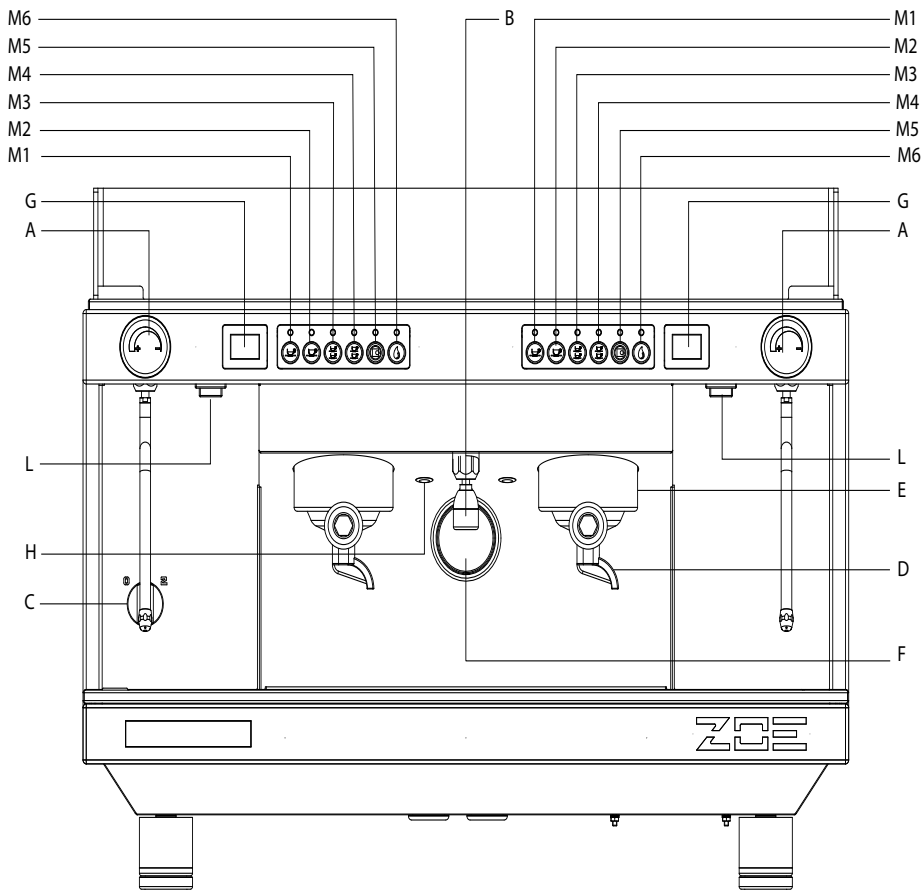
8.2 DISPOSAL OF HARMFUL SUBSTANCES

To dispose of these substances, consult the regulations in force in the country concerned and proceed accordingly



IMPORTANT: Any irregularities committed before, during or after scrapping and disposal of the machine's components and in interpreting and applying the regulations in force is the sole responsibility of the customer.

Model - ZOE COMPETITION SED



- A = Steam tap knob
- B = Water delivery
- C = Main switch
 - 0 = Off
 - 1 = Pump and automatism on
 - 2 = Pump, automatism and electric heating on
- D = Filter holder
- E = Filter holder insertion group
- F = Pump/ Boiler pressure gauge
- G = Shot timer display
- H = led lights
- L = Cup warmer switch
- M1 = Delivery of one short coffee
- M2 = Delivery of one long coffee
- M3 = Delivery of two short coffees
- M4 = Delivery of two long coffees
- M5 = Continuous delivery and settings button
- M6 = Hot water delivery

1. INDICE

1.SAUEGARDES	32
1.1 AVERTISSEMENT GÉNÉRAUX.....	32
1.2 NORMES DE RÉFÉRENCE	33
1.3 DESCRIPTION DES SYMBOLES.....	33
1.4 PRÉPARATION À LA CHARGE DE L'ACHETEUR	34
1.5 OPÉRATIONS D'URGENCE EN CAS D'INCENDIE	34
1.6 RISQUE D'EXPLOSION	34
1.7 NIVEAU DE PRESSION ACOUSTIQUE.....	35
1.8 VIBRATIONS	35
2.SÉCURITÉ	35
2.1 USAGE PRÉVU	35
2.2 USAGE INCORRECT.....	35
2.3 PLAQUES DE SÉCURITÉ	36
2.4 SÉCURITÉS	36
2.5 ZONE OPÉRATEUR.....	37
2.6 ZONES DE DANGER RÉSIDUEL.....	37
2.7 ZONES DANGEREUSES	37
3.DESCRPTION DE LA MACHINE.....	38
3.1 MODÈLE - ZOE COMPETITION SED - ZOE COMPETITION SED TALL.....	38
3.2 CARACTÉRISTIQUES TECHNIQUES.....	38
3.3 IDENTIFICATION DES COMPOSANTS.....	39
3.4 PLAQUE SIGNALÉTIQUE	39

4.INSTALLATION	40
4.1 RACCORDEMENT ÉLECTRIQUE	40
4.2 SCHÉMA DE MONTAGE DU CÂBLE D'ALIMENTATION	40
4.3 BRANCHEMENT HYDRAULIQUE.....	41
4.4 CONSEILS POUR UNE UTILISATION CORRECTE DES POMPES ROTATIVES	41
4.5 FILTRE IMPURETÉS	43
5.UTILISATION	44
5.1 CONTRÔLE PRÉLIMINAIRE	44
5.2 MONTAGE ET LAVAGE INITIAL.....	44
5.3 SORTIE EAU CHAUDE	44
5.4 SORTIE VAPEUR.....	44
5.5 SORTIE CAFÉ MOD. ZOE COMPETITION SED.....	44
5.6 PROGRAMMATION DOSES.....	45
5.7 POUR SÉLECTIONNER LA PRÉ-INFUSION	45
5.8 POUR EXCLURE LA PRÉ-INFUSION.....	45
6.NETTOYAGE ET ENTRETIEN	46
6.1 AVERTISSEMENT GÉNÉRAUX DE NETTOYAGE.....	46
6.2 ENTRETIEN ORDINAIRE	46
6.3 MAINTENANCE SELON LES BESOINS (TECHNIQUE).....	48
6.4 ENTRETIEN PONCTUEL (TECHNICIEN).....	48

7.DYSFONCTIONNEMENT CAUSES - SOLUTIONS..... 49

7.1 GARANTIE50

7.2 ASSISTANCE TECHNIQUE ET PIÈCES DE RECHANGE.....50

8.DÉMOLITION ET ÉLIMINATION..... 51

8.1 DÉMOLITION DE LA MACHINE51

8.2 ÉLIMINATION DES SUBSTANCES NOCIVES.....51

1. SAUVEGARDES

1.1 AVERTISSEMENT GÉNÉRAUX

- Ce manuel fait partie intégrante de la machine. Il doit être conservé soigneusement pour pouvoir être consulté ultérieurement. S'il est perdu et pour toute information supplémentaire, contacter le concessionnaire du secteur ou le fabricant.
- Avant de mettre la machine en marche, l'opérateur doit lire attentivement le présent manuel et bien connaître ses caractéristiques techniques et ses commandes.
- Avant d'installer la machine, vérifier que l'emplacement choisi est compatible avec ses dimensions d'encombrement et son poids.
- La machine n'est pas adaptée à une installation à l'extérieur, dans un lieu où on utilise des jets d'eau et où la température descend en dessous de 5°C.
- Ne pas installer la machine près d'une source de chaleur.
- Les enfants ne doivent pas jouer avec l'appareil.
- L'appareil ne doit pas être confié à des enfants de moins de 8 ans ni à des personnes ayant des capacités physiques, sensorielles ou mentales réduites, inexpérimentées et sans formation, sauf si elles sont sous la surveillance d'un responsable ou si elles ont reçu des instructions leur permettant de l'utiliser sans danger.
- Ne pas utiliser l'appareil avec les mains mouillées ou pieds nus.
- Ne pas permettre à du personnel non agréé et non qualifié de mettre en fonction, de régler ou de réparer la machine.
- Le personnel technique autorisé et qualifié doit posséder les connaissances nécessaires concernant l'hygiène et la sécurité pour une correcte utilisation de l'appareil.
- Se référer à ce manuel pour les opérations à effectuer sur la machine.
- Avant le nettoyage et la maintenance de la machine ou pour enlever une protection, vérifier que l'interrupteur général est sur OFF (O) car l'alimentation électrique de la machine doit être sectionnée pendant l'intervention de l'opérateur.
- Le circuit électrique de l'acheteur doit être équipé d'un disjoncteur automatique en amont de l'interrupteur général de la machine ayant une distance d'ouverture entre les contacts conforme aux spécifications de coupure en cas de surtension de catégorie III et d'un circuit de mise à la terre conforme aux normes de prévention des accidents.
- Ne pas utiliser d'adaptateur, de prise multiple ni de rallonge.
- Ne pas utiliser la machine si le câble d'alimentation électrique est fissuré ou endommagé.
- Avant d'intervenir sur l'interrupteur général ou à proximité, couper la tension de la ligne à laquelle il est relié.
- Vérifier que les dispositifs de sécurité (protections, carters, microrupteurs, etc.) n'ont pas été modifiés et qu'ils fonctionnent parfaitement. Si nécessaire, les rétablir.
- Ne pas enlever les dispositifs de sécurité.
- Pour opérer en sécurité, utiliser exclusivement des outils adaptés et conformes aux réglementations nationales de sécurité.
- **RESPECTER SCRUPULEUSEMENT LES PLAQUETTES D'AVERTISSEMENT FIXÉES SUR LA MACHINE AVANT TOUTE OPÉRATION SUR ELLE OU À PROXIMITÉ.**
- L'utilisateur a l'obligation de remplacer les plaques signalétiques détériorées ou illisibles et d'en demander de nouvelles au service après-vente.
- En cas de dysfonctionnement de la machine ou de détérioration de ses composants, contacter le concessionnaire du secteur ou le fabricant.
- Il est strictement interdit d'utiliser la machine pour d'autres usages que ceux qui sont expressément prévus dans la documentation technique.
- La machine doit être utilisée de la manière, dans les temps et les lieux prévus par les normes

de bonne pratique, conformément aux directives en vigueur et à la législation sur la santé et la sécurité au travail en vigueur dans le pays d'utilisation.

- Le fabricant décline toute responsabilité concernant les accidents et les dommages causés aux personnes et aux biens suite à la non-observation des normes de sécurité et des instructions de ce manuel.
- Toute utilisation autre que celle qui est indiquée dans ce manuel doit être considérée comme impropre. Si ce manuel ne répond pas à certaines questions, contacter le concessionnaire du secteur ou le fabricant pour recevoir des conseils et trouver des solutions.
- **CES NORMES INTÈGRENT OU COMPLÈTENT LES NORMES DE SÉCURITÉ LOCALES EN VIGUEUR.**
- **EN CAS DE DOUTE, DEMANDER L'INTERVENTION D'UN TECHNICIEN SPÉCIALISÉ.**
- **LES MODIFICATIONS ÉLECTRIQUES, ÉLECTRONIQUES OU MÉCANIQUES EFFECTUÉES PAR L'UTILISATEUR ET LES NÉGLIGENCES DANS L'UTILISATION DE LA MACHINE EXONÈRENT LE FABRICANT DE TOUTE RESPONSABILITÉ ENVERS LES ORGANISMES CHARGÉS DE LA PRÉVENTION DES ACCIDENTS. L'UTILISATEUR DEVRA EN RÉPONDRE SEUL.**

1.2 NORMES DE RÉFÉRENCE

La machine et ses dispositifs de sécurité ont été fabriqués conformément aux normes indiquées dans la déclaration de conformité.

1.3 DESCRIPTION DES SYMBOLES

De nombreux incidents sont dus à une connaissance insuffisante et à une mauvaise application des règles de sécurité à respecter pendant le fonctionnement et la maintenance de la machine.

Pour éviter les accidents lire, comprendre et respecter les consignes de sécurité et les avertissements de ce manuel et ceux des plaques appliquées sur la machine.

Les symboles suivants permettent de repérer les messages de sécurité dans le manuel.



Danger dérivant de l'électricité.



Danger générique ou informations variées.



Danger de brûlures!



Danger pour dommages à la machine.

Pour identifier les opérations qui doivent être effectuées exclusivement par un technicien spécialisé, on a utilisé le symbole suivant :



1.4 PRÉPARATION À LA CHARGE DE L'ACHETEUR

a) Préparation du local d'installation

- L'acheteur doit préparer une surface de support pour la machine en suivant les indications du chapitre installation.

b) Préparation électrique

- L'installation électrique doit être conforme aux normes nationales en vigueur dans le lieu d'installation et reliée à un circuit de mise à la terre efficace.
- Positionner sur la ligne d'alimentation en amont de la machine un dispositif omnipolaire de coupure.



Les câbles d'alimentation électriques doivent être adaptés au courant maximal de la machine de façon à ce que la chute de tension totale à pleine charge soit inférieure à 2 %.

c) Préparation du circuit d'eau

- Préparer un système de vidange muni d'un siphon et un réseau d'alimentation distribuant de l'eau potable adoucie avec une vanne d'isolement en amont de la machine.

1.5 OPÉRATIONS D'URGENCE EN CAS D'INCENDIE

En cas d'incendie, couper la tension de la machine par l'interrupteur général.



Il est strictement interdit d'éteindre l'incendie avec de l'eau quand la machine est sous tension.

Éteindre l'incendie avec des extincteurs..

1.6 RISQUE D'EXPLOSION

La machine ne doit pas être utilisée dans un local où existe un risque d'explosion.

1.7 NIVEAU DE PRESSION ACOUSTIQUE

La machine a été fabriquée pour maintenir le niveau de pression acoustique continu équivalent pondéré A(dB) inférieur à 84 dB, incertitude de 2,5 dB

1.8 VIBRATIONS

La machine est équipée de pieds en caoutchouc antivibration. Pendant le fonctionnement normal, elle ne génère pas de vibrations dangereuses pour l'opérateur ou l'environnement.

2. SÉCURITÉ

2.1 USAGE PRÉVU

La machine à café a été étudiée et fabriquée uniquement pour produire du café expresso et préparer des boissons chaudes (thé, cappuccino, etc.) avec de l'eau chaude ou de la vapeur.

L'utilisation de la machine à café est réservée aux opérateurs professionnels ayant une connaissance suffisante des normes d'hygiène et de sécurité.

Une zone est prévue pour le préchauffage des tasses. Elle doit être utilisée uniquement dans ce but, tout autre usage doit être considéré comme impropre et dangereux.



Le fabricant décline toute responsabilité pour les dommages causés aux personnes et aux biens suite à un usage impropre de la machine.

2.2 USAGE INCORRECT

La machine à café a été étudiée et fabriquée exclusivement pour traiter des produits alimentaires et les utilisations suivantes sont interdites:

- utilisation de la machine par des opérateurs non professionnels;
- introduction d'autres liquides que de l'eau potable adoucie ayant une dureté maximale de 3/5 degrés français (60/85 ppn);
- réchauffement de boissons ou d'autres substances non alimentaires;
- introduction dans le porte-filtre de produits moulus autres que du café;
- positionnement sur le chauffe-tasses d'objets autres que des tasses;
- dépôts de récipients contenant des liquides sur le chauffe-tasses;
- obstruction des grilles d'aération par des chiffons ou d'autres objets;
- couverture du chauffe-tasses par des chiffons;
- contact des mains sur les zones de distribution;
- utilisation de la machine quand elle est très mouillée.



Bien que ce paragraphe donne une liste des usages incorrects raisonnablement prévisibles, l'utilisateur de la machine doit respecter les indications du paragraphe "Usage prévu".

2.3 PLAQUES DE SÉCURITÉ

Les zones dangereuses pour l'opérateur ou pour le technicien sont équipées de plaques d'avertissement illustrées par des pictogrammes explicatifs.



Les avertissements de sécurité imprimés sur les plaques doivent être scrupuleusement respectés par les opérateurs qui s'apprêtent à intervenir sur la machine. Le non-respect de ces indications dégage le fabricant de toute responsabilité concernant les dommages ou les accidents causés aux personnes et aux biens.

Danger tension



- Plaque positionnée sur toutes les zones sous tension. Ne pas exécuter d'opération quand la machine est sous tension.

Danger de brûlure



- Plaque positionnée en haut du chauffe-tasses et sur les groupes de distribution. Opérer avec prudence, danger de brûlure.

2.4 SÉCURITÉS

La machine à café est équipée de deux types de systèmes de sécurité :

- les sécurités mécaniques
- les sécurités électriques/électroniques

Sécurités mécaniques

Les sécurités mécaniques sont les suivantes :

- panneaux protégeant les composants électriques et électroniques et la chaudière, fixés par des vis;
- plan de travail équipé d'une grille et d'un bac de collecte des liquides;
- commandes situées en haut de la machine, au-dessus des zones de distribution;
- vanne de surpression installée sur la chaudière;
- vanne de non retour située sur le circuit d'eau.

Sécurités électriques et électroniques

Les sécurités électriques et électroniques sont les suivantes :

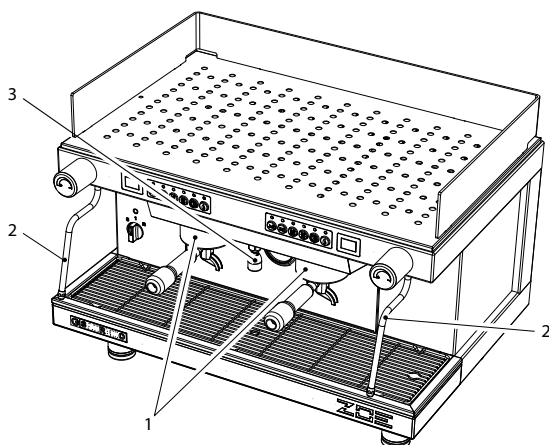
- sécurités thermiques de protection des moteurs;
- thermostats de sécurité pour le contrôle des sur températures.

2.5 ZONE OPÉRATEUR

La machine fonctionne avec un seul opérateur placé face à elle qui peut préparer facilement du café ou d'autres boissons chaudes.

2.6 ZONES DE DANGER RÉSIDUEL

Les zones de danger résiduel ne peuvent pas être protégées du fait des particularités de la production. Pour la machine à café, ces zones sont les suivantes :ù



- la zone (1) des groupes pendant l'écoulement du café;
- la zone (2) de la buse à vapeur pendant le réchauffement des boissons;
- la zone (3) de production d'eau chaude;



Ces trois zones présentent un risque de brûlure.

2.7 ZONES DANGEREUSES



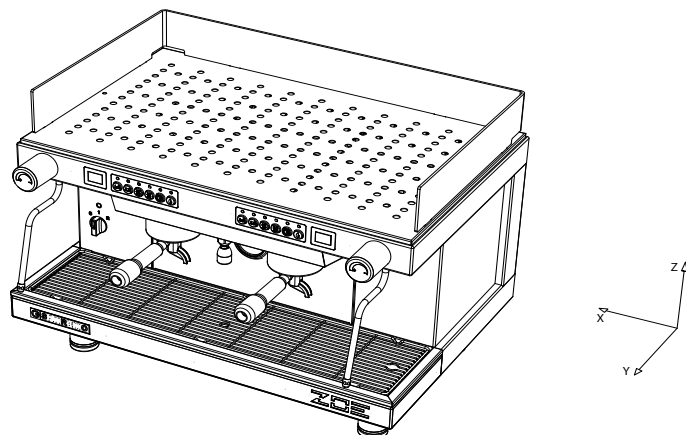
Les zones dangereuses sont situées dans la machine, sous les protections, là où le technicien intervient pour les réparations.

Ces zones sont de la compétence exclusive du technicien.

3. DESCRIPTION DE LA MACHINE

3.1 MODÈLE - ZOE COMPETITION SED - ZOE COMPETITION SED TALL

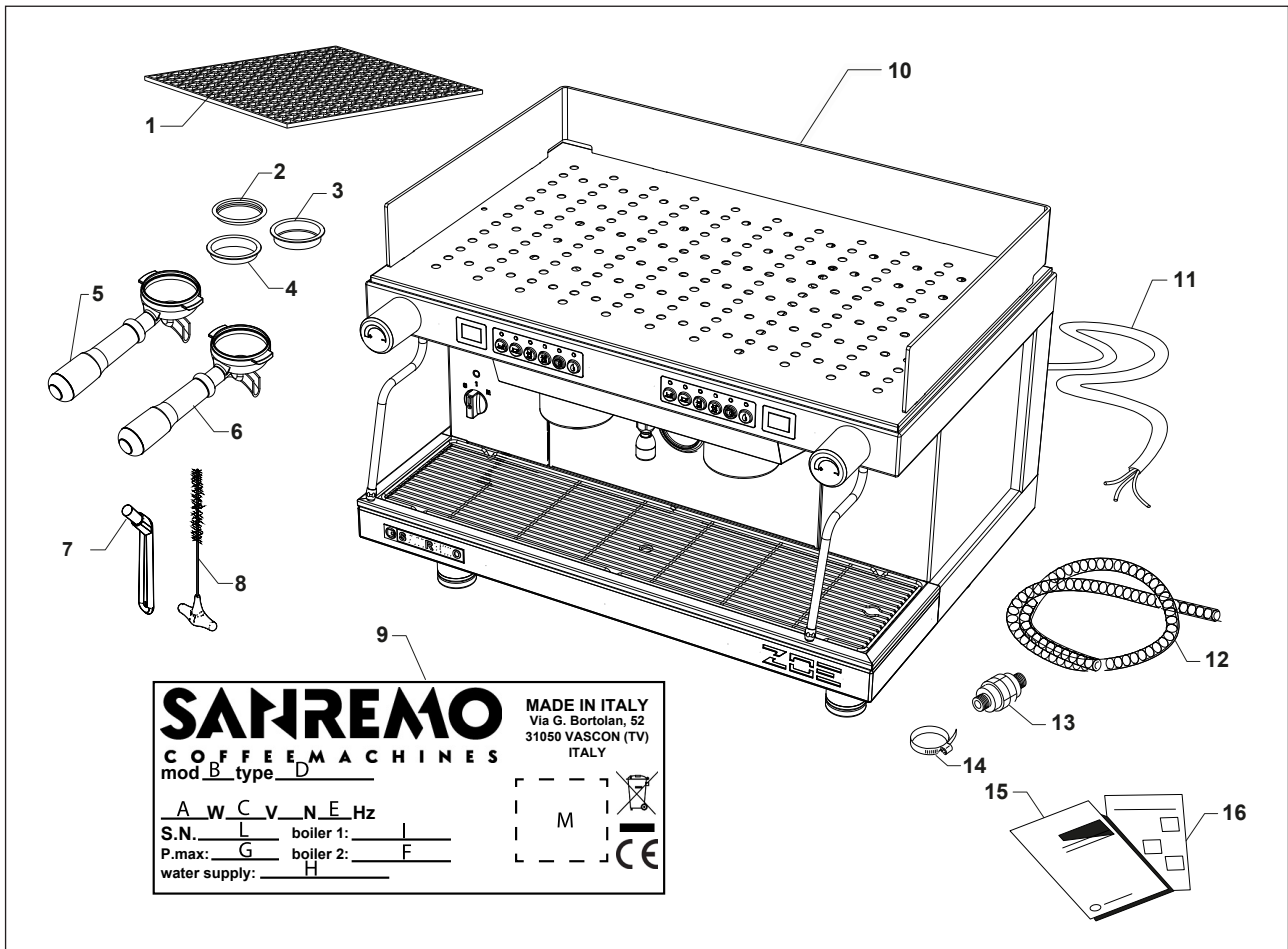
Modèle électronique géré par microprocesseur à dosage programmable via commandes spéciales à leds. Disponible dans les **versions 2, 3 groupes**.



3.2 CARACTÉRISTIQUES TECHNIQUES

GROUPES		1	2	2 TALL	3	3 TALL
Largeur (x)	mm/ inches	530 / 20,86	720 / 28,34	720 / 28,34	950 / 37,40	950 / 37,40
Profondeur (y)	mm/ inches	528 / 20,78	528 / 20,78	528 / 20,78	528	528
Hauteur (Z)	mm/ inches	537	537 / 21,14	601,5 / 23,7	537 / 21,14	601,5 / 23,7
Capacité	litri / US gal	4,5	10 / 2,64	10 / 2,64	14 / 3,7	14 / 3,7
Poids net	Kg	41	55	55	69	69
Poids brut	Kg	45	59	59	73	73
Tension d'alimentation	V	208-240	208-240	208-240	208-240	208-240
Puissance absorbée par la résistance (230 V)	kW	2,95/4,9	2,95/4,9	2,95/4,9	5,6	5,6
Puissance absorbée par la résistance chauffe-tasses (optional)	kW	0,2	0,2	0,2	0,2	0,2
Puissance absorbée par l'électropompe	kW	0,2	0,2	0,2	0,2	0,2
Puissance absorbée par l'électropompe externe (en option)	kW	,02	0,2	0,2	0,2	0,2
Puissance absorbée par les électrovannes	kW	0,0135	0,0225	0,0225	0,0315	0,0315
Pression de service chaudière	(Bar) MPa	(0,8-1) 0,08:0,1	(0,8-1) 0,08:0,1	(0,8-1) 0,08:0,1	(0,8-1) 0,08:0,1	(0,8-1) 0,08:0,1
Pression réseau d'eau (max)	(Bar) MPa	(6) 0,6	(6) 0,6	(6) 0,6	(6) 0,6	(6) 0,6
Pression de distribution café	(Bar) MPa	(8-9) 0,8/0,9	(8-9) 0,8/0,9	(8-9) 0,8/0,9	(8-9) 0,8/0,9	(8-9) 0,8/0,9

3.3 IDENTIFICATION DES COMPOSANTS



Légende

- 1.grille pour les tasses
- 2.filter borgne
- 3. filtre simple
- 4. filtre double
- 5.porte-filter simple
- 6.porte-filter double
- 7.brosse
- 8.cure-pipe
- 9.plaque d'identification
- 10.machine à café
- 11.câble d'alimentation électrique
- 12.tube de vidange
- 13.filtre a impuretés
- 14.collier
- 15.manuel d'instructions
- 16.déclaration de conformité

3.4 PLAQUE SIGNALÉTIQUE

- A. Puissance
- B. Modèle
- C. Tension d'alimentation
- D. Identification configuration de la machine
- E. Fréquence
- G. Pression pompe
- H. Pression du réseau
- I. Pression maximale chaudières
- L. N° de série
- M. Identification des certifications

4. INSTALLATION

Avant d'installer la machine, s'assurer que le voltage et la puissance du réseau correspondent aux données fournies sur le tableau des caractéristiques techniques. Sortir ensuite la machine de son emballage, l'installer à l'endroit voulu en s'assurant qu'elle soit stable et que l'espace à disposition soit suffisant pour permettre son fonctionnement.

Positionner la machine de façon à ce que la distance entre le sol et la grille supérieure ne soit pas inférieure 1,5 m.

Voir dessin ci-contre. Il est conseillé de vider et de remplir la chaudière plusieurs fois et de faire couler de l'eau claire et du café à jeter pour mieux nettoyer les conduits internes.

4.1 RACCORDEMENT ÉLECTRIQUE

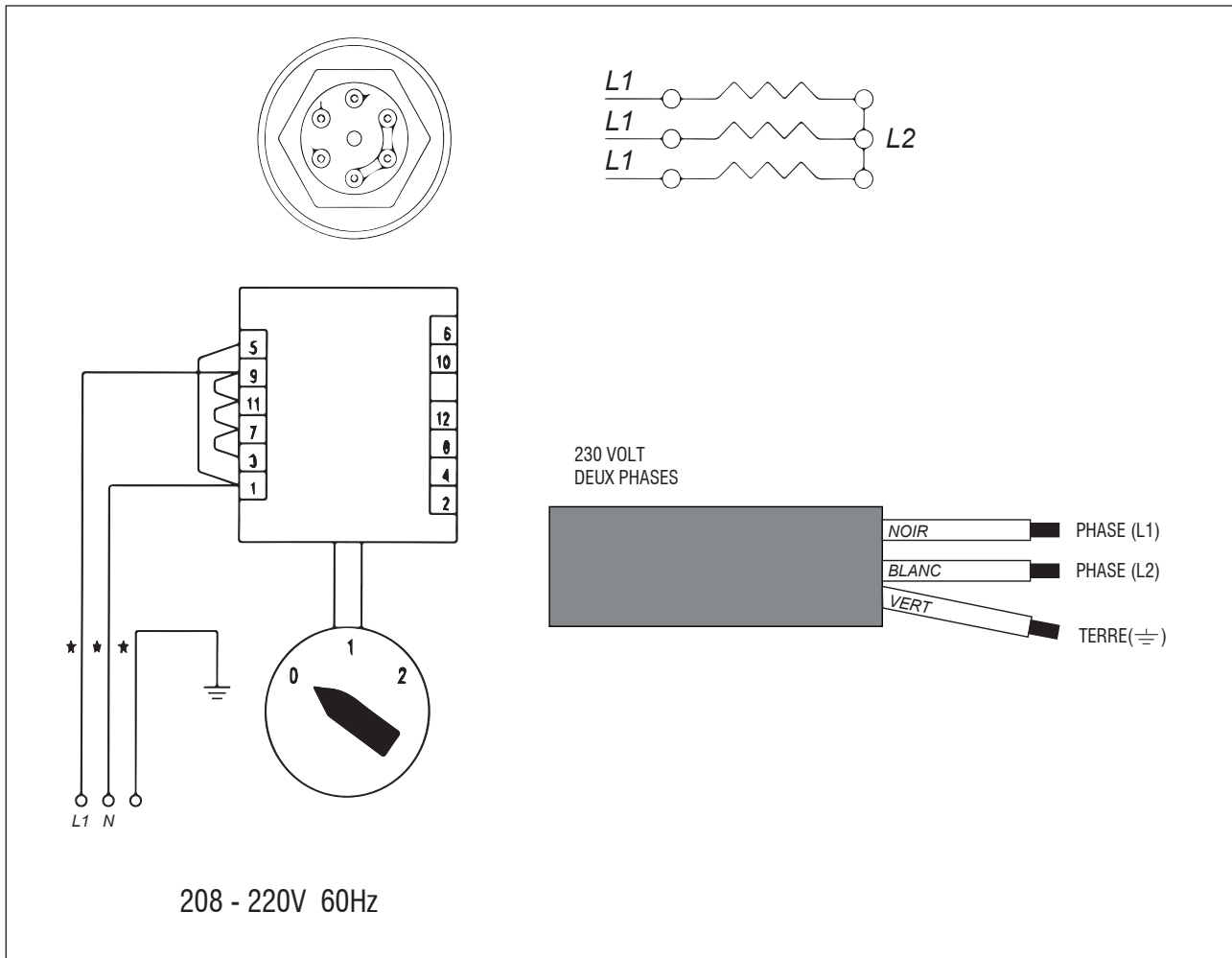
Brancher le câble d'alimentation au secteur, après avoir monté un interrupteur de protection ayant un débit approprié, dans l'ordre suivant: d'abord le câble de masse et ensuite les câbles de phase ; faire l'opération inverse pour les débrancher, c'est-à-dire d'abord les câbles de phase et ensuite celui de masse.

Il est recommandé de brancher la machine à une prise de terre efficace conformément à la réglementation en vigueur.

Pour le branchement direct sur secteur, il faudra prévoir un dispositif qui assure la déconnexion, avec une distance d'ouverture des contacts qui permette une déconnexion complète dans les conditions de catégorie de survoltage III, conformément aux règles d'installation.

N.B. S'ASSURER QUE LES DONNÉES DE LA PLAQUETTE CORRESPONDENT A LA LIGNE D'ALIMENTATION.

4.2 SCHÉMA DE MONTAGE DU CÂBLE D'ALIMENTATION



4.3 BRANCHEMENT HYDRAULIQUE

Au moment de l'installation, la chaudière et les échangeurs sont à sec, pour éviter qu'une éventuelle congélation n'endommage l'appareil.

- 1) Les machines doivent être alimentées uniquement avec de l'eau froide.
- 2) Si la pression du réseau est supérieure à 0,6 Mpa (6 bars), il est indispensable d'installer un réducteur de pression à régler en sortie sur un maximum de 0,6 Mpa (6 bars).
- 3) Branchez un tuyau de vidage sur la cuve en évitant les courbes trop étroites et en essayant de conserver une pente suffisante pour l'écoulement de l'eau de vidage.
- 4) Branchez un tuyau de chargement sur le réseau d'alimentation en eau, puis sur l'adoucisseur et sur la machine.

Pour le branchement sur le réseau d'alimentation en eau, il faudra respecter les éventuels règlements nationaux.

N.B. L'adoucisseur est un composant indispensable au bon fonctionnement de la machine, pour obtenir un rendement excellent du café dans la tasse et pour une longue durée des composants, car il permet de débarrasser l'eau du calcaire et des résidus qui pourraient compromettre la durée de vie de la machine.

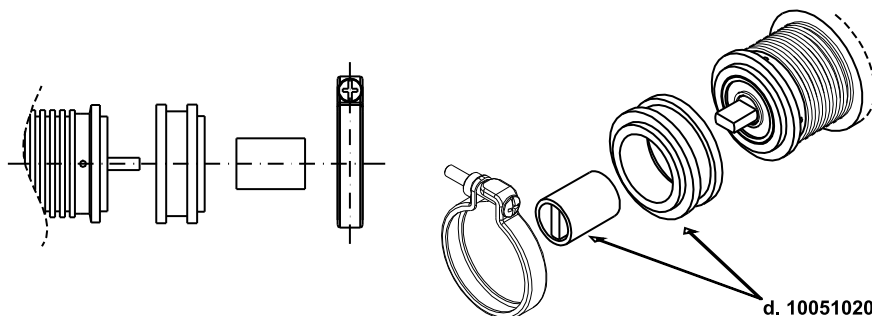
Le fabricant décline toute responsabilité en cas de non-respect des normes susmentionnées.

Avant de brancher le tube sur l'entrée de la pompe, ouvrez le robinet et laissez couler l'eau à travers l'adoucisseur pendant environ 2 min, pour chasser du circuit les éventuels résidus de saleté.

4.4 CONSEILS POUR UNE UTILISATION CORRECTE DES POMPES ROTATIVES

1) ALIGNEMENT CORRECT ENTRE POMPE ET MOTEUR

Le groupe peut devenir bruyant en cas d'alignement incorrect. En effet, lorsque le couplage des deux composants est rigide, il peut advenir que le rotor de la pompe et celui du moteur soient désaxés. Le dommage qu'une persistance de cette condition pourrait causer est le blocage de la pompe. Pour parer à ce problème, une solution efficace est celle d'interposer, entre la pompe avec fixation à collier et le moteur, un joint élastique. À ce propos, il existe le kit 48YZ repérable sous le code 3000240, disponible comme accessoire.



2) QUALITÉ DE L'EAU

Les tolérances de fabrication et les matériaux utilisés pour les pompes rotatives à palettes sont tels à imposer l'utilisation d'une eau autant que possible propre et sans particules en suspension. Bien souvent le sable, les dépôts de calcaire des tuyaux de raccordement ou les résines de l'adoucisseur provoquent, par leur passage à travers la pompe, des rayures sur les parties en graphite et, en conséquence, des problèmes de pression et de débit.

Nous conseillons, là où il n'est pas possible de garantir une eau propre à l'intérieur d'un circuit fermé, donc non susceptible d'être contaminé, d'interposer un filtre de 5 ou 10 microns (généralement avec cartouche à fil enveloppé par PP alimentaire) entre l'adoucisseur et la pompe.

Par ailleurs, il est important de garder le filtre propre. Le colmatage du filtre avant la pompe cause des cavitations et provoque de ce fait la rupture de la pompe en très peu de temps (voir point 4).

En cas d'utilisation d'un réservoir d'alimentation, il est conseillé de faire arriver le tuyau d'aspiration à quelque centimètre du fond, afin d'éviter d'aspirer des sédiments.

3) FONCTIONNEMENT À SEC

Les pompes rotatives à palettes peuvent fonctionner à sec seulement pendant un temps très court (quelques secondes). Un fonctionnement prolongé sans eau provoque l'endommagement du joint en raison du fait qu'il atteint une température très élevée parce qu'il n'est plus refroidi convenablement, ce qui peut être à l'origine de fuites importantes, visibles à travers les 4 petits trous de drainage situés à proximité du collier. S'il existe la possibilité d'un manque d'eau du réseau de distribution, l'installation d'un pressostat de pression minimum avant la pompe est préconisée. En cas d'utilisation d'un réservoir d'alimentation, il est conseillé de le doter d'un contrôle de niveau approprié.

4) CAVITATION

Cette situation apparaît lorsque le flux d'eau de l'alimentation n'est pas adapté aux caractéristiques de la pompe. Différents facteurs, tels que filtres colmatés, diamètre de la tuyauterie trop petit ou plusieurs points d'utilisation sur la même ligne, peuvent concourir à l'apparition de ce phénomène. L'ouverture de l'électrovanne de sécurité, si elle a été installée (placée généralement avant la pompe et les filtres), doit se déclencher avant le démarrage de la pompe, ceci pour éviter les cavitations. Dans ce même but, une fois que la pompe a terminé la distribution, la fermeture de l'électrovanne doit être retardée.

L'augmentation du bruit est l'indice révélateur le plus perceptible de ce phénomène. Si cette condition persiste, les conséquences sont comparables à celles provoquées par un fonctionnement à sec.

5) RETOUR D'EAU CHAUDE

Il se pourrait que le clapet anti-retour, prévu sur le circuit hydraulique de la machine entre la pompe et la chaudière, fasse défaut. Dans ce cas, la pompe pourrait rester en contact avec l'eau chaude (90/100°C) et s'endommager à cause des différentes dilations des matériaux employés; le blocage est la conséquence la plus fréquente.

6) RACCORDEMENTS INADÉQUATS

Les pompes peuvent avoir des raccords 3/8" NPT (coniques) ou GAZ (cylindriques). Il arrive parfois d'utiliser des manchons et des nipples avec filetages autres que ceux conseillés et, dans ce cas, pour assurer l'étanchéité d'un raccord disposant d'un nombre de filets insuffisant, on abuse alors de la pâte à joint ou du téflon. Donc, tenir compte du fait que si le raccord est forcé, il y a le risque de produire des copeaux, et si l'on utilise trop de pâte à joint, l'excédent pourrait s'insinuer dans la pompe, provoquant dans les deux cas des dommages.

7) COUPS DE BÉLIER

L'ouverture de l'électrovanne, si elle est prévue après le refoulement de la pompe, doit se déclencher avant le démarrage de la pompe, afin d'éviter les coups de bélier. Dans ce même but, une fois que la pompe a terminé la distribution, la fermeture de l'électrovanne doit être retardée.

Un coup de bélier peut provoquer la rupture des supports en graphite et endommager le

joint mécanique, entraînant ainsi le blocage de la pompe et des fuites de liquide.

8) MANIPULATION

Une chute accidentelle de la pompe peut causer des avaries et des déformations telles à compromettre les délicates tolérances internes. Pour cette raison, il est nécessaire de faire très attention au moment de la fixation de la pompe dans l'étau pour le montage et le démontage des raccords.

9) ENTARTRAGE

Dans le cas où l'eau pompée serait extrêmement calcaire et n'aurait pas été prétraitée par résines à échange ionique ou par d'autres systèmes efficaces, il est possible que des dépôts calcaires se forment à l'intérieur de la pompe.

L'utilisation du by-pass comme régulateur de débit accélère ce phénomène; ce processus est d'autant plus rapide que la circulation d'eau est importante.

Les dépôts calcaires peuvent provoquer graduellement le durcissement de la pompe et, dans certains cas, le blocage ou une diminution de la pression due à une modulation incorrecte du by-pass.

Pour limiter ce problème, il est conseillé d'utiliser des pompes avec débits adaptés au circuit hydraulique de la machine. Dans certains cas, il pourrait être utile d'effectuer régulièrement un traitement de désincrustation à l'aide d'acides spécifiques.

5. UTILISATION

5.1 CONTRÔLE PRÉLIMINAIRE

Avant d'utiliser la machine, s'assurer que:

- La prise d'alimentation soit branchée
- Le tuyau d'arrivée d'eau soit correctement raccordé au réseau, qu'il n'y ait pas de pertes et que le robinet d'eau soit ouvert.
- Le tuyau de décharge soit installé selon les instructions précédentes.

Le robinet vapeur (B) étant ouvert, mettez l'interrupteur général (D) sur 1 et attendez que l'eau dans la chaudière atteigne le niveau maximum prédéfini par le contrôle électronique ; si la chaudière ne se remplit pas dans les délais prévus (90 s) la pompe s'arrêtera et les leds des tableaux de commande commenceront à clignoter. Il est alors nécessaire de placer l'interrupteur général (D) en position 0 puis en position 1 pour finir de remplir la chaudière.

Placer ensuite l'interrupteur général (D) en position 2 de manière à ce que les résistances électriques commencent à chauffer l'eau.

Attendre que la vapeur commence à sortir du vaporisateur (B) puis fermer le robinet et contrôler, à l'aide du manomètre de la Chaudière, que la pression atteigne une valeur de 0,8:1 bar et s'y maintienne.

5.2 MONTAGE ET LAVAGE INITIAL

Actionner l'appareil pour boissons chaudes et le mener jusqu'à la condition nominale de fonctionnement, en le laissant statiquement dans la condition de « apte au fonctionnement » pendant 4 h (conditions nominales de température et pression de la chaudière : 120°C – 1 Bar). Après 4 h, effectuer des distributions depuis les groupes et la buse de distribution eau-té jusqu'au vidage de tout le circuit hydraulique de l'eau introduite de manière à éliminer toute impureté initiale.

Ensuite charger à nouveau l'appareil et le mener jusqu'aux conditions nominales de fonctionnement conformément aux instructions d'utilisation.

5.3 SORTIE EAU CHAUDE

Pour la sortie d'eau chaude ou de vapeur, il faut vérifier, sur l'indicateur de niveau d'eau (L), si la chau-dière est disponible.

S'assurer que le manomètre de la chaudière indique une pression de 0,5-1 bar.

Appuyer sur le bouton (M6) pour la distribution d'eau chaude et appuyer à nouveau sur ce bouton pour l'interrompre.

Il est rappelé de faire très attention afin d'éviter les brûlures.

5.4 SORTIE VAPEUR

Tous les modèles possèdent 2 vaporisateurs placés sur les côtés du plan de manœuvre à l'exception de la machine à un groupe qui n'en possède qu'un seul. Ces vaporisateurs sont escamotables et orientables puisqu'ils sont dotés d'une articulation sphérique. Pour la distribution de la vapeur, il suffit de tourner les boutons (B) dans le sens inverse des aiguilles d'une montre. Il est rappelé de faire très attention afin d'éviter les brûlures.

5.5 SORTIE CAFÉ MOD. ZOE COMPETITION SED

Insérez le porte-filtre (E) dans le siège prévu (F) en le tournant dans le sens inverse des aiguilles d'une montre. Sélectionnez sur le clavier (M) la légende correspondant à la sortie désirée :

M1 = un café court/normal.

M2 = un café normal/allongé.

M3 = deux cafés courts/normaux.

M4 = deux cafés normaux/allongés.

M5 = Touche programmation électronique ou sortie manuelle continue.

Pendant l'égorgation le display affiche le temps d'extraction total du café

5.6 PROGRAMMATION DOSES

- a) Pour accéder à cette phase, tenir pressée pendant plus de 5 secondes la touche M5 du premier groupe de gauche. Les led des touches M5 commenceront à clignoter sans interruption. Choisir la légende correspondant au dosage désiré et presser pour obtenir la distribution. La touche M5 et celle du dosage choisi resteront toutes les deux allumées. Une fois la dose désirée obtenue, presser de nouveau la touche de dosage choisie de façon à ce que la centrale puisse mémoriser les données. Répéter l'opération indiquée ci-dessus pour les 4 dosages du clavier à touches. Un dosage peut également être défini pour la touche de distribution d'eau chaude M6 en répétant l'opération susdite. A la fin de l'opération, le dosage mémorisé sera automatiquement utilisé également par les groupes restants. Après avoir programmé le premier groupe de gauche, il est possible de programmer indépendamment les autres groupes en répétant les mêmes opérations effectuées précédemment.
- b) La centrale est dotée de deux systèmes de sécurité servant à préserver le système électronique et les divers composants de la machine. Si le led clignote lorsque la touche correspondant à un dosage de café est pressée, cela indique une anomalie du système électronique ou un manque d'alimentation hydrique. Pour des motifs de sécurité, il est prévu que la distribution de l'eau ne dure que 4 minutes et ne dépasse pas, de toute manière, 4 litres d'eau.
- c) Le système électronique ZOE SED permet également de reproduire l'effet de pré-infusion en humectant pendant 0.6 secondes le café puis en bloquant ensuite l'infusion pendant 1.2 secondes. Cette option ne peut s'appliquer que pour les doses uniques.

5.7 POUR SÉLECTIONNER LA PRÉ-INFUSION

La machine étant éteinte, placer l'interrupteur général (D) en position 1 tout en tenant la touche (M1) pressée sur le groupe de gauche jusqu'à ce que le led correspondant à la touche (M5) s'éteigne ; arrêter alors de presser la touche (M1). Placer ensuite l'interrupteur général (D) sur la position 0 puis sur la position 2 pour mémoriser l'opération.

5.8 POUR EXCLURE LA PRÉ-INFUSION

La machine étant éteinte, placer l'interrupteur général (D) en position 1 tout en tenant la touche (M2) pressée sur le groupe de gauche jusqu'à ce que le led correspondant à la touche (M5) s'éteigne; arrêter alors de presser la touche (M2). Placer ensuite l'interrupteur général (D) sur la position 0 pour mémoriser l'opération.

6. NETTOYAGE ET ENTRETIEN

6.1 AVERTISSEMENT GÉNÉRAUX DE NETTOYAGE

Il est interdit :

- d'utiliser un jet d'eau pour nettoyer la machine;
- d'utiliser des détergents contenant de l'alcool, de l'ammoniaque ou des éponges abrasives pour nettoyer la machine. UTILISER uniquement des détergents spécifiques pour machine à café ou lave-vaisselle.
- Les détergents chimiques doivent être utilisés avec précaution pour nettoyer la machine et le circuit car ils peuvent détériorer les composants et polluer l'environnement (dégradabilité supérieure à 90 %).
- Nettoyer complètement les pièces et les composants de la machine.
- Le nettoyage et l'entretien qui incombent à l'utilisateur ne doivent pas être confiés à des enfants sans surveillance.



DANGER: Les opérations d'entretien doivent être exécutées sur la machine éteinte et froide, avec l'interrupteur général sur OFF. Procéder avec la plus grande prudence aux opérations d'entretien qui doivent être exécutées sur la machine en marche.



IMPORTANT: pour les opérations de régénération et d'entretien du décalcificateur, suivre les indications du manuel.

6.2 ENTRETIEN ORDINAIRE

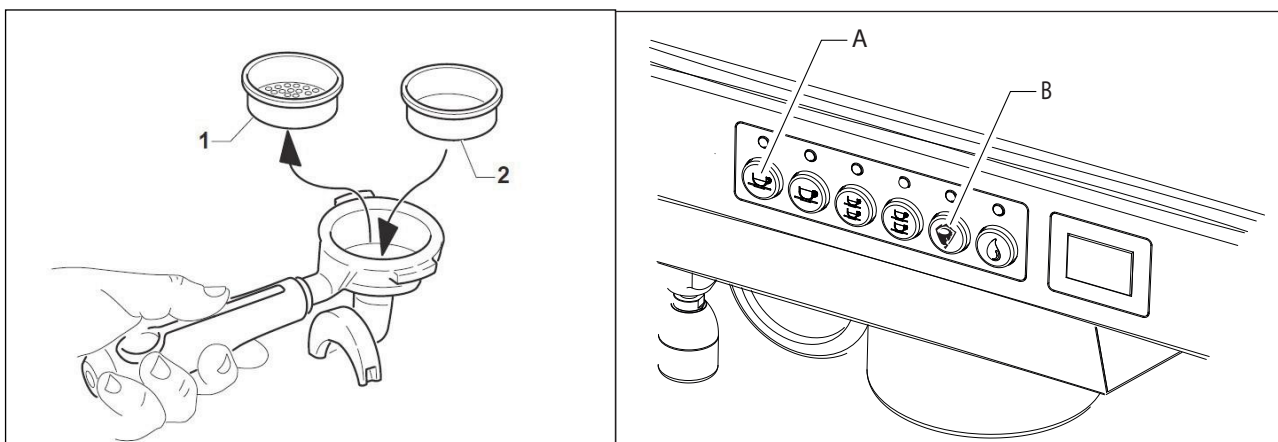
La maintenance ordinaire regroupe toutes les interventions qui doivent avoir lieu quotidiennement sur la machine à la fin du service.

Lavage automatique des groupes



IMPORTANT: Le lavage automatique des groupes doit être exécuté sur la machine à café en marche.

- Décrocher le porte-filtre et le vider.
- Enlever le filtre (1) et le remplacer par le filtre borgne (2). Y verser un détergent spécial pour machines à café. Respecter les doses préconisées sur l'emballage.



- Remonter le porte-filtre dans la machine et presser en même temps la touche (A) et (B) du groupe ; le cycle de lavage commencera automatiquement, la led des touches (A) et (B) s'éclaire en clignotant.
- À la fin du lavage les leds des touches (A) et (B) s'éteignent.
- Détacher le porte-filtre et vider le contenu dans le filtre borgne, le laver à l'eau courante
- Remettre le filtre dans le groupe, entrer dans la programmation et répéter la phase de lavage sans mettre de détergent dans le filtre borgne. Le rinçage est terminé.
- Après le rinçage, démonter et enlever le porte-filtre, remplacer le filtre borgne par un filtre normal et éliminer le premier café qui pourrait avoir un goût désagréable



IMPORTANT : le lavage des groupes doit avoir lieu pour tous les groupes qui composent la machine.

Nettoyage quotidien de la machine



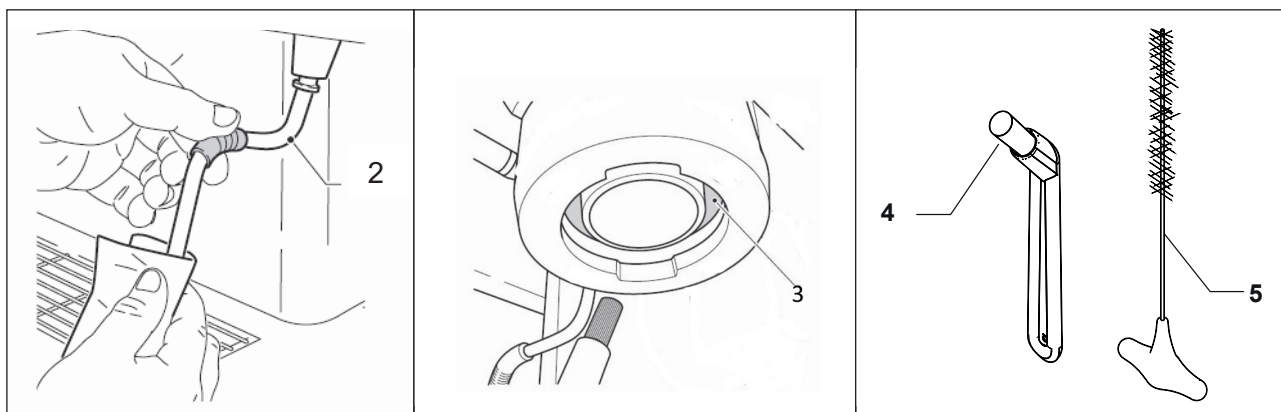
ATTENTION: NE PAS utiliser de détergents corrosifs ou abrasifs mais uniquement des détergents spécifiques pour machines à café ou lave-vaisselle.

NE PAS nettoyer la machine au jet d'eau.

Pour le nettoyage, procéder de la façon suivante.

- Décrocher le porte-filtre et le vider.
- Sortir les filtres du porte-filtre et les plonger dans une bassine contenant un détergent spécifique, les laisser tremper pendant tout le temps où la machine n'est pas utilisée
- Enlever la grille, la soulever pour la sortir des fentes latérales et la laver à l'eau courante avec un détergent spécifique.
- La sécher complètement avec un chiffon souple et la remonter.
- Vérifier que les buses à vapeur (2) ne sont pas encrassées, si nécessaire les nettoyer avec un détergent spécial.

- Prendre une éponge pour nettoyer le bas du groupe et une brosse à soies souples pour nettoyer la garniture (3).



- Nettoyer l'extérieur de la machine avec un chiffon humidifié à l'eau.
- Pour nettoyer les zones difficiles d'accès avec un chiffon humide, il est également possible d'utiliser la brosse ou l'écouvillon fournis en dotation.
- L'adoucisseur doit être régulièrement régénéré. Se référer pour ce faire au mode d'emploi établi par le constructeur et fourni dans le livret d'instructions.



6.3 MAINTENANCE SELON LES BESOINS (TECHNIQUE)

Liste de quelques opérations qui doivent avoir lieu le cas échéant, par exemple, pour remplacer un composant usagé ou cassé



IMPORTANT: Toutes les opérations de maintenance programmées doivent être exécutées par le service après-vente. Il est conseillé de signer un contrat d'entretien avec le service après-vente local pour tous les problèmes qui pourraient se présenter pendant l'utilisation de la machine.



6.4 ENTRETIEN PONCTUEL (TECHNICIEN)

Liste des opérations qui doivent être exécutées selon les besoins, notamment le remplacement d'un composant usé ou cassé.

7. DYSFONCTIONNEMENT CAUSES - SOLUTIONS

Le paragraphe suivant présente quelques problèmes qui peuvent survenir pendant l'utilisation de la machine. Pour tous les problèmes qui ne figurent pas dans le tableau, s'adresser au service après-vente.

PROBLÈMES	CAUSES	SOLUTIONS
Pas d'eau distribuée par le groupe	Les robinets principaux de l'eau ou de filtre purificateur sont fermés.	Ouvrir le robinet
	Le filtre sur la prise d'eau du filtre est bouché.	L'enlever et le nettoyer Vérifier la régénération du filtre de purification de l'eau
	Gigleur bouché	Appeler l'assistance technique
la chaudière ne chauffe pas	Commutateur général tourné à la position "1"	Tourner l'interrupteur principal en position « 2 »
Café utilisé insuffisant	Le café moulu est trop fin ou trop gros	Vérifier le temps de moulage et/ou fixer la grosseur du café moulu
	Rideau de douche et filtre partialement bouché	Appeler l'assistance technique
La buse à vapeur perte avec le robinet fermé	Joint défectueux	Appeler l'assistance technique
Fuit du vapeur à partir du bas du robinet si ouvert	Joint du robinet défectueux	Appeler l'assistance technique
Le café coule des côtés du porte-filtres	Saleté dans le porte-filtre qui empêche la distribution du café du bec	Nettoyer
	Joint du groupe usé	Remplacer
	Rideau de douche bouché	Nettoyer ou remplacer
Le café est trop froid	La machine n'est pas prête	Attendre que la température est rajouté
Le café est distribué trop lentement ou il n'est pas distribué	Niveau de l'eau insuffisant	Vérifier le niveau de l'eau
	Trou du porte-filtre bloqué	Nettoyer à fond le porte-filtre avec un détergent spécifique ou un cure-dents
	Café moulu trop fin	Fixer le moulin-doseur

PROBLÈMES	CAUSES	SOLUTIONS
Le vapeur n'est pas distribué	Injecteur de distribution obstrué	Nettoyer
	Circuit de distribution bouché	Appeler un technicien pur détartrer la machine
	Robinet à vapeur défectueux	Appeler l'assistance technique
L'eau n'est pas distribuée	Robinet de l'eau fermé	Ouvrir le robinet
	Électrovanne de distribution défectueux	Appeler l'assistance technique
	Circuit de distribution bouché	Appeler un technicien pur détartrer la machine

7.1 GARANTIE

Chaque machine achetée (conserver le ticket de caisse, la facture, le bulletin de livraison) est obligatoirement couverte par une garantie : celle-ci prévoit le remplacement gratuit des parties présentant des défauts de fabrication, certifiés par le service d'assistance ou le Fabricant, à condition que la machine n'ait pas été utilisée de manière impropre ou n'ait pas subi de modifications apportées par des personnes non autorisées ou de toute manière en utilisant des composants ou des techniques non appropriés. Les parties éventuellement défectueuses doivent être retournées au Fabricant.



IMPORTANT: Il est recommandé de ne jamais faire fonctionner la pompe de remplissage à sec (c'est-à-dire sans eau) pour éviter de la surchauffer et donc de l'abîmer, ce qui entraîne la déchéance de la garantie. La pompe n'est pas remplacée sous garantie en cas d'usage anormal.

7.2 ASSISTANCE TECHNIQUE ET PIÈCES DE RECHANGE



IMPORTANT : n'importe quel inconvénient ne faisant pas partie de ceux qui sont inclus sur le tableau au fond du chapitre 20 a besoin de l'intervention du centre d'assistance technique.

- Pour les problèmes sur la machine et les demandes de pièces détachées, s'adresser exclusivement au service après-vente agréé.
- Pour les réparations, utiliser exclusivement des pièces détachées d'origine : la machine conservera longtemps ses performances techniques.
- Pour commander des pièces détachées, suivre les indications du catalogue.



8. DÉMOLITION ET ÉLIMINATION

8.1 DÉMOLITION DE LA MACHINE

Pour sauvegarder l'environnement, procéder selon la réglementation locale en vigueur. Quand l'appareil ne peut plus être utilisé, procéder à la collecte sélective des composants. La collecte inappropriée ou abusive des appareils ou un usage impropre de ces derniers, compte tenu des substances et des matériaux contenus, peut provoquer des préjudices aux personnes et à l'environnement. Le collecte des déchets électriques qui ne respecte pas les normes en vigueur comporte l'application de sanctions administratives et pénales.



IMPORTANT: En ce qui concerne l'élimination des substances nocives (lubrifiants, solvants, etc.), voir le paragraphe suivant.

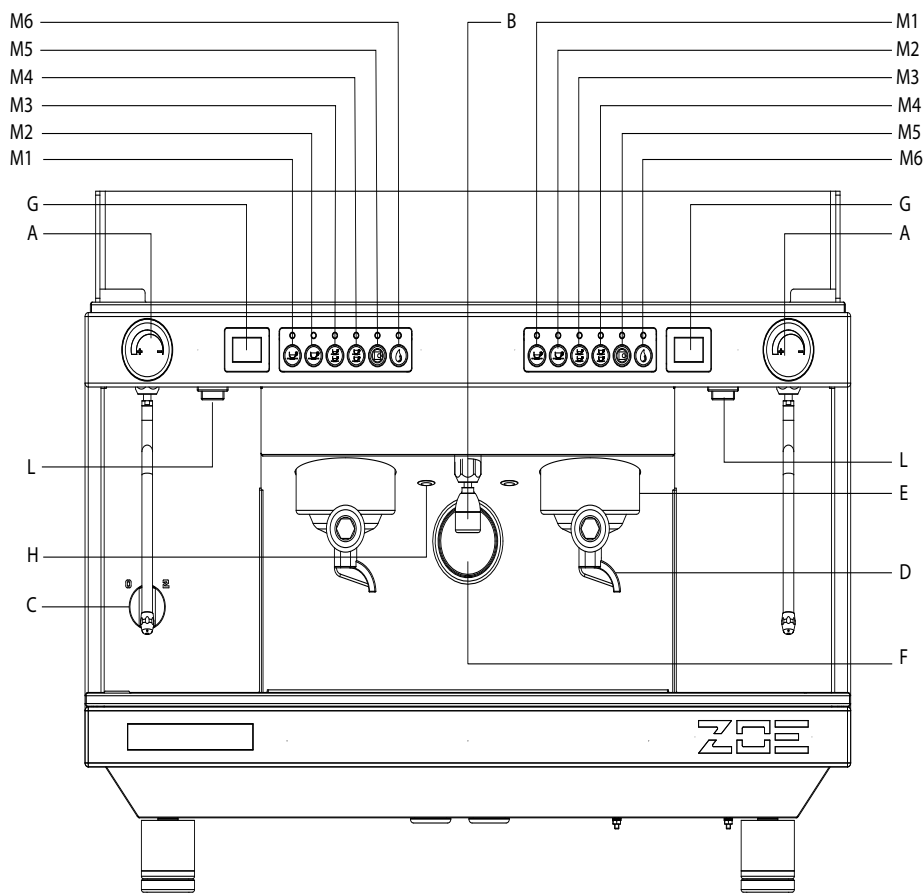
8.2 ÉLIMINATION DES SUBSTANCES NOCIVES

Pour éliminer ces substances, se référer aux prescriptions des Normes en vigueur dans chaque pays et agir en conséquence.



IMPORTANT: Toute irrégularité commise par le client avant, pendant ou après la mise au rebut et l'élimination des composants de la machine, ou encore dans l'interprétation et l'application des Normes en vigueur en la matière, relève de la seule responsabilité de ce dernier.

Modèle - ZOE COMPETITION SED



- A = Bouton robinet vapeur
- B = Sortie eau
- C = Interrupteur général
 - 0 = éteint
 - 1 = Mise en marche pompe et automatismes
 - 2 = Mise en marche pompe, automatismes et chauffage électrique
- D = Porte filtre
- E = Groupe insertion porte filtre
- F = Manomètre pression pompe/ chaudière
- G = Display chronomètre
- H = LED
- L = Interrupteur pour chauffe- tasses (option)
- M1 = Sortie d'une dose courte de café
- M2 = Sortie d'une dose longue de café
- M3 = Sortie de deux doses courtes de café
- M4 = Sortie de deux doses longue de café
- M5 = Sortie continue et touche de programmation
- M6 = Sortie eau chaude

Think
about
it!

SANREMO s.r.l.
Via Bortolan, 52
31050 Vascon di Carbonera (TV)
ITALIA
tel. +39 0422 448900
fax +39 0422 448935
p.iva /c.f. 03239750262
www.sanremomachines.com
info@sanremomachines.com