



Catalogo ricambi
Spare parts catalogue

CUBE V
CUBE R

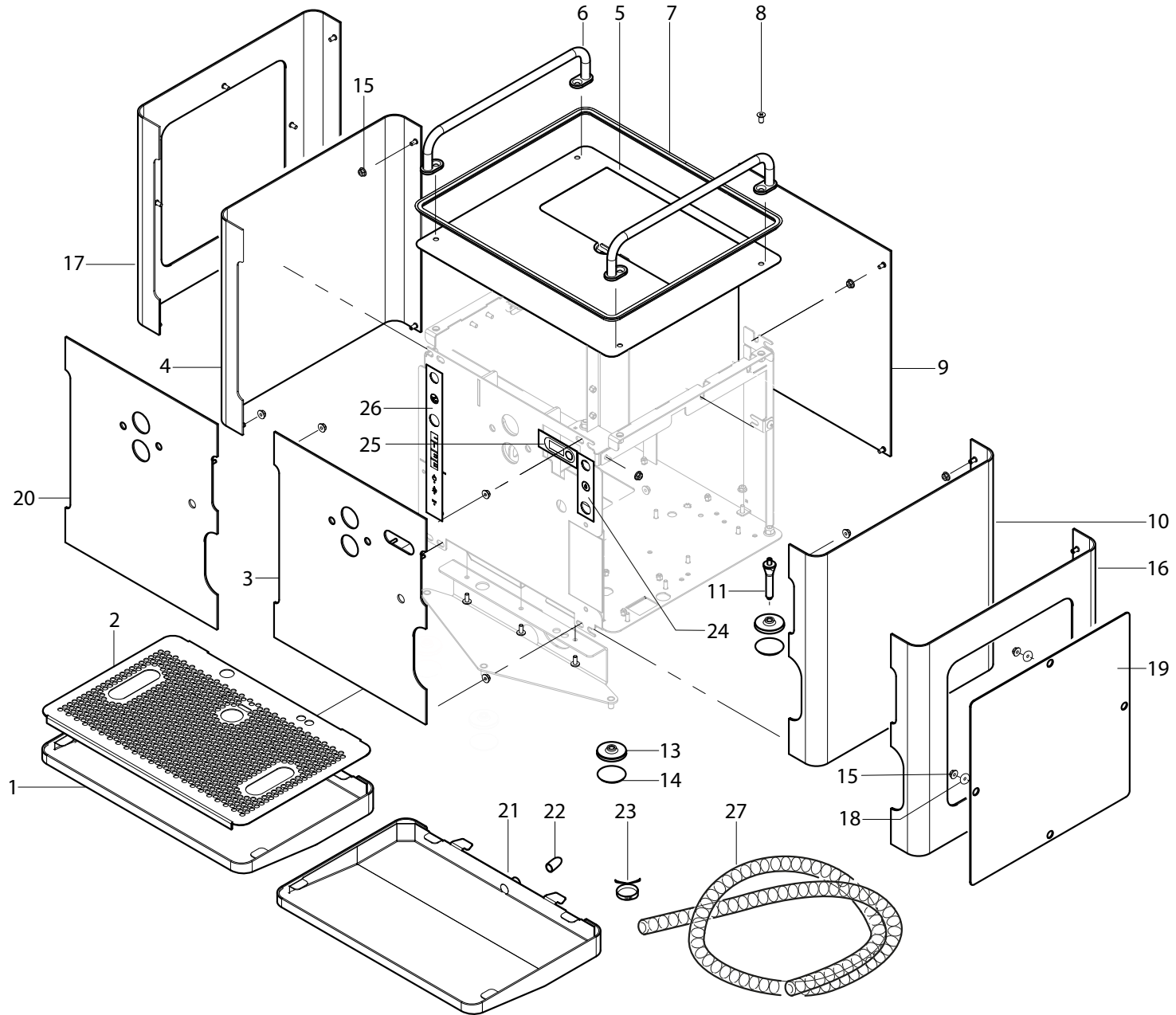
SANREMO coffee machines s.r.l.
Via Bortolan, 52 - 31050 Vascon di Carbonera (Treviso) ITALY
Tel. +39.0422.498900 - Fax. +39.0422.448935
www.sanremomachines.com - E-mail: info@sanremomachines.com

Cod. 83011001 - Agg.01/2022



TAV. / DRAW. 1	CARROZZERIA / BODY	Pag. 4
TAV. / DRAW. 2	CARICO CALDAIA / BOILER LOAD	Pag. 10
TAV. / DRAW. 3	VAPORE - ACQUA / STEAM - WATER	Pag. 12
TAV. / DRAW. 4	CALDAIE / BOILERS	Pag. 14
TAV. / DRAW. 5	FONDO TELAIO / BOTTOM CHASSIS	Pag. 16
TAV. / DRAW.6	ELETTRICO - POMPE / ELECTRIC - PUMPS	Pag. 18
TAV. / DRAW.7	SERBATOIO / TANK	Pag. 22
TAV. / DRAW.8	ACCESSORI / ACCESSORIES	Pag.24

CARROZZERIA / BODY

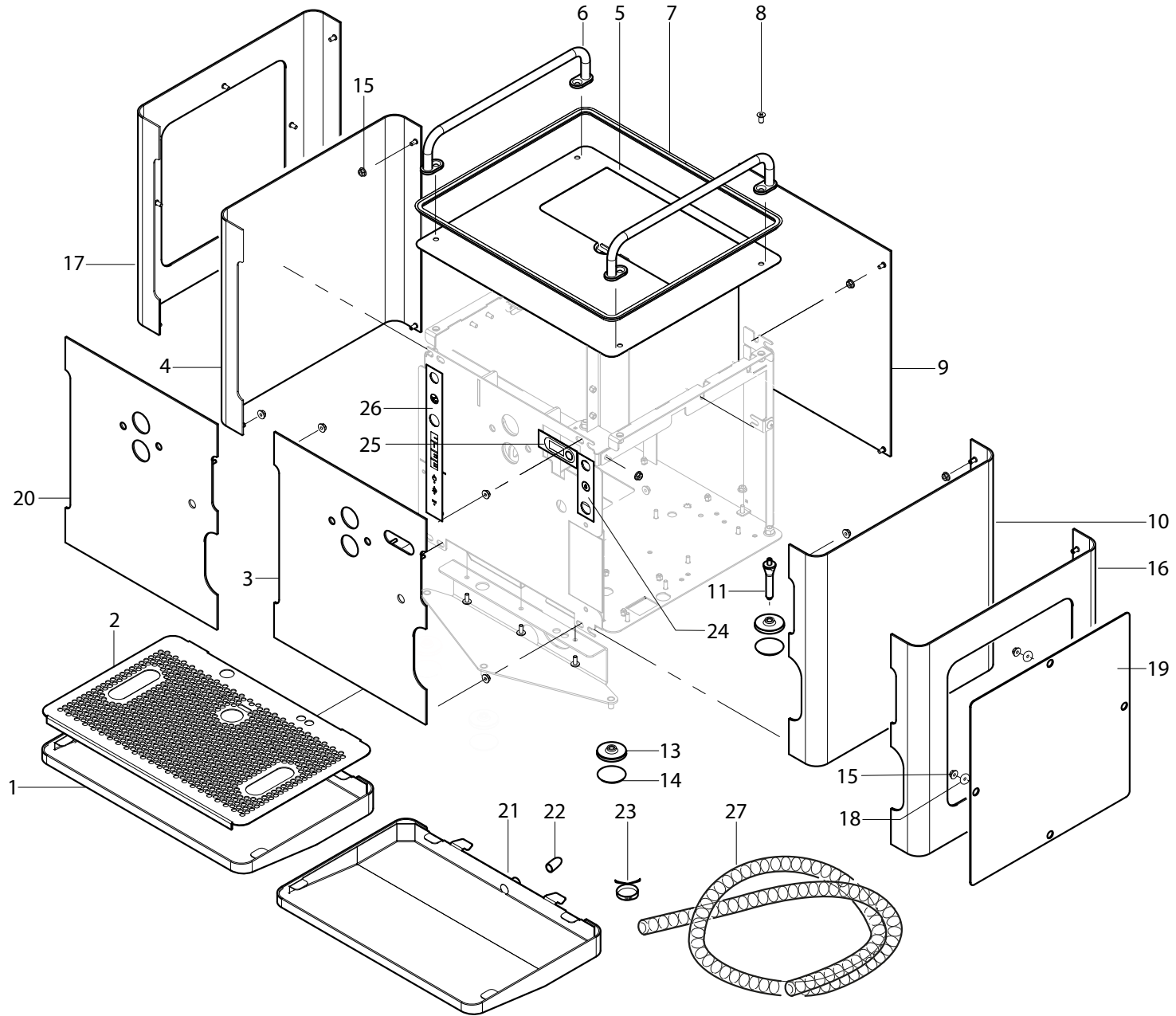




RIF. POS.	CODICE CODE	DESCRIZIONE	DESCRIPTION	NOTE NOTES
1	10061216A	PIATTO DI SCARICO CUBE V S/TUBO	DRAIN PLATE CUBE V NO PIPE	CUBE V
2	10061177	GRIGLIA DI SCARICO CUBE S/PIEGHE	DRAIN GRID CUBE AISI430	
3A	10062131	PROT.FRONT.V.ROSA LUCIDO CUBE R	PINK FRONTAL PROTECTION CUBE R	CUBE R
3B	10062132	PROT.FRONT.V.NERO OPACO CUBE R	MATT BLACK FRONTAL PROTECTION CUBE R	CUBE R
3C	10061133	PROT.FRONTALE INOX CUBE R	INOX FRONTAL PROTECTION CUBE R	CUBE R
3D	10062134	PROT.FRONT.V.GIALLO LUCIDO CUBE R	YELLOW FRONTAL PROTECTION CUBE R	CUBE R
3E	10062135	PROT.FRONT.V.AZZURRO LUCIDO CUBE R	LIGHT BLUE FRONTAL PROTECTION CUBE R	CUBE R
3F	10062136	PROT.FRONT.V.ROSSO LUCIDO CUBE R	GLOSSY RED FRONTAL PROTECTION CUBE R	CUBE R
3G	10062138	PROT.FRONT.V.BIANCO OPACO CUBE R	MATT WHITE FRONTAL PROTECTION CUBE R	CUBE R
3H	10062139	PROT.FRONT.V.VERDE LUCIDO CUBE R	GREEN FRONTAL PROTECTION CUBE R	CUBE R
4A	10062301	FIANCO SX ROSA LUCIDO CUBE-CUBE R	PINK LEFT PANEL CUBE A	CUBE A
4B	10062302	FIANCO SX NERO OPACO CUBE-CUBE R	MATT BLACK LEFT PANEL CUBE A	CUBE A
4C	10061303	FIANCO SX INOX CUBE-CUBE R	INOX LEFT PANEL CUBE A	CUBE A
4D	10062304	FIANCO SX GIALLO LUCI.CUBE-CUBE R	YELLOW LEFT PANEL CUBE A	CUBE A
4E	10062305	FIANCO SX AZZURRO LUC.CUBE-CUBE R	LIGHT BLUE LEFT PANEL CUBE A	CUBE A
4F	10062306	FIANCO SX ROSSO LUCID.CUBE-CUBE R	GLOSSY RED LEFT PANEL CUBE A	CUBE A
4G	10062308	FIANCO SX BIANCO OPA.CUBE-CUBE R	MATT WHITE LEFT PANEL CUBE A	CUBE A
4H	10062309	FIANCO SX VERDE LUCIDO CUBE-CUBE R	GREEN LEFT PANEL CUBE A	CUBE A
5	10061161	PIATTO POGGIA TAZZE CUBE	CUP WARMER PLATE CUBE	
6	10061160A	FERMATAZZE CUBE D10 C/PIASTRINA	CUP HOLDER CUBE	
7	10502990B	GUARN.PIANO POGGIAT.CUBE	GASKET CUP WARMER PLATE CUBE	
8A	10805287	VITE TSP+ M5X16 A2 UNI7688	TSP+ M5X16 A2 SCREW UNI7688	UL VERSION
8B	10805429	VITE TSPEI M5X15 A2	TSPEI M5X15 SCREW A2	
9A	10062071	PROT.POSTER.V.ROSA LUCIDO CUBE	PINK REAR PANEL CUBE	
9B	10062072	PROT.POSTER.V.NERO OPACO CUBE	MATT BLACK REAR PANEL CUBE	
9C	10061073	PROT.POSTERIORE INOX CUBE	INOX REAR PANEL CUBE	
9D	10062074	PROT.POSTER.V.GIALLO LUCIDO CUBE	YELLOW REAR PANEL CUBE	
9E	10062075	PROT.POSTER.V.AZZURRO LUCIDO CUBE	LIGHT BLUE REAR PANEL CUBE	
9F	10062076	PROT.POSTER.V.ROSSO LUCIDO CUBE	GLOSSY RED REAR PANEL CUBE	
9G	10062078	PROT.POSTER.V.BIANCO OPACO CUBE	MATT WHITE REAR PANEL CUBE	
9H	10062079	PROT.POSTER.V.VERDE LUCIDO CUBE	GREEN REAR PANEL CUBE	
10A	10062281	FIANCO DX ROSA LUCIDO CUBE-CUBE R	PINK RIGTH PANEL CUBE A	CUBE A

SEGUE / CONTINUE ---->

CARROZZERIA / BODY



CUBE

TAVOLA
DRAWING

1

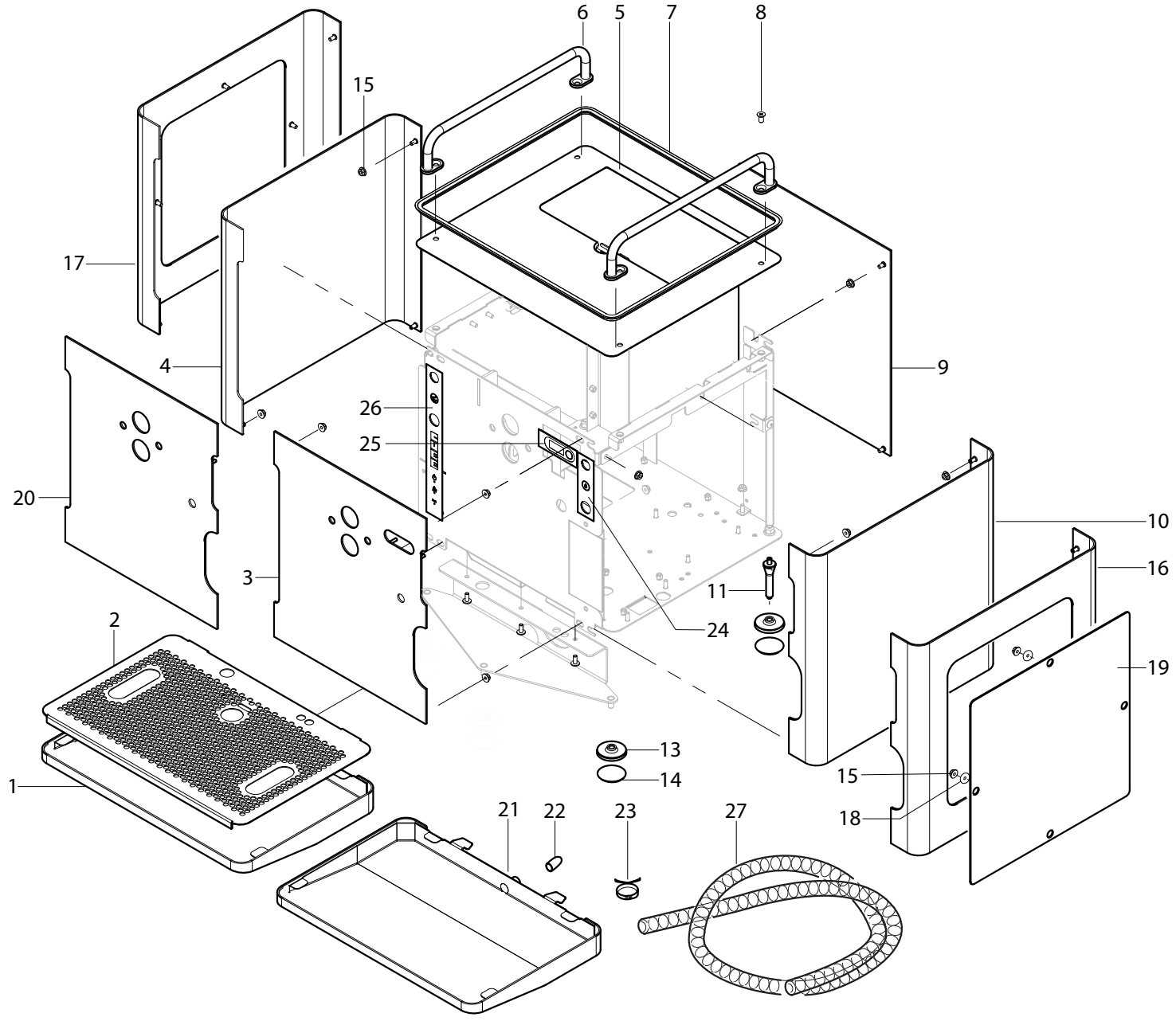
CARROZZERIA / BODY

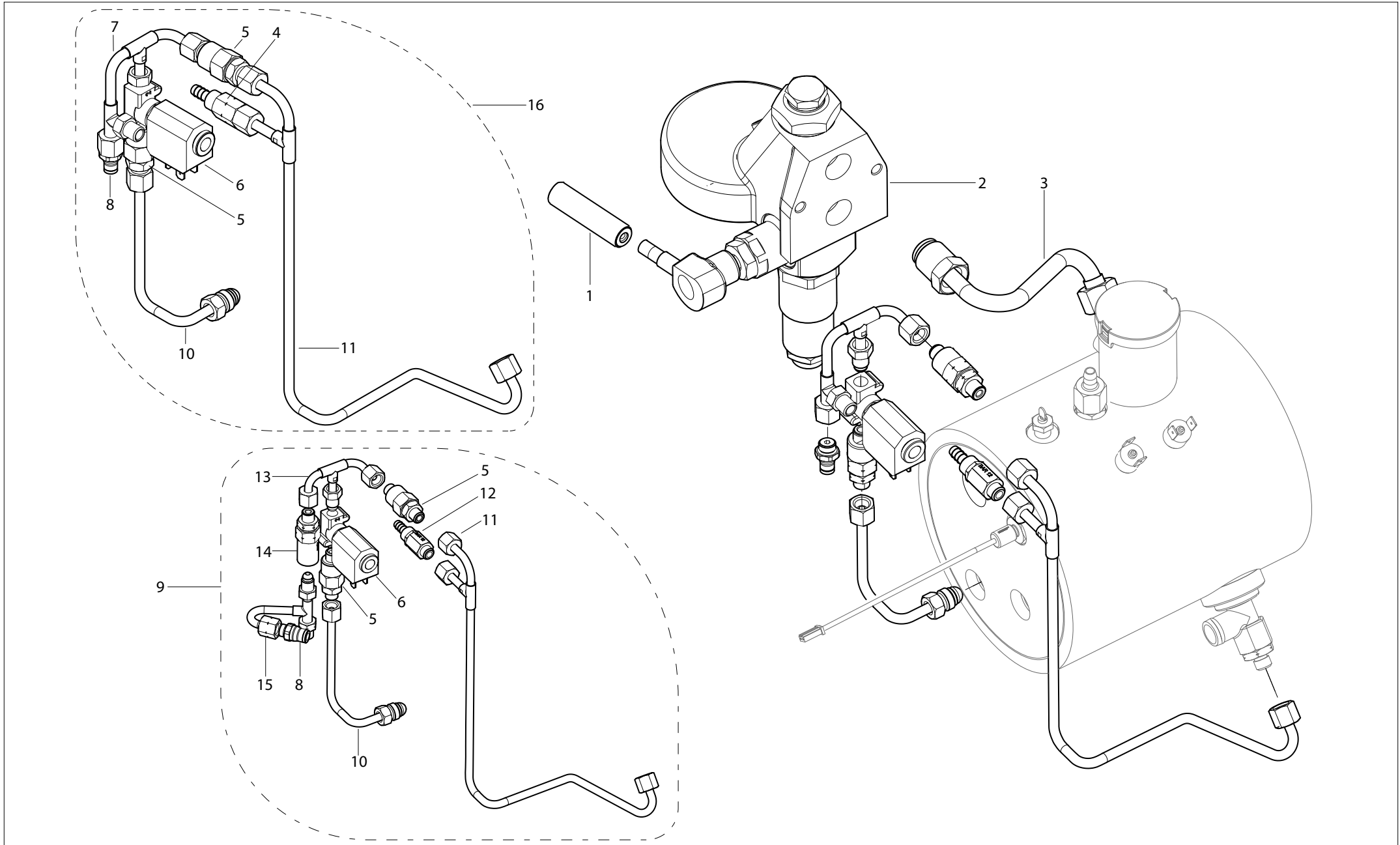
4/6

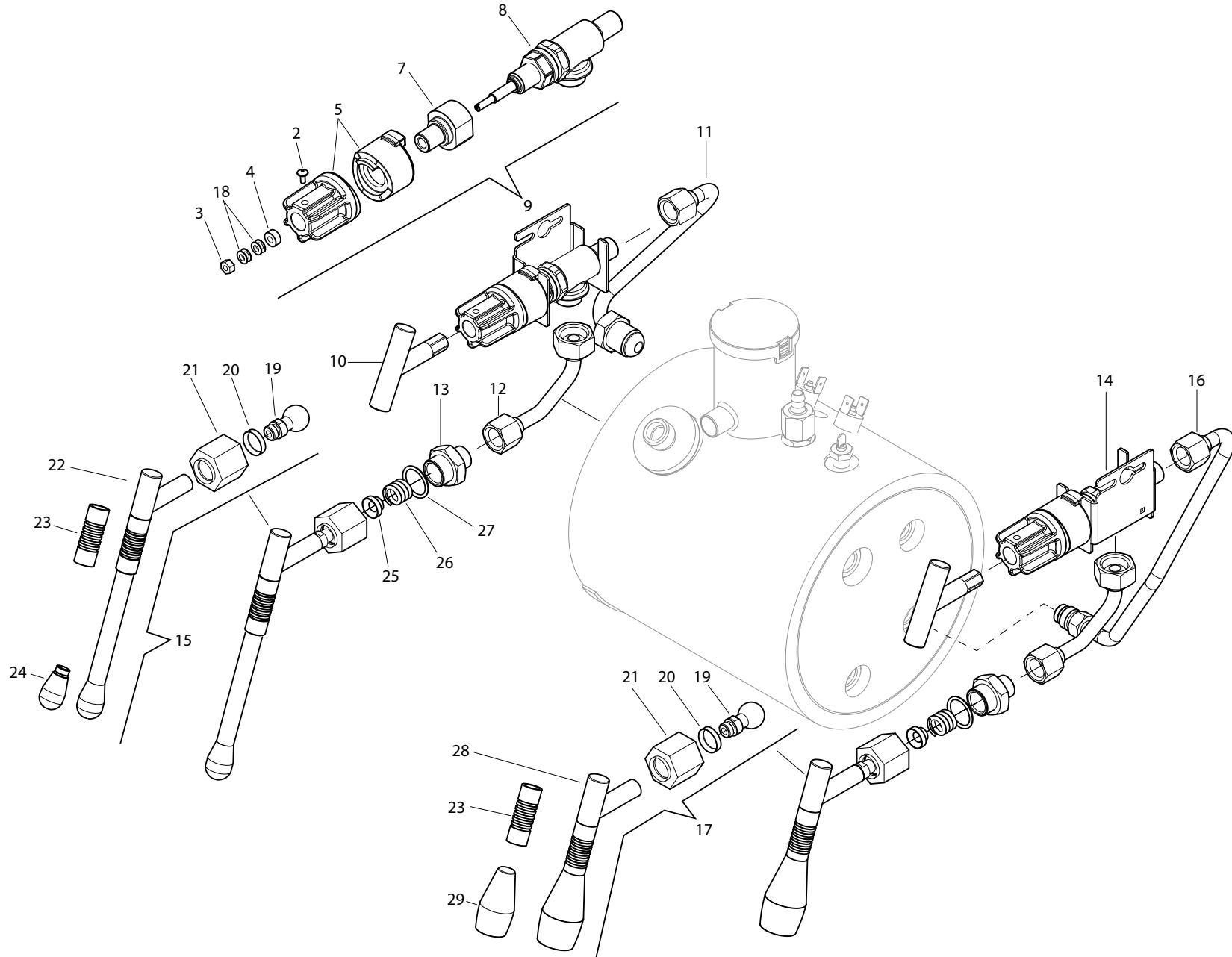


RIF. POS.	CODICE CODE	DESCRIZIONE	DESCRIPTION	NOTE NOTES
10B	10062282	FIANCO DX NERO OPACO CUBE-CUBE R	MATT BLACK RIGTH PANEL CUBE A	CUBE A
10C	10061283	FIANCO DX INOX CUBE-CUBE R	INOX RIGTH PANEL CUBE A	CUBE A
10D	10062284	FIANCO DX GIALLO LUCI.CUBE-CUBE R	YELLOW RIGTH PANEL CUBE A	CUBE A
10E	10062285	FIANCO DX AZZURRO LUC.CUBE-CUBE R	LIGHT BLUE RIGTH PANEL CUBE A	CUBE A
10F	10062286	FIANCO DX ROSSO LUC.CUBE-CUBE R	GLOSSY RED RIGTH PANEL CUBE A	CUBE A
10G	10062288	FIANCO DX BIANCO OPA.CUBE-CUBE R	MATT WHITE RIGTH PANEL CUBE A	CUBE A
10H	10062289	FIANCO DX VERDE LUC.CUBE-CUBE R	GREEN RIGTH PANEL CUBE A	CUBE A
11	10061153	SUPP.CIL.PIEDINO CUBE D10	FOOT SUPPORT CUBE D10	
13	10061150	PIEDINO CUBE D33 C/SEDE GOMMINO	FOOT CUBE D33	
14	10356082	GOMMINO ADESIVO D31,5 H2,5 NERO	FOOT RUBBER PAD D31,5 H2,5 BLACK	
15	10809011	DADO 4MA FLANG.ZIGR.ZN CL8	M4 FLANGED NUT	
16A	10062011	FIANCO DX V.ROSA LUCIDO CUBE B	PINK RIGTH PANEL CUBE B	CUBE B
16B	10062012	FIANCO DX V.NERO OPACO CUBE B	MATT BLACK RIGTH PANEL CUBE B	CUBE B
16C	10061013	FIANCO DX INOX CUBE CUSTOM	INOX RIGTH PANEL CUBE B	CUBE B
16D	10062014	FIANCO DX V.GIALLO LUCIDO CUBE B	YELLOW RIGTH PANEL CUBE B	CUBE B
16E	10062015	FIANCO DX V.AZZURRO LUCIDO CUBE B	LIGHT BLUE RIGTH PANEL CUBE B	CUBE B
16F	10062016	FIANCO DX V.ROSSO LUCIDO CUBE B	GLOSSY RED RIGTH PANEL CUBE B	CUBE B
16G	10062018	FIANCO DX V.BIANCO OPACO CUBE B	MATT BLACK RIGTH PANEL CUBE B	CUBE B
16H	10062019	FIANCO DX V.VERDE LUCIDO CUBE B	GREEN RIGTH PANEL CUBE B	CUBE B
17A	10062031	FIANCO SX V.ROSA LUCIDO CUBE B	PINK LEFT PANEL CUBE B	CUBE B
17B	10062032	FIANCO SX V.NERO OPACO CUBE B	MATT BLACK LEFT PANEL CUBE B	CUBE B
17C	10061033	FIANCO SX INOX CUBE CUSTOM	INOX LEFT PANEL CUBE B	CUBE B
17D	10062034	FIANCO SX V.GIALLO LUCIDO CUBE B	YELLOW LEFT PANEL CUBE B	CUBE B
17E	10062035	FIANCO SX V.AZZURRO LUCIDO CUBE B	LIGHT BLUE LEFT PANEL CUBE B	CUBE B
17F	10062036	FIANCO SX V.ROSSO LUCIDO CUBE B	GLOSSY RED LEFT PANEL CUBE B	CUBE B
17G	10062038	FIANCO SX V.BIANCO OPACO CUBE B	MATT WHITE LEFT PANEL CUBE B	CUBE B
17H	10062039	FIANCO SX V.VERDE LUCIDO CUBE B	GREEN LEFT PANEL CUBE B	CUBE B
18	10805562	RONDELLA D4x16x1.5 PIANA ZN	PLANE WASHER D4X16X1,5	
19A	10062181	PANNEL.TAMP.FIANCHI V.ROSA LU.CUBE	PINK PAD PANEL CUBE B	CUBE B
19B	10062182	PANNELLO TAMP.FIANCHI V.BI.OP.CUBE	MATT WHITE PAD PANEL CUBE B	CUBE B
19C	10061183	PANNELLO TAMP.FIANCHI INOX CUBE	INOX PAD PANEL CUBE B	CUBE B
19D	10061184	PANNEL.TAMP.FIANCHI V.GIAL.LU.CUBE	YELLOW PAD PANEL CUBE B	CUBE B

SEGUE / CONTINUE ---->





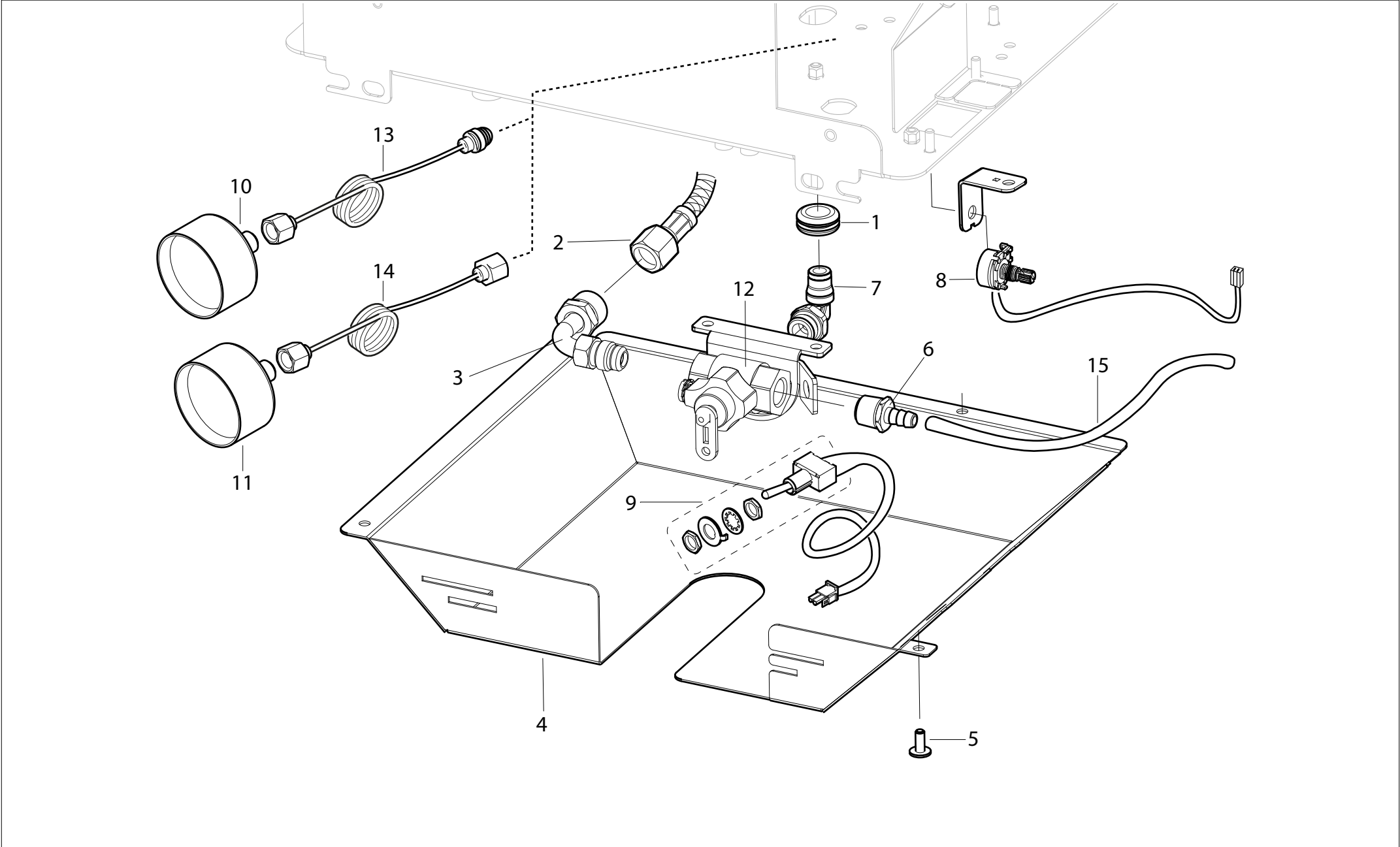


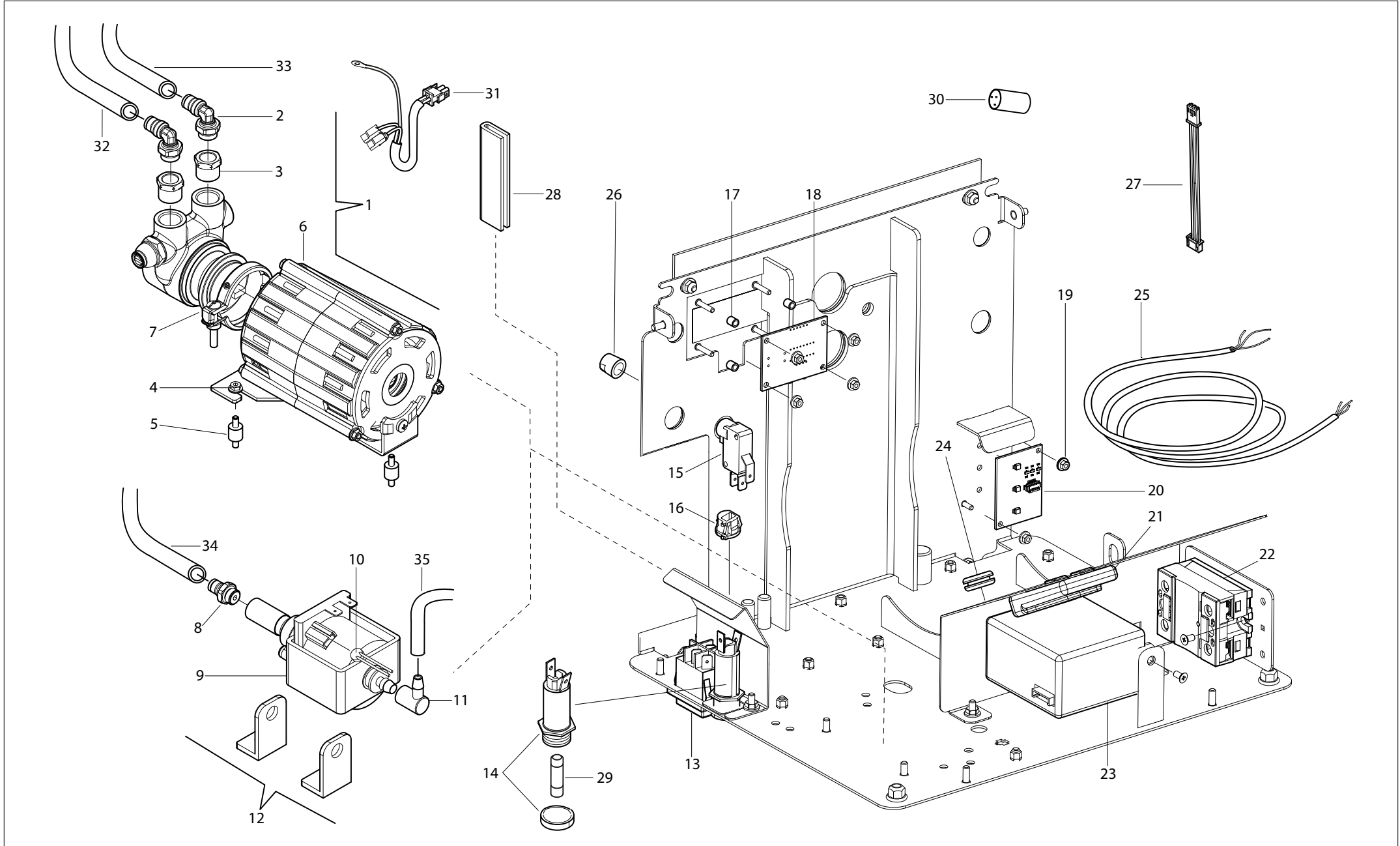


RIF. POS.	CODICE CODE	DESCRIZIONE	DESCRIPTION	NOTE NOTES
2	10805027A	VITE TBL+ M4X10 A2 LUCIDE T/T PH2	TBL+ M4X10 A2 SCREW	
3	10802524	DADO AUTOB.M4 C/INS.MET.DAX PG CI8 ZN.B.	M4 SELF-BLOCKING NUB	
4	10771002	CUSCINETTO D4X9 SP4	BEARINGS D4X9 SP4	
5	10041410	KIT CAMMA FISSA E MOBILE CUBE	KIT STILL AND FLOATING CAM CUBE	
7	10061271B	BOCCOLA CENTRAGGIO CAMME CUBE	BUSH FOR CAM CUBE	
8	10402960B	RUBINET.VAP/ACQ.CUBE C/ASTA	STEAM/WATER TAP CUBE	
9	10063010A	ASS.RUB.VAP/ACQUA SX CUBE	LEFT STEAM/WATER TAP CUBE ASSEMBLY	
10	10402997	MANOPOLA A/V RUB.CUBE	STEAM/WATER TAP CUBE KNOB	
11	10005713	TUBO VAPORE SX CUBE	STEAM LEFT PIPE CUBE	
12	10005714B	TUBO RUBINETTO CUBE	TAP PIPE CUBE	
13	10402978	RACCORDO POST.1/4 LANCIA CAV.CUBE	WATER/STEAM WAND FITTIN 1/4 CUBE	
14	10063012A	ASS.RUB.VAP/ACQUA DX CUBE	RIGHT STEAM/WATER TAP CUBE ASSEMBLY	
15	KITVAPORCUBE	KIT LANCIA VAPORE CUBE	KIT STEAM WAND CUBE	
16	10005708A	TUBO ACQUA DX CUBE	RIGHT WATER PIPE CUBE	
17	KITACQUACUBE	KIT LANCIA ACQUA CUBE	KIT WATER WAND CUBE	
18	10803518	RONDELLA D8X4,2X0,2MM A TAZZA CUBE	CUP SPRING D8X4,2X0,2MM CUBE	
19	10402718	SNODO LANCIA VAPORE ACQUA C/ORING CUBE	TAP LEVER JOINT WITH ORING CUBE	
20	10402722	GUARNIZIONE LANCIA VAPORE ACQUA CUBE	WATER/STEAM WAND GASKET CUBE	
21	10402716A	DADO LANCIA VAPORE ACQUA CUBE	WATER/STEAM WAND NUT CUBE	
22	10402982	LANCIA VAPORE CUBE N/SNODO-DADO	NO LEVER NO NUT STEAM WAND CUBE	
23	10402758	GOMMINO LANCIA VAPORE ACQUA CUBE	WAND CUBE RUBBER PROTECTION	
24	10402720	BECCUCCIO C/OR LANCIA VAPORE ACQUA CUBE	STEAM WAND JET CUBE WITH ORING	
25	10402741	SCODELLINO LANCIA VAP.F18 PEEK	CUP/STEAM WAND PEEK SPRING GUIDE	
26	10402742	MOLLA LANCIA VAPORE F18 COOL TOUCH	STEAM WAND SPRING	
27	10402056A	OR 2062 VITON VERDE D15,6X1,78 FDA-NSF	GREEN OR 2062 D 15,6X1,78	
28	10402992	LANCIA ACQUA FORO G1,5 N/SNODO-DADO CUBE	NO LEVER NO NUT WATER WAND G1,5 CUBE	
29	KITEROGACUBE	KIT EROGAZIONE DOCCIA ACQUA CUBE	KIT WATER WAND EROGATION CUBE	



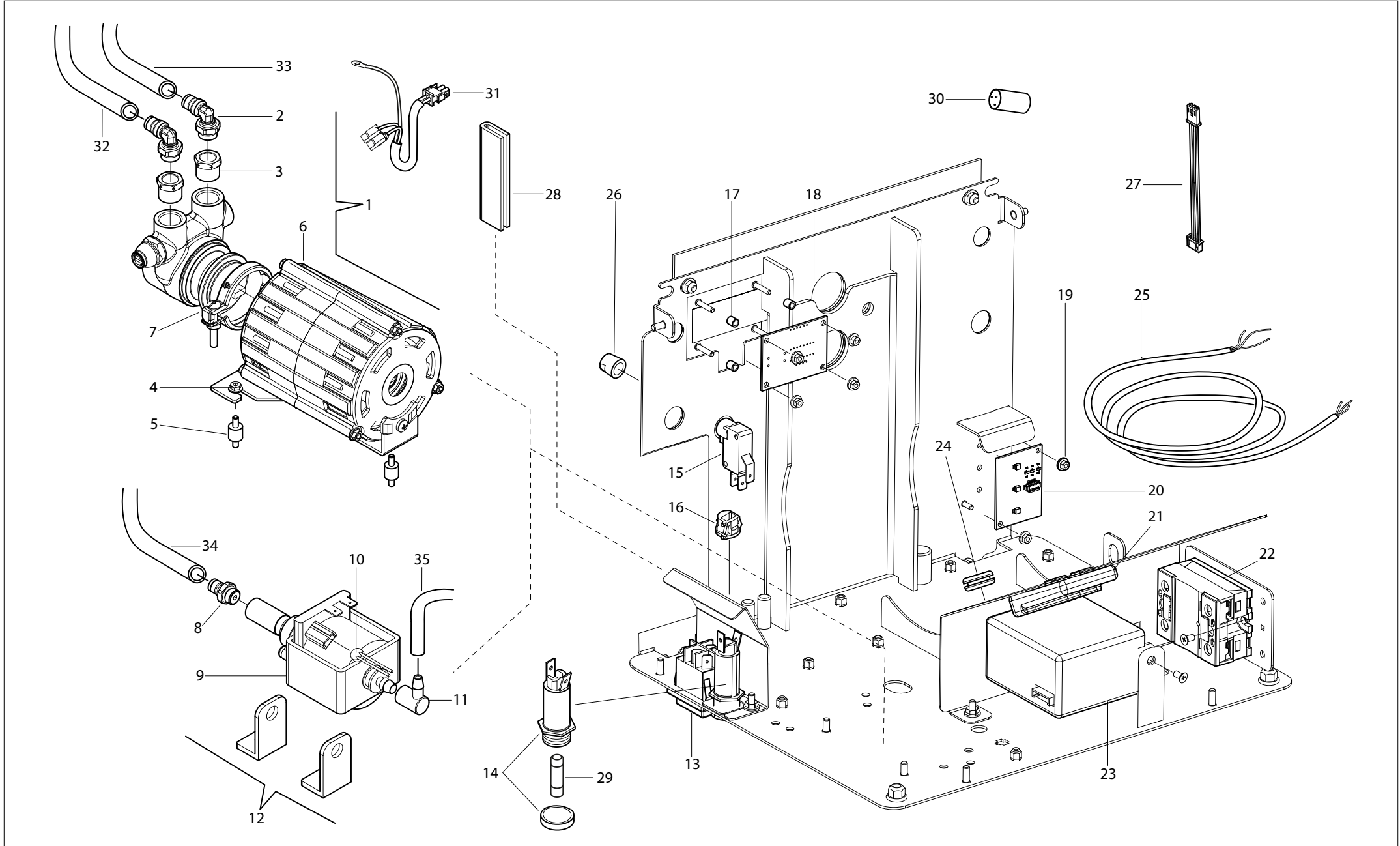
RIF. POS.	CODICE CODE	DESCRIZIONE	DESCRIPTION	NOTE NOTES
1	10112222D	SONDA NTC 3.3K 100°1/4" M AISI316L ES.17	"NTC TEMP. SENSOR 1/4" M"	
2	10505085	OR 3162 130 SIL 40,95X2,62X46,19	OR 3162 130 SIL 40,95X2,62X46,19	
3	10025692	ISOL.ISOSOL-EC FONDELLO DX CUBE	RIGHT BOILER INSULATION CUBE	
4	10652092A	VALVOLA SFIATO CALD.C/PORTAG. OT57	ANTI VACUUM VALVE	
5	10652058B	VALVOLA D7/S SIC.3/8 CIL.T1,8B CON.OT57	SAFETY VALVE D7/S 3/8 T1,8B OT57	
6	10852218	RONDELLA RAME D.16,8XD25XH1,5MM	COPPER WASHER D.16,8XD25XH1,5MM	
7	10022489B	VASCHETTA SC.VALV.SIC.NERA D14 PA6630%FV	SAFETY VALVE DRIP TRAY	
8	10112059C	SONDA LIV.TL10/B105mm FTFL OT57 S/TUB.	SONDA LIV.TL10/B105mm FTFL OT57 S/TUB.	
9	10852180	RONDELLA RAME 1/4" 13.5X19X1.5	COPPER WASHER 1/4 13,5X19X1,5	
10A	10452118	RESISTENZA 1300W 120V MOD.CUBE	HEATING ELEMENT 1300W 120V CUBE	UL VERSION
10B	10452114	RESISTENZA 100-120V 1200-1728W	HEATING ELEMENT 1200-1728W 100-120V CUBE	
11	10111079	TERMOSTATO 135° A RIA.MAN.CJSC	SAFETY THERMOSTAT 135°	
12	10111049A	TERMOSTATO 135° A RIARMO MAN.UL	SAFETY THERMOSTAT 135° UL	UL VERSION
13	10025690C	ISOL.ISOSOL-EC CALOTTA CUBE D140	BOILER INSULATION D140 CUBE	
14	10005700A	TUBO SCAMBIATORE INFERIORE CUBE	BOTTOM EXCHANGER PIPE CUBE	
15	10042030	INIETTORE D.8 TEFL.C/RAC1/8M L.80 OT57	D8 TEFLON INJECTOR L.80 OT57	
16	10852214	RONDELLA RAME HOV.1/4" D.14X18X2MM	COPPER WASHER HOV.1/4 D14X18X2MM	
17	10853358	RACCORDO SC.INF.1/4X3/8X1/2"C/S OT57	LOWER DRAIN FITTING 1/4X3/8X3/8	
18	10852219	RONDELLA RAME HOV.3/8" DI17X22,8X3MM	"HOV COPPER WASHER G 3/8"	
19	10022497B	COPERCHIO VASC.SC.VAL.SIC.NERO PA6630%FV	SAFETY VALVE DRIP TRAY LID PA6630%FV	
20	10452116	RESISTENZA 1500W 230V MOD.CUBE	HEATING ELEMENT 1500W 230V CUBE	
21	10809042	DADO 8MA FLANG.ZIGR.ZN CL8	8MA FLANGED NUT	
22	10025694	ISOL.ISOSOL-EC FONDELLO SX CUBE	LEFT BOILER INSULATION CUBE	
23	10805572	DADO 3/8" ES22 H5 OTTONE	NUT 3/8 BRASS HEXAGONAL	UL VERSION
24	10005716	TUBO VALVOLA SICUREZZA CUBE UL	SAFETY VALVE PIPE CUBE UL	UL VERSION
25	10652056B	VALV.D7/CS SIC.3/8 T1,8 PED+ASME OT57	SECURITY VALVE	UL VERSION
26	10505002	O-RING DI TENUTA RES.TRI.D37,47 SIL	SILCON ORING D37,47 CUBE HEATING ELEMENT	

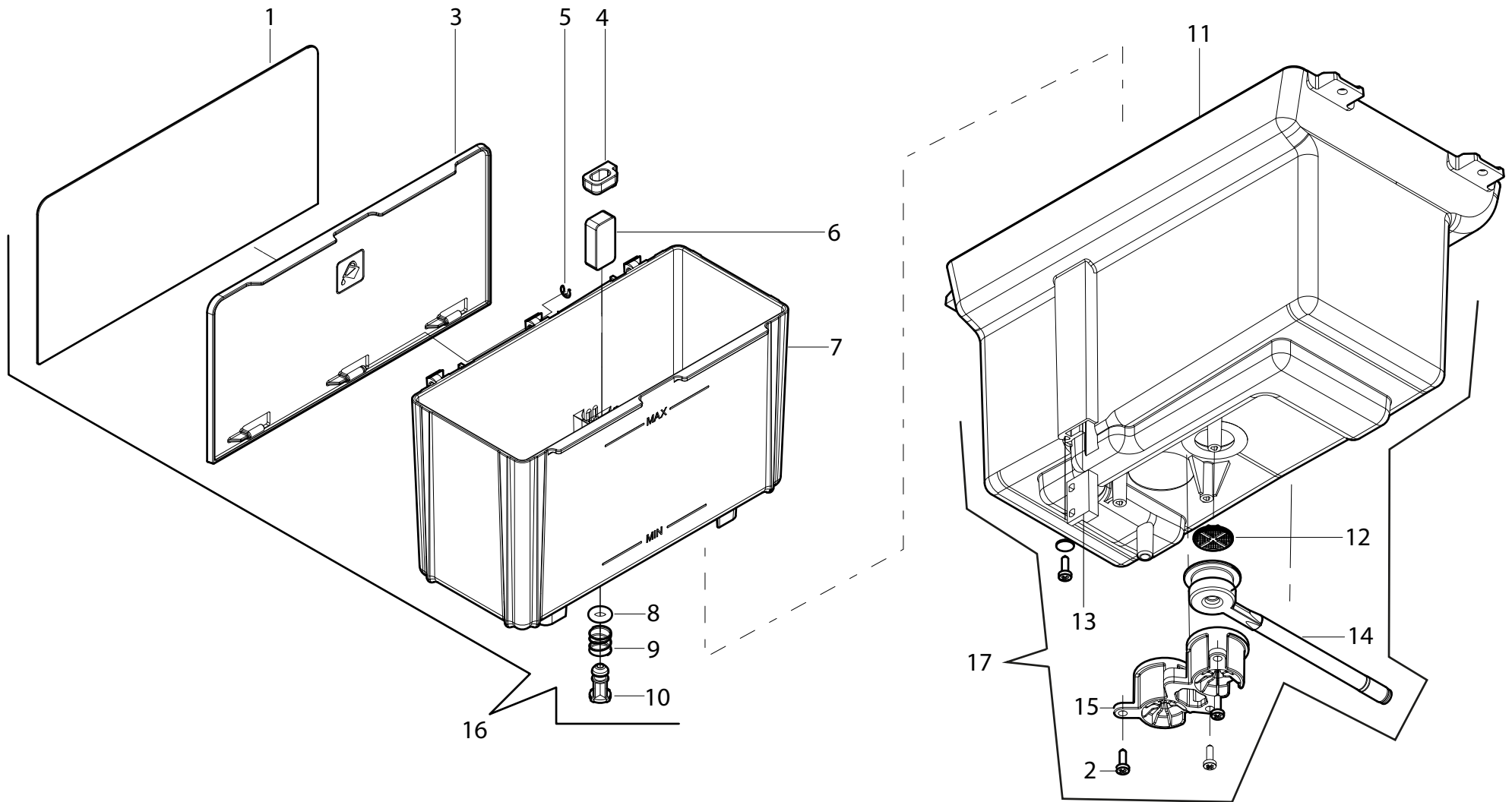




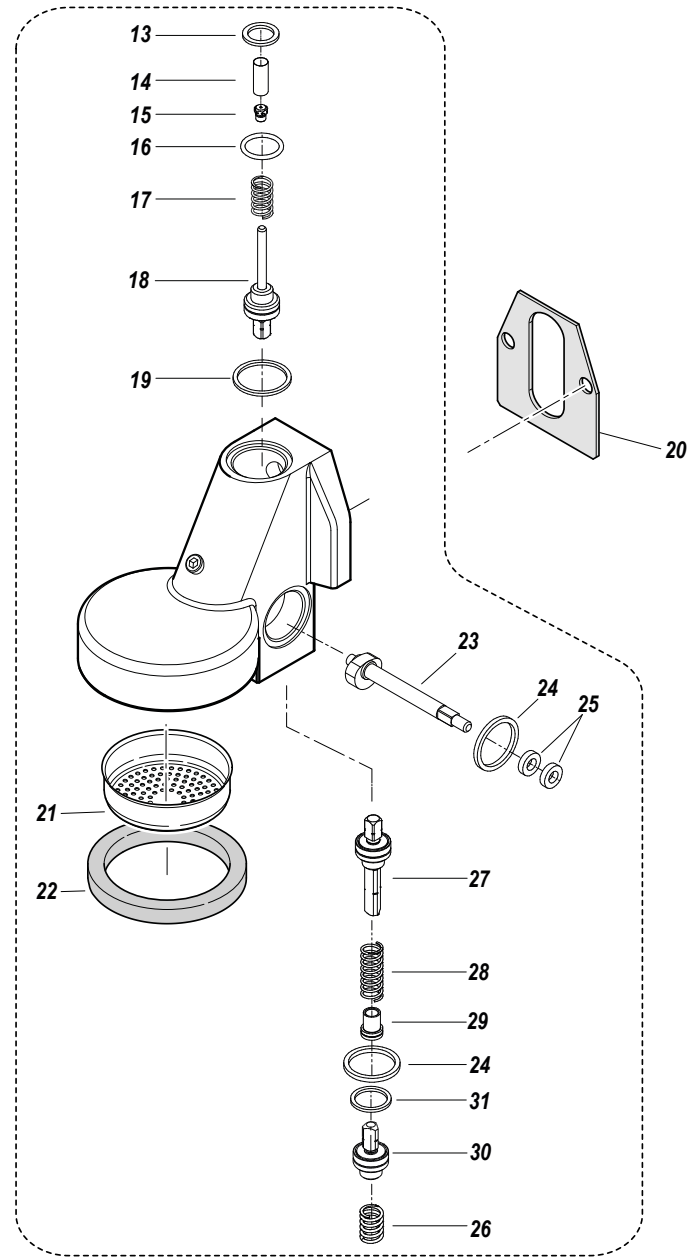
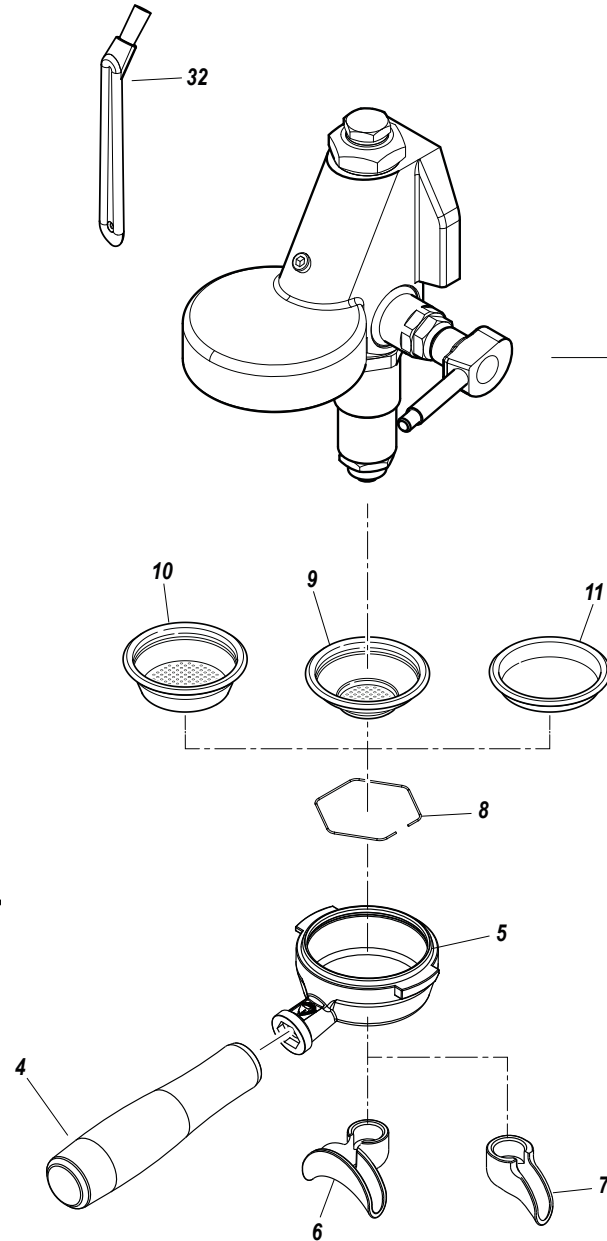
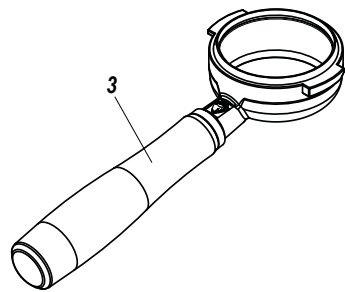
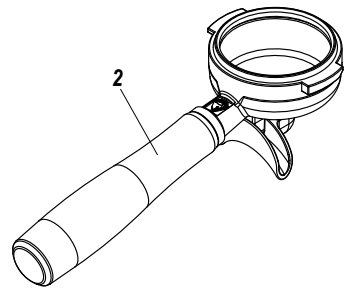
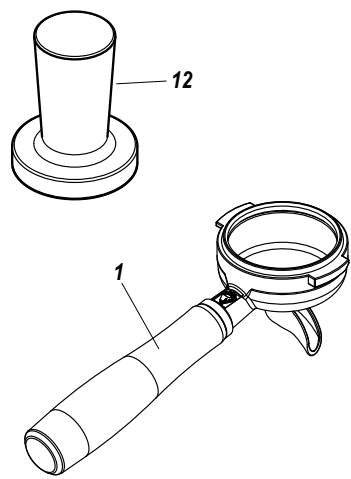


RIF. POS.	CODICE CODE	DESCRIZIONE	DESCRIPTION	NOTE NOTES
1A	10063018	ASS.POMPA VOLUMETRICA CUBE R CB	VOLUMETRIC PUMP ASSEMBLY CUBE R CB	CUBE R
1B	10063020	ASS.POMPA VOLUMETRICA CUBE R UL	VOLUMETRIC PUMP ASSEMBLY CUBE R UL	CUBE R UL VERSION
1C	10063032	ASS.POMPA VOLUMETRICA CUBE R JAPAN	VOLUMETRIC PUMP ASSEMBLY CUBE R JAPAN	CUBE R
2	10853172	RACC. L RAPIDO 6X1/4" OR VITON GIREV.	L FITTING 6X1/4" OR VITON	CUBE R
3	10857094	RACCORDO.RIDUZ.3/8M CIL.-1/4F OT57	REDUCTION FITTING 3/8 M - 1/4 F	CUBE R
4	10809011	DADO 4MA FLANG.ZIGR.ZN CL8	M4 FLANGED NUT	CUBE R
5	10255098	ANTIVIBR.45SH PUFFER D10X10 M4XH8	PUFFER ANTIVIBRATION D10X10 M4XH8	CUBE R
6A	10252302	ES-MOTORE EL.230V 120W 50/60HZ	ELECTRICAL PUMP MOTOR 230V 120W 50/60HZ	CUBE R
6B	10252300	MOTORE EL.110-120V 235W 50/60HZ UL	ELECTRICAL MOTOR 110V 235W 50/60HZ UL	CUBE R UL VERSION
6C	10252304	MOTORE EL.100-110V 50/60HZ C=30UF GIAP	ELECTRICAL MOTOR 100-110V 50/60HZ C=30UF	CUBE R
7	10252360	POMPA COMP.CB054Z 50L NSF	COMPLETE PUMP 50L NSF	CUBE R
8	10853204A	RACC. RAP.DRITTO 4X1/8M OR VITON OT57	RAPID STRIGHT FITTING 4X1/8M	CUBE V
9A	10255018	POMPA EL.EP5 230V 50Hz 15B CA.PA	VIBRATION PUMP 230V	CUBE V
9B	10255025	POMPA EL.EP5 120V 60HZ 41W UL	ELECTRIC PUMP 120V 60HZ 41W UL	CUBE V UL
10	10254902	TERMOPROTETTORE TB05 115° VDE UL CABLATO	CABLED THERMAL PROTECTOR TB05 115° VDE	CUBE V
11	10255030	PIPETTA A L IN PL	L-SHAPED TUBE	CUBE V
12A	10063019	ASS.POMPA VIBRAZIONE CUBE V CB	VIBRATION PUMP ASSEMBLY CUBE V CB	CUBE V
12B	10063021	ASS.POMPA VIBRAZIONE CUBE V UL	VIBRATION PUMP ASSEMBLY CUBE V UL	CUBE V UL VERSION
13	10556041B	INTERR. BIP.LUMIN.ROSSO SCALD.UL-CB LIG.	RED BIPOLAR SWITCH	
14	10111154	PORTAFUSIBILE 5X20 20A 600VAC 3.2W	FUSE HOLDER 5X20 20A 600VAC 3.2W	UL VERSION
15	10112052B	MICROINTERRUT.COM.LEVA E61 C/DADO	LEVER CONTROL MICROSWITCH W/NUT	
16A	10105012	PASSACAVO ANTIS.CAVO 3X1,5-16AWG SR6P3-4	GLAND FOR CABLE 3X16AWG	UL VERSION
16B	10105010	PASSACAVO ANTISTR.SRB-R-06	GLAND FOR CABLE HO5VV-F	
17	10354006	DISTANZIATORE PLAST.D5X3,2XH7,5 PA6.6	PLASTIC SPACER D5X3,2X7,5H PA6.6	CUBE R
18	10113416A	DISPLAY 3DIGITS+PULS. CUBE R FW 1.02	3DIGIT DISPLAY CUBE R FW 1.02	CUBE R
19	10809005	DADO 3MA FLANG.ZIGR. A2	M3 FLANGED NUT	
20	10113414	SCHEDA 3LED C/CAVET.CUBE	CABLED 3 LED BOARD CUBE	
21	10112533	SCHEDA INTERF.WI-FI C/CUST.MOBBUS	WI-FI CUBE BOARD	
22	10112494	RELE' STAT.MON.4-32VDC 25A 48-480VAC	RELAY ONE PHASE 4-32VDC 25A 48-480VAC	
23	10113408A	CENTRALINA CUBE 100-240VAC FW 1.13	CUBE CONTROL UNIT 100-240VAC FW 1.13	
24	10105014	PASSACAVO IN PVC PER MOD.GOCCIA/CUBE	RUBBER CABLE PASS	
25A	10105222	CAVO AL.SJTO 3AWG16X2MT(USA)PC738	USA POWER CABLE 3AWG16X2MT SJTO PC738	USA VERSION SEGUE / CONTINUE ---->





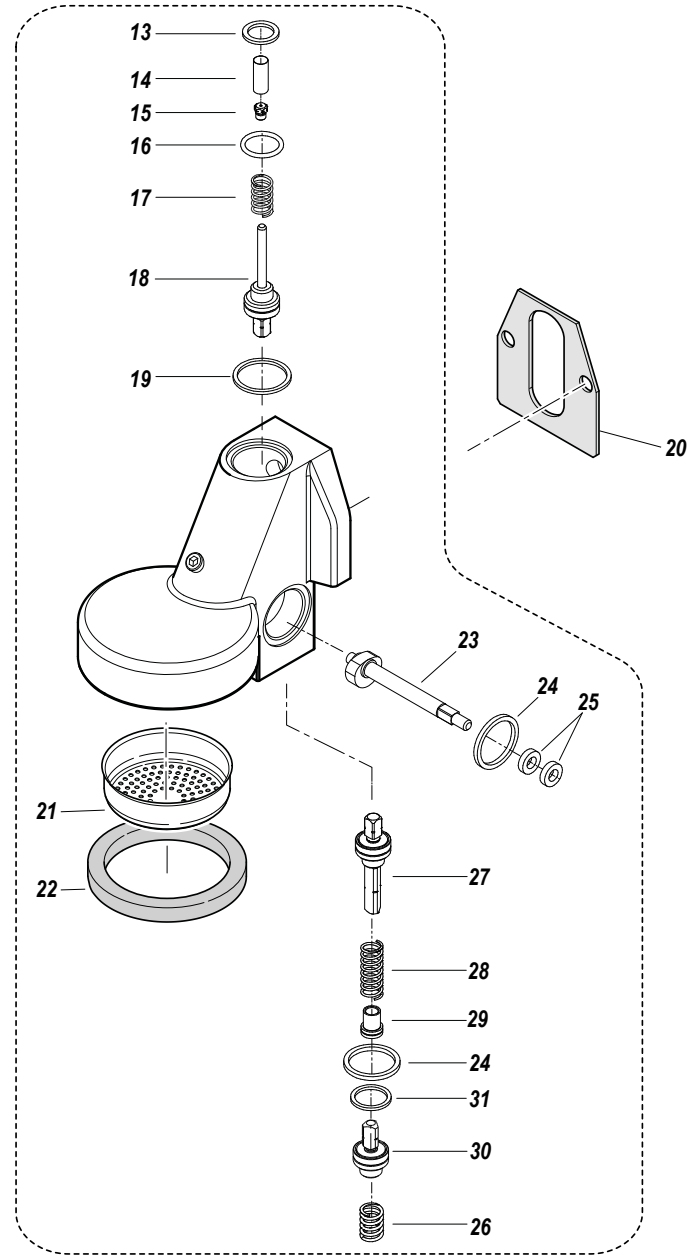
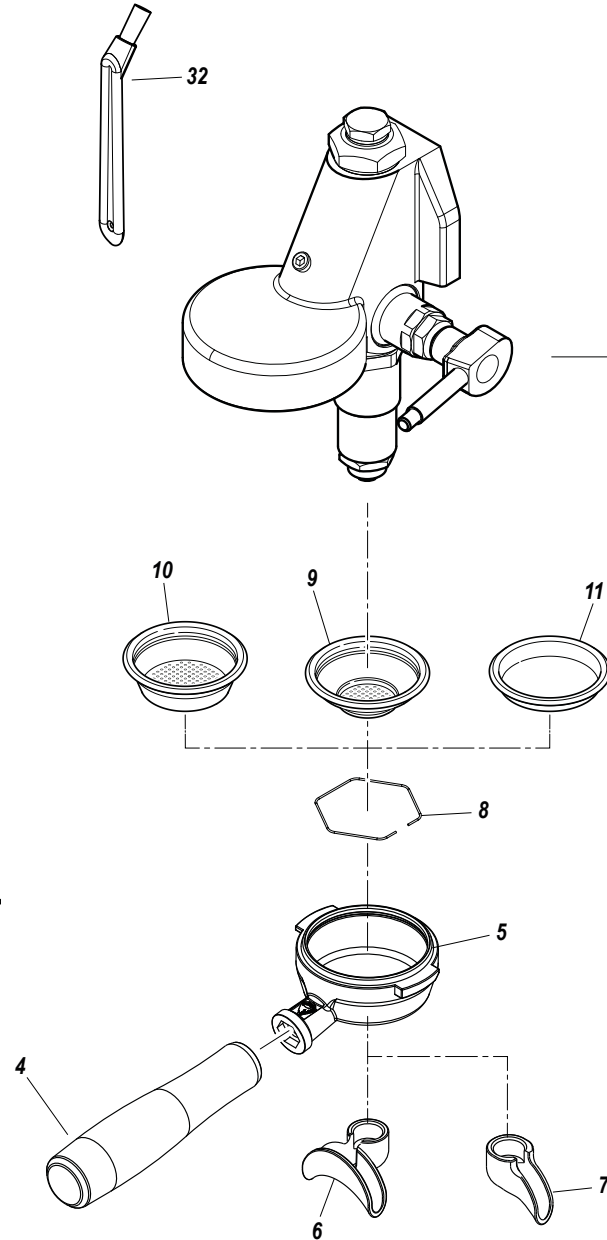
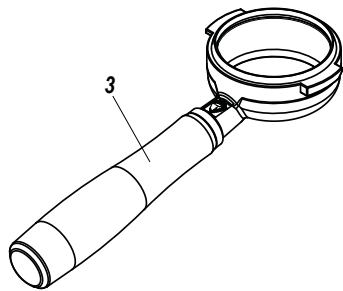
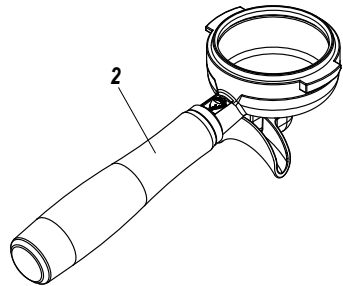
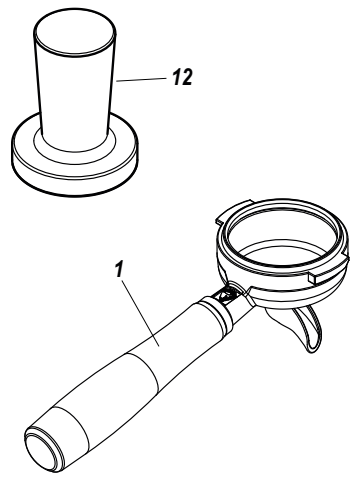
6, 11, 17 AND 16 NEW CODES SINCE S.N.





RIF. POS.	CODICE CODE	DESCRIZIONE	DESCRIPTION	NOTE NOTES
1A	KPOVRRS1TZ6A	ASSIEME PORTAFILTRO 1 TAZZA VR RS ITA 6g	VR RS ITA 6g 1 PORTAFILTER ASSEMBLY	
1B	KPOVRRS1TZ7A	ASSIEME PORTAFILTRO 1 TAZZA VR RS UK 7g	VR RS UK 7g 1 PORTAFILTER ASSEMBLY	
2A	KPOVRRS2TZ14A	ASSIEME PORTAFILTRO 2 TAZZE VR RS ITA 14g	VR RS ITA 14g 2 PORTAFILTER ASSEMBLY	
2B	KPOCUBE2TZ14A	KIT PORTAFILTRO CUBE 2TZ F.14GR H22	CUBE 14GR H22 PORTAFILTER ASSEMBLY	
3A	10054262	PORTAFILTRO SANREMO PLAST.S/FONDO CW	BRASS NAKED FILTER HOLDER	
3B	10054242	PORTAFILTRO SANREMO PLAST.S/FONDO AISI	STEEL NAKED FILTER HOLDER	
4	10080760A	MANICO P/FILTRO SR PLASTIC.TORN.	SR PORTAFILTER HANDLE PLASTIC	
5	10054000A	CORPO PORTAFILTRO OT57 CROM.NSF	FILTER-HOLDER BODY CW510L	
6	10054030	BECCUCCIO 2 VIE COM.AP.CW510L CROM.NSF	2 WAY NOZZLE CW510L	
7	10054040	BECCUCCIO 1 VIA COM.AP.CW510L CROM.NSF	1 WAY NOZZLE CW510L	
8	10052050	MOLLA FERMA FILTRO D1.2 8F255	STOP FILTER SPRING 7-14GR	
9A	10052072	FILTRO 1 TZ H.19,4MM 6GR	1 CUP FILTER 6GR	
9B	10052100	FILTRO 1 TAZZA 7GR	1 CUP FILTER 7GR	
10A	10052110B	FILTRO 2 TAZZE 14GR H.24MM	2 CUPS FILTER 14GR H24MM	
10B	10053022	FILTRO 2 TZ 14GR H.22MM 407109	2 CUPS FILTER 14GR H22MM	
11	10052220A	FILTRO CIECO IN ACCIAIO H16	BLIND FILTER STELL H16	
12	PA051640B	PRESSINO ALL.L.D58MM C/LOGO STAMB.	TAMPER D58 WITH LOGO	
13	10054430	GUARNIZIONE Ø22XØ16X2 PTFE GRUPPO CUBE	PTFE GASKET Ø22XØ16X2	
14	10054432	FILTRO GIGLEUR Ø18,1X22 RETE MF 0,85	GIGLEUR FILTER Ø18,1X22 A304	
15	10054434	GIGLEUR OTT. FORO Ø0,8 CW510L	GIGLEUR HOLE Ø0,8 CW510L	
16	10054436	OR 128 ØI20,62X2,62 EPDM PEROX 70 SHORE	OR 128 ØI20,62X2,62 EPDM PEROX 70 SHORE	
17	10054438	MOLLA ØE13XL33XØFILO1,3P.4,3 INOX A302	SPRING ØE13XL33XØFILO1,3P.4,3 INOX A302	
18	10054440	VALVOLA EROG.SR OT57 DEP.AISI 304	EROGATION VALVE CW510L A304	
19	10054442	GUARNIZIONE TEFLON M30 Ø35XØI30X2 PTFE	TEFLON GASKET M30 Ø35XØI30X2 PTFE	
20	10502134	GUARN.BLOC.GRUP E61 LEVET.NERA	BLACK GROUP E61 W/LEVER LOCK SEAL	
21	10054444	DOCETTA ØI57X18,5 AISI304 IMSDR300	DISTRIBUTION GROUP FILTER ØI57X18,5 A304	
22	10502160	GUARNIZ.SOTTOC. H8,5mm GRUPPO E61	H8,5 UNDER CUP SEAL GROUP E61	
23	10054448	CAMMA GRUPPO LEVETTA GAMBO CH.6 OT57	ROD GROUP LEVER CAM CW510L	
24	10054450	GUARNIZ.TEFLON Ø36XØ30,1X3 COD.12023	TEFLON GASKET Ø36XØ30,1X3	
25	10054452	GUARNIZIONE EPDM PEROX 75SHA Ø15,5XØI8X4	EPDM GASKET PEROX 75SHA Ø15,5XØI8X4	
26	10054446	MOLLA CIL.ØE15XL31XØFILO2 P.4,2 A302	CIL.SPRING ØE15XL31XØFILO2 P.4,2 A302	
27	10054454	VALVOLA INFUSIONE OT57 DEP.L.TOT52	INFUSION VALVE OT57 TOT.L.52	

SEGUE / CONTINUE ---->







SANREMO coffee machines s.r.l.

Via Bortolan, 52

31050 Vascon di Carbonera (Treviso) ITALY

Tel. +39.0422.498900 - Fax. +39.0422.448935

www.sanremomachines.com - E-mail: info@sanremomachines.com