

**MODELOS/MODELS:**

**SRRB -12 NG**

**SRRB -24 NG**

**SRRB -36 NG**

**SRRB -48 NG**

RADIANT BROILERS: Burner section

SRRB -12 NG

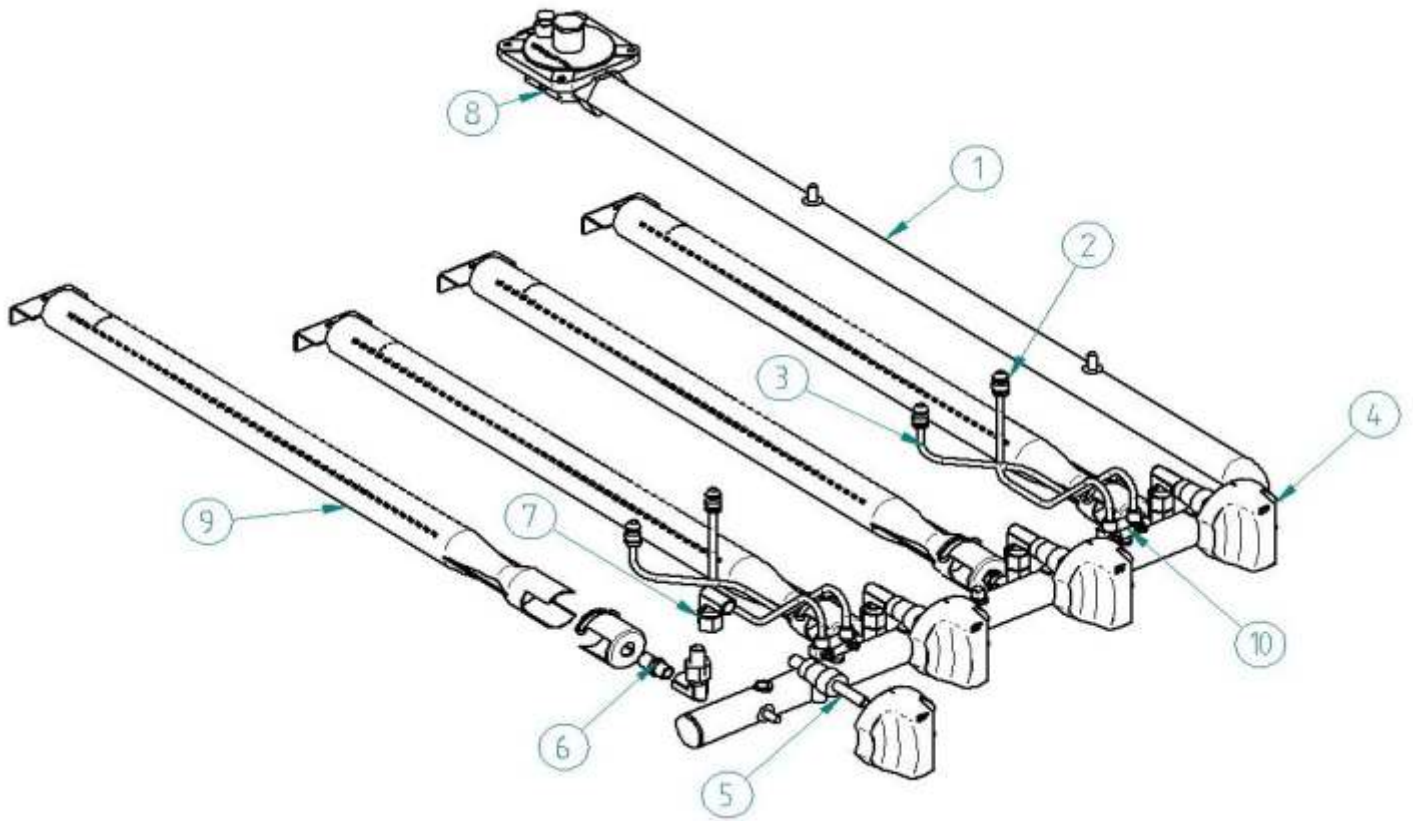
SRRB -24 NG

SREB -36 NG

SRRB -48 NG



Versión 2014-06



Notes:

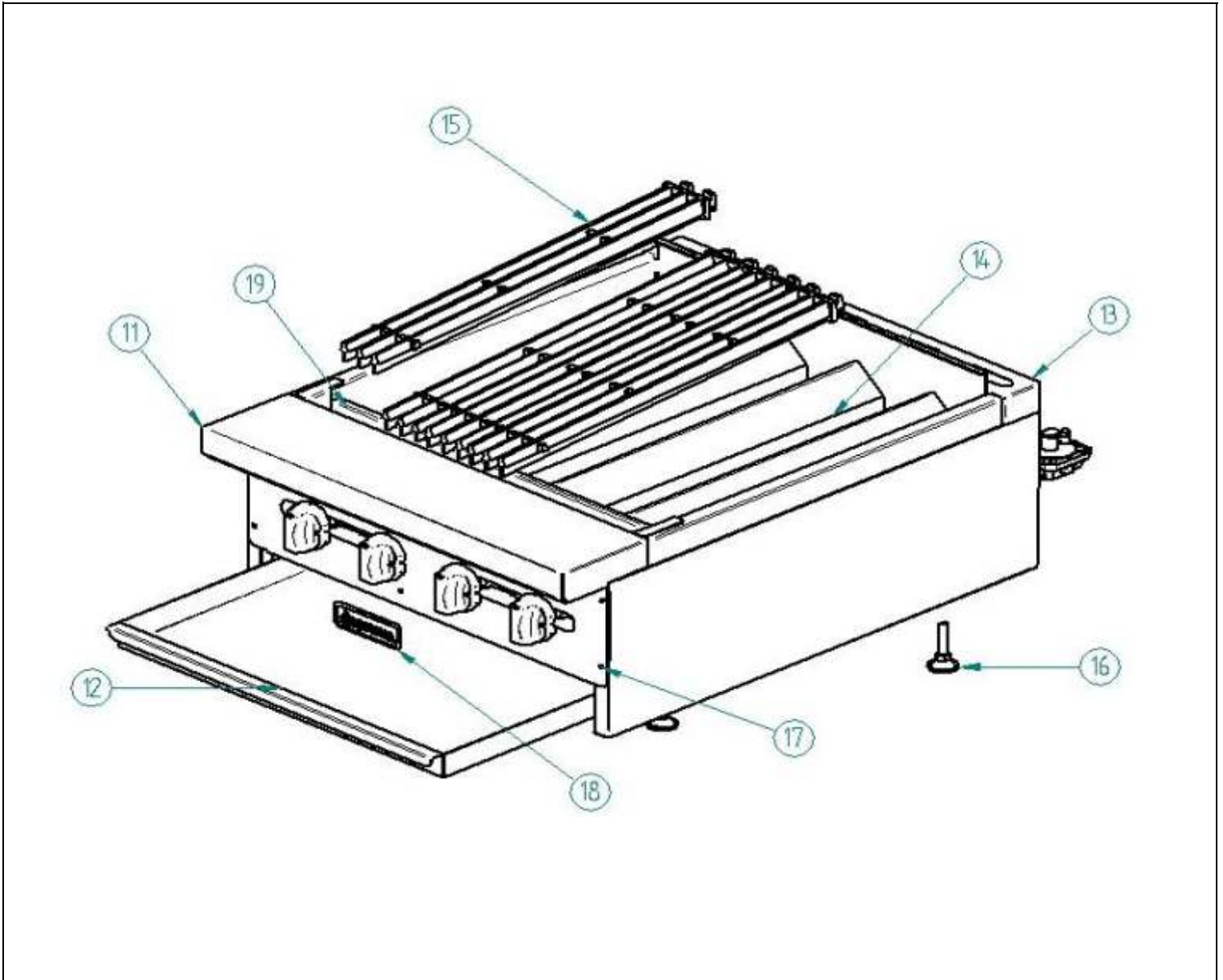
RADIANT BROILERS: Body section

SRRB -12 NG

SRRB -24 NG

SREB -36 NG

SRRB -48 NG



Notes:

SRRB -12 NG

SRRB -24 NG

SREB -36 NG

SRRB -48 NG

Versión 2014-06

| PIC # | MVP#                     | SIERRA #                   | Description                        | qty |
|-------|--------------------------|----------------------------|------------------------------------|-----|
| 1     | <a href="#">109-0031</a> | S855036000                 | MANIFOLD 12 s                      | 1   |
| 1     | <a href="#">109-0157</a> | S905010000                 | MANIFOLD 36 s                      | 1   |
| 2     | <a href="#">109-0073</a> | S865006000                 | PILOT TIP A73007                   | 8   |
| 3     | <a href="#">109-0034</a> | <a href="#">S855061000</a> | PILOT TUBE 350 S/S                 | 8   |
| 4     | <a href="#">109-0036</a> | S855068000                 | SIERRA KNOB                        | 8   |
| 5     | <a href="#">109-0047</a> | S862101000                 | TOP BURNER VALVE                   | 8   |
| 6     | <a href="#">109-0051</a> | S862408000                 | ORIFICE 50                         | 8   |
| 7     | <a href="#">109-0027</a> | S855023000                 | ELBOW 90 1/8 NPT 3/8 CC A91021     | 16  |
| 8     | <a href="#">109-0012</a> | S852131000                 | PRESSURE REGULATOR MAXITROL RV48CL | 1   |
| 9     | <a href="#">109-0043</a> | S855704000                 | SHORT FLUTE BURNER                 | 8   |
| 10    | <a href="#">109-0048</a> | S862103000                 | PILOT VALVE AP7-1                  | 1   |
| 10    | <a href="#">109-0154</a> | S905007000                 | PILOT AP6-1 DOUBLE VALVE           | 4   |
| 11    | <a href="#">109-0057</a> | S862834001                 | FRONT SHELF 24 "                   | 1   |
| 11    | <a href="#">109-0062</a> | S862859001                 | FRONT SHELF 12 "                   | 1   |
| 11    | <a href="#">109-0066</a> | S862864001                 | FRONT SHELF 36 "                   | 1   |
| 11    | <a href="#">109-0069</a> | S862868001                 | FRONT SHELF 48 "                   | 1   |
| 12    | <a href="#">109-0018</a> | S852738001                 | DRIP TRAY 36 "                     | 1   |
| 12    | <a href="#">109-0147</a> | S902688001                 | DRIP TRAY 48 "                     | 1   |
| 13    | <a href="#">109-0061</a> | S862858001                 | FLUE VENT 12 "                     | 1   |
| 13    | <a href="#">109-0065</a> | S862863001                 | FLUE VENT 36 "                     | 1   |
| 13    | <a href="#">109-0070</a> | S862869001                 | FLUE VENT 48 "                     | 1   |
| 13    | <a href="#">109-0072</a> | S862874001                 | FLUE VENT 24 "                     | 1   |
| 14    | <a href="#">109-0158</a> | S905405000                 | RADIANT. 36 "                      | 8   |
| 15    | <a href="#">109-0159</a> | S905406000                 | TOP GRILL. 36 "                    | 14  |
| 16    | <a href="#">109-0021</a> | S852865000                 | LEVELER LEG                        | 4   |
| 17    | <a href="#">109-0022</a> | S852908001                 | CONTROL PANEL 12 s                 | 1   |
| 17    | <a href="#">109-0067</a> | S862866001                 | CONTROL PANEL 48 "                 | 1   |
| 17    | <a href="#">109-0150</a> | S902842001                 | CONTROL PANEL 36 "                 | 1   |
| 18    | <a href="#">109-0037</a> | S855073000                 | SIERRA MEDIUM PLATE                | 1   |
| 19    | <a href="#">109-0153</a> | S902855001                 | COLLECTS FAT BARBECUE 48 "         | 1   |
| 19    | <a href="#">109-0151</a> | S902853001                 | COLLECTS FAT BARBECUE 24 "         | 1   |
| 19    | <a href="#">109-0152</a> | S902854001                 | COLLECTS FAT BARBECUE 36 "         | 1   |