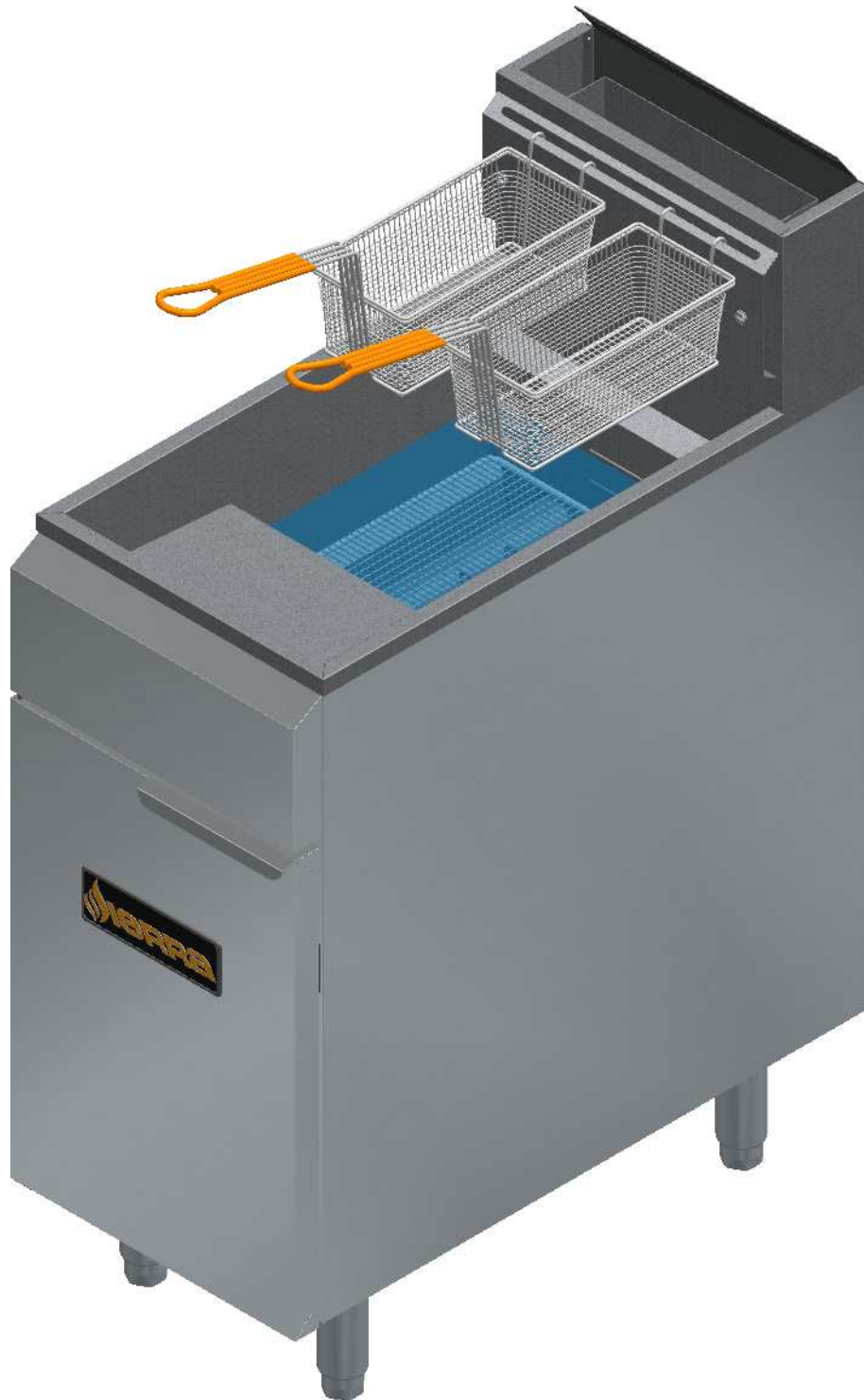




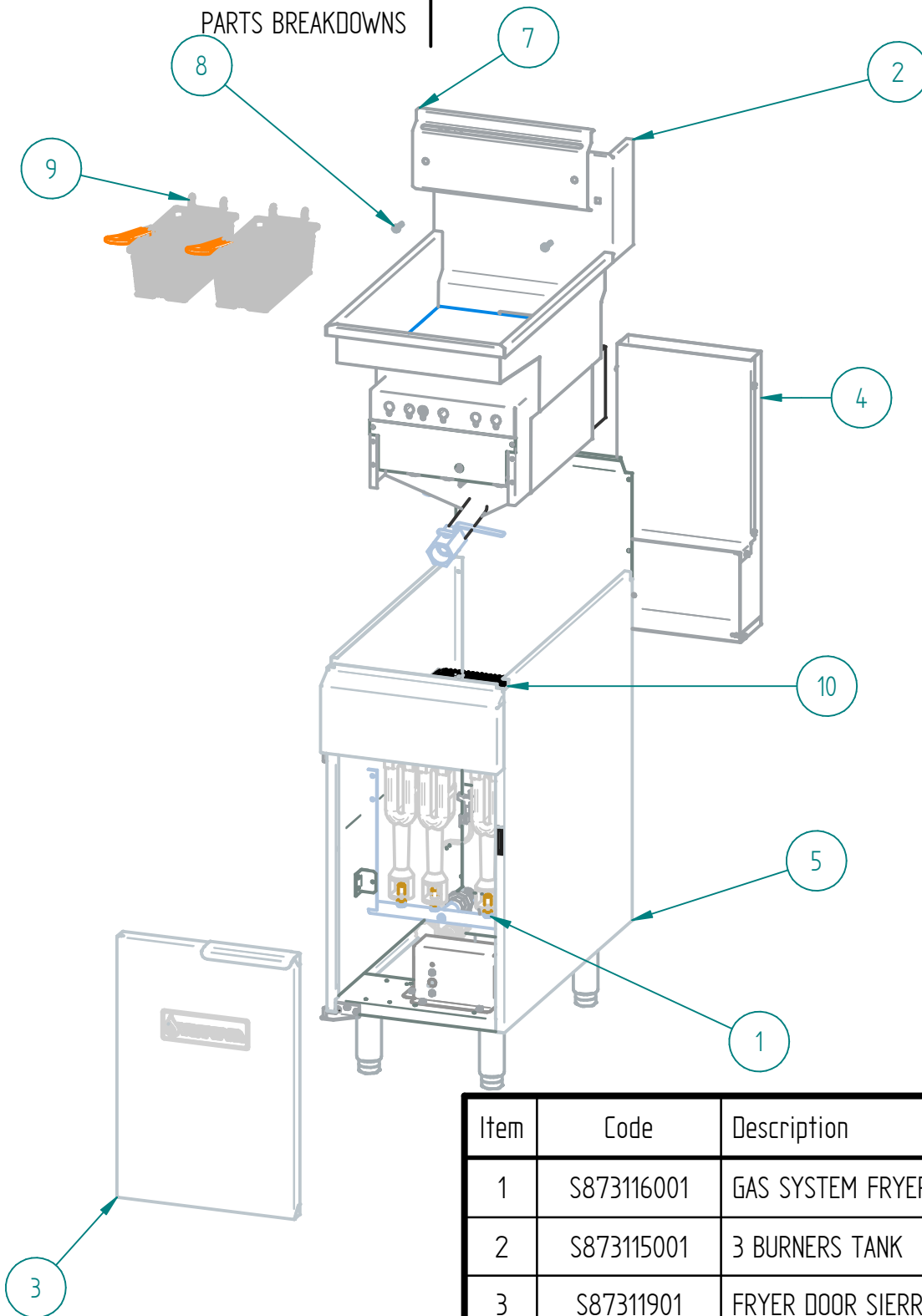
DESPIECE

PARTS BREAKDOWNS

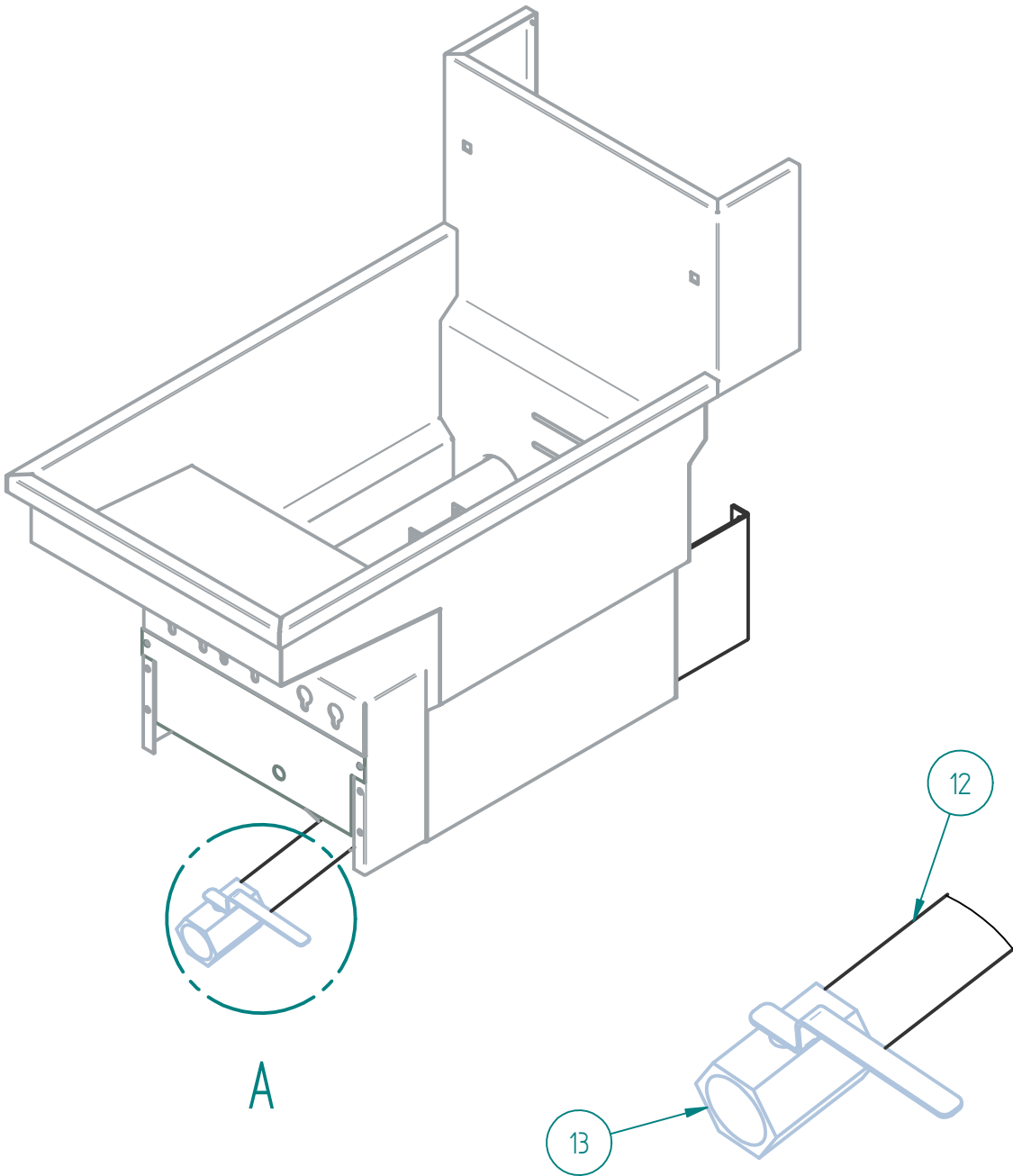


**SRF-4050**

PARTS BREAKDOWNS

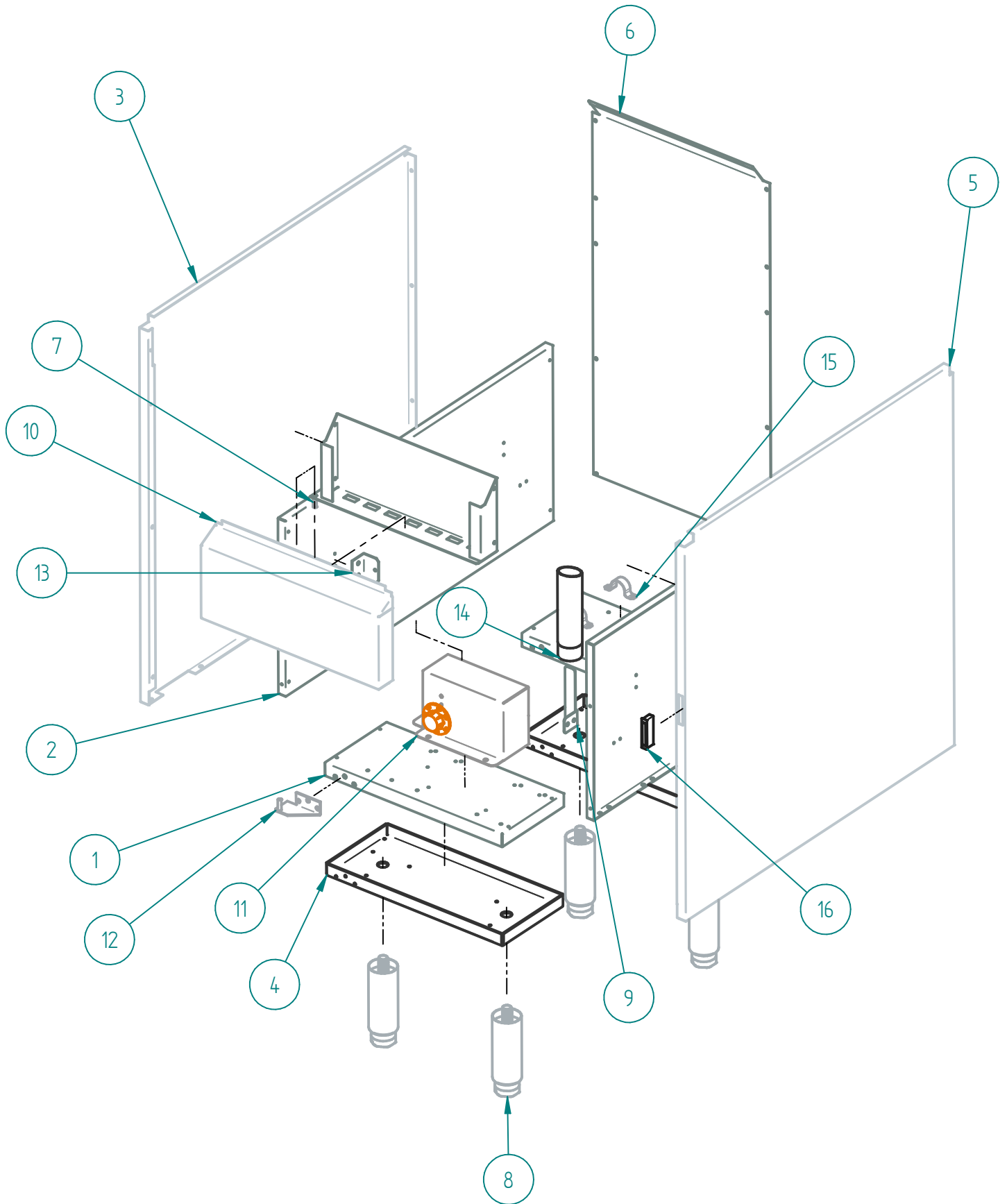


Item	Code	Description	Qty
1	S873116001	GAS SYSTEM FRYER 3 BURNERS	1
2	S873115001	3 BURNERS TANK	1
3	S87311901	FRYER DOOR SIERRA	1
4	S873111000	CHIMENY 3 BURNERS	1
7	S872829001	SIERRA FRYER SUPPORT	1
8	602505M0061	BOLT W/KNU 1/4"-20 NC CHROME	2
9	S872833000	BASKET FRYER SIERRA	2
10	S872625000	WIRE GRILL FRYER	1



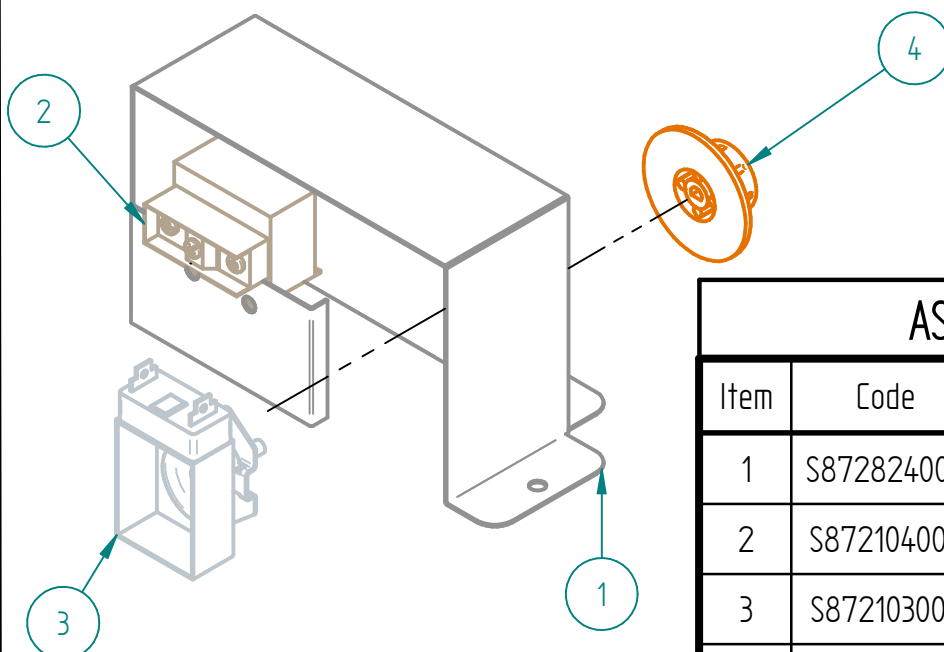
DETAIL A

Item	Code	Description	Qty
12	S876120000	DRAIN TUBE 1 1/4"	1
13	S876121000	VALVE SPHERE 1 1/4"	1



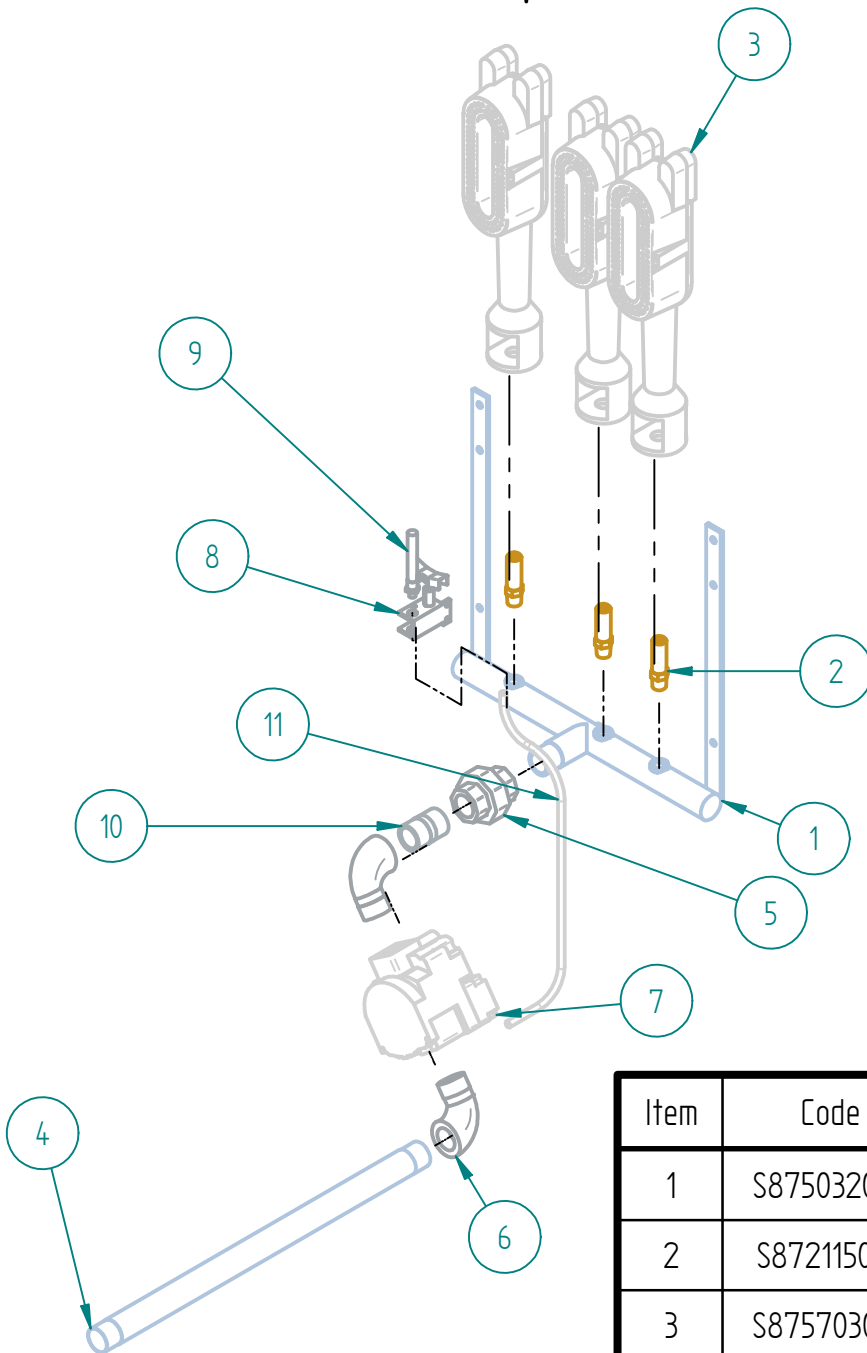
PARTS BREAKDOWNS

Item	Code	Description	Qty
1	S872818002	FRYER FLOOR	2
2	S872820001	INNER SIDE SUPPORT	2
3	S872816001	LEFT SIDE	1
4	S872642001	COUNTERFLOOR FRYER	2
5	S872817001	RIGHT SIDE	1
6	S872821001	FRYER REAR PANEL	1
7	S872823001	FRONT PANEL SUPPORT	1
8	S852961000	PATA REGULABLE 6-8 IN $\phi$ 2"	4
9	S872643001	TUBE SUPPORT	1
10	S872822001	FRONT PANEL FRYER	1
11	CONEXIONES	CONNECTIONS	1
12	S873114000	ASSEMBLY INFERIOR HINGE	1
13	S852997000	BURN SUPPORT FRYER	2
14	S876120000	DRAIN TUBE 1 1/4"	1
15	S872638000	OMEGA CLAMP 3/4"	2
16	603301M0055	CATCH MAG	1

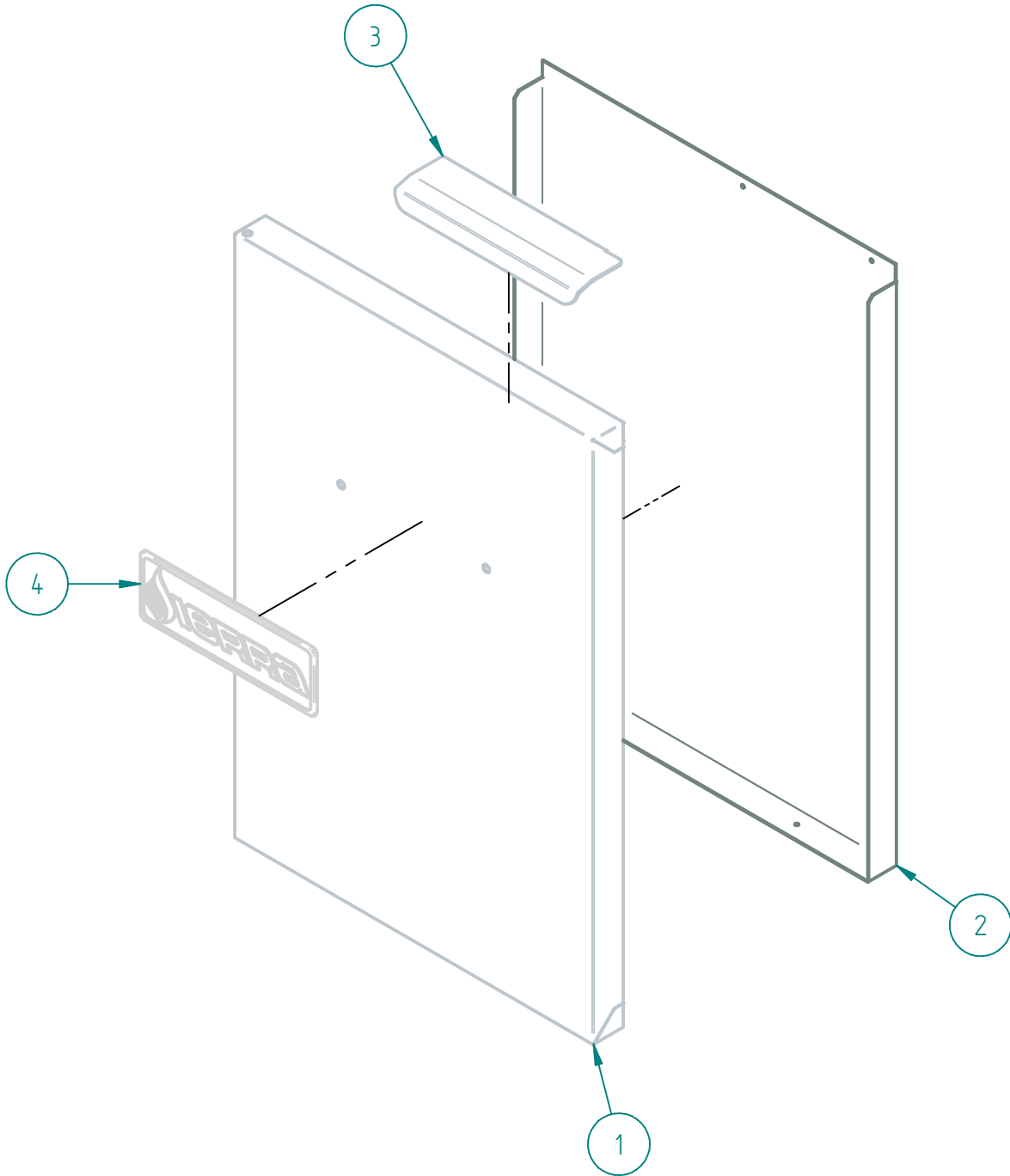


ASSEMBLY CONNECTIONS

Item	Code	Subject	Qty
1	S872824002	CONTROL SUPPORT FRYER	1
2	S872104000	HIGH LIMIT SWITCH 450°F 36" SB	1
3	S872103000	RX THERMOSTAT	1
4	S872117000	KNOB $\phi$ 2" .187SHAFT6 200-400°F	1



Item	Code	Description	Qty
1	S875032000	MANIFOLD 3 BURNS	1
2	S872115000	FRYER NOZZLE #36	3
3	S875703000	FRYER BURNER	3
4	S875023000	GAS PIPE CONECTION	1
5	S875022000	UNION NUT 3/4" FRYER	1
6	S875021000	ELBOW 3/4" FRYER	2
7	<a href="#">S872116000</a>	MILLIVOLT GAS VALVE AB007 MV NG	1
8	S872105000	AB PILOT B6H6B	1
9	<a href="#">S872106000</a>	AB THERMOCOUPLE FRYER	1
10	S875025000	PIPE NIPLE 3/4" NPT X 1 1/2"	1
11	S855079000	PILOT CONDUCTION FRYER	1



Item	Description	Code	Qty
1	FRYER DOOR	S870511001	1
2	FRYER COUNTERDOOR	S870512001	1
3	FRYER DOOR PULL	S870513001	1
4	SIERRA PLATE	S855067000	1

# S873137000 – kit Fryer NG to LP gas



Item	Code	Description	Qty
1	S872114000	FRYER NOZZLE #52	3
2	S862420000	PILOT ORIFICE LP 0.016"	1