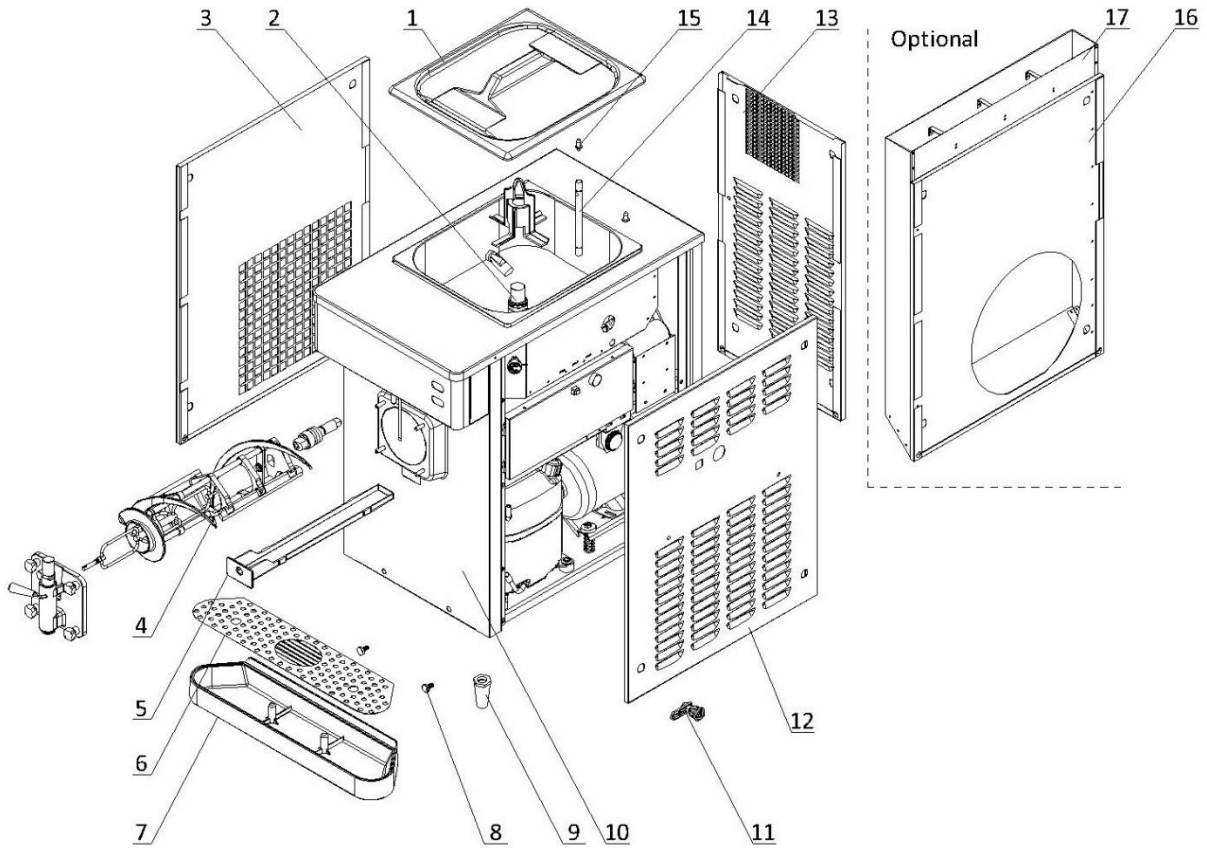


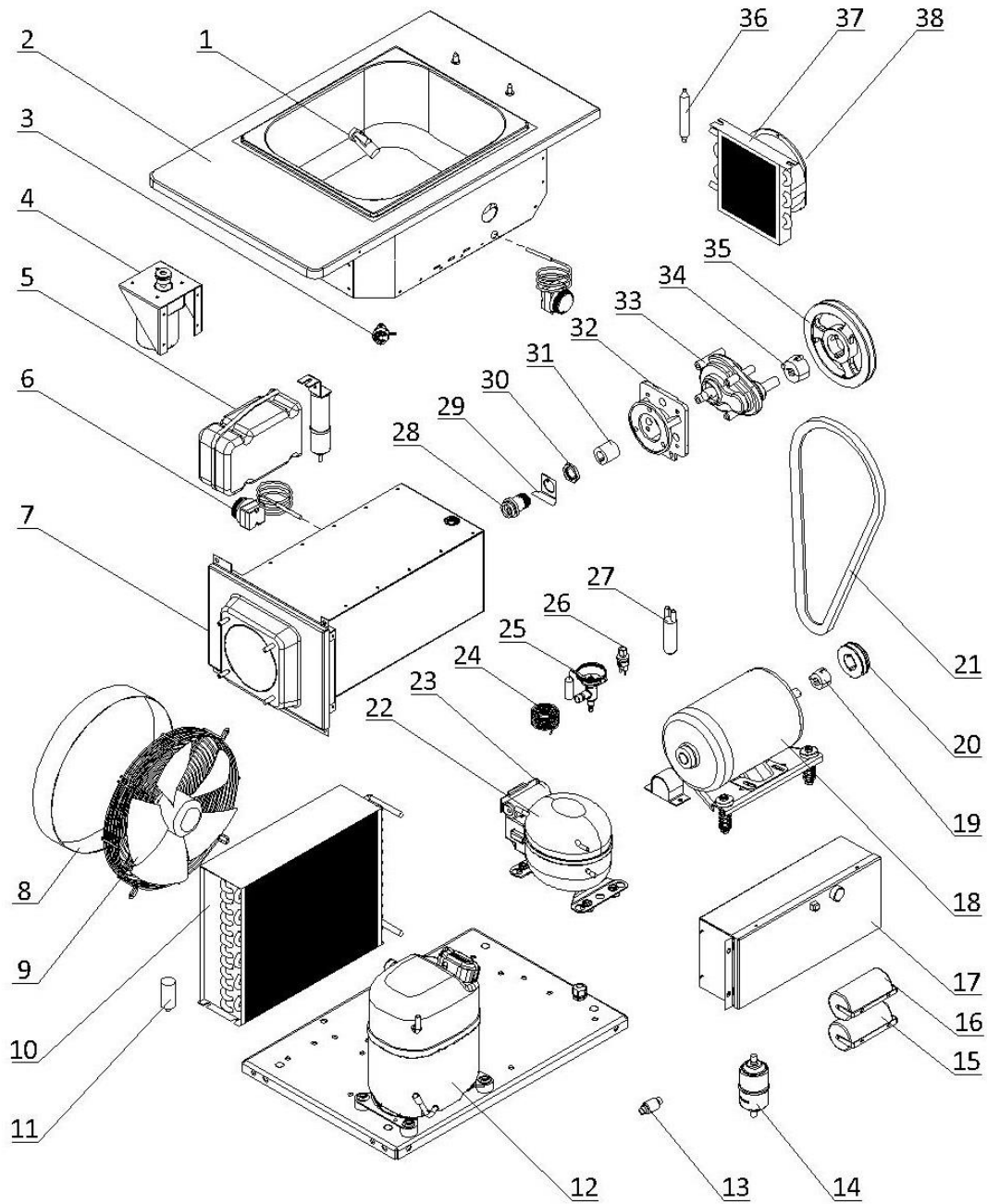
1. External Parts



1. External Parts

| Item | Part Number | Description | Qty. |
|------|-------------------------------|--|------|
| 1 | 3.4.03.02.001 | Hopper Lid - 25L | 1 |
| 2 | Page 7 | Hopper Agitator | 1 |
| 3 | 2.3.4.28.054 | Panel - Left - 6690-C | 1 |
| 4 | Page 5 | Dispensing Door and Beater | 1 |
| 5 | 3.4.04.02.006 | Internal Drip Tray - 45mm - A | 1 |
| 6 | 2.3.4.45.092 | Splash Shield - Front Drip Tray - 58mm - White - S | 1 |
| 7 | 3.4.04.01.010 | Front Drip Tray - 58mm - White | 1 |
| 8 | 3.6.39.004 | Drip Tray Mounting Bolt | 2 |
| 9 | 3.3.05.03.005 | Leg - 68mm | 4 |
| 10 | 2.3.4.26.054 | Panel - Lower Front - 6690-C | 1 |
| 11 | 8.1.07.001 | Panel Lock Assembly | 12 |
| 12 | 2.3.4.30.049 | Panel - Right - 6690-C | 1 |
| 13 | 2.3.4.23.071 | Panel - Rear - 6690-C | 1 |
| 14 | 2.1.3.39.0006 | Air Tube - FB | 1 |
| 15 | 3.6.39.011 | Hopper Lid Holder | 2 |
| 16 | 2.3.4.28.055 | Panel - Left - Air Chute - 6690-C (Optional) | 1 |
| 17 | 2.3.4.34.060 | Air Chute - 6690-C (Optional) | 1 |

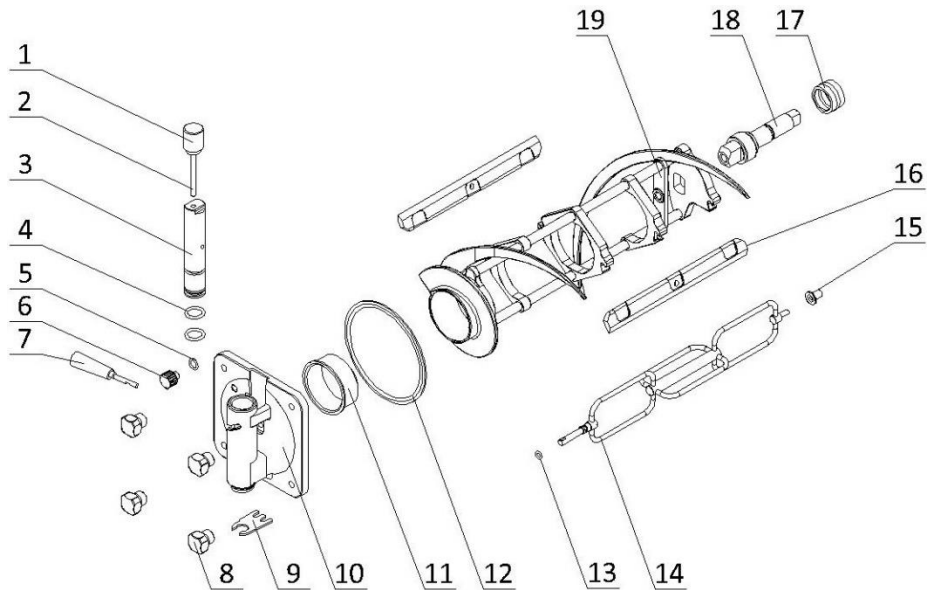
2. Internal Parts



2. Internal Parts

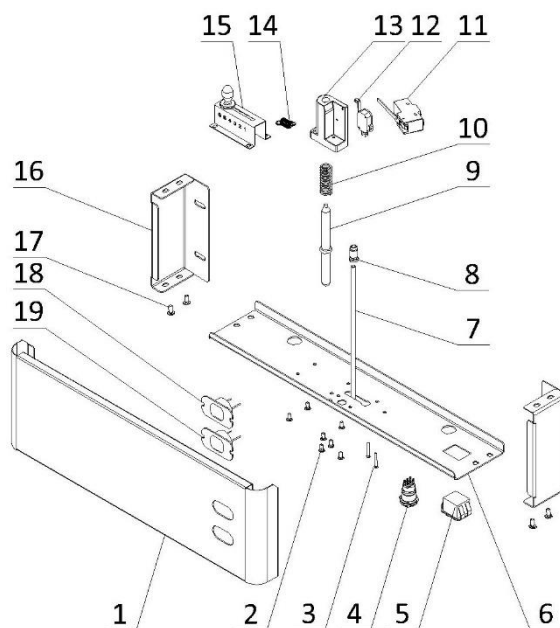
| Item | Part Number | Description | Qty. |
|------|-----------------|---|------|
| 1 | 920.1.04.0002 | Mix Low Sensor Assembly | 1 |
| 2 | 2.1.1.03.0027 | Hopper Assembly - 6690-C | 1 |
| 3 | 3.1.02.15.003 | Alarm - Low Mix - DC3-24V | 1 |
| 4 | Page 7 | Agitator Motor | 1 |
| 5 | 3.2.01.04.004 | Start Component - Compressor - CAJ2464Z | 1 |
| | 3.2.01.04.024 | Start Component - Compressor - CAJ4519Z (Alternative) | 1 |
| 6 | 3.1.01.07.003 | Thermostat - 0-40°C | 2 |
| | 3.1.01.07.002 | Thermostat - ±30°C (Alternative) | 2 |
| 7 | 2.1.1.06.0069 | Cylinder Assembly - 6690-C | 1 |
| 8 | 2.1.3.50.0001 | Fan Shroud - 155mm | 1 |
| 9 | 3.2.03.04.002 | Fan Motor - 220-60-1 - YWF4E-300S | 1 |
| 10 | 3.2.02.01.006 | Main Condenser - Single - 8m ² - 410x315x100 | 1 |
| 11 | 3.2.03.04.002-2 | Capacitor - Fan Motor - 450V - 1.5µF - CBB60 | 1 |
| 12 | 3.2.01.02.005.A | Primary Compressor - CAJ2464Z | 1 |
| | 3.2.01.02.042.A | Primary Compressor - CAJ4519Z (Alternative) | 1 |
| 13 | 3.2.04.05.010 | Copper Strainer Filter - φ12 | 1 |
| 14 | 3.2.04.05.002 | Filter Drier - Cylinder - DML083S | 1 |
| 15 | 3.1.02.22.062 | Capacitor - Start - 330V - 160µF | 1 |
| 16 | 3.1.02.22.009 | Capacitor - Running - 370V - 25µF | 1 |
| 17 | Page 8 | Electrical Box | 1 |
| 18 | 3.3.01.07.010 | Motor - 220/60/1 - 450W - K56AC66AF41 | 1 |
| 19 | 3.3.04.01.005 | Bushing - 1008-16 | 1 |
| 20 | 3.3.04.02.012 | Pulley - Beater Motor - SPA63-1-1008 | 1 |
| 21 | 3.3.03.01.022 | Belt - Motor to Beater - V-XPA850 | 1 |
| 22 | 3.2.01.01.005.A | Auxiliary Compressor - TL3G | 1 |
| 23 | 3.2.01.01.005-1 | Start Component - Compressor - TL3G | 1 |
| 24 | 3.2.05.01.003 | Capillary Tube - 2.2×0.9 | 1 |
| 25 | 3.2.04.01.013 | Thermal Expansion Valve - TUB2134 | 1 |
| | 3.2.04.01.001 | Expansion Valve - T2 (Adapters included) (Alternative) | 1 |
| 26 | 3.2.04.06.004 | High Pressure Switch - 350~500psi | 1 |
| 27 | 3.2.04.07.001 | Suction Accumulator - 25×100×0.6 | 1 |
| 28 | 3.3.02.02.002 | Rear Shell Bearing - SS (3.4qt) + FB | 1 |
| 29 | 2.3.6.04.004 | Lock Plate - Rear Shell Bearing - 42mm | 1 |
| 30 | 3.3.02.02.010 | Nut - Rear Shell Bearing | 1 |
| 31 | 3.3.02.04.009 | Coupling Drive - 3.4qt-4.0qt-7.3qt - 20mm - V2 | 1 |
| 32 | 2.1.3.15.0003 | Bracket - Gear Box - 3.4-7.3qt - 79mm | 1 |
| 33 | 3.3.02.01.024 | Gear Box - FB - 45*20 Shaft - 79mm | 1 |
| 34 | 3.3.04.01.008 | Bushing - 1610-16 | 1 |
| 35 | 3.3.04.02.006 | Pulley - Gear Box - SPA112-1-1610 | 1 |
| 36 | 3.2.04.05.001 | Filter Drier - Hopper - 16×2.2×120 | 1 |
| 37 | 3.2.02.01.001 | Auxiliary Condenser - Single - 0.7m ² | 1 |
| 38 | 3.2.03.01.001 | Fan Motor - BT220-15050S2HL | 1 |
| | 3.2.03.01.005 | Fan Motor - UF-1751B22H (Alternative) | 1 |

3. Dispensing Door and Beater Assembly



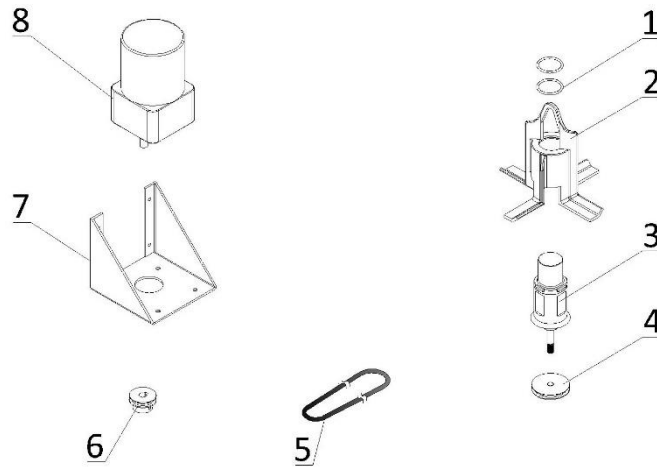
| Item | Part Number | Description | Qty. |
|------|-------------------------------|-------------------------------------|------|
| 1 | 2.1.3.36.0004 | Weight - Draw Valve - FB | 1 |
| 2 | 2.1.3.36.0003 | Pin - Draw Valve - FB | 1 |
| 3 | 2.1.3.01.0006 | Draw Valve - FB | 1 |
| 4 | 3.4.08.01.036 | O-Ring - 19x3.55 | 2 |
| 5 | 3.4.08.01.008 | O-Ring - 11.5x2.5 | 2 |
| 6 | 3.4.07.08.001 | Prime Plug - FB | 1 |
| 7 | 3.4.05.01.002 | Handle - Dispensing - FB | 1 |
| 8 | 2.1.3.32.0004 | Hand Screw - Dispensing - FB | 4 |
| 9 | 2.1.4.04.014 | Ice Buster - Dispensing - FB | 1 |
| 10 | 2.1.3.14.0006 | Dispensing Door - FB | 1 |
| 11 | 3.4.01.03.003 | Beater Guide - FB | 1 |
| 12 | 3.4.08.02.012 | Door Gasket - FB | 1 |
| 13 | 3.4.08.01.017 | O-Ring - 11x2.4 | 1 |
| 14 | 2.1.1.31.0003 | Torque Rotor - 7.3qt - V2 | 1 |
| 15 | 3.4.01.03.012 | Torque Guide - V2 | 1 |
| 16 | 3.4.02.01.006 | Scraper Blade - FB - V2 | 2 |
| | 3.4.02.01.009 | Scraper Blade - 243mm (Alternative) | 2 |
| 17 | 3.4.07.05.002 | Gasket - Drive Shaft | 1 |
| 18 | 2.1.3.25.0003 | Drive Shaft - FB | 1 |
| 19 | 2.1.1.10.0020 | Beater - FB - Standard - V2 | 1 |

4. Draw Switch and Front Control Panel Assembly



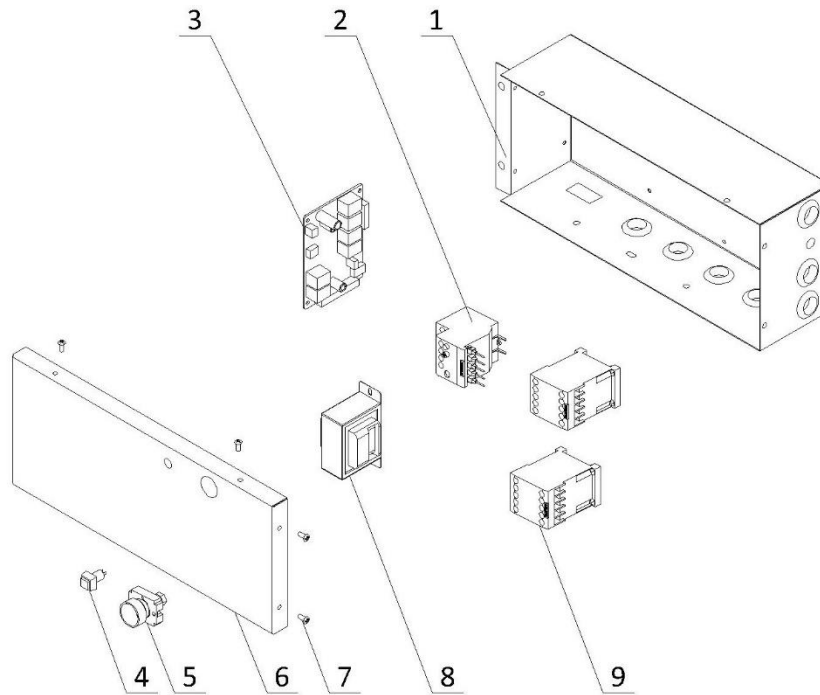
| Item | Part Number | Description | Qty. |
|------|---------------|--|------|
| 1 | 2.3.4.36.045 | Panel - Overhead Front - 6690-C | 1 |
| | 3.1.06.01.013 | Sticker - 6690-C | 1 |
| 2 | 3.6.22.028 | Screw - M4×12 | 7 |
| 3 | 3.6.22.027 | Screw - M4×30 | 2 |
| 4 | 3.1.03.04.035 | Switch - FT19QB-H22Z/S-K13P0 | 1 |
| 5 | 3.1.03.03.009 | Power Switch - RK1-01 2X3 | 1 |
| 6 | 2.3.4.39.071 | Panel - Overhead Bottom - 6690-C | 1 |
| 7 | 2.1.4.04.025 | Torque Arm - 185mm | 1 |
| 8 | 2.1.4.04.024 | Bracket - Spring - 6690-C | 1 |
| 9 | 2.1.3.50.0088 | Shaft - Draw Switch - FB - 120.3mm | 1 |
| 10 | 3.6.03.012 | Spring - Shaft - Draw Switch | 1 |
| 11 | 3.1.03.02.002 | Micro Switch - Torque Lever | 1 |
| 12 | 3.1.03.01.002 | Micro Switch - KW-7-2 | 1 |
| 13 | 3.4.07.06.008 | Bracket - Micro Switch & Shaft & Spring | 1 |
| 14 | 3.6.02.005 | Spring - Viscosity 0.7mm | 1 |
| 15 | 920.1.03.0004 | Control Levers - Viscosity Adjustment - V2 | 1 |
| 16 | 2.3.4.37.047 | Panel - Overhead Side - FB | 2 |
| 17 | 3.6.22.010 | Screw - M5x10 | 4 |
| 18 | 3.1.02.14.013 | LED Light - FB - Red | 1 |
| 19 | 3.1.02.14.011 | LED Light - FB - Blue | 1 |

5. Hopper Agitator



| Item | Part Number | Description | Qty. |
|------|-------------------------------|--|------|
| 1 | 3.4.08.01.034 | O-Ring - 31x2 | 2 |
| 2 | 2.1.1.23.0002 | Blade - Hopper Agitator - Standard - V2 | 1 |
| 3 | 2.1.1.12.0003 | Agitator Assembly - 124mm | 1 |
| 4 | 2.1.4.02.017 | Pulley - Hopper Agitator - Single - 47.6mm | 1 |
| 5 | 2.1.4.08.045 | Belt - Hopper Agitator - 415mm | 1 |
| 6 | 3.3.04.04.006 | Pulley - Hopper Agitator - Drive - 30mm | 1 |
| 7 | 2.3.4.45.003 | Bracket - Agitator Motor - 84mm | 1 |
| 8 | 3.3.01.01.006 | Motor - Agitator - 220V - YN80-25-6G | 1 |

6. Electrical Box



| Item | Part Number | Description | Qty. |
|------|-------------------------------|--|------|
| 1 | 2.2.4.17.0047 | Electrical Box - 6690-C | 1 |
| 2 | 3.1.01.02.010 | Thermal Overload Relay - 3RU6116-1EB0 | 1 |
| 3 | 2.1.1.30.0012 | Control Board - FB | 1 |
| 4 | 3.1.03.04.003 | Switch - FB - Low Mix Alarm - Green Square | 1 |
| 5 | 3.1.03.04.002 | Reset Button - Thermal Overload | 1 |
| 6 | 2.2.4.20.0043 | Cover - Electrical Box - 6690-C | 1 |
| 7 | 3.6.06.072 | Screw - M4×10 | 4 |
| 8 | 3.1.01.04.007 | Transformer - 50W - 50313MW-32 | 1 |
| 9 | 3.1.01.01.010 | Contactor - 220V - 3RT6017-1AN21 | 2 |