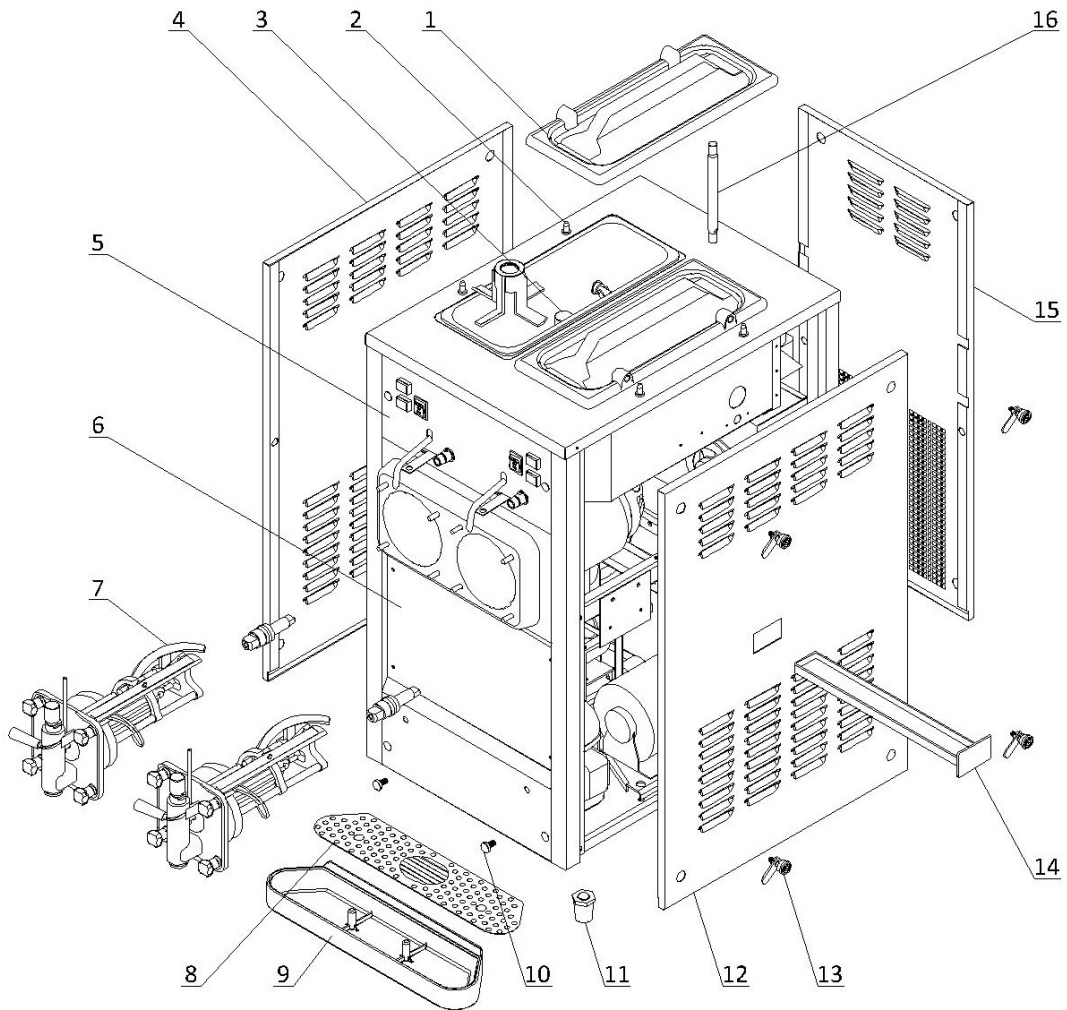


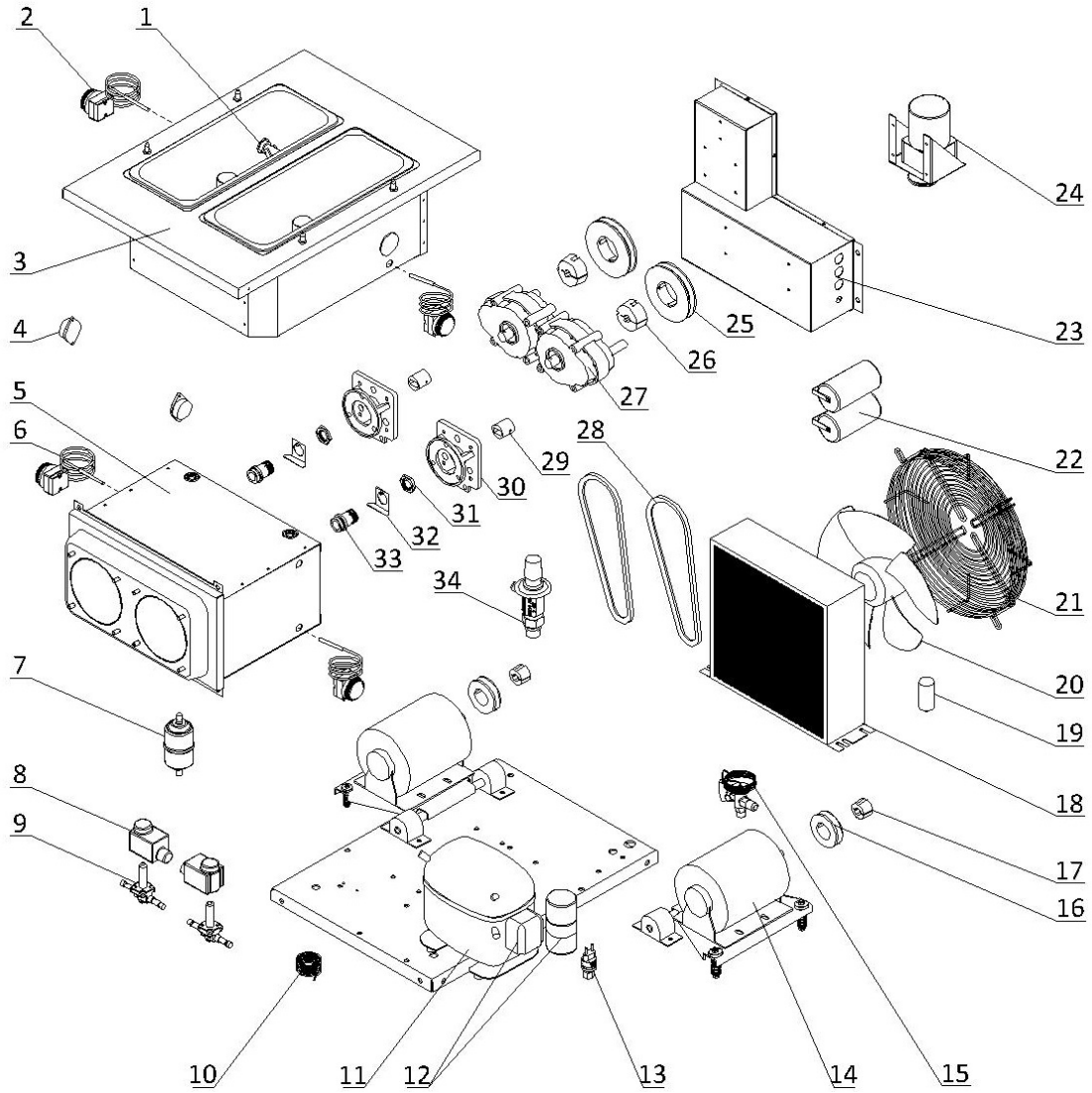
### 1. External Parts



## 1. External Parts

Item	Part Number	Description	Qty.
<b>1</b>	3.4.03.01.002	Hopper Lid - 8L Narrow	1
<b>2</b>	3.6.39.011	Hopper Lid Holder	2
<b>3</b>	Page 7	Hopper Agitator	2
<b>4</b>	2.3.4.18.016	Panel - Left - 6455	1
<b>5</b>	Page 6	Draw Switch and Front Control Panel	1
<b>6</b>	2.3.4.17.023	Panel - Lower Front - 6455	1
<b>7</b>	Page 5	Dispensing Door and Beater	1
<b>8</b>	2.3.4.45.304	Splash Shield - Front Drip Tray - 58mm - White	1
<b>9</b>	3.4.04.01.010	Front Drip Tray - 58mm - White	1
<b>10</b>	3.6.39.004	Drip Tray Mounting Bolt	2
<b>11</b>	3.3.05.03.001	Leg - 45mm	4
<b>12</b>	2.3.4.20.013	Panel - Right - 6455	1
<b>13</b>	8.1.07.001	Panel Lock Assembly	12
<b>14</b>	3.4.04.02.003	Internal Drip Tray - 25mm	1
<b>15</b>	2.3.4.13.025	Panel - Rear - 6455	1
<b>16</b>	2.1.3.39.0006	Air Tube - FB	1

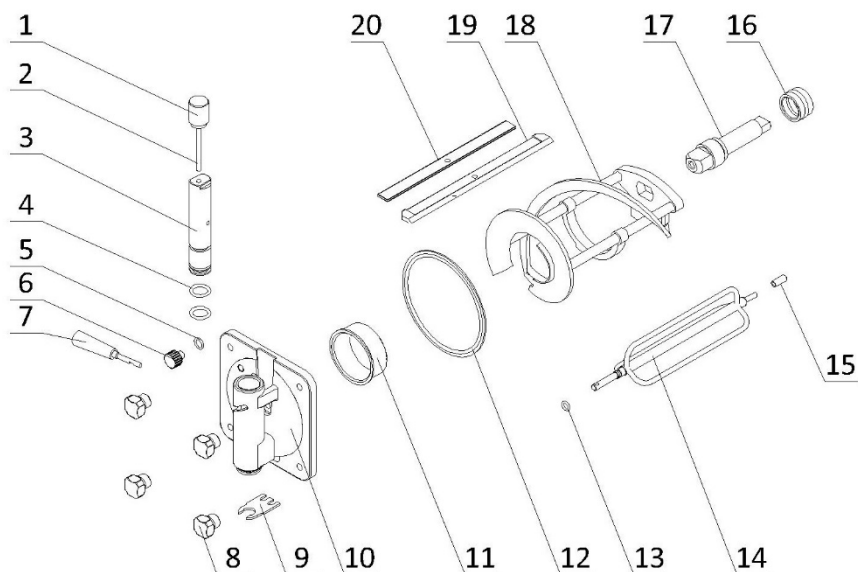
## 2. Internal Parts



## 2. Internal Parts

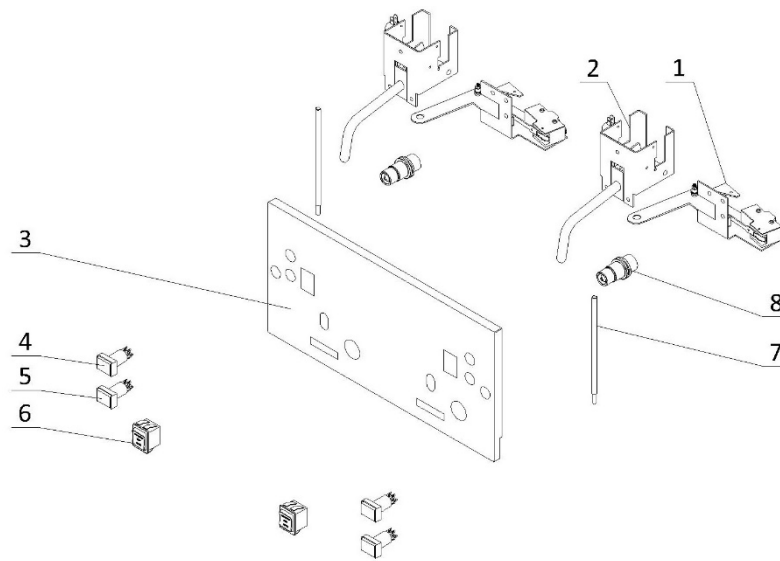
Item	Part Number	Description	Qty.
1	920.1.04.0002	Mix Low Sensor Assembly	2
2	3.1.01.07.002	Thermostat - $\pm 30^{\circ}\text{C}$	2
3	2.1.1.03.0016	Hopper Assembly - 6455	1
4	3.1.02.15.003	Alarm - Low Mix - DC3-24V	2
5	2.1.1.06.0022	Cylinder Assembly - 6455	1
6	3.1.01.07.003	Thermostat - 0-40 $^{\circ}\text{C}$	2
7	3.2.04.05.002	Filter Drier - Cylinder - DML083S	1
8	3.2.04.04.016	Solenoid Coil - EVR6	2
9	3.2.04.04.001	Solenoid Valve Body - EVR6	2
10	3.2.05.01.002	Capillary Tube - 2x0.7	1
11	3.2.01.02.038.A	Primary Compressor - SC12CLX.2	1
12	3.2.01.02.038-1	Start Component - Compressor - SC12CLX.2	1
13	3.2.04.06.004	High Pressure Switch - 350~500psi	1
14	3.3.01.07.008	Motor - 110/60/1 - 1/4HP	2
15	3.2.04.01.001	Thermal Expansion Valve - T2	1
16	3.3.04.02.012	Pulley - Beater Motor - SPA 63-1-1008	2
17	3.3.04.01.002	Bushing - 1008-14	2
18	3.2.02.01.006	Main Condenser - Single - 8m <sup>2</sup> - 410x315x100	1
19	3.2.03.04.003-2	Capacitor - Fan Motor - 450V - 10 $\mu\text{F}$ - CBB60	1
20/21	3.2.03.04.003	Fan Motor - 110-60-1 - YWF4E-300S	1
22	3.1.02.22.008	Capacitor - Start/Running - 250V - 100-120 $\mu\text{F}$	2
23	Page 8	Electrical Box	1
24	Page 7	Agitator Motor Assembly	1
25	3.3.04.02.006	Pulley - Gear Box - SPA112-1-1610	2
26	3.3.04.01.008	Bushing - 1610-16	2
27	3.3.02.01.024	Gear Box - FB - 45*20 Shaft - 79mm	2
28	3.3.03.03.007	Belt - Motor - Beater - V-A813	2
29	3.3.02.04.006	Coupling Drive - 3.4qt-4.0qt-7.3qt - 20mm	2
30	2.1.3.15.0003	Bracket - Gear Box - 3.4-7.3qt - 79mm	2
31	3.3.02.02.010	Nut - Rear Shell Bearing	2
32	2.3.6.04.004	Lock Plate - Rear Shell Bearing - 42mm	2
33	3.3.02.02.002	Rear Shell Bearing - SS (3.4qt) + FB	2
34	3.2.04.01.003	Hot Gas Bypass - ACP-4	1

### 3. Dispensing Door and Beater Assembly



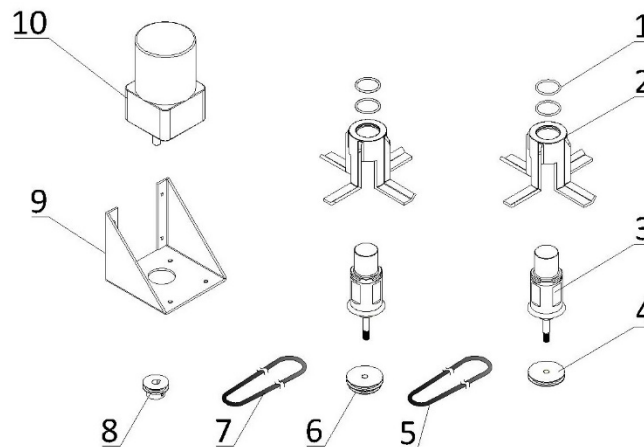
Item	Part Number	Description	Qty.
1	2.1.3.36.0004	Weight - Draw Valve - FB	2
2	2.1.3.36.0003	Pin - Draw Valve - FB	2
3	2.1.3.01.0006	Draw Valve - FB	2
4	3.4.08.01.036	O-Ring - 19x3.55	4
5	3.4.08.01.008	O-Ring - 11.5x2.5	2
6	3.4.07.08.001	Prime Plug - FB	2
7	3.4.05.01.002	Handle - Dispensing - FB	2
8	2.1.3.32.0004	Hand Screw - Dispensing - FB	8
9	2.1.4.04.014	Ice Buster - Dispensing - FB	2
10	2.1.3.14.0006	Dispensing Door - FB	2
11	3.4.01.03.003	Beater Guide - FB	2
12	3.4.08.02.005	Door Gasket - FB	2
13	3.4.08.01.017	O-Ring - 11x2.4	2
14	2.1.1.31.0002	Torque Rotor - 4.0qt	2
15	3.4.01.03.004	Torque Guide	2
16	3.4.07.05.002	Gasket - Drive Shaft	2
17	2.1.3.25.0003	Drive Shaft - FB	2
18	2.1.1.10.0003	Beater - FB - Small	2
19	3.4.02.01.003	Plastic - Scraper Blade - FB/6210	2
20	2.3.4.04.003	Clip - Scraper Blade - FB/6210	2

#### 4. Draw Switch and Front Control Panel Assembly



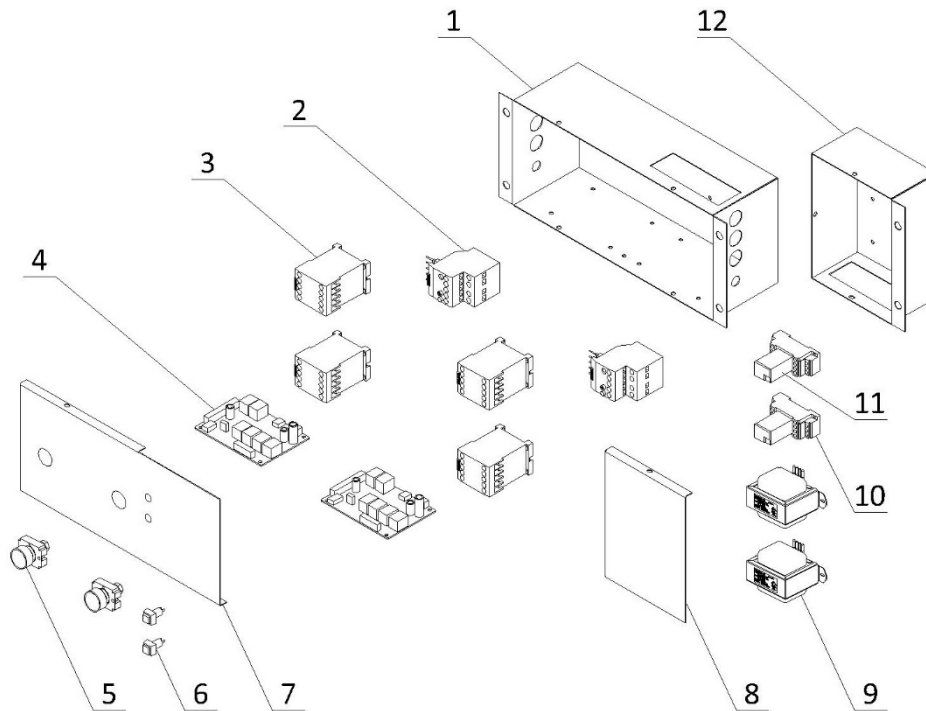
Item	Part Number	Description	Qty.
1	920.1.03.0002	Control Levers - Toque Lever	2
2	920.1.03.0003	Control Levers - Dispensing Switch	2
3	2.3.4.07.056	Panel - Draw Switch - 6455	1
4	3.1.02.14.001	Light - FB - Low Mix	2
5	3.1.03.04.015	Standby Switch - FB - Amber Light	2
6	3.1.03.03.002	Power Switch - KCD2-3	2
7	2.3.6.03.007	Torque Arm - 150mm - FB	2
8	920.1.03.0001	Control Levers - Viscosity Adjustment	2

## 5. Hopper Agitator



Item	Part Number	Description	Qty.
1	3.4.08.01.034	O-Ring - 31x2	4
2	2.1.1.23.0002	Blade - Hopper Agitator - Standard - V2	2
3	2.1.1.12.0002	Agitator Assembly - 137mm	2
4	2.1.4.02.015	Pulley - Hopper Agitator - Single - 53mm	1
5	2.1.4.08.005	Belt - Hopper Agitator - 510mm	1
6	2.1.4.02.016	Pulley - Hopper Agitator - Double - 53mm	1
7	2.1.4.08.025	Belt - Hopper Agitator - 580mm	1
8	3.3.04.04.005	Pulley - Hopper Agitator - Motor - 38.9mm	1
9	2.3.4.45.003	Bracket - Agitator Motor - 84mm	1
10	3.3.01.01.008	Motor - Agitator - 110V - YN80-25-6G	1

## 6. Electrical Box



Ite	Part Number	Description	Qty.
1	2.2.4.17.0023	Electrical Box - 6455 #1	1
2	3.1.01.02.011	Thermal Overload Relay - 3RU6116-1GB0	2
3	3.1.01.01.011	Contactors - 110V - 3RT6017-1AF01	4
4	2.1.1.30.0012	Control Board - FB	2
5	3.1.03.04.002	Reset Button - Thermal Overload	2
6	3.1.03.04.003	Switch - FB - Low Mix Alarm - Green Square	2
7	2.2.4.20.0023	Cover - Electrical Box - 6455 #1	1
8	2.2.4.20.0024	Cover - Electrical Box - 6455 #2	1
9	3.1.01.04.007	Transformer - 50W - 50313MW232	2
10	3.1.01.03.031	Base - Relay -TP514X1-E	2
11	3.1.01.03.032	Intermediate Relay - AC110V - HH54P-L	2
12	2.2.4.17.0024	Electrical Box - 6455 #2	1