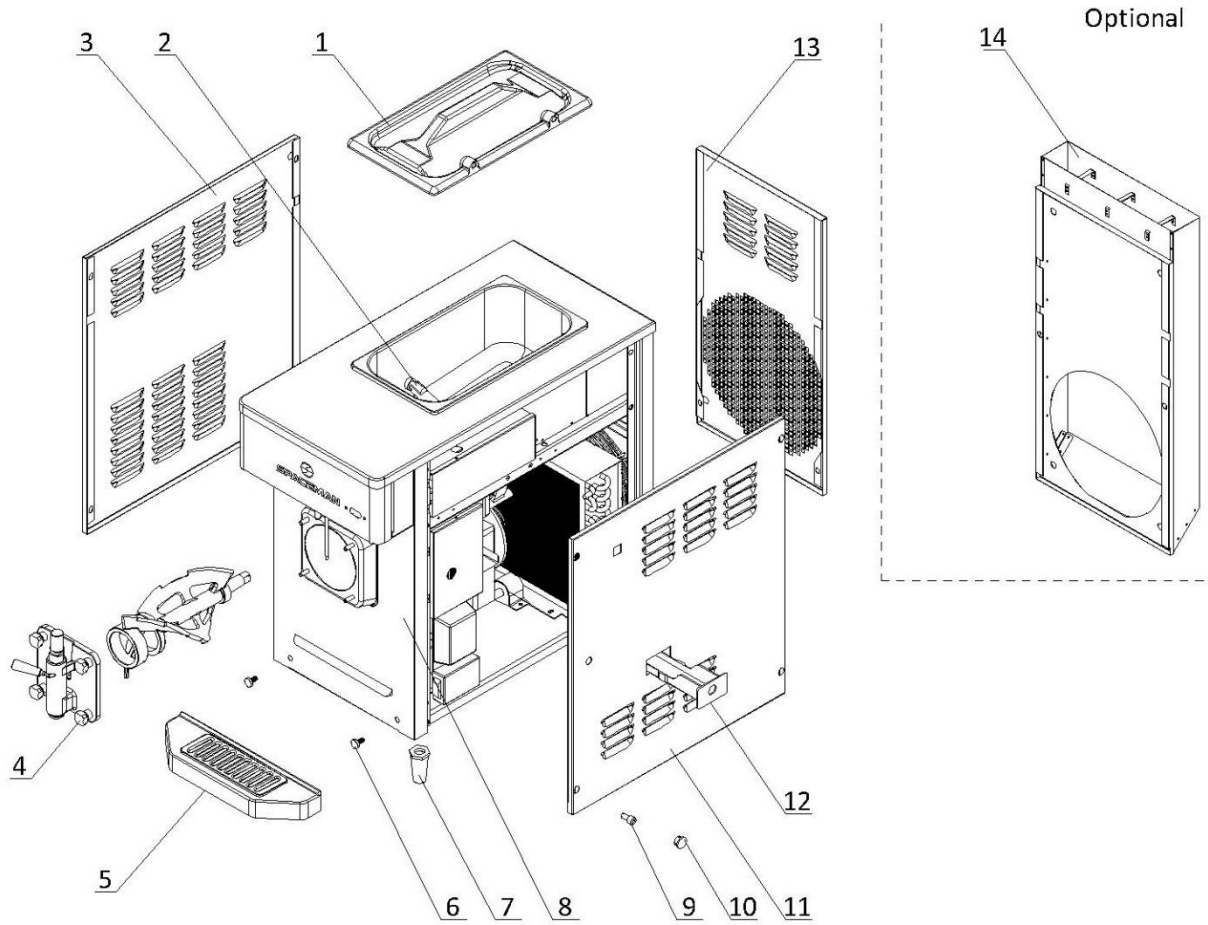


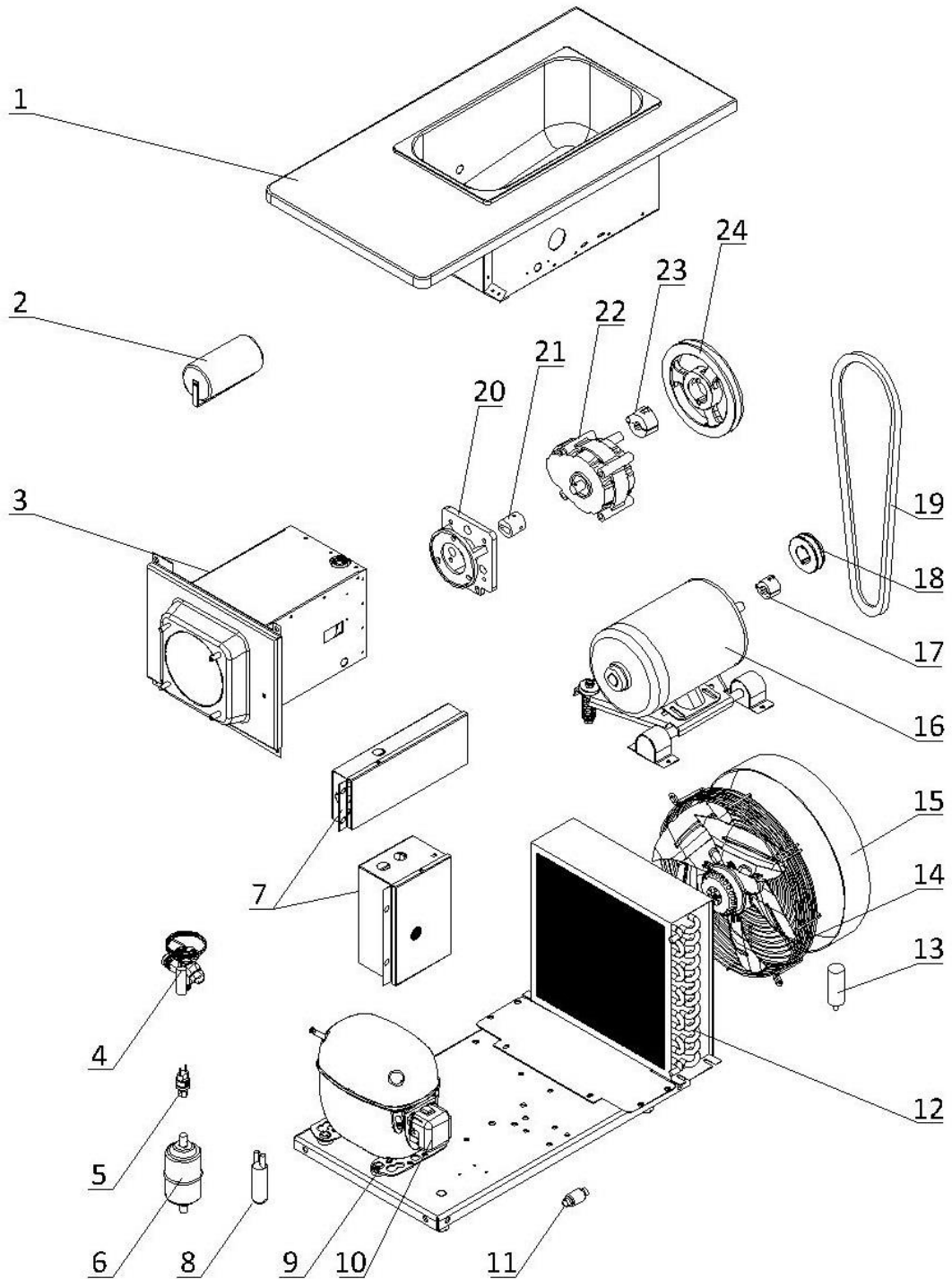
1. External Parts



1. External Parts

Item	Part Number	Description	Qty.
1	3.4.03.01.004	Hopper Lid - 12-15L	1
2	920.1.04.0002	Mix Low Sensor Assembly	1
3	2.3.4.28.042	Panel - Left - 6450-C	1
4	Page 5	Dispensing Door and Beater	1
5	3.4.04.01.002	Front Drip Tray - 37.2mm	1
6	3.6.39.004	Drip Tray Mounting Bolt	2
7	3.3.05.03.005	Leg - 68mm	4
8	2.3.4.26.057	Panel - Lower Front - 6450-C	1
9	3.6.11.041	Screw - M8x16	12
10	3.4.07.01.041	Bolt Hole Cover	12
11	2.3.4.30.037	Panel - Right - 6450-C	1
12	3.4.04.02.002	Internal Drip Tray - 28mm	1
13	2.3.4.23.009	Panel - Rear - 6450-C	1
14	2.3.4.34.062	Air Chute Assembly - 6450 (Optional)	1

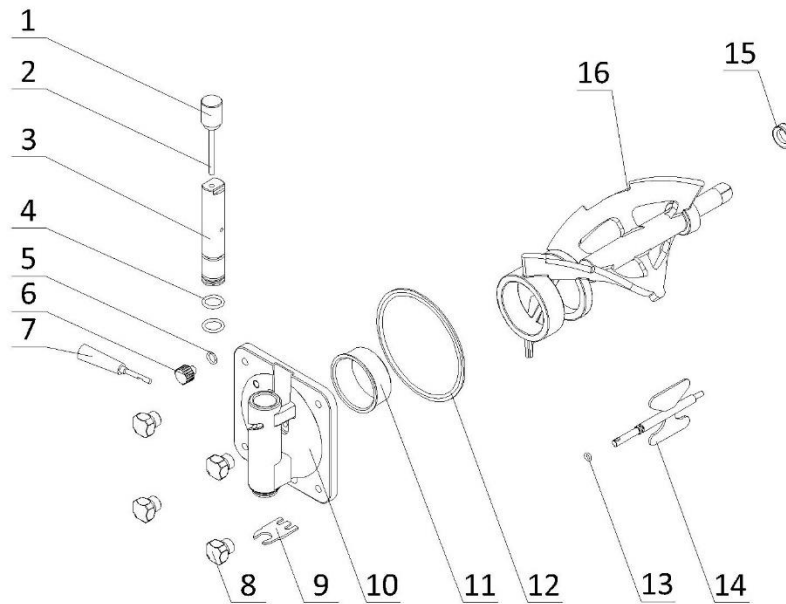
2. Internal Parts



2. Internal Parts

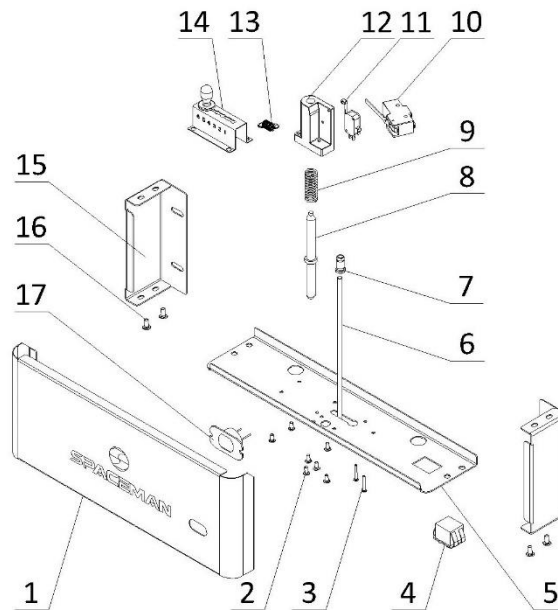
Item	Part Number	Description	Qty.
1	2.1.1.02.0072	Hopper Assembly - 6450-C	1
2	3.1.02.22.008	Capacitor - Start/Running - 250V - 100-120μF	1
3	2.1.1.06.0160	Cylinder Assembly - 6450-C	1
4	3.2.04.01.011	Thermal Expansion Valve - TUB2131	1
5	3.2.04.06.004	High Pressure Switch - 350~500psi	1
6	3.2.04.05.002	Filter Drier - Cylinder - DML083S	1
7	Page 7	Electrical Box	1
8	3.2.04.07.002	Suction Accumulator - 30×155×10	1
9	3.2.01.02.038.A	Primary Compressor - SC12CLX.2	1
10	3.2.01.02.038-1	Start Component - Compressor - SC12CLX.2	1
11	3.2.04.05.009	Copper Strainer Filter - φ9.52	1
12	3.2.02.01.003	Main Condenser - Single - 5m ²	1
13	3.2.03.04.003-2	Capacitor - Fan Motor - 450V - 10μF - CBB60	2
14	3.2.03.04.003	Fan Motor - 110-60-1 - YWF4E-300S	2
15	2.1.3.50.0001	Fan Shroud - 155mm	1
16	3.3.01.07.008	Motor - 110/60/1 - 1/4HP	1
17	3.3.04.01.002	Bushing - 1008-14	1
18	3.3.04.02.012	Pulley - Beater Motor - SPA63-1-1008	1
19	3.3.03.03.017	Belt - Motor - Beater - V-A737	1
20	2.1.3.15.0003	Bracket - Gear Box - 3.4-7.3qt - 79mm	1
21	3.3.02.03.006	Coupling Drive - V3	1
22	3.3.02.01.024	Gear Box - FB - 45*20 Shaft - 79mm	1
23	3.3.04.01.008	Bushing - 1610-16	1
24	3.3.04.02.020	Pulley - Gear Box - SPA160-1-1610	1

3. Dispensing Door and Beater



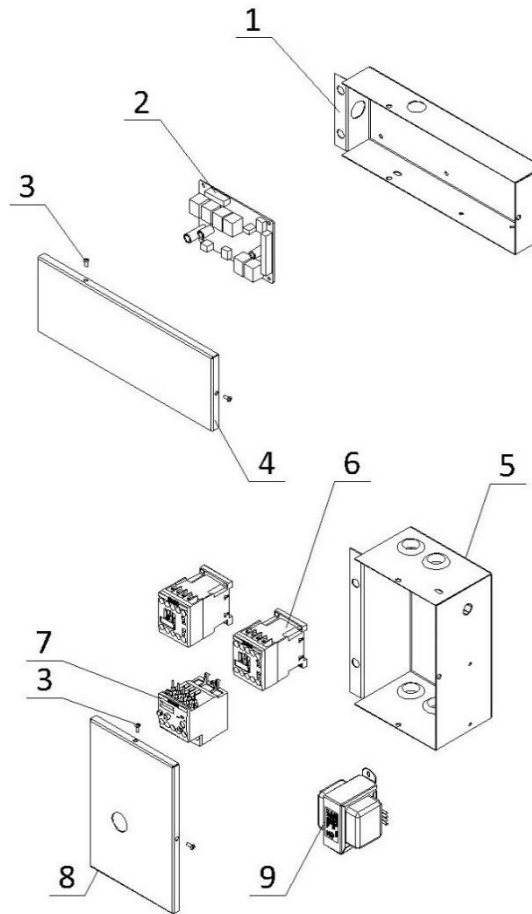
Item	Part Number	Description	Qty.
1	2.1.3.36.0004	Weight - Draw Valve - FB	1
2	2.1.3.36.0003	Pin - Draw Valve - FB	1
3	2.1.3.01.0006	Draw Valve - FB	1
4	3.4.08.01.036	O-Ring - 19x3.55	2
5	3.4.08.01.008	O-Ring - 11.5x2.5	2
6	3.4.07.08.001	Prime Plug - FB	1
7	3.4.05.01.002	Handle - Dispensing - FB	1
8	2.1.3.32.0004	Hand Screw - Dispensing - FB	4
9	2.1.4.04.014	Ice Buster - Dispensing - FB	1
10	2.1.3.14.0006	Dispensing Door - FB	1
11	3.4.01.03.016	Beater Guide - FB - V3	1
12	3.4.08.02.012	Door Gasket - FB	1
13	3.4.08.01.017	O-Ring - 11x2.4	1
14	2.1.1.31.0005	Torque Rotor - 7.3qt - V3	1
15	3.4.07.05.007	Gasket - Beater	1
16	2.1.1.25.0018	Beater - FB - Standard - V3	1

4. Draw Switch and Front Control Panel



Item	Part Number	Description	Qty.
1	2.3.4.36.031	Panel - Overhead Front - 6450-C	1
	3.1.06.01.019	Sticker - 6450-C	1
2	3.6.22.028	Screw - M4×12	7
3	3.6.22.027	Screw - M4×30	2
4	3.1.03.03.009	Power Switch - RK1-01 2X3	1
5	2.3.4.39.068	Panel - Overhead Bottom - 6650-C	1
6	2.1.4.04.025	Torque Arm - 185mm	1
7	2.1.4.04.024	Bracket - Spring - 6690-C	1
8	2.1.3.50.0088	Shaft - Draw Switch - FB - 120.3mm	1
9	3.6.03.012	Spring - Shaft - Draw Switch	1
10	3.1.03.02.002	Micro Switch - Torque Lever	1
11	3.1.03.01.002	Micro Switch - KW-7-2	1
12	3.4.07.06.008	Bracket - Micro Switch & Shaft & Spring	1
13	3.6.02.005	Spring - Viscosity 0.7mm	1
14	920.1.03.0004	Control Levers - Viscosity Adjustment - V2	1
15	2.3.4.37.047	Panel - Overhead Side - FB	1
16	3.6.22.010	Screw - M5x10	4
17	3.1.02.14.013	LED Light - FB - Red	1

5. Electrical Box



Item	Part Number	Description	Qty.
1	2.2.4.23.0003	Control Box - 6450	1
2	2.1.1.30.0012	Control Board - FB	1
3	3.6.19.001	Screw - M4x8	4
4	2.2.4.23.0004	Cover - Control Box - 6450	1
5	2.2.4.17.0010	Electrical Box - 6450	1
6	3.1.01.01.011	Contactor - 3RT6017-1AF01	2
7	3.1.01.02.012	Thermal Overload Relay - 3RU6116-1HB0	1
8	2.2.4.20.0010	Cover - Electrical Box - 6450	1
9	3.1.01.04.007	Transformer - 50W - 50313MW-32	1