



IMPORTANT FOR FUTURE REFERENCE
 Please complete this information and retain this manual for the life of the equipment:

Model #: _____
 Serial #: _____
 Date Purchased: _____

PLATINUM SERIES GAS CONVECTION OVEN PARTS MANUAL

PCG50S/S PCG70S/S PCG90S/S
 PCG50S/T PCG70S/T PCG90S/T
 PCG50B/S PCG70B/S PCG90B/S
 PCG50B/T PCG70B/T PCG90B/T

PCG100S/S PCG140S/S PCG180S/S
 PCG100S/T PCG140S/T PCG180S/T
 PCG100B/S PCG140B/S PCG180B/S
 PCG100B/T PCG140B/T PCG180B/T



Model PCG70S/S



Model PCG140S/S

SOUTHBEND

 **MIDDLEBY** A Middleby Company

1100 Old Honeycutt Road Fuquay-Varina, North Carolina 27526 USA

www.southbendnc.com



PARTS

NOTICE

Installation of other than Genuine Southbend Parts will void the warranty on this equipment.

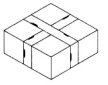
The serial plate with voltage, model, and serial information is located inside the lower front panel of the oven.

Replacement parts may be ordered either through a Southbend Authorized Parts Distributor or a Southbend Authorized Service Agency. It is recommended to verify part numbers with a Southbend Authorized Parts Supplier or the Southbend Parts/Service Dept. prior to ordering parts.

When ordering parts, you will need to supply the Model Number, Serial Number, Part Number, Description, Finish, and Electrical Characteristics as applicable to the unit.

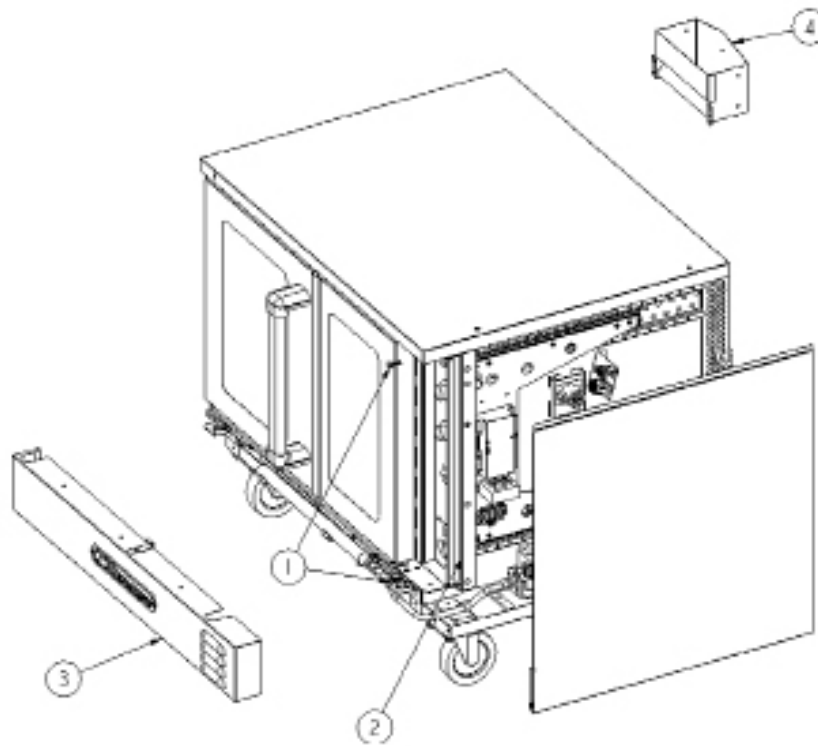
For parts not listed, contact a Southbend Authorized Parts Distributor or Southbend Authorized Service Agency. You can find an Authorized Parts Distributor or Service Agency in your area by going to www.southbendnc.com/service.html. If this information is not available, contact the Parts/Service Dept. at Southbend to obtain specific part availability and information.

Index of Parts Diagrams	
PAGE NUMBER	DESCRIPTION
3	Front Panel and Flue Parts
4	Door Parts
5	Door Chain Mechanism Parts
6	Control Panel Parts for Models with Standard Controls
8	Control Panel Parts for Models with Touch Control
10	Internal Gas Supply and Slide Mount Parts
11	Burner Compartment Parts
12	Oven Interior ,Lights and Fan Motor Parts
13	Leg Parts for Single-Deck Models
14	Storage Rack Parts
15	Double-Deck Oven Stacking Parts
16	Leg Parts for Double-Deck Ovens



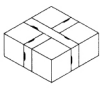
FRONT PANEL AND FLUE PARTS

Figure 1



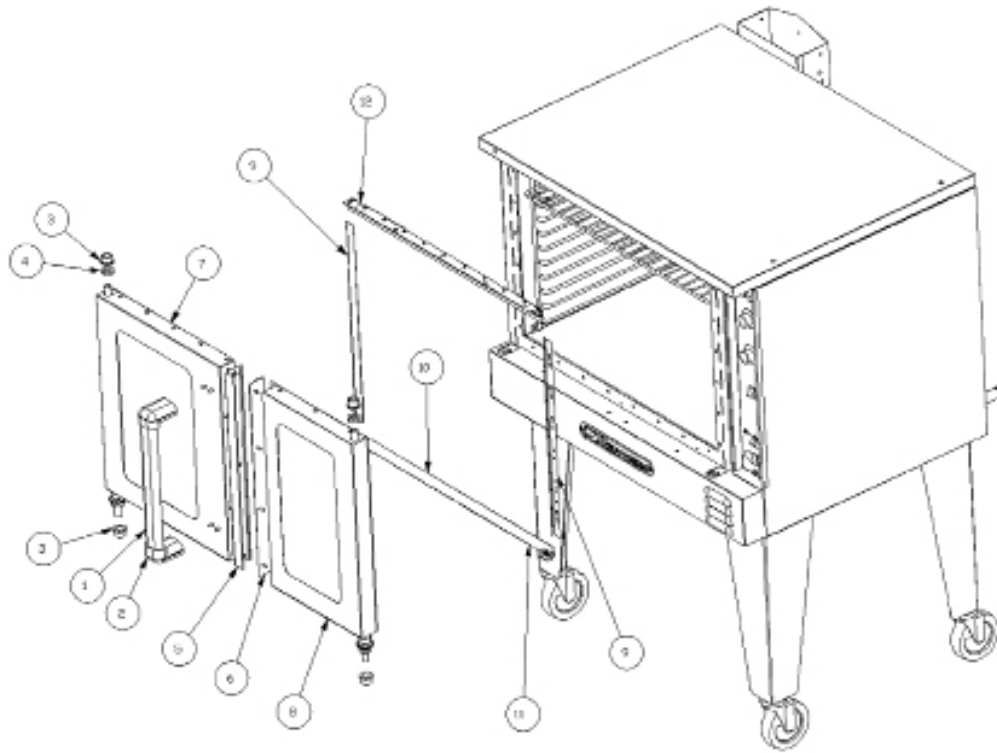
KEY	PART NUMBER	QTY	DESCRIPTION
1	1179703	2	Thumbscrew for control panel
2	1197799	1	Control Panel Sealing Plate Assembly
3	1177867	1	Panel, front louver, co
4	1181838	1	Flue box, w/a, co
*	4440502	1	Down draft diverter kit

* not shown on drawing.



DOOR PARTS

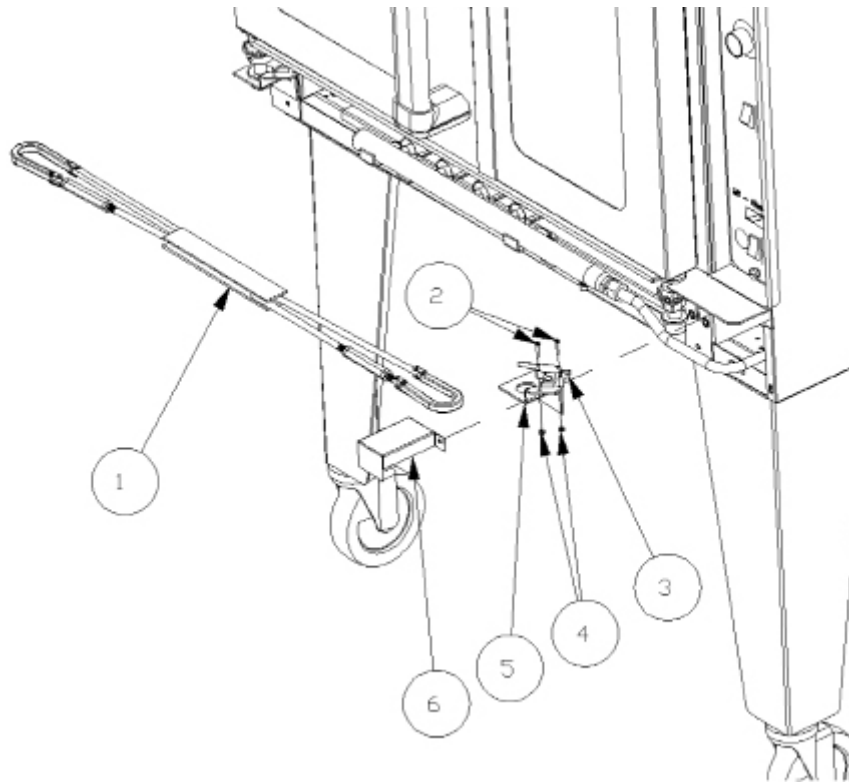
Figure 2



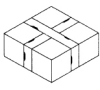
KEY	PART NUMBER	QTY	DESCRIPTION
1	1197269	1	Handle (part of left door assembly)
2	1197282	2	End Cap (part of left door assembly)
3	1164527	4	Bushing, bronze
4	1164547	2	Spacer, Door shaft
5	1197537	1	Center door seal, left door
6	1197526	1	Center strike plate, right door
	1197538	1	Center door seal, right door
7	1198056	1	Door assembly, left, window, CO
	1197732	1	Door assembly, left, solid, CO
8	1198057	1	Door assembly, right, window, CO
	1197736	1	Door assembly, right, solid, CO
9	1191438	2	Door seal, left & right, CO
10	1191444	1	Door seal, bottom, metal, CO
11	1197506	1	Door seal assembly, bottom, CO
12	1197502	1	Door seal assembly, top, CO

DOOR CHAIN MECHANISM PARTS

Figure 3

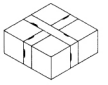


KEY	PART NUMBER	QTY	DESCRIPTION
1	1195493	1	Door Chain assembly
2	1172326	2	Screw, #4-40 x 3/4, zinc plated
3	1177567	1	Switch, door, spdt, 15 amp
4	1172327	2	Nut #4-40, zinc plated, hex
5	1199749	2	Bracket, door switch
6	1197886	1	Shield, Switch Cover

**CONTROL PANEL PARTS FOR MODELS WITH STANDARD CONTROLS (SC MODELS)**

See drawing on following page.

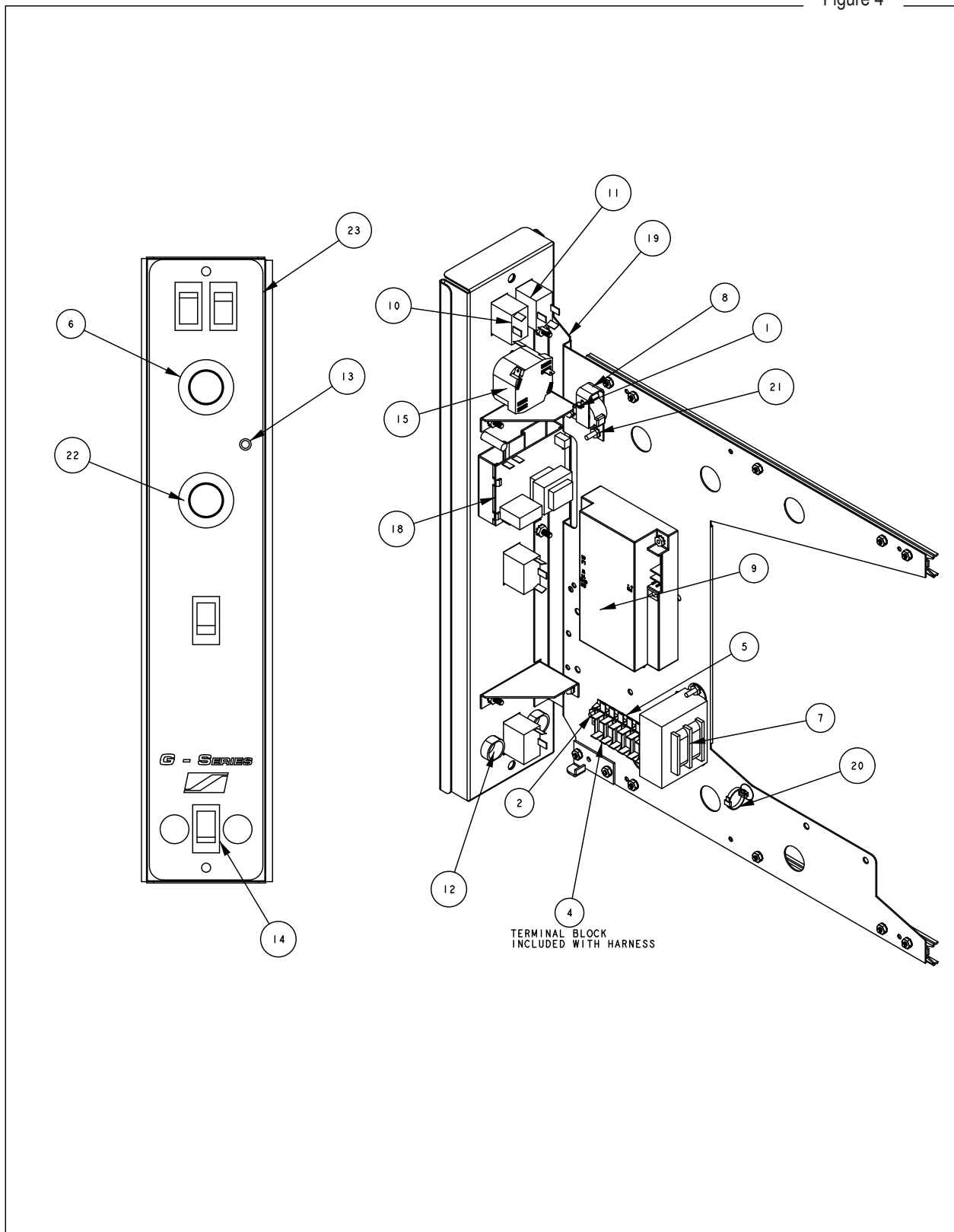
KEY	PART NUMBER	QTY	DESCRIPTION
-	1198016	1	Control panel assembly, SC, 60Hz, G-Series, 120V (assembled, w/o wiring harness)
-	1198030	1	Control panel assembly, SC, 60Hz, G-Series, 208/240V (assembled, w/o wiring harness)
-	1198017	1	Control panel assembly, SC, 60Hz, SL-Series, 120V, w/lights (assembled, w/o wiring harness)
-	1198018	1	Control panel assembly, SC, 60Hz, SL-Series, 120V, w/o lights (assembled, w/o wiring harness)
-	1198031	1	Control panel assembly, SC, 60Hz, SL-Series, 208/240V, w/lights (assembled, w/o wiring harness)
-	1198032	1	Control panel assembly, SC, 60Hz, SL-Series, 208/240V, w/o lights (assembled, w/o wiring harness)
-	1198008	1	Control panel assembly, SC, 60Hz, B-Series, 120V, w/lights (assembled, w/o wiring harness)
-	1198009	1	Control panel assembly, SC, 60Hz, B-Series, 120V, w/o lights (assembled, w/o wiring harness)
-	1198019	1	Control panel assembly, SC, 50Hz, SL-Series, 208/240V, w/lights (assembled, w/o wiring harness)
-	1198033	1	Control panel assembly, SC, 50Hz, SL-Series, 208/240V, w/o lights (assembled, w/o wiring harness)
1	1146319	2	Screw 6-32 x 1/2 Round hd
2	1146397	7	Screw 8-32 x 5/8 s/steel pan head
4	1170335	1	Terminal block (supplied w/harness)
5	1170336	1	Marker strip
6	1170337	2	Knob for temperature control bd. and timer
7	1172277	1	Transformer, 120/208/240-24
8	1175707	1	Buzzer, adjustable, 120VAC
	1175708	1	Buzzer, adjustable, 240VAC
9	1175723	1	Ignition Control Module
10	1177540	2	Fan rocker switch-SPDT-(on-on)
11	1177541	1	Power rocker switch-DPST-(on-off)
12	1177564	2	Plug, round (120V models)
	1170242	2	Fuse holder (208/240V models)
13	1177565	1	Light (amber) 24V
	1170350	1	Light (amber) 240V
14	1177789	1	Rocket switch-SPST momentary (for models with the oven light option)
	1177642	1	Plug, square (for models without the oven light option)
15	1179341	1	Timer, Mechanical
18	1181998	1	Temperature control board/analog potentiometer
19	1197782	1	Frame Assembly, Std., Slide
20	1198084	1	Push Mount Wire Tie
21	2001347	8	Locknut 8-32
22	6600334	2	Screw, 6-32, 3/8, Self-tapping
23	1197577	1	Polypanel, G-Series
	1197801	1	
	1197802	1	Polypanel, B-Series
*	1179591	1	Wiring harness, SC, 120V (includes terminal block 1170335)
*	1179592	1	Wiring harness, SC, 208/240V (includes terminal block 1170335)
*	1170425	2	Fuse, 12 amp #LP-CC-12 low peak (208/240V models only)
*	1181996	1	Temperature probe
* not shown on drawing			

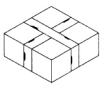


CONTROL PANEL PARTS FOR MODELS WITH STANDARD CONTROLS (SC MODELS)

See parts list on previous page.

Figure 4



**CONTROL PANEL PARTS FOR MODELS WITH TOUCH CONTROL (TC MODELS)**

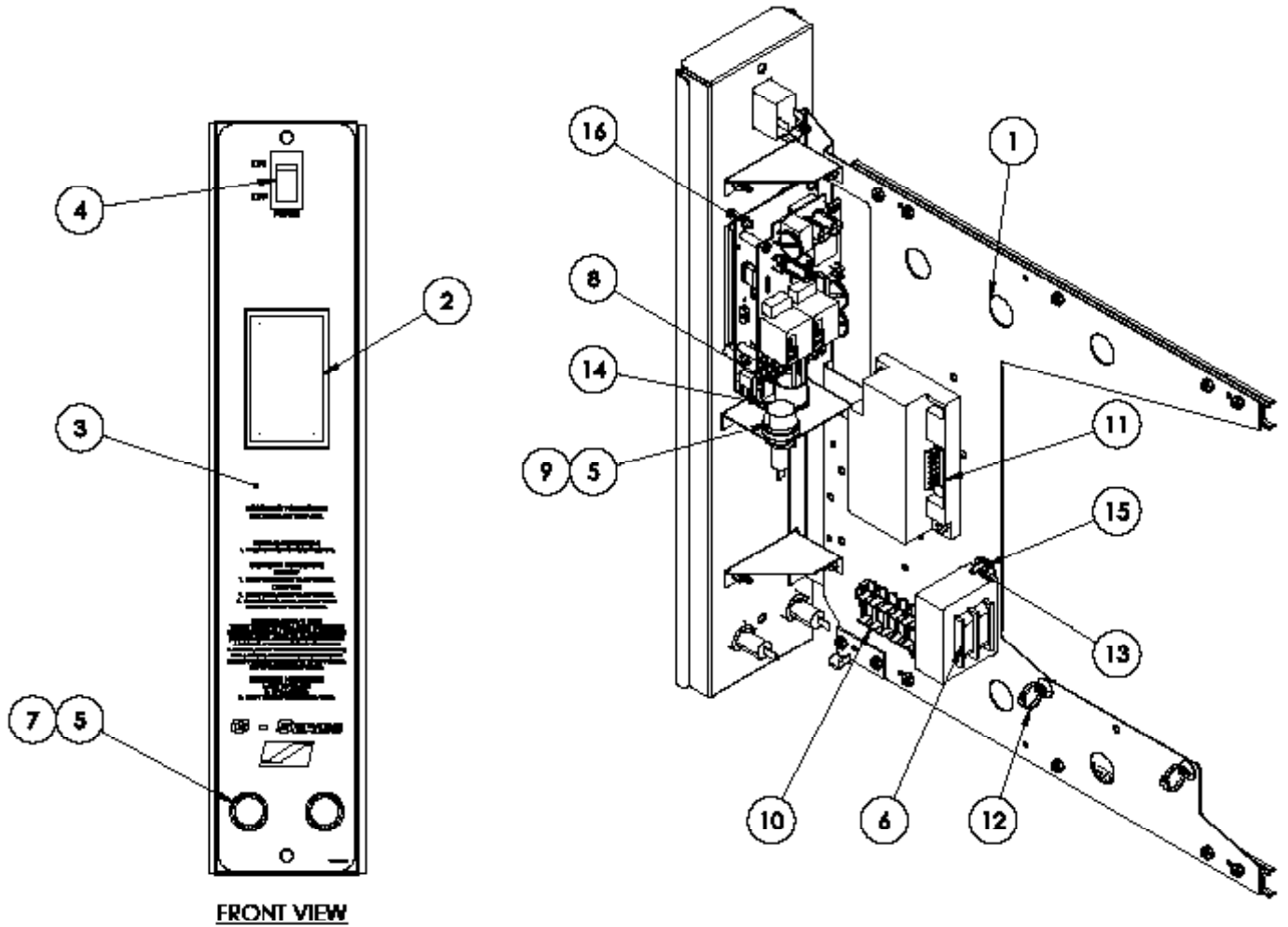
See drawing on following page.

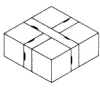
KEY	PART NUMBER	QTY	DESCRIPTION
-	1408000	1	Control Panel Assembly, TC, Gas, G-Series, 120V
-	1408001	1	Control Panel Assembly, TC, Gas, G-Series, 208/240V
-	1408002	1	Control Panel Assembly, TC, Gas, SL-Series, 120V
-	1408003	1	Control Panel Assembly, TC, Gas, SL-Series, 208/240V
1	1408017	1	Frame Assembly, STD, TC, Slide
2	1407381	1	Control, Touchscreen, C/O
3	1407990	1	Polypnl, Touchscreen, G, Gas
	1407991	1	Polypnl, Touchscreen, SL, Gas
4	1177541	1	Switch, Black Smoothed (Power)
5	1170424	1	Fuseholder (120V)
		3	Fuseholder (208/240V)
6	1172277	1	Transformer 120/208/24-240V
7	1177564	2	Plug, Round Plastic
	1170425	2	Fuse, LP-CC-12 Amp (208/240V)
8	1408027	1	Buzzer Assembly, C/O
9	1408028	1	Fuse
10	1408012	1	Wiring Harness, TC, 120V, Gas
	1408013	1	Wiring Harness, TC, 208/240V, Gas
11	1175723	1	Ignition Control Module
12	1198084	2	Wire Tie, Tree Mnt., 1/4"
13	1146397	6	Screw, 8-32x5/8, SS, Phil., Pan Hd
14	1146319	2	Screw, 6-32x1/2, Round Hd
15	2001347	6	Nut, Keps 8-32 ZP
16	1146400	6	Nut, 6-32, Hex, Zinc

CONTROL PANEL PARTS FOR MODELS WITH TOUCH CONTROL (TC MODELS)

See parts list on previous page.

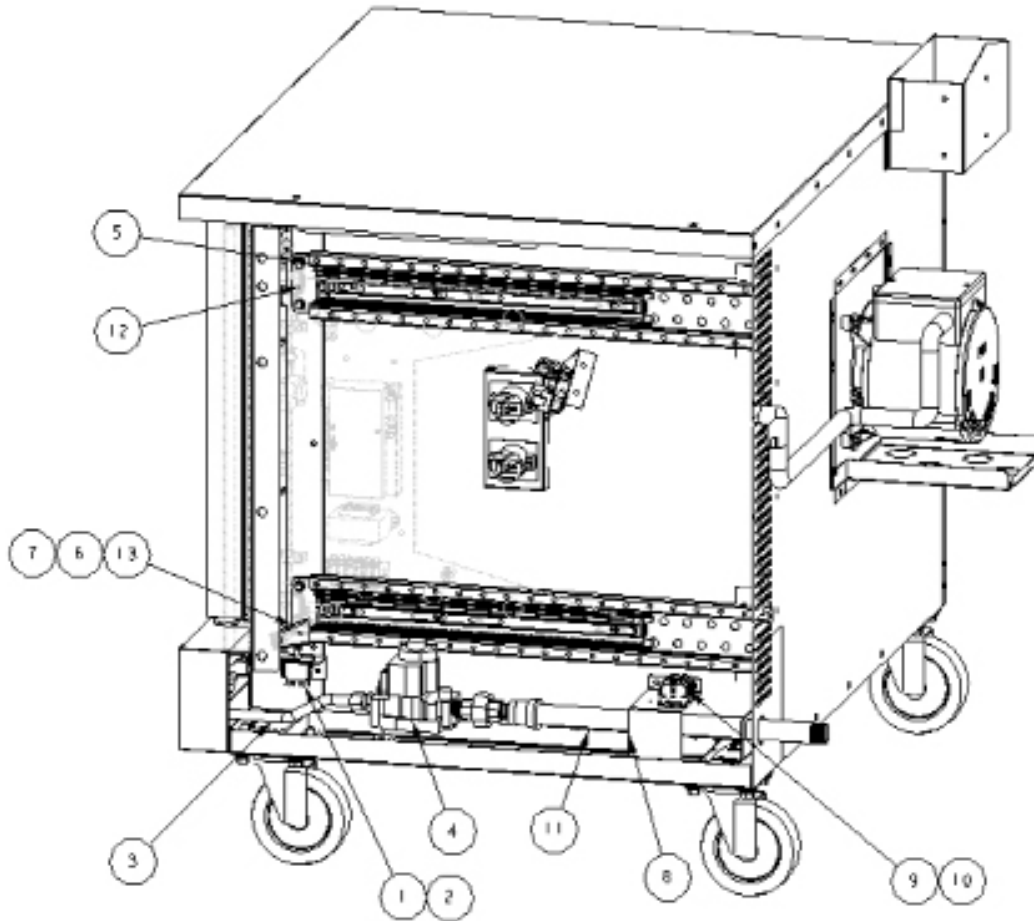
Figure 5



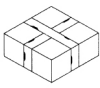


INTERNAL GAS SUPPLY AND SLIDE MOUNT PARTS

Figure 6

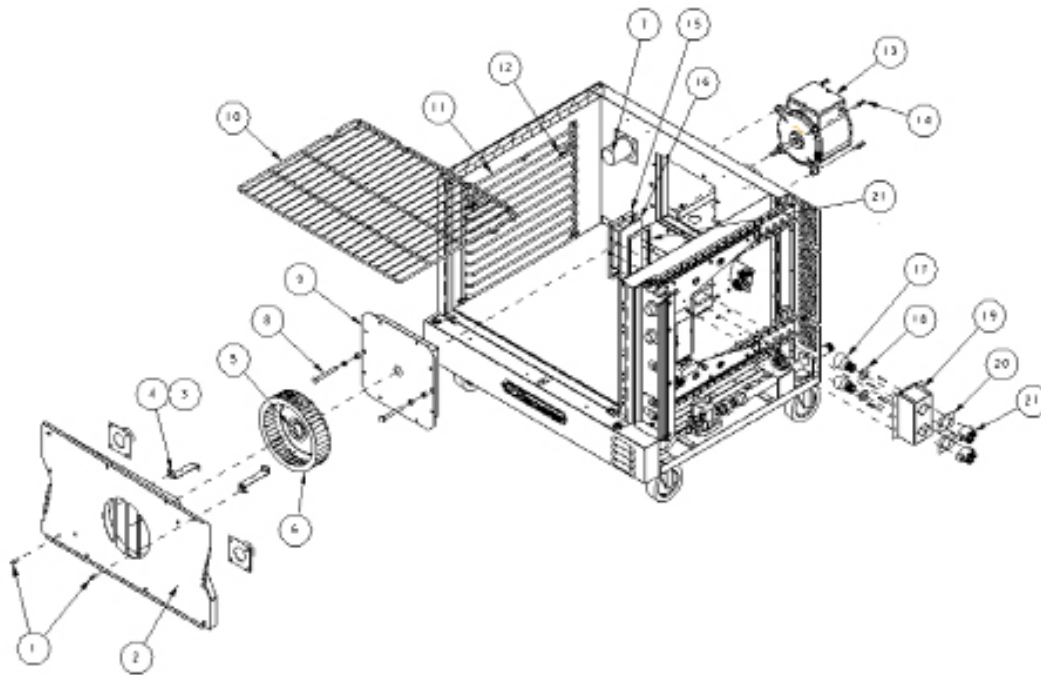


KEY	PART NUMBER	QTY	DESCRIPTION
1	1177566	1	Switch, shutdown, SPDT, 15 amp
2	1197586	1	Bracket, shutdown switch mtg.
3	1181934	1	Tube, gas supply, gas, co
4	1175016	1	Valve, nat gas, g-co
	1175375	1	Valve, propane gas, g-co
5	1197805	2	Slide mounting assembly (std depth)
	1197806	2	Slide mounting assembly (bakery depth)
*	1197808	2 PR	Drawer Slide (supplied with Slide mntg. assy)
6	1198006	1	Spacer, Pivot
7	1198004	1	Shoulder Bolt, 5/16 shaft, 1/4-20 thread
8	1197451	1	Plate, Term block mounting
9	PE-023	2	Term block end
10	PE-024	1	Term block end
11	1191871	1	Pipe W/A, gas
12	1197777	2	Shim, Slide Support
13	1197756	1	Closure bracket, S/O Switch

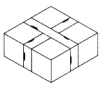


OVEN INTERIOR, LIGHTS AND FAN MOTOR PARTS

Figure 8

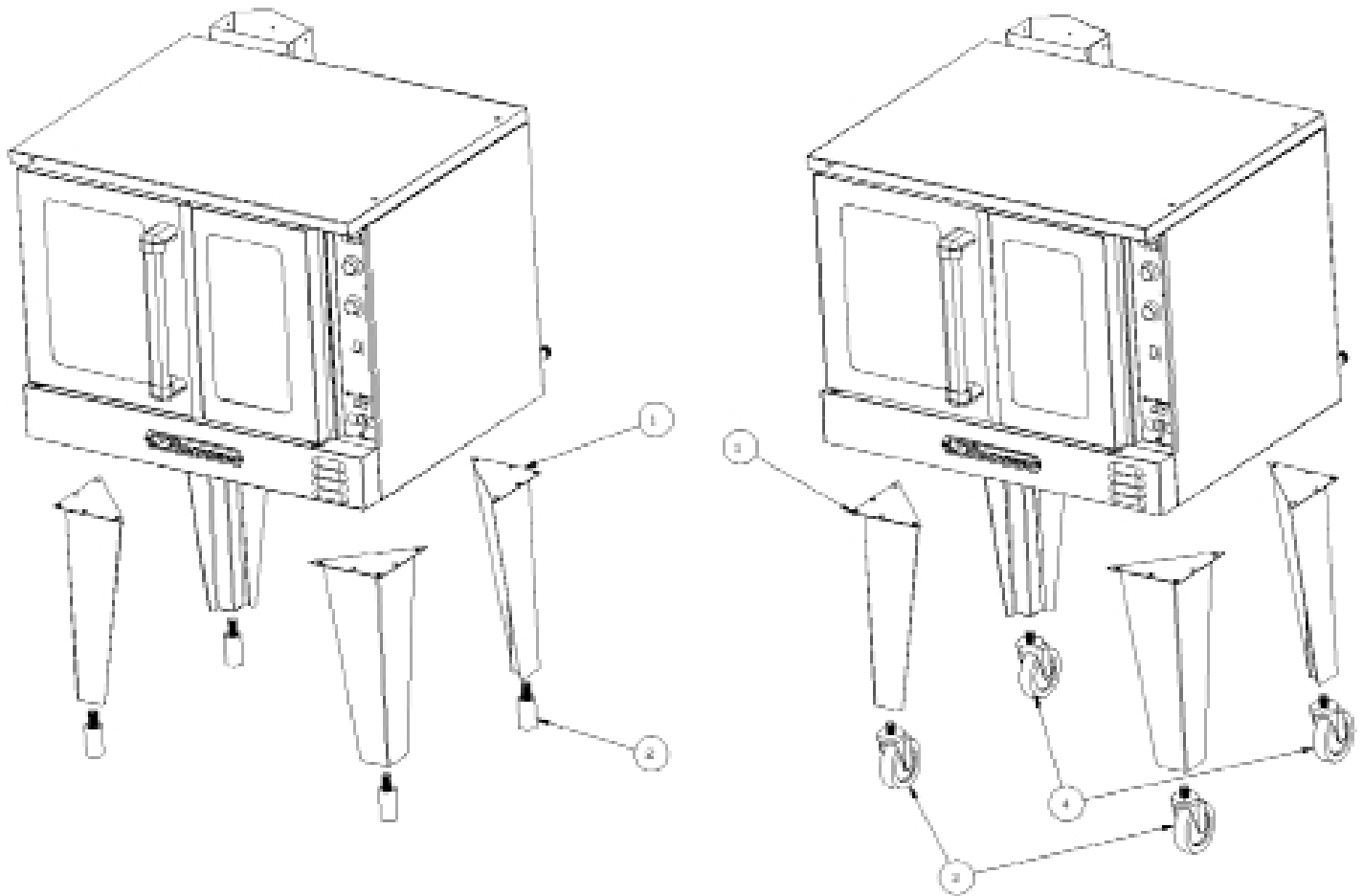


KEY	PART NUMBER	QTY	DESCRIPTION
1	1160289	2	Thumb screw 1/4-20 x 3/4
2	1199705	1	Baffle, air. s/a, enamel (Shallow depth)
	1199707	1	Baffle, air. s/a, enamel (Bakery depth)
3	1166819	2	Nut, 1/4 x 20, speed
4	1175572	2	Bracket, baffle, ctg, G-series
5	1179100	1	Puller disk
6	1175196	1	Blower wheel single with puller disk
7	1199542	2	Tube asm. outer combustion
8	1175146	2	Bolt, carriage, 3/8 x 3.5", ss
9	1175695	1	Pocket weld asm. blower motor
10	1189821	5	Rack, oven, shallow, mg
	1189860	5	Rack, oven, bakery. mg
11	1189820	2	Rack guide, 11 pos, shallow
	1189822	2	Rack guide, 11 pos, bakery
12	6660	8	Clip, side rack support
13	1194780	1	Motor, 2sp, 120V, 50/60 cycle
	1194781	1	Motor, 2sp, 240V, 50/60 cycle
14	1146264	4	Bolt, 1/4-20 x 2
15	1197728	1	Retainer, glass, co
16	1181807	1	Glass, bulb cover, co
17	1160009	2	Bulb, oven light, 40 watt, clear
18	P6497	2	Gasket, Teflon, white
19	1181805	1	Light box, CO
20	1160032	2	Gasket, light socket, .062 ga
21	1197730	1	Seal, Light Box



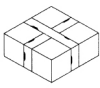
LEG PARTS FOR SINGLE-DECK MODELS

Figure 9



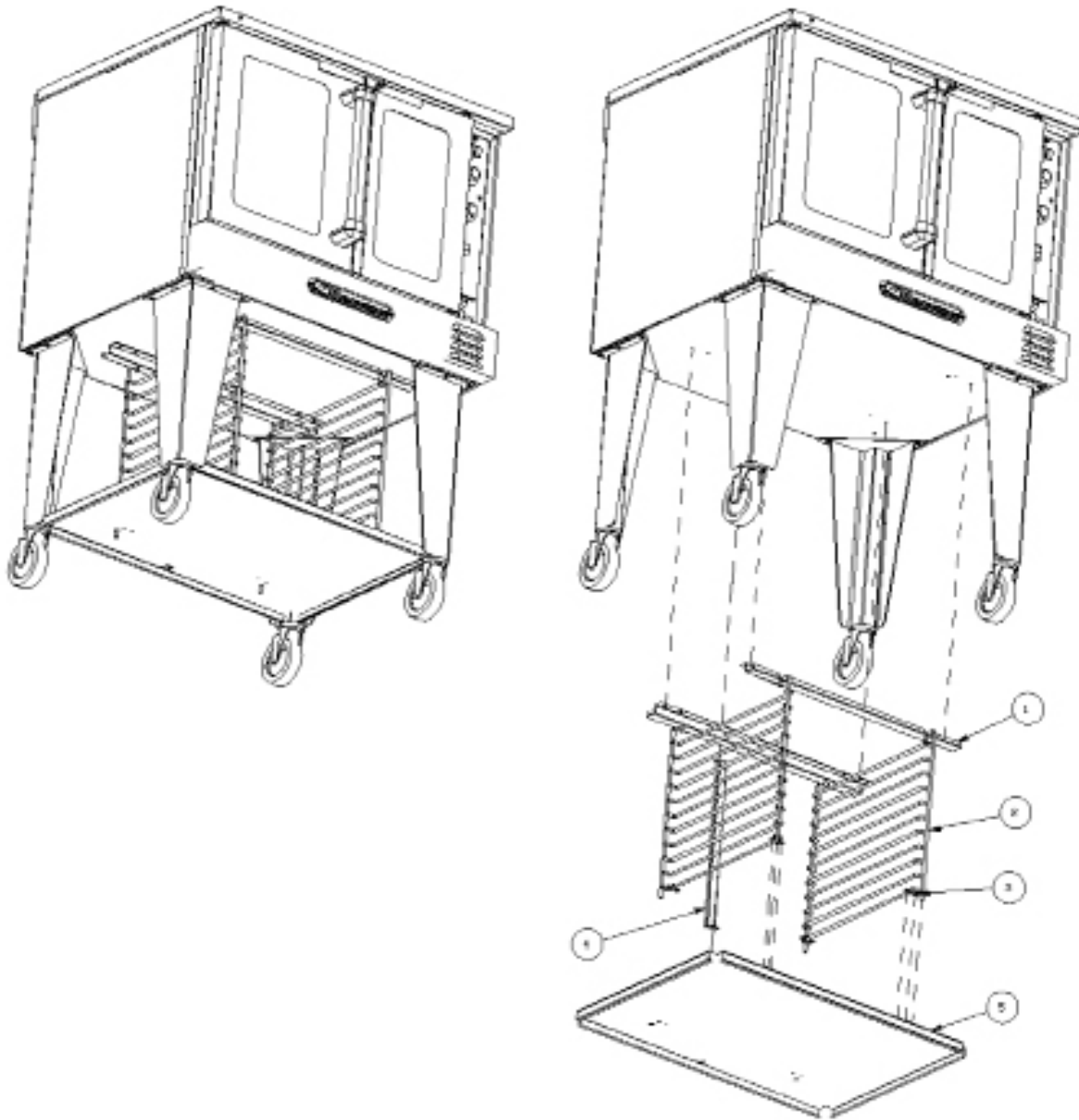
KEY	PART NUMBER	QTY	DESCRIPTION
1	1184005	4	Single deck leg (for legs with feet or casters)
2	1174266	4	Adjustable foot for leg
*	1173584	4	Flanged foot (optional replacement for adjustable foot 1174266)
3	1174264	2	Caster with brake
4	1174263	2	Caster without brake
*	1174265	1	Set of four casters (two with brake, two without brake)
*	1146213	20	3/8 x 16 x 1 hex head bolt
*	1146513	20	3/8 lock washer
*	1146522	20	3/8 flat washer

* not shown on drawing.



STORAGE RACK PARTS

Figure 10

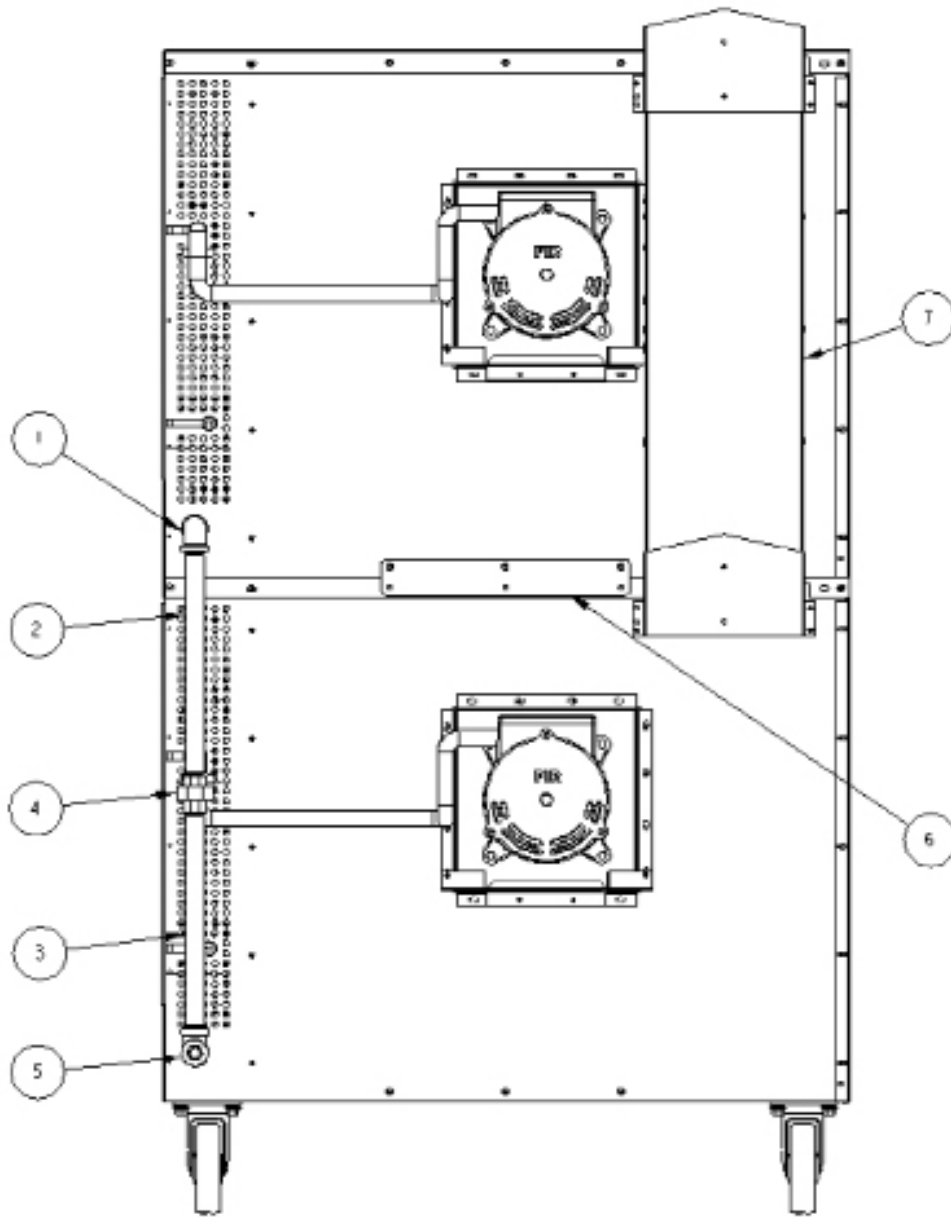


KEY	PART NUMBER	QTY	DESCRIPTION
-	1184044	1	Cooling pan kit, with shelf, bakery depth
-	1184046	1	Cooling pan kit, with shelf, shallow depth
1	1184022	2	Rack hanger, G/E ser co
2	1175438	2	Rack guide, 11 pos. shallow
	1175439	2	Rack guide, 11 pos. bakery
3	6660	8	Clip, side rack support
4	1184025	1	Stop channel
5	1184019	1	Shelf, open rack, shallow
	1184023	1	Shelf, open rack, bakery
*	1146304	18	10 x 1/2 Phillips screw

* not shown on drawing.

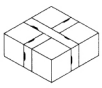
DOUBLE-DECK OVEN STACKING PARTS

Figure 11



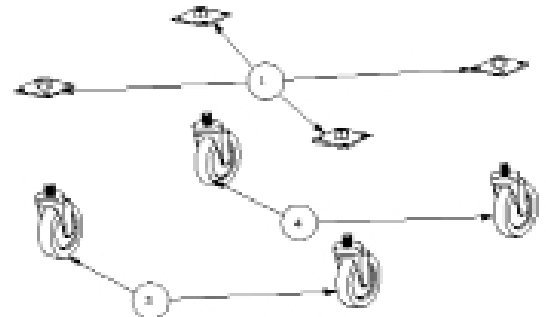
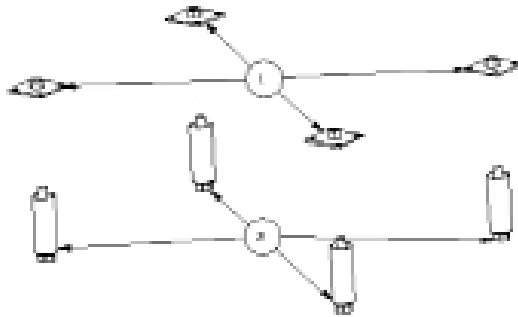
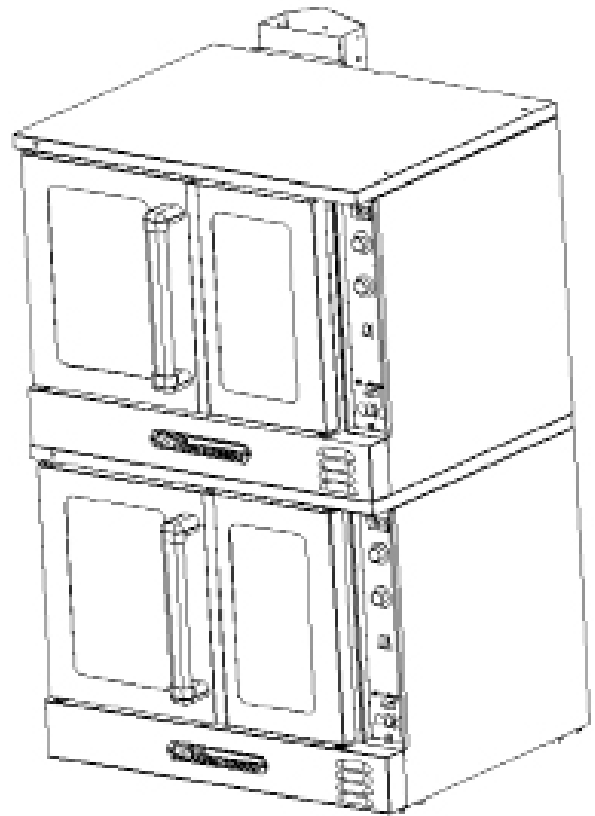
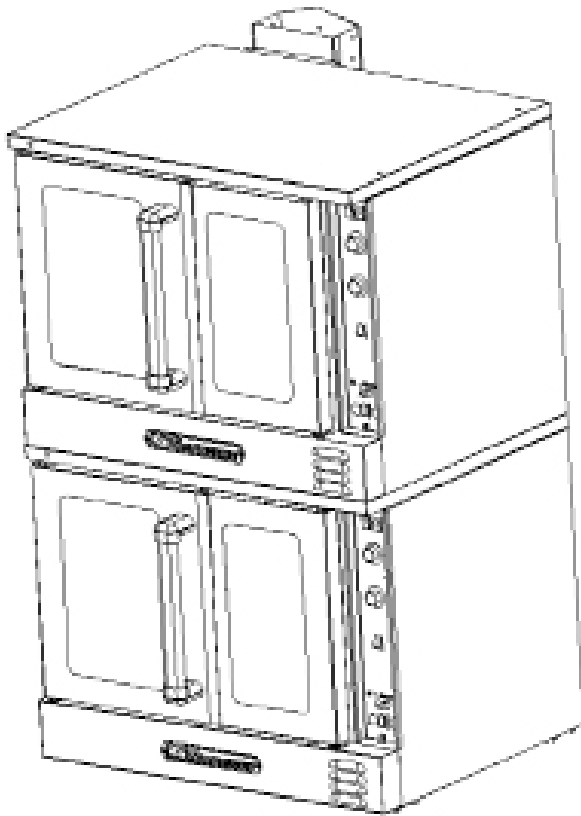
KEY	PART NUMBER	QTY	DESCRIPTION
1	1146904	1	3/4" elbow
2	1175149	2	3/4" x 13-1/8" pipe
3	9839	2	3/4" x 13-5/8" pipe
4	P-5239-5	1	3/4" union
5	1147304	1	3/4" tee pipe
6	1175085	1	Tie bracket
7	1181840	1	Flue box
*	1146213	2	Bolts

* not shown on drawing.



LEG PARTS FOR DOUBLE-DECK OVENS

Figure 12



KEY	PART NUMBER	QTY	DESCRIPTION
1	1172788	4	Leg pad
2	1174259	4	SS leg, 3/4" stud
*	1174260	1	Stainless leg package (set of four legs only)
	1178205	1	Black leg package (set of four legs only)
	1174262	1	Earthquake legs (set of four legs only)
3	1174264	2	Caster with brake
4	1174263	2	Caster without brake
*	1174265	1	Set of four casters (two with brake, two without brake)
*	1146213	16	3/8 x 16 x 1 hex head bolt
*	1146513	16	3/8 lock washer
*	1146522	16	3/8 flat washer

* not shown on drawing.

FULL SIZE GAS CONVECTION OVENS

USER & MAINTENANCE NOTES:


PARTS MANUAL

PLATINUM SERIES

GAS CONVECTION OVENS



A product with the Southbend name incorporates the best in durability and low maintenance. We all recognize, however, that replacement parts and occasional professional service may be necessary to extend the useful life of this appliance. When service is needed, contact a Southbend Authorized Service Agency, or your dealer. To avoid confusion, always refer to the model number, serial number, and type of your appliance.

SOUTHBEND
 **MIDDLEBY** A Middleby Company
1100 Old Honeycutt Road Fuquay-Varina, North Carolina 27526 USA
www.southbendnc.com