



<b>IMPORTANT FOR FUTURE REFERENCE</b> Please complete this information and retain this manual for the life of the equipment:
Model #: _____
Serial #: _____
Date Purchased: _____

## Parts Manual

# Infrared/Radiant Compact Salamander



1100 Old Honeycutt Road Fuquay-Varina, North Carolina 27526 USA  
[www.southbendnc.com](http://www.southbendnc.com)



Replacement parts may be ordered either through a Southbend Authorized Parts Distributer or a Southbend Authorized Service Agency. It is recommended to verify parts numbs with a Southbend Authorized Parts Supplier or the Southbend Parts/Service Department prior to ordering parts.

## PARTS

The following tables and figures list serviceable parts. For parts that are not listed, contact a Southbend Authorized Parts Distributor or a Southbend Authorized Service Agency.

<b>Table of Contents</b>	
<b>Page Number</b>	<b>Description</b>
3	Infrared/Radiant Compact Salamander
5	Radiant Burner
6	Rack Arm
8	Gas Supply

## Infrared/Radiant Compact Salamander

See drawing on following page

Key	Part Number	Description
1	Service	FRONT, BODY
2	1183202	BODY SIDE, LEFT
3	Service	GREASE DRAWER
4	Service	COVER
5	Service	ASSEMBLY, RACK PLATFORM
6	Service	RACK, INFRARED
7	Service	DRIP PAN
8	1183323	BODY SIDE, RIGHT
9	1187770	SHIELD, SPLASH
10	Service	ASSEMBLY, RACK CARRIAGE

\* Quantity of part used may depend on width of section (32", 36", or 48")

\* Service means call a Southbend Parts/Service Department (919-729-1000)

\*\* Not shown on drawing

Figure 1

### Infrared/Radiant Compact Salamander

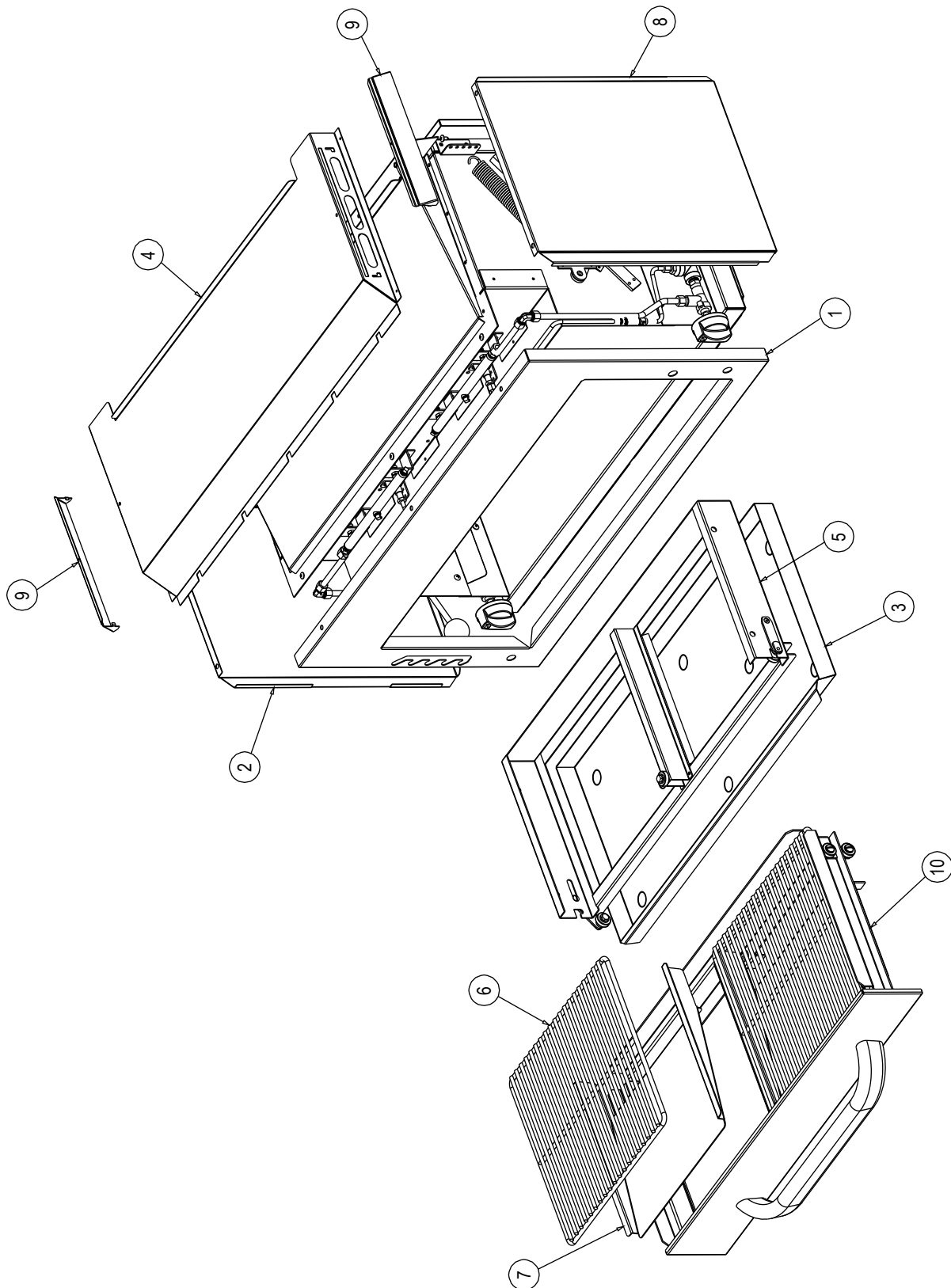
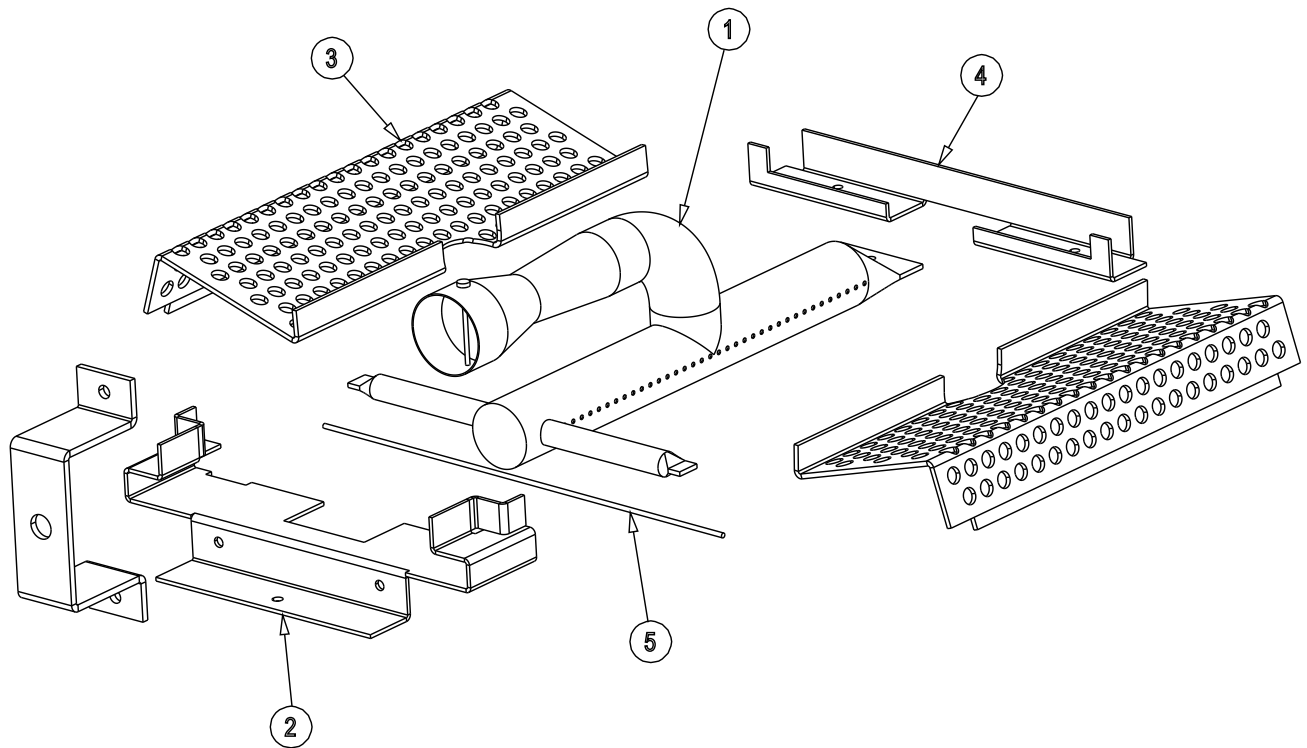


Figure 2

### Radiant Burner



Key	Part Number	Description
1	<a href="#">1188958</a>	BURNER, RADIANT
2	<a href="#">1188960</a>	BRACKET BURNER
3	<a href="#">1188961</a>	RADIANT
4	<a href="#">1188962</a>	BRACKET, TILE SUPPORT
5	<a href="#">1189158</a>	RETAINER WIRE

## Rack Arm

See drawing on following page

Key	Part Number	Description
1	1146202	BOLT, 1/4-20XI HEX HEAD
2	1146252	BOLT, 1/4-20 X 1 3/4' LONG
3	1146402	NUT 1/4-20, HEX HEAD
4	1146500	WASHER 1/4, LOCK
5	1160475	KNOB, BLACK PHENOLIC, HEAT RESIS
6	1183269	CLIP, RETAINER
7	1183278	BRACKET, SPRING ADJUST
8	1183279	WEIGHT, COUNTER BALANCE
9	1183293	W/A ARM CONNECTOR
10	1183295	SPRING, TORSION, PIVOT HANDLE
11	1183306	W/A ARM CONNECTOR
12	1183311	SPRING, RACK
13	Service	W/A RACK ADJUST
14	1183319	W/A, RACK ADJUST (LEFT)
15	1183320	W/A, RACK ADJUST (RIGHT)

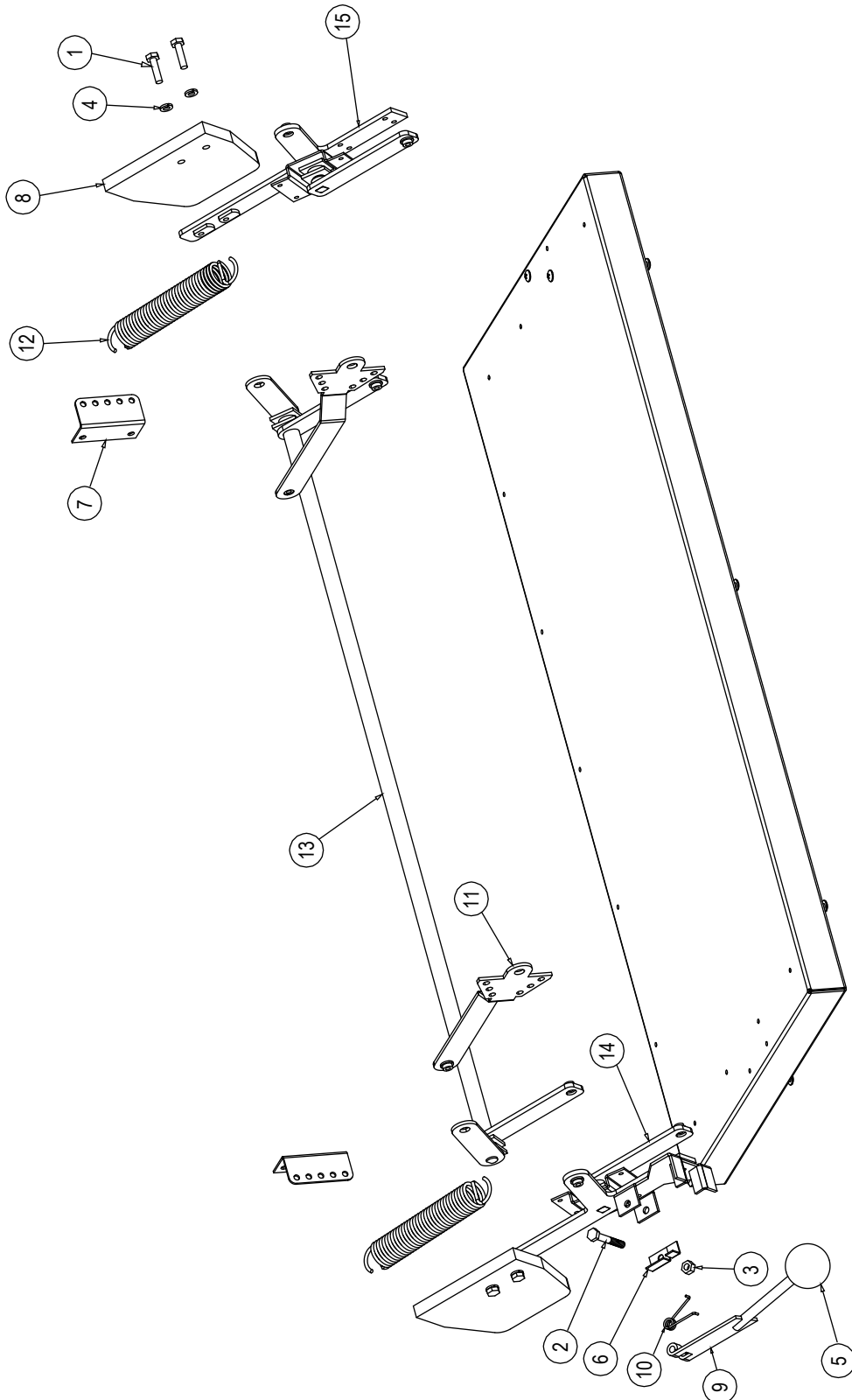
\* Quantity of part used may depend on width of section (32", 36", or 48")

\* Service means call a Southbend Parts/Service Department (919-729-1000)

\*\* Not shown on drawing

Figure 3

# Rack Arm



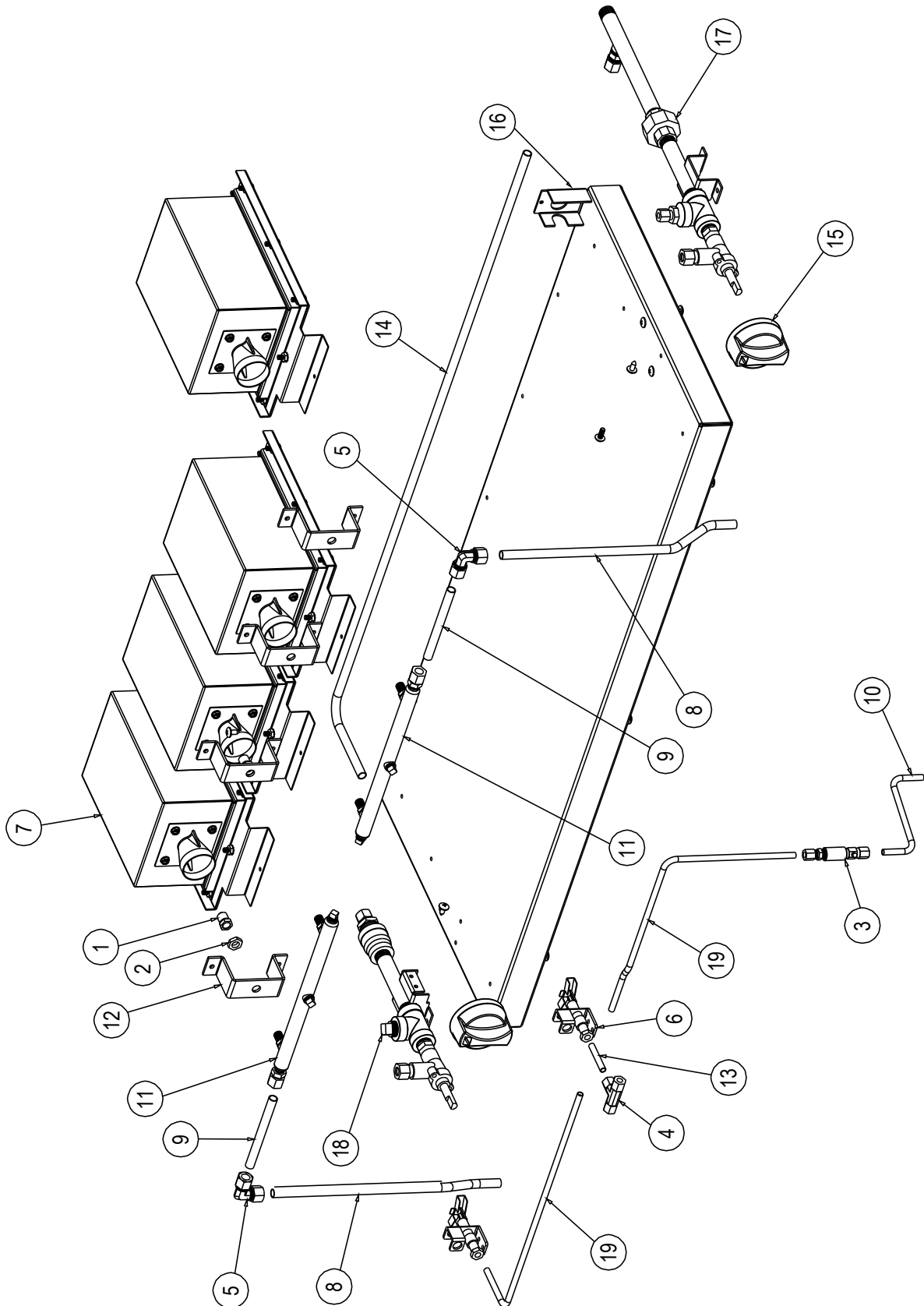
## Gas Supply

See drawing on following page

Key	Part Number	Description
1	1008754	ORIFICE HOOD, DRILL # 54 (NATURAL)
	1008764	ORIFICE HOOD, DRILL # 64 (PROPANE)
2	1148301	NUT, BRASS JAM
3	1164085	VALVE ASSEMBLY, PILOT
4	1173524	TEE, 1/4 TUBE COMPR ALL DIRECT
5	1180558	ELBOW 3/8 CC BRASS
6	1182628	PILOT ASM
7	1183246	ASSEMBLY, BURNER
8	1183248	TUBE, BURNER SUPPLY, VERT
9	Service	TUBE, BURNER SUPPLY, HORIZ
10	1183264	TUBE, FLEX 1/4" X 9"
11	Service	ASSEMBLY, MANIFOLD
12	1183332	BRACKET, ORIFICE
13	1185152	TUBE 1/4"
14	Service	TUBE, VALVE SUPPLY
15	1189600	KNOB, SECTIONAL
16	1190775	BRACKET, TAILPIPE
17	1195454	ASSEMBLY, MANIFOLD SUPPLY, NATURAL (RIGHT)
	1195457	ASSEMBLY, MANIFOLD SUPPLY, PROPANE (RIGHT)
18	1195455	ASSEMBLY, MANIFOLD SUPPLY, NATURAL (LEFT)
	1195449	ASSEMBLY, MANIFOLD SUPPLY, PROPANE (LEFT)
19	1183310	TUBE, FLEX 1/4" X 15"
<p>* Quantity of part used may depend on width of section (32", 36", or 48")  * Service means call a Southbend Parts/Service Department (919-729-1000)  ** Not shown on drawing</p>		

Figure 4

### Gas Supply



Notes:

# INFRARED/RADIANT COMPACT SALAMANDER

Notes:

# Infrared/Radiant Compact Salamander



A product with the Southbend name incorporates the best in durability and low maintenance. We all recognize, however, that replacement parts and occasional professional service may be necessary to extend the useful life of this appliance. When service is needed, contact a Southbend Authorized Service Agency, or your dealer. To avoid confusion, always refer to the model number, serial number, and type of your appliance.



Southbend  
1100 Old Honeycutt Road Fuquay-Varina, North Carolina 27526 USA  
[www.southbendnc.com](http://www.southbendnc.com)