

SONY

# STR-DG500/DG600

## PARTS AND DIAGRAM VIEW



Photo: STR-DG600: Silver type

*US Model*  
*Canadian Model*  
*STR-DG500/DG600*

*AEP Model*  
*UK Model*  
*STR-DG500*

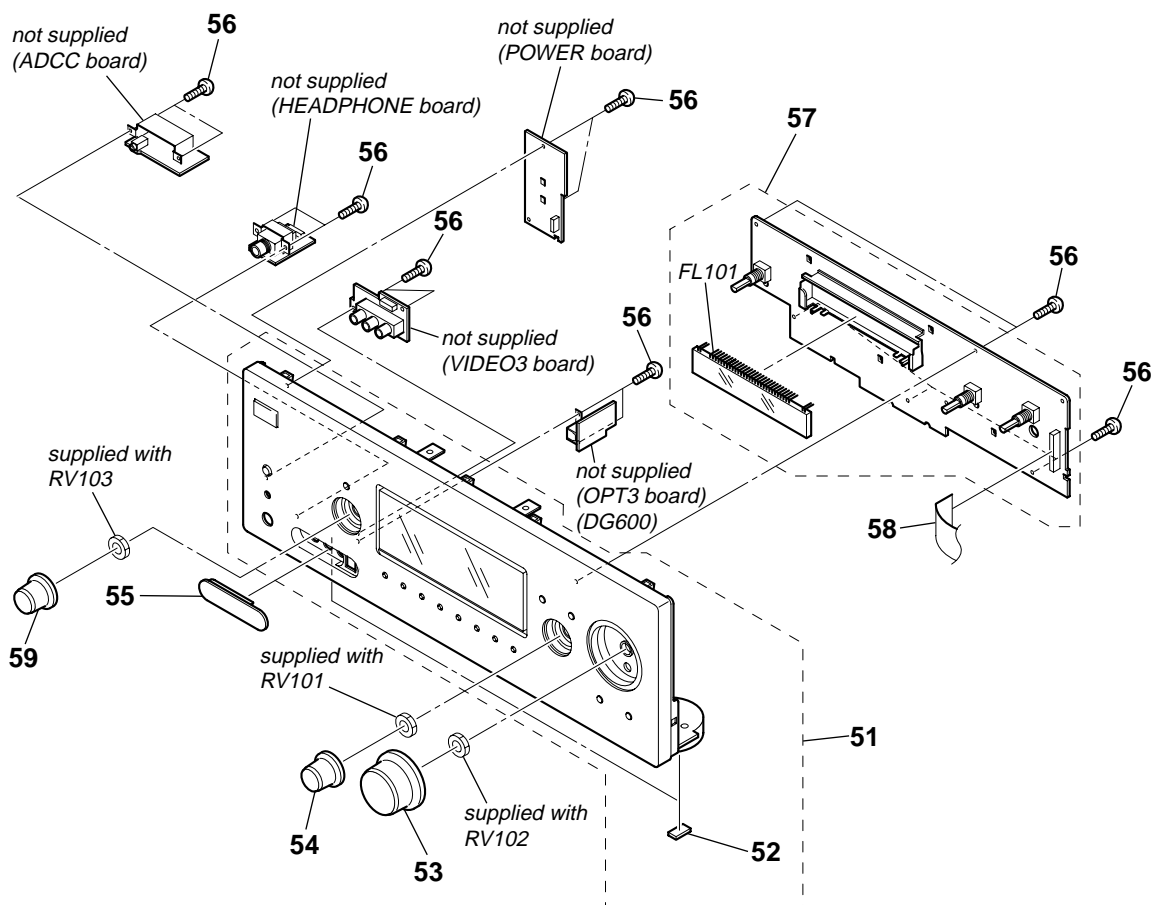
*E Model*  
*STR-DG500/DG600*

*Australian Model*  
*STR-DG500*

**MULTI CHANNEL AV RECEIVER**

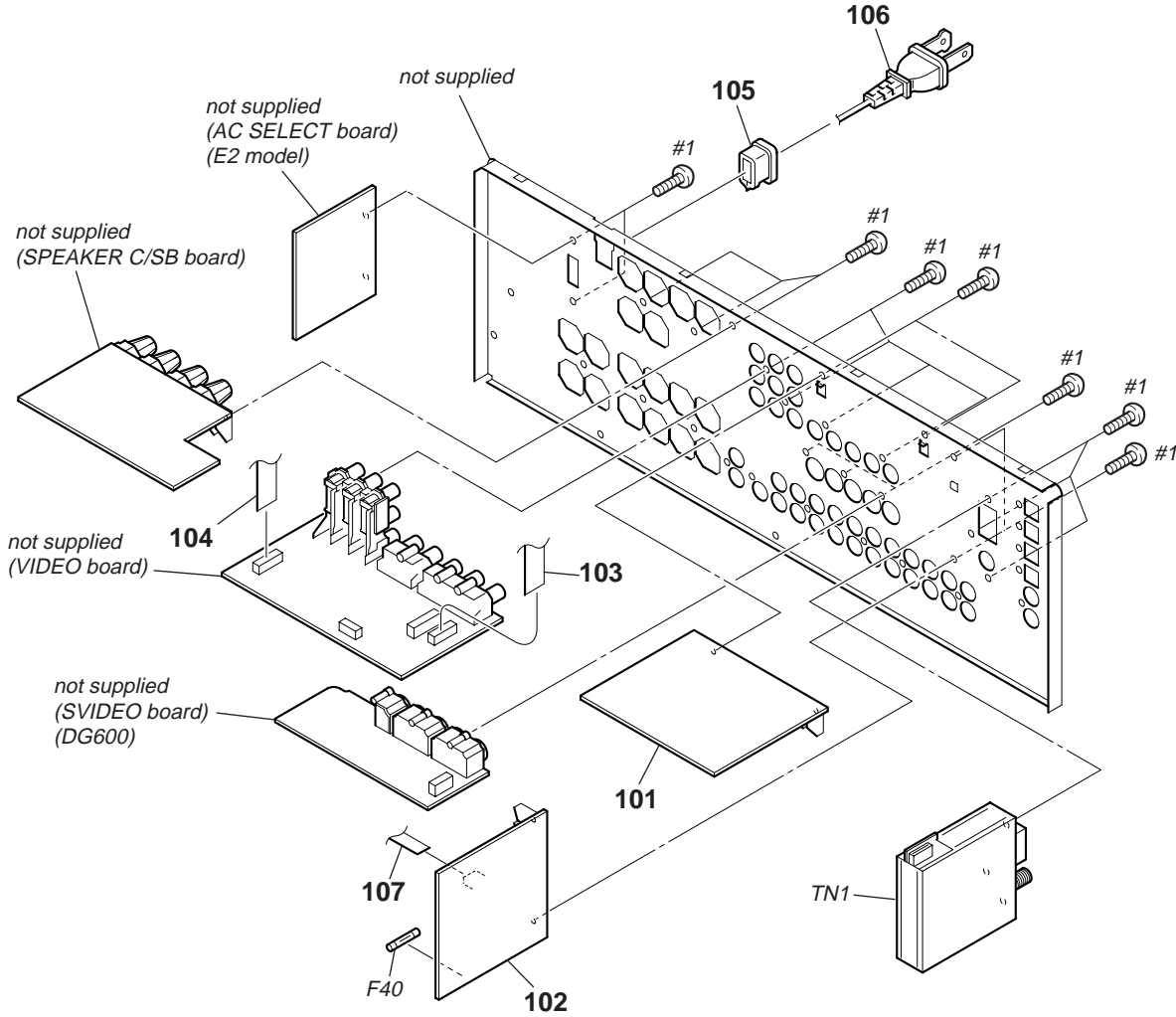


5-2. FRONT PANEL SECTION



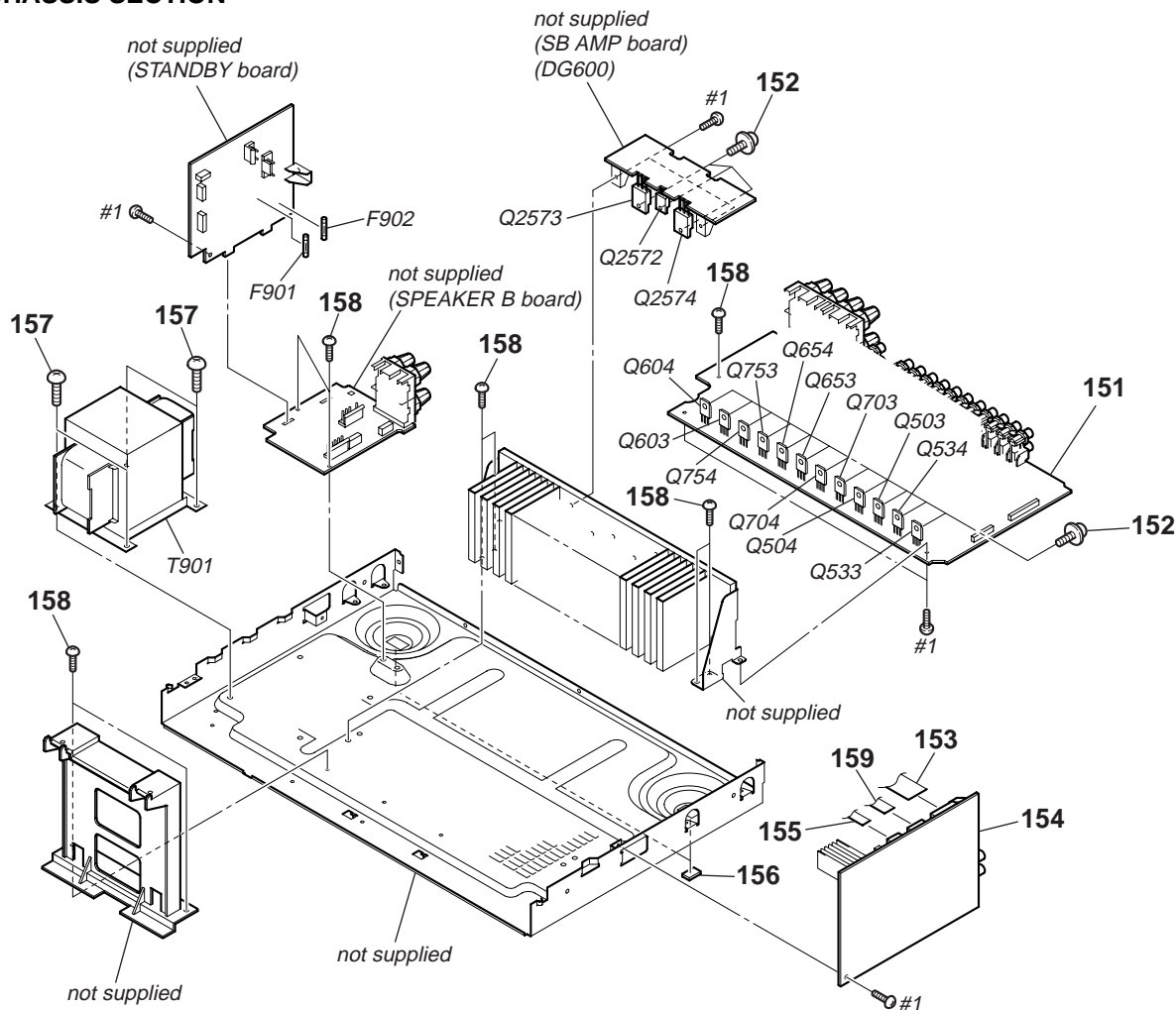
Ref. No.	Part No.	Description	Remark	Ref. No.	Part No.	Description	Remark
51	X-2103-321-1	FRONT PANEL ASSY (BLACK)...(BLACK)	(DG500:US)	53	2-661-142-01	KNOB (VOLUME) (BLACK)...(BLACK)	
51	X-2103-324-1	FRONT PANEL ASSY (BLACK)...(BLACK)	(DG500:CND,AUS)	53	2-661-142-11	KNOB (VOLUME) (SILVER)...(SILVER)	
51	X-2103-325-1	FRONT PANEL ASSY (SILVER)...(SILVER)	(DG500:CND,E2,AUS,KR,MY,SP,TH,TW)	54	2-661-141-01	KNOB (MENU) (BLACK)...(BLACK)	
51	X-2103-326-1	FRONT PANEL ASSY (BLACK)...(BLACK)	(DG500:AEP,UK)	54	2-661-141-11	KNOB (MENU) (SILVER)...(SILVER)	
51	X-2103-327-1	FRONT PANEL ASSY (SILVER)...(SILVER)	(DG500:AEP,UK)	55	2-666-844-01	LID (BLACK)...(BLACK)	
51	X-2103-328-1	FRONT PANEL ASSY (BLACK)...(BLACK)	(DG600:US)	55	2-666-844-11	LID (SILVER)...(SILVER)	
51	X-2103-329-1	FRONT PANEL ASSY (SILVER)...(SILVER)	(DG600:E2,MY,SP,TH)	56	3-087-053-01	+BVTP 2.6 (3CR)	
51	X-2103-342-1	FRONT PANEL ASSY (BLACK)...(BLACK)	(DG600:MY,SP)	57	A-1157-231-A	DISPLAY BOARD, COMPLETE (DG500:US,CND)	
51	X-2103-653-1	FRONT PANEL ASSY (SILVER)...(SILVER)	(DG600:CND)	57	A-1157-288-A	DISPLAY BOARD, COMPLETE (DG500:EXCEPT US,CND)	
52	4-977-358-01	CUSHION		57	A-1157-415-A	DISPLAY BOARD, COMPLETE (DG600:US,CND)	
				57	A-1157-452-A	DISPLAY BOARD, COMPLETE (DG600:E2,MY,SP,TH)	
				58	1-829-023-11	WIRE (FLAT TYPE) (23 CORE)	
				59	2-661-141-01	KNOB (MENU) (BLACK)...(BLACK) (DG600)	
				59	2-661-141-11	KNOB (MENU) (SILVER)...(SILVER) (DG600)	
				FL101	1-519-866-01	VACUUM FLUORESCENT DISPLAY	

**5-3. BACK PANEL SECTION**



Ref. No.	Part No.	Description	Remark	Ref. No.	Part No.	Description	Remark
101	A-1157-412-A	S VIDEO UP CONVERT BOARD, COMPLETE (DG600:US,CND)		△ 106	1-827-295-22	CORD, POWER (AUS)	
101	A-1157-512-A	S VIDEO UP CONVERT BOARD, COMPLETE (DG600:E2,MY,SP,TH)		△ 106	1-827-597-41	CORD, POWER (TW)	
102	A-1157-747-A	XM BOARD, COMPLETE (DG600:US,CND)		107	1-828-937-11	WIRE (FLAT TYPE) (5 CORE) (DG600:US,CND)	
103	1-828-954-11	WIRE (FLAT TYPE) (9 CORE) (DG600)		△ F40	1-533-689-12	FUSE, GLASS CYLINDRICAL (DIA. 5) (1A/125V) (DG600:US,CND)	
104	1-828-957-11	WIRE (FLAT TYPE) (9 CORE) (DG600)		TN1	1-693-675-11	TUNER PACK (ANTENNA) (DG500:US,CND,E2)	
* 105	3-703-244-00	BUSHING (2104), CORD		TN1	1-693-675-21	TUNER PACK (ANTENNA) (DG600:US,CND,E2)	
△ 106	1-769-079-23	CORD, POWER (KR)		TN1	1-693-676-21	TUNER PACK (ANTENNA) (AEP,UK)	
△ 106	1-777-071-23	CORD, POWER (E2)		TN1	1-693-678-11	TUNER PACK (ANTENNA) (EXCEPT US,CND,AEP,UK,E2)	
△ 106	1-777-071-83	CORD, POWER (AEP,UK,MY,SP,TH)		#1	7-685-646-79	SCREW +BVTP 3X8 TYPE2 IT-3	
△ 106	1-783-820-11	CORD, POWER (US,CND)					

5-4. CHASSIS SECTION



Ref. No.	Part No.	Description	Remark	Ref. No.	Part No.	Description	Remark
151	A-1157-218-A	MAIN BOARD, COMPLETE (DG500:US,CND,E2)		△ F901	1-532-465-33	FUSE (T3.15AL/250V) (E2)	
151	A-1157-285-A	MAIN BOARD, COMPLETE (DG500:EXCEPT US,CND,E2)		△ F901	1-532-504-33	FUSE (T4A/250V) (TW)	
151	A-1157-408-A	MAIN BOARD, COMPLETE (DG600:US,CND)		△ F901	1-533-454-12	FUSE, GLASS TUBE (DIA. 5) (6.3A/125V) (US,CND)	
151	A-1157-495-A	MAIN BOARD, COMPLETE (DG600:MY,SP,TH)		△ F902	1-532-464-33	FUSE (T2.5AL/250V) (DG600:E2,MY,SP,TH)	
151	A-1157-510-A	MAIN BOARD, COMPLETE (DG600:E2)		△ F902	1-533-453-12	FUSE, GLASS TUBE (DIA. 5) (5A/125V) (DG600:US,CND)	
152	3-905-609-01	SCREW (TRANSISTOR)		Q503	6-702-390-01	TRANSISTOR MN2488-OPY-MK	
153	1-828-956-11	WIRE (FLAT TYPE) (9 CORE) (for 9 pin connecting)		Q504	6-702-391-01	TRANSISTOR MP1620-OPY-MK	
153	1-828-993-11	WIRE (FLAT TYPE) (17 CORE) (for 17 pin connecting)		Q533	6-702-390-01	TRANSISTOR MN2488-OPY-MK	
154	A-1157-243-A	DIGITAL BOARD, COMPLETE (DG500:US,CND)		Q534	6-702-391-01	TRANSISTOR MP1620-OPY-MK	
154	A-1157-292-A	DIGITAL BOARD, COMPLETE (DG500:AEP,UK)		Q603	6-702-390-01	TRANSISTOR MN2488-OPY-MK	
154	A-1157-308-A	DIGITAL BOARD, COMPLETE (DG500:MY,SP,TH)		Q604	6-702-391-01	TRANSISTOR MP1620-OPY-MK	
154	A-1157-315-A	DIGITAL BOARD, COMPLETE (DG500:AUS)		Q653	6-702-390-01	TRANSISTOR MN2488-OPY-MK	
154	A-1157-326-A	DIGITAL BOARD, COMPLETE (DG500:TW)		Q654	6-702-391-01	TRANSISTOR MP1620-OPY-MK	
154	A-1157-345-A	DIGITAL BOARD, COMPLETE (DG500:E2)		Q703	6-702-390-01	TRANSISTOR MN2488-OPY-MK	
154	A-1157-425-A	DIGITAL BOARD, COMPLETE (DG600:US,CND)		Q704	6-702-391-01	TRANSISTOR MP1620-OPY-MK	
154	A-1157-515-A	DIGITAL BOARD, COMPLETE (DG600:E2)		Q753	6-702-390-01	TRANSISTOR MN2488-OPY-MK	
154	A-1158-598-A	DIGITAL BOARD, COMPLETE (DG500:KR)		Q754	6-702-391-01	TRANSISTOR MP1620-OPY-MK	
154	A-1158-599-A	DIGITAL BOARD, COMPLETE (DG600:MY,SP,TH)		Q2572	8-729-026-08	TRANSISTOR 2SC4495 (DG600)	
155	1-828-956-11	WIRE (FLAT TYPE) (9 CORE) (DG600)		Q2573	6-702-390-01	TRANSISTOR MN2488-OPY-MK (DG600)	
156	4-977-358-01	CUSHION		Q2574	6-702-391-01	TRANSISTOR MP1620-OPY-MK (DG600)	
157	4-249-675-01	+BV SUMITITE S 4X6 ROUND		△ T901	1-439-550-21	TRANSFORMER, POWER (MAIN) (AEP,UK,AUS,KR)	
158	3-077-331-21	+BV 3 (3-CR)		△ T901	1-439-552-21	TRANSFORMER, POWER (MAIN) (TW)	
159	1-828-963-11	WIRE (FLAT TYPE) (11 CORE) (EXCEPT AEP,UK)		△ T901	1-439-553-21	TRANSFORMER, POWER (MAIN) (E2)	
159	1-828-980-11	WIRE (FLAT TYPE) (15 CORE) (AEP,UK)		△ T901	1-439-583-11	TRANSFORMER, POWER (MAIN) (US,CND)	
△ F901	1-532-464-33	FUSE (T2.5AL/250V) (EXCEPT US,CND,E2,TW)		△ T901	1-445-019-11	TRANSFORMER, POWER (MAIN) (MY,SP,TH)	
				#1	7-685-646-79	SCREW +BVTP 3X8 TYPE2 IT-3	

SECTION 6  
ELECTRICAL PARTS LIST

NOTE:

- Due to standardization, replacements in the parts list may be different from the parts specified in the diagrams or the components used on the set.
- RESISTORS  
All resistors are in ohms.  
METAL: Metal-film resistor.  
METAL OXIDE: Metal oxide-film resistor.  
F: nonflammable
- Items marked "\*" are not stocked since they are seldom required for routine service. Some delay should be anticipated when ordering these items.
- SEMICONDUCTORS  
In each case, u :  $\mu$ , for example:  
uA.. :  $\mu$ A.. uPA.. :  $\mu$ PA..  
uPB.. :  $\mu$ PB.. uPC.. :  $\mu$ PC.. uPD.. :  $\mu$ PD..

- CAPACITORS  
uF :  $\mu$ F
- COILS  
uH :  $\mu$ H
- Abbreviation  
CND : Canadian model  
E2 : 120 V AC area in E model  
AUS : Australian model  
KR : Korea model  
MY : Malaysia model  
SP : Singapore model  
TH : Thai model  
TW : Taiwan model

The components identified by mark  $\Delta$  or dotted line with mark  $\Delta$  are critical for safety. Replace only with part number specified.

Les composants identifiés par une marque  $\Delta$  sont critiques pour la sécurité. Ne les remplacer que par une pièce portant le numéro spécifié.

When indicating parts by reference number, please include the board.

Ref. No.	Part No.	Description	Remark	Ref. No.	Part No.	Description	Remark
		AC SELECT BOARD (E2)		R2001	1-249-429-11	CARBON 10K 5%	1/4W
		*****		R2003	1-249-429-11	CARBON 10K 5%	1/4W
		< CONNECTOR >		R2005	1-247-903-00	CARBON 1M 5%	1/4W
* CNP910	1-564-687-11	PIN, CONNECTOR (3.96mm PITCH) 3P		R2006	1-247-831-11	CARBON 1K 5%	1/4W
		< SWITCH >		R2007	1-249-429-11	CARBON 10K 5%	1/4W
$\Delta$ S901	1-571-437-21	SWITCH, POWER VOLTAGE CHANGE (VOLTAGE SELECTOR)		R2008	1-247-897-11	CARBON 560K 5%	1/4W
		*****		R2010	1-249-429-11	CARBON 10K 5%	1/4W
		ADCC BOARD		R2015	1-249-435-11	CARBON 33K 5%	1/4W
		*****		R2016	1-249-431-11	CARBON 15K 5%	1/4W
		< CAPACITOR >		R2017	1-249-421-11	CARBON 2.2K 5%	1/4W
C2001	1-128-809-11	CERAMIC 100PF 5%	50V	R2018	1-249-418-11	CARBON 1.2K 5%	1/4W
C2002	1-126-160-11	ELECT 1uF 20%	50V	R2019	1-249-421-11	CARBON 2.2K 5%	1/4W
C2003	1-127-882-31	CERAMIC 0.033uF 10%	50V			*****	
C2005	1-128-803-11	CERAMIC 33PF 5%	50V	A-1157-243-A	DIGITAL BOARD, COMPLETE (DG500:US,CND)		
C2006	1-126-160-11	ELECT 1uF 20%	50V	A-1157-292-A	DIGITAL BOARD, COMPLETE (DG500:AEP,UK)		
C2008	1-128-806-11	CERAMIC 56PF 5%	50V	A-1157-308-A	DIGITAL BOARD, COMPLETE (DG500:MY,SP,TH)		
C2010	1-127-882-31	CERAMIC 0.033uF 10%	50V	A-1157-315-A	DIGITAL BOARD, COMPLETE (DG500:AUS)		
C2011	1-127-880-11	CERAMIC 0.022uF 10%	50V	A-1157-326-A	DIGITAL BOARD, COMPLETE (DG500:TW)		
C2012	1-127-880-11	CERAMIC 0.022uF 10%	50V	A-1157-345-A	DIGITAL BOARD, COMPLETE (DG500:E2)		
C2013	1-126-160-11	ELECT 1uF 20%	50V	A-1157-425-A	DIGITAL BOARD, COMPLETE (DG600:US,CND)		
C2014	1-124-465-00	ELECT 0.47uF 20%	50V	A-1157-515-A	DIGITAL BOARD, COMPLETE (DG600:E2)		
C2018	1-127-888-11	CERAMIC 0.1uF 10%	50V	A-1158-598-A	DIGITAL BOARD, COMPLETE (DG500:KR)		
		< CONNECTOR >		A-1158-599-A	DIGITAL BOARD, COMPLETE (DG600:MY,SP,TH)		
CNP2000	1-784-921-11	PIN, CONNECTOR 4P				*****	
		< DIODE >		7-685-646-79	SCREW +BVTP 3X8 TYPE2 IT-3		
D2013	8-719-991-33	DIODE 1SS133T-77				< CAPACITOR >	
D2014	8-719-991-33	DIODE 1SS133T-77		C1001	1-126-925-11	ELECT 470uF 20%	10V
		< IC >		C1002	1-100-566-11	CERAMIC CHIP 0.1uF 10%	25V
IC2000	8-759-167-88	IC NJM4565D		C1004	1-100-566-11	CERAMIC CHIP 0.1uF 10%	25V
		< JACK >		C1005	1-100-566-11	CERAMIC CHIP 0.1uF 10%	25V
J2000	1-820-056-11	JACK (SMALL TYPE) (AUTO CAL MIC)		C1021	1-100-566-11	CERAMIC CHIP 0.1uF 10%	25V
		< RESISTOR >		C1022	1-126-925-11	ELECT 470uF 20%	10V
R2000	1-247-831-11	CARBON 1K 5%	1/4W	C1031	1-100-566-11	CERAMIC CHIP 0.1uF 10%	25V
				C1032	1-126-925-11	ELECT 470uF 20%	10V
				C1045	1-162-905-11	CERAMIC CHIP 1PF 0.25PF	50V (DG600)
				C1046	1-100-566-11	CERAMIC CHIP 0.1uF 10%	25V (DG600)
				C1047	1-104-662-11	ELECT 22uF 20%	25V (DG600)
				C1063	1-100-566-11	CERAMIC CHIP 0.1uF 10%	25V (AEP,UK)

Ref. No.	Part No.	Description			Remark	Ref. No.	Part No.	Description			Remark
C1064	1-126-947-11	ELECT	47uF	20%	35V (AEP,UK)	C1312	1-100-566-11	CERAMIC CHIP	0.1uF	10%	25V
C1100	1-100-566-11	CERAMIC CHIP	0.1uF	10%	25V	C1313	1-162-927-11	CERAMIC CHIP	100PF	5%	50V
C1102	1-100-566-11	CERAMIC CHIP	0.1uF	10%	25V	C1314	1-100-566-11	CERAMIC CHIP	0.1uF	10%	25V
C1103	1-126-947-11	ELECT	47uF	20%	35V	C1315	1-100-566-11	CERAMIC CHIP	0.1uF	10%	25V
C1104	1-216-864-11	SHORT CHIP	0			C1316	1-100-566-11	CERAMIC CHIP	0.1uF	10%	25V (DG600)
C1105	1-216-864-11	SHORT CHIP	0			C1317	1-126-925-11	ELECT	470uF	20%	10V (DG600)
C1107	1-100-566-11	CERAMIC CHIP	0.1uF	10%	25V	C1351	1-100-566-11	CERAMIC CHIP	0.1uF	10%	25V
C1108	1-100-566-11	CERAMIC CHIP	0.1uF	10%	25V	C1352	1-100-566-11	CERAMIC CHIP	0.1uF	10%	25V (DG600)
C1118	1-100-566-11	CERAMIC CHIP	0.1uF	10%	25V	C1353	1-100-566-11	CERAMIC CHIP	0.1uF	10%	25V (DG600)
C1119	1-100-566-11	CERAMIC CHIP	0.1uF	10%	25V	C1354	1-100-566-11	CERAMIC CHIP	0.1uF	10%	25V
C1120	1-162-974-11	CERAMIC CHIP	0.01uF		50V	C1355	1-104-662-11	ELECT	22uF	20%	25V
C1121	1-100-566-11	CERAMIC CHIP	0.1uF	10%	25V	C1357	1-162-905-11	CERAMIC CHIP	1PF	0.25PF	50V
C1122	1-100-566-11	CERAMIC CHIP	0.1uF	10%	25V	C1358	1-100-566-11	CERAMIC CHIP	0.1uF	10%	25V
C1123	1-100-566-11	CERAMIC CHIP	0.1uF	10%	25V	C1359	1-126-916-11	ELECT	1000uF	20%	6.3V
C1124	1-100-566-11	CERAMIC CHIP	0.1uF	10%	25V	C1360	1-162-923-11	CERAMIC CHIP	47PF	5%	50V
C1125	1-162-923-11	CERAMIC CHIP	47PF	5%	50V (DG600)	C1361	1-100-566-11	CERAMIC CHIP	0.1uF	10%	25V
C1128	1-100-566-11	CERAMIC CHIP	0.1uF	10%	25V (DG600)	C1362	1-162-974-11	CERAMIC CHIP	0.01uF		50V
C1129	1-162-974-11	CERAMIC CHIP	0.01uF		50V	C1401	1-100-566-11	CERAMIC CHIP	0.1uF	10%	25V
C1130	1-162-974-11	CERAMIC CHIP	0.01uF		50V	C1402	1-126-947-11	ELECT	47uF	20%	35V
C1131	1-162-974-11	CERAMIC CHIP	0.01uF		50V	C1403	1-126-964-11	ELECT	10uF	20%	50V
C1132	1-162-974-11	CERAMIC CHIP	0.01uF		50V	C1404	1-100-566-11	CERAMIC CHIP	0.1uF	10%	25V
C1133	1-100-566-11	CERAMIC CHIP	0.1uF	10%	25V (DG600)	C1405	1-162-962-11	CERAMIC CHIP	470PF	10%	50V
C1134	1-126-947-11	ELECT	47uF	20%	35V (DG600)	C1406	1-126-963-11	ELECT	4.7uF	20%	50V
C1137	1-162-970-11	CERAMIC CHIP	0.01uF	10%	25V	C1407	1-126-963-11	ELECT	4.7uF	20%	50V
C1138	1-100-566-11	CERAMIC CHIP	0.1uF	10%	25V	C1408	1-162-962-11	CERAMIC CHIP	470PF	10%	50V
C1139	1-100-566-11	CERAMIC CHIP	0.1uF	10%	25V	C1409	1-100-566-11	CERAMIC CHIP	0.1uF	10%	25V
C1140	1-100-566-11	CERAMIC CHIP	0.1uF	10%	25V	C1411	1-162-963-11	CERAMIC CHIP	680PF	10%	50V
C1141	1-100-566-11	CERAMIC CHIP	0.1uF	10%	25V (DG600)	C1413	1-162-961-11	CERAMIC CHIP	330PF	10%	50V
C1142	1-100-566-11	CERAMIC CHIP	0.1uF	10%	25V	C1418	1-126-964-11	ELECT	10uF	20%	50V
C1144	1-162-974-11	CERAMIC CHIP	0.01uF		50V	C1422	1-162-963-11	CERAMIC CHIP	680PF	10%	50V
C1145	1-162-974-11	CERAMIC CHIP	0.01uF		50V	C1423	1-162-961-11	CERAMIC CHIP	330PF	10%	50V
C1146	1-162-974-11	CERAMIC CHIP	0.01uF		50V	C1428	1-126-964-11	ELECT	10uF	20%	50V
C1149	1-162-960-11	CERAMIC CHIP	220PF	10%	50V	C1432	1-162-963-11	CERAMIC CHIP	680PF	10%	50V
C1171	1-162-974-11	CERAMIC CHIP	0.01uF		50V	C1433	1-162-961-11	CERAMIC CHIP	330PF	10%	50V
C1172	1-162-974-11	CERAMIC CHIP	0.01uF		50V	C1438	1-126-964-11	ELECT	10uF	20%	50V
C1251	1-100-566-11	CERAMIC CHIP	0.1uF	10%	25V	C1441	1-162-963-11	CERAMIC CHIP	680PF	10%	50V
C1252	1-100-566-11	CERAMIC CHIP	0.1uF	10%	25V	C1442	1-162-961-11	CERAMIC CHIP	330PF	10%	50V
C1253	1-100-566-11	CERAMIC CHIP	0.1uF	10%	25V	C1448	1-126-964-11	ELECT	10uF	20%	50V
C1254	1-162-960-11	CERAMIC CHIP	220PF	10%	50V	C1450	1-100-566-11	CERAMIC CHIP	0.1uF	10%	25V
C1255	1-162-960-11	CERAMIC CHIP	220PF	10%	50V	C1451	1-162-963-11	CERAMIC CHIP	680PF	10%	50V
C1299	1-100-566-11	CERAMIC CHIP	0.1uF	10%	25V	C1453	1-162-961-11	CERAMIC CHIP	330PF	10%	50V
C1301	1-100-566-11	CERAMIC CHIP	0.1uF	10%	25V	C1454	1-100-566-11	CERAMIC CHIP	0.1uF	10%	25V
C1302	1-162-974-11	CERAMIC CHIP	0.01uF		50V	C1457	1-126-964-11	ELECT	10uF	20%	50V
C1303	1-100-566-11	CERAMIC CHIP	0.1uF	10%	25V	C1458	1-126-964-11	ELECT	10uF	20%	50V
C1304	1-110-563-11	CERAMIC CHIP	0.068uF	10%	16V (DG600)	C1460	1-126-964-11	ELECT	10uF	20%	50V
C1304	1-162-974-11	CERAMIC CHIP	0.01uF		50V (DG500)	C1462	1-162-963-11	CERAMIC CHIP	680PF	10%	50V
C1305	1-100-566-11	CERAMIC CHIP	0.1uF	10%	25V	C1463	1-162-961-11	CERAMIC CHIP	330PF	10%	50V
C1306	1-126-947-11	ELECT	47uF	20%	35V	C1468	1-126-964-11	ELECT	10uF	20%	50V
C1308	1-100-566-11	CERAMIC CHIP	0.1uF	10%	25V	C1472	1-162-963-11	CERAMIC CHIP	680PF	10%	50V
C1309	1-162-918-11	CERAMIC CHIP	18PF	5%	50V	C1473	1-162-961-11	CERAMIC CHIP	330PF	10%	50V
C1310	1-162-918-11	CERAMIC CHIP	18PF	5%	50V	C1478	1-126-964-11	ELECT	10uF	20%	50V
						C1481	1-162-961-11	CERAMIC CHIP	330PF	10%	50V
						C1483	1-162-963-11	CERAMIC CHIP	680PF	10%	50V
						C1487	1-162-966-11	CERAMIC CHIP	0.0022uF	10%	50V

## STR-DG500/DG600

Ver. 1.2

DIGITAL

Ref. No.	Part No.	Description	Remark	Ref. No.	Part No.	Description	Remark
C1488	1-126-964-11	ELECT	10uF 20% 50V (DG600)	CNS508	1-568-830-11	CONNECTOR, FFC 11P (EXCEPT AEP,UK)	
C1491	1-126-964-11	ELECT	10uF 20% 50V	CNS508	1-784-776-11	CONNECTOR, FFC 15P (AEP,UK)	
C1494	1-100-566-11	CERAMIC CHIP	0.1uF 10% 25V	CNS509	1-568-828-11	SOCKET, CONNECTOR FPC/FFC (9P) (for 9 pin connecting)	
C1495	1-162-960-11	CERAMIC CHIP	220PF 10% 50V	CNS509	1-784-778-11	CONNECTOR, FFC 17P (for 17 pin connecting)	
C1501	1-100-566-11	CERAMIC CHIP	0.1uF 10% 25V			< DIODE >	
C1502	1-100-566-11	CERAMIC CHIP	0.1uF 10% 25V	D1001	8-719-053-18	DIODE 1SR154-400TE-25	
C1503	1-100-566-11	CERAMIC CHIP	0.1uF 10% 25V	D1003	8-719-049-09	DIODE 1SS367-T3SONY	
C1504	1-100-566-11	CERAMIC CHIP	0.1uF 10% 25V	D1004	8-719-049-09	DIODE 1SS367-T3SONY	
C1505	1-100-566-11	CERAMIC CHIP	0.1uF 10% 25V	D1107	8-719-988-61	DIODE 1SS355TE-17	
C1506	1-100-566-11	CERAMIC CHIP	0.1uF 10% 25V	D1108	8-719-988-61	DIODE 1SS355TE-17	
C1507	1-100-566-11	CERAMIC CHIP	0.1uF 10% 25V	D1110	8-719-988-61	DIODE 1SS355TE-17	
C1508	1-100-566-11	CERAMIC CHIP	0.1uF 10% 25V	D1111	8-719-988-61	DIODE 1SS355TE-17	
C1509	1-100-566-11	CERAMIC CHIP	0.1uF 10% 25V	D1301	8-719-988-61	DIODE 1SS355TE-17	
C1510	1-100-566-11	CERAMIC CHIP	0.1uF 10% 25V	D1302	8-719-988-61	DIODE 1SS355TE-17	
C1511	1-100-566-11	CERAMIC CHIP	0.1uF 10% 25V	D1501	8-719-049-09	DIODE 1SS367-T3SONY	
C1513	1-100-566-11	CERAMIC CHIP	0.1uF 10% 25V	D1502	8-719-049-09	DIODE 1SS367-T3SONY	
C1514	1-100-566-11	CERAMIC CHIP	0.1uF 10% 25V	D1503	8-719-049-09	DIODE 1SS367-T3SONY	
C1515	1-126-925-11	ELECT	470uF 20% 10V	D1504	8-719-049-09	DIODE 1SS367-T3SONY	
C1516	1-100-566-11	CERAMIC CHIP	0.1uF 10% 25V			< FERRITE BEAD >	
C1517	1-126-925-11	ELECT	470uF 20% 10V	FB1101	1-400-862-11	BEAD, FERRITE	
C1518	1-100-566-11	CERAMIC CHIP	0.1uF 10% 25V	FB1302	1-400-862-11	BEAD, FERRITE	
C1519	1-100-566-11	CERAMIC CHIP	0.1uF 10% 25V	FB1305	1-400-862-11	BEAD, FERRITE	
C1520	1-100-566-11	CERAMIC CHIP	0.1uF 10% 25V	FB1306	1-400-862-11	BEAD, FERRITE	
C1521	1-162-920-11	CERAMIC CHIP	27PF 5% 50V	FB1308	1-400-862-11	BEAD, FERRITE	
C1522	1-162-920-11	CERAMIC CHIP	27PF 5% 50V	FB1309	1-400-862-11	BEAD, FERRITE (DG600)	
C1525	1-126-925-11	ELECT	470uF 20% 10V	FB1405	1-400-862-11	BEAD, FERRITE	
C1547	1-162-966-11	CERAMIC CHIP	0.0022uF 10% 50V	FB1452	1-400-862-11	BEAD, FERRITE	
C1557	1-162-966-11	CERAMIC CHIP	0.0022uF 10% 50V	FB1453	1-400-862-11	BEAD, FERRITE	
C1558	1-162-966-11	CERAMIC CHIP	0.0022uF 10% 50V (DG600)	FB1501	1-400-862-11	BEAD, FERRITE	
C1566	1-162-966-11	CERAMIC CHIP	0.0022uF 10% 50V	FB1502	1-400-862-11	BEAD, FERRITE	
C1567	1-162-966-11	CERAMIC CHIP	0.0022uF 10% 50V	FB1503	1-400-862-11	BEAD, FERRITE	
C1568	1-162-966-11	CERAMIC CHIP	0.0022uF 10% 50V	FB2034	1-400-862-11	BEAD, FERRITE	
C1569	1-162-966-11	CERAMIC CHIP	0.0022uF 10% 50V			< IC >	
C1601	1-162-974-11	CERAMIC CHIP	0.01uF 50V	IC1001	8-759-231-53	IC TA7805S	
C1602	1-162-927-11	CERAMIC CHIP	100PF 5% 50V	IC1031	6-705-464-01	IC BA50BC0T	
C1604	1-100-566-11	CERAMIC CHIP	0.1uF 10% 25V	IC1071	6-702-771-01	IC TA78033LS (AEP,UK)	
C1605	1-100-566-11	CERAMIC CHIP	0.1uF 10% 25V	IC1101	6-806-144-01	IC MB90488BPF-G-175E1 (DG500)	
C1620	1-100-566-11	CERAMIC CHIP	0.1uF 10% 25V	IC1101	6-806-146-01	IC MB90488BPF-G-178E1 (DG600)	
C1905	1-100-566-11	CERAMIC CHIP	0.1uF 10% 25V	IC1103	8-759-242-70	IC TC7WU04F (DG600)	
C1906	1-126-925-11	ELECT	470uF 20% 10V	IC1111	6-702-913-01	IC S-80929CNMC-G8ZT2G	
C1908	1-126-925-11	ELECT	470uF 20% 10V	IC1131	6-705-866-01	IC BR24L16FJ-WE2	
C1913	1-100-566-11	CERAMIC CHIP	0.1uF 10% 25V	IC1301	6-805-692-01	IC LC890561W (DG600)	
C1914	1-126-947-11	ELECT	47uF 20% 35V	IC1301	8-759-825-15	IC LC89056W-E (DG500)	
C2216	1-100-566-11	CERAMIC CHIP	0.1uF 10% 25V	IC1302	8-759-595-15	IC TC74ACT153F(EL) (DG600)	
C2217	1-100-566-11	CERAMIC CHIP	0.1uF 10% 25V	IC1303	8-759-242-70	IC TC7WU04F	
C2218	1-126-947-11	ELECT	47uF 20% 35V	IC1351	6-600-466-01	IC TORX147L (DIGITAL VIDEO 2 IN (OPTICAL))	
		< CONNECTOR >		IC1352	6-600-466-01	IC TORX147L (DIGITAL MD/TAPE IN (OPTICAL)) (DG600)	
CNP503	1-784-922-11	PIN, CONNECTOR 5P		IC1353	6-600-461-01	IC TOTX147L (DIGITAL MD/TAPE OUT (OPTICAL)) (DG600)	
CNP504	1-784-923-11	PIN, CONNECTOR 7P		IC1354	6-600-466-01	IC TORX147L (DIGITAL VIDEO 1 IN (OPTICAL))	
CNP505	1-784-925-11	PIN, CONNECTOR 10P		IC1401	8-759-560-56	IC PCM1800E/2K	
CNS501	1-573-829-11	CONNECTOR, BOARD TO BOARD 15P		IC1403	8-759-710-97	IC NJM4565M-D	
CNS502	1-766-719-41	CONNECTOR, BOARD TO BOARD 10P					
CNS503	1-568-828-11	CONNECTOR, FFC 9P (DG600:US,CND)					
CNS504	1-568-828-11	CONNECTOR, FFC 9P					
CNS505	1-784-784-11	CONNECTOR, FFC 23P					

Ref. No.	Part No.	Description	Remark	Ref. No.	Part No.	Description	Remark
IC1404	8-759-710-97	IC NJM4565M-D		R1060	1-216-821-11	METAL CHIP 1K 5%	1/10W (DG600)
IC1405	8-759-710-97	IC NJM4565M-D		R1061	1-216-809-11	METAL CHIP 100 5%	1/10W
IC1406	8-759-710-97	IC NJM4565M-D		R1062	1-216-809-11	METAL CHIP 100 5%	1/10W
IC1452	6-708-785-01	IC PCM1609APT		R1063	1-216-809-11	METAL CHIP 100 5%	1/10W
IC1501	6-705-900-01	IC CXD9718BQ		R1065	1-216-809-11	METAL CHIP 100 5%	1/10W
IC1502	6-709-278-01	IC IS61WV6416BLL-12TLI		R1066	1-216-809-11	METAL CHIP 100 5%	1/10W
IC1503	8-759-546-74	IC TC7WH157FU(TE12R)		R1067	1-216-809-11	METAL CHIP 100 5%	1/10W
IC1601	8-759-268-29	IC SN74HC595ANS		R1068	1-216-809-11	METAL CHIP 100 5%	1/10W
IC1602	8-759-268-29	IC SN74HC595ANS		R1072	1-216-827-11	METAL CHIP 3.3K 5%	1/10W
IC1901	6-701-887-02	IC SI-3004KWF		R1073	1-216-827-11	METAL CHIP 3.3K 5%	1/10W
IC1902	6-703-550-01	IC TA7809LS		R1076	1-216-809-11	METAL CHIP 100 5%	1/10W
IC1904	6-705-463-01	IC BA33BC0T		R1077	1-216-809-11	METAL CHIP 100 5%	1/10W
		< JACK >		R1078	1-216-809-11	METAL CHIP 100 5%	1/10W
J1301	1-794-972-11	JACK, PIN 1P (DIGITAL DVD IN (COAXIAL)) (DG500)		R1081	1-216-809-11	METAL CHIP 100 5%	1/10W
J1301	1-818-314-11	JACK, PIN 2P (DIGITAL DVD IN (COAXIAL), SA-CD/CD IN (COAXIAL)) (DG600)		R1082	1-216-809-11	METAL CHIP 100 5%	1/10W
		< JUMPER RESISTOR >		R1083	1-216-833-11	METAL CHIP 10K 5%	1/10W
JR1005	1-216-864-11	SHORT CHIP 0 (DG500)		R1085	1-216-809-11	METAL CHIP 100 5%	1/10W (DG600)
JR1007	1-216-864-11	SHORT CHIP 0 (DG600)		R1086	1-216-809-11	METAL CHIP 100 5%	1/10W (DG600)
JR1008	1-216-864-11	SHORT CHIP 0 (DG500)		R1088	1-216-833-11	METAL CHIP 10K 5%	1/10W
JR1015	1-211-950-11	SHORT CHIP 0		R1094	1-216-833-11	METAL CHIP 10K 5%	1/10W (EXCEPT AEP,UK)
JR1016	1-211-950-11	SHORT CHIP 0		R1095	1-216-833-11	METAL CHIP 10K 5%	1/10W (EXCEPT AEP,UK)
JR1019	1-100-566-11	CERAMIC CHIP 0.1uF 10% 25V		R1096	1-216-833-11	METAL CHIP 10K 5%	1/10W
JR1020	1-216-864-11	SHORT CHIP 0		R1097	1-216-845-11	METAL CHIP 100K 5%	1/10W
JR1104	1-216-864-11	SHORT CHIP 0		R1103	1-216-864-11	SHORT CHIP 0	
JR1202	1-216-864-11	SHORT CHIP 0 (EXCEPT AEP,UK)		R1105	1-216-833-11	METAL CHIP 10K 5%	1/10W
JR1207	1-211-950-11	SHORT CHIP 0		R1106	1-216-809-11	METAL CHIP 100 5%	1/10W
JR1302	1-216-864-11	SHORT CHIP 0 (DG500)		R1107	1-216-825-11	METAL CHIP 2.2K 5%	1/10W
JR1303	1-216-864-11	SHORT CHIP 0 (DG500)		R1108	1-216-825-11	METAL CHIP 2.2K 5%	1/10W
JR1511	1-400-862-11	BEAD, FERRITE		R1109	1-216-825-11	METAL CHIP 2.2K 5%	1/10W
		< RESISTOR >		R1110	1-216-825-11	METAL CHIP 2.2K 5%	1/10W
R1010	1-216-809-11	METAL CHIP 100 5%	1/10W	R1111	1-216-825-11	METAL CHIP 2.2K 5%	1/10W
R1011	1-216-809-11	METAL CHIP 100 5%	1/10W	R1112	1-216-809-11	METAL CHIP 100 5%	1/10W
R1012	1-216-809-11	METAL CHIP 100 5%	1/10W	R1113	1-216-809-11	METAL CHIP 100 5%	1/10W
R1013	1-216-809-11	METAL CHIP 100 5%	1/10W	R1114	1-216-825-11	METAL CHIP 2.2K 5%	1/10W
R1014	1-216-809-11	METAL CHIP 100 5%	1/10W	R1115	1-216-809-11	METAL CHIP 100 5%	1/10W
R1015	1-216-809-11	METAL CHIP 100 5%	1/10W	R1116	1-216-809-11	METAL CHIP 100 5%	1/10W
R1016	1-216-809-11	METAL CHIP 100 5%	1/10W	R1117	1-216-821-11	METAL CHIP 1K 5%	1/10W
R1017	1-216-809-11	METAL CHIP 100 5%	1/10W	R1118	1-216-821-11	METAL CHIP 1K 5%	1/10W
R1035	1-216-825-11	METAL CHIP 2.2K 5%	1/10W	R1119	1-216-821-11	METAL CHIP 1K 5%	1/10W
R1039	1-216-833-11	METAL CHIP 10K 5%	1/10W	R1120	1-216-821-11	METAL CHIP 1K 5%	1/10W
R1041	1-216-809-11	METAL CHIP 100 5%	1/10W	R1121	1-216-809-11	METAL CHIP 100 5%	1/10W
R1042	1-216-809-11	METAL CHIP 100 5%	1/10W	R1122	1-216-809-11	METAL CHIP 100 5%	1/10W
R1044	1-216-809-11	METAL CHIP 100 5%	1/10W	R1123	1-216-809-11	METAL CHIP 100 5%	1/10W
R1049	1-216-833-11	METAL CHIP 10K 5%	1/10W	R1124	1-216-809-11	METAL CHIP 100 5%	1/10W
R1055	1-216-809-11	METAL CHIP 100 5%	1/10W (DG600)	R1125	1-216-809-11	METAL CHIP 100 5%	1/10W
R1056	1-216-854-11	METAL CHIP 560K 5%	1/10W (DG600)	R1126	1-216-809-11	METAL CHIP 100 5%	1/10W
R1057	1-216-837-11	METAL CHIP 22K 5%	1/10W (DG600)	R1127	1-216-809-11	METAL CHIP 100 5%	1/10W
R1058	1-216-813-11	METAL CHIP 220 5%	1/10W (AEP,UK)	R1128	1-216-809-11	METAL CHIP 100 5%	1/10W
R1059	1-216-813-11	METAL CHIP 220 5%	1/10W (AEP,UK)	R1129	1-216-809-11	METAL CHIP 100 5%	1/10W
				R1130	1-216-833-11	METAL CHIP 10K 5%	1/10W
				R1134	1-216-809-11	METAL CHIP 100 5%	1/10W
				R1135	1-216-809-11	METAL CHIP 100 5%	1/10W
				R1136	1-216-809-11	METAL CHIP 100 5%	1/10W
				R1137	1-216-809-11	METAL CHIP 100 5%	1/10W

# STR-DG500/DG600

Ver. 1.2

DIGITAL

Ref. No.	Part No.	Description	Quantity	Percentage	Remark	Ref. No.	Part No.	Description	Quantity	Percentage	Remark
R1140	1-216-809-11	METAL CHIP	100	5%	1/10W	R1260	1-216-821-11	METAL CHIP	1K	5%	1/10W
R1142	1-216-809-11	METAL CHIP	100	5%	1/10W	R1261	1-216-821-11	METAL CHIP	1K	5%	1/10W
R1143	1-216-809-11	METAL CHIP	100	5%	1/10W	R1301	1-216-830-11	METAL CHIP	5.6K	5%	1/10W
R1144	1-216-809-11	METAL CHIP	100	5%	1/10W	R1302	1-216-829-11	METAL CHIP	4.7K	5%	1/10W (DG500)
R1149	1-216-809-11	METAL CHIP	100	5%	1/10W	R1303	1-216-839-11	METAL CHIP	33K	5%	1/10W (DG500)
R1150	1-216-809-11	METAL CHIP	100	5%	1/10W	R1303	1-216-864-11	SHORT CHIP	0 (DG600)		
R1151	1-216-809-11	METAL CHIP	100	5%	1/10W	R1304	1-216-809-11	METAL CHIP	100	5%	1/10W (DG500)
R1152	1-216-809-11	METAL CHIP	100	5%	1/10W	R1304	1-216-813-11	METAL CHIP	220	5%	1/10W (DG600)
R1153	1-216-809-11	METAL CHIP	100	5%	1/10W	R1305	1-216-819-11	METAL CHIP	680	5%	1/10W
R1154	1-216-809-11	METAL CHIP	100	5%	1/10W	R1306	1-216-801-11	METAL CHIP	22	5%	1/10W
R1155	1-216-809-11	METAL CHIP	100	5%	1/10W	R1307	1-216-809-11	METAL CHIP	100	5%	1/10W
R1156	1-216-864-11	SHORT CHIP	0			R1308	1-216-809-11	METAL CHIP	100	5%	1/10W
R1157	1-216-864-11	SHORT CHIP	0			R1309	1-216-809-11	METAL CHIP	100	5%	1/10W
R1159	1-216-827-11	METAL CHIP	3.3K	5%	1/10W	R1310	1-216-857-11	METAL CHIP	1M	5%	1/10W
R1160	1-216-809-11	METAL CHIP	100	5%	1/10W	R1311	1-216-809-11	METAL CHIP	100	5%	1/10W
R1161	1-216-809-11	METAL CHIP	100	5%	1/10W	R1312	1-216-809-11	METAL CHIP	100	5%	1/10W
R1162	1-216-809-11	METAL CHIP	100	5%	1/10W	R1313	1-216-809-11	METAL CHIP	100	5%	1/10W
R1163	1-216-841-11	METAL CHIP	47K	5%	1/10W (DG500)	R1314	1-216-833-11	METAL CHIP	10K	5%	1/10W
R1164	1-216-837-11	METAL CHIP	22K	5%	1/10W (DG500)	R1315	1-216-809-11	METAL CHIP	100	5%	1/10W
R1164	1-216-864-11	SHORT CHIP	0 (DG600)			R1316	1-216-809-11	METAL CHIP	100	5%	1/10W
R1171	1-216-833-11	METAL CHIP	10K	5%	1/10W	R1318	1-216-833-11	METAL CHIP	10K	5%	1/10W
R1172	1-216-833-11	METAL CHIP	10K	5%	1/10W	R1319	1-216-864-11	SHORT CHIP	0		
R1175	1-216-809-11	METAL CHIP	100	5%	1/10W (AEP,UK)	R1320	1-216-833-11	METAL CHIP	10K	5%	1/10W (DG600)
R1179	1-216-833-11	METAL CHIP	10K	5%	1/10W	R1321	1-216-864-11	SHORT CHIP	0 (DG500)		
R1180	1-216-833-11	METAL CHIP	10K	5%	1/10W	R1322	1-216-864-11	SHORT CHIP	0 (DG600)		
R1181	1-216-833-11	METAL CHIP	10K	5%	1/10W	R1323	1-216-833-11	METAL CHIP	10K	5%	1/10W (DG500)
R1182	1-216-833-11	METAL CHIP	10K	5%	1/10W	R1351	1-216-809-11	METAL CHIP	100	5%	1/10W
R1183	1-216-833-11	METAL CHIP	10K	5%	1/10W	R1352	1-216-809-11	METAL CHIP	100	5%	1/10W (DG600)
R1184	1-216-833-11	METAL CHIP	10K	5%	1/10W	R1353	1-216-809-11	METAL CHIP	100	5%	1/10W (DG600)
R1185	1-216-833-11	METAL CHIP	10K	5%	1/10W	R1354	1-216-809-11	METAL CHIP	100	5%	1/10W
R1186	1-216-833-11	METAL CHIP	10K	5%	1/10W	R1355	1-218-285-11	METAL CHIP	75	5%	1/10W
R1187	1-216-833-11	METAL CHIP	10K	5%	1/10W	R1356	1-216-821-11	METAL CHIP	1K	5%	1/10W
R1188	1-216-833-11	METAL CHIP	10K	5%	1/10W	R1357	1-216-837-11	METAL CHIP	22K	5%	1/10W
R1189	1-216-833-11	METAL CHIP	10K	5%	1/10W	R1358	1-216-854-11	METAL CHIP	560K	5%	1/10W
R1190	1-216-833-11	METAL CHIP	10K	5%	1/10W	R1359	1-216-809-11	METAL CHIP	100	5%	1/10W
R1191	1-216-833-11	METAL CHIP	10K	5%	1/10W	R1360	1-216-809-11	METAL CHIP	100	5%	1/10W
R1192	1-216-833-11	METAL CHIP	10K	5%	1/10W	R1361	1-216-809-11	METAL CHIP	100	5%	1/10W (DG600)
R1193	1-216-829-11	METAL CHIP	4.7K	5%	1/10W (KR,TW)	R1362	1-216-809-11	METAL CHIP	100	5%	1/10W
R1193	1-216-837-11	METAL CHIP	22K	5%	1/10W (AUS)	R1366	1-218-285-11	METAL CHIP	75	5%	1/10W (DG600)
R1193	1-216-841-11	METAL CHIP	47K	5%	1/10W (AEP,UK,E2,MY,SP,TH)	R1401	1-216-821-11	METAL CHIP	1K	5%	1/10W
R1194	1-216-825-11	METAL CHIP	2.2K	5%	1/10W (AEP,UK)	R1402	1-216-825-11	METAL CHIP	2.2K	5%	1/10W
R1194	1-216-829-11	METAL CHIP	4.7K	5%	1/10W (MY,SP,TH)	R1403	1-216-833-11	METAL CHIP	10K	5%	1/10W
R1194	1-216-833-11	METAL CHIP	10K	5%	1/10W (DG500:E2)	R1407	1-216-809-11	METAL CHIP	100	5%	1/10W
R1194	1-216-837-11	METAL CHIP	22K	5%	1/10W (DG600:E2)	R1414	1-218-867-11	METAL CHIP	6.8K	0.5%	1/10W
R1194	1-216-841-11	METAL CHIP	47K	5%	1/10W (AUS,KR,TW)	R1416	1-216-821-11	METAL CHIP	1K	5%	1/10W
R1194	1-216-864-11	SHORT CHIP	0 (US,CND)			R1420	1-216-864-11	SHORT CHIP	0		
R1201	1-216-837-11	METAL CHIP	22K	5%	1/10W	R1421	1-218-867-11	METAL CHIP	6.8K	0.5%	1/10W
R1251	1-216-840-11	METAL CHIP	39K	5%	1/10W	R1424	1-218-867-11	METAL CHIP	6.8K	0.5%	1/10W
R1252	1-216-840-11	METAL CHIP	39K	5%	1/10W	R1425	1-216-864-11	SHORT CHIP	0		
						R1426	1-216-821-11	METAL CHIP	1K	5%	1/10W

Ref. No.	Part No.	Description	Remark	Ref. No.	Part No.	Description	Remark
R1434	1-218-867-11	METAL CHIP	6.8K 0.5% 1/10W	R1635	1-216-825-11	METAL CHIP	2.2K 5% 1/10W
R1435	1-216-864-11	SHORT CHIP	0	R1636	1-216-825-11	METAL CHIP	2.2K 5% 1/10W
R1436	1-216-821-11	METAL CHIP	1K 5% 1/10W	R1801	1-216-809-11	METAL CHIP	100 5% 1/10W
R1444	1-218-867-11	METAL CHIP	6.8K 0.5% 1/10W				(DG600:US,CND)
R1445	1-216-864-11	SHORT CHIP	0	R1802	1-216-809-11	METAL CHIP	100 5% 1/10W
							(DG600:US,CND)
R1446	1-216-821-11	METAL CHIP	1K 5% 1/10W	R1803	1-216-809-11	METAL CHIP	100 5% 1/10W
R1454	1-218-867-11	METAL CHIP	6.8K 0.5% 1/10W				(DG600:US,CND)
R1455	1-216-864-11	SHORT CHIP	0	R1804	1-216-809-11	METAL CHIP	100 5% 1/10W
R1456	1-216-821-11	METAL CHIP	1K 5% 1/10W (DG600)				(DG600:US,CND)
R1460	1-216-864-11	SHORT CHIP	0	R1805	1-216-809-11	METAL CHIP	100 5% 1/10W
							(DG600:US,CND)
R1461	1-216-864-11	SHORT CHIP	0	R1806	1-216-809-11	METAL CHIP	100 5% 1/10W
R1463	1-218-867-11	METAL CHIP	6.8K 0.5% 1/10W				(DG600:US,CND)
R1464	1-216-864-11	SHORT CHIP	0	R1807	1-216-809-11	METAL CHIP	100 5% 1/10W
R1466	1-216-821-11	METAL CHIP	1K 5% 1/10W				(DG600:US,CND)
R1470	1-218-867-11	METAL CHIP	6.8K 0.5% 1/10W				
							< NETWORK RESISTOR >
R1471	1-216-864-11	SHORT CHIP	0	RB1500	1-233-576-11	RES, CHIP NETWORK 100X4 (3216)	
R1472	1-216-864-11	SHORT CHIP	0	RB1501	1-233-576-11	RES, CHIP NETWORK 100X4 (3216)	
R1473	1-218-867-11	METAL CHIP	6.8K 0.5% 1/10W	RB1502	1-233-576-11	RES, CHIP NETWORK 100X4 (3216)	
R1474	1-216-833-11	METAL CHIP	10K 5% 1/10W	RB1503	1-233-576-11	RES, CHIP NETWORK 100X4 (3216)	
R1475	1-216-864-11	SHORT CHIP	0	RB1504	1-233-576-11	RES, CHIP NETWORK 100X4 (3216)	
R1476	1-216-821-11	METAL CHIP	1K 5% 1/10W	RB1506	1-233-576-11	RES, CHIP NETWORK 100X4 (3216)	
R1483	1-218-867-11	METAL CHIP	6.8K 0.5% 1/10W	RB1507	1-233-576-11	RES, CHIP NETWORK 100X4 (3216)	
R1484	1-216-864-11	SHORT CHIP	0	RB1508	1-233-576-11	RES, CHIP NETWORK 100X4 (3216)	
R1486	1-216-821-11	METAL CHIP	1K 5% 1/10W				< VIBRATOR >
R1490	1-218-867-11	METAL CHIP	6.8K 0.5% 1/10W	X1101	1-813-448-21	PIEZOELECTRIC OSCILLATOR (24MHz)	
				X1301	1-795-126-21	VIBRATOR, CRYSTAL (12.288MHz)	
R1491	1-218-867-11	METAL CHIP	6.8K 0.5% 1/10W	X1502	1-813-276-21	QUARTZ, CRYSTAL (13.9MHz)	
R1492	1-218-867-11	METAL CHIP	6.8K 0.5% 1/10W				*****
R1493	1-218-867-11	METAL CHIP	6.8K 0.5% 1/10W				
R1494	1-218-867-11	METAL CHIP	6.8K 0.5% 1/10W	A-1157-231-A	DISPLAY BOARD, COMPLETE (DG500:US,CND)		
R1495	1-218-867-11	METAL CHIP	6.8K 0.5% 1/10W	A-1157-288-A	DISPLAY BOARD, COMPLETE (DG500:EXCEPT US,CND)		
R1501	1-216-809-11	METAL CHIP	100 5% 1/10W	A-1157-415-A	DISPLAY BOARD, COMPLETE (DG600:US,CND)		
R1502	1-216-809-11	METAL CHIP	100 5% 1/10W	A-1157-452-A	DISPLAY BOARD, COMPLETE (DG600:E2,MY,SP,TH)		
R1503	1-216-813-11	METAL CHIP	220 5% 1/10W				*****
R1504	1-216-809-11	METAL CHIP	100 5% 1/10W				< CAPACITOR >
R1505	1-216-809-11	METAL CHIP	100 5% 1/10W	C100	1-127-888-11	CERAMIC	0.1uF 10% 50V
				C101	1-127-888-11	CERAMIC	0.1uF 10% 50V
R1506	1-216-809-11	METAL CHIP	100 5% 1/10W	C104	1-113-342-11	CERAMIC	0.1uF 50V (DG500)
R1507	1-216-809-11	METAL CHIP	100 5% 1/10W	C104	1-127-888-11	CERAMIC	0.1uF 10% 50V (DG600)
R1508	1-216-809-11	METAL CHIP	100 5% 1/10W	C106	1-127-868-11	CERAMIC	0.0022uF 10% 50V
R1509	1-216-809-11	METAL CHIP	100 5% 1/10W	C107	1-127-868-11	CERAMIC	0.0022uF 10% 50V
R1510	1-216-809-11	METAL CHIP	100 5% 1/10W	C108	1-127-888-11	CERAMIC	0.1uF 10% 50V
				C109	1-127-888-11	CERAMIC	0.1uF 10% 50V
R1511	1-216-809-11	METAL CHIP	100 5% 1/10W	C110	1-162-286-31	CERAMIC	220PF 10% 50V
R1512	1-216-821-11	METAL CHIP	1K 5% 1/10W	C111	1-162-286-31	CERAMIC	220PF 10% 50V
R1513	1-216-833-11	METAL CHIP	10K 5% 1/10W	C112	1-162-286-31	CERAMIC	220PF 10% 50V
R1514	1-216-833-11	METAL CHIP	10K 5% 1/10W	C114	1-135-798-11	CERAMIC	0.22uF 50V
R1515	1-216-857-11	METAL CHIP	1M 5% 1/10W	C115	1-126-795-11	ELECT	10uF 20% 50V
				C132	1-162-286-31	CERAMIC	220PF 10% 50V
R1523	1-216-813-11	METAL CHIP	220 5% 1/10W	C133	1-162-286-31	CERAMIC	220PF 10% 50V
R1524	1-216-864-11	SHORT CHIP	0				
R1530	1-216-845-11	METAL CHIP	100K 5% 1/10W	C134	1-162-286-31	CERAMIC	220PF 10% 50V
R1541	1-216-813-11	METAL CHIP	220 5% 1/10W	C135	1-162-286-31	CERAMIC	220PF 10% 50V
R1555	1-216-813-11	METAL CHIP	220 5% 1/10W				
R1556	1-216-809-11	METAL CHIP	100 5% 1/10W				
R1557	1-216-813-11	METAL CHIP	220 5% 1/10W				
R1570	1-216-833-11	METAL CHIP	10K 5% 1/10W				
R1571	1-216-833-11	METAL CHIP	10K 5% 1/10W				
R1572	1-216-833-11	METAL CHIP	10K 5% 1/10W				
R1573	1-216-833-11	METAL CHIP	10K 5% 1/10W				
R1574	1-216-833-11	METAL CHIP	10K 5% 1/10W				

# STR-DG500/DG600

Ver. 1.2

**DISPLAY**    **HEADPHONE**

Ref. No.	Part No.	Description	Remark
C136	1-162-286-31	CERAMIC 220PF 10% 50V	
C137	1-162-286-31	CERAMIC 220PF 10% 50V	
C138	1-162-286-31	CERAMIC 220PF 10% 50V	
C139	1-162-286-31	CERAMIC 220PF 10% 50V	
C140	1-162-286-31	CERAMIC 220PF 10% 50V	
C141	1-162-286-31	CERAMIC 220PF 10% 50V	
C142	1-162-286-31	CERAMIC 220PF 10% 50V	
C143	1-162-286-31	CERAMIC 220PF 10% 50V	
C144	1-127-888-11	CERAMIC 0.1uF 10% 50V	
C145	1-127-888-11	CERAMIC 0.1uF 10% 50V	
C146	1-126-795-11	ELECT 10uF 20% 50V	
C147	1-162-286-31	CERAMIC 220PF 10% 50V	
C148	1-162-286-31	CERAMIC 220PF 10% 50V	
C149	1-162-286-31	CERAMIC 220PF 10% 50V	
C150	1-127-888-11	CERAMIC 0.1uF 10% 50V	
C151	1-127-888-11	CERAMIC 0.1uF 10% 50V	
C152	1-127-888-11	CERAMIC 0.1uF 10% 50V	
< CONNECTOR >			
CNS100	1-784-784-11	CONNECTOR, FFC 23P	
< DIODE >			
D105	6-500-647-01	LED SEL5E20C-STP15 (MULTI CHANNEL DECODING)	
< VACUUM FLUORESCENT DISPLAY >			
FL101	1-519-866-01	VACUUM FLUORESCENT DISPLAY	
< IC >			
IC100	8-759-643-83	IC uPD16315GB-3BS	
IC101	8-759-243-51	IC TC74ACT08P	
IC102	6-600-174-01	IC RPM7240-H4 (IR)	
< TRANSISTOR >			
Q110	8-729-119-78	TRANSISTOR 2SC2785-HFE	
< RESISTOR >			
R101	1-249-409-11	CARBON 220 5% 1/4W	
R102	1-249-411-11	CARBON 330 5% 1/4W	
R103	1-249-413-11	CARBON 470 5% 1/4W	
R104	1-249-415-11	CARBON 680 5% 1/4W	
R105	1-247-831-11	CARBON 1K 5% 1/4W	
R106	1-249-419-11	CARBON 1.5K 5% 1/4W	
R107	1-249-421-11	CARBON 2.2K 5% 1/4W	
R108	1-249-409-11	CARBON 220 5% 1/4W	
R109	1-249-411-11	CARBON 330 5% 1/4W	
R110	1-249-413-11	CARBON 470 5% 1/4W	
R111	1-249-415-11	CARBON 680 5% 1/4W	
R115	1-247-807-31	CARBON 100 5% 1/4W	
R116	1-247-807-31	CARBON 100 5% 1/4W	
R117	1-247-807-31	CARBON 100 5% 1/4W	
R118	1-249-440-11	CARBON 82K 5% 1/4W	
R119	1-247-807-31	CARBON 100 5% 1/4W	
R120	1-249-393-11	CARBON 10 5% 1/4W	F
R121	1-249-393-11	CARBON 10 5% 1/4W	F
R122	1-247-804-11	CARBON 75 5% 1/4W	
R123	1-249-429-11	CARBON 10K 5% 1/4W	

Ref. No.	Part No.	Description	Remark
R131	1-249-421-11	CARBON 2.2K 5% 1/4W	
R198	1-249-381-11	CARBON 1 5% 1/4W	F
R199	1-249-381-11	CARBON 1 5% 1/4W	F
< ROTARY ENCODER >			
RV101	1-418-817-11	ENCODER, ROTARY (INPUT SELECTOR)	
RV102	1-418-725-41	ENCODER, ROTARY (12 TYPE) (MASTER VOLUME)	
RV103	1-418-817-11	ENCODER, ROTARY (TUNING +/-) (DG600)	
< SWITCH >			
S101	1-771-410-21	SWITCH, TACTILE (DIRECT)	
S102	1-771-410-21	SWITCH, TACTILE (MULTI CH IN)	
S103	1-771-410-21	SWITCH, TACTILE (INPUT MODE)	
S104	1-771-410-21	SWITCH, TACTILE (DISPLAY)	
S105	1-771-410-21	SWITCH, TACTILE (MOVIE)	
S106	1-771-410-21	SWITCH, TACTILE (A.F.D.)	
S107	1-771-410-21	SWITCH, TACTILE (2CH)	
S108	1-771-410-21	SWITCH, TACTILE (MEMORY/ENTER)	
S109	1-771-410-21	SWITCH, TACTILE (TUNING -) (DG500)	
S109	1-771-410-21	SWITCH, TACTILE (CATEGORY -) (DG600:US,CND)	
S109	1-771-410-21	SWITCH, TACTILE (SLEEP) (DG600:E2,MY,SP,TH)	
S110	1-771-410-21	SWITCH, TACTILE (TUNING MODE) (DG500)	
S110	1-771-410-21	SWITCH, TACTILE (CATEGORY MODE) (DG600:US,CND)	
S110	1-771-410-21	SWITCH, TACTILE (DIMMER) (DG600:E2,MY,SP,TH)	
S111	1-771-410-21	SWITCH, TACTILE (TUNING +) (DG500)	
S111	1-771-410-21	SWITCH, TACTILE (CATEGORY +) (DG600:US,CND)	
S111	1-771-410-21	SWITCH, TACTILE (SUR BACK DECODING) (DG600:E2,MY,SP,TH)	
S112	1-771-410-21	SWITCH, TACTILE (TUNING MODE) (DG600)	
S124	1-771-410-21	SWITCH, TACTILE (MUSIC)	
*****			
HEADPHONE BOARD			
*****			
< CAPACITOR >			
C790	1-127-888-11	CERAMIC 0.1uF 10% 50V	
C791	1-127-888-11	CERAMIC 0.1uF 10% 50V	
< CONNECTOR >			
CNP791	1-691-766-11	PLUG (MICRO CONNECTOR) 4P	
< JACK >			
J791	1-815-314-21	JACK (PHONES)	
< LEAD WIRE >			
* TP701	1-690-880-31	LEAD (WITH CONNECTOR)	
*****			

Ref. No.	Part No.	Description	Remark	Ref. No.	Part No.	Description	Remark
A-1157-218-A		MAIN BOARD, COMPLETE (DG500:US,CND,E2)		C567	1-162-282-31	CERAMIC	100PF 10% 50V
A-1157-285-A		MAIN BOARD, COMPLETE (DG500:EXCEPT US,CND,E2)		C570	1-126-947-11	ELECT	47uF 20% 35V
A-1157-408-A		MAIN BOARD, COMPLETE (DG600:US,CND)		C576	1-162-815-11	CERAMIC	47PF 5% 500V
A-1157-495-A		MAIN BOARD, COMPLETE (DG600:MY,SP,TH)		C577	1-162-815-11	CERAMIC	47PF 5% 500V
A-1157-510-A		MAIN BOARD, COMPLETE (DG600:E2)		C580	1-126-964-11	ELECT	10uF 20% 50V
		*****					
7-685-646-79		SCREW +BVTP 3X8 TYPE2 IT-3		C581	1-127-876-11	CERAMIC	0.01uF 10% 50V
		< CAPACITOR >		C601	1-126-963-11	ELECT	4.7uF 20% 50V
C310	1-127-868-11	CERAMIC	0.0022uF 10% 50V (DG600)	C603	1-104-658-11	ELECT	100uF 20% 10V
C400	1-127-868-11	CERAMIC	0.0022uF 10% 50V	C604	1-107-583-11	CERAMIC	3PF 0.25PF 500V
C403	1-127-868-11	CERAMIC	0.0022uF 10% 50V	C605	1-102-233-00	CERAMIC	33PF 10% 500V
C408	1-126-963-11	ELECT	4.7uF 20% 50V	C606	1-162-282-31	CERAMIC	100PF 10% 50V
C409	1-126-963-11	ELECT	4.7uF 20% 50V	C607	1-162-282-31	CERAMIC	100PF 10% 50V
C444	1-127-868-11	CERAMIC	0.0022uF 10% 50V	C610	1-126-947-11	ELECT	47uF 20% 35V
C445	1-127-868-11	CERAMIC	0.0022uF 10% 50V	C611	1-136-157-00	FILM	0.022uF 5% 50V
C453	1-162-286-31	CERAMIC	220PF 10% 50V	C619	1-162-286-31	CERAMIC	220PF 10% 50V
C458	1-126-963-11	ELECT	4.7uF 20% 50V	C620	1-162-815-11	CERAMIC	47PF 5% 500V
C459	1-126-963-11	ELECT	4.7uF 20% 50V	C621	1-162-815-11	CERAMIC	47PF 5% 500V
C463	1-162-286-31	CERAMIC	220PF 10% 50V	C640	1-126-964-11	ELECT	10uF 20% 50V
C464	1-127-888-11	CERAMIC	0.1uF 10% 50V	C642	1-127-876-11	CERAMIC	0.01uF 10% 50V
C468	1-162-282-31	CERAMIC	100PF 10% 50V	C651	1-126-963-11	ELECT	4.7uF 20% 50V
C469	1-162-282-31	CERAMIC	100PF 10% 50V	C653	1-165-722-11	ELECT	100uF 20% 10V
C471	1-126-963-11	ELECT	4.7uF 20% 50V	C654	1-107-583-11	CERAMIC	3PF 0.25PF 500V
C472	1-126-963-11	ELECT	4.7uF 20% 50V	C655	1-102-233-00	CERAMIC	33PF 10% 500V
C481	1-126-964-11	ELECT	10uF 20% 50V	C656	1-162-282-31	CERAMIC	100PF 10% 50V
C484	1-126-964-11	ELECT	10uF 20% 50V	C657	1-162-282-31	CERAMIC	100PF 10% 50V
C485	1-126-964-11	ELECT	10uF 20% 50V	C660	1-126-947-11	ELECT	47uF 20% 35V
C488	1-127-888-11	CERAMIC	0.1uF 10% 50V	C661	1-136-157-00	FILM	0.022uF 5% 50V
C490	1-126-964-11	ELECT	10uF 20% 50V	C666	1-162-815-11	CERAMIC	47PF 5% 500V
C492	1-126-964-11	ELECT	10uF 20% 50V	C669	1-162-815-11	CERAMIC	47PF 5% 500V
C493	1-126-964-11	ELECT	10uF 20% 50V	C670	1-162-286-31	CERAMIC	220PF 10% 50V
C495	1-126-964-11	ELECT	10uF 20% 50V	C680	1-126-964-11	ELECT	10uF 20% 50V
C497	1-126-964-11	ELECT	10uF 20% 50V (DG600)	C681	1-127-876-11	CERAMIC	0.01uF 10% 50V
C499	1-162-286-31	CERAMIC	220PF 10% 50V	C691	1-127-888-11	CERAMIC	0.1uF 10% 50V
C501	1-126-963-11	ELECT	4.7uF 20% 50V	C701	1-126-963-11	ELECT	4.7uF 20% 50V
C503	1-104-658-11	ELECT	100uF 20% 10V	C702	1-126-964-11	ELECT	10uF 20% 50V
C504	1-107-585-11	CERAMIC	5PF 0.25PF 500V	C703	1-165-722-11	ELECT	100uF 20% 10V
C505	1-102-233-00	CERAMIC	33PF 10% 500V	C704	1-107-583-11	CERAMIC	3PF 0.25PF 500V
C506	1-162-282-31	CERAMIC	100PF 10% 50V	C705	1-102-233-00	CERAMIC	33PF 10% 500V
C507	1-162-282-31	CERAMIC	100PF 10% 50V	C706	1-162-282-31	CERAMIC	100PF 10% 50V
C510	1-126-947-11	ELECT	47uF 20% 35V	C707	1-162-282-31	CERAMIC	100PF 10% 50V
C511	1-136-157-00	FILM	0.022uF 5% 50V	C710	1-126-947-11	ELECT	47uF 20% 35V
C516	1-162-815-11	CERAMIC	47PF 5% 500V	C711	1-136-157-00	FILM	0.022uF 5% 50V
C517	1-162-815-11	CERAMIC	47PF 5% 500V	C716	1-162-815-11	CERAMIC	47PF 5% 500V
C519	1-162-286-31	CERAMIC	220PF 10% 50V	C717	1-162-815-11	CERAMIC	47PF 5% 500V
C531	1-136-157-00	FILM	0.022uF 5% 50V	C720	1-162-286-31	CERAMIC	220PF 10% 50V
C539	1-162-286-31	CERAMIC	220PF 10% 50V	C721	1-126-923-11	ELECT	220uF 20% 10V
C540	1-126-964-11	ELECT	10uF 20% 50V	C722	1-126-964-11	ELECT	10uF 20% 50V
C541	1-127-876-11	CERAMIC	0.01uF 10% 50V	C732	1-128-582-11	ELECT	10uF 20% 100V
C553	1-104-658-11	ELECT	100uF 20% 10V	C733	1-128-582-11	ELECT	10uF 20% 100V
C554	1-107-585-11	CERAMIC	5PF 0.25PF 500V	C740	1-126-964-11	ELECT	10uF 20% 50V
C561	1-126-963-11	ELECT	4.7uF 20% 50V	C741	1-128-579-11	ELECT	2.2uF 20% 100V
C565	1-102-233-00	CERAMIC	33PF 10% 500V	C742	1-127-876-11	CERAMIC	0.01uF 10% 50V
C566	1-162-282-31	CERAMIC	100PF 10% 50V	C743	1-128-579-11	ELECT	2.2uF 20% 100V
				C744	1-128-579-11	ELECT	2.2uF 20% 100V
				C750	1-126-964-11	ELECT	10uF 20% 50V
				C751	1-126-963-11	ELECT	4.7uF 20% 50V
				C752	1-127-876-11	CERAMIC	0.01uF 10% 50V
				C753	1-165-722-11	ELECT	100uF 20% 10V

## STR-DG500/DG600

Ver. 1.1

MAIN

Ref. No.	Part No.	Description	Remark			Ref. No.	Part No.	Description	Remark		
C754	1-107-583-11	CERAMIC	3PF	0.25PF	500V	CC36	1-162-286-31	CERAMIC	220PF	10%	50V
C755	1-102-233-00	CERAMIC	33PF	10%	500V						(EXCEPT US,CND,E2)
C756	1-162-282-31	CERAMIC	100PF	10%	50V	CC51	1-162-282-31	CERAMIC	100PF	10%	50V
C757	1-162-282-31	CERAMIC	100PF	10%	50V						(EXCEPT US,CND,E2)
C760	1-126-947-11	ELECT	47uF	20%	35V	CC52	1-162-282-31	CERAMIC	100PF	10%	50V
											(EXCEPT US,CND,E2)
C761	1-136-157-00	FILM	0.022uF	5%	50V	CC54	1-162-282-31	CERAMIC	100PF	10%	50V
C762	1-126-964-11	ELECT	10uF	20%	50V						(EXCEPT US,CND,E2)
C766	1-162-815-11	CERAMIC	47PF	5%	500V	CC55	1-162-282-31	CERAMIC	100PF	10%	50V
C767	1-162-815-11	CERAMIC	47PF	5%	500V						(EXCEPT US,CND,E2)
C770	1-162-286-31	CERAMIC	220PF	10%	50V	CC56	1-162-282-31	CERAMIC	100PF	10%	50V
											(EXCEPT US,CND,E2)
C791	1-126-923-11	ELECT	220uF	20%	10V	CC57	1-162-282-31	CERAMIC	100PF	10%	50V
C801	1-126-947-11	ELECT	47uF	20%	35V						(EXCEPT US,CND,E2)
C802	1-126-947-11	ELECT	47uF	20%	35V	CC58	1-162-282-31	CERAMIC	100PF	10%	50V
C803	1-109-932-14	ELECT(BLOCK)	10000uF	20%	71V						(EXCEPT US,CND,E2)
C804	1-109-932-14	ELECT(BLOCK)	10000uF	20%	71V	CC59	1-162-282-31	CERAMIC	100PF	10%	50V
											(EXCEPT US,CND,E2)
C805	1-135-851-21	MYLAR	0.22uF		100V						
C806	1-135-851-21	MYLAR	0.22uF		100V						
C807	1-126-947-11	ELECT	47uF	20%	35V						< CONNECTOR >
C808	1-126-947-11	ELECT	47uF	20%	35V	CN504	1-784-766-11	CONNECTOR, FFC 5P (DG600:US,CND)			
C809	1-127-888-11	CERAMIC	0.1uF	10%	50V	CNP500	1-766-715-21	CONNECTOR, BOARD TO BOARD 10P			
						CNP501	1-573-847-11	CONNECTOR, BOARD TO BOARD 15P			
C810	1-127-888-11	CERAMIC	0.1uF	10%	50V	CNP503	1-779-978-11	PIN, CONNECTOR 3P			
C811	1-127-888-11	CERAMIC	0.1uF	10%	50V	* CNP801	1-564-104-00	PIN, CONNECTOR (3.96mm PITCH) 3P			
C822	1-126-947-11	ELECT	47uF	20%	35V						
C830	1-127-888-11	CERAMIC	0.1uF	10%	50V	CNP802	1-691-767-11	PLUG (MICRO CONNECTOR) 5P			
C831	1-127-888-11	CERAMIC	0.1uF	10%	50V	CNP805	1-564-705-11	PIN, CONNECTOR (SMALL TYPE) 3P			(DG600:US,CND)
C832	1-126-936-11	ELECT	3300uF	20%	16V	CNP806	1-779-978-11	PIN, CONNECTOR 3P			
CC01	1-162-282-31	CERAMIC	100PF	10%	50V	CNP911	1-779-977-11	PIN, CONNECTOR 6P			
						CNP912	1-691-766-11	PLUG (MICRO CONNECTOR) 4P			
CC02	1-162-282-31	CERAMIC	100PF	10%	50V						
						CNP913	1-784-922-11	PIN, CONNECTOR 5P			
CC04	1-162-282-31	CERAMIC	100PF	10%	50V						< DIODE >
CC05	1-162-282-31	CERAMIC	100PF	10%	50V	D505	8-719-991-33	DIODE 1SS133T-77			
						D540	8-719-991-33	DIODE 1SS133T-77			
CC06	1-162-282-31	CERAMIC	100PF	10%	50V	D560	8-719-991-33	DIODE 1SS133T-77			
						D580	8-719-991-33	DIODE 1SS133T-77			
CC07	1-162-282-31	CERAMIC	100PF	10%	50V	D585	8-719-991-33	DIODE 1SS133T-77			
CC08	1-162-282-31	CERAMIC	100PF	10%	50V	D605	8-719-991-33	DIODE 1SS133T-77			
						D610	8-719-991-33	DIODE 1SS133T-77			
CC09	1-162-282-31	CERAMIC	100PF	10%	50V	D640	8-719-991-33	DIODE 1SS133T-77			
						D665	8-719-991-33	DIODE 1SS133T-77			
CC11	1-127-876-11	CERAMIC	0.01uF	10%	50V	D680	8-719-991-33	DIODE 1SS133T-77			
CC13	1-127-876-11	CERAMIC	0.01uF	10%	50V	D690	8-719-934-21	DIODE HZS30-1L			
						D691	8-719-991-33	DIODE 1SS133T-77			
CC15	1-127-876-11	CERAMIC	0.01uF	10%	50V	D692	8-719-991-33	DIODE 1SS133T-77			
						D693	8-719-986-54	DIODE HZS24-1LTA			
CC17	1-127-876-11	CERAMIC	0.01uF	10%	50V	D705	8-719-991-33	DIODE 1SS133T-77			
CC31	1-162-286-31	CERAMIC	220PF	10%	50V	D710	8-719-991-33	DIODE 1SS133T-77			
						D721	8-719-991-33	DIODE 1SS133T-77			
CC32	1-162-286-31	CERAMIC	220PF	10%	50V	D722	8-719-991-33	DIODE 1SS133T-77			
						D732	8-719-991-33	DIODE 1SS133T-77			
CC33	1-162-286-31	CERAMIC	220PF	10%	50V	D740	8-719-991-33	DIODE 1SS133T-77			
CC34	1-162-286-31	CERAMIC	220PF	10%	50V	D750	8-719-991-33	DIODE 1SS133T-77			
						D765	8-719-991-33	DIODE 1SS133T-77			
CC35	1-162-286-31	CERAMIC	220PF	10%	50V	D791	8-719-991-33	DIODE 1SS133T-77			
						D801	8-719-933-95	DIODE HZS20-1L			
						D802	8-719-072-05	DIODE RBV-602LF-A			

Ref. No.	Part No.	Description	Remark	Ref. No.	Part No.	Description	Remark
D804	8-719-068-28	DIODE HZ6.8BP-TK		Q655	8-729-042-09	TRANSISTOR 2SA1038S-RSE-TP	
D805	6-500-522-11	DIODE 10EDB40-TA2B5		Q656	8-729-042-09	TRANSISTOR 2SA1038S-RSE-TP	
D806	6-500-522-11	DIODE 10EDB40-TA2B5		Q680	8-729-281-53	TRANSISTOR 2SC1815-GR	
D807	6-500-522-11	DIODE 10EDB40-TA2B5		Q691	8-729-281-53	TRANSISTOR 2SC1815-GR	
D808	6-500-522-11	DIODE 10EDB40-TA2B5		Q692	8-729-029-40	TRANSISTOR DTA124ESA	
D896	8-719-043-76	DIODE AK04V0		Q693	8-729-281-53	TRANSISTOR 2SC1815-GR	
		< IC >		Q694	8-729-281-53	TRANSISTOR 2SC1815-GR	
IC401	6-707-362-01	IC BD3451KS		Q695	8-729-119-76	TRANSISTOR 2SA1175-HFE	
IC402	8-759-167-88	IC NJM4565D		Q701	8-729-119-76	TRANSISTOR 2SA1175-HFE	
IC501	6-700-943-01	IC uPC2581V-S		Q702	8-729-141-30	TRANSISTOR 2SC3623A-LK	
IC601	6-700-943-01	IC uPC2581V-S		Q705	8-729-042-09	TRANSISTOR 2SA1038S-RSE-TP	
IC691	8-759-167-88	IC NJM4565D		Q706	8-729-042-09	TRANSISTOR 2SA1038S-RSE-TP	
IC701	6-700-943-01	IC uPC2581V-S		Q710	8-729-119-78	TRANSISTOR 2SC2785-HFE	
IC801	8-759-071-48	IC TA7807S		Q722	8-729-140-84	TRANSISTOR 2SC1841-PAFAEA	
IC802	8-759-071-47	IC TA79007S		Q723	8-729-119-78	TRANSISTOR 2SC2785-HFE	
		< JACK >		Q725	8-729-042-09	TRANSISTOR 2SA1038S-RSE-TP	
J309	1-770-377-21	JACK, PIN 1P (SUB WOOFER AUDIO OUT) (DG500)		Q740	8-729-281-53	TRANSISTOR 2SC1815-GR	
J309	1-770-377-21	JACK, PIN 1P (PRE OUT SUB WOOFER) (DG600)		Q750	8-729-281-53	TRANSISTOR 2SC1815-GR	
J310	1-815-045-11	JACK, PIN 2P (PRE OUT SURROUND) (DG600)		Q751	8-729-119-76	TRANSISTOR 2SA1175-HFE	
J400	1-774-411-11	JACK, PIN 6P (MD/TAPE OUT,SA-CD/CD IN, AUX IN) (DG600)		Q752	8-729-141-30	TRANSISTOR 2SC3623A-LK	
J401	1-793-775-12	JACK, PIN 6P (MULTI CH IN CENTER,SUB WOOFER,SURROUND,FRONT)		Q755	8-729-042-09	TRANSISTOR 2SA1038S-RSE-TP	
J402	1-770-614-11	JACK, PIN 4P (MD/TAPE OUT,SA-CD/CD IN) (DG500)		Q756	8-729-042-09	TRANSISTOR 2SA1038S-RSE-TP	
J403	1-770-614-11	JACK, PIN 4P (DVD AUDIO IN,MD/TAPE IN)		Q790	8-729-119-78	TRANSISTOR 2SC2785-HFE	
J404	1-774-411-11	JACK, PIN 6P (VIDEO 1 AUDIO IN/OUT, VIDEO 2 AUDIO IN)		Q793	8-729-119-78	TRANSISTOR 2SC2785-HFE	
		< COIL >		Q795	8-729-042-09	TRANSISTOR 2SA1038S-RSE-TP	
L601	1-420-872-52	COIL, AIR-CORE		Q801	8-729-140-97	TRANSISTOR 2SB734-34	
L651	1-420-872-52	COIL, AIR-CORE				< RESISTOR >	
L701	1-420-872-52	COIL, AIR-CORE		R310	1-249-431-11	CARBON 15K 5%	1/4W (DG600)
L751	1-420-872-52	COIL, AIR-CORE		R311	1-249-414-11	CARBON 560 5%	1/4W (DG600)
		< TRANSISTOR >		R320	1-249-431-11	CARBON 15K 5%	1/4W (DG600)
Q501	8-729-119-76	TRANSISTOR 2SA1175-HFE		R321	1-249-414-11	CARBON 560 5%	1/4W (DG600)
Q502	8-729-141-30	TRANSISTOR 2SC3623A-LK		R401	1-247-831-11	CARBON 1K 5%	1/4W (DG600)
Q505	8-729-042-09	TRANSISTOR 2SA1038S-RSE-TP		R402	1-247-831-11	CARBON 1K 5%	1/4W
Q506	8-729-042-09	TRANSISTOR 2SA1038S-RSE-TP		R404	1-247-831-11	CARBON 1K 5%	1/4W
Q535	8-729-042-09	TRANSISTOR 2SA1038S-RSE-TP		R405	1-247-831-11	CARBON 1K 5%	1/4W
Q535	8-729-042-09	TRANSISTOR 2SA1038S-RSE-TP		R406	1-247-831-11	CARBON 1K 5%	1/4W
Q536	8-729-042-09	TRANSISTOR 2SA1038S-RSE-TP		R407	1-247-831-11	CARBON 1K 5%	1/4W
Q540	8-729-281-53	TRANSISTOR 2SC1815-GR		R408	1-247-831-11	CARBON 1K 5%	1/4W
Q560	8-729-119-78	TRANSISTOR 2SC2785-HFE		R409	1-247-831-11	CARBON 1K 5%	1/4W
Q571	8-729-119-76	TRANSISTOR 2SA1175-HFE		R428	1-247-831-11	CARBON 1K 5%	1/4W
Q572	8-729-141-30	TRANSISTOR 2SC3623A-LK		R429	1-247-831-11	CARBON 1K 5%	1/4W
Q580	8-729-281-53	TRANSISTOR 2SC1815-GR		R431	1-247-831-11	CARBON 1K 5%	1/4W
Q601	8-729-119-76	TRANSISTOR 2SA1175-HFE		R432	1-247-831-11	CARBON 1K 5%	1/4W
Q602	8-729-141-30	TRANSISTOR 2SC3623A-LK		R433	1-247-831-11	CARBON 1K 5%	1/4W
Q605	8-729-042-09	TRANSISTOR 2SA1038S-RSE-TP		R434	1-247-831-11	CARBON 1K 5%	1/4W
Q606	8-729-042-09	TRANSISTOR 2SA1038S-RSE-TP		R435	1-247-831-11	CARBON 1K 5%	1/4W
Q610	8-729-119-78	TRANSISTOR 2SC2785-HFE		R436	1-247-831-11	CARBON 1K 5%	1/4W
Q640	8-729-281-53	TRANSISTOR 2SC1815-GR		R451	1-247-831-11	CARBON 1K 5%	1/4W (DG600)
Q651	8-729-119-76	TRANSISTOR 2SA1175-HFE		R452	1-247-831-11	CARBON 1K 5%	1/4W
Q652	8-729-141-30	TRANSISTOR 2SC3623A-LK		R454	1-247-831-11	CARBON 1K 5%	1/4W
				R455	1-247-831-11	CARBON 1K 5%	1/4W
				R456	1-247-831-11	CARBON 1K 5%	1/4W

# STR-DG500/DG600

Ver. 1.1

**MAIN**

Ref. No.	Part No.	Description	Remark	Ref. No.	Part No.	Description	Remark
R457	1-247-831-11	CARBON	1K 5% 1/4W	R580	1-247-863-11	CARBON	22K 5% 1/4W
R458	1-247-831-11	CARBON	1K 5% 1/4W	R585	1-247-847-11	CARBON	4.7K 5% 1/4W
R459	1-247-831-11	CARBON	1K 5% 1/4W				(DG500)
R468	1-247-879-11	CARBON	100K 5% 1/4W	R585	1-247-871-11	CARBON	47K 5% 1/4W
R469	1-247-831-11	CARBON	1K 5% 1/4W				(DG600)
				R586	1-247-863-11	CARBON	22K 5% 1/4W
R470	1-247-871-11	CARBON	47K 5% 1/4W				(DG600)
R473	1-249-429-11	CARBON	10K 5% 1/4W	R586	1-247-871-11	CARBON	47K 5% 1/4W
R474	1-249-429-11	CARBON	10K 5% 1/4W				(DG500)
R475	1-249-429-11	CARBON	10K 5% 1/4W				
R476	1-249-429-11	CARBON	10K 5% 1/4W				
				R587	1-249-431-11	CARBON	15K 5% 1/4W
R480	1-247-871-11	CARBON	47K 5% 1/4W	R588	1-249-431-11	CARBON	15K 5% 1/4W
R499	1-247-871-11	CARBON	47K 5% 1/4W	R601	1-247-831-11	CARBON	1K 5% 1/4W
R501	1-247-831-11	CARBON	1K 5% 1/4W	R602	1-249-439-11	CARBON	68K 5% 1/4W
R502	1-249-439-11	CARBON	68K 5% 1/4W	R603	1-249-421-11	CARBON	2.2K 5% 1/4W
R503	1-249-421-11	CARBON	2.2K 5% 1/4W				
				R604	1-249-439-11	CARBON	68K 5% 1/4W
R505	1-249-439-11	CARBON	68K 5% 1/4W	R610	1-249-421-11	CARBON	2.2K 5% 1/4W
R510	1-249-421-11	CARBON	2.2K 5% 1/4W	R611	1-249-440-11	CARBON	82K 5% 1/4W
R511	1-249-440-11	CARBON	82K 5% 1/4W	R613	1-249-414-11	CARBON	560 5% 1/4W
R513	1-249-414-11	CARBON	560 5% 1/4W	R614	1-249-399-11	CARBON	33 5% 1/4W F
R514	1-249-399-11	CARBON	33 5% 1/4W F				
				R615	1-249-399-11	CARBON	33 5% 1/4W F
R515	1-249-399-11	CARBON	33 5% 1/4W F	R616	1-234-182-11	ENCAPSULATED COMPONENT	0.22X2 5W
R516	1-234-182-11	ENCAPSULATED COMPONENT	0.22X2 5W	R617	1-249-393-11	CARBON	10 5% 1/4W F
R517	1-249-393-11	CARBON	10 5% 1/4W F	R618	1-249-389-11	CARBON	4.7 5% 1/4W F
R520	1-247-847-11	CARBON	4.7K 5% 1/4W	R620	1-247-847-11	CARBON	4.7K 5% 1/4W
R521	1-240-855-81	CARBON	6.2K 5% 1/4W F				
				R621	1-240-855-81	CARBON	6.2K 5% 1/4W F
R522	1-249-419-11	CARBON	1.5K 5% 1/4W	R622	1-249-419-11	CARBON	1.5K 5% 1/4W
R523	1-247-871-11	CARBON	47K 5% 1/4W	R623	1-247-871-11	CARBON	47K 5% 1/4W
R524	1-249-431-11	CARBON	15K 5% 1/4W	R624	1-249-431-11	CARBON	15K 5% 1/4W
R525	1-249-439-11	CARBON	68K 5% 1/4W	R625	1-249-439-11	CARBON	68K 5% 1/4W
R526	1-234-182-11	ENCAPSULATED COMPONENT	0.22X2 5W				
				R631	1-249-421-11	CARBON	2.2K 5% 1/4W
R530	1-247-847-11	CARBON	4.7K 5% 1/4W	R634	1-249-404-00	CARBON	82 5% 1/4W F
R531	1-240-855-81	CARBON	6.2K 5% 1/4W F	R638	1-249-439-11	CARBON	68K 5% 1/4W
R532	1-249-429-11	CARBON	10K 5% 1/4W	R640	1-247-863-11	CARBON	22K 5% 1/4W
R533	1-247-871-11	CARBON	47K 5% 1/4W	R648	1-249-431-11	CARBON	15K 5% 1/4W
R534	1-249-431-11	CARBON	15K 5% 1/4W				
				R651	1-247-831-11	CARBON	1K 5% 1/4W
R535	1-249-439-11	CARBON	68K 5% 1/4W	R652	1-249-439-11	CARBON	68K 5% 1/4W
R537	1-249-393-11	CARBON	10 5% 1/4W F	R653	1-249-421-11	CARBON	2.2K 5% 1/4W
R540	1-247-863-11	CARBON	22K 5% 1/4W	R654	1-249-439-11	CARBON	68K 5% 1/4W
R546	1-249-431-11	CARBON	15K 5% 1/4W	R655	1-247-847-11	CARBON	4.7K 5% 1/4W
R553	1-249-421-11	CARBON	2.2K 5% 1/4W				(DG500)
				R655	1-247-871-11	CARBON	47K 5% 1/4W
R554	1-249-439-11	CARBON	68K 5% 1/4W				(DG600)
R555	1-247-847-11	CARBON	4.7K 5% 1/4W	R656	1-247-863-11	CARBON	22K 5% 1/4W
							(DG500)
R555	1-247-871-11	CARBON	47K 5% 1/4W	R656	1-247-871-11	CARBON	47K 5% 1/4W
							(DG600)
R556	1-247-863-11	CARBON	22K 5% 1/4W				(DG500)
				R657	1-249-431-11	CARBON	15K 5% 1/4W
R556	1-247-871-11	CARBON	47K 5% 1/4W	R660	1-249-421-11	CARBON	2.2K 5% 1/4W
							(DG500)
				R661	1-249-440-11	CARBON	82K 5% 1/4W
R557	1-249-431-11	CARBON	15K 5% 1/4W	R663	1-249-414-11	CARBON	560 5% 1/4W
R561	1-247-831-11	CARBON	1K 5% 1/4W	R664	1-249-399-11	CARBON	33 5% 1/4W F
R562	1-249-439-11	CARBON	68K 5% 1/4W	R665	1-249-399-11	CARBON	33 5% 1/4W F
R570	1-249-421-11	CARBON	2.2K 5% 1/4W	R666	1-234-182-11	ENCAPSULATED COMPONENT	0.22X2 5W
R571	1-249-440-11	CARBON	82K 5% 1/4W				
				R667	1-249-393-11	CARBON	10 5% 1/4W F
R572	1-249-419-11	CARBON	1.5K 5% 1/4W	R668	1-249-389-11	CARBON	4.7 5% 1/4W F
R573	1-247-871-11	CARBON	47K 5% 1/4W	R669	1-247-847-11	CARBON	4.7K 5% 1/4W
R574	1-249-399-11	CARBON	33 5% 1/4W F	R671	1-240-855-81	CARBON	6.2K 5% 1/4W F
R575	1-249-399-11	CARBON	33 5% 1/4W F	R672	1-249-419-11	CARBON	1.5K 5% 1/4W
R576	1-249-414-11	CARBON	560 5% 1/4W				
				R673	1-247-871-11	CARBON	47K 5% 1/4W

Ref. No.	Part No.	Description	Remark	Ref. No.	Part No.	Description	Remark
R674	1-249-431-11	CARBON	15K 5% 1/4W	R746	1-247-863-11	CARBON	22K 5% 1/4W
R675	1-247-847-11	CARBON	4.7K 5% 1/4W				(DG600)
				R746	1-247-871-11	CARBON	47K 5% 1/4W
R675	1-247-871-11	CARBON	47K 5% 1/4W				(DG500)
R676	1-247-863-11	CARBON	22K 5% 1/4W	R747	1-249-431-11	CARBON	15K 5% 1/4W
				R748	1-249-431-11	CARBON	15K 5% 1/4W
R676	1-247-871-11	CARBON	47K 5% 1/4W	R750	1-247-863-11	CARBON	22K 5% 1/4W
R677	1-249-431-11	CARBON	15K 5% 1/4W	R751	1-247-831-11	CARBON	1K 5% 1/4W
R680	1-247-863-11	CARBON	22K 5% 1/4W	R752	1-249-439-11	CARBON	68K 5% 1/4W
R681	1-249-431-11	CARBON	15K 5% 1/4W	R753	1-249-421-11	CARBON	2.2K 5% 1/4W
R689	1-249-429-11	CARBON	10K 5% 1/4W	R754	1-249-439-11	CARBON	68K 5% 1/4W
R690	1-247-887-00	CARBON	220K 5% 1/4W	R755	1-247-847-11	CARBON	4.7K 5% 1/4W
							(DG500)
△R691	1-215-888-00	METAL OXIDE	220 5% 2W F	R755	1-247-871-11	CARBON	47K 5% 1/4W
△R692	1-215-889-00	METAL OXIDE	330 5% 2W F				(DG600)
R693	1-249-429-11	CARBON	10K 5% 1/4W	R756	1-247-863-11	CARBON	22K 5% 1/4W
R694	1-249-429-11	CARBON	10K 5% 1/4W				(DG600)
R695	1-249-429-11	CARBON	10K 5% 1/4W	R756	1-247-871-11	CARBON	47K 5% 1/4W
							(DG500)
R696	1-247-871-11	CARBON	47K 5% 1/4W	R757	1-249-431-11	CARBON	15K 5% 1/4W
R697	1-247-871-11	CARBON	47K 5% 1/4W	R758	1-249-431-11	CARBON	15K 5% 1/4W
R698	1-249-429-11	CARBON	10K 5% 1/4W				
R699	1-247-895-00	CARBON	470K 5% 1/4W	R760	1-249-421-11	CARBON	2.2K 5% 1/4W
R700	1-249-429-11	CARBON	10K 5% 1/4W	R761	1-249-440-11	CARBON	82K 5% 1/4W
				R763	1-249-414-11	CARBON	560 5% 1/4W
R701	1-247-831-11	CARBON	1K 5% 1/4W	R764	1-249-399-11	CARBON	33 5% 1/4W F
R702	1-249-439-11	CARBON	68K 5% 1/4W	R765	1-249-399-11	CARBON	33 5% 1/4W F
R703	1-249-421-11	CARBON	2.2K 5% 1/4W				
R704	1-249-439-11	CARBON	68K 5% 1/4W	R766	1-234-182-11	ENCAPSULATED COMPONENT	0.22X2 5W
R705	1-247-895-00	CARBON	470K 5% 1/4W	R767	1-249-393-11	CARBON	10 5% 1/4W F
				R768	1-249-389-11	CARBON	4.7 5% 1/4W F
△R706	1-215-888-00	METAL OXIDE	220 5% 2W F	R769	1-247-847-11	CARBON	4.7K 5% 1/4W
R710	1-249-421-11	CARBON	2.2K 5% 1/4W	R771	1-240-855-81	CARBON	6.2K 5% 1/4W F
R711	1-249-440-11	CARBON	82K 5% 1/4W				
R713	1-249-414-11	CARBON	560 5% 1/4W	R772	1-249-419-11	CARBON	1.5K 5% 1/4W
R714	1-249-399-11	CARBON	33 5% 1/4W F	R773	1-247-871-11	CARBON	47K 5% 1/4W
				R775	1-249-439-11	CARBON	68K 5% 1/4W
R715	1-249-399-11	CARBON	33 5% 1/4W F	R778	1-249-431-11	CARBON	15K 5% 1/4W
R716	1-234-182-11	ENCAPSULATED COMPONENT	0.22X2 5W	R780	1-249-429-11	CARBON	10K 5% 1/4W
R717	1-249-393-11	CARBON	10 5% 1/4W F				
R718	1-249-389-11	CARBON	4.7 5% 1/4W F	R791	1-249-421-11	CARBON	2.2K 5% 1/4W
R719	1-247-847-11	CARBON	4.7K 5% 1/4W	△R792	1-215-868-00	METAL OXIDE	680 5% 1W F
				R793	1-249-404-00	CARBON	82 5% 1/4W F
R721	1-240-855-81	CARBON	6.2K 5% 1/4W F	△R794	1-215-868-00	METAL OXIDE	680 5% 1W F
R722	1-249-419-11	CARBON	1.5K 5% 1/4W	R802	1-249-409-11	CARBON	220 5% 1/4W F
R723	1-247-871-11	CARBON	47K 5% 1/4W				
R724	1-249-431-11	CARBON	15K 5% 1/4W	R803	1-249-389-11	CARBON	4.7 5% 1/4W F
R725	1-249-439-11	CARBON	68K 5% 1/4W	R804	1-249-429-11	CARBON	10K 5% 1/4W
				R806	1-247-863-11	CARBON	22K 5% 1/4W
R731	1-249-421-11	CARBON	2.2K 5% 1/4W	△R910	1-240-877-11	FUSIBLE	0.15 5% 1/2W F
R732	1-249-381-11	CARBON	1 5% 1/4W F	RR11	1-249-393-11	CARBON	10 5% 1/4W F
R733	1-249-381-11	CARBON	1 5% 1/4W F				(EXCEPT US,CND,E2)
R734	1-249-404-00	CARBON	82 5% 1/4W F	RR12	1-249-393-11	CARBON	10 5% 1/4W F
R735	1-249-427-11	CARBON	6.8K 5% 1/4W				(EXCEPT US,CND,E2)
				RR13	1-249-393-11	CARBON	10 5% 1/4W F
R736	1-247-831-11	CARBON	1K 5% 1/4W				(EXCEPT US,CND,E2)
R737	1-249-436-11	CARBON	39K 5% 1/4W	RR14	1-249-393-11	CARBON	10 5% 1/4W F
R740	1-247-863-11	CARBON	22K 5% 1/4W				(EXCEPT US,CND,E2)
R741	1-249-431-11	CARBON	15K 5% 1/4W				
R743	1-249-431-11	CARBON	15K 5% 1/4W				< RELAY >
				RY560	1-755-267-11	RELAY	
R744	1-249-431-11	CARBON	15K 5% 1/4W	RY601	1-755-170-11	RELAY (12V)	
R745	1-247-847-11	CARBON	4.7K 5% 1/4W	RY701	1-755-170-11	RELAY (12V)	
				RY791	1-755-170-11	RELAY (12V)	
R745	1-247-871-11	CARBON	47K 5% 1/4W				(DG600)

# STR-DG500/DG600

Ver. 1.1

**MAIN** **OPT3** **POWER** **S VIDEO UP CONVERT**

Ref. No.	Part No.	Description	Remark
		< TERMINAL BOARD >	
TM601	1-780-364-11	TERMINAL BOARD (8P) (SPEAKERS SURROUND,FRONT A)	
*****			
		OPT3 BOARD (DG600)	
*****			
		< CAPACITOR >	
C290	1-127-888-11	CERAMIC 0.1uF 10% 50V	
		< CONNECTOR >	
CN202	1-779-978-21	PIN, CONNECTOR 3P	
		< IC >	
IC200	6-600-057-01	IC TORX141PL (VIDEO 3 IN/PORTABLE AV IN DIGITAL(OPT))	
		< COIL >	
L290	1-410-517-11	INDUCTOR 47uH	
		< RESISTOR >	
R290	1-247-807-31	CARBON 100 5% 1/4W	
*****			
		POWER BOARD	
*****			
		< RESISTOR >	
R114	1-247-831-11	CARBON 1K 5% 1/4W	
		< SWITCH >	
S100	1-771-410-21	SWITCH, TACTILE (I/C)	
S115	1-771-410-21	SWITCH, TACTILE (SPEAKERS (OFF/A/B/A+B))	
*****			
	A-1157-412-A	S VIDEO UP CONVERT BOARD, COMPLETE (DG600:US,CND)	
	A-1157-512-A	S VIDEO UP CONVERT BOARD, COMPLETE (DG600:E2,MY,SP,TH)	
*****			
		< CAPACITOR >	
C301	1-126-947-11	ELECT 47uF 20% 35V (DG600:E2,MY,SP,TH)	
C302	1-127-888-11	CERAMIC 0.1uF 10% 50V (DG600:E2,MY,SP,TH)	
C321	1-127-888-11	CERAMIC 0.1uF 10% 50V	
C322	1-127-876-11	CERAMIC 0.01uF 10% 50V	
C323	1-127-876-11	CERAMIC 0.01uF 10% 50V	
C324	1-128-812-11	CERAMIC 180PF 5% 50V	
C325	1-127-888-11	CERAMIC 0.1uF 10% 50V	
C326	1-104-658-11	ELECT 100uF 20% 10V	
C327	1-127-876-11	CERAMIC 0.01uF 10% 50V	
C328	1-127-876-11	CERAMIC 0.01uF 10% 50V	
C329	1-104-658-11	ELECT 100uF 20% 10V	
C332	1-126-959-11	ELECT 0.47uF 20% 50V	
C333	1-127-876-11	CERAMIC 0.01uF 10% 50V	

Ref. No.	Part No.	Description	Remark
C334	1-127-876-11	CERAMIC 0.01uF 10% 50V	
C335	1-127-876-11	CERAMIC 0.01uF 10% 50V	
C336	1-127-876-11	CERAMIC 0.01uF 10% 50V	
C337	1-127-888-11	CERAMIC 0.1uF 10% 50V	
C339	1-162-201-31	CERAMIC 12PF 5% 50V	
C350	1-128-816-11	CERAMIC 390PF 5% 50V (DG600:E2,MY,SP,TH)	
C351	1-126-947-11	ELECT 47uF 20% 35V (DG600:E2,MY,SP,TH)	
C352	1-127-888-11	CERAMIC 0.1uF 10% 50V (DG600:E2,MY,SP,TH)	
C353	1-162-203-31	CERAMIC 15PF 5% 50V (DG600:E2,MY,SP,TH)	
C354	1-126-961-11	ELECT 2.2uF 20% 50V (DG600:E2,MY,SP,TH)	
C355	1-127-876-11	CERAMIC 0.01uF 10% 50V (DG600:E2,MY,SP,TH)	
C356	1-126-963-11	ELECT 4.7uF 20% 50V (DG600:E2,MY,SP,TH)	
C357	1-127-876-11	CERAMIC 0.01uF 10% 50V (DG600:E2,MY,SP,TH)	
C358	1-128-806-11	CERAMIC 56PF 5% 50V (DG600:E2,MY,SP,TH)	
C359	1-126-964-11	ELECT 10uF 20% 50V (DG600:E2,MY,SP,TH)	
C360	1-128-818-11	CERAMIC 560PF 5% 50V (DG600:E2,MY,SP,TH)	
C362	1-126-925-11	ELECT 470uF 20% 10V	
C363	1-128-801-11	CERAMIC 22PF 5% 50V	
C364	1-162-201-31	CERAMIC 12PF 5% 50V	
C365	1-126-947-11	ELECT 47uF 20% 35V	
C366	1-127-888-11	CERAMIC 0.1uF 10% 50V	
C368	1-126-963-11	ELECT 4.7uF 20% 50V	
C369	1-130-495-00	MYLAR 0.1uF 5% 50V	
C370	1-127-888-11	CERAMIC 0.1uF 10% 50V	
C371	1-128-801-11	CERAMIC 22PF 5% 50V	
C372	1-162-201-31	CERAMIC 12PF 5% 50V	
C373	1-128-801-11	CERAMIC 22PF 5% 50V	
C374	1-126-925-11	ELECT 470uF 20% 10V	
C375	1-126-965-11	ELECT 22uF 20% 50V	
C376	1-126-947-11	ELECT 47uF 20% 35V	
C377	1-127-888-11	CERAMIC 0.1uF 10% 50V	
C378	1-127-888-11	CERAMIC 0.1uF 10% 50V	
C380	1-127-876-11	CERAMIC 0.01uF 10% 50V	
C381	1-104-658-11	ELECT 100uF 20% 10V	
C383	1-104-658-11	ELECT 100uF 20% 10V	
C390	1-128-816-11	CERAMIC 390PF 5% 50V	
C391	1-126-947-11	ELECT 47uF 20% 35V	
C392	1-127-888-11	CERAMIC 0.1uF 10% 50V	
C393	1-162-203-31	CERAMIC 15PF 5% 50V	
C394	1-126-961-11	ELECT 2.2uF 20% 50V	
C395	1-127-876-11	CERAMIC 0.01uF 10% 50V	
C396	1-126-963-11	ELECT 4.7uF 20% 50V	
C397	1-127-876-11	CERAMIC 0.01uF 10% 50V	
C398	1-128-806-11	CERAMIC 56PF 5% 50V	
C399	1-126-964-11	ELECT 10uF 20% 50V	
C460	1-128-818-11	CERAMIC 560PF 5% 50V	

Ref. No.	Part No.	Description	Remark	Ref. No.	Part No.	Description	Remark
		< CONNECTOR >		R376	1-247-831-11	CARBON 1K 5%	1/4W
CNS351	1-568-442-11	SOCKET, CONNECTOR 9P		R377	1-249-416-11	CARBON 820 5%	1/4W
		< FERRITE BEAD >		R378	1-249-416-11	CARBON 820 5%	1/4W
FB353	1-412-911-11	INDUCTOR, FERRITE BEAD		R379	1-249-416-11	CARBON 820 5%	1/4W
FB354	1-412-911-11	INDUCTOR, FERRITE BEAD		R382	1-249-418-11	CARBON 1.2K 5%	1/4W
		< IC >		R383	1-249-420-11	CARBON 1.8K 5%	1/4W
IC370	6-701-597-01	IC TC90A69NG		R384	1-249-424-11	CARBON 3.9K 5%	1/4W
IC372	6-803-031-01	IC NJM2268D		R385	1-249-416-11	CARBON 820 5%	1/4W
IC373	8-759-232-01	IC TC74HC00AP (DG600:E2,MY,SP,TH)		R386	1-249-429-11	CARBON 10K 5%	1/4W
IC374	8-759-826-19	IC MM1093NF (DG600:E2,MY,SP,TH)		R387	1-249-429-11	CARBON 10K 5%	1/4W
IC375	8-759-826-19	IC MM1093NF		R388	1-249-412-11	CARBON 390 5%	1/4W
		< COIL >		R389	1-249-412-11	CARBON 390 5%	1/4W
L355	1-410-515-11	INDUCTOR 33uH (DG600:E2,MY,SP,TH)		R390	1-247-903-00	CARBON 1M 5%	1/4W
L370	1-410-514-11	INDUCTOR 27uH		R391	1-249-431-11	CARBON 15K 5%	1/4W
L371	1-410-514-11	INDUCTOR 27uH		R392	1-247-847-11	CARBON 4.7K 5%	1/4W (DG600:E2,MY,SP,TH)
L372	1-414-189-31	INDUCTOR 100uH		R392	1-249-426-11	CARBON 5.6K 5%	1/4W (DG600:US,CND)
L373	1-414-189-31	INDUCTOR 100uH		R393	1-249-430-11	CARBON 12K 5%	1/4W
L374	1-410-514-11	INDUCTOR 27uH		R394	1-249-430-11	CARBON 12K 5%	1/4W
L376	1-414-189-31	INDUCTOR 100uH				< VIBRATOR >	
L377	1-414-189-31	INDUCTOR 100uH		X371	1-781-342-21	OSCILLATOR, CRYSTAL (3.57MHz) (DG600:E2,MY,SP,TH)	
L385	1-410-513-11	INDUCTOR 22uH (DG600:E2,MY,SP,TH)		X372	1-781-134-21	VIBRATOR, CRYSTAL (4.43MHz) (DG600:E2,MY,SP,TH)	
L385	1-410-515-11	INDUCTOR 33uH (DG600:US,CND)		X372	1-781-342-21	OSCILLATOR, CRYSTAL (3.57MHz) (DG600:US,CND)	
		< TRANSISTOR >				*****	
Q371	8-729-119-78	TRANSISTOR 2SC2785-HFE				SB AMP BOARD (DG600)	
Q372	8-729-119-78	TRANSISTOR 2SC2785-HFE				*****	
Q373	8-729-119-78	TRANSISTOR 2SC2785-HFE				< CAPACITOR >	
		< RESISTOR >		C2561	1-126-963-11	ELECT 4.7uF 20%	50V
R356	1-249-429-11	CARBON 10K 5% 1/4W (DG600:E2,MY,SP,TH)		C2562	1-162-282-31	CERAMIC 100PF 10%	50V
R357	1-249-429-11	CARBON 10K 5% 1/4W (DG600:E2,MY,SP,TH)		C2563	1-102-978-00	CERAMIC 220PF 5%	50V
R358	1-249-412-11	CARBON 390 5% 1/4W (DG600:E2,MY,SP,TH)		C2564	1-107-616-11	CERAMIC 150PF 5%	500V
R359	1-249-412-11	CARBON 390 5% 1/4W (DG600:E2,MY,SP,TH)		C2565	1-107-583-11	CERAMIC 3PF 0.25PF	500V
R360	1-247-903-00	CARBON 1M 5% 1/4W (DG600:E2,MY,SP,TH)		C2566	1-104-658-11	ELECT 100uF 20%	10V
R361	1-249-431-11	CARBON 15K 5% 1/4W (DG600:E2,MY,SP,TH)		C2571	1-126-947-11	ELECT 47uF 20%	35V
R362	1-249-426-11	CARBON 5.6K 5% 1/4W (DG600:E2,MY,SP,TH)		C2573	1-162-815-11	CERAMIC 47PF 5%	500V
R363	1-247-903-00	CARBON 1M 5% 1/4W		C2575	1-162-815-11	CERAMIC 47PF 5%	500V
R365	1-247-807-31	CARBON 100 5% 1/4W		C2576	1-127-876-11	CERAMIC 0.01uF 10%	50V
R366	1-247-807-31	CARBON 100 5% 1/4W		C2577	1-126-964-11	ELECT 10uF 20%	50V
R367	1-249-429-11	CARBON 10K 5% 1/4W		C2578	1-162-286-31	CERAMIC 220PF 10%	50V
R368	1-247-843-11	CARBON 3.3K 5% 1/4W		C2581	1-136-157-00	FILM 0.022uF 5%	50V
R369	1-247-843-11	CARBON 3.3K 5% 1/4W				< CONNECTOR >	
R370	1-247-807-31	CARBON 100 5% 1/4W (DG600:E2,MY,SP,TH)		CN2570	1-785-103-11	PIN, CONNECTOR (3.96mm PITCH) 5P	
R371	1-247-831-11	CARBON 1K 5% 1/4W		CN2571	1-779-799-11	PIN, CONNECTOR 9P	
R372	1-247-831-11	CARBON 1K 5% 1/4W				< DIODE >	
R373	1-249-416-11	CARBON 820 5% 1/4W		D2575	8-719-991-33	DIODE 1SS133T-77	
R374	1-247-903-00	CARBON 1M 5% 1/4W		D2576	8-719-991-33	DIODE 1SS133T-77	
R375	1-249-424-11	CARBON 3.9K 5% 1/4W				< IC >	
				IC2501	8-749-011-16	IC STK350-230	

# STR-DG500/DG600

Ver. 1.1

**SB AMP**   **SPEAKER B**   **SPEAKER C/SB**

Ref. No.	Part No.	Description	Remark
< TRANSISTOR >			
Q2575	8-729-042-09	TRANSISTOR 2SA1038S-RSE-TP	
Q2576	8-729-042-09	TRANSISTOR 2SA1038S-RSE-TP	
Q2577	8-729-281-53	TRANSISTOR 2SC1815-GR	
< RESISTOR >			
R2560	1-249-411-11	CARBON 330	5% 1/4W
R2561	1-247-831-11	CARBON 1K	5% 1/4W
R2562	1-249-439-11	CARBON 68K	5% 1/4W
R2565	1-249-439-11	CARBON 68K	5% 1/4W
R2566	1-249-421-11	CARBON 2.2K	5% 1/4W
R2571	1-249-428-11	CARBON 8.2K	5% 1/4W
R2572	1-247-847-11	CARBON 4.7K	5% 1/4W
R2574	1-247-831-11	CARBON 1K	5% 1/4W
R2575	1-249-399-11	CARBON 33	5% 1/4W F
R2576	1-240-855-81	CARBON 6.2K	5% 1/4W F
R2577	1-247-847-11	CARBON 4.7K	5% 1/4W
R2578	1-234-182-11	ENCAPSULATED COMPONENT 0.22X2 5W	
R2579	1-249-419-11	CARBON 1.5K	5% 1/4W
R2580	1-249-439-11	CARBON 68K	5% 1/4W
R2581	1-249-393-11	CARBON 10	5% 1/4W F
R2582	1-249-399-11	CARBON 33	5% 1/4W F
R2583	1-249-431-11	CARBON 15K	5% 1/4W
R2584	1-249-431-11	CARBON 15K	5% 1/4W
R2585	1-247-863-11	CARBON 22K	5% 1/4W
R2586	1-247-871-11	CARBON 47K	5% 1/4W
R2587	1-247-871-11	CARBON 47K	5% 1/4W
R2588	1-247-863-11	CARBON 22K	5% 1/4W
R2589	1-249-431-11	CARBON 15K	5% 1/4W
*****			
SPEAKER B BOARD *****			
< CAPACITOR >			
CC20	1-127-876-11	CERAMIC 0.01uF	10% 50V (EXCEPT US,CND,E2)
CC21	1-127-876-11	CERAMIC 0.01uF	10% 50V (EXCEPT US,CND,E2)
< CONNECTOR >			
CNP600	1-785-103-11	PIN, CONNECTOR (3.96mm PITCH) 5P	
CNP601	1-784-921-11	PIN, CONNECTOR 4P	
* CNP807	1-564-242-00	PIN, CONNECTOR (3.96mm PITCH) 5P	
< DIODE >			
D800	8-719-991-33	DIODE 1SS133T-77	
D818	8-719-991-33	DIODE 1SS133T-77	
< TRANSISTOR >			
Q800	8-729-119-78	TRANSISTOR 2SC2785-HFE	
Q809	8-729-119-78	TRANSISTOR 2SC2785-HFE	
< RESISTOR >			
R800	1-249-404-00	CARBON 82	5% 1/4W F
R812	1-249-421-11	CARBON 2.2K	5% 1/4W
R824	1-249-421-11	CARBON 2.2K	5% 1/4W

Ref. No.	Part No.	Description	Remark
R830	1-249-401-11	CARBON 47	5% 1/4W F (CND)
R831	1-249-401-11	CARBON 47	5% 1/4W F (CND)
R831	1-249-404-00	CARBON 82	5% 1/4W F (EXCEPT CND)
RR20	1-249-393-11	CARBON 10	5% 1/4W F (EXCEPT US,CND,E2)
RR21	1-249-393-11	CARBON 10	5% 1/4W F (EXCEPT US,CND,E2)
< RELAY >			
RY600	1-755-170-11	RELAY (12V)	
RY801	1-755-013-11	RELAY (EXCEPT CND)	
RY802	1-755-520-11	RELAY (CND)	
RY803	1-755-520-11	RELAY (CND)	
< TERMINAL BOARD >			
TM600	1-780-215-11	TERMINAL BOARD (4P) (SPEAKERS FRONT B)	(DG600)
TM602	1-694-785-11	TERMINAL BOARD (4P) (SPEAKERS FRONT B)	(DG500)
*****			
SPEAKER C/SB BOARD *****			
< CAPACITOR >			
CC15	1-127-876-11	CERAMIC 0.01uF	10% 50V (DG600:MY,SP,TH)
CC16	1-127-876-11	CERAMIC 0.01uF	10% 50V (EXCEPT US,CND,E2)
CC17	1-127-876-11	CERAMIC 0.01uF	10% 50V (EXCEPT US,CND,E2)
< CONNECTOR >			
* CNP503	1-564-241-11	PIN, CONNECTOR (3.96mm PITCH) 4P	
CNP504	1-564-320-00	PIN, CONNECTOR (3.96mm PITCH) 2P (DG600)	
< DIODE >			
D510	8-719-991-33	DIODE 1SS133T-77	
D760	8-719-991-33	DIODE 1SS133T-77 (DG600)	
< COIL >			
L571	1-420-872-52	COIL, AIR-CORE	
L751	1-420-872-52	COIL, AIR-CORE	
L752	1-420-872-52	COIL, AIR-CORE (DG600)	
< TRANSISTOR >			
Q550	8-729-119-78	TRANSISTOR 2SC2785-HFE	
Q760	8-729-119-78	TRANSISTOR 2SC2785-HFE (DG600)	
< RESISTOR >			
R531	1-249-421-11	CARBON 2.2K	5% 1/4W
R534	1-249-404-00	CARBON 82	5% 1/4W F
R578	1-249-389-11	CARBON 4.7	5% 1/4W F
R751	1-249-389-11	CARBON 4.7	5% 1/4W F
R752	1-249-389-11	CARBON 4.7	5% 1/4W F (DG600)

SPEAKER C/SB

STANDBY

SVIDEO

Ref. No.	Part No.	Description	Remark	Ref. No.	Part No.	Description	Remark
R753	1-249-421-11	CARBON	2.2K 5% 1/4W (DG600)			< GROUND TERMINAL >	
R774	1-249-404-00	CARBON	82 5% 1/4W F (DG600)	G901	1-537-738-21	TERMINAL, GROUND	
RR15	1-249-393-11	CARBON	10 5% 1/4W F (DG600:MY,SP,TH)			< AC OUTLET >	
RR16	1-249-393-11	CARBON	10 5% 1/4W F (EXCEPT US,CND,E2)	△J911	1-785-285-11	OUTLET, AC (1P) (AC OUTLET) (DG600:MY,SP,TH)	
RR17	1-249-393-11	CARBON	10 5% 1/4W F (EXCEPT US,CND,E2)	△J911	1-785-834-11	OUTLET, AC (1P) (AC OUTLET) (DG600:US,CND,E2)	
		< RELAY >				< TRANSISTOR >	
RY500	1-755-170-11	RELAY (12V) (DG600)		Q901	8-729-119-78	TRANSISTOR 2SC2785-HFE	
RY501	1-755-170-11	RELAY (12V)		Q921	8-729-119-78	TRANSISTOR 2SC2785-HFE	
		< TERMINAL BOARD >				< RESISTOR >	
TM501	1-780-365-11	TERMINAL BOARD (4P) (SPEAKERS SURROUND BACK,CENTER) (DG500)		△R810	1-243-634-11	FUSIBLE 0.22 5% 1/2W F	
TM501	1-780-365-11	TERMINAL BOARD (4P) (SPEAKERS SURROUND BACK) (DG600)		△R811	1-243-634-11	FUSIBLE 0.22 5% 1/2W F	
TM502	1-780-217-11	TERMINAL BOARD (2P) (SPEAKERS CENTER) (DG600)		△R901	1-219-237-11	SOLID 3.3M 20% 1/2W F (US,CND)	
*****				R902	1-247-871-11	CARBON 47K 5% 1/4W	
		STANDBY BOARD		R903	1-249-421-11	CARBON 2.2K 5% 1/4W	
		*****		R904	1-249-381-11	CARBON 1 5% 1/4W F	
	1-533-217-41	HOLDER, FUSE		R921	1-247-871-11	CARBON 47K 5% 1/4W	
		< CAPACITOR >		R922	1-247-863-11	CARBON 22K 5% 1/4W	
C913	1-127-888-11	CERAMIC 0.1uF 10% 50V		R923	1-249-429-11	CARBON 10K 5% 1/4W	
C914	1-127-888-11	CERAMIC 0.1uF 10% 50V				< RELAY >	
C915	1-126-943-11	ELECT 2200uF 20% 25V		△RY901	1-755-541-11	RELAY	
C916	1-126-942-61	ELECT 1000uF 20% 25V				< TRANSFORMER >	
C920	1-127-888-11	CERAMIC 0.1uF 10% 50V		△T902	1-443-516-11	TRANSFORMER, POWER (SUB) (US,CND)	
C921	1-127-888-11	CERAMIC 0.1uF 10% 50V		△T902	1-443-517-11	TRANSFORMER, POWER (SUB) (EXCEPT US,CND,E2,TW)	
C924	1-126-960-11	ELECT 1uF 20% 50V		△T902	1-443-519-11	TRANSFORMER, POWER (SUB) (TW)	
C950	1-126-936-11	ELECT 3300uF 20% 16V		△T902	1-443-520-11	TRANSFORMER, POWER (SUB) (E2)	
		< CONNECTOR >		*****			
CNP801	1-784-922-11	PIN, CONNECTOR 5P				SVIDEO BOARD (DG600)	
CNP804	1-564-506-11	PLUG, CONNECTOR 3P				*****	
CNP901	1-564-321-00	PIN, CONNECTOR (3.96mm PITCH) 2P				< CAPACITOR >	
CNP902	1-794-577-21	PIN, CONNECTOR (POWER) 2P		C247	1-127-888-11	CERAMIC 0.1uF 10% 50V	
CNP903	1-779-977-11	PIN, CONNECTOR 6P		C248	1-126-916-11	ELECT 1000uF 20% 6.3V	
CNP906	1-568-106-11	PIN, CONNECTOR (3.96mm PITCH) 4P (E2)		C249	1-126-960-11	ELECT 1uF 20% 50V	
		< DIODE >		C250	1-104-658-11	ELECT 100uF 20% 10V	
D901	8-719-991-33	DIODE 1SS133T-77		C251	1-126-947-11	ELECT 47uF 20% 35V	
D910	6-500-522-11	DIODE 10EDB40-TA2B5		C252	1-127-888-11	CERAMIC 0.1uF 10% 50V	
D911	6-500-522-11	DIODE 10EDB40-TA2B5		C253	1-127-888-11	CERAMIC 0.1uF 10% 50V	
D912	6-500-522-11	DIODE 10EDB40-TA2B5		C254	1-126-947-11	ELECT 47uF 20% 35V	
D913	6-500-522-11	DIODE 10EDB40-TA2B5		C255	1-127-888-11	CERAMIC 0.1uF 10% 50V	
D914	8-719-991-33	DIODE 1SS133T-77		C256	1-127-888-11	CERAMIC 0.1uF 10% 50V	
D915	8-719-991-33	DIODE 1SS133T-77		C258	1-128-805-11	CERAMIC 47PF 5% 50V	
D920	6-500-522-11	DIODE 10EDB40-TA2B5		C259	1-128-805-11	CERAMIC 47PF 5% 50V	
D921	6-500-522-11	DIODE 10EDB40-TA2B5		C260	1-126-964-11	ELECT 10uF 20% 50V	
D922	6-500-522-11	DIODE 10EDB40-TA2B5		C261	1-127-888-11	CERAMIC 0.1uF 10% 50V	
D923	6-500-522-11	DIODE 10EDB40-TA2B5		C262	1-126-964-11	ELECT 10uF 20% 50V	
				C263	1-127-888-11	CERAMIC 0.1uF 10% 50V	
				C265	1-128-805-11	CERAMIC 47PF 5% 50V	
				C266	1-128-805-11	CERAMIC 47PF 5% 50V	

# STR-DG500/DG600

Ver. 1.2

**SV**VIDEO VIDEO

Ref. No.	Part No.	Description	Remark
C268	1-126-964-11	ELECT 10uF 20%	50V
C269	1-127-888-11	CERAMIC 0.1uF 10%	50V
< CONNECTOR >			
CNS252	1-568-442-11	SOCKET, CONNECTOR 9P	
< DIODE >			
D251	8-719-991-33	DIODE 1SS133T-77	
D252	8-719-991-33	DIODE 1SS133T-77	
D253	8-719-991-33	DIODE 1SS133T-77	
D254	8-719-991-33	DIODE 1SS133T-77	
< IC >			
IC251	6-701-890-01	IC NJM2595D	
IC252	6-701-890-01	IC NJM2595D	
IC253	8-759-822-05	IC LA7213	
< CONNECTOR >			
J251	1-537-943-11	CONNECTOR (DIN) 1P (MONITOR S-VIDEO OUT)	
J252	1-794-937-11	CONNECTOR (DIN) 2P (DVD S-VIDEO IN, VIDEO 2 S-VIDEO IN)	
J253	1-794-937-11	CONNECTOR (DIN) 2P (VIDEO 1 S-VIDEO OUT/IN)	
< TRANSISTOR >			
Q250	8-729-029-66	TRANSISTOR DTC114ESA	
Q251	8-729-201-53	TRANSISTOR 2SA1015-GR	
< RESISTOR >			
R206	1-247-804-11	CARBON 75 5%	1/4W
R251	1-247-804-11	CARBON 75 5%	1/4W
R252	1-247-804-11	CARBON 75 5%	1/4W
R253	1-247-804-11	CARBON 75 5%	1/4W
R254	1-247-804-11	CARBON 75 5%	1/4W
R255	1-247-804-11	CARBON 75 5%	1/4W
R257	1-247-804-11	CARBON 75 5%	1/4W
R258	1-247-804-11	CARBON 75 5%	1/4W
R259	1-247-804-11	CARBON 75 5%	1/4W
R260	1-247-804-11	CARBON 75 5%	1/4W
R261	1-249-429-11	CARBON 10K 5%	1/4W
R262	1-249-421-11	CARBON 2.2K 5%	1/4W
R263	1-249-411-11	CARBON 330 5%	1/4W
R264	1-247-883-00	CARBON 150K 5%	1/4W
< RELAY >			
RY250	1-755-184-11	RELAY	
*****			
VIDEO BOARD *****			
	7-685-646-79	SCREW +BVTP 3X8 TYPE2 IT-3 (DG600)	
< CAPACITOR >			
C200	1-128-805-11	CERAMIC 47PF 5%	50V
C201	1-128-805-11	CERAMIC 47PF 5%	50V
C206	1-126-964-11	ELECT 10uF 20%	50V
C207	1-126-964-11	ELECT 10uF 20%	50V

Ref. No.	Part No.	Description	Remark
C208	1-126-964-11	ELECT 10uF 20%	50V
C209	1-126-964-11	ELECT 10uF 20%	50V
C210	1-126-964-11	ELECT 10uF 20%	50V
C213	1-126-934-11	ELECT 220uF 20%	16V
C214	1-127-888-11	CERAMIC 0.1uF 10%	50V
C215	1-127-888-11	CERAMIC 0.1uF 10%	50V
C220	1-126-947-11	ELECT 47uF 20%	35V
C221	1-126-934-11	ELECT 220uF 20%	16V
C223	1-127-888-11	CERAMIC 0.1uF 10%	50V
C224	1-127-888-11	CERAMIC 0.1uF 10%	50V
C308	1-126-964-11	ELECT 10uF 20%	50V
C309	1-126-964-11	ELECT 10uF 20%	50V
C310	1-126-964-11	ELECT 10uF 20%	50V
C311	1-126-964-11	ELECT 10uF 20%	50V
C312	1-126-964-11	ELECT 10uF 20%	50V
C313	1-126-964-11	ELECT 10uF 20%	50V
C315	1-127-868-11	CERAMIC 0.0022uF 10%	50V
C316	1-127-868-11	CERAMIC 0.0022uF 10%	50V
C317	1-126-947-11	ELECT 47uF 20%	35V
C330	1-127-888-11	CERAMIC 0.1uF 10%	50V
C331	1-127-888-11	CERAMIC 0.1uF 10%	50V
C338	1-126-947-11	ELECT 47uF 20%	35V
< CONNECTOR >			
CNP202	1-564-705-11	PIN, CONNECTOR (SMALL TYPE) 3P	
CNP203	1-691-765-11	PLUG (MICRO CONNECTOR) 3P	
CNS201	1-568-442-11	SOCKET, CONNECTOR 9P (DG600)	
CNS202	1-568-442-11	SOCKET, CONNECTOR 9P (DG600)	
CNS203	1-568-828-11	SOCKET, CONNECTOR FPC/FFC (9P) (for 9 pin connecting)	
CNS203	1-784-778-11	CONNECTOR, FFC 17P (for 17 pin connecting)	
< DIODE >			
D203	8-719-991-33	DIODE 1SS133T-77	
D204	8-719-991-33	DIODE 1SS133T-77	
< IC >			
IC203	6-701-890-01	IC NJM2595D	
IC304	6-707-363-01	IC NJM2586AL	
IC804	8-759-245-79	IC TA79005S	
IC807	8-759-231-53	IC TA7805S	
< JACK >			
J200	1-794-978-11	JACK, PIN 3P (DVD VIDEO IN, VIDEO 2 VIDEO IN, VIDEO 1 VIDEO OUT)	
J201	1-815-043-11	JACK, PIN 2P (VIDEO 1 VIDEO IN, MONITOR VIDEO OUT)	
J301	1-816-592-11	JACK, PIN 9P (COMPONENT VIDEO DVD IN (ASSIGNABLE), VIDEO 2 IN (ASSIGNABLE), MONITOR OUT)	
< RESISTOR >			
R200	1-247-804-11	CARBON 75 5%	1/4W
R201	1-247-804-11	CARBON 75 5%	1/4W
R218	1-247-804-11	CARBON 75 5%	1/4W
R219	1-247-804-11	CARBON 75 5%	1/4W
R220	1-247-804-11	CARBON 75 5%	1/4W
R221	1-247-804-11	CARBON 75 5%	1/4W

Ref. No.	Part No.	Description	Remark	Ref. No.	Part No.	Description	Remark
R301	1-247-804-11	CARBON	75 5% 1/4W	C116	1-107-826-11	CERAMIC CHIP 0.1uF 10%	16V
R302	1-247-804-11	CARBON	75 5% 1/4W	C117	1-216-864-11	SHORT CHIP 0	
R303	1-247-804-11	CARBON	75 5% 1/4W	C118	1-162-963-11	CERAMIC CHIP 680PF 10%	50V
R304	1-247-804-11	CARBON	75 5% 1/4W	C119	1-107-826-11	CERAMIC CHIP 0.1uF 10%	16V
R305	1-247-804-11	CARBON	75 5% 1/4W	C120	1-162-969-11	CERAMIC CHIP 0.0068uF 10%	25V
R306	1-247-804-11	CARBON	75 5% 1/4W	C121	1-107-826-11	CERAMIC CHIP 0.1uF 10%	16V
R307	1-247-804-11	CARBON	75 5% 1/4W	C122	1-112-100-11	ELECT 10uF 20%	50V
R308	1-247-804-11	CARBON	75 5% 1/4W	C123	1-107-826-11	CERAMIC CHIP 0.1uF 10%	16V
R309	1-247-804-11	CARBON	75 5% 1/4W	C124	1-107-826-11	CERAMIC CHIP 0.1uF 10%	16V
R310	1-247-831-11	CARBON	1K 5% 1/4W	C125	1-112-100-11	ELECT 10uF 20%	50V
R311	1-247-831-11	CARBON	1K 5% 1/4W	C126	1-107-826-11	CERAMIC CHIP 0.1uF 10%	16V
R312	1-247-831-11	CARBON	1K 5% 1/4W	C127	1-107-826-11	CERAMIC CHIP 0.1uF 10%	16V
R313	1-247-863-11	CARBON	22K 5% 1/4W	C128	1-162-969-11	CERAMIC CHIP 0.0068uF 10%	25V
*****							
VIDEO3 BOARD							
*****							
< CAPACITOR >							
C293	1-127-888-11	CERAMIC	0.1uF 10% 50V	C131	1-162-919-11	CERAMIC CHIP 22PF 5%	50V
C294	1-127-888-11	CERAMIC	0.1uF 10% 50V	C132	1-162-919-11	CERAMIC CHIP 22PF 5%	50V
< CONNECTOR >							
CN201	1-784-922-11	PIN, CONNECTOR 5P		C133	1-162-919-11	CERAMIC CHIP 22PF 5%	50V
< JACK >							
J298	1-819-187-11	JACK, PIN 3P (VIDEO 3 IN/PORTABLE AV IN VIDEO,AUDIO)		C134	1-162-919-11	CERAMIC CHIP 22PF 5%	50V
< RESISTOR >							
R298	1-247-831-11	CARBON	1K 5% 1/4W	C135	1-162-970-11	CERAMIC CHIP 0.01uF 10%	25V
R299	1-247-831-11	CARBON	1K 5% 1/4W	C136	1-107-826-11	CERAMIC CHIP 0.1uF 10%	16V
< LEAD WIRE >							
* W290	1-690-880-31	LEAD (WITH CONNECTOR)		C137	1-126-964-11	ELECT 10uF 20%	50V
*****							
A-1157-747-A	XM BOARD, COMPLETE (DG600:US,CND)						
*****							
1-533-217-41	HOLDER, FUSE						
7-685-646-79	SCREW +BVTP 3X8 TYPE2 IT-3						
< CAPACITOR >							
C101	1-126-933-11	ELECT	100uF 20% 16V	C138	1-107-826-11	CERAMIC CHIP 0.1uF 10%	16V
C102	1-125-891-11	CERAMIC CHIP	0.47uF 10% 10V	C139	1-126-964-11	ELECT 10uF 20%	50V
C103	1-107-826-11	CERAMIC CHIP	0.1uF 10% 16V	C140	1-107-826-11	CERAMIC CHIP 0.1uF 10%	16V
C104	1-112-100-11	ELECT	10uF 20% 50V	C142	1-126-964-11	ELECT 10uF 20%	50V
C105	1-107-826-11	CERAMIC CHIP	0.1uF 10% 16V	C143	1-107-826-11	CERAMIC CHIP 0.1uF 10%	16V
C106	1-115-416-11	CERAMIC CHIP	0.001uF 5% 25V	C144	1-107-826-11	CERAMIC CHIP 0.1uF 10%	16V
C107	1-115-416-11	CERAMIC CHIP	0.001uF 5% 25V	C145	1-126-964-11	ELECT 10uF 20%	50V
C108	1-107-826-11	CERAMIC CHIP	0.1uF 10% 16V	C146	1-107-826-11	CERAMIC CHIP 0.1uF 10%	16V
C109	1-115-416-11	CERAMIC CHIP	0.001uF 5% 25V	C147	1-107-826-11	CERAMIC CHIP 0.1uF 10%	16V
C110	1-107-826-11	CERAMIC CHIP	0.1uF 10% 16V	C148	1-107-826-11	CERAMIC CHIP 0.1uF 10%	16V
C111	1-107-826-11	CERAMIC CHIP	0.1uF 10% 16V	C149	1-107-826-11	CERAMIC CHIP 0.1uF 10%	16V
C112	1-216-864-11	SHORT CHIP	0	C150	1-164-004-11	CERAMIC CHIP 0.1uF 10%	25V
C113	1-126-964-11	ELECT	10uF 20% 50V	C151	1-164-004-11	CERAMIC CHIP 0.1uF 10%	25V
C114	1-216-864-11	SHORT CHIP	0	C152	1-164-004-11	CERAMIC CHIP 0.1uF 10%	25V
C115	1-216-864-11	SHORT CHIP	0	C153	1-126-933-11	ELECT 100uF 20%	16V
< CONNECTOR >							
CN101	1-568-828-11	CONNECTOR, FFC 9P		C154	1-128-547-11	ELECT 6800uF 20%	16V
CN102	1-784-766-11	CONNECTOR, FFC 5P		C157	1-107-823-11	CERAMIC CHIP 0.47uF 10%	16V
CN103	1-779-978-11	PIN, CONNECTOR 3P		C158	1-164-004-11	CERAMIC CHIP 0.1uF 10%	25V
< DIODE >							
D101	6-500-462-01	DIODE NSAD500F-T1B		C159	1-126-933-11	ELECT 100uF 20%	16V
D103	8-719-083-02	DIODE KDS160-RTK		C160	1-115-416-11	CERAMIC CHIP 0.001uF 5%	25V
D104	8-719-043-53	DIODE D2SBA20F03		C161	1-107-823-11	CERAMIC CHIP 0.47uF 10%	16V
				C163	1-164-004-11	CERAMIC CHIP 0.1uF 10%	25V
				C164	1-164-004-11	CERAMIC CHIP 0.1uF 10%	25V
				C165	1-162-910-11	CERAMIC CHIP 5PF 0.25PF	50V
				C166	1-162-910-11	CERAMIC CHIP 5PF 0.25PF	50V
				C167	1-107-826-11	CERAMIC CHIP 0.1uF 10%	16V

# STR-DG500/DG600

Ver. 1.2

**XM**

Ref. No.	Part No.	Description	Remark
		< FERRITE BEAD >	
FB101	1-469-152-11	FERRITE, EMI (SMD) (2012)	
FB104	1-469-152-11	FERRITE, EMI (SMD) (2012)	
		< IC >	
IC101	6-705-468-01	IC BA33BC0FP-E2	
IC102	6-709-251-01	IC F2602E-01-TR	
IC103	8-759-524-50	IC TC74VHC541FT(EL)	
IC104	8-759-710-97	IC NJM4565M-D	
IC105	6-707-111-01	IC PCM1753DBQR	
IC106	6-707-802-01	IC BA00CC0WT(-V5)	
IC107	6-703-547-01	IC TA7805LS	
		< CONNECTOR >	
J101	1-793-642-21	CONNECTOR (USB) (4P), SQUARE (XM)	
		< JUMPER RESISTOR >	
L101	1-216-295-11	SHORT CHIP 0	
L102	1-216-295-11	SHORT CHIP 0	
		< TRANSISTOR >	
Q101	8-729-027-23	TRANSISTOR DTA114EKA-T146	
Q104	8-729-027-43	TRANSISTOR DTC114EKA-T146	
		< RESISTOR >	
R101	1-216-833-11	METAL CHIP 10K 5%	1/10W
R102	1-216-833-11	METAL CHIP 10K 5%	1/10W
R103	1-216-833-11	METAL CHIP 10K 5%	1/10W
R104	1-216-833-11	METAL CHIP 10K 5%	1/10W
R105	1-216-809-11	METAL CHIP 100 5%	1/10W
R106	1-216-809-11	METAL CHIP 100 5%	1/10W
R107	1-216-809-11	METAL CHIP 100 5%	1/10W
R108	1-216-809-11	METAL CHIP 100 5%	1/10W
R109	1-216-841-11	METAL CHIP 47K 5%	1/10W
R111	1-216-821-11	METAL CHIP 1K 5%	1/10W
R112	1-216-833-11	METAL CHIP 10K 5%	1/10W
R115	1-216-833-11	METAL CHIP 10K 5%	1/10W
R116	1-216-833-11	METAL CHIP 10K 5%	1/10W
R117	1-216-809-11	METAL CHIP 100 5%	1/10W
R118	1-216-841-11	METAL CHIP 47K 5%	1/10W
R119	1-216-841-11	METAL CHIP 47K 5%	1/10W
R120	1-216-834-11	METAL CHIP 12K 5%	1/10W
R121	1-216-841-11	METAL CHIP 47K 5%	1/10W
R122	1-216-841-11	METAL CHIP 47K 5%	1/10W
R123	1-216-819-11	METAL CHIP 680 5%	1/10W
R124	1-216-832-11	METAL CHIP 8.2K 5%	1/10W
R125	1-216-813-11	METAL CHIP 220 5%	1/10W
R126	1-216-845-11	METAL CHIP 100K 5%	1/10W
R127	1-216-809-11	METAL CHIP 100 5%	1/10W
R128	1-216-845-11	METAL CHIP 100K 5%	1/10W
R129	1-216-809-11	METAL CHIP 100 5%	1/10W
R130	1-216-809-11	METAL CHIP 100 5%	1/10W
R131	1-216-809-11	METAL CHIP 100 5%	1/10W
R132	1-216-832-11	METAL CHIP 8.2K 5%	1/10W
R133	1-216-819-11	METAL CHIP 680 5%	1/10W
R134	1-216-809-11	METAL CHIP 100 5%	1/10W

Ref. No.	Part No.	Description	Remark
R137	1-216-834-11	METAL CHIP 12K 5%	1/10W
R138	1-216-821-11	METAL CHIP 1K 5%	1/10W
R143	1-216-809-11	METAL CHIP 100 5%	1/10W
R144	1-216-821-11	METAL CHIP 1K 5%	1/10W
R145	1-216-841-11	METAL CHIP 47K 5%	1/10W
R146	1-216-841-11	METAL CHIP 47K 5%	1/10W
R147	1-216-833-11	METAL CHIP 10K 5%	1/10W
R152	1-216-809-11	METAL CHIP 100 5%	1/10W
R153	1-216-809-11	METAL CHIP 100 5%	1/10W
R154	1-216-809-11	METAL CHIP 100 5%	1/10W
R155	1-216-809-11	METAL CHIP 100 5%	1/10W
R156	1-216-811-11	METAL CHIP 150 5%	1/10W
R158	1-216-829-11	METAL CHIP 4.7K 5%	1/10W
R160	1-216-864-11	SHORT CHIP 0	
R162	1-216-819-11	METAL CHIP 680 5%	1/10W
R163	1-216-825-11	METAL CHIP 2.2K 5%	1/10W
R164	1-216-841-11	METAL CHIP 47K 5%	1/10W
R165	1-216-864-11	SHORT CHIP 0	
R166	1-216-864-11	SHORT CHIP 0	
R167	1-216-864-11	SHORT CHIP 0	
R168	1-107-826-11	CERAMIC CHIP 0.1uF 10%	16V
R169	1-107-826-11	CERAMIC CHIP 0.1uF 10%	16V
R172	1-216-864-11	SHORT CHIP 0	
R173	1-216-864-11	SHORT CHIP 0	

< VIBRATOR >

X101	1-760-841-11	VIBRATOR, CRYSTAL (45.158MHz)	
------	--------------	-------------------------------	--

\*\*\*\*\*

Ref. No.	Part No.	Description	Remark	Ref. No.	Part No.	Description	Remark
		MISCELLANEOUS *****				ACCESSORIES *****	
58	1-829-023-11	WIRE (FLAT TYPE) (23 CORE)		1-468-981-11	REMOTE COMMANDER (RM-AAP012)		
103	1-828-954-11	WIRE (FLAT TYPE) (9 CORE) (DG600)			(including BATTERY LID) (DG600:US,CND)		
104	1-828-957-11	WIRE (FLAT TYPE) (9 CORE) (DG600)		1-468-982-11	REMOTE COMMANDER (RM-AAP013)		
△ 106	1-769-079-23	CORD, POWER (KR)			(including BATTERY LID)		
△ 106	1-777-071-23	CORD, POWER (E2)			(DG600:E2,MY,SP,TH)		
△ 106	1-777-071-83	CORD, POWER (AEP,UK,MY,SP,TH)		1-479-691-11	STANDARD COMMANDER (RM-AAU005)		
△ 106	1-783-820-11	CORD, POWER (US,CND)			(including BATTERY LID) (DG500)		
△ 106	1-827-295-22	CORD, POWER (AUS)		1-501-374-12	ANTENNA, LOOP (AM)		
△ 106	1-827-597-41	CORD, POWER (TW)		1-501-807-12	ANTENNA (FM) (EXCEPT US,CND,E2)		
107	1-828-937-11	WIRE (FLAT TYPE) (5 CORE) (DG600:US,CND)		1-542-670-11	MEASUREMENT MIC (MONO) (ECM-AC2)		
153	1-828-956-11	WIRE (FLAT TYPE) (9 CORE)		△ 1-569-008-22	ADAPTOR, CONVERSION 2P (E2)		
		(for 9 pin connecting)		△ 1-770-019-61	ADAPTOR, CONVERSION PLUG (UK)		
153	1-828-993-11	WIRE (FLAT TYPE) (17 CORE)		1-793-184-23	CONNECTOR (F TYPE ADAPTOR) (FM)		
		(for 17 pin connecting)			(US,CND,E2)		
155	1-828-956-11	WIRE (FLAT TYPE) (9 CORE) (DG600)		2-662-258-11	MANUAL, INSTRUCTION (ENGLISH)		
159	1-828-963-11	WIRE (FLAT TYPE) (11 CORE) (EXCEPT AEP,UK)			(DG500:EXCEPT KR)		
159	1-828-980-11	WIRE (FLAT TYPE) (15 CORE) (AEP,UK)		2-662-258-21	MANUAL, INSTRUCTION (FRENCH)		
△ F40	1-533-689-12	FUSE, GLASS CYLINDRICAL (DIA. 5)			(DG500:CND,AEP,E2,MY,SP,TH)		
		(1A/125V) (DG600:US,CND)		2-662-258-31	MANUAL, INSTRUCTION (SPANISH)		
△ F901	1-532-464-33	FUSE (T2.5AL/250V) (EXCEPT US,CND,E2,TW)			(DG500:AEP,E2,MY,SP,TH)		
△ F901	1-532-465-33	FUSE (T3.15AL/250V) (E2)		2-662-258-41	MANUAL, INSTRUCTION (GERMAN,DUTCH, SWEDISH) (DG500:AEP)		
△ F901	1-532-504-33	FUSE (T4A/250V) (TW)		2-662-258-51	MANUAL, INSTRUCTION (ITALIAN,POLISH)		
△ F901	1-533-454-12	FUSE, GLASS TUBE (DIA. 5) (6.3A/125V)			(DG500:AEP)		
		(US,CND)		2-662-258-61	MANUAL, INSTRUCTION		
△ F902	1-532-464-33	FUSE (T2.5AL/250V) (DG600:E2,MY,SP,TH)			(TRADITIONAL CHINESE)		
△ F902	1-533-453-12	FUSE, GLASS TUBE (DIA. 5) (5A/125V)			(DG500:MY,SP,TH,TW)		
		(DG600:US,CND)		2-662-258-71	MANUAL, INSTRUCTION (KOREAN) (DG500:KR)		
Q503	6-702-390-01	TRANSISTOR MN2488-OPY-MK		2-662-259-11	MANUAL, INSTRUCTION (DANISH,FINNISH)		
Q504	6-702-391-01	TRANSISTOR MP1620-OPY-MK			(DG500:AEP)		
Q533	6-702-390-01	TRANSISTOR MN2488-OPY-MK		2-662-259-21	MANUAL, INSTRUCTION (PORTUGUESE)		
					(DG500:AEP)		
Q534	6-702-391-01	TRANSISTOR MP1620-OPY-MK		2-662-259-31	MANUAL, INSTRUCTION (RUSSIAN)		
Q603	6-702-390-01	TRANSISTOR MN2488-OPY-MK			(DG500:AEP)		
Q604	6-702-391-01	TRANSISTOR MP1620-OPY-MK		2-662-259-41	MANUAL, INSTRUCTION (GREEK) (DG500:AEP)		
Q653	6-702-390-01	TRANSISTOR MN2488-OPY-MK		2-662-259-51	MANUAL, INSTRUCTION (TURKISH)		
Q654	6-702-391-01	TRANSISTOR MP1620-OPY-MK			(DG500:AEP)		
Q703	6-702-390-01	TRANSISTOR MN2488-OPY-MK		2-662-259-61	MANUAL, INSTRUCTION (HUNGARIAN,CZECH)		
Q704	6-702-391-01	TRANSISTOR MP1620-OPY-MK			(DG500:AEP)		
Q753	6-702-390-01	TRANSISTOR MN2488-OPY-MK		2-662-259-71	MANUAL, INSTRUCTION (SLOVAKIAN)		
Q754	6-702-391-01	TRANSISTOR MP1620-OPY-MK			(DG500:AEP)		
Q2572	8-729-026-08	TRANSISTOR 2SC4495 (DG600)		2-662-260-11	MANUAL, INSTRUCTION (ENGLISH)		
					(DG600:US,CND)		
Q2573	6-702-390-01	TRANSISTOR MN2488-OPY-MK (DG600)		2-662-260-21	MANUAL, INSTRUCTION (FRENCH)		
Q2574	6-702-391-01	TRANSISTOR MP1620-OPY-MK (DG600)			(DG600:CND)		
△ T901	1-439-550-21	TRANSFORMER, POWER (MAIN)		2-662-260-31	MANUAL, INSTRUCTION (SPANISH)		
		(AEP,UK,AUS,KR)			(DG600:E2,MY,SP,TH)		
△ T901	1-439-552-21	TRANSFORMER, POWER (MAIN) (TW)		2-662-260-41	MANUAL, INSTRUCTION		
△ T901	1-439-553-21	TRANSFORMER, POWER (MAIN) (E2)			(TRADITIONAL CHINESE) (DG600:MY,SP,TH)		
△ T901	1-439-583-11	TRANSFORMER, POWER (MAIN) (US,CND)		2-662-260-51	MANUAL, INSTRUCTION (ENGLISH)		
△ T901	1-445-019-11	TRANSFORMER, POWER (MAIN) (MY,SP,TH)			(DG600:E2,MY,SP,TH)		
TN1	1-693-675-11	TUNER PACK (ANTENNA) (DG500:US,CND,E2)		2-662-260-61	MANUAL, INSTRUCTION (FRENCH)		
TN1	1-693-675-21	TUNER PACK (ANTENNA) (DG600:US,CND,E2)			(DG600:E2,MY,SP,TH)		
TN1	1-693-676-21	TUNER PACK (ANTENNA) (AEP,UK)					
TN1	1-693-678-11	TUNER PACK (ANTENNA)					
		(EXCEPT US,CND,AEP,UK,E2)					

\*\*\*\*\*

MEMO

# STR-DG500/DG600

*US Model*  
*Canadian Model*  
*STR-DG500/DG600*

*AEP Model*  
*UK Model*  
*STR-DG500*

*E Model*  
*STR-DG500/DG600*

*Australian Model*  
*STR-DG500*

## SUPPLEMENT-1

File this supplement with the service manual.

**Subject :** CHANGE OF DIGITAL BOARD AND ADDITION OF CONVERTER BOARD RESULTING FROM CHANGE OF TUNER (TN1) (STR-DG500: US, Canadian, AEP and UK model)

For the STR-DG500 models designed for US, Canadian, AEP and UK, there have been a change of the tuner (TN1) and a resultant change of the DIGITAL board as well as a resultant addition of the CONVERTER board while in the stage of production.

This Supplement-1 only describes changes.

### How to Identify the New Types:

The new types of the STR-DG500 model sets are identified by the following part numbers specified on the back panel.

Check the part number on the back panel of your set when servicing it.

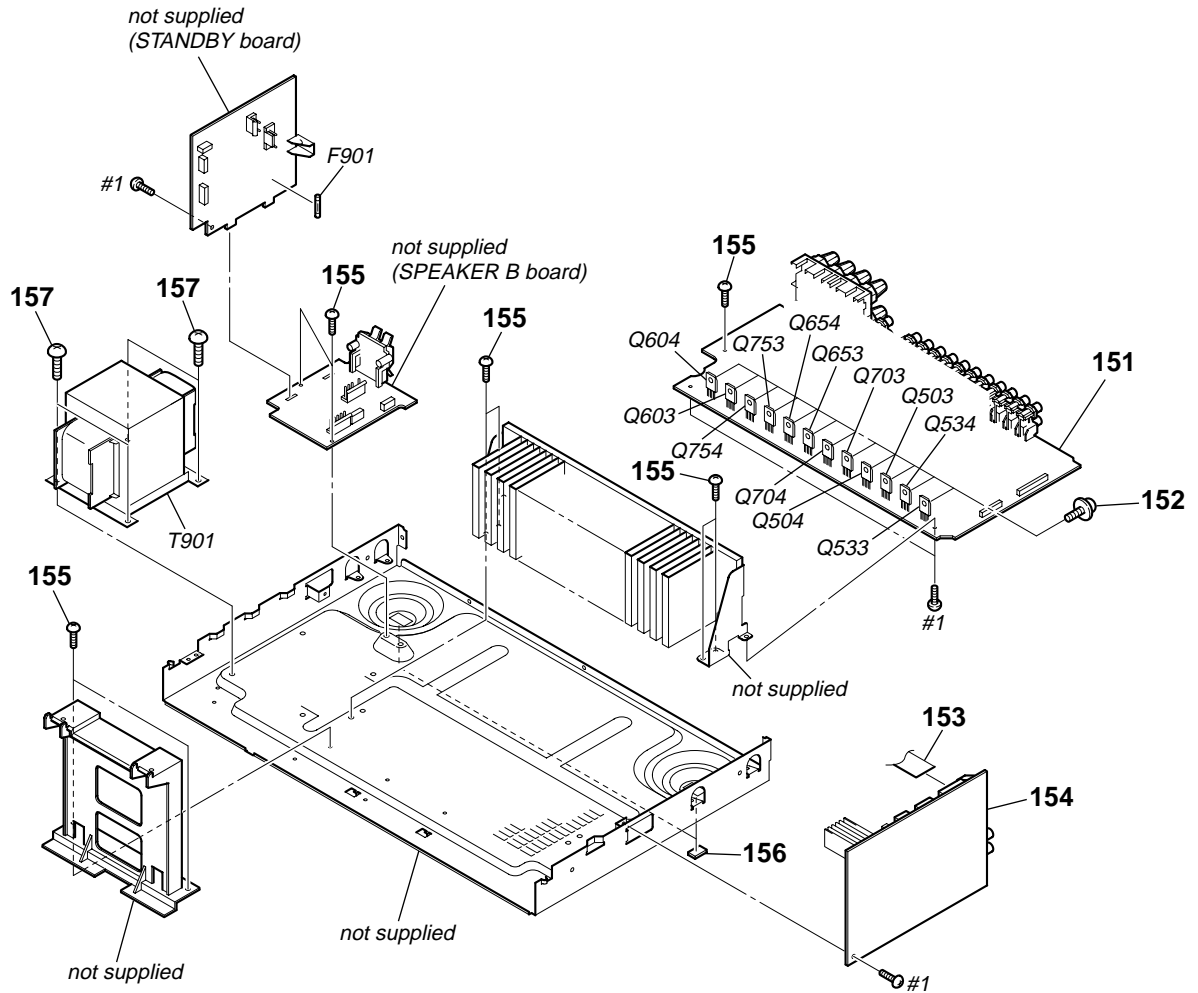
### BACK PANEL



MODEL	PART No.
DG500: US	2-889-869-0□
DG500: Canadian	2-889-869-1□
DG500: AEP, UK	2-889-869-2□



8-2. CHASSIS SECTION



Ref. No.	Part No.	Description	Remark	Ref. No.	Part No.	Description	Remark
151	A-1157-218-A	MAIN BOARD, COMPLETE (DG500:US,CND)		Q533	6-702-390-01	TRANSISTOR MN2488-OPY-MK	
151	A-1157-285-A	MAIN BOARD, COMPLETE (DG500:AEP,UK)		Q534	6-702-391-01	TRANSISTOR MP1620-OPY-MK	
152	3-905-609-01	SCREW (TRANSISTOR)		Q603	6-702-390-01	TRANSISTOR MN2488-OPY-MK	
153	1-828-956-11	WIRE (FLAT TYPE) (9 CORE)		Q604	6-702-391-01	TRANSISTOR MP1620-OPY-MK	
154	A-1214-971-A	DIGITAL BOARD, COMPLETE (DG500:US,CND)		Q653	6-702-390-01	TRANSISTOR MN2488-OPY-MK	
154	A-1214-972-A	DIGITAL BOARD, COMPLETE (DG500:AEP,UK)		Q654	6-702-391-01	TRANSISTOR MP1620-OPY-MK	
155	3-077-331-21	+BV 3 (3-CR)		Q703	6-702-390-01	TRANSISTOR MN2488-OPY-MK	
156	4-977-358-01	CUSHION		Q704	6-702-391-01	TRANSISTOR MP1620-OPY-MK	
157	4-249-675-01	+BV SUMITITE S 4X6 ROUND		Q753	6-702-390-01	TRANSISTOR MN2488-OPY-MK	
△F901	1-532-464-33	FUSE (T2.5AL/250V) (DG500:AEP,UK)		Q754	6-702-391-01	TRANSISTOR MP1620-OPY-MK	
△F901	1-533-454-12	FUSE, GLASS TUBE (DIA. 5) (6.3A/125V) (DG500:US,CND)		△T901	1-439-550-21	TRANSFORMER, POWER (DG500:AEP,UK)	
Q503	6-702-390-01	TRANSISTOR MN2488-OPY-MK		△T901	1-439-583-11	TRANSFORMER, POWER (DG500:US,CND)	
Q504	6-702-391-01	TRANSISTOR MP1620-OPY-MK		#1	7-685-646-79	SCREW +BVTP 3X8 TYPE2 IT-3	

# STR-DG500/DG600

**CONVERTER** **DIGITAL**

## 9. ELECTRICAL PARTS LIST (STR-DG500: US, CANADIAN, AEP, UK MODEL)

**NOTE:**

- Due to standardization, replacements in the parts list may be different from the parts specified in the diagrams or the components used on the set.
- RESISTORS  
All resistors are in ohms.  
METAL: Metal-film resistor.  
METAL OXIDE: Metal oxide-film resistor.  
F: nonflammable
- Items marked "\*" are not stocked since they are seldom required for routine service. Some delay should be anticipated when ordering these items.

- SEMICONDUCTORS  
In each case, u :  $\mu$ , for example:  
uA.. :  $\mu$ A.. uPA.. :  $\mu$ PA..  
uPB.. :  $\mu$ PB.. uPC.. :  $\mu$ PC.. uPD.. :  $\mu$ PD..
- CAPACITORS  
uF :  $\mu$ F
- COILS  
uH :  $\mu$ H
- Abbreviation  
CND : Canadian model

The components identified by mark  $\Delta$  or dotted line with mark  $\Delta$  are critical for safety. Replace only with part number specified.

Les composants identifiés par une marque  $\Delta$  sont critiques pour la sécurité. Ne les remplacer que par une pièce portant le numéro spécifié.

When indicating parts by reference number, please include the board.

Ref. No.	Part No.	Description	Remark	Ref. No.	Part No.	Description	Remark
		CONVERTER BOARD (DG500:US,CND,AEP,UK)		C1140	1-100-566-11	CERAMIC CHIP 0.1uF 10%	25V
		*****		C1142	1-100-566-11	CERAMIC CHIP 0.1uF 10%	25V
		< CONNECTOR >		C1144	1-162-974-11	CERAMIC CHIP 0.01uF	50V
CNS1	1-568-830-11	CONNECTOR, FFC 11P (DG500:US,CND)		C1145	1-162-974-11	CERAMIC CHIP 0.01uF	50V
CNS1	1-784-776-11	CONNECTOR, FFC 15P (DG500:AEP,UK)		C1146	1-162-974-11	CERAMIC CHIP 0.01uF	50V
CNS2	1-568-828-11	CONNECTOR, FFC 9P (DG500:US,CND)		C1149	1-162-960-11	CERAMIC CHIP 220PF 10%	50V
CNS2	1-784-774-11	CONNECTOR, FFC 13P (DG500:AEP,UK)		C1171	1-162-974-11	CERAMIC CHIP 0.01uF	50V
		*****		C1172	1-162-974-11	CERAMIC CHIP 0.01uF	50V
A-1214-971-A		DIGITAL BOARD, COMPLETE (DG500:US,CND)		C1254	1-162-960-11	CERAMIC CHIP 220PF 10%	50V
A-1214-972-A		DIGITAL BOARD, COMPLETE (DG500:AEP,UK)		C1255	1-162-960-11	CERAMIC CHIP 220PF 10%	50V
		*****		C1256	1-164-227-11	CERAMIC CHIP 0.022uF 10%	25V
7-685-646-79		SCREW +BVTP 3X8 TYPE2 IT-3		C1299	1-100-566-11	CERAMIC CHIP 0.1uF 10%	25V
		< CAPACITOR >		C1301	1-100-566-11	CERAMIC CHIP 0.1uF 10%	25V
C1001	1-126-925-11	ELECT 470uF 20%	10V	C1302	1-162-974-11	CERAMIC CHIP 0.01uF	50V
C1002	1-100-566-11	CERAMIC CHIP 0.1uF 10%	25V	C1303	1-100-566-11	CERAMIC CHIP 0.1uF 10%	25V
C1004	1-100-566-11	CERAMIC CHIP 0.1uF 10%	25V	C1304	1-162-974-11	CERAMIC CHIP 0.01uF	50V
C1005	1-100-566-11	CERAMIC CHIP 0.1uF 10%	25V	C1305	1-100-566-11	CERAMIC CHIP 0.1uF 10%	25V
C1021	1-100-566-11	CERAMIC CHIP 0.1uF 10%	25V	C1306	1-126-947-11	ELECT 47uF 20%	35V
C1022	1-126-925-11	ELECT 470uF 20%	10V	C1308	1-100-566-11	CERAMIC CHIP 0.1uF 10%	25V
C1031	1-100-566-11	CERAMIC CHIP 0.1uF 10%	25V	C1309	1-162-918-11	CERAMIC CHIP 18PF 5%	50V
C1032	1-126-925-11	ELECT 470uF 20%	10V	C1310	1-162-918-11	CERAMIC CHIP 18PF 5%	50V
C1100	1-100-566-11	CERAMIC CHIP 0.1uF 10%	25V	C1312	1-100-566-11	CERAMIC CHIP 0.1uF 10%	25V
C1102	1-100-566-11	CERAMIC CHIP 0.1uF 10%	25V	C1313	1-162-927-11	CERAMIC CHIP 100PF 5%	50V
C1103	1-126-947-11	ELECT 47uF 20%	35V	C1314	1-100-566-11	CERAMIC CHIP 0.1uF 10%	25V
C1104	1-216-864-11	SHORT CHIP 0		C1315	1-100-566-11	CERAMIC CHIP 0.1uF 10%	25V
C1105	1-216-864-11	SHORT CHIP 0		C1351	1-100-566-11	CERAMIC CHIP 0.1uF 10%	25V
C1107	1-100-566-11	CERAMIC CHIP 0.1uF 10%	25V	C1354	1-100-566-11	CERAMIC CHIP 0.1uF 10%	25V
C1108	1-100-566-11	CERAMIC CHIP 0.1uF 10%	25V	C1355	1-104-662-11	ELECT 22uF 20%	25V
C1118	1-100-566-11	CERAMIC CHIP 0.1uF 10%	25V	C1357	1-162-905-11	CERAMIC CHIP 1PF 0.25PF	50V
C1119	1-100-566-11	CERAMIC CHIP 0.1uF 10%	25V	C1358	1-100-566-11	CERAMIC CHIP 0.1uF 10%	25V
C1120	1-162-974-11	CERAMIC CHIP 0.01uF	50V	C1359	1-126-916-11	ELECT 1000uF 20%	6.3V
C1121	1-100-566-11	CERAMIC CHIP 0.1uF 10%	25V	C1360	1-162-923-11	CERAMIC CHIP 47PF 5%	50V
C1122	1-100-566-11	CERAMIC CHIP 0.1uF 10%	25V	C1361	1-100-566-11	CERAMIC CHIP 0.1uF 10%	25V
C1123	1-100-566-11	CERAMIC CHIP 0.1uF 10%	25V	C1362	1-162-974-11	CERAMIC CHIP 0.01uF	50V
C1124	1-100-566-11	CERAMIC CHIP 0.1uF 10%	25V	C1401	1-100-566-11	CERAMIC CHIP 0.1uF 10%	25V
C1129	1-162-974-11	CERAMIC CHIP 0.01uF	50V	C1402	1-126-947-11	ELECT 47uF 20%	35V
C1130	1-162-974-11	CERAMIC CHIP 0.01uF	50V	C1403	1-126-964-11	ELECT 10uF 20%	50V
C1131	1-162-974-11	CERAMIC CHIP 0.01uF	50V	C1404	1-100-566-11	CERAMIC CHIP 0.1uF 10%	25V
C1132	1-162-974-11	CERAMIC CHIP 0.01uF	50V	C1405	1-162-962-11	CERAMIC CHIP 470PF 10%	50V
C1137	1-162-970-11	CERAMIC CHIP 0.01uF 10%	25V	C1406	1-126-963-11	ELECT 4.7uF 20%	50V
C1138	1-100-566-11	CERAMIC CHIP 0.1uF 10%	25V	C1407	1-126-963-11	ELECT 4.7uF 20%	50V
C1139	1-100-566-11	CERAMIC CHIP 0.1uF 10%	25V	C1408	1-162-962-11	CERAMIC CHIP 470PF 10%	50V
				C1409	1-100-566-11	CERAMIC CHIP 0.1uF 10%	25V
				C1411	1-162-963-11	CERAMIC CHIP 680PF 10%	50V
				C1413	1-162-961-11	CERAMIC CHIP 330PF 10%	50V

Ref. No.	Part No.	Description	Remark	Ref. No.	Part No.	Description	Remark
C1418	1-126-964-11	ELECT	10uF 20% 50V	C1602	1-162-927-11	CERAMIC CHIP 100PF 5% 50V	
C1422	1-162-963-11	CERAMIC CHIP	680PF 10% 50V	C1604	1-100-566-11	CERAMIC CHIP 0.1uF 10% 25V	
C1423	1-162-961-11	CERAMIC CHIP	330PF 10% 50V	C1605	1-100-566-11	CERAMIC CHIP 0.1uF 10% 25V	
C1428	1-126-964-11	ELECT	10uF 20% 50V	C1620	1-100-566-11	CERAMIC CHIP 0.1uF 10% 25V	
C1432	1-162-963-11	CERAMIC CHIP	680PF 10% 50V	C1905	1-100-566-11	CERAMIC CHIP 0.1uF 10% 25V	
C1433	1-162-961-11	CERAMIC CHIP	330PF 10% 50V	C1906	1-126-925-11	ELECT 470uF 20% 10V	
C1438	1-126-964-11	ELECT	10uF 20% 50V	C1908	1-126-925-11	ELECT 470uF 20% 10V	
C1441	1-162-963-11	CERAMIC CHIP	680PF 10% 50V	C1913	1-100-566-11	CERAMIC CHIP 0.1uF 10% 25V	
C1442	1-162-961-11	CERAMIC CHIP	330PF 10% 50V	C1914	1-126-947-11	ELECT 47uF 20% 35V	
C1448	1-126-964-11	ELECT	10uF 20% 50V	C2216	1-100-566-11	CERAMIC CHIP 0.1uF 10% 25V	
C1450	1-100-566-11	CERAMIC CHIP	0.1uF 10% 25V	C2217	1-100-566-11	CERAMIC CHIP 0.1uF 10% 25V	
C1451	1-162-963-11	CERAMIC CHIP	680PF 10% 50V	C2218	1-126-947-11	ELECT 47uF 20% 35V	
C1453	1-162-961-11	CERAMIC CHIP	330PF 10% 50V			< CONNECTOR >	
C1454	1-100-566-11	CERAMIC CHIP	0.1uF 10% 25V				
C1457	1-126-964-11	ELECT	10uF 20% 50V				
C1458	1-126-964-11	ELECT	10uF 20% 50V	CNP503	1-784-922-11	PIN, CONNECTOR 5P	
C1460	1-126-964-11	ELECT	10uF 20% 50V	CNP504	1-784-923-11	PIN, CONNECTOR 7P	
C1462	1-162-963-11	CERAMIC CHIP	680PF 10% 50V	CNP505	1-784-925-11	PIN, CONNECTOR 10P	
C1463	1-162-961-11	CERAMIC CHIP	330PF 10% 50V	CNS501	1-573-829-11	CONNECTOR, BOARD TO BOARD 15P	
C1468	1-126-964-11	ELECT	10uF 20% 50V	CNS502	1-766-719-41	CONNECTOR, BOARD TO BOARD 10P	
C1472	1-162-963-11	CERAMIC CHIP	680PF 10% 50V				
C1473	1-162-961-11	CERAMIC CHIP	330PF 10% 50V	CNS504	1-568-828-11	CONNECTOR, FFC 9P	
C1478	1-126-964-11	ELECT	10uF 20% 50V	CNS505	1-568-838-11	CONNECTOR, FFC 21P	
C1481	1-162-961-11	CERAMIC CHIP	330PF 10% 50V	CNS508	1-568-830-11	CONNECTOR, FFC 11P (DG500:US,CND)	
C1483	1-162-963-11	CERAMIC CHIP	680PF 10% 50V	CNS508	1-784-776-11	CONNECTOR, FFC 15P (DG500:AEP,UK)	
				CNS509	1-568-828-11	CONNECTOR, FFC 9P	
						< DIODE >	
C1487	1-162-966-11	CERAMIC CHIP	0.0022uF 10% 50V	D1001	8-719-053-18	DIODE 1SR154-400TE-25	
C1491	1-126-964-11	ELECT	10uF 20% 50V	D1003	8-719-049-09	DIODE 1SS367-T3SONY	
C1494	1-100-566-11	CERAMIC CHIP	0.1uF 10% 25V	D1004	8-719-049-09	DIODE 1SS367-T3SONY	
C1495	1-162-960-11	CERAMIC CHIP	220PF 10% 50V	D1107	6-501-193-01	DIODE 1SS355WTE-17	
C1501	1-100-566-11	CERAMIC CHIP	0.1uF 10% 25V	D1108	6-501-193-01	DIODE 1SS355WTE-17	
C1502	1-100-566-11	CERAMIC CHIP	0.1uF 10% 25V				
C1503	1-100-566-11	CERAMIC CHIP	0.1uF 10% 25V	D1110	6-501-193-01	DIODE 1SS355WTE-17	
C1504	1-100-566-11	CERAMIC CHIP	0.1uF 10% 25V	D1111	6-501-193-01	DIODE 1SS355WTE-17	
C1505	1-100-566-11	CERAMIC CHIP	0.1uF 10% 25V	D1301	6-501-193-01	DIODE 1SS355WTE-17	
C1506	1-100-566-11	CERAMIC CHIP	0.1uF 10% 25V	D1302	6-501-193-01	DIODE 1SS355WTE-17	
C1507	1-100-566-11	CERAMIC CHIP	0.1uF 10% 25V	D1501	8-719-049-09	DIODE 1SS367-T3SONY	
C1508	1-100-566-11	CERAMIC CHIP	0.1uF 10% 25V				
C1509	1-100-566-11	CERAMIC CHIP	0.1uF 10% 25V	D1502	8-719-049-09	DIODE 1SS367-T3SONY	
C1510	1-100-566-11	CERAMIC CHIP	0.1uF 10% 25V	D1503	8-719-049-09	DIODE 1SS367-T3SONY	
C1511	1-100-566-11	CERAMIC CHIP	0.1uF 10% 25V	D1504	8-719-049-09	DIODE 1SS367-T3SONY	
						< FERRITE BEAD >	
C1513	1-100-566-11	CERAMIC CHIP	0.1uF 10% 25V	FB1101	1-400-862-11	BEAD, FERRITE	
C1514	1-100-566-11	CERAMIC CHIP	0.1uF 10% 25V	FB1302	1-400-862-11	BEAD, FERRITE	
C1515	1-126-925-11	ELECT	470uF 20% 10V	FB1305	1-400-862-11	BEAD, FERRITE	
C1516	1-100-566-11	CERAMIC CHIP	0.1uF 10% 25V	FB1306	1-400-862-11	BEAD, FERRITE	
C1517	1-126-925-11	ELECT	470uF 20% 10V	FB1308	1-400-862-11	BEAD, FERRITE	
C1518	1-100-566-11	CERAMIC CHIP	0.1uF 10% 25V				
C1519	1-100-566-11	CERAMIC CHIP	0.1uF 10% 25V	FB1405	1-400-862-11	BEAD, FERRITE	
C1520	1-100-566-11	CERAMIC CHIP	0.1uF 10% 25V	FB1452	1-400-862-11	BEAD, FERRITE	
C1521	1-162-920-11	CERAMIC CHIP	27PF 5% 50V	FB1453	1-400-862-11	BEAD, FERRITE	
C1522	1-162-920-11	CERAMIC CHIP	27PF 5% 50V	FB1501	1-400-862-11	BEAD, FERRITE	
C1525	1-126-925-11	ELECT	470uF 20% 10V	FB1502	1-400-862-11	BEAD, FERRITE	
C1547	1-162-966-11	CERAMIC CHIP	0.0022uF 10% 50V				
C1557	1-162-966-11	CERAMIC CHIP	0.0022uF 10% 50V	FB1503	1-400-862-11	BEAD, FERRITE	
C1566	1-162-966-11	CERAMIC CHIP	0.0022uF 10% 50V	FB2034	1-400-862-11	BEAD, FERRITE	
C1567	1-162-966-11	CERAMIC CHIP	0.0022uF 10% 50V			< IC >	
C1568	1-162-966-11	CERAMIC CHIP	0.0022uF 10% 50V	IC1001	8-759-231-53	IC TA7805S	
C1569	1-162-966-11	CERAMIC CHIP	0.0022uF 10% 50V	IC1031	6-705-464-01	IC BA50BC0T	
C1601	1-162-974-11	CERAMIC CHIP	0.01uF 50V	IC1101	6-806-952-01	IC MB90488BPF-G-229E1	

# STR-DG500/DG600

## DIGITAL

Ref. No.	Part No.	Description	Remark	Ref. No.	Part No.	Description	Remark
IC1111	6-702-913-01	IC S-80929CNMC-G8ZT2G		R1059	1-216-813-11	METAL CHIP	220 5% 1/10W (DG500:AEP,UK)
IC1131	6-705-866-01	IC BR24L16FJ-WE2		R1061	1-216-809-11	METAL CHIP	100 5% 1/10W
IC1301	8-759-825-15	IC LC89056W-E		R1062	1-216-809-11	METAL CHIP	100 5% 1/10W
IC1303	8-759-242-70	IC TC7WU04F		R1063	1-216-809-11	METAL CHIP	100 5% 1/10W
IC1351	6-600-466-01	IC TORX147L(SONY) (DIGITAL VIDEO 2 IN (OPTICAL))		R1065	1-216-809-11	METAL CHIP	100 5% 1/10W
IC1354	6-600-466-01	IC TORX147L(SONY) (DIGITAL VIDEO 1 IN (OPTICAL))		R1066	1-216-809-11	METAL CHIP	100 5% 1/10W
IC1401	8-759-560-56	IC PCM1800E/2K		R1067	1-216-809-11	METAL CHIP	100 5% 1/10W
IC1403	8-759-710-97	IC NJM4565M-D		R1068	1-216-809-11	METAL CHIP	100 5% 1/10W
IC1404	8-759-710-97	IC NJM4565M-D		R1072	1-216-827-11	METAL CHIP	3.3K 5% 1/10W
IC1405	8-759-710-97	IC NJM4565M-D		R1073	1-216-827-11	METAL CHIP	3.3K 5% 1/10W
IC1406	8-759-710-97	IC NJM4565M-D		R1076	1-216-809-11	METAL CHIP	100 5% 1/10W
IC1452	6-708-785-01	IC PCM1609APT		R1077	1-216-809-11	METAL CHIP	100 5% 1/10W
IC1501	6-705-900-01	IC CXD9718BQ		R1078	1-216-809-11	METAL CHIP	100 5% 1/10W
IC1502	6-709-278-01	IC IS61WV6416BLL-12TLI		R1081	1-216-809-11	METAL CHIP	100 5% 1/10W
IC1503	8-759-546-74	IC TC7WH157FU(TE12R)		R1082	1-216-809-11	METAL CHIP	100 5% 1/10W
IC1601	8-759-268-29	IC SN74HC595ANS		R1083	1-216-833-11	METAL CHIP	10K 5% 1/10W
IC1602	8-759-268-29	IC SN74HC595ANS		R1088	1-216-833-11	METAL CHIP	10K 5% 1/10W
IC1901	6-701-887-02	IC SI-3004KWF		R1094	1-216-833-11	METAL CHIP	10K 5% 1/10W (DG500:US,CND)
IC1902	8-759-231-56	IC TA7809S		R1095	1-216-833-11	METAL CHIP	10K 5% 1/10W (DG500:US,CND)
IC1904	6-705-463-01	IC BA33BC0T		R1096	1-216-833-11	METAL CHIP	10K 5% 1/10W
< JACK >				R1097	1-216-845-11	METAL CHIP	100K 5% 1/10W
J1301	1-794-972-11	JACK, PIN 1P (DIGITAL DVD IN (COAXIAL))		R1103	1-216-864-11	SHORT CHIP	0
< JUMPER RESISTOR >				R1105	1-216-833-11	METAL CHIP	10K 5% 1/10W
JR1005	1-216-864-11	SHORT CHIP	0	R1106	1-216-809-11	METAL CHIP	100 5% 1/10W
JR1008	1-216-864-11	SHORT CHIP	0	R1107	1-216-825-11	METAL CHIP	2.2K 5% 1/10W
JR1015	1-211-950-11	SHORT CHIP	0	R1108	1-216-825-11	METAL CHIP	2.2K 5% 1/10W
JR1016	1-211-950-11	SHORT CHIP	0	R1109	1-216-825-11	METAL CHIP	2.2K 5% 1/10W
JR1019	1-104-329-11	CERAMIC CHIP	0.1uF 10% 50V	R1110	1-216-825-11	METAL CHIP	2.2K 5% 1/10W
JR1020	1-216-864-11	SHORT CHIP	0	R1111	1-216-825-11	METAL CHIP	2.2K 5% 1/10W
JR1104	1-216-864-11	SHORT CHIP	0	R1112	1-216-809-11	METAL CHIP	100 5% 1/10W
JR1202	1-216-864-11	SHORT CHIP	0	R1114	1-216-825-11	METAL CHIP	2.2K 5% 1/10W
JR1207	1-211-950-11	SHORT CHIP	0	R1116	1-216-809-11	METAL CHIP	100 5% 1/10W
JR1302	1-216-864-11	SHORT CHIP	0	R1117	1-216-821-11	METAL CHIP	1K 5% 1/10W
JR1303	1-216-864-11	SHORT CHIP	0	R1118	1-216-821-11	METAL CHIP	1K 5% 1/10W
JR1511	1-400-862-11	BEAD, FERRITE		R1120	1-216-821-11	METAL CHIP	1K 5% 1/10W
< RESISTOR >				R1121	1-216-809-11	METAL CHIP	100 5% 1/10W
R1010	1-216-809-11	METAL CHIP	100 5% 1/10W	R1122	1-216-809-11	METAL CHIP	100 5% 1/10W
R1011	1-216-809-11	METAL CHIP	100 5% 1/10W	R1123	1-216-809-11	METAL CHIP	100 5% 1/10W
R1012	1-216-809-11	METAL CHIP	100 5% 1/10W	R1124	1-216-809-11	METAL CHIP	100 5% 1/10W
R1013	1-216-809-11	METAL CHIP	100 5% 1/10W	R1125	1-216-809-11	METAL CHIP	100 5% 1/10W
R1014	1-216-809-11	METAL CHIP	100 5% 1/10W	R1126	1-216-809-11	METAL CHIP	100 5% 1/10W
R1015	1-216-809-11	METAL CHIP	100 5% 1/10W	R1127	1-216-809-11	METAL CHIP	100 5% 1/10W
R1016	1-216-809-11	METAL CHIP	100 5% 1/10W	R1128	1-216-809-11	METAL CHIP	100 5% 1/10W
R1017	1-216-809-11	METAL CHIP	100 5% 1/10W	R1129	1-216-809-11	METAL CHIP	100 5% 1/10W
R1035	1-216-825-11	METAL CHIP	2.2K 5% 1/10W	R1130	1-216-833-11	METAL CHIP	10K 5% 1/10W
R1039	1-216-833-11	METAL CHIP	10K 5% 1/10W	R1134	1-216-809-11	METAL CHIP	100 5% 1/10W
R1041	1-216-809-11	METAL CHIP	100 5% 1/10W	R1135	1-216-809-11	METAL CHIP	100 5% 1/10W
R1042	1-216-809-11	METAL CHIP	100 5% 1/10W	R1136	1-216-809-11	METAL CHIP	100 5% 1/10W
R1044	1-216-809-11	METAL CHIP	100 5% 1/10W	R1137	1-216-809-11	METAL CHIP	100 5% 1/10W
R1049	1-216-833-11	METAL CHIP	10K 5% 1/10W	R1140	1-216-809-11	METAL CHIP	100 5% 1/10W
R1058	1-216-813-11	METAL CHIP	220 5% 1/10W (DG500:AEP,UK)	R1142	1-216-809-11	METAL CHIP	100 5% 1/10W
				R1143	1-216-809-11	METAL CHIP	100 5% 1/10W
				R1144	1-216-809-11	METAL CHIP	100 5% 1/10W
				R1149	1-216-809-11	METAL CHIP	100 5% 1/10W
				R1150	1-216-809-11	METAL CHIP	100 5% 1/10W

Ref. No.	Part No.	Description			Remark	Ref. No.	Part No.	Description			Remark
R1151	1-216-809-11	METAL CHIP	100	5%	1/10W	R1321	1-216-864-11	SHORT CHIP	0		
R1152	1-216-809-11	METAL CHIP	100	5%	1/10W	R1323	1-216-833-11	METAL CHIP	10K	5%	1/10W
R1153	1-216-809-11	METAL CHIP	100	5%	1/10W	R1351	1-216-809-11	METAL CHIP	100	5%	1/10W
R1154	1-216-809-11	METAL CHIP	100	5%	1/10W	R1354	1-216-809-11	METAL CHIP	100	5%	1/10W
R1155	1-216-809-11	METAL CHIP	100	5%	1/10W	R1355	1-218-285-11	METAL CHIP	75	5%	1/10W
R1156	1-216-864-11	SHORT CHIP	0			R1356	1-216-821-11	METAL CHIP	1K	5%	1/10W
R1157	1-216-864-11	SHORT CHIP	0			R1357	1-216-837-11	METAL CHIP	22K	5%	1/10W
R1159	1-216-827-11	METAL CHIP	3.3K	5%	1/10W	R1358	1-216-854-11	METAL CHIP	560K	5%	1/10W
R1160	1-216-809-11	METAL CHIP	100	5%	1/10W	R1359	1-216-809-11	METAL CHIP	100	5%	1/10W
R1161	1-216-809-11	METAL CHIP	100	5%	1/10W	R1360	1-216-809-11	METAL CHIP	100	5%	1/10W
R1162	1-216-809-11	METAL CHIP	100	5%	1/10W	R1362	1-216-809-11	METAL CHIP	100	5%	1/10W
R1163	1-216-841-11	METAL CHIP	47K	5%	1/10W	R1401	1-216-821-11	METAL CHIP	1K	5%	1/10W
R1164	1-216-837-11	METAL CHIP	22K	5%	1/10W	R1402	1-216-825-11	METAL CHIP	2.2K	5%	1/10W
R1171	1-216-833-11	METAL CHIP	10K	5%	1/10W	R1403	1-216-833-11	METAL CHIP	10K	5%	1/10W
R1172	1-216-833-11	METAL CHIP	10K	5%	1/10W	R1407	1-216-809-11	METAL CHIP	100	5%	1/10W
R1175	1-216-809-11	METAL CHIP	100	5%	1/10W (DG500:AEP,UK)	R1414	1-218-867-11	METAL CHIP	6.8K	0.5%	1/10W
R1179	1-216-833-11	METAL CHIP	10K	5%	1/10W	R1416	1-216-821-11	METAL CHIP	1K	5%	1/10W
R1180	1-216-833-11	METAL CHIP	10K	5%	1/10W	R1420	1-216-864-11	SHORT CHIP	0		
R1181	1-216-833-11	METAL CHIP	10K	5%	1/10W	R1421	1-218-867-11	METAL CHIP	6.8K	0.5%	1/10W
R1182	1-216-833-11	METAL CHIP	10K	5%	1/10W	R1424	1-218-867-11	METAL CHIP	6.8K	0.5%	1/10W
R1183	1-216-833-11	METAL CHIP	10K	5%	1/10W	R1425	1-216-864-11	SHORT CHIP	0		
R1184	1-216-833-11	METAL CHIP	10K	5%	1/10W	R1426	1-216-821-11	METAL CHIP	1K	5%	1/10W
R1185	1-216-833-11	METAL CHIP	10K	5%	1/10W	R1434	1-218-867-11	METAL CHIP	6.8K	0.5%	1/10W
R1186	1-216-833-11	METAL CHIP	10K	5%	1/10W	R1435	1-216-864-11	SHORT CHIP	0		
R1187	1-216-833-11	METAL CHIP	10K	5%	1/10W	R1436	1-216-821-11	METAL CHIP	1K	5%	1/10W
R1188	1-216-833-11	METAL CHIP	10K	5%	1/10W	R1444	1-218-867-11	METAL CHIP	6.8K	0.5%	1/10W
R1189	1-216-833-11	METAL CHIP	10K	5%	1/10W	R1445	1-216-864-11	SHORT CHIP	0		
R1190	1-216-833-11	METAL CHIP	10K	5%	1/10W	R1446	1-216-821-11	METAL CHIP	1K	5%	1/10W
R1191	1-216-833-11	METAL CHIP	10K	5%	1/10W	R1454	1-218-867-11	METAL CHIP	6.8K	0.5%	1/10W
R1192	1-216-833-11	METAL CHIP	10K	5%	1/10W	R1455	1-216-864-11	SHORT CHIP	0		
R1193	1-216-841-11	METAL CHIP	47K	5%	1/10W (DG500:AEP,UK)	R1460	1-216-864-11	SHORT CHIP	0		
R1194	1-216-825-11	METAL CHIP	2.2K	5%	1/10W (DG500:AEP,UK)	R1461	1-216-864-11	SHORT CHIP	0		
R1194	1-216-864-11	SHORT CHIP	0		(DG500:US,CND)	R1463	1-218-867-11	METAL CHIP	6.8K	0.5%	1/10W
R1201	1-216-837-11	METAL CHIP	22K	5%	1/10W	R1464	1-216-864-11	SHORT CHIP	0		
R1253	1-216-833-11	METAL CHIP	10K	5%	1/10W	R1466	1-216-821-11	METAL CHIP	1K	5%	1/10W
R1260	1-216-821-11	METAL CHIP	1K	5%	1/10W	R1470	1-218-867-11	METAL CHIP	6.8K	0.5%	1/10W
R1261	1-216-821-11	METAL CHIP	1K	5%	1/10W	R1471	1-216-864-11	SHORT CHIP	0		
R1301	1-216-830-11	METAL CHIP	5.6K	5%	1/10W	R1472	1-216-864-11	SHORT CHIP	0		
R1302	1-216-829-11	METAL CHIP	4.7K	5%	1/10W	R1473	1-218-867-11	METAL CHIP	6.8K	0.5%	1/10W
R1303	1-216-839-11	METAL CHIP	33K	5%	1/10W	R1474	1-216-833-11	METAL CHIP	10K	5%	1/10W
R1304	1-216-809-11	METAL CHIP	100	5%	1/10W	R1475	1-216-864-11	SHORT CHIP	0		
R1305	1-216-819-11	METAL CHIP	680	5%	1/10W	R1476	1-216-821-11	METAL CHIP	1K	5%	1/10W
R1306	1-216-801-11	METAL CHIP	22	5%	1/10W	R1483	1-218-867-11	METAL CHIP	6.8K	0.5%	1/10W
R1307	1-216-809-11	METAL CHIP	100	5%	1/10W	R1484	1-216-864-11	SHORT CHIP	0		
R1308	1-216-809-11	METAL CHIP	100	5%	1/10W	R1486	1-216-821-11	METAL CHIP	1K	5%	1/10W
R1309	1-216-809-11	METAL CHIP	100	5%	1/10W	R1490	1-218-867-11	METAL CHIP	6.8K	0.5%	1/10W
R1310	1-216-857-11	METAL CHIP	1M	5%	1/10W	R1491	1-218-867-11	METAL CHIP	6.8K	0.5%	1/10W
R1311	1-216-809-11	METAL CHIP	100	5%	1/10W	R1492	1-218-867-11	METAL CHIP	6.8K	0.5%	1/10W
R1312	1-216-809-11	METAL CHIP	100	5%	1/10W	R1493	1-218-867-11	METAL CHIP	6.8K	0.5%	1/10W
R1313	1-216-809-11	METAL CHIP	100	5%	1/10W	R1494	1-218-867-11	METAL CHIP	6.8K	0.5%	1/10W
R1314	1-216-833-11	METAL CHIP	10K	5%	1/10W	R1495	1-218-867-11	METAL CHIP	6.8K	0.5%	1/10W
R1315	1-216-809-11	METAL CHIP	100	5%	1/10W	R1501	1-216-809-11	METAL CHIP	100	5%	1/10W
R1316	1-216-809-11	METAL CHIP	100	5%	1/10W	R1502	1-216-809-11	METAL CHIP	100	5%	1/10W
R1318	1-216-833-11	METAL CHIP	10K	5%	1/10W	R1503	1-216-813-11	METAL CHIP	220	5%	1/10W
R1319	1-216-864-11	SHORT CHIP	0			R1504	1-216-809-11	METAL CHIP	100	5%	1/10W
						R1505	1-216-809-11	METAL CHIP	100	5%	1/10W
						R1506	1-216-809-11	METAL CHIP	100	5%	1/10W
						R1507	1-216-809-11	METAL CHIP	100	5%	1/10W

# STR-DG500/DG600

## DIGITAL

<u>Ref. No.</u>	<u>Part No.</u>	<u>Description</u>			<u>Remark</u>
R1508	1-216-809-11	METAL CHIP	100	5%	1/10W
R1509	1-216-809-11	METAL CHIP	100	5%	1/10W
R1510	1-216-809-11	METAL CHIP	100	5%	1/10W
R1511	1-216-809-11	METAL CHIP	100	5%	1/10W
R1512	1-216-821-11	METAL CHIP	1K	5%	1/10W
R1513	1-216-833-11	METAL CHIP	10K	5%	1/10W
R1514	1-216-833-11	METAL CHIP	10K	5%	1/10W
R1515	1-216-857-11	METAL CHIP	1M	5%	1/10W
R1523	1-216-813-11	METAL CHIP	220	5%	1/10W
R1524	1-216-864-11	SHORT CHIP	0		
R1530	1-216-845-11	METAL CHIP	100K	5%	1/10W
R1541	1-216-813-11	METAL CHIP	220	5%	1/10W
R1555	1-216-813-11	METAL CHIP	220	5%	1/10W
R1556	1-216-809-11	METAL CHIP	100	5%	1/10W
R1557	1-216-813-11	METAL CHIP	220	5%	1/10W
R1570	1-216-833-11	METAL CHIP	10K	5%	1/10W
R1571	1-216-833-11	METAL CHIP	10K	5%	1/10W
R1572	1-216-833-11	METAL CHIP	10K	5%	1/10W
R1573	1-216-833-11	METAL CHIP	10K	5%	1/10W
R1574	1-216-833-11	METAL CHIP	10K	5%	1/10W
R1635	1-216-825-11	METAL CHIP	2.2K	5%	1/10W
R1636	1-216-825-11	METAL CHIP	2.2K	5%	1/10W
< NETWORK RESISTOR >					
RB1500	1-233-576-11	RES, CHIP NETWORK 100X4 (3216)			
RB1501	1-233-576-11	RES, CHIP NETWORK 100X4 (3216)			
RB1502	1-233-576-11	RES, CHIP NETWORK 100X4 (3216)			
RB1503	1-233-576-11	RES, CHIP NETWORK 100X4 (3216)			
RB1504	1-233-576-11	RES, CHIP NETWORK 100X4 (3216)			
RB1506	1-233-576-11	RES, CHIP NETWORK 100X4 (3216)			
RB1507	1-233-576-11	RES, CHIP NETWORK 100X4 (3216)			
RB1508	1-233-576-11	RES, CHIP NETWORK 100X4 (3216)			
< VIBRATOR >					
X1101	1-813-448-21	PIEZOELECTRIC OSCILLATOR (24MHz)			
X1301	1-795-126-21	VIBRATOR, CRYSTAL (12.288MHz)			
X1502	1-813-276-21	QUARTZ, CRYSTAL (13.9MHz)			