

STR-DE425

SERVICE MANUAL

US Model
 Canadian Model
 AEP Model
 UK Model
 E Model
 Australian Model
 Chinese Model



Manufactured under license from Dolby Laboratories Licensing Corporation.
 "DOLBY", "PRO LOGIC" and the double-D symbol are trademarks of Dolby Laboratories Licensing Corporation.

SPECIFICATIONS

Amplifier section

Power output

Stereo mode (DIN 1 kHz, 4 ohms)
 90 W + 90 W

Surround mode (DIN 1 kHz, 4 ohms)
 Front: 90W/ch
 Centre: 90W
 (only in PRO LOG IC MODE)
 REAR: (DIN 1 kHz, 8ohms) 45 W/ch

5.1/DVD INPUT * mode (DIN 1 kHz, 4 ohms)
 Centre: 90 W (DIN 1 kHz, 4 ohms)
 Rear: 45 W/ch (DIN 1 kHz, 8 ohms)

Frequency response
 PHONO: RIAA equalization curve ± 0.5 dB
 TV / LD, CD, TAPE / MD, VIDEO, 5.1/DVD INPUT: 10Hz - 50kHz ± 1 dB

Input

	Sensitivity	Impedance	S/N (Weighting network, input level)
PHONO (MM)	2.5mV	50 kilohms	74 dB 72 dB** (A, 2.5 mV)
CD, 5.1/DVD INPUT*	200 mV	50 kilohms	82 dB 82 dB** (A, 150 mV)
TAPE/MD, TV/LD, VIDEO	150 mV	150 mV	82 dB** (A, 150 mV)

**78IHF

Outputs

TAPE/MD REC OUT:
 Voltage: 150 mV,
 Impedance: 10 kilohms

VIDEO AUDIO OUT:
 Voltage: 150 mV,
 Impedance: 10 kilohms

WOOFER/MIX AUDIO OUT: Voltage: 2V
 Impedance: 10 kilohms

PHONES: Accepts low and high impedance headphones

Muting
 BASS BOOST
 TONE
 Full mute
 +10dB at 70 Hz
 ± 8 dB at 100 Hz and 10 kHz

FM tuner section

Tuning range 87.5 - 108.0 MHz
 Aerial terminals 75 ohms, unbalanced
 Sensitivity Mono: 18.3 dBf, 2.2 μ V /75 ohms
 Stereo: 38.3 dBf, 22.5 μ V /75 ohms

Usable sensitivity S/N
 Mono: 76 dB
 Stereo: 70dB
 Mono: 0.3 %
 Stereo: 0.5 %

Harmonic distortion at 1 kHz
 Separation 45dB at 1 kHz
 Frequency response 30 Hz - 15kHz $_{-2}^{+0.5}$ dB
 Selectivity 60 dB at 400 kHz

AM tuner section

Tuning range 531 - 1602 kHz
 Aerial Loop aerial
 Usable sensitivity 50 dB/m (at 999 kHz)
 S/N 54 dB (at 50 mV/m)
 Harmonic distortion 0.5% (50 mV/m, 400Hz)
 Selectivity 35 dB

Video section

Input VIDEO 1, 2, TV:
 1 Vp-p 75 ohms

Output VIDEO 1, 2, MONITOR:
 1 Vp-p 75 ohms

General

System Tuner section; PLL quartz-locked digital synthesizer system
 Preamplifier section: Low-noise NF type equalizer
 Power amplifier section: Pure-complimentary SEPP
 Power requirements 230 V AC, 50/60 Hz
 Power consumption 230 W
 AC outlets Switched 100 W (except for the U.K. model)

— Continued on next page —

FM STEREO/FM-AM RECEIVER



SONY®

Dimensions	430 × 145 × 295 mm
Mass(Approx.)	STR-DE425: 7.9 kg
Supplied accessories	FM wire aerial (1) AM loop aerial (1) Remote controller (remote) (1) Size AA (R6) batteries (2)

Design and specifications are subject to change without notice.
Specifications indicated are measured at 230 VAC, 50 Hz

SAFETY CHECK-OUT

After correcting the original service problem, perform the following safety checks before releasing the set to the customer: Check the antenna terminals, metal trim, "metallized" knobs, screws, and all other exposed metal parts for AC leakage. Check leakage as described below.

LEAKAGE

The AC leakage from any exposed metal part to earth ground and from all exposed metal parts to any exposed metal part having a return to chassis, must not exceed 0.5 mA (500 microamperes). Leakage current can be measured by any one of three methods.

1. A commercial leakage tester, such as the Simpson 229 or RCA WT-540A. Follow the manufacturers' instructions to use these instruments.
2. A battery-operated AC milliammeter. The Data Precision 245 digital multimeter is suitable for this job.
3. Measuring the voltage drop across a resistor by means of a VOM or battery-operated AC voltmeter. The "limit" indication is 0.75 V, so analog meters must have an accurate low-voltage scale. The Simpson 250 and Sanwa SH-63Trd are examples of a passive VOM that is suitable. Nearly all battery operated digital multimeters that have a 2V AC range are suitable. (See Fig. A)

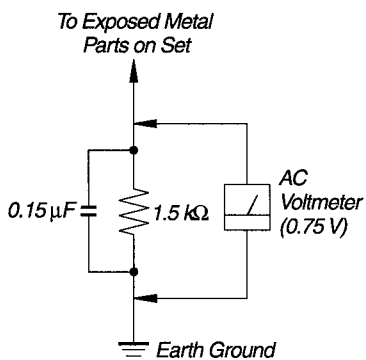


Fig. A. Using an AC voltmeter to check AC leakage.

SAFETY-RELATED COMPONENT WARNING!!

COMPONENTS IDENTIFIED BY MARK Δ OR DOTTED LINE WITH MARK Δ ON THE SCHEMATIC DIAGRAMS AND IN THE PARTS LIST ARE CRITICAL TO SAFE OPERATION. REPLACE THESE COMPONENTS WITH SONY PARTS WHOSE PART NUMBERS APPEAR AS SHOWN IN THIS MANUAL OR IN SUPPLEMENTS PUBLISHED BY SONY.

TABLE OF CONTENTS

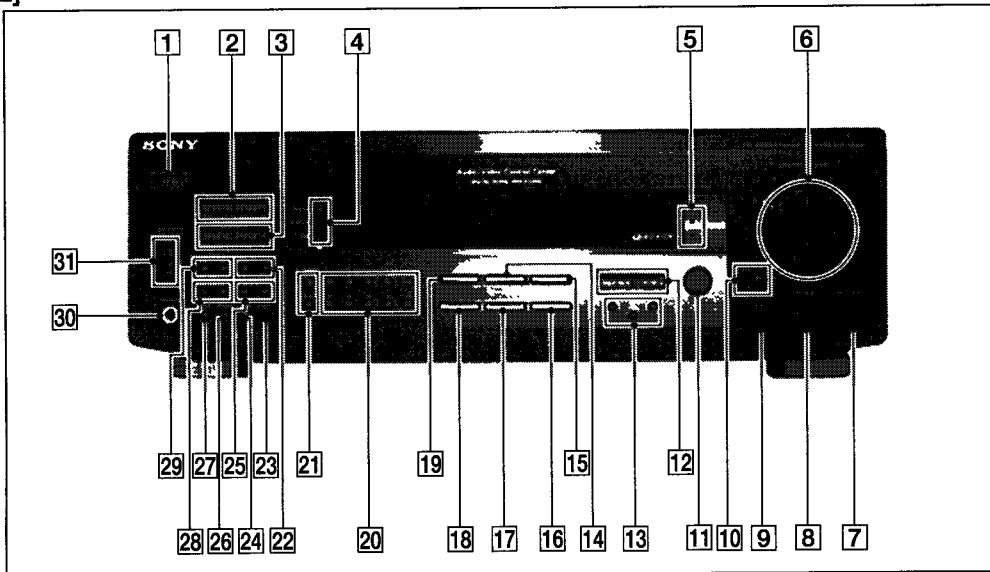
1. GENERAL	3
2. TEST MODE	4
3. DIAGRAMS	
3-1. Circuit Boards Location	5
3-2. Block Diagram	7
3-3. Schematic Diagram — Display Section —	9
3-4. Printed Wiring Board — Display Section —	11
3-5. Schematic Diagram — Power Section —	13
3-6. Printed Wiring Board — Power Section —	15
3-7. Printed Wiring Board — Main Section —	17
3-8. Schematic Diagram — Main Section (1/3) —	19
3-9. Schematic Diagram — Main Section (2/3) —	21
3-10. Schematic Diagram — Main Section (3/3) —	23
3-11. IC Pin Function Description	25
3-12. IC Block Diagrams	27
4. EXPLODED VIEWS	
4-1. Front Panel Section	29
4-2. Chassis Section	30
5. ELECTRICAL PARTS LIST	31

ATTENTION AU COMPOSANT AYANT RAPPORT À LA SÉCURITÉ!

LES COMPOSANTS IDENTIFÉS PAR UNE MARQUE Δ SUR LES DIAGRAMMES SCHÉMATIQUES ET LA LISTE DES PIÈCES SONT CRITIQUES POUR LA SÉCURITÉ DE FONCTIONNEMENT. NE REMPLACER CES COMPOSANTS QUE PAR DES PIÈSES SONY DONT LES NUMÉROS SONT DONNÉS DANS CE MANUEL OU DANS LES SUPPLÉMENTS PUBLIÉS PAR SONY.

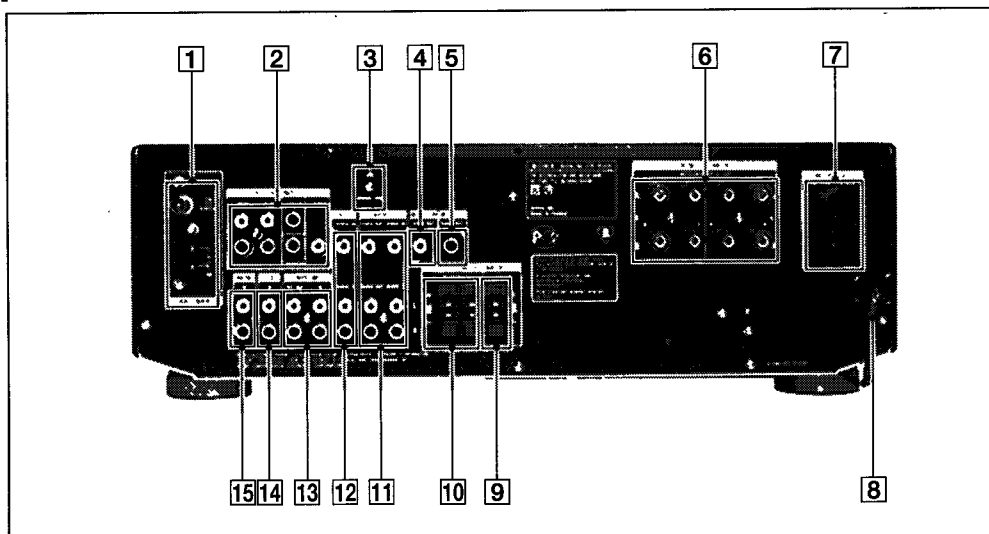
SECTION 1 GENERAL

LOCATION AND FUNCTION OF CONTROLS [FRONT PANEL]



- | | |
|---|--|
| 1 POWER switch (I/⏻) | 17 TUNER button |
| 2 CENTER LEVEL +, - buttons | 18 CD button |
| 3 REAR LEVEL +, - buttons | 19 VIDEO button |
| 4 PRO LOGIC, C.STUDIO, HALL indicators | 20 Numeric buttons |
| 5 5.1/DVD INPUT, BASS BOOST indicators | 21 DIRECT TUNING, SHIFT buttons |
| 6 MASTER VOLUME control | 22 CHARACTER, DISPLAY buttons |
| 7 BALANCE control | 23 MEMORY button |
| 8 TREBLE control | 24 FM/AM button |
| 9 BASS control | 25 PRESET/CHARACTER +, - buttons |
| 10 MUTING button/indicator | 26 FM MODE button |
| 11 SURROUND ON/OFF button | 27 SLEEP button |
| 12 SURROUND EFFECT/DELAY, MODE buttons | 28 TUNING/PTY SELECT +, - buttons |
| 13 SET UP, 5.1/DVD INPUT, BASS BOOST buttons | 29 RDS PTY, EON buttons |
| 14 TV/LD button | 30 PHONES jack |
| 15 TAPE/MD button | 31 SPEAKERS A, B ON/OFF buttons |
| 16 PHONO button | |

[REAR PANEL]



- | | |
|-------------------------------|-------------------------------------|
| 1 ANTENNA (FM/AM) | 9 SURROUND SPEAKERS (CENTER) |
| 2 5.1/DVD INPUT | 10 SURROUND SPEAKERS (REAR) |
| 3 ⚡ SIGNAL GND | 11 VIDEO |
| 4 MONITOR | 12 TV/LD |
| 5 WOOFER | 13 TAPE/MD |
| 6 FRONT SPEAKERS (A/B) | 14 CD |
| 7 AC OUTLET | 15 PHONO |
| 8 AC power cord | |

SECTION 2 TEST MODE

INITIALIZATION MODE

* All preset contents are cleared when this mode is activated. Use this mode before returning the product to clients upon completion of repair.

* Procedure:

While depressing the VIDEO and the TAPE/MD buttons simultaneously, press the power [I/⏻] button to turn on the main power. The message INITIAL appears and initialization is performed.

FLUORESCENT INDICATOR TUBE TEST MODE

* All fluorescent segments are tested. When this test is activated, all segments turn on at the same time, then each segment turns on one after another.

* Procedure:

While depressing the TV/LD and the BASS BOOST buttons simultaneously, press the power [I/⏻] button to turn on the main power. All segments turn on at the same time, then each segment turns on one after another. The message FINISH appears when this test is complete.

AUTO-BETICAL CHECK MODE

* To auto-scanning FM board and memorise RDS station. (FM/RDS model only)

* Procedure:

While depressing the MEMORY button, press the power [I/⏻] button to turn on the main power. The message AUTO BET appears and each function is selected one after another.

AM CHANNEL STEP 9 kHz/10 kHz SELECTION MODE

* Either the 9 kHz step or 10 kHz step can be selected for the AM channel step. (US, CND and E model only)

* Procedure:

Set the FUNCTION to AM. Turn off the main power.

While depressing the TUNING+ button, press the power [I/⏻] button to turn on the main power. Either the message 9k STEP or 10k STEP appears. Select the desired step.

REAR SPEAKER GAIN UP MODE

* The rear speaker gain can be set to either NORMAL or GAIN UP.

* Procedure:

While depressing the -SURROUND- MODE button, press the power [I/⏻] button to turn on the main power. Either the message NORMAL or GAIN UP appears. When the product enters this mode again, the other gain appears. Select the desired gain.

SOFTWARE VERSION DISPLAY MODE

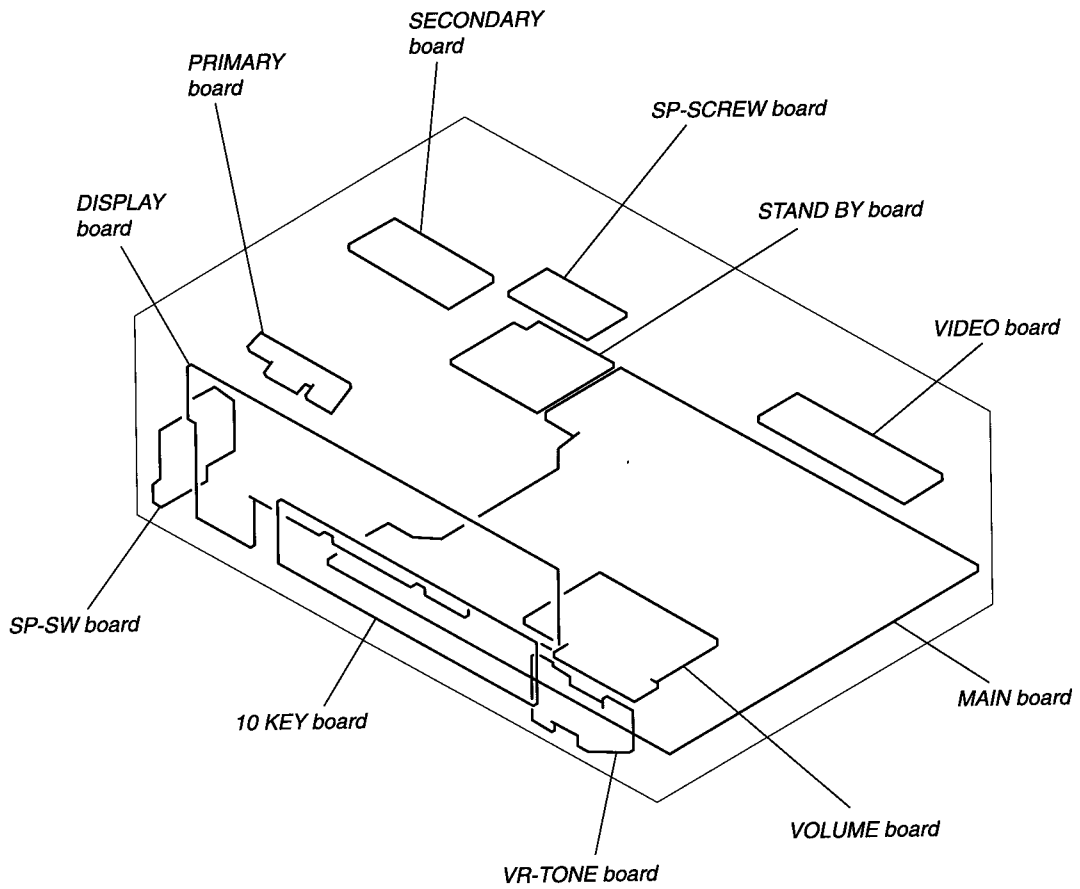
* The software version is displayed.

* Procedure:

While depressing the TUNER and the BASS BOOST buttons simultaneously, press the power [I/⏻] button to turn on the main power. The software version is displayed.

SECTION 3 DIAGRAMS

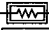
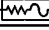

3-1. CIRCUIT BOARDS LOCATION







THIS NOTE IS COMMON FOR PRINTED WIRING BOARDS AND SCHEMATIC DIAGRAMS.
(In addition to this necessary note is printed in each block.)

For schematic diagrams.

Note:

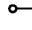

- All capacitors are in μF unless otherwise noted. pF : $\mu\mu\text{F}$
 50 WV or less are not indicated except for electrolytics and tantalums.
- All resistors are in Ω and $\frac{1}{4}\text{ W}$ or less unless otherwise specified.
- % : indicates tolerance.
- Δ : internal component.
-  : nonflammable resistor.
-  : fusible resistor.
-  : panel designation.

<p>Note: The components identified by mark Δ or dotted line with mark Δ are critical for safety. Replace only with part number specified.</p>	<p>Note: Les composants identifiés par une marque Δ sont critiques pour la sécurité. Ne les remplacer que par une pièce portant le numéro spécifié.</p>
---	---

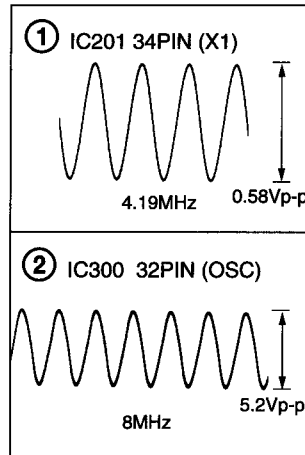
-  : B+ Line.
-  : B- Line.
-  : adjustment for repair.
- Voltages and waveforms are dc with respect to ground under no-signal (detuned) conditions.
 No mark : FM
- Voltages are taken with a VOM (Input impedance $10\text{ M}\Omega$). Voltage variations may be noted due to normal production tolerances.
- Waveforms are taken with an oscilloscope.
- Circled numbers refer to waveforms.
- Signal path.
 : FM
- Abbreviation
 CND : Canadian
 EE : East European
 AUS : Australian
 CH : Chinese
 G : German
 MY : Malaysia
 SP : Singapore

For printed wiring boards.

Note:

-  : parts extracted from the component side.
- \circ : Through hole.
- Δ : internal component.
-  : Pattern from the side which enables seeing.

• Waveform



3-11. IC PIN FUNCTION DESCRIPTION

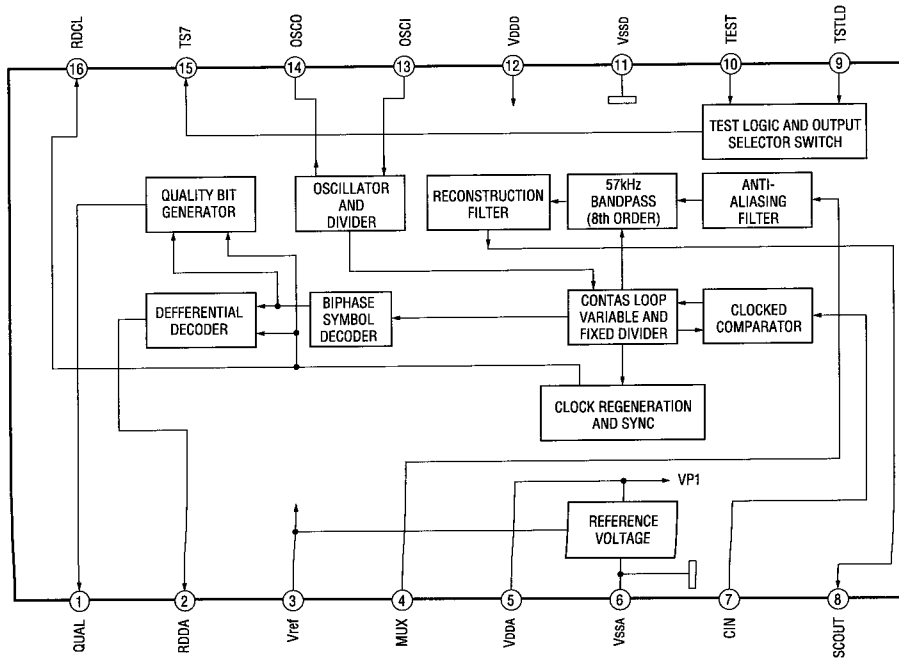
• IC201 μ PD78044FGF-112-3B9

Pin No.	Pin Name	I/O	Description
1	DIG7	O	Fluorescent indicator tube drive.
2	DIG6	O	
3	DIG5	O	
4	DIG4	O	
5	DIG3	O	
6	DIG2	O	
7	DIG1	O	
8	+5V	—	Power supply (+5V).
9	$\overline{\text{S. CLK}}$	O	System clock.
10	$\overline{\text{S. DATA}}$	O	System data.
11	$\overline{\text{PLL. DATA}}$	I	PLL data input from TU001.
12	S. CE (LC7288)	O	Chip enable output.
13	S. CE (LV100)	O	Chip enable output.
14	REAR-R	O	Input for model select.
15	BRIDGE	O	Relay control.
16	$\overline{\text{PROTECT}}$	I	Relay control.
17	$\overline{\text{RESET}}$	I	System reset terminal.
18	$\overline{\text{AUTO-STOP}}$	I	Auto stop detect input.
19	$\overline{\text{STEREO-IN}}$	I	Stereo detect input.
20	AVss	—	Ground.
21	SP-RY	O	Speaker relay drive.
22	SURR-RY	O	Surround Relay.
23	POWER-RY	O	Power relay drive.
24	AVss	—	Ground.
25	SIGNAL	I	A/D signal input terminal.
26	A/D3	I	A/D3 key input terminal.
27	A/D2	I	A/D2 key input terminal.
28	A/D1	I	A/D1 key input terminal.
29	AVDD	—	Power supply (+5V).
30	AV. REF	—	Reference voltage (+5V).
31	GND	—	Ground.
32	NC	—	Not used (Open).
33	Vss	—	Ground.
34	X1	O	System clock (4.19MHz).
35	X2	I	System clock (4.19MHz).
36	IC. MUTE	O	Mute drive output for NJM2279 (IC251).
37	$\overline{\text{PROLOGIC}}$	O	Plologic LED.
38	$\overline{\text{SIMULATED}}$	O	CINEMA STUDIO LED.
39	$\overline{\text{HALL}}$	O	HALL LED.
40	T. MUTE	O	Tuner mute drive output.

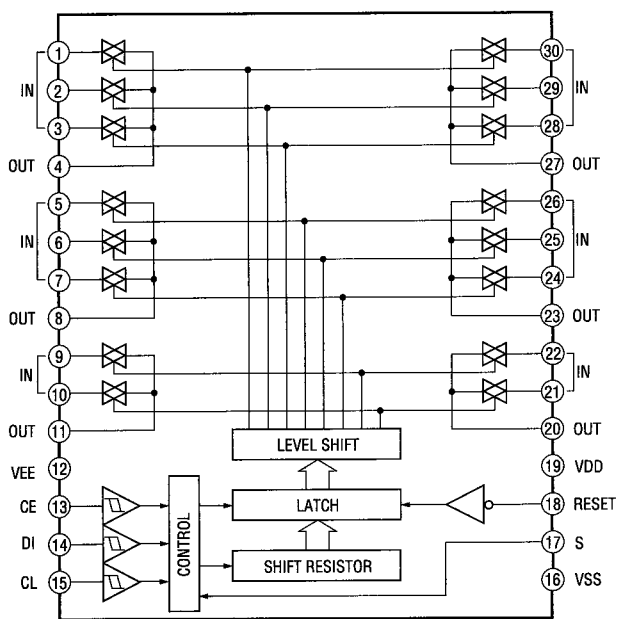
Pin No.	Pin Name	I/O	Description
41	VOLUME UP	O	Volume up.
42	VOLUME DOWN	O	Volume down.
43	NC	—	Not used. (Open)
44	$\overline{\text{SYS. POWER}}$	I	System power ON/OFF.
45	RDS. DATA. IN	I	RDS data input.
46	RDS. CLK. IN	I	RDS clock input.
47	$\overline{\text{STOP}}$	I	Stop signal input from NJM2103D (IC950).
48	V _{ss}	—	Ground.
49	$\overline{\text{SIRCS}}$	I	Sircs signal input.
50	$\overline{\text{MUTING}}$	O	Muting LED drive.
51	5.1ch LED	O	5.1ch LED drive.
52	+5V	—	Power supply (+5V).
53	BASS BOOST	O	Bass boost LED drive.
54	FUNC. MUTE	O	Line mute drive.
55	SL MUTE	O	SL mute drive.
56	VERSION	I	Input for model select.
57	K14	I	Key in 4.
58	K13	I	Key in 3.
59	K12	I	Key in 2.
60	K11	I	Key in 1.
61	SR MUTE	O	SR mute drive.
62	S15	O	Key out 15.
63	S14	O	Key out 14.
64	S13	O	Key out 13.
65	S12	O	Key out 12.
66	S11	O	Key out 11.
67	S10	O	Key out 10.
68	S9	O	Key out 9.
69	S8	O	Key out 8.
70	S7	O	Key out 7.
71	VLOAD	—	Connect to -24V.
72	S6	O	Key out 6.
73	S5	O	Key out 5.
74	S4	O	Key out 4.
75	S3	O	Key out 3.
76	S2	O	Key out 2.
77	S1	O	Key out 1.
78	DIG10	O	Fluorescent indicator tube drive.
79	DIG9	O	
80	DIG8	O	

3-12. IC BLOCK DIAGRAMS
• IC BLOCK DIAGRAMS

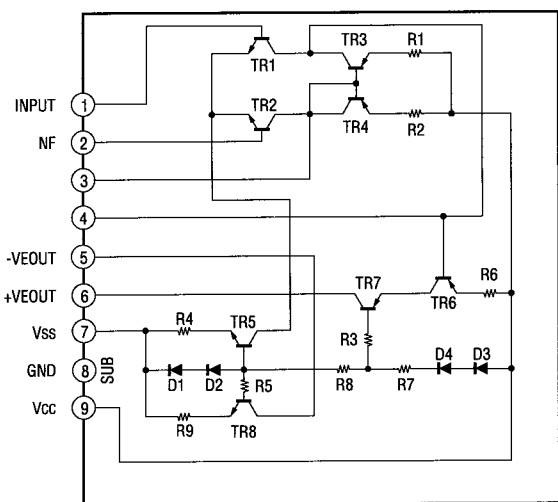
IC1 BU1922



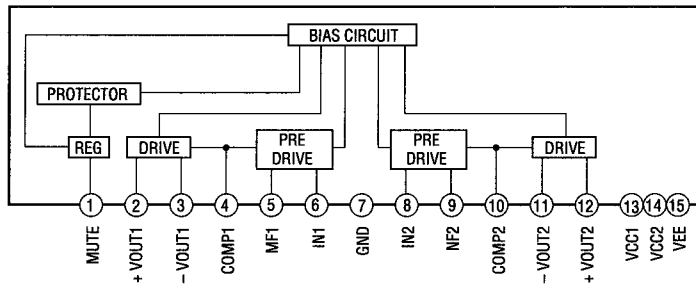
IC401, IC500 LC7822



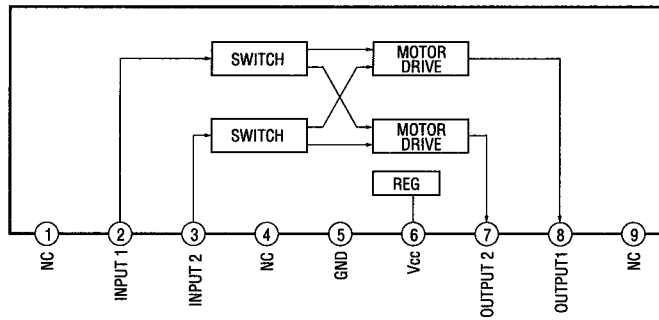
IC551 STK350-230



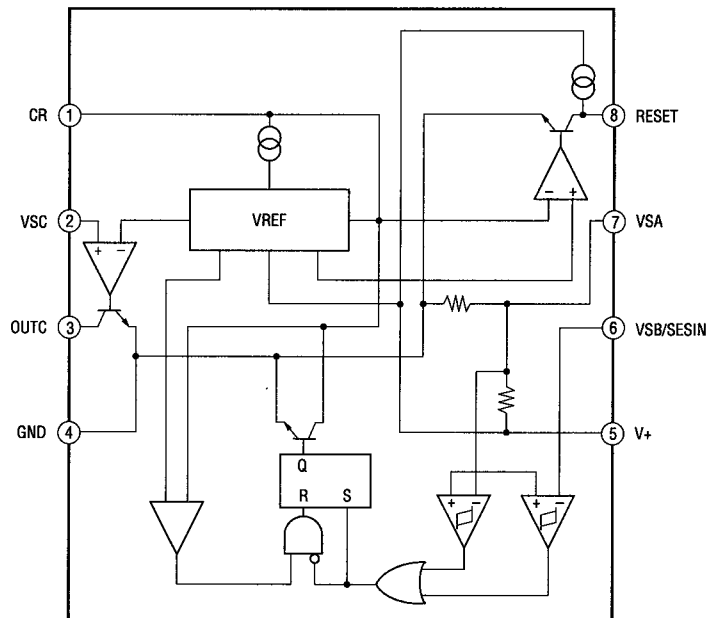
IC701 uPC2581V



IC202 BA6208



IC950 NJM2103D



SECTION 4 EXPLODED VIEWS

NOTE:

- -XX, -X mean standardized parts, so they may have some differences from the original one.
- Items marked "*" are not stocked since they are seldom required for routine service. Some delay should be anticipated when ordering these items.
- The mechanical parts with no reference number in the exploded views are not supplied.

- Hardware (# mark) list and accessories and packing materials are given in the last of this parts list.
- Abbreviation
 CND : Canadian G : German
 EE : East European MY : Malaysia
 AUS : Australian SP : Singapore
 CH : Chinese

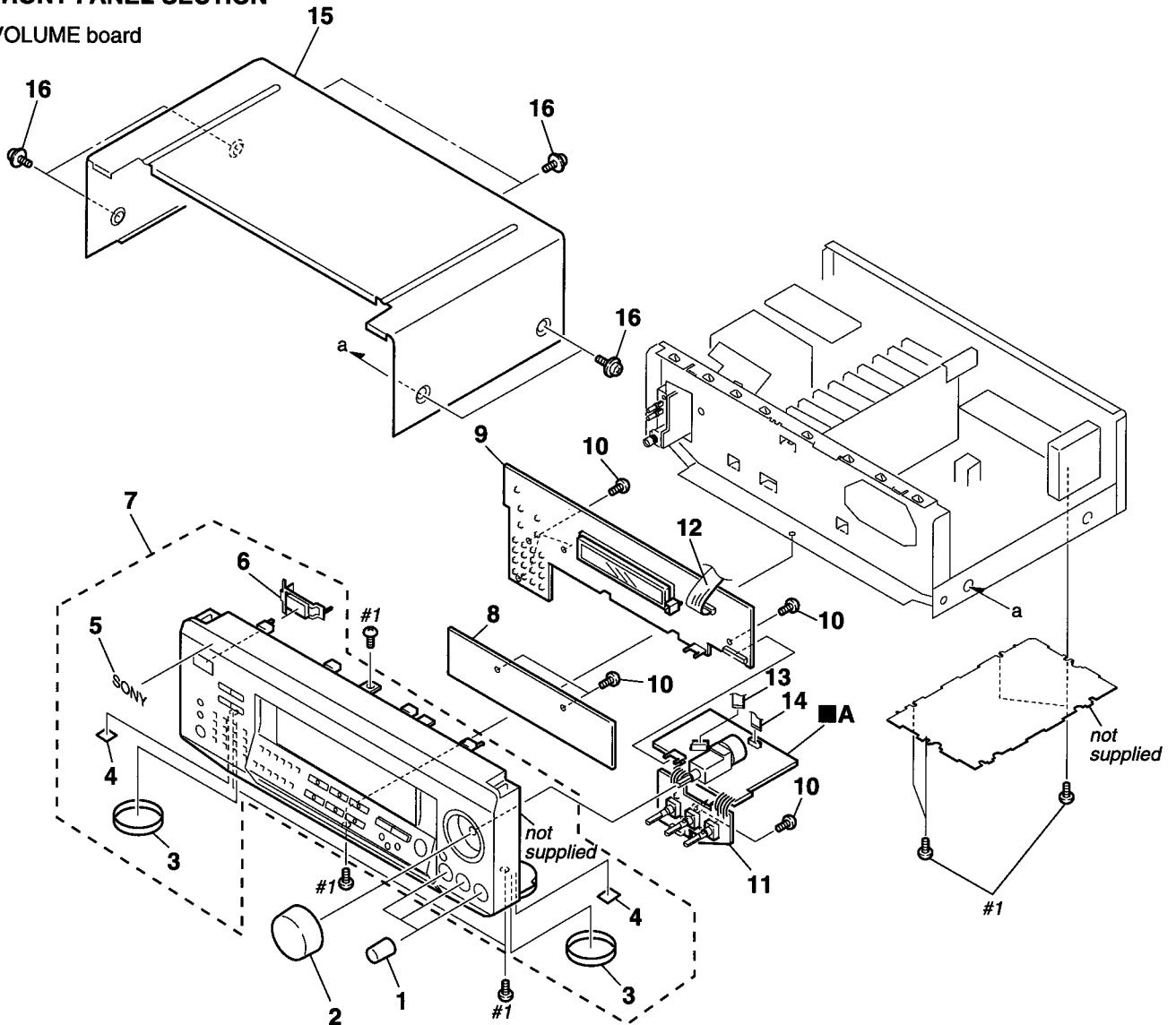
When indicating parts by reference number, please include the board name.

The components identified by mark Δ or dotted line with mark Δ are critical for safety. Replace only with part number specified.

Les composants identifiés par une marque Δ sont critiques pour la sécurité. Ne les remplacer que par une pièce portant le numéro spécifié.

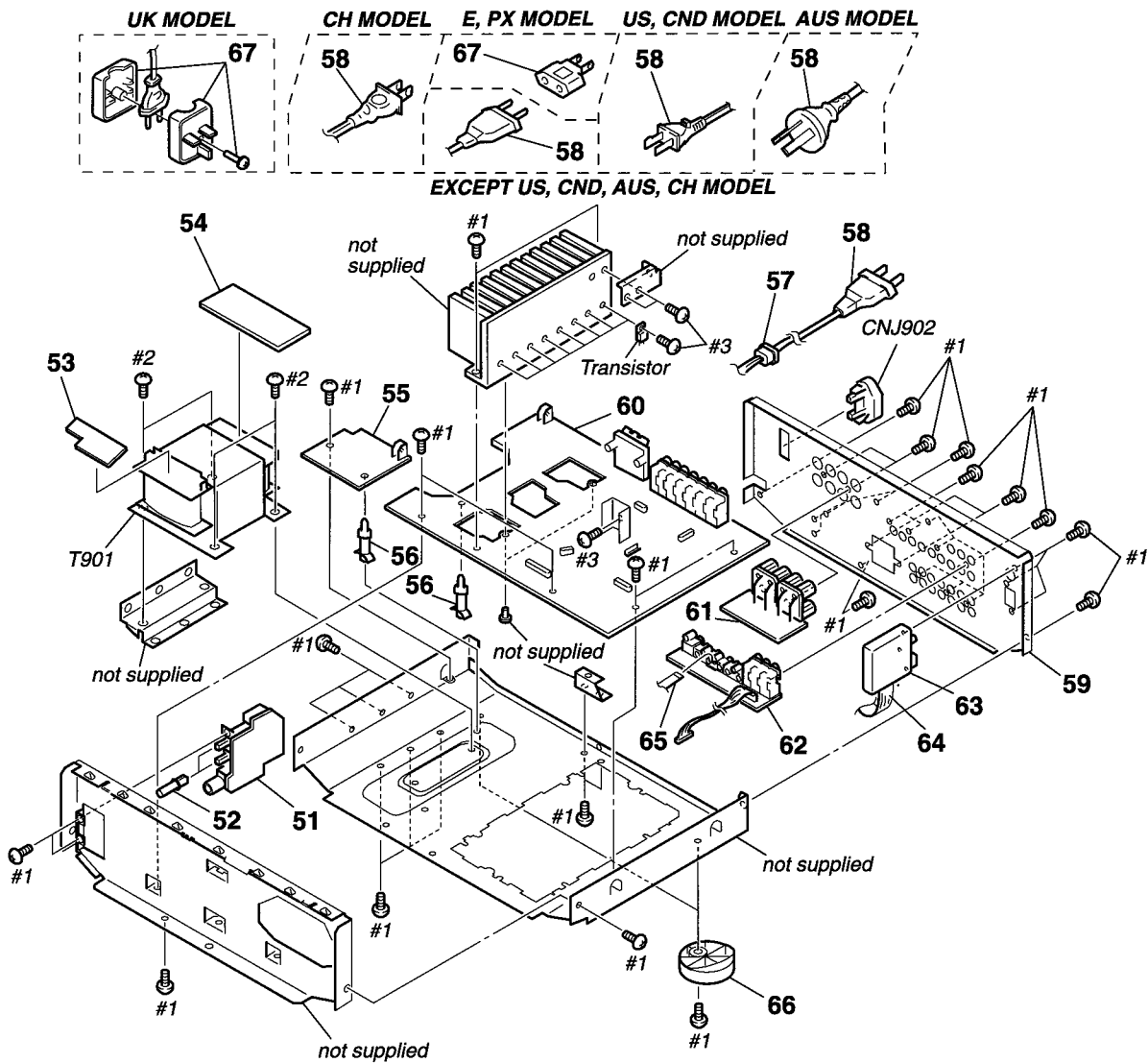
4-1. FRONT PANEL SECTION

■A : VOLUME board



Ref. No.	Part No.	Description	Remarks	Ref. No.	Part No.	Description	Remarks
1	4-998-717-01	KNOB (BAL)		* 9	A-4407-534-A	DISPLAY BOARD, COMPLETE(E,SP,MY,CH)	
2	X-4949-627-1	KNOB (VOL) ASSY		* 9	A-4407-537-A	DISPLAY BOARD, COMPLETE(AEP,UK,G)	
3	4-977-593-11	RING(DIA.50),ORNAMENTAL(EXCEPT US,CND)		* 9	A-4407-995-A	DISPLAY BOARD, COMPLETE(EE)	
4	4-977-358-11	CUSHION (US,CND)		10	4-951-620-01	SCREW (2.6X8), +BVTP	
5	4-996-698-01	EMBLEM, SONY		* 11	A-4407-451-A	VR-TONE BOARD, COMPLETE (US,CND,AUS,E,SP,MY,CH)	
6	4-998-189-01	BUTTON (P-T)		* 11	A-4407-539-A	VR-TONE BOARD, COMPLETE(AEP,UK,G,EE)	
7	X-4949-624-1	FRONT PANEL ASSY (US,CND)		12	1-782-086-11	WIRE (FLAT TYPE) (27 CORE)	
7	X-4949-676-1	FRONT PANEL ASSY (AUS)		13	1-769-911-11	WIRE (FLAT TYPE) (9 CORE)	
7	X-4949-677-1	FRONT PANEL ASSY (AEP,UK,G,EE)		14	1-769-972-11	WIRE (FLAT TYPE) (13 CORE)	
7	X-4949-683-1	FRONT PANEL ASSY (E,SP,MY,CH)		* 15	4-998-206-01	CASE (413226)	
* 8	1-669-276-11	10 KEY BOARD		16	3-710-901-11	SCREW (CASE) (M3X8)	
* 9	A-4407-449-A	DISPLAY BOARD, COMPLETE(US,CND)					
* 9	A-4407-531-A	DISPLAY BOARD, COMPLETE(AUS)					

4-2. CHASSIS SECTION



Ref. No.	Part No.	Description	Remarks	Ref. No.	Part No.	Description	Remarks
* 51	1-669-282-11	SP-SW BOARD		* 60	A-4407-535-A	MAIN BOARD, COMPLETE (E,SP,MY,CH)	
52	4-951-801-03	BUTTON (S)		* 60	A-4407-545-A	MAIN BOARD, COMPLETE(AEP,UK,G,EE)	
* 53	1-669-280-11	PRIMARY BOARD		* 61	1-669-284-11	SP-SCREW BOARD (AEP,UK,G,EE,E,SP,MY,CH)	
* 54	1-669-281-11	SECONDARY BOARD		* 62	1-669-283-11	VIDEO BOARD	
* 55	1-669-279-11	STAND BY BOARD		63	1-693-407-41	TUNER (US,CND)	
* 56	4-954-051-51	HOLDER, PC BOARD		63	1-693-408-41	TUNER (AUS,AEP,UK,G,E,SP,MY,CH)	
* 57	3-703-244-00	BUSHING (2104), CORD		63	1-693-411-41	TUNER (EE)	
△ 58	1-777-071-21	CORD, POWER (EXCEPT US,CND,AUS,CH)		64	1-782-080-11	WIRE (FLAT TYPE) (15 CORE)	
△ 58	1-696-847-21	CORD, POWER (AUS)		65	1-782-074-11	WIRE (FLAT TYPE) (7 CORE)	
△ 58	1-777-071-11	CORD, POWER (CH)		66	X-4947-207-1	FOOT ASSY (F50150S)(EXCEPT US,CND)	
△ 58	1-783-204-11	CORD, POWER (US,CND)		66	X-4947-208-1	FOOT ASSY (F50150S)(US,CND)	
* 59	4-998-205-01	BACK PANEL (E4)(US)		67	1-569-008-21	ADAPTOR, CONVERSION 2P (E)	
* 59	4-998-205-11	BACK PANEL (E4)(CND)		67	1-770-019-11	ADAPTOR, CONVERSION 3P (UK)	
* 59	4-998-205-21	BACK PANEL (E4)(AUS)		△ CNJ902	1-251-416-11	OUTLET, AC (AUS)	
* 59	4-998-205-31	BACK PANEL (E4)(E,SP,MY)		△ CNJ902	1-526-794-11	OUTLET, AC (AEP,G,EE,E,SP,MY,CH)	
* 59	4-998-205-41	BACK PANEL (E4)(CH)		△ T901	1-431-267-11	TRANSFORMER, POWER (US)	
* 59	4-998-205-61	BACK PANEL (E4)(EE)		△ T901	1-431-268-11	TRANSFORMER, POWER (CND)	
* 59	4-998-205-51	BACK PANEL (E4)(AEP,UK,G)		△ T901	1-431-270-11	TRANSFORMER, POWER (AUS)	
* 60	A-4407-457-A	MAIN BOARD, COMPLETE (US)		△ T901	1-431-791-11	TRANSFORMER, POWER (AEP,UK,G,EE)	
* 60	A-4407-530-A	MAIN BOARD, COMPLETE (CND)		△ T901	1-431-792-11	TRANSFORMER, POWER (E,SP,MY,CH)	
* 60	A-4407-533-A	MAIN BOARD, COMPLETE (AUS)					

The components identified by mark △ or dotted line with mark △ are critical for safety. Replace only with part number specified.

Les composants identifiés par une marque △ sont critiques pour la sécurité. Ne les remplacer que par une pièce portant le numéro spécifié.

SECTION 5 ELECTRICAL PARTS LIST

DISPLAY

NOTE:

When indicating parts by reference number, please include the board name.

The components identified by mark Δ or dotted line with mark Δ are critical for safety. Replace only with part number specified.

Les composants identifiés par une marque Δ sont critiques pour la sécurité. Ne les remplacer que par une pièce portant le numéro spécifié.

- Due to standardization, replacements in the parts list may be different from the parts specified in the diagrams or the components used on the set.

- -XX, -X mean standardized parts, so they may have some difference from the original one.
- Items marked "*" are not stocked since they are seldom required for routine service. Some delay should be anticipated when ordering these items.
- CAPACITORS:
uF: μ F
- RESISTORS
All resistors are in ohms.
METAL: metal-film resistor
METAL OXIDE: Metal Oxide-film resistor
F: nonflammable

- COILS
uH: μ H
- SEMICONDUCTORS
In each case, u: μ , for example:
uA...: μ A... , uPA... , μ PA... ,
uPB... , μ PB... , uPC... , μ PC... ,
uPD... , μ PD...
- Abbreviation
CND : Canadian G : German
EE : East European MY : Malaysia
AUS : Australian SP : Singapore
CH : Chinese

Ref. No.	Part No.	Description	Remarks	Ref. No.	Part No.	Description	Remarks
*	A-4407-449-A	DISPLAY BOARD, COMPLETE (US,CND) *****		D237	8-719-046-39	DIODE SEL5821A-TH15 (PROLOGIC)	
*	A-4407-531-A	DISPLAY BOARD, COMPLETE (AUS) *****		D239	8-719-046-39	DIODE SEL5821A-TH15 (BASS BOOST)	
*	A-4407-534-A	DISPLAY BOARD, COMPLETE (E,SP,MY,CH) *****				< FLUORESCENT >	
*	A-4407-537-A	DISPLAY BOARD, COMPLETE (AEP,UK,G) *****		FL201	1-517-662-11	INDICATOR TUBE, FLUORESCENT	
*	A-4407-995-A	DISPLAY BOARD, COMPLETE (EE) *****				< IC >	
*	4-921-941-01	CUSHION (FL)		IC201	8-759-526-68	IC uPD78044FGF-112-3B9	
*	4-943-107-11	HOLDER (FL TUBE)		IC202	8-759-962-08	IC BA6208	
		< CAPACITOR >		IC203	8-759-332-18	IC GP1U27XB	
C201	1-104-905-11	CAPACITOR	0.22F			< COIL >	
C202	1-164-159-11	CERAMIC	0.1uF				
C203	1-124-465-00	ELECT	0.47uF				
C204	1-164-159-11	CERAMIC	0.1uF				
C205	1-162-294-31	CERAMIC	0.001uF				
C206	1-164-159-11	CERAMIC	0.1uF				
C207	1-126-096-11	ELECT	10uF				
C208	1-126-964-11	ELECT	10uF				
		< CONNECTOR >		L401	1-410-509-11	INDUCTOR	10uH
CNP205	1-779-366-11	CONNECTOR, BOARD TO BOARD 4P				< TRANSISTOR >	
CNS201	1-569-327-11	SOCKET, CONNECTOR 27P		Q201	8-729-900-63	TRANSISTOR DTA124ES	
CNS202	1-770-402-11	HOUSING, CONNECTOR(PC BOARD)9P		Q202	8-729-900-36	TRANSISTOR DTC124ES	
		< DIODE >		Q230	8-729-119-76	TRANSISTOR 2SA1175-HFE	
D201	8-719-911-19	DIODE 1SS119		Q231	8-729-900-36	TRANSISTOR DTC124ES	
D202	8-719-911-19	DIODE 1SS119				< RESISTOR >	
D203	8-719-911-19	DIODE 1SS119		R200	1-249-433-11	CARBON	22K 5% 1/4W
D204	8-719-911-19	DIODE 1SS119		R201	1-247-903-00	CARBON	1M 5% 1/4W
D211	8-719-911-19	DIODE 1SS119		R202	1-249-429-11	CARBON	10K 5% 1/4W
				R203	1-249-429-11	CARBON	10K 5% 1/4W
D212	8-719-911-19	DIODE 1SS119		R204	1-249-425-11	CARBON	4.7K 5% 1/4W F
D213	8-719-991-33	DIODE 1SS133T-77 (AEP,UK,G,EE)					
D214	8-719-991-33	DIODE 1SS133T-77 (AEP,UK,G,EE)		R205	1-249-441-11	CARBON	100K 5% 1/4W
D215	8-719-911-19	DIODE 1SS119		R206	1-249-433-11	CARBON	22K 5% 1/4W
D216	8-719-911-19	DIODE 1SS119		R207	1-249-433-11	CARBON	22K 5% 1/4W
				R211	1-249-433-11	CARBON	22K 5% 1/4W
D217	8-719-911-19	DIODE 1SS119		R212	1-249-433-11	CARBON	22K 5% 1/4W
D218	8-719-911-19	DIODE 1SS119					
D221	8-719-911-19	DIODE 1SS119 (EE,E,SP,MY,CH)		R216	1-249-433-11	CARBON	22K 5% 1/4W
D222	8-719-911-19	DIODE 1SS119 (AUS,E,SP,MY,CH)		R221	1-247-807-31	CARBON	100 5% 1/4W
D223	8-719-991-33	DIODE 1SS133T-77 (AUS,AEP,UK,G,EE)		R222	1-247-807-31	CARBON	100 5% 1/4W
				R223	1-247-807-31	CARBON	100 5% 1/4W
D224	8-719-911-19	DIODE 1SS119		R224	1-247-807-31	CARBON	100 5% 1/4W
D231	8-719-911-19	DIODE 1SS119					
D234	8-719-046-39	DIODE SEL5821A-TH15 (5.1/DVD INPUT)		R225	1-247-807-31	CARBON	100 5% 1/4W
D235	8-719-046-39	DIODE SEL5821A-TH15 (HALL)		R226	1-249-441-11	CARBON	100K 5% 1/4W
D236	8-719-046-39	DIODE SEL5821A-TH15 (C.STUDIO)		R227	1-249-441-11	CARBON	100K 5% 1/4W
				R228	1-249-406-11	CARBON	120 5% 1/4W F
				R230	1-249-406-11	CARBON	120 5% 1/4W F
				R231	1-249-427-11	CARBON	6.8K 5% 1/4W F
				R270	1-247-807-31	CARBON	100 5% 1/4W
				R283	1-249-427-11	CARBON	6.8K 5% 1/4W F
				R284	1-249-427-11	CARBON	6.8K 5% 1/4W F
				R285	1-249-406-11	CARBON	120 5% 1/4W F

Ref. No.	Part No.	Description	Remarks
R286	1-249-437-11	CARBON	47K 5% 1/4W
R287	1-249-425-11	CARBON	4.7K 5% 1/4W F
RD01	1-249-439-11	CARBON	68K 5% 1/4W (US,CND,AUS,E,SP,MY,CH)
RD02	1-249-439-11	CARBON	68K 5% 1/4W (US,CND,AUS,E,SP,MY,CH)
RD03	1-249-439-11	CARBON	68K 5% 1/4W (US,CND,AUS,E,SP,MY,CH)
RD04	1-249-439-11	CARBON	68K 5% 1/4W (US,CND,AUS,E,SP,MY,CH)
RD05	1-249-439-11	CARBON	68K 5% 1/4W (US,CND,AUS,E,SP,MY,CH)
RD06	1-249-439-11	CARBON	68K 5% 1/4W (US,CND,AUS,E,SP,MY,CH)
RD07	1-249-439-11	CARBON	68K 5% 1/4W (US,CND,AUS,E,SP,MY,CH)
RD08	1-249-439-11	CARBON	68K 5% 1/4W (US,CND,AUS,E,SP,MY,CH)
RD09	1-249-439-11	CARBON	68K 5% 1/4W (US,CND,AUS,E,SP,MY,CH)
RD10	1-249-439-11	CARBON	68K 5% 1/4W (US,CND,AUS,E,SP,MY,CH)
RD11	1-249-439-11	CARBON	68K 5% 1/4W (US,CND,AUS,E,SP,MY,CH)
RD12	1-249-439-11	CARBON	68K 5% 1/4W (US,CND,AUS,E,SP,MY,CH)
RD13	1-249-439-11	CARBON	68K 5% 1/4W (US,CND,AUS,E,SP,MY,CH)
RD14	1-249-439-11	CARBON	68K 5% 1/4W (US,CND,AUS,E,SP,MY,CH)
RD15	1-249-439-11	CARBON	68K 5% 1/4W (US,CND,AUS,E,SP,MY,CH)
RD16	1-249-439-11	CARBON	68K 5% 1/4W (US,CND,AUS,E,SP,MY,CH)
RD17	1-249-439-11	CARBON	68K 5% 1/4W (US,CND,AUS,E,SP,MY,CH)
RD18	1-249-439-11	CARBON	68K 5% 1/4W (US,CND,AUS,E,SP,MY,CH)
RD19	1-249-439-11	CARBON	68K 5% 1/4W (US,CND,AUS,E,SP,MY,CH)
RD20	1-249-439-11	CARBON	68K 5% 1/4W (US,CND,AUS,E,SP,MY,CH)
RD21	1-249-439-11	CARBON	68K 5% 1/4W (US,CND,AUS,E,SP,MY,CH)
RD22	1-249-439-11	CARBON	68K 5% 1/4W (US,CND,AUS,E,SP,MY,CH)
RD23	1-249-439-11	CARBON	68K 5% 1/4W (US,CND,AUS,E,SP,MY,CH)
RD24	1-249-439-11	CARBON	68K 5% 1/4W (US,CND,AUS,E,SP,MY,CH)
RD25	1-249-439-11	CARBON	68K 5% 1/4W (US,CND,AUS,E,SP,MY,CH)
< SWITCH >			
S200	1-762-751-11	SWITCH,TACTILE (POWER)	
S201	1-762-751-11	SWITCH,TACTILE (CENTER LEVEL-)	
S202	1-762-751-11	SWITCH,TACTILE (CENTER LEVEL+)	
S203	1-762-751-11	SWITCH,TACTILE (REAR LEVEL-)	
S204	1-762-751-11	SWITCH,TACTILE (REAR LEVEL+)	

Ref. No.	Part No.	Description	Remarks
S205	1-762-751-11	SWITCH,TACTILE (PTY) (AEP,UK,G,EE)	
S206	1-762-751-11	SWITCH,TACTILE (EON) (AEP,UK,G,EE)	
S207	1-762-751-11	SWITCH,TACTILE (CHARACTER)(AEP,UK,G,EE)	
S208	1-762-751-11	SWITCH,TACTILE (DISPLAY) (AEP,UK,G,EE)	
S209	1-762-751-11	SWITCH,TACTILE (TUNING PTY SELECT-)	
S210	1-762-751-11	SWITCH,TACTILE (TUNING PTY SELECT+)	
S211	1-762-751-11	SWITCH,TACTILE (PRESET CHARACTER-)	
S212	1-762-751-11	SWITCH,TACTILE (PRESET CHARACTER+)	
S213	1-762-751-11	SWITCH,TACTILE (SLEEP)	
S214	1-762-751-11	SWITCH,TACTILE (FM MODE)	
S215	1-762-751-11	SWITCH,TACTILE (FM/AM)	
S216	1-762-751-11	SWITCH,TACTILE (MEMORY)	
< VIBRATOR >			
X201	1-577-101-11	VIBRATOR, CERAMIC 4.19MHz	

*	A-4407-457-A	MAIN BOARD, COMPLETE (US)	

*	A-4407-530-A	MAIN BOARD, COMPLETE (CND)	

*	A-4407-533-A	MAIN BOARD, COMPLETE (AUS)	

*	A-4407-535-A	MAIN BOARD, COMPLETE (E,SP,MY,CH)	

*	A-4407-545-A	MAIN BOARD, COMPLETE (AEP,UK,G,EE)	

	3-905-609-01	SCREW (TRANSISTOR)	
	4-812-134-00	RIVET (DIA. 3.5), NYLON	
	7-685-646-79	SCREW +BVTP 3X8 TYPE2 IT-3	
	7-685-872-09	SCREW +BVTT 3X8 (S)	
< CAPACITOR >			
C3	1-162-286-21	CERAMIC 220PF	10% 50V (AEP,UK,G,EE)
C4	1-126-961-11	ELECT 2.2uF	20% 50V (AEP,UK,G,EE)
C5	1-162-306-11	CERAMIC 0.01uF	20% 16V (AEP,UK,G,EE)
C6	1-162-291-31	CERAMIC 560PF	10% 50V (AEP,UK,G,EE)
C7	1-102-527-11	CERAMIC 82PF	5% 50V (AEP,UK,G,EE)
C8	1-102-852-91	CERAMIC 47PF	5% 50V (AEP,UK,G,EE)
C9	1-126-960-11	ELECT 1uF	20% 50V (AEP,UK,G,EE)
C302	1-126-934-11	ELECT 220uF	20% 10V
C303	1-130-494-11	MYLAR 0.082uF	5% 50V
C304	1-137-367-11	FILM 0.0033uF	5% 50V
C305	1-130-494-11	MYLAR 0.082uF	5% 50V
C306	1-126-959-11	ELECT 0.47uF	20% 50V
C307	1-126-964-11	ELECT 10uF	20% 50V
C308	1-126-964-11	ELECT 10uF	20% 50V
C309	1-162-291-31	CERAMIC 560PF	10% 50V
C310	1-126-962-11	ELECT 3.3uF	20% 50V
C311	1-126-961-11	ELECT 2.2uF	20% 50V
C312	1-126-934-11	ELECT 220uF	20% 10V
C313	1-126-934-11	ELECT 220uF	20% 10V
C314	1-136-165-00	FILM 0.1uF	5% 50V
C316	1-124-252-00	ELECT 0.33uF	20% 50V

Ref. No.	Part No.	Description	Remarks	Ref. No.	Part No.	Description	Remarks
C317	1-164-159-11	CERAMIC	0.1uF 50V	C426	1-126-795-11	ELECT	10uF 20% 25V
C318	1-136-357-11	FILM	680PF 5% 50V	C427	1-162-207-31	CERAMIC	22PF 5% 50V
C322	1-126-962-11	ELECT	3.3uF 20% 50V	C428	1-124-252-00	ELECT	0.33uF 20% 50V
C323	1-136-173-00	FILM	0.47uF 5% 50V	C429	1-130-489-00	MYLAR	0.033uF 5% 50V
C324	1-126-967-11	ELECT	47uF 20% 16V	C430	1-102-973-00	CERAMIC	100PF 5% 50V
C325	1-136-165-00	FILM	0.1uF 5% 50V	C434	1-162-286-31	CERAMIC	220PF 10% 50V
C326	1-136-165-00	FILM	0.1uF 5% 50V	C435	1-162-286-31	CERAMIC	220PF 10% 50V
C327	1-126-959-11	ELECT	0.47uF 20% 50V	C451	1-162-286-21	CERAMIC	220PF 10% 50V
C328	1-126-963-11	ELECT	4.7uF 20% 50V	C452	1-126-962-11	ELECT	3.3uF 20% 50V (AEP,UK,G,EE)
C329	1-126-959-11	ELECT	0.47uF 20% 50V				(AEP,UK,G,EE)
C330	1-126-963-11	ELECT	4.7uF 20% 50V	C453	1-126-966-11	ELECT	33uF 20% 16V (AEP,UK,G,EE)
C331	1-124-250-11	ELECT	0.15uF 20% 50V	C454	1-162-286-21	CERAMIC	220PF 10% 50V (AEP,UK,G,EE)
C332	1-126-962-11	ELECT	3.3uF 20% 50V	C455	1-137-459-11	FILM	0.0056MF 5% 100V (AEP,UK,G,EE)
C333	1-124-250-11	ELECT	0.15uF 20% 50V	C457	1-137-365-11	FILM	0.0015uF 5% 50V (AEP,UK,G,EE)
C334	1-137-372-11	FILM	0.022uF 5% 50V	C459	1-126-962-11	ELECT	3.3uF 20% 50V (AEP,UK,G,EE)
C335	1-136-161-00	FILM	0.047uF 5% 50V	C460	1-164-159-21	CERAMIC	0.1uF 50V (AEP,UK,G,EE)
C336	1-126-934-11	ELECT	220uF 20% 10V	C475	1-126-795-11	ELECT	10uF 20% 25V
C337	1-126-964-11	ELECT	10uF 20% 50V	C476	1-126-795-11	ELECT	10uF 20% 25V
C338	1-126-964-11	ELECT	10uF 20% 50V	C477	1-162-207-31	CERAMIC	22PF 5% 50V
C339	1-126-964-11	ELECT	10uF 20% 50V	C478	1-124-252-00	ELECT	0.33uF 20% 50V
C340	1-126-964-11	ELECT	10uF 20% 50V	C479	1-130-489-00	MYLAR	0.033uF 5% 50V
C341	1-126-934-11	ELECT	220uF 20% 10V	C480	1-102-973-00	CERAMIC	100PF 5% 50V
C342	1-126-962-11	ELECT	3.3uF 20% 50V	C492	1-124-464-11	ELECT	0.22uF 20% 50V
C343	1-126-962-11	ELECT	3.3uF 20% 50V	C500	1-164-159-11	CERAMIC	0.1uF 50V
C344	1-136-165-00	FILM	0.1uF 5% 50V	C501	1-162-294-31	CERAMIC	0.001uF 10% 50V
C345	1-136-165-00	FILM	0.1uF 5% 50V	C503	1-162-282-31	CERAMIC	100PF 10% 50V
C346	1-126-959-11	ELECT	0.47uF 20% 50V	C511	1-126-963-11	ELECT	4.7uF 20% 50V
C347	1-126-963-11	ELECT	4.7uF 20% 50V	C512	1-126-963-11	ELECT	4.7uF 20% 50V
C348	1-126-959-11	ELECT	0.47uF 20% 50V	C513	1-126-963-11	ELECT	4.7uF 20% 50V
C349	1-126-963-11	ELECT	4.7uF 20% 50V	C514	1-126-960-11	ELECT	1uF 20% 50V
C350	1-124-250-11	ELECT	0.15uF 20% 50V	C515	1-164-159-11	CERAMIC	0.1uF 50V
C351	1-126-962-11	ELECT	3.3uF 20% 50V	C516	1-126-963-11	ELECT	4.7uF 20% 50V
C352	1-124-250-11	ELECT	0.15uF 20% 50V	C517	1-162-193-31	CERAMIC	3.3PF 10% 50V
C357	1-164-159-11	CERAMIC	0.1uF 50V	C552	1-162-282-31	CERAMIC	100PF 10% 50V
C359	1-126-963-11	ELECT	4.7uF 20% 50V	C553	1-126-933-11	ELECT	100uF 20% 10V
C360	1-126-963-11	ELECT	4.7uF 20% 50V	C554	1-102-937-00	CERAMIC	4.0PF +-0.25PF50V
C370	1-164-159-11	CERAMIC	0.1uF 50V	C555	1-102-989-00	CERAMIC	68PF 5% 500V
C371	1-126-966-11	ELECT	33uF 20% 16V	C556	1-102-989-00	CERAMIC	68PF 5% 500V
C401	1-162-286-21	CERAMIC	220PF 10% 50V (AEP,UK,G,EE)	C560	1-126-967-11	ELECT	47uF 20% 16V
C402	1-126-962-11	ELECT	3.3uF 20% 50V (AEP,UK,G,EE)	C561	1-137-372-11	FILM	0.022uF 5% 50V
C403	1-126-966-11	ELECT	33uF 20% 16V (AEP,UK,G,EE)	C567	1-162-193-31	CERAMIC	3.3PF 10% 50V
C404	1-162-286-21	CERAMIC	220PF 10% 50V (AEP,UK,G,EE)	C570	1-162-286-31	CERAMIC	220PF 10% 50V
C405	1-137-459-11	FILM	0.0056MF 5% 100V (AEP,UK,G,EE)	C601	1-162-282-31	CERAMIC	100PF 10% 50V
C406	1-164-159-11	CERAMIC	0.1uF 50V	C602	1-162-282-31	CERAMIC	100PF 10% 50V
C407	1-137-365-11	FILM	0.0015uF 5% 50V (AEP,UK,G,EE)	C604	1-104-665-11	ELECT	100uF 20% 16V
C408	1-162-294-31	CERAMIC	0.001uF 10% 50V	C605	1-162-294-31	CERAMIC	0.001uF 10% 50V
C409	1-126-962-11	ELECT	3.3uF 20% 50V (AEP,UK,G,EE)	C610	1-137-372-11	FILM	0.022uF 5% 50V
C410	1-164-159-21	CERAMIC	0.1uF 50V (AEP,UK,G,EE)	C641	1-162-282-31	CERAMIC	100PF 10% 50V
C412	1-162-291-31	CERAMIC	560PF 10% 50V	C642	1-162-282-31	CERAMIC	100PF 10% 50V
C413	1-164-159-11	CERAMIC	0.1uF 50V	C643	1-162-282-31	CERAMIC	100PF 10% 50V
C415	1-164-159-11	CERAMIC	0.1uF 50V	C651	1-162-282-31	CERAMIC	100PF 10% 50V
C416	1-164-159-11	CERAMIC	0.1uF 50V				
C425	1-126-795-11	ELECT	10uF 20% 25V				

Ref. No.	Part No.	Description	Remarks	Ref. No.	Part No.	Description	Remarks
D817	8-719-933-61	DIODE HZS9C3LTD		Q570	8-729-140-82	TRANSISTOR 2SA988-PAFAEA	
D818	8-719-911-19	DIODE 1SS119		Q610	8-729-119-78	TRANSISTOR 2SC403SP-51	
D901	8-719-911-19	DIODE 1SS119		Q701	8-729-119-76	TRANSISTOR 2SA1175-HFE	
		< EARTH >		Q702	8-729-141-30	TRANSISTOR 2SC3623A-LK	
* G200	1-537-738-21	TERMINAL, EARTH		Q703	8-749-010-25	IC MN2488-OPY-M	
* G201	1-537-738-21	TERMINAL, EARTH		Q704	8-749-010-26	IC MP1620-OPY-M	
* G202	1-537-738-21	TERMINAL, EARTH		Q710	8-729-119-78	TRANSISTOR 2SC403SP-51	
* G203	1-537-738-21	TERMINAL, EARTH		Q720	8-729-140-82	TRANSISTOR 2SA988-PAFAEA	
		< IC >		Q721	8-729-140-82	TRANSISTOR 2SA988-PAFAEA	
IC1	8-759-450-86	IC BU1922 (AEP,UK,G,EE)		Q722	8-729-140-84	TRANSISTOR 2SC1841-PAFAEA	
IC300	8-759-527-00	IC LV1035M		Q723	8-729-119-78	TRANSISTOR 2SC403SP-51	
IC302	8-759-636-74	IC M5218AP-22		Q751	8-729-119-76	TRANSISTOR 2SA1175-HFE	
IC401	8-759-805-14	IC LC7822		Q752	8-729-141-30	TRANSISTOR 2SC3623A-LK	
IC402	8-759-636-74	IC M5218AP-22 (AEP,UK,G,EE)		Q753	8-749-010-25	IC MN2488-OPY-M	
IC404	8-759-636-74	IC M5218AP-22		Q754	8-749-010-26	IC MP1620-OPY-M	
IC500	8-759-805-14	IC LC7822		Q770	8-729-140-82	TRANSISTOR 2SA988-PAFAEA	
IC501	8-759-636-74	IC M5218AP-22		Q801	8-729-140-97	TRANSISTOR 2SB734-34	
IC502	8-759-636-74	IC M5218AP-22		Q802	8-729-119-78	TRANSISTOR 2SC403SP-51	
IC551	8-749-011-16	IC STK350-230		Q808	8-729-209-15	TRANSISTOR 2SD2012	
IC601	8-759-085-89	IC LM3875-S		Q809	8-729-119-78	TRANSISTOR 2SC403SP-51	
IC651	8-759-085-89	IC LM3875-S		Q951	8-729-209-15	TRANSISTOR 2SD2012	
IC701	8-759-326-52	IC uPC2581V				< RESISTOR >	
IC801	8-759-604-40	IC M5F78M15		R5	1-249-421-11	CARBON 2.2K	5% 1/4W F
IC802	8-759-604-46	IC M5F79M15		R6	1-247-807-31	CARBON 100	5% 1/4W (AEP,UK,G,EE)
IC950	8-759-333-83	IC NJM2103D		R7	1-247-807-31	CARBON 100	5% 1/4W (AEP,UK,G,EE)
		< JACK >		R300	1-247-903-00	CARBON 1M	5% 1/4W
J401	1-770-614-11	JACK,PIN4P(PHONO/CD) (AEP,UK,G,EE)		R303	1-249-439-11	CARBON 68K	5% 1/4W
J402	1-580-825-11	JACK,PIN6P(TAPE MD/TV/LD)		R304	1-249-411-11	CARBON 330	5% 1/4W
J403	1-770-613-11	JACK,PIN4P(VIDEO)(AEP,UK,G,EE)		R306	1-249-436-11	CARBON 39K	5% 1/4W
J403	1-580-825-11	JACK,PIN6P(VIDEO)(US,CND,AUS,E,SP,MY,CH)		R307	1-247-862-11	CARBON 20K	5% 1/4W
		< COIL >		R308	1-249-421-11	CARBON 2.2K	5% 1/4W F
L1	1-410-521-11	INDUCTOR 100uH (AEP,UK,G,EE)		R309	1-249-421-11	CARBON 2.2K	5% 1/4W F
L301	1-410-509-11	INDUCTOR 10uH		R357	1-249-441-11	CARBON 100K	5% 1/4W
L551	1-420-872-00	COIL, AIR-CORE		R358	1-249-441-11	CARBON 100K	5% 1/4W
L601	1-420-872-00	COIL, AIR-CORE		R359	1-249-425-11	CARBON 4.7K	5% 1/4W F
L651	1-420-872-00	COIL, AIR-CORE		R360	1-249-425-11	CARBON 4.7K	5% 1/4W F
L701	1-420-872-00	COIL, AIR-CORE		R374	1-249-429-11	CARBON 10K	5% 1/4W
L751	1-420-872-00	COIL, AIR-CORE		R375	1-249-429-11	CARBON 10K	5% 1/4W
		< IC LINK >		R397	1-249-419-11	CARBON 1.5K	5% 1/4W F
△ PS800	1-533-588-31	LINK, IC (AEP,UK,G,EE,E,SP,MY,CH)		R399	1-249-426-11	CARBON 5.6K	5% 1/4W
		< TRANSISTOR >		R401	1-249-411-11	CARBON 330	5% 1/4W (AEP,UK,G,EE)
Q367	8-729-119-78	TRANSISTOR 2SC403SP		R402	1-249-421-11	CARBON 2.2K	5% 1/4W F
Q401	8-729-202-67	TRANSISTOR 2SK246-GR3		R403	1-249-417-11	CARBON 1K	5% 1/4W F
Q402	8-729-141-30	TRANSISTOR 2SC3623A-LK		R404	1-249-417-11	CARBON 1K	5% 1/4W F
Q451	8-729-202-67	TRANSISTOR 2SK246-GR3		R405	1-249-417-11	CARBON 1K	5% 1/4W F
Q452	8-729-141-30	TRANSISTOR 2SC3623A-LK		R406	1-249-417-11	CARBON 1K	5% 1/4W F
Q551	8-729-119-76	TRANSISTOR 2SA1175-HFE		R407	1-249-417-11	CARBON 1K	5% 1/4W F
Q552	8-729-141-30	TRANSISTOR 2SC3623A-LK		R408	1-249-429-11	CARBON 10K	5% 1/4W
Q553	8-749-010-25	IC MN2488-OPY-M		R409	1-249-437-11	CARBON 47K	5% 1/4W (AEP,UK,G,EE)
Q554	8-749-010-26	IC MP1620-OPY-M					
Q560	8-729-119-78	TRANSISTOR 2SC403SP-51					

The components identified by mark △ or dotted line with mark △ are critical for safety. Replace only with part number specified.	Les composants identifiés par une marque △ sont critiques pour la sécurité. Ne les remplacer que par une pièce portant le numéro spécifié.
--	--

MAIN

Ref. No.	Part No.	Description	Remarks	Ref. No.	Part No.	Description	Remarks
R410	1-247-897-11	CARBON	560K 5% 1/4W (AEP,UK,G,EE)	R478	1-249-417-11	CARBON	1K 5% 1/4W F
R411	1-249-416-11	CARBON	820 5% 1/4W F (AEP,UK,G,EE)	R480	1-249-437-11	CARBON	47K 5% 1/4W
R412	1-247-897-11	CARBON	560K 5% 1/4W (AEP,UK,G,EE)	R481	1-247-843-11	CARBON	3.3K 5% 1/4W
R413	1-249-437-11	CARBON	47K 5% 1/4W (AEP,UK,G,EE)	R482	1-247-883-00	CARBON	150K 5% 1/4W
R414	1-249-425-11	CARBON	4.7K 5% 1/4W F	R483	1-249-427-11	CARBON	6.8K 5% 1/4W F
R415	1-249-417-11	CARBON	1K 5% 1/4W F	R484	1-249-413-11	CARBON	470 5% 1/4W F
R416	1-249-417-11	CARBON	1K 5% 1/4W F (AEP,UK,G,EE)	R491	1-249-441-11	CARBON	100K 5% 1/4W
R417	1-247-897-11	CARBON	560K 5% 1/4W (AEP,UK,G,EE)	R492	1-247-903-00	CARBON	1M 5% 1/4W
R420	1-249-441-11	CARBON	100K 5% 1/4W	R494	1-247-903-00	CARBON	1M 5% 1/4W
R426	1-249-429-11	CARBON	10K 5% 1/4W	R501	1-247-843-11	CARBON	3.3K 5% 1/4W
R427	1-249-439-11	CARBON	68K 5% 1/4W	R502	1-249-425-11	CARBON	4.7K 5% 1/4W F
R428	1-249-417-11	CARBON	1K 5% 1/4W F	R503	1-249-429-11	CARBON	10K 5% 1/4W
R430	1-249-437-11	CARBON	47K 5% 1/4W	R504	1-249-425-11	CARBON	4.7K 5% 1/4W F
R431	1-247-843-11	CARBON	3.3K 5% 1/4W	R505	1-249-421-11	CARBON	2.2K 5% 1/4W F
R432	1-247-883-00	CARBON	150K 5% 1/4W	R508	1-249-426-11	CARBON	5.6K 5% 1/4W
R433	1-249-427-11	CARBON	6.8K 5% 1/4W F	R512	1-249-441-11	CARBON	100K 5% 1/4W
R434	1-249-413-11	CARBON	470 5% 1/4W F	R513	1-249-429-11	CARBON	10K 5% 1/4W
R435	1-249-418-11	CARBON	1.2K 5% 1/4W F	R514	1-249-429-11	CARBON	10K 5% 1/4W
R438	1-249-441-11	CARBON	100K 5% 1/4W	R515	1-249-419-11	CARBON	1.5K 5% 1/4W F
R441	1-249-441-11	CARBON	100K 5% 1/4W	R516	1-249-419-11	CARBON	1.5K 5% 1/4W F
R442	1-249-418-11	CARBON	1.2K 5% 1/4W F	R517	1-249-429-11	CARBON	10K 5% 1/4W
R443	1-249-418-11	CARBON	1.2K 5% 1/4W F	R518	1-249-429-11	CARBON	10K 5% 1/4W
R444	1-247-903-00	CARBON	1M 5% 1/4W	R519	1-249-429-11	CARBON	10K 5% 1/4W
R447	1-249-416-11	CARBON	820 5% 1/4W F	R520	1-249-417-11	CARBON	1K 5% 1/4W F
R448	1-249-429-11	CARBON	10K 5% 1/4W	R551	1-249-417-11	CARBON	1K 5% 1/4W F
R449	1-249-433-11	CARBON	22K 5% 1/4W	R552	1-249-438-11	CARBON	56K 5% 1/4W
R450	1-249-400-11	CARBON	39 5% 1/4W F	R553	1-249-414-11	CARBON	560 5% 1/4W F (AEP,UK,G,EE)
R451	1-249-411-11	CARBON	330 5% 1/4W (AEP,UK,G,EE)	R553	1-249-411-11	CARBON	330 5% 1/4W (US,CND,AUS,E,SP,MY,CH)
R452	1-249-421-11	CARBON	2.2K 5% 1/4W F	R554	1-249-438-11	CARBON	56K 5% 1/4W
R453	1-249-417-11	CARBON	1K 5% 1/4W F	R555	1-249-413-11	CARBON	470 5% 1/4W F
R454	1-249-417-11	CARBON	1K 5% 1/4W F	R560	1-249-421-11	CARBON	2.2K 5% 1/4W F
R455	1-249-417-11	CARBON	1K 5% 1/4W F	R561	1-249-440-11	CARBON	82K 5% 1/4W
R456	1-249-417-11	CARBON	1K 5% 1/4W F	R562	1-249-431-11	CARBON	15K 5% 1/4W
R457	1-249-417-11	CARBON	1K 5% 1/4W F	R563	1-249-414-11	CARBON	560 5% 1/4W F
R458	1-249-429-11	CARBON	10K 5% 1/4W	△ R564	1-249-409-11	CARBON	220 5% 1/4W F (AEP,UK,G,EE)
R459	1-249-437-11	CARBON	47K 5% 1/4W (AEP,UK,G,EE)	△ R564	1-249-408-11	CARBON	180 5% 1/4W F (US,CND,AUS,E,SP,MY,CH)
R460	1-247-897-11	CARBON	560K 5% 1/4W (AEP,UK,G,EE)	△ R565	1-249-409-11	CARBON	220 5% 1/4W F (AEP,UK,G,EE)
R461	1-249-416-11	CARBON	820 5% 1/4W F (AEP,UK,G,EE)	△ R565	1-249-408-11	CARBON	180 5% 1/4W F (US,CND,AUS,E,SP,MY,CH)
R462	1-247-897-11	CARBON	560K 5% 1/4W (AEP,UK,G,EE)	△ R566	1-233-352-21	ENCAPSULATED COMPONENT	
R463	1-249-437-11	CARBON	47K 5% 1/4W (AEP,UK,G,EE)	△ R567	1-249-393-11	CARBON	10 5% 1/4W F
R464	1-247-903-00	CARBON	1M 5% 1/4W	R568	1-249-389-11	CARBON	4.7 5% 1/4W F
R465	1-249-417-11	CARBON	1K 5% 1/4W F	△ R569	1-249-413-11	CARBON	470 5% 1/4W F
R466	1-249-417-11	CARBON	1K 5% 1/4W F (AEP,UK,G,EE)	R570	1-249-419-11	CARBON	1.5K 5% 1/4W F
R467	1-247-897-11	CARBON	560K 5% 1/4W (AEP,UK,G,EE)	R571	1-249-427-11	CARBON	6.8K 5% 1/4W F
R469	1-247-903-00	CARBON	1M 5% 1/4W	R573	1-249-437-11	CARBON	47K 5% 1/4W
R470	1-249-441-11	CARBON	100K 5% 1/4W	R580	1-249-426-11	CARBON	5.6K 5% 1/4W
R476	1-249-429-11	CARBON	10K 5% 1/4W	R581	1-247-887-00	CARBON	220K 5% 1/4W
R477	1-249-439-11	CARBON	68K 5% 1/4W	R582	1-249-426-11	CARBON	5.6K 5% 1/4W
				R601	1-249-417-11	CARBON	1K 5% 1/4W F
				R602	1-249-438-11	CARBON	56K 5% 1/4W
				R603	1-249-438-11	CARBON	56K 5% 1/4W
				R604	1-249-414-11	CARBON	560 5% 1/4W F (AEP,UK,G,EE)

The components identified by mark △ or dotted line with mark △ are critical for safety. Replace only with part number specified.	Les composants identifiés par une marque △ sont critiques pour la sécurité. Ne les remplacer que par une pièce portant le numéro spécifié.
--	--

MAIN

Ref. No.	Part No.	Description	Quantity	Material	Remarks	Ref. No.	Part No.	Description	Quantity	Material	Remarks
R604	1-249-411-11	CARBON	330	5%	1/4W (US,CND,AUS,E,SP,MY,CH)	R761	1-249-440-11	CARBON	82K	5%	1/4W
△ R610	1-249-393-11	CARBON	10	5%	1/4W F	R763	1-249-414-11	CARBON	560	5%	1/4W F
R611	1-249-389-11	CARBON	4.7	5%	1/4W F	△ R764	1-249-409-11	CARBON	220	5%	1/4W F (AEP,UK,G,EE)
R612	1-249-437-11	CARBON	47K	5%	1/4W	△ R764	1-249-408-11	CARBON	180	5%	1/4W F (US,CND,AUS,E,SP,MY,CH)
△ R619	1-249-413-11	CARBON	470	5%	1/4W F	△ R765	1-249-409-11	CARBON	220	5%	1/4W F (AEP,UK,G,EE)
R630	1-249-426-11	CARBON	5.6K	5%	1/4W	△ R765	1-249-408-11	CARBON	180	5%	1/4W F (US,CND,AUS,E,SP,MY,CH)
R632	1-249-426-11	CARBON	5.6K	5%	1/4W	△ R766	1-233-352-21	ENCAPSULATED COMPONENT			
R651	1-249-417-11	CARBON	1K	5%	1/4W F	△ R767	1-249-393-11	CARBON	10	5%	1/4W F
R652	1-249-438-11	CARBON	56K	5%	1/4W	R768	1-249-389-11	CARBON	4.7	5%	1/4W F
R653	1-249-438-11	CARBON	56K	5%	1/4W	R770	1-249-419-11	CARBON	1.5K	5%	1/4W F
R654	1-249-414-11	CARBON	560	5%	1/4W F (AEP,UK,G,EE)	R771	1-249-427-11	CARBON	6.8K	5%	1/4W F
R654	1-249-411-11	CARBON	330	5%	1/4W (US,CND,AUS,E,SP,MY,CH)	R772	1-249-431-11	CARBON	15K	5%	1/4W
△ R660	1-249-393-11	CARBON	10	5%	1/4W F	R773	1-249-437-11	CARBON	47K	5%	1/4W
R661	1-249-389-11	CARBON	4.7	5%	1/4W F	R781	1-247-887-00	CARBON	220K	5%	1/4W
R662	1-249-437-11	CARBON	47K	5%	1/4W	△ R801	1-215-883-11	METAL OXIDE	33	5%	2W F
R701	1-249-417-11	CARBON	1K	5%	1/4W F	△ R802	1-215-883-11	METAL OXIDE	33	5%	2W F
R702	1-249-439-11	CARBON	68K	5%	1/4W	△ R803	1-215-883-11	METAL OXIDE	33	5%	2W F
R703	1-249-415-11	CARBON	680	5%	1/4W F (AEP,UK,G,EE)	△ R804	1-215-883-11	METAL OXIDE	33	5%	2W F
R703	1-249-412-11	CARBON	390	5%	1/4W F (US,CND,AUS,E,SP,MY,CH)	△ R805	1-215-883-11	METAL OXIDE	33	5%	2W F
R704	1-249-439-11	CARBON	68K	5%	1/4W	△ R806	1-215-883-11	METAL OXIDE	33	5%	2W F
R710	1-249-421-11	CARBON	2.2K	5%	1/4W F	△ R807	1-249-405-11	CARBON	100	5%	1/4W F (US,CND,AUS,E,SP,MY,CH)
R711	1-249-440-11	CARBON	82K	5%	1/4W	△ R808	1-249-405-11	CARBON	100	5%	1/4W F (US,CND,AUS,E,SP,MY,CH)
R713	1-249-414-11	CARBON	560	5%	1/4W F	△ R809	1-249-405-11	CARBON	100	5%	1/4W F (US,CND,AUS,E,SP,MY,CH)
△ R714	1-249-409-11	CARBON	220	5%	1/4W F (AEP,UK,G,EE)	△ R815	1-249-389-11	CARBON	4.7	5%	1/4W F (EXCEPT US,CND)
△ R714	1-249-408-11	CARBON	180	5%	1/4W F (US,CND,AUS,E,SP,MY,CH)	△ R815	1-247-739-11	CARBON	100	5%	1/2W F (US,CND)
△ R715	1-249-409-11	CARBON	220	5%	1/4W F (AEP,UK,G,EE)	R816	1-249-425-11	CARBON	4.7K	5%	1/4W F (AEP,UK,G,EE)
△ R715	1-249-408-11	CARBON	180	5%	1/4W F (US,CND,AUS,E,SP,MY,CH)	R816	1-249-427-11	CARBON	6.8K	5%	1/4W F (US,CND,AUS,E,SP,MY,CH)
△ R716	1-233-352-21	ENCAPSULATED COMPONENT				R821	1-249-437-11	CARBON	47K	5%	1/4W
△ R717	1-249-393-11	CARBON	10	5%	1/4W F	R822	1-249-425-11	CARBON	4.7K	5%	1/4W F
R718	1-249-389-11	CARBON	4.7	5%	1/4W F	R823	1-249-437-11	CARBON	47K	5%	1/4W
△ R719	1-249-413-11	CARBON	470	5%	1/4W F	R824	1-249-425-11	CARBON	4.7K	5%	1/4W F
R720	1-249-419-11	CARBON	1.5K	5%	1/4W F	R825	1-249-417-11	CARBON	1K	5%	1/4W F
R721	1-249-427-11	CARBON	6.8K	5%	1/4W F	△ R830	1-249-413-11	CARBON	470	5%	1/4W F (EXCEPT CND)
R722	1-249-431-11	CARBON	15K	5%	1/4W	△ R830	1-249-411-11	CARBON	330	5%	1/4W (CND)
R723	1-249-437-11	CARBON	47K	5%	1/4W	R950	1-249-421-11	CARBON	2.2K	5%	1/4W F
R724	1-249-425-11	CARBON	4.7K	5%	1/4W F	R951	1-249-428-11	CARBON	8.2K	5%	1/4W F
R725	1-249-427-11	CARBON	6.8K	5%	1/4W F	R952	1-249-422-11	CARBON	2.7K	5%	1/4W F
R726	1-249-417-11	CARBON	1K	5%	1/4W F	R953	1-249-433-11	CARBON	22K	5%	1/4W
R727	1-249-427-11	CARBON	6.8K	5%	1/4W F	R954	1-249-439-11	CARBON	68K	5%	1/4W
R730	1-249-429-11	CARBON	10K	5%	1/4W	R955	1-249-429-11	CARBON	10K	5%	1/4W
R731	1-247-887-00	CARBON	220K	5%	1/4W	R956	1-247-843-11	CARBON	3.3K	5%	1/4W
R734	1-249-429-11	CARBON	10K	5%	1/4W	R957	1-249-417-11	CARBON	1K	5%	1/4W F
△ R740	1-249-393-11	CARBON	10	5%	1/4W F	R958	1-249-401-11	CARBON	47	5%	1/4W F
△ R741	1-249-393-11	CARBON	10	5%	1/4W F	R960	1-249-431-11	CARBON	15K	5%	1/4W
R742	1-249-427-11	CARBON	6.8K	5%	1/4W F						
R751	1-249-417-11	CARBON	1K	5%	1/4W F						
R752	1-249-439-11	CARBON	68K	5%	1/4W						
R753	1-249-415-11	CARBON	680	5%	1/4W F (AEP,UK,G,EE)						
R753	1-249-412-11	CARBON	390	5%	1/4W F (US,CND,AUS,E,SP,MY,CH)						
R754	1-249-439-11	CARBON	68K	5%	1/4W						
R760	1-249-421-11	CARBON	2.2K	5%	1/4W F						

The components identified by mark △ or dotted line with mark △ are critical for safety. Replace only with part number specified.

Les composants identifiés par une marque △ sont critiques pour la sécurité. Ne les remplacer que par une pièce portant le numéro spécifié.

MAIN	PRIMARY	SECONDARY	SP-SCREW	SP-SW	STAND BY
-------------	----------------	------------------	-----------------	--------------	-----------------

Ref. No.	Part No.	Description	Remarks
△ RF800	1-212-887-00	FUSIBLE	180 5% 1/4W F (AEP,UK,G,EE,E,SP,MY,CH)
RR01	1-249-418-11	CARBON	1.2K 5% 1/4W F (AEP,UK,G,EE)
RR51	1-249-418-11	CARBON	1.2K 5% 1/4W F (AEP,UK,G,EE)
< RELAY >			
RY301	1-515-793-11	RELAY	
RY551	1-515-920-11	RELAY (24V)	
RY601	1-515-920-11	RELAY (24V)	
RY701	1-515-920-11	RELAY (24V)	
RY801	1-755-206-11	RELAY (EXCEPT CND)	
RY851	1-515-918-11	RELAY (CND)	
RY852	1-515-918-11	RELAY (CND)	
< TERMINAL >			
TM601	1-537-510-11	TERMINAL BOARD (6P)(SURROUND SPEAKER)	
TM701	1-537-376-11	TERMINAL BOARD (FRONT SPEAKER) (US,CND,AUS)	
< VIBRATOR >			
X1	1-579-900-21	VIBRATOR, CRYSTAL 4.332MHz (AEP,UK,G,EE)	
X301	1-579-952-11	VIBRATOR, CERAMIC 8MHz	

*	1-669-280-11	PRIMARY BOARD	*****
	1-533-233-21	HOLDER, FUSE	
< FUSE >			
△ F901	1-532-464-51	FUSE TIME LAG 2.5A/250V (EXCEPT US,CND)	
△ F901	1-533-310-11	FUSE, GLASS TUBE 6.3A/125V (US,CND)	

*	1-669-281-11	SECONDARY BOARD	*****
	1-533-233-21	HOLDER, FUSE	
< CONNECTOR >			
CNP801	1-764-479-11	PIN, CONNECTOR (PC BOARD) 10P	
< FUSE >			
△ F801	1-532-504-51	FUSE TIME LAG 4A/250V(EXCEPT US,CND)	
△ F801	1-576-108-11	FUSE 4A/125V(US,CND)	
△ F802	1-532-504-51	FUSE TIME LAG 4A/250V(EXCEPT US,CND)	
△ F802	1-576-108-11	FUSE 4A/125V(US,CND)	

*	1-669-284-11	SP-SCREW BOARD (AEP,UK,G,EE,E,SP,MY,CH)	*****
< CAPACITOR >			
CC12	1-164-096-11	CERAMIC	0.01uF 50V
CC13	1-164-096-11	CERAMIC	0.01uF 50V
CC62	1-164-096-11	CERAMIC	0.01uF 50V
CC63	1-164-096-11	CERAMIC	0.01uF 50V
< CONNECTOR >			
CNS707	1-564-505-11	PLUG, CONNECTOR 2P	

Ref. No.	Part No.	Description	Remarks
< RESISTOR >			
RR04	1-249-393-11	CARBON	10 5% 1/4W F
RR05	1-249-393-11	CARBON	10 5% 1/4W F
RR54	1-249-393-11	CARBON	10 5% 1/4W F
RR55	1-249-393-11	CARBON	10 5% 1/4W F
< TERMINAL >			
TMS701	1-537-740-11	TERMINAL BOARD (FRONT SPEAKERS)	

*	1-669-282-11	SP-SW BOARD	*****
< CONNECTOR >			
CNP703	1-764-474-11	PIN, CONNECTOR (PC BOARD) 5P	
CNP704	1-764-473-11	PIN, CONNECTOR (PC BOARD) 3P	
< JACK >			
J741	1-750-733-11	JACK (LARGE TYPE)(PHONES)	
< RESISTOR >			
R741	1-247-753-11	CARBON	1.2K 5% 1/2W
R742	1-247-753-11	CARBON	1.2K 5% 1/2W
R791	1-247-753-11	CARBON	1.2K 5% 1/2W
R792	1-247-753-11	CARBON	1.2K 5% 1/2W
< SWITCH >			
S701	1-762-319-11	SWITCH, PUSH (2 KEY)(SPEAKER A/B)	

*	1-669-279-11	STAND BY BOARD	*****
	1-533-233-21	HOLDER, FUSE	
< JACK >			
△ CNJ902	1-251-691-11	OUTLET (AC) (US,CND)	
< CONNECTOR >			
CNP802	1-779-495-11	PLUG, CONNECTOR PIN 4P	
CNP901	1-564-321-00	PIN, CONNECTOR 2P	
CNP903	1-580-230-11	PIN,CONNECTOR(PC BOARD)2P (EXCEPT US,CND)	
< DIODE >			
D816	8-719-911-19	DIODE 1SS119	
< FUSE >			
△ F902	1-532-464-51	FUSE TIME LAG 2.5A/250V (EXCEPT US,CND)	
< TERMINAL >			
* G900	1-537-738-21	TERMINAL, EARTH (US,CND,AUS,E,SP,MY,CH)	
< RESISTOR >			
△ R901	1-202-725-00	SOLID	3.3M 10% 1/2W (US,CND)

The components identified by mark △ or dotted line with mark △ are critical for safety. Replace only with part number specified.	Les composants identifiés par une marque △ sont critiques pour la sécurité. Ne les remplacer que par une pièce portant le numéro spécifié.
--	--

STAND BY

VIDEO

VR-TONE

Ref. No.	Part No.	Description	Remarks	Ref. No.	Part No.	Description	Remarks
		< RELAY >		R276	1-249-421-11	CARBON 2.2K 5%	1/4W F
△RY901	1-755-018-11	RELAY		R277	1-249-429-11	CARBON 10K 5%	1/4W
		< TRANSFORMER >		R278	1-249-421-11	CARBON 2.2K 5%	1/4W F
△T902	1-431-740-11	TRANSFORMER, POWER (US,CND)		R280	1-249-421-11	CARBON 2.2K 5%	1/4W F
△T902	1-431-739-11	TRANSFORMER, POWER (EXCEPT US,CND)		R282	1-249-421-11	CARBON 2.2K 5%	1/4W F

*	1-669-283-11	VIDEO BOARD		* A-4407-451-A VR-TONE BOARD, COMPLETE			

		< CAPACITOR >		< CAPACITOR >			
C260	1-126-960-11	ELECT 1uF 20%	50V	C220	1-126-301-11	ELECT 1uF 20%	50V
C261	1-126-960-11	ELECT 1uF 20%	50V	C221	1-126-301-11	ELECT 1uF 20%	50V
C262	1-164-159-11	CERAMIC 0.1uF	50V	C361	1-164-159-11	CERAMIC 0.1uF	50V
C263	1-104-664-11	ELECT 47uF 20%	25V	C362	1-164-159-11	CERAMIC 0.1uF	50V
C264	1-164-159-11	CERAMIC 0.1uF	50V	C363	1-164-159-11	CERAMIC 0.1uF	50V
C265	1-126-924-11	ELECT 330uF 20%	10V	C364	1-164-159-11	CERAMIC 0.1uF	50V
C266	1-162-215-31	CERAMIC 47PF 5%	50V	C365	1-164-159-11	CERAMIC 0.1uF	50V
C267	1-162-215-31	CERAMIC 47PF 5%	50V	C366	1-164-159-11	CERAMIC 0.1uF	50V
C268	1-126-960-11	ELECT 1uF 20%	50V	C381	1-126-963-11	ELECT 4.7uF 20%	50V
CC272	1-162-282-31	CERAMIC 100PF 10%	50V (AEP,UK,G,EE)	C382	1-126-963-11	ELECT 4.7uF 20%	50V
CC274	1-162-282-31	CERAMIC 100PF 10%	50V (AEP,UK,G,EE)	C383	1-126-963-11	ELECT 4.7uF 20%	50V
CC276	1-162-282-31	CERAMIC 100PF 10%	50V (AEP,UK,G,EE)	C384	1-126-963-11	ELECT 4.7uF 20%	50V
CC278	1-162-282-31	CERAMIC 100PF 10%	50V (AEP,UK,G,EE)	C385	1-126-963-11	ELECT 4.7uF 20%	50V
CC280	1-162-282-31	CERAMIC 100PF 10%	50V (AEP,UK,G,EE)	C421	1-137-440-11	FILM 0.018uF 5%	50V
		< CONNECTOR >		C422	1-124-463-00	ELECT 0.1uF 20%	50V
CNP500	1-691-771-11	PLUG (MICRO CONNECTOR) 9P		C423	1-137-368-11	FILM 0.0047uF 5%	50V
CNS250	1-568-439-11	SOCKET, CONNECTOR 7P		C424	1-137-372-11	FILM 0.022uF 5%	50V
		< IC >		C471	1-137-440-11	FILM 0.018uF 5%	50V
IC251	8-759-333-84	IC NJM2279D		C472	1-124-463-00	ELECT 0.1uF 20%	50V
		< JACK >		C473	1-137-368-11	FILM 0.0047uF 5%	50V
J251	1-695-317-21	JACK,PIN 2P(VIDEO/TV/LD VIDEO IN)		C474	1-137-372-11	FILM 0.022uF 5%	50V
J252	1-766-199-11	JACK,PIN 3P(VIDEO OUT/VIDEO IN/MONITOR)		< CONNECTOR >			
J253	1-774-843-11	JACK,PIN 1P(WOOFER AUDIO OUT)		CNP202	1-770-393-11	PIN, CONNECTOR (PC BOARD) 9P	
J501	1-779-380-11	JACK,PIN 6P(FRONT/REAR/CENTER/WOOFER)		CNS402	1-568-442-11	SOCKET, CONNECTOR 9P	
		< RESISTOR >		CNS502	1-568-443-11	SOCKET, CONNECTOR 13P	
R261	1-247-804-11	CARBON 75 5%	1/4W	< DIODE >			
R262	1-247-804-11	CARBON 75 5%	1/4W	D238	8-719-046-39	DIODE SEL5821A-TH15 (MUTING)	
R263	1-247-804-11	CARBON 75 5%	1/4W	< TRANSISTOR >			
R264	1-247-804-11	CARBON 75 5%	1/4W	Q361	8-729-141-30	TRANSISTOR 2SC3623A-LK	
△R267	1-249-407-11	CARBON 150 5%	1/4W F	Q362	8-729-141-30	TRANSISTOR 2SC3623A-LK	
R268	1-249-411-11	CARBON 330 5%	1/4W	Q363	8-729-141-30	TRANSISTOR 2SC3623A-LK	
△R269	1-247-804-11	CARBON 75 5%	1/4W (US,CND,AUS,E,SP,MY,CH)	Q364	8-729-141-30	TRANSISTOR 2SC3623A-LK	
R272	1-249-421-11	CARBON 2.2K 5%	1/4W F	Q365	8-729-141-30	TRANSISTOR 2SC3623A-LK	
R274	1-249-421-11	CARBON 2.2K 5%	1/4W F	Q366	8-729-141-30	TRANSISTOR 2SC3623A-LK	
R275	1-249-429-11	CARBON 10K 5%	1/4W	< RESISTOR >			
				R229	1-249-406-11	CARBON 120 5%	1/4W F
				R351	1-249-417-11	CARBON 1K 5%	1/4W F
				R352	1-249-417-11	CARBON 1K 5%	1/4W F
				R353	1-249-417-11	CARBON 1K 5%	1/4W F
				R354	1-249-417-11	CARBON 1K 5%	1/4W F

The components identified by mark △ or dotted line with mark △ are critical for safety. Replace only with part number specified.	Les composants identifiés par une marque △ sont critiques pour la sécurité. Ne les remplacer que par une pièce portant le numéro spécifié.
--	--

Ref. No.	Part No.	Description	Remarks
R355	1-249-417-11	CARBON 1K 5%	1/4W F
R356	1-249-417-11	CARBON 1K 5%	1/4W F
R361	1-249-425-11	CARBON 4.7K 5%	1/4W F
R362	1-249-425-11	CARBON 4.7K 5%	1/4W F
R363	1-249-425-11	CARBON 4.7K 5%	1/4W F
R364	1-249-425-11	CARBON 4.7K 5%	1/4W F
R365	1-249-425-11	CARBON 4.7K 5%	1/4W F
R366	1-249-425-11	CARBON 4.7K 5%	1/4W F
R367	1-249-441-11	CARBON 100K 5%	1/4W
R368	1-249-441-11	CARBON 100K 5%	1/4W
R369	1-249-441-11	CARBON 100K 5%	1/4W
R370	1-249-441-11	CARBON 100K 5%	1/4W
R371	1-249-441-11	CARBON 100K 5%	1/4W
R372	1-249-441-11	CARBON 100K 5%	1/4W
R421	1-249-430-11	CARBON 12K 5%	1/4W
R422	1-249-422-11	CARBON 2.7K 5%	1/4W F
R423	1-247-903-00	CARBON 1M 5%	1/4W
R424	1-247-903-00	CARBON 1M 5%	1/4W
R425	1-249-415-11	CARBON 680 5%	1/4W F
R471	1-249-430-11	CARBON 12K 5%	1/4W
R472	1-249-422-11	CARBON 2.7K 5%	1/4W F
R473	1-247-903-00	CARBON 1M 5%	1/4W
R474	1-247-903-00	CARBON 1M 5%	1/4W
R475	1-249-415-11	CARBON 680 5%	1/4W F
< VARIABLE RESISTOR >			
RV404	1-225-446-11	RES, VAR, CARBON 100KX6 (MASTER VOLUME)	
RV421	1-223-362-11	RES, VAR, CARBON 100K/100K (BASS)	
RV422	1-223-363-11	RES, VAR, CARBON 125K/125K (TREBLE)	
RV423	1-225-447-11	RES, VAR, CARBON 100K/100K (BALANCE)	
< SWITCH >			
S240	1-762-751-11	SWITCH, TACTILE	

*	1-669-276-11	10 KEY BOARD *****	
< CONNECTOR >			
CNS205	1-770-397-11	HOUSING, CONNECTOR(PC BOARD)4P	
< RESISTOR >			
R232	1-249-411-11	CARBON 330 5%	1/4W
R233	1-249-413-11	CARBON 470 5%	1/4W F
R234	1-249-415-11	CARBON 680 5%	1/4W F
R235	1-249-417-11	CARBON 1K 5%	1/4W F
R236	1-249-419-11	CARBON 1.5K 5%	1/4W F
R237	1-249-421-11	CARBON 2.2K 5%	1/4W F
R238	1-247-843-11	CARBON 3.3K 5%	1/4W
R239	1-249-411-11	CARBON 330 5%	1/4W
R240	1-249-413-11	CARBON 470 5%	1/4W F
R241	1-249-415-11	CARBON 680 5%	1/4W F
R242	1-249-417-11	CARBON 1K 5%	1/4W F
R243	1-249-419-11	CARBON 1.5K 5%	1/4W F
R244	1-249-421-11	CARBON 2.2K 5%	1/4W F
R245	1-247-843-11	CARBON 3.3K 5%	1/4W
R246	1-249-411-11	CARBON 330 5%	1/4W

Ref. No.	Part No.	Description	Remarks
R247	1-249-413-11	CARBON 470 5%	1/4W F
R248	1-249-415-11	CARBON 680 5%	1/4W F
R249	1-249-417-11	CARBON 1K 5%	1/4W F
R250	1-249-419-11	CARBON 1.5K 5%	1/4W F
R251	1-249-421-11	CARBON 2.2K 5%	1/4W F
R252	1-247-843-11	CARBON 3.3K 5%	1/4W
R253	1-249-425-11	CARBON 4.7K 5%	1/4W F
< SWITCH >			
S217	1-554-303-21	SWITCH, TACTILE (EFFECT/DELAY)	
S218	1-554-303-21	SWITCH, TACTILE (SURROUND ON/OFF)	
S219	1-554-303-21	SWITCH, TACTILE (BASS BOOST)	
S220	1-554-303-21	SWITCH, TACTILE (PHONES)(AEP,UK,G,EE)	
S221	1-554-303-21	SWITCH, TACTILE (TUNER) (AEP,UK,G,EE)	
S222	1-554-303-21	SWITCH, TACTILE (TV/LD)	
S223	1-554-303-21	SWITCH, TACTILE (VIDEO)	
S224	1-554-303-21	SWITCH, TACTILE (SHIFT)	
S225	1-554-303-21	SWITCH, TACTILE (6)	
S226	1-554-303-21	SWITCH, TACTILE (7)	
S227	1-554-303-21	SWITCH, TACTILE (8)	
S228	1-554-303-21	SWITCH, TACTILE (9)	
S229	1-554-303-21	SWITCH, TACTILE (0)	
S230	1-554-303-21	SWITCH, TACTILE (SET UP)	
S231	1-554-303-21	SWITCH, TACTILE (CD) (AEP,UK,G,EE)	
S232	1-554-303-21	SWITCH, TACTILE (DIRECT TUNING)	
S233	1-554-303-21	SWITCH, TACTILE (1)	
S234	1-554-303-21	SWITCH, TACTILE (2)	
S235	1-554-303-21	SWITCH, TACTILE (3)	
S236	1-554-303-21	SWITCH, TACTILE (4)	
S237	1-554-303-21	SWITCH, TACTILE (5)	
S238	1-554-303-21	SWITCH, TACTILE (TAPE/MD)	
S239	1-554-303-21	SWITCH, TACTILE (MODE)	
S241	1-762-751-11	SWITCH, TACTILE (TUNER) (US,CND,AUS,E,SP,MY,CH)	
S242	1-762-751-11	SWITCH, TACTILE (CD) (US,CND,AUS,E,SP,MY,CH)	
S243	1-554-303-21	SWITCH, TACTILE (5.1/DVD INPUT)	

MISCELLANEOUS *****			
12	1-782-086-11	WIRE (FLAT TYPE) (27 CORE)	
13	1-769-911-11	WIRE (FLAT TYPE) (9 CORE)	
14	1-769-972-11	WIRE (FLAT TYPE) (13 CORE)	
△ 58	1-777-071-21	CORD, POWER (E,SP,MY,CH)	
△ 58	1-783-203-11	CORD, POWER (AUS)	
△ 58	1-783-204-11	CORD, POWER (US,CND)	
63	1-693-407-41	TUNER (US,CND)	
63	1-693-408-41	TUNER (AUS,AEP,UK,G,E,SP,MY,CH)	
63	1-693-411-41	TUNER (EE)	
64	1-782-080-11	WIRE (FLAT TYPE) (15 CORE)	
65	1-782-074-11	WIRE (FLAT TYPE) (7 CORE)	
△ CNJ902	1-251-416-11	OUTLET, AC (AUS)	
△ CNJ902	1-526-794-11	OUTLET, AC (AEP,G,EE,E,SP,MY,CH)	
△ T901	1-431-267-11	TRANSFORMER, POWER (US)	
△ T901	1-431-268-11	TRANSFORMER, POWER (CND)	

The components identified by mark Δ or dotted line with mark Δ are critical for safety. Replace only with part number specified.	Les composants identifiés par une marque Δ sont critiques pour la sécurité. Ne les remplacer que par une pièce portant le numéro spécifié.
--	---

<u>af. No.</u>	<u>Part No.</u>	<u>Description</u>	<u>Remarks</u>
Δ T901	1-431-270-11	TRANSFORMER, POWER (AUS)	
Δ T901	1-431-791-11	TRANSFORMER, POWER (AEP,UK,G,EE)	
Δ T901	1-431-792-11	TRANSFORMER, POWER (E,SP,MY,CH)	

ACCESSORIES & PACKING MATERIALS

- 1-475-710-11 REMOTE COMMANDER RM-U302
(EXCEPT CND)
- 1-501-374-11 ANTENNA, LOOP
- 1-501-594-11 ANTENNA (FM)(EXCEPT US,CND)
- 4- 981-643-11 BATTERY COVER (FOR RM-U302)
(EXCEPT CND)
- 4-987-977-01 BATTERY COVER (FOR RM-PP401) (CND)
- 8-917-634-90 REMOTE COMMADER RM-PP401(CND)
- 3-862-354-11 MANUAL, INSTRUCTION
(ENGLISH, FRENCH, GERMAN, DUTCH, ITALIAN)
- 3-862-354-21 MANUAL, INSTRUCTION (ENGLISH)
- 3-862-354-31 MANUAL, INSTRUCTION (ENGLISH, FRENCH)
- 3-862-354-41 MANUAL, INSTRUCTION
(SPANISH, SWEDISH, FINNISH, DANISH, PORTUGUESE)
- 3-862-354-51 MANUAL, INSTRUCTION
(ENGLISH, RUSSIAN, POLISH)
- 3-862-354-61 MANUAL, INSTRUCTION
(ENGLISH, FRENCH, SPANISH, CHINESE)

HARDWARE LIST

- #1 7-685-646-79 SCREW +BVTP 3 × 8 TYPE2 IT-3
- #2 7-685-881-09 SCREW +BVTT 4 × 8 (S)
- #3 7-685-872-09 SCREW +BVTT 3 × 8 (S)

<p>The components identified by mark Δ or dotted line with mark Δ are critical for safety. Replace only with part number specified.</p>	<p>Les composants identifiés par une marque Δ sont critiques pour la sécurité. Ne les remplacer que par une pièce portant le numéro spécifié.</p>
---	---

