

PARTS AND EXPLODED VIEWS

MA1 CHASSIS

<u>MODEL NAME</u>	<u>REMOTE COMMANDER</u>	<u>DESTINATION</u>
KDL-26M3000	RM-YD021	US/CANADA
KDL-26M3000	RM-YD021	LATIN NORTH/LATIN SOUTH
KDL-26ML130	RM-YD021	US/CANADA
KDL-32M3000	RM-YD021	US/CANADA
KDL-32M3000	RM-YD021	LATIN NORTH/LATIN SOUTH
KDL-32ML130	RM-YD021	US/CANADA



KDL-32M3000



RM-YD021

LCD DIGITAL COLOR TELEVISION


SONY®


SECTION 4: EXPLODED VIEWS


Components not identified by a part number or description are not stocked because they are seldom required for routine service.

The component parts of an assembly are indicated by the reference numbers in the far right column of the parts list and within the dotted lines of the diagram.

* Items marked with an asterisk are not stocked since they are seldom required for routine service. Expect some delay when ordering these components.

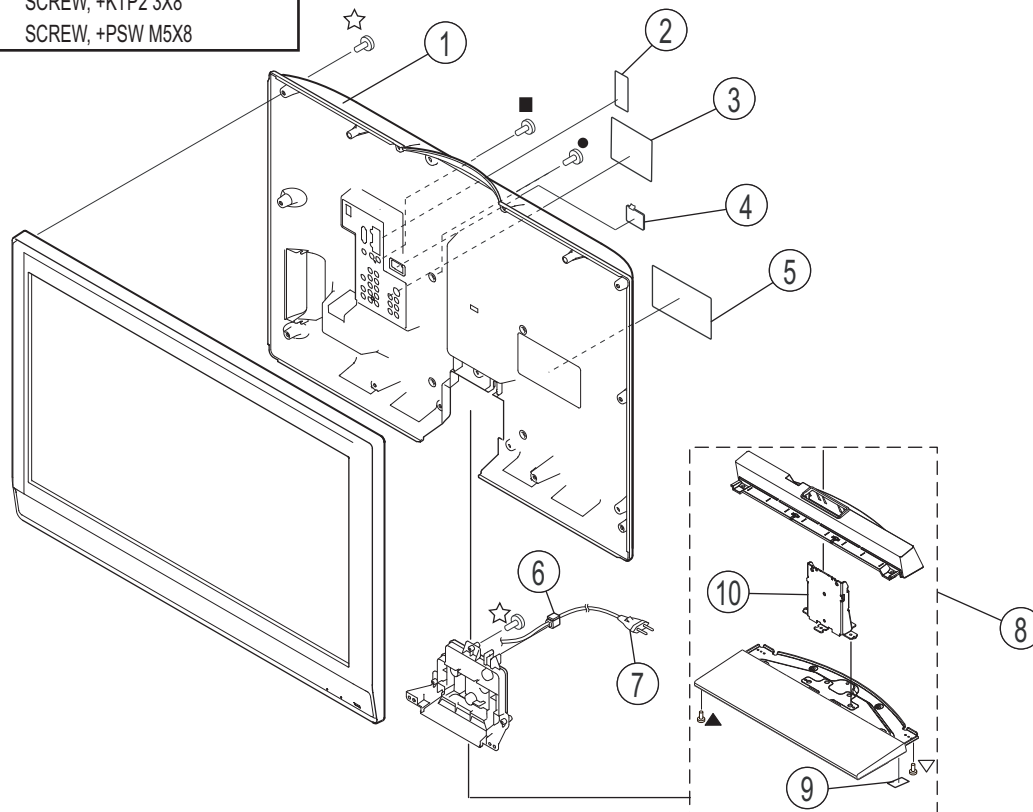
NOTE: The components identified by shading and  mark are critical for safety. Replace only with part number specified.



NOTE: Les composants identifiés par un triangle et une marque  sont critiques pour la sécurité. Ne les remplacer que par une pièce portant le numéro spécifié.

NOTE: The components identified by a red outline and a  mark contain confidential information. Specific instructions must be adhered to whenever these components are repaired and/or replaced. See Appendix A: Encryption Key Components in the back of this manual.

4-1. REAR COVER ASSEMBLY AND STAND ASSEMBLY

■	7-685-648-79	SCREW +BVTP 3X12 TYPE2 TT(B)
☆	2-580-640-01	SCREW, +BVTP2 4X16
●	2-580-608-01	SCREW, +PSW M5X16
▽	2-580-644-01	SCREW, +KTP2 3X8
▲	2-580-606-01	SCREW, +PSW M5X8



REF. NO.	PART NO.	DESCRIPTION	[ASSEMBLY INCLUDES]	REF. NO.	PART NO.	DESCRIPTION	[ASSEMBLY INCLUDES]
1	3-210-430-01	COVER, REAR (26) (KDL-26M3000/26ML130 ONLY)		*	5	3-270-543-01	LABEL, INFORMATION (KDL-32ML130 ONLY)
1	3-210-439-01	COVER, REAR (32) (KDL-32M3000/32ML130 ONLY)		*	5	3-272-478-01	LABEL, INFORMATION (KDL-32M3000 LN/LS MODELS ONLY)
2	3-217-797-01	LABEL, HDMI		6	4-022-115-00	HOLDER, AC CORD	
3	3-213-435-01	LABEL, REAR TERMINAL		 7	1-834-555-11	AC POWER CORD (WITH CONNECTOR) (KDL-26M3000/26ML130/32M3000/32ML130 US/CND MODELS ONLY)	
4	3-210-448-01	COVER, ECS		 7	1-834-554-11	AC POWER CORD WITH CONNECTOR (KDL-26M3000/32M3000 LN/LS MODELS ONLY)	
*	5	3-270-540-01	LABEL, INFORMATION (KDL-26M3000 US/CND MODEL ONLY)	8	A-1274-853-A	STAND ASSEMBLY (MA) (KDL-26M3000/32M3000 ONLY)	[9-10]
*	5	3-270-542-01	LABEL, INFORMATION (KDL-26ML130 ONLY)	8	A-1318-635-A	STAND ASSEMBLY (MA) (KDL-26ML130/32ML130 ONLY)	[9-10]
*	5	3-272-480-01	LABEL, INFORMATION (KDL-26M3000 LN/LS MODELS ONLY)	9	3-213-762-01	FOOT (15X30)	
*	5	3-213-436-01	LABEL, INFORMATION (KDL-32M3000 US/CND MODEL ONLY)	10	3-106-486-01	NECK (M)	

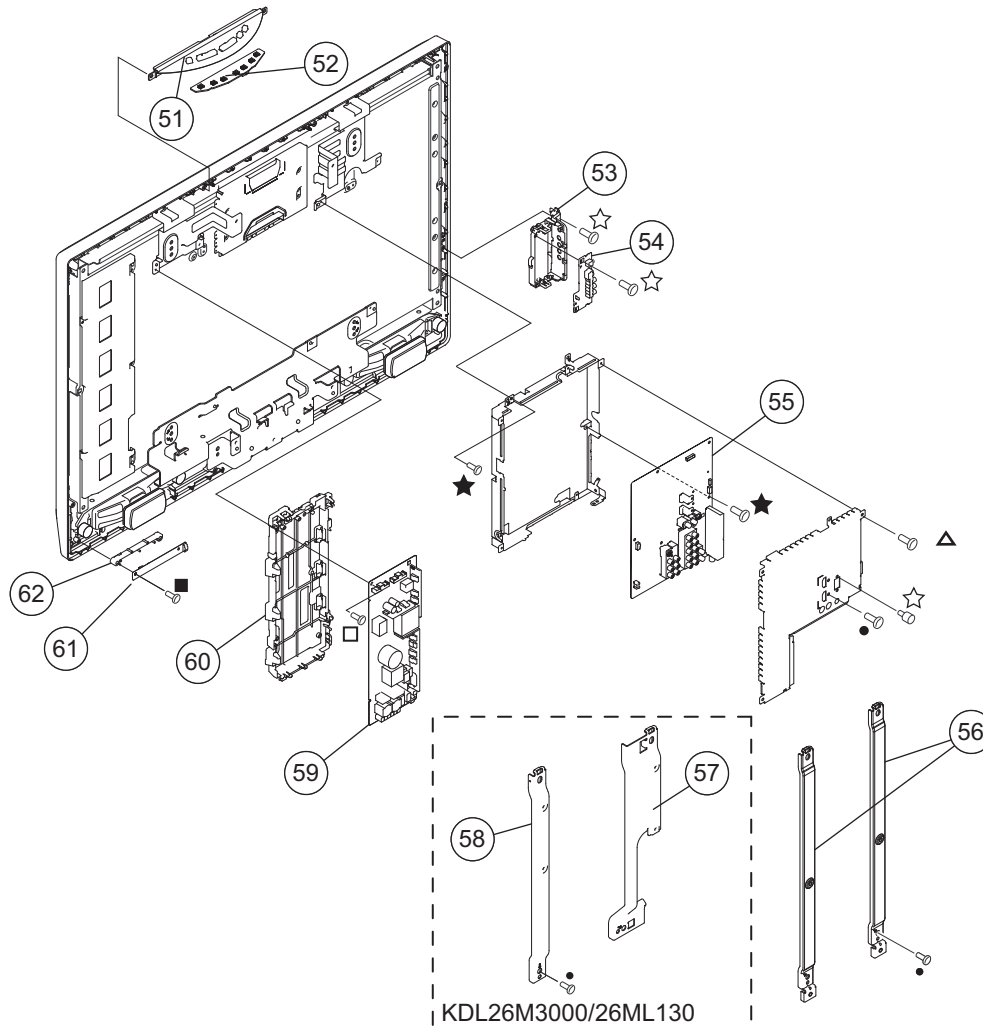
NOTE: The components identified by shading and \triangle mark are critical for safety. Replace only with part number specified.

NOTE: Les composants identifiés par un trame et une marque \triangle sont critiques pour la sécurité. Ne les remplacer que par une pièce portant le numéro spécifié.


NOTE: The components identified by a red outline and a \mathfrak{L} mark contain confidential information. Specific instructions must be adhered to whenever these components are repaired and/or replaced. See Appendix A: Encryption Key Components in the back of this manual.


4-2. CHASSIS


■	7-685-648-79	SCREW +BVTP 3X12 TYPE2 TT(B)
★	2-580-629-01	SCREW, +BVST 3X8
\triangle	2-580-591-01	SCREW, +PSW M3X5
●	2-580-608-01	SCREW, +PSW M5X16
□	2-674-965-31	SCREW, +PSW 3SG
☆	4-635-966-01	SCREW (HEX)



REF. NO.	PART NO.	DESCRIPTION	[ASSEMBLY INCLUDES]	REF. NO.	PART NO.	DESCRIPTION	[ASSEMBLY INCLUDES]
51	X-2186-624-1	BUTTON, MULTI ASSEMBLY		56	X-2177-549-1	VESA ARM(32) ASSEMBLY (KDL-32M3000/32ML130 ONLY)	
52	A-1268-471-A	HM1 BOARD, MOUNTED		57	X-2178-787-1	ARM ASSEMBLY, VESA (26L) (KDL-26M3000/26ML130 ONLY)	
53	3-268-323-11	HOLDER, SIDE JACK (S)		58	X-2178-788-1	ARM ASSEMBLY, VESA (26R) (KDL-26M3000/26ML130 ONLY)	
53	3-106-473-21	HOLDER, SIDE JACK(M)		59	A-1315-710-A	G1M BOARD, MOUNTED	
54	A-1268-473-A	UM BOARD, MOUNTED		*	60	3-106-471-11	BRACKET, G1
\mathfrak{L} 55	A-1376-787-A	BM BOARD, MOUNTED (KDL-26M3000/26ML130 ONLY)		61	A-1268-472-A	HM3 BOARD, MOUNTED	
\mathfrak{L} 55	A-1376-788-A	BM BOARD, MOUNTED (KDL-32M3000/32ML130 ONLY)		62	3-210-445-01	GUIDE, LIGHT	

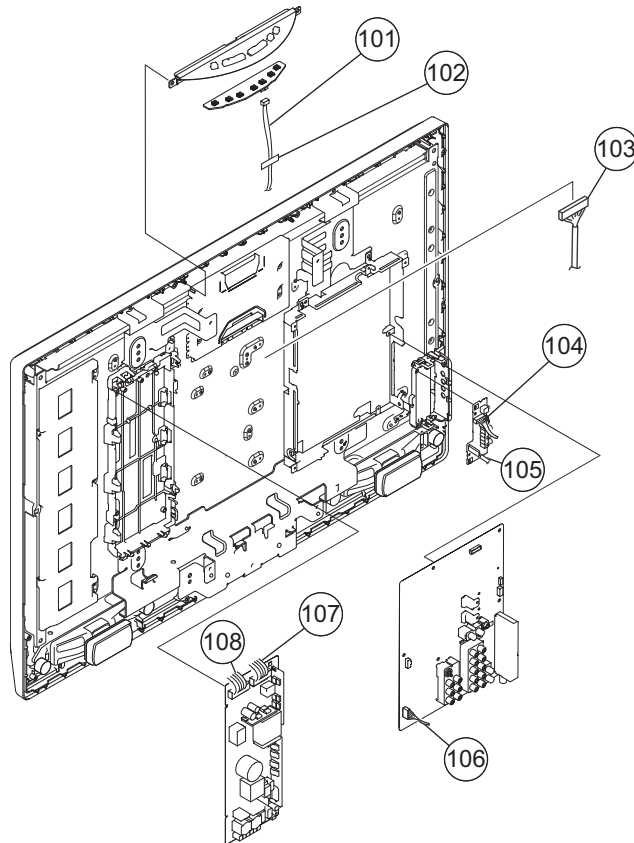
NOTE: The components identified by shading and  mark are critical for safety. Replace only with part number specified.

NOTE: Les composants identifiés par un trame et une marque  sont critiques pour la sécurité. Ne les remplacer que par une pièce portant le numéro spécifié.


NOTE: The components identified by a red outline and a  mark contain confidential information. Specific instructions must be adhered to whenever these components are repaired and/or replaced. See Appendix A: Encryption Key Components in the back of this manual.


4-3. CONNECTORS


(Check the [Sony Electronics Service Information](#) website for any additional service related issues for this model.)



REF. NO.	PART NO.	DESCRIPTION	[ASSEMBLY INCLUDES]	REF. NO.	PART NO.	DESCRIPTION	[ASSEMBLY INCLUDES]
101	1-910-038-35	CONN ASSEMBLY, 11P MM CRIMP 550 (KDL-26M3000/26ML130 ONLY)		106	1-910-038-30	CONN ASSEMBLY, 4P SPEAKER FASTON (KDL-26M3000/26ML130 ONLY)	
101	1-910-038-28	CONN ASSEMBLY, 11P MM CRIMP 690 (KDL-32M3000/32ML130 ONLY)		106	1-910-038-07	FI CONNECTOR ASSEMBLY 30P (KDL-32M3000/32ML130 ONLY)	
102	2-688-062-01	TAPE (LCD)		107	1-910-038-29	CONN ASSEMBLY, 12P MM CRIMP 450	
103	1-834-383-11	LVDS CABLE		108	1-910-038-36	CONN ASSEMBLY, 14P MM CRIMP 300 (KDL-26M3000/26ML130 ONLY)	
104	1-910-038-33	CONN ASSEMBLY, 20P MM CRIMP 210		108	1-910-038-31	CONN ASSEMBLY, 14P MM CRIMP 420 (KDL-32M3000/32ML130 ONLY)	
105	1-910-038-32	WIRE ASSEMBLY, FASTON TERMINAL					

NOTE: The components identified by shading and  mark are critical for safety. Replace only with part number specified.

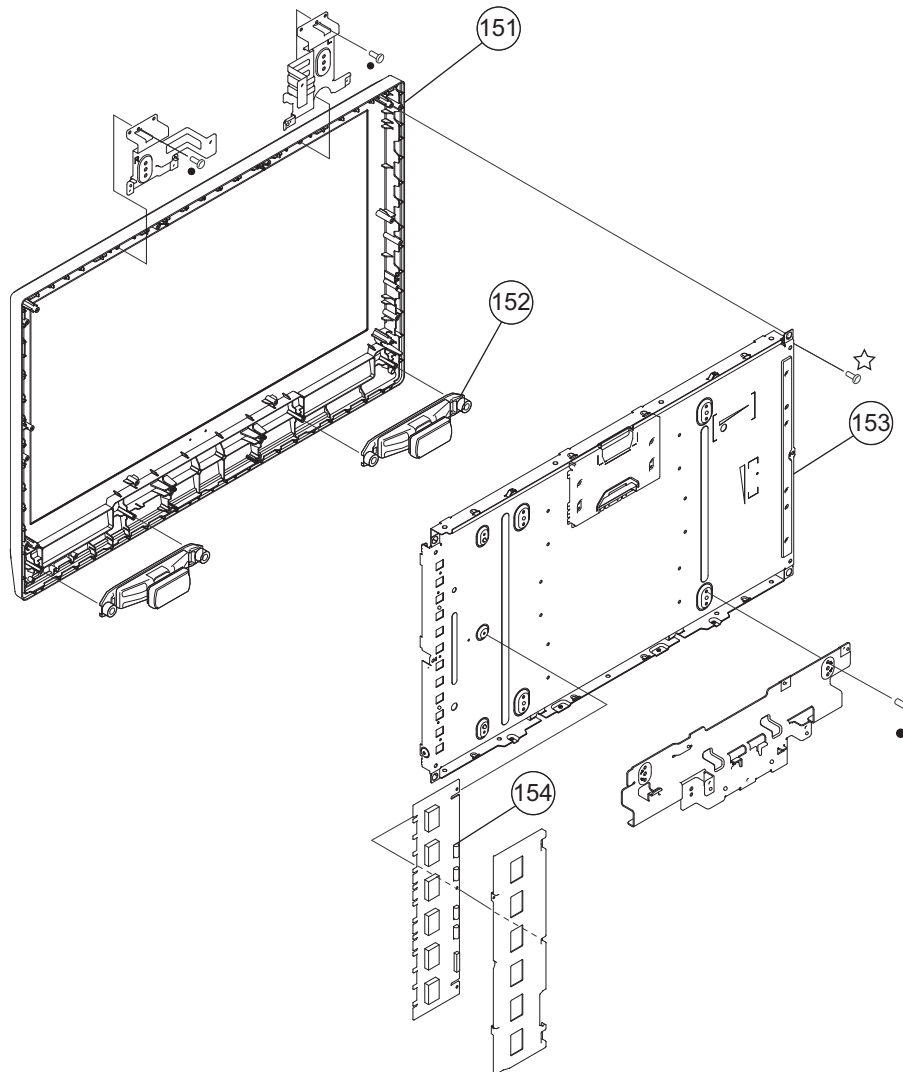
NOTE: Les composants identifiés par un triangle et une marque  sont critiques pour la sécurité. Ne les remplacer que par une pièce portant le numéro spécifié.

NOTE: The components identified by a red outline and a  mark contain confidential information. Specific instructions must be adhered to whenever these components are repaired and/or replaced. See Appendix A: Encryption Key Components in the back of this manual.

4-4. BEZEL ASSEMBLY, LCD PANEL AND SPEAKERS

(Check the [Sony Electronics Service Information](#) website for any additional service related issues for this model.)

☆	2-580-654-01	SCREW, +PWTP2 4X16 (KDL-32M3000/32ML130 ONLY)
●	2-580-600-01	SCREW, +PSW M4X8



REF. NO.	PART NO.	DESCRIPTION	[ASSEMBLY INCLUDES]	REF. NO.	PART NO.	DESCRIPTION	[ASSEMBLY INCLUDES]
151	X-2178-368-1	BEZEL ASSEMBLY (26) (KDL-26M3000 ONLY)		152	1-826-363-11	LOUDSPEAKER (4.2X15CM)	
151	X-2179-761-1	BEZEL ASSEMBLY (26) (KDL-26ML130 ONLY)		153	1-802-268-11	LCD PANEL 26INCH WXGA TFT (KDL-26M3000/26ML130 ONLY)	
151	X-2178-370-1	BEZEL ASSEMBLY (32) (KDL-32M3000 ONLY)		153	1-802-494-11	LCD PANEL (32 INCH WXGA TFT) (KDL-32M3000/32ML130 ONLY)	
151	X-2178-439-1	BEZEL ASSEMBLY (32) (KDL-32ML130 ONLY)		154	1-789-720-11	ETC-INVERTER MT BOARD (KDL-26M3000/26ML130 ONLY)	
				154	1-789-907-11	ETC-INVERTER MT BOARD (KDL-32M3000/32ML130 ONLY)	



REF. NO.	PART NO.	DESCRIPTION	VALUES			REF. NO.	PART NO.	DESCRIPTION	VALUES		
C2103	1-100-764-21	ELECT CHIP	4.7μF	20%	25V	C2159	1-100-905-11	CERAMIC CHIP	0.001μF	10%	50V
C2104	1-100-764-21	ELECT CHIP	4.7μF	20%	25V	C2160	1-100-905-11	CERAMIC CHIP	0.001μF	10%	50V
C2105	1-100-764-21	ELECT CHIP	4.7μF	20%	25V	C2161	1-100-905-11	CERAMIC CHIP	0.001μF	10%	50V
C2106	1-100-764-21	ELECT CHIP	4.7μF	20%	25V	C2168	1-162-979-11	CERAMIC CHIP	0.0027μF	10%	50V
C2107	1-126-396-11	ELECT CHIP	47μF	20%	16V	C2169	1-162-979-11	CERAMIC CHIP	0.0027μF	10%	50V
C2111	1-100-597-91	CERAMIC CHIP	0.1μF	10%	25V	C2170	1-162-979-11	CERAMIC CHIP	0.0027μF	10%	50V
C2112	1-100-764-21	ELECT CHIP	4.7μF	20%	25V	C2171	1-162-979-11	CERAMIC CHIP	0.0027μF	10%	50V
C2113	1-112-777-11	CERAMIC CHIP	0.01μF	10%	25V	C2172	1-124-779-00	ELECT CHIP	10μF	20%	16V
C2114	1-100-764-21	ELECT CHIP	4.7μF	20%	25V	C2173	1-124-779-00	ELECT CHIP	10μF	20%	16V
C2115	1-115-340-11	CERAMIC CHIP	0.22μF	10%	25V	C2174	1-135-366-11	ELECT CHIP	100μF	20%	16V
C2116	1-115-340-11	CERAMIC CHIP	0.22μF	10%	25V	C2175	1-124-779-00	ELECT CHIP	10μF	20%	16V
C2117	1-100-905-11	CERAMIC CHIP	0.001μF	10%	50V	C2176	1-100-764-21	ELECT CHIP	4.7μF	20%	25V
C2118	1-100-905-11	CERAMIC CHIP	0.001μF	10%	50V	C2177	1-100-764-21	ELECT CHIP	4.7μF	20%	25V
C2119	1-115-340-11	CERAMIC CHIP	0.22μF	10%	25V	C2178	1-100-597-91	CERAMIC CHIP	0.1μF	10%	25V
C2120	1-115-340-11	CERAMIC CHIP	0.22μF	10%	25V	C2179	1-100-597-91	CERAMIC CHIP	0.1μF	10%	25V
C2121	1-100-905-11	CERAMIC CHIP	0.001μF	10%	50V	C2180	1-100-597-91	CERAMIC CHIP	0.1μF	10%	25V
C2123	1-112-797-11	ELECT CHIP	470μF	20%	25V	C2181	1-124-779-00	ELECT CHIP	10μF	20%	16V
C2124	1-135-349-21	ELECT CHIP	22μF	20%	20V	C2182	1-124-779-00	ELECT CHIP	10μF	20%	16V
C2125	1-100-597-91	CERAMIC CHIP	0.1μF	10%	25V	C2183	1-124-779-00	ELECT CHIP	10μF	20%	16V
C2126	1-100-912-11	CERAMIC CHIP	1μF	10%	25V	C2185	1-126-396-11	ELECT CHIP	47μF	20%	16V
C2127	1-100-912-11	CERAMIC CHIP	1μF	10%	25V	C2186	1-126-396-11	ELECT CHIP	47μF	20%	16V
C2128	1-135-349-21	ELECT CHIP	22μF	20%	20V	C2195	1-100-597-91	CERAMIC CHIP	0.1μF	10%	25V
C2129	1-100-597-91	CERAMIC CHIP	0.1μF	10%	25V	C2196	1-100-764-21	ELECT CHIP	4.7μF	20%	25V
C2130	1-100-597-91	CERAMIC CHIP	0.1μF	10%	25V	C2197	1-100-764-21	ELECT CHIP	4.7μF	20%	25V
C2131	1-126-396-11	ELECT CHIP	47μF	20%	16V	C2198	1-112-777-11	CERAMIC CHIP	0.01μF	10%	25V
C2132	1-115-340-11	CERAMIC CHIP	0.22μF	10%	25V	C2199	1-112-777-11	CERAMIC CHIP	0.01μF	10%	25V
C2133	1-115-340-11	CERAMIC CHIP	0.22μF	10%	25V	C2200	1-127-573-11	CERAMIC CHIP	1μF	10%	16V
C2134	1-125-889-11	CERAMIC CHIP	2.2μF	10%	10V	C2201	1-127-573-11	CERAMIC CHIP	1μF	10%	16V
C2135	1-125-889-11	CERAMIC CHIP	2.2μF	10%	10V	C2204	1-100-764-21	ELECT CHIP	4.7μF	20%	25V
C2136	1-115-340-11	CERAMIC CHIP	0.22μF	10%	25V	C2205	1-100-764-21	ELECT CHIP	4.7μF	20%	25V
C2137	1-115-340-11	CERAMIC CHIP	0.22μF	10%	25V	C2206	1-100-764-21	ELECT CHIP	4.7μF	20%	25V
C2138	1-115-340-11	CERAMIC CHIP	0.22μF	10%	25V	C2207	1-100-764-21	ELECT CHIP	4.7μF	20%	25V
C2139	1-115-340-11	CERAMIC CHIP	0.22μF	10%	25V	C2208	1-164-938-11	CERAMIC CHIP	0.0015μF	10%	50V
C2140	1-125-889-11	CERAMIC CHIP	2.2μF	10%	10V	C2209	1-164-938-11	CERAMIC CHIP	0.0015μF	10%	50V
C2141	1-125-889-11	CERAMIC CHIP	2.2μF	10%	10V	C2210	1-164-938-11	CERAMIC CHIP	0.0015μF	10%	50V
C2142	1-164-874-11	CERAMIC CHIP	100pF	5%	50V	C2211	1-164-938-11	CERAMIC CHIP	0.0015μF	10%	50V
C2143	1-125-889-11	CERAMIC CHIP	2.2μF	10%	10V	C2212	1-164-938-11	CERAMIC CHIP	0.0015μF	10%	50V
C2144	1-164-874-11	CERAMIC CHIP	100pF	5%	50V	C2213	1-164-938-11	CERAMIC CHIP	0.0015μF	10%	50V
C2145	1-100-591-91	CERAMIC CHIP	1μF	10%	25V	C2214	1-164-938-11	CERAMIC CHIP	0.0015μF	10%	50V
C2146	1-100-591-91	CERAMIC CHIP	1μF	10%	25V	C2215	1-164-938-11	CERAMIC CHIP	0.0015μF	10%	50V
C2149	1-126-396-11	ELECT CHIP	47μF	20%	16V	C2216	1-100-756-91	CERAMIC CHIP	0.047μF		50V
C2150	1-126-396-11	ELECT CHIP	47μF	20%	16V	C2217	1-125-889-11	CERAMIC CHIP	2.2μF	10%	10V
C2156	1-100-597-91	CERAMIC CHIP	0.1μF	10%	25V	C2218	1-125-889-11	CERAMIC CHIP	2.2μF	10%	10V
C2157	1-100-597-91	CERAMIC CHIP	0.1μF	10%	25V	C2221	1-125-889-11	CERAMIC CHIP	2.2μF	10%	10V
C2158	1-100-597-91	CERAMIC CHIP	0.1μF	10%	25V	C2223	1-125-889-11	CERAMIC CHIP	2.2μF	10%	10V



REF. NO.	PART NO.	DESCRIPTION	VALUES			REF. NO.	PART NO.	DESCRIPTION	VALUES		
C3005	1-100-906-11	CERAMIC CHIP	0.01μF	10%	16V	C4509	1-100-899-81	CERAMIC CHIP	0.082μF	10%	10V
C3006	1-100-906-11	CERAMIC CHIP	0.01μF	10%	16V	C4510	1-100-566-91	CERAMIC CHIP	0.1μF	10%	25V
C3007	1-100-906-11	CERAMIC CHIP	0.01μF	10%	16V	C4511	1-100-566-91	CERAMIC CHIP	0.1μF	10%	25V
C3010	1-100-916-11	CERAMIC CHIP	0.1μF	10%	16V	C4512	1-100-566-91	CERAMIC CHIP	0.1μF	10%	25V
C3011	1-126-206-11	ELECT CHIP	100μF	20%	6.3V	C4513	1-100-566-91	CERAMIC CHIP	0.1μF	10%	25V
C3019	1-162-912-11	CERAMIC CHIP	7pF	0.50pF	50V	C4514	1-100-765-21	ELECT CHIP	10μF	20%	16V
C3057	1-100-907-11	CERAMIC CHIP	0.1μF	10%	10V	C4515	1-100-566-91	CERAMIC CHIP	0.1μF	10%	25V
C3062	1-112-066-11	CERAMIC CHIP	10μF	10%	10V	C4516	1-100-566-91	CERAMIC CHIP	0.1μF	10%	25V
C3063	1-100-907-11	CERAMIC CHIP	0.1μF	10%	10V	C4517	1-100-566-91	CERAMIC CHIP	0.1μF	10%	25V
C3066	1-100-907-11	CERAMIC CHIP	0.1μF	10%	10V	C4518	1-100-566-91	CERAMIC CHIP	0.1μF	10%	25V
C3070	1-100-906-11	CERAMIC CHIP	0.01μF	10%	16V	C4519	1-100-566-91	CERAMIC CHIP	0.1μF	10%	25V
C3072	1-100-905-11	CERAMIC CHIP	0.001μF	10%	50V	C4520	1-100-566-91	CERAMIC CHIP	0.1μF	10%	25V
C3076	1-165-908-11	CERAMIC CHIP	1μF	10%	10V	C4521	1-100-765-21	ELECT CHIP	10μF	20%	16V
C3081	1-112-066-11	CERAMIC CHIP	10μF	10%	10V	C4522	1-100-566-91	CERAMIC CHIP	0.1μF	10%	25V
C3083	1-100-907-11	CERAMIC CHIP	0.1μF	10%	10V	C4523	1-100-566-91	CERAMIC CHIP	0.1μF	10%	25V
C3084	1-100-905-11	CERAMIC CHIP	0.001μF	10%	50V	C4524	1-100-566-91	CERAMIC CHIP	0.1μF	10%	25V
C3110	1-125-777-11	CERAMIC CHIP	0.1μF	10%	10V	C4525	1-100-566-91	CERAMIC CHIP	0.1μF	10%	25V
C3112	1-100-905-11	CERAMIC CHIP	0.001μF	10%	50V	C4526	1-100-566-91	CERAMIC CHIP	0.1μF	10%	25V
C3113	1-162-970-11	CERAMIC CHIP	0.01μF	10%	25V	C4527	1-100-566-91	CERAMIC CHIP	0.1μF	10%	25V
C3114	1-107-826-11	CERAMIC CHIP	0.1μF	10%	16V	C4528	1-100-765-21	ELECT CHIP	10μF	20%	16V
C3115	1-162-919-11	CERAMIC CHIP	22pF	5%	50V	C4529	1-100-566-91	CERAMIC CHIP	0.1μF	10%	25V
C3116	1-162-919-11	CERAMIC CHIP	22pF	5%	50V	C4530	1-100-566-91	CERAMIC CHIP	0.1μF	10%	25V
C3118	1-126-394-11	ELECT CHIP	10μF	20%	16V	C4531	1-100-566-91	CERAMIC CHIP	0.1μF	10%	25V
C3119	1-162-970-11	CERAMIC CHIP	0.01μF	10%	25V	C4532	1-100-566-91	CERAMIC CHIP	0.1μF	10%	25V
C4001	1-100-905-11	CERAMIC CHIP	0.001μF	10%	50V	C4533	1-100-566-91	CERAMIC CHIP	0.1μF	10%	25V
C4030	1-107-826-11	CERAMIC CHIP	0.1μF	10%	16V	C4534	1-100-566-91	CERAMIC CHIP	0.1μF	10%	25V
C4033	1-112-777-11	CERAMIC CHIP	0.01μF	10%	25V	C4538	1-124-779-00	ELECT CHIP	10μF	20%	16V
C4034	1-112-046-11	CERAMIC CHIP	4.7μF	10%	6.3V	C4539	1-124-779-00	ELECT CHIP	10μF	20%	16V
C4035	1-127-573-11	CERAMIC CHIP	1μF	10%	16V	C4540	1-124-779-00	ELECT CHIP	10μF	20%	16V
C4040	1-100-905-11	CERAMIC CHIP	0.001μF	10%	50V	C4544	1-126-210-21	ELECT CHIP	220μF	20%	4V
C4041	1-164-935-11	CERAMIC CHIP	470pF	10%	50V	C4545	1-100-566-91	CERAMIC CHIP	0.1μF	10%	25V
C4042	1-164-935-11	CERAMIC CHIP	470pF	10%	50V	C4546	1-100-588-21	ELECT CHIP	1000μF	20%	6.3V
C4043	1-164-935-11	CERAMIC CHIP	470pF	10%	50V	C4547	1-100-566-91	CERAMIC CHIP	0.1μF	10%	25V
C4044	1-164-935-11	CERAMIC CHIP	470pF	10%	50V	C4548	1-100-588-21	ELECT CHIP	1000μF	20%	6.3V
C4045	1-164-935-11	CERAMIC CHIP	470pF	10%	50V	C4549	1-128-396-11	ELECT CHIP	470μF	20%	10V
C4046	1-164-874-11	CERAMIC CHIP	100pF	5%	50V	C5002	1-100-916-11	CERAMIC CHIP	0.1μF	10%	16V
C4049	1-100-912-11	CERAMIC CHIP	1μF	10%	25V	C5005	1-162-927-11	CERAMIC CHIP	100pF	5%	50V
C4501	1-100-756-91	CERAMIC CHIP	0.047μF	50V		C5006	1-162-927-11	CERAMIC CHIP	100pF	5%	50V
C4502	1-100-756-91	CERAMIC CHIP	0.047μF	50V		C5008	1-165-908-11	CERAMIC CHIP	1μF	10%	10V
C4503	1-100-756-91	CERAMIC CHIP	0.047μF	50V		C5009	1-100-906-11	CERAMIC CHIP	0.01μF	10%	16V
C4504	1-100-756-91	CERAMIC CHIP	0.047μF	50V		C5502	1-125-777-11	CERAMIC CHIP	0.1μF	10%	10V
C4505	1-100-756-91	CERAMIC CHIP	0.047μF	50V		C5505	1-125-777-11	CERAMIC CHIP	0.1μF	10%	10V
C4506	1-100-756-91	CERAMIC CHIP	0.047μF	50V		C5509	1-100-567-81	CERAMIC CHIP	0.01μF	10%	25V
C4507	1-164-937-11	CERAMIC CHIP	0.001μF	10%	50V	C5510	1-100-567-81	CERAMIC CHIP	0.01μF	10%	25V
C4508	1-164-174-11	CERAMIC CHIP	0.0082μF	10%	25V	C5528	1-125-777-11	CERAMIC CHIP	0.1μF	10%	10V



REF. NO.	PART NO.	DESCRIPTION	VALUES			REF. NO.	PART NO.	DESCRIPTION	VALUES		
C5529	1-100-905-11	CERAMIC CHIP	0.001μF	10%	50V	C7033	1-127-988-81	CERAMIC CHIP	0.015μF	10%	16V
C5530	1-112-066-11	CERAMIC CHIP	10μF	10%	10V	C7034	1-164-858-11	CERAMIC CHIP	22pF	5%	50V
C5531	1-125-777-11	CERAMIC CHIP	0.1μF	10%	10V	C7035	1-100-916-11	CERAMIC CHIP	0.1μF	10%	16V
C5623	1-100-906-11	CERAMIC CHIP	0.01μF	10%	16V	C7036	1-164-937-11	CERAMIC CHIP	0.001μF	10%	50V
C5624	1-100-906-11	CERAMIC CHIP	0.01μF	10%	16V	C7037	1-165-887-91	CERAMIC CHIP	0.22μF	10%	6.3V
C5625	1-125-777-11	CERAMIC CHIP	0.1μF	10%	10V	C7038	1-127-988-81	CERAMIC CHIP	0.015μF	10%	16V
C5626	1-100-905-11	CERAMIC CHIP	0.001μF	10%	50V	C7039	1-127-988-81	CERAMIC CHIP	0.015μF	10%	16V
C5627	1-100-905-11	CERAMIC CHIP	0.001μF	10%	50V	C7040	1-164-858-11	CERAMIC CHIP	22pF	5%	50V
C5628	1-100-905-11	CERAMIC CHIP	0.001μF	10%	50V	C7041	1-100-916-11	CERAMIC CHIP	0.1μF	10%	16V
C5629	1-100-905-11	CERAMIC CHIP	0.001μF	10%	50V	C7042	1-164-937-11	CERAMIC CHIP	0.001μF	10%	50V
C5630	1-100-905-11	CERAMIC CHIP	0.001μF	10%	50V	C7043	1-165-887-91	CERAMIC CHIP	0.22μF	10%	6.3V
C5631	1-100-905-11	CERAMIC CHIP	0.001μF	10%	50V	C7044	1-127-988-81	CERAMIC CHIP	0.015μF	10%	16V
C5632	1-100-905-11	CERAMIC CHIP	0.001μF	10%	50V	C7045	1-164-937-11	CERAMIC CHIP	0.001μF	10%	50V
C5633	1-100-905-11	CERAMIC CHIP	0.001μF	10%	50V	C7046	1-164-937-11	CERAMIC CHIP	0.001μF	10%	50V
C5634	1-112-066-11	CERAMIC CHIP	10μF	10%	10V	C7047	1-164-882-11	CERAMIC CHIP	220pF	5%	16V
C5635	1-100-906-11	CERAMIC CHIP	0.01μF	10%	16V	C7048	1-164-882-11	CERAMIC CHIP	220pF	5%	16V
C5636	1-100-905-11	CERAMIC CHIP	0.001μF	10%	50V	C7049	1-164-882-11	CERAMIC CHIP	220pF	5%	16V
C5637	1-100-905-11	CERAMIC CHIP	0.001μF	10%	50V	C7050	1-164-882-11	CERAMIC CHIP	220pF	5%	16V
C7000	1-135-960-91	CERAMIC CHIP	10μF	10%	25V	C7051	1-135-960-91	CERAMIC CHIP	10μF	10%	25V
C7001	1-135-960-91	CERAMIC CHIP	10μF	10%	25V	C7052	1-135-960-91	CERAMIC CHIP	10μF	10%	25V
C7002	1-117-681-11	ELECT CHIP	100μF	20%	16V	C7053	1-165-908-11	CERAMIC CHIP	1μF	10%	10V
C7003	1-127-573-11	CERAMIC CHIP	1μF	10%	16V	C7054	1-165-908-11	CERAMIC CHIP	1μF	10%	10V
C7004	1-128-536-11	ELECT CHIP	100μF	20%	25V	C7055	1-165-908-11	CERAMIC CHIP	1μF	10%	10V
C7005	1-100-597-91	CERAMIC CHIP	0.1μF	10%	25V	C7056	1-100-566-91	CERAMIC CHIP	0.1μF	10%	25V
C7006	1-112-794-11	ELECT CHIP	470μF	20%	16V	C7057	1-100-566-91	CERAMIC CHIP	0.1μF	10%	25V
C7007	1-135-960-91	CERAMIC CHIP	10μF	10%	25V	C7058	1-165-908-11	CERAMIC CHIP	1μF	10%	10V
C7008	1-100-911-11	CERAMIC CHIP	4.7μF	10%	25V	C7059	1-165-908-11	CERAMIC CHIP	1μF	10%	10V
C7009	1-162-970-11	CERAMIC CHIP	0.01μF	10%	25V	C7060	1-165-908-11	CERAMIC CHIP	1μF	10%	10V
C7010	1-127-820-11	CERAMIC CHIP	4.7μF	10%	16V	C7061	1-100-566-91	CERAMIC CHIP	0.1μF	10%	25V
C7011	1-112-789-11	ELECT CHIP	1000μF	20%	6.3V	C7062	1-100-566-91	CERAMIC CHIP	0.1μF	10%	25V
C7012	1-107-826-11	CERAMIC CHIP	0.1μF	10%	16V	C7063	1-165-908-11	CERAMIC CHIP	1μF	10%	10V
C7015	1-100-588-21	ELECT CHIP	1000μF	20%	6.3V	C7064	1-165-908-11	CERAMIC CHIP	1μF	10%	10V
C7019	1-100-566-91	CERAMIC CHIP	0.1μF	10%	25V	C7065	1-100-912-11	CERAMIC CHIP	1μF	10%	25V
C7020	1-100-566-91	CERAMIC CHIP	0.1μF	10%	25V	C7066	1-100-912-11	CERAMIC CHIP	1μF	10%	25V
C7021	1-126-210-21	ELECT CHIP	220μF	20%	4V	C7067	1-100-566-91	CERAMIC CHIP	0.1μF	10%	25V
C7023	1-100-916-11	CERAMIC CHIP	0.1μF	10%	16V	C7068	1-100-566-91	CERAMIC CHIP	0.1μF	10%	25V
C7024	1-100-566-91	CERAMIC CHIP	0.1μF	10%	25V	C7073	1-135-960-91	CERAMIC CHIP	10μF	10%	25V
C7025	1-165-887-91	CERAMIC CHIP	0.22μF	10%	6.3V	C7074	1-135-960-91	CERAMIC CHIP	10μF	10%	25V
C7026	1-164-937-11	CERAMIC CHIP	0.001μF	10%	50V	C7075	1-135-960-91	CERAMIC CHIP	10μF	10%	25V
C7027	1-164-862-11	CERAMIC CHIP	33pF	5%	50V	C7076	1-135-960-91	CERAMIC CHIP	10μF	10%	25V
C7028	1-164-862-11	CERAMIC CHIP	33pF	5%	50V	C7077	1-125-837-91	CERAMIC CHIP	1μF	10%	6.3V
C7029	1-164-937-11	CERAMIC CHIP	0.001μF	10%	50V	C7078	1-165-875-11	CERAMIC CHIP	10μF	10%	10V
C7030	1-164-937-11	CERAMIC CHIP	0.001μF	10%	50V	C7079	1-165-875-11	CERAMIC CHIP	10μF	10%	10V
C7031	1-164-862-11	CERAMIC CHIP	33pF	5%	50V	C7080	1-100-055-11	CERAMIC CHIP	22μF	20%	16V
C7032	1-164-862-11	CERAMIC CHIP	33pF	5%	50V	C7081	1-100-055-11	CERAMIC CHIP	22μF	20%	16V



REF. NO.	PART NO.	DESCRIPTION	VALUES			REF. NO.	PART NO.	DESCRIPTION	VALUES		
C7086	1-107-826-11	CERAMIC CHIP	0.1μF	10%	16V	C7233	1-114-148-11	CERAMIC CHIP	1μF	6.3V	
C7087	1-107-826-11	CERAMIC CHIP	0.1μF	10%	16V	C7234	1-114-148-11	CERAMIC CHIP	1μF	6.3V	
C7088	1-107-826-11	CERAMIC CHIP	0.1μF	10%	16V	C7235	1-114-148-11	CERAMIC CHIP	1μF	6.3V	
C7089	1-107-826-11	CERAMIC CHIP	0.1μF	10%	16V	C7236	1-114-148-11	CERAMIC CHIP	1μF	6.3V	
C7090	1-126-210-21	ELECT CHIP	220μF	20%	4V	C7237	1-114-148-11	CERAMIC CHIP	1μF	6.3V	
C7091	1-100-566-91	CERAMIC CHIP	0.1μF	10%	25V	C7238	1-114-148-11	CERAMIC CHIP	1μF	6.3V	
C7092	1-126-210-21	ELECT CHIP	220μF	20%	4V	C7239	1-114-148-11	CERAMIC CHIP	1μF	6.3V	
C7093	1-100-583-21	ELECT CHIP	470μF	20%	4V	C7240	1-114-148-11	CERAMIC CHIP	1μF	6.3V	
C7094	1-126-392-11	ELECT CHIP	100μF	20%	6.3V	C7241	1-114-148-11	CERAMIC CHIP	1μF	6.3V	
C7100	1-100-916-11	CERAMIC CHIP	0.1μF	10%	16V	C7242	1-100-583-21	ELECT CHIP	470μF	20%	4V
C7106	1-112-794-11	ELECT CHIP	470μF	20%	16V	C7243	1-100-916-11	CERAMIC CHIP	0.1μF	10%	16V
C7107	1-100-588-21	ELECT CHIP	1000μF	20%	6.3V	C7244	1-100-916-11	CERAMIC CHIP	0.1μF	10%	16V
C7200	1-100-583-21	ELECT CHIP	470μF	20%	4V	C7245	1-100-909-11	CERAMIC CHIP	10μF	10%	6.3V
C7201	1-100-916-11	CERAMIC CHIP	0.1μF	10%	16V	C7246	1-100-916-11	CERAMIC CHIP	0.1μF	10%	16V
C7202	1-100-916-11	CERAMIC CHIP	0.1μF	10%	16V	C7247	1-100-916-11	CERAMIC CHIP	0.1μF	10%	16V
C7203	1-100-916-11	CERAMIC CHIP	0.1μF	10%	16V	C7248	1-100-159-91	CERAMIC CHIP	22μF	10%	6.3V
C7204	1-114-148-11	CERAMIC CHIP	1μF		6.3V	C7249	1-100-916-11	CERAMIC CHIP	0.1μF	10%	16V
C7205	1-100-916-11	CERAMIC CHIP	0.1μF	10%	16V	C7250	1-100-916-11	CERAMIC CHIP	0.1μF	10%	16V
C7206	1-100-916-11	CERAMIC CHIP	0.1μF	10%	16V	C7251	1-100-916-11	CERAMIC CHIP	0.1μF	10%	16V
C7207	1-100-916-11	CERAMIC CHIP	0.1μF	10%	16V	C7252	1-100-916-11	CERAMIC CHIP	0.1μF	10%	16V
C7208	1-126-210-21	ELECT CHIP	220μF	20%	4V	C7253	1-100-916-11	CERAMIC CHIP	0.1μF	10%	16V
C7209	1-100-916-11	CERAMIC CHIP	0.1μF	10%	16V	C7254	1-100-916-11	CERAMIC CHIP	0.1μF	10%	16V
C7210	1-100-916-11	CERAMIC CHIP	0.1μF	10%	16V	C7255	1-114-148-11	CERAMIC CHIP	1μF		6.3V
C7211	1-100-916-11	CERAMIC CHIP	0.1μF	10%	16V	C7256	1-114-148-11	CERAMIC CHIP	1μF		6.3V
C7212	1-100-909-11	CERAMIC CHIP	10μF	10%	6.3V	C7257	1-100-916-11	CERAMIC CHIP	0.1μF	10%	16V
C7213	1-100-916-11	CERAMIC CHIP	0.1μF	10%	16V	C7258	1-100-916-11	CERAMIC CHIP	0.1μF	10%	16V
C7214	1-100-916-11	CERAMIC CHIP	0.1μF	10%	16V	C7259	1-114-148-11	CERAMIC CHIP	1μF		6.3V
C7215	1-100-909-11	CERAMIC CHIP	10μF	10%	6.3V	C7260	1-114-148-11	CERAMIC CHIP	1μF		6.3V
C7216	1-100-583-21	ELECT CHIP	470μF	20%	4V	C7261	1-100-909-11	CERAMIC CHIP	10μF	10%	6.3V
C7217	1-100-916-11	CERAMIC CHIP	0.1μF	10%	16V	C7262	1-114-148-11	CERAMIC CHIP	1μF		6.3V
C7218	1-100-916-11	CERAMIC CHIP	0.1μF	10%	16V	C7263	1-114-148-11	CERAMIC CHIP	1μF		6.3V
C7219	1-100-916-11	CERAMIC CHIP	0.1μF	10%	16V	C7264	1-114-148-11	CERAMIC CHIP	1μF		6.3V
C7220	1-100-909-11	CERAMIC CHIP	10μF	10%	6.3V	C7265	1-100-916-11	CERAMIC CHIP	0.1μF	10%	16V
C7221	1-100-916-11	CERAMIC CHIP	0.1μF	10%	16V	C7266	1-100-916-11	CERAMIC CHIP	0.1μF	10%	16V
C7222	1-100-916-11	CERAMIC CHIP	0.1μF	10%	16V	C7267	1-100-916-11	CERAMIC CHIP	0.1μF	10%	16V
C7223	1-100-909-11	CERAMIC CHIP	10μF	10%	6.3V	C7268	1-100-916-11	CERAMIC CHIP	0.1μF	10%	16V
C7224	1-114-148-11	CERAMIC CHIP	1μF		6.3V	C7269	1-100-916-11	CERAMIC CHIP	0.1μF	10%	16V
C7225	1-114-148-11	CERAMIC CHIP	1μF		6.3V	C7270	1-100-916-11	CERAMIC CHIP	0.1μF	10%	16V
C7226	1-114-148-11	CERAMIC CHIP	1μF		6.3V	C7271	1-164-854-11	CERAMIC CHIP	15pF	5%	50V
C7227	1-100-916-11	CERAMIC CHIP	0.1μF	10%	16V	C7272	1-164-854-11	CERAMIC CHIP	15pF	5%	50V
C7228	1-100-916-11	CERAMIC CHIP	0.1μF	10%	16V	C7273	1-165-989-11	CERAMIC CHIP	10μF	10%	6.3V
C7229	1-114-148-11	CERAMIC CHIP	1μF		6.3V	C7274	1-100-909-11	CERAMIC CHIP	10μF	10%	6.3V
C7230	1-114-148-11	CERAMIC CHIP	1μF		6.3V	C7275	1-100-909-11	CERAMIC CHIP	10μF	10%	6.3V
C7231	1-114-148-11	CERAMIC CHIP	1μF		6.3V	C7276	1-100-909-11	CERAMIC CHIP	10μF	10%	6.3V
C7232	1-114-148-11	CERAMIC CHIP	1μF		6.3V	C7277	1-165-989-11	CERAMIC CHIP	10μF	10%	6.3V



REF. NO.	PART NO.	DESCRIPTION	VALUES			REF. NO.	PART NO.	DESCRIPTION	VALUES		
C7278	1-165-989-11	CERAMIC CHIP	10μF	10%	6.3V	C7515	1-100-916-11	CERAMIC CHIP	0.1μF	10%	16V
C7279	1-100-566-91	CERAMIC CHIP	0.1μF	10%	25V	C7600	1-100-916-11	CERAMIC CHIP	0.1μF	10%	16V
C7280	1-126-210-21	ELECT CHIP	220μF	20%	4V	C7700	1-100-916-11	CERAMIC CHIP	0.1μF	10%	16V
C7300	1-117-681-11	ELECT CHIP	100μF	20%	16V	C7701	1-100-916-11	CERAMIC CHIP	0.1μF	10%	16V
C7301	1-100-566-91	CERAMIC CHIP	0.1μF	10%	25V	C7702	1-100-916-11	CERAMIC CHIP	0.1μF	10%	16V
C7302	1-100-566-91	CERAMIC CHIP	0.1μF	10%	25V	C7703	1-100-916-11	CERAMIC CHIP	0.1μF	10%	16V
C7303	1-100-055-11	CERAMIC CHIP	22μF	20%	16V	C7704	1-100-916-11	CERAMIC CHIP	0.1μF	10%	16V
C7305	1-117-681-11	ELECT CHIP	100μF	20%	16V	C7705	1-100-916-11	CERAMIC CHIP	0.1μF	10%	16V
C7306	1-100-567-81	CERAMIC CHIP	0.01μF	10%	25V	C7706	1-100-916-11	CERAMIC CHIP	0.1μF	10%	16V
C7400	1-100-916-11	CERAMIC CHIP	0.1μF	10%	16V	C7707	1-100-916-11	CERAMIC CHIP	0.1μF	10%	16V
C7401	1-100-916-11	CERAMIC CHIP	0.1μF	10%	16V	C7720	1-125-837-91	CERAMIC CHIP	1μF	10%	6.3V
C7402	1-100-916-11	CERAMIC CHIP	0.1μF	10%	16V	C7800	1-100-916-11	CERAMIC CHIP	0.1μF	10%	16V
C7403	1-100-506-91	CERAMIC CHIP	1μF	20%	6.3V	C7801	1-100-916-11	CERAMIC CHIP	0.1μF	10%	16V
C7404	1-100-916-11	CERAMIC CHIP	0.1μF	10%	16V	C7804	1-100-916-11	CERAMIC CHIP	0.1μF	10%	16V
C7405	1-100-916-11	CERAMIC CHIP	0.1μF	10%	16V	C7805	1-100-916-11	CERAMIC CHIP	0.1μF	10%	16V
C7406	1-100-916-11	CERAMIC CHIP	0.1μF	10%	16V	C7807	1-100-916-11	CERAMIC CHIP	0.1μF	10%	16V
C7407	1-100-916-11	CERAMIC CHIP	0.1μF	10%	16V	C7808	1-100-916-11	CERAMIC CHIP	0.1μF	10%	16V
C7408	1-100-916-11	CERAMIC CHIP	0.1μF	10%	16V	C7809	1-100-916-11	CERAMIC CHIP	0.1μF	10%	16V
C7409	1-100-916-11	CERAMIC CHIP	0.1μF	10%	16V	C7810	1-100-916-11	CERAMIC CHIP	0.1μF	10%	16V
C7410	1-100-916-11	CERAMIC CHIP	0.1μF	10%	16V	C7811	1-165-989-11	CERAMIC CHIP	10μF	10%	6.3V
C7411	1-114-148-11	CERAMIC CHIP	1μF		6.3V	C7812	1-100-916-11	CERAMIC CHIP	0.1μF	10%	16V
C7412	1-114-148-11	CERAMIC CHIP	1μF		6.3V	C7813	1-100-916-11	CERAMIC CHIP	0.1μF	10%	16V
C7413	1-114-148-11	CERAMIC CHIP	1μF		6.3V	C7814	1-100-916-11	CERAMIC CHIP	0.1μF	10%	16V
C7417	1-100-916-11	CERAMIC CHIP	0.1μF	10%	16V	C7815	1-100-916-11	CERAMIC CHIP	0.1μF	10%	16V
C7418	1-100-916-11	CERAMIC CHIP	0.1μF	10%	16V	C7816	1-165-989-11	CERAMIC CHIP	10μF	10%	6.3V
C7420	1-100-916-11	CERAMIC CHIP	0.1μF	10%	16V	C7817	1-165-989-11	CERAMIC CHIP	10μF	10%	6.3V
C7422	1-114-148-11	CERAMIC CHIP	1μF		6.3V	C7818	1-100-566-91	CERAMIC CHIP	0.1μF	10%	25V
C7424	1-114-148-11	CERAMIC CHIP	1μF		6.3V	C7819	1-100-566-91	CERAMIC CHIP	0.1μF	10%	25V
C7425	1-114-148-11	CERAMIC CHIP	1μF		6.3V	C7820	1-164-864-11	CERAMIC CHIP	39pF	5%	50V
C7430	1-100-566-91	CERAMIC CHIP	0.1μF	10%	25V	C7821	1-164-858-11	CERAMIC CHIP	22pF	5%	50V
C7431	1-126-210-21	ELECT CHIP	220μF	20%	4V	C7822	1-164-858-11	CERAMIC CHIP	22pF	5%	50V
C7432	1-165-989-11	CERAMIC CHIP	10μF	10%	6.3V	C7823	1-164-868-11	CERAMIC CHIP	56pF	5%	50V
C7433	1-165-989-11	CERAMIC CHIP	10μF	10%	6.3V	C7824	1-164-868-11	CERAMIC CHIP	56pF	5%	50V
C7501	1-100-916-11	CERAMIC CHIP	0.1μF	10%	16V	C7825	1-164-864-11	CERAMIC CHIP	39pF	5%	50V
C7502	1-100-916-11	CERAMIC CHIP	0.1μF	10%	16V	C7828	1-164-862-11	CERAMIC CHIP	33pF	5%	50V
C7504	1-100-916-11	CERAMIC CHIP	0.1μF	10%	16V	C7829	1-164-862-11	CERAMIC CHIP	33pF	5%	50V
C7505	1-117-681-11	ELECT CHIP	100μF	20%	16V	C7831	1-107-819-11	CERAMIC CHIP	0.022μF	10%	16V
C7506	1-117-681-11	ELECT CHIP	100μF	20%	16V	C7832	1-126-205-11	ELECT CHIP	47μF	20%	6.3V
C7507	1-117-681-11	ELECT CHIP	100μF	20%	16V	C7833	1-125-777-11	CERAMIC CHIP	0.1μF	10%	10V
C7509	1-127-573-11	CERAMIC CHIP	1μF	10%	16V	C7835	1-164-860-11	CERAMIC CHIP	27pF	5%	50V
C7510	1-100-916-11	CERAMIC CHIP	0.1μF	10%	16V	C7836	1-164-860-11	CERAMIC CHIP	27pF	5%	50V
C7511	1-164-937-11	CERAMIC CHIP	0.001μF	10%	50V	C7837	1-164-840-11	CERAMIC CHIP	1pF	0.25pF	50V
C7512	1-125-891-11	CERAMIC CHIP	0.47μF	10%	10V	C7838	1-164-840-11	CERAMIC CHIP	1pF	0.25pF	50V
C7513	1-126-210-21	ELECT CHIP	220μF	20%	4V	C7840	1-164-860-11	CERAMIC CHIP	27pF	5%	50V
C7514	1-165-875-11	CERAMIC CHIP	10μF	10%	10V	C7841	1-164-860-11	CERAMIC CHIP	27pF	5%	50V



REF. NO.	PART NO.	DESCRIPTION	VALUES	REF. NO.	PART NO.	DESCRIPTION	VALUES
C7842	1-100-581-81	CERAMIC CHIP	0.0047μF 10% 50V	C9116	1-162-970-11	CERAMIC CHIP	0.01μF 10% 25V
C7844	1-117-681-11	ELECT CHIP	100μF 20% 16V	C9117	1-162-970-11	CERAMIC CHIP	0.01μF 10% 25V
C7845	1-100-916-11	CERAMIC CHIP	0.1μF 10% 16V	C9118	1-162-970-11	CERAMIC CHIP	0.01μF 10% 25V
C7846	1-137-765-21	ELECT CHIP	47μF 20% 16V	C9119	1-162-970-11	CERAMIC CHIP	0.01μF 10% 25V
C7847	1-164-939-11	CERAMIC CHIP	0.0022μF 10% 50V	C9121	1-162-970-11	CERAMIC CHIP	0.01μF 10% 25V
C7848	1-100-588-21	ELECT CHIP	1000μF 20% 6.3V	C9122	1-162-970-11	CERAMIC CHIP	0.01μF 10% 25V
C7849	1-100-567-81	CERAMIC CHIP	0.01μF 10% 25V	C9123	1-162-970-11	CERAMIC CHIP	0.01μF 10% 25V
C7850	1-100-905-11	CERAMIC CHIP	0.001μF 10% 50V	C9124	1-162-970-11	CERAMIC CHIP	0.01μF 10% 25V
C7852	1-128-396-11	ELECT CHIP	470μF 20% 10V	C9125	1-162-970-11	CERAMIC CHIP	0.01μF 10% 25V
C7853	1-100-567-81	CERAMIC CHIP	0.01μF 10% 25V	C9126	1-162-970-11	CERAMIC CHIP	0.01μF 10% 25V
C7854	1-112-777-11	CERAMIC CHIP	0.01μF 10% 25V	C9127	1-162-970-11	CERAMIC CHIP	0.01μF 10% 25V
C7855	1-165-887-91	CERAMIC CHIP	0.22μF 10% 6.3V	C9128	1-162-970-11	CERAMIC CHIP	0.01μF 10% 25V
C7856	1-100-905-11	CERAMIC CHIP	0.001μF 10% 50V	C9129	1-162-970-11	CERAMIC CHIP	0.01μF 10% 25V
C7857	1-100-159-91	CERAMIC CHIP	22μF 10% 6.3V	C9130	1-162-970-11	CERAMIC CHIP	0.01μF 10% 25V
C7858	1-164-874-11	CERAMIC CHIP	100pF 5% 50V	C9131	1-162-970-11	CERAMIC CHIP	0.01μF 10% 25V
C7859	1-164-874-11	CERAMIC CHIP	100pF 5% 50V	C9132	1-162-970-11	CERAMIC CHIP	0.01μF 10% 25V
C7862	1-112-046-11	CERAMIC CHIP	4.7μF 10% 6.3V	C9133	1-162-970-11	CERAMIC CHIP	0.01μF 10% 25V
C7863	1-100-916-11	CERAMIC CHIP	0.1μF 10% 16V	C9134	1-162-970-11	CERAMIC CHIP	0.01μF 10% 25V
C7864	1-100-916-11	CERAMIC CHIP	0.1μF 10% 16V	C9135	1-162-970-11	CERAMIC CHIP	0.01μF 10% 25V
C7866	1-164-874-11	CERAMIC CHIP	100pF 5% 50V	C9136	1-162-970-11	CERAMIC CHIP	0.01μF 10% 25V
C7867	1-164-862-11	CERAMIC CHIP	33pF 5% 50V	C9137	1-165-989-11	CERAMIC CHIP	10μF 10% 6.3V
C7870	1-165-989-11	CERAMIC CHIP	10μF 10% 6.3V	C9138	1-107-826-11	CERAMIC CHIP	0.1μF 10% 16V
C7871	1-165-989-11	CERAMIC CHIP	10μF 10% 6.3V	C9139	1-162-964-11	CERAMIC CHIP	0.001μF 10% 50V
C7878	1-128-396-11	ELECT CHIP	470μF 20% 10V	C9140	1-162-970-11	CERAMIC CHIP	0.01μF 10% 25V
C7879	1-162-995-11	CERAMIC CHIP	0.022μF 50V	C9143	1-162-964-11	CERAMIC CHIP	0.001μF 10% 50V
C7950	1-100-567-81	CERAMIC CHIP	0.01μF 10% 25V	C9144	1-162-970-11	CERAMIC CHIP	0.01μF 10% 25V
C7951	1-100-567-81	CERAMIC CHIP	0.01μF 10% 25V	C9145	1-107-826-11	CERAMIC CHIP	0.1μF 10% 16V
C7952	1-165-908-11	CERAMIC CHIP	1μF 10% 10V	C9146	1-162-964-11	CERAMIC CHIP	0.001μF 10% 50V
C7953	1-100-916-11	CERAMIC CHIP	0.1μF 10% 16V	C9147	1-162-970-11	CERAMIC CHIP	0.01μF 10% 25V
C7954	1-100-916-11	CERAMIC CHIP	0.1μF 10% 16V	C9149	1-107-826-11	CERAMIC CHIP	0.1μF 10% 16V
C7956	1-100-916-11	CERAMIC CHIP	0.1μF 10% 16V	C9150	1-162-970-11	CERAMIC CHIP	0.01μF 10% 25V
C7958	1-100-916-11	CERAMIC CHIP	0.1μF 10% 16V	C9151	1-165-989-11	CERAMIC CHIP	10μF 10% 6.3V
C7959	1-100-916-11	CERAMIC CHIP	0.1μF 10% 16V	C9152	1-165-989-11	CERAMIC CHIP	10μF 10% 6.3V
C9100	1-126-210-21	ELECT CHIP	220μF 20% 4V	C9153	1-162-970-11	CERAMIC CHIP	0.01μF 10% 25V
C9101	1-126-210-21	ELECT CHIP	220μF 20% 4V	C9154	1-162-964-11	CERAMIC CHIP	0.001μF 10% 50V
C9105	1-162-970-11	CERAMIC CHIP	0.01μF 10% 25V	C9155	1-107-826-11	CERAMIC CHIP	0.1μF 10% 16V
C9106	1-162-970-11	CERAMIC CHIP	0.01μF 10% 25V	C9156	1-107-826-11	CERAMIC CHIP	0.1μF 10% 16V
C9107	1-162-970-11	CERAMIC CHIP	0.01μF 10% 25V	C9157	1-107-826-11	CERAMIC CHIP	0.1μF 10% 16V
C9108	1-162-970-11	CERAMIC CHIP	0.01μF 10% 25V	C9158	1-162-968-11	CERAMIC CHIP	0.0047μF 10% 50V
C9110	1-162-970-11	CERAMIC CHIP	0.01μF 10% 25V	C9159	1-162-970-11	CERAMIC CHIP	0.01μF 10% 25V
C9111	1-162-970-11	CERAMIC CHIP	0.01μF 10% 25V	C9160	1-162-970-11	CERAMIC CHIP	0.01μF 10% 25V
C9112	1-162-970-11	CERAMIC CHIP	0.01μF 10% 25V	C9161	1-162-964-11	CERAMIC CHIP	0.001μF 10% 50V
C9113	1-162-970-11	CERAMIC CHIP	0.01μF 10% 25V	C9162	1-162-970-11	CERAMIC CHIP	0.01μF 10% 25V
C9114	1-162-970-11	CERAMIC CHIP	0.01μF 10% 25V	C9163	1-164-315-11	CERAMIC CHIP	470pF 5% 50V
C9115	1-107-826-11	CERAMIC CHIP	0.1μF 10% 16V				

NOTE: The components identified by shading and \triangle mark are critical for safety. Replace only with part number specified.

NOTE: Les composants identifiés par un trame et une marque \triangle sont critiques pour la sécurité. Ne les remplacer que par une pièce portant le numéro spécifié.



REF. NO.	PART NO.	DESCRIPTION	VALUES	REF. NO.	PART NO.	DESCRIPTION	VALUES	
CONNECTOR				D5517	6-500-701-01	DIODE	PGB1010603NR	
*	CN1400	1-819-928-11	HEADER ASSEMBLY	20P	D5525	1-216-864-11	SHORT CHIP	
*	CN2000	1-819-461-11	HEADER ASSEMBLY FOR PWB	D5528	1-216-864-11	SHORT CHIP		
	CN3004	1-779-936-51	CONNECTOR, FFC/FPC	18P	D7000	8-719-081-97	DIODE	MMDL914T1
*	CN3008	1-820-188-11	HEADER ASSEMBLY (PRINT PWB)	11P	D7001	8-719-988-61	DIODE	1SS355TE-17
*	CN4001	1-820-550-11	HEADER ASSEMBLY FOR PWB	D7002	6-500-253-01	DIODE	RB053L-30TE25	
	CN5000	1-821-013-11	D SUB CONNECTOR	D7003	8-719-977-28	DIODE	DTZ10B	
*	CN7301	1-819-333-11	HEADER ASSEMBLY FOR PWB	D7004	8-719-977-12	DIODE	DTZ6.8B	
	CN7303	1-820-187-11	HEADER ASSEMBLY (PRINT PWB)	10P	D7008	8-719-083-58	DIODE	UDZSNPTE-173.9B
*	CN7600	1-793-141-21	PIN, CONNECTOR (PC BOARD)	15P	D7010	8-719-081-34	DIODE	RB160M-30TR
*	CN9102	1-818-656-21	HEADER ASSEMBLY	30P	D7013	8-719-081-34	DIODE	RB160M-30TR
DIODE				D7019	6-500-253-01	DIODE	RB053L-30TE25	
	D1013	8-719-423-03	DIODE	MA8100	D7201	8-719-081-97	DIODE	MMDL914T1
	D1014	8-719-423-03	DIODE	MA8100	D7500	8-719-073-34	DIODE	EC21QS03L-TE12L
	D1015	8-719-423-03	DIODE	MA8100	D7801	8-719-058-24	DIODE	RB501V-40TE-17
	D1016	8-719-423-03	DIODE	MA8100	D7802	8-719-422-46	DIODE	MA8056
	D1019	8-719-423-03	DIODE	MA8100	D7803	8-719-422-46	DIODE	MA8056
	D1020	8-719-423-03	DIODE	MA8100	EARTH TERMINAL			
	D1021	8-719-423-03	DIODE	MA8100	ET4001	1-780-482-11	EARTH TERMINAL	
	D2002	8-719-404-50	DIODE	MA111-TX	ET4002	1-780-482-11	EARTH TERMINAL	
	D2008	8-719-404-50	DIODE	MA111-TX	ET4003	1-780-482-11	EARTH TERMINAL	
\triangle	D2014	6-500-028-01	DIODE	MM3Z9V1ST1	ET4004	1-780-482-11	EARTH TERMINAL	
	D2017	8-719-050-37	DIODE	M1MA152WA-T1	ET4005	1-780-482-11	EARTH TERMINAL	
	D2018	8-719-977-28	DIODE	DTZ10B	ET4006	1-780-482-11	EARTH TERMINAL	
	D2019	8-719-977-28	DIODE	DTZ10B	ET4007	1-780-482-11	EARTH TERMINAL	
	D2020	8-719-422-46	DIODE	MA8056	*	ET4012	1-780-431-11	ON-BOARD CONTACT
	D2021	8-719-422-46	DIODE	MA8056	*	ET4013	1-780-431-11	ON-BOARD CONTACT
	D2022	8-719-422-46	DIODE	MA8056	FUSE			
	D3002	8-719-071-87	DIODE	MA785-(TX),SO	F2000	1-576-958-21	FUSE	4A 24V
	D3007	8-719-077-59	DIODE	1PS302	F3001	1-576-646-11	FUSE	0.5A 50V
	D3020	8-719-422-46	DIODE	MA8056	F4001	1-576-933-21	FUSE	5A 24V
	D3021	8-719-422-46	DIODE	MA8056	\triangle F7000	1-576-603-21	FUSE	3.15A 24V
	D4012	8-719-017-89	DIODE	MA8150-TX	FERRITE BEAD			
	D5000	8-719-422-46	DIODE	MA8056	FB1700	1-216-864-11	SHORT CHIP	
	D5001	8-719-422-46	DIODE	MA8056	FB1701	1-412-983-31	INDUCTOR	2.2 μ H
	D5002	8-719-422-46	DIODE	MA8056	FB2000	1-400-212-22	FERRITE	0 μ H
	D5003	8-719-050-38	DIODE	M1MA152WK-T1	FB2006	1-400-089-21	FERRITE	0 μ H
	D5506	6-500-701-01	DIODE	PGB1010603NR	FB2007	1-400-089-21	FERRITE	0 μ H
	D5508	8-719-081-97	DIODE	MMDL914T1	FB2008	1-400-089-21	FERRITE	0 μ H
	D5509	6-500-701-01	DIODE	PGB1010603NR	FB2009	1-400-089-21	FERRITE	0 μ H
	D5513	6-500-701-01	DIODE	PGB1010603NR	FB2010	1-400-089-21	FERRITE	0 μ H
	D5516	8-719-081-97	DIODE	MMDL914T1				

NOTE: The components identified by shading and \triangle mark are critical for safety. Replace only with part number specified.

NOTE: Les composants identifiés par un trame et une marque \triangle sont critiques pour la sécurité. Ne les remplacer que par une pièce portant le numéro spécifié.



REF. NO.	PART NO.	DESCRIPTION	VALUES	REF. NO.	PART NO.	DESCRIPTION	VALUES
FB2012	1-400-089-21	FERRITE	0 μ H	FB7807	1-469-083-21	FERRITE	0 μ H
FB2013	1-400-089-21	FERRITE	0 μ H	FB7808	1-400-198-21	FERRITE	0 μ H
FB2014	1-400-089-21	FERRITE	0 μ H	FB7809	1-400-198-21	FERRITE	0 μ H
FB4001	1-400-089-21	FERRITE	0 μ H	FB9101	1-400-089-21	FERRITE	0 μ H
FB4002	1-400-110-21	FERRITE	0 μ H	FILTER			
FB4003	1-400-089-21	FERRITE	0 μ H	FL3001	1-234-177-21	FERRITE	0 μ H
FB4005	1-414-445-11	FERRITE	0 μ H	FL5501	1-234-177-21	FERRITE	0 μ H
FB4006	1-414-445-11	FERRITE	0 μ H	FL5502	1-234-177-21	FERRITE	0 μ H
FB4007	1-414-445-11	FERRITE	0 μ H	IC			
FB4008	1-400-591-22	FERRITE	0 μ H	IC1001	8-759-548-56	IC	M52055FP
FB4009	1-400-591-22	FERRITE	0 μ H	IC2004	8-759-278-58	IC	NJM4558V-TE2
FB4010	1-400-591-22	FERRITE	0 μ H	IC2005	8-759-460-79	IC	BA09FP-E2
FB4011	1-400-591-22	FERRITE	0 μ H	IC2006	8-759-278-58	IC	NJM4558V-TE2
FB4013	1-400-089-21	FERRITE	0 μ H	IC2008	6-709-927-01	IC	RT8H225C-TP-2
FB4501	1-412-983-31	INDUCTOR	2.2 μ H	IC2009	6-710-904-01	IC	TPA3100D2PHPR
FB4502	1-469-555-21	INDUCTOR	10 μ H	IC2010	8-759-359-49	IC	NJM3414AV(TE2)
FB5000	1-469-100-21	FERRITE	0 μ H	IC2011	6-709-927-01	IC	RT8H225C-TP-2
FB5001	1-469-100-21	FERRITE	0 μ H	IC2013	6-701-105-01	IC	NJM2750M-TE2
FB5002	1-469-100-21	FERRITE	0 μ H	IC2014	6-707-181-01	IC	AK5366VQ-L
FB5004	1-469-100-21	FERRITE	0 μ H	IC2015	6-704-819-01	IC	CS4335-KSZR
FB5005	1-400-141-22	FERRITE	0 μ H	IC2016	6-704-819-01	IC	CS4335-KSZR
FB7000	1-400-794-21	FERRITE	0 μ H	IC3005	6-704-607-01	IC	M24C16-WMN6T(B)
FB7003	1-400-089-21	FERRITE	0 μ H	IC3007	6-709-731-01	IC	ADT75ARZ-REEL
\triangle FB7200	1-414-229-11	FERRITE	0 μ H	IC3009	6-709-517-01	IC	S-35390A-J8T1G
\triangle FB7201	1-414-229-11	FERRITE	0 μ H	IC3010	6-801-402-01	IC	BD4729GTR
FB7202	1-414-229-11	FERRITE	0 μ H	IC3011	6-806-734-01	IC	MB95F118ASPMT-G-SPE1
FB7203	1-414-229-11	FERRITE	0 μ H	\triangle IC4501	6-711-281-01	IC	AD9380KSTZ-100
FB7204	1-414-229-11	FERRITE	0 μ H	IC5000	6-704-600-01	IC	M24C02-WMN6T(B)
FB7300	1-400-089-21	FERRITE	0 μ H	IC5001	6-707-846-01	IC	TC74LCX14FT(EKJ)
FB7301	1-400-089-21	FERRITE	0 μ H	IC5501	6-704-001-01	IC	BR24L02F-WE2
FB7302	1-414-229-11	FERRITE	0 μ H	IC5503	6-704-001-01	IC	BR24L02F-WE2
FB7303	1-414-229-11	FERRITE	0 μ H	IC5511	6-708-758-01	IC	PCA9517DP.118
FB7400	1-414-229-11	FERRITE	0 μ H	IC5512	8-759-596-34	IC	SN74LV4053APWR
\triangle FB7700	1-414-229-11	FERRITE	0 μ H	IC5513	8-753-255-97	IC	CXB1441R-T4
FB7701	1-414-229-11	FERRITE	0 μ H	IC7000	6-702-142-01	IC	PQ1CY1032ZP
FB7800	1-414-229-11	FERRITE	0 μ H	IC7001	6-708-171-01	IC	MIC5235YM5TR
FB7801	1-218-990-81	SHORT CHIP		IC7002	6-703-708-01	IC	LM2903DT
FB7802	1-218-990-81	SHORT CHIP		IC7003	6-703-175-01	IC	PST3629UL
FB7803	1-469-084-21	FERRITE	0MH	\triangle IC7004	6-709-075-01	IC	TPS5124DBTRG4
FB7804	1-469-083-21	FERRITE	0 μ H	\triangle IC7005	6-709-075-01	IC	TPS5124DBTRG4
FB7805	1-469-083-21	FERRITE	0 μ H	IC7006	6-707-739-01	IC	MM1661JTRE
FB7806	1-469-083-21	FERRITE	0 μ H	IC7300	6-711-353-01	IC	100CK2254
				IC7301	6-700-631-01	IC	TPS2051ADR
				IC7400	6-711-198-01	IC	HYB18TC512160BF-2.5



REF. NO.	PART NO.	DESCRIPTION	VALUES			REF. NO.	PART NO.	DESCRIPTION	VALUES		
R1141	1-218-831-11	METAL CHIP	220	0.50%	1/10W	R1876	1-216-864-11	SHORT CHIP			
R1142	1-218-831-11	METAL CHIP	220	0.50%	1/10W	R1877	1-216-864-11	SHORT CHIP			
R1143	1-218-933-11	RES-CHIP	22	5%	1/16W	R1878	1-218-831-11	METAL CHIP	220	0.50%	1/10W
R1144	1-218-990-81	SHORT CHIP				R1885	1-216-864-11	SHORT CHIP			
R1145	1-218-985-11	RES-CHIP	470K	5%	1/16W	R1886	1-216-864-11	SHORT CHIP			
R1146	1-218-990-81	SHORT CHIP				R1887	1-218-831-11	METAL CHIP	220	0.50%	1/10W
R1147	1-218-985-11	RES-CHIP	470K	5%	1/16W	R1894	1-216-864-11	SHORT CHIP			
R1401	1-216-864-11	SHORT CHIP				R1914	1-218-831-11	METAL CHIP	220	0.50%	1/10W
R1402	1-218-990-81	SHORT CHIP				R1915	1-218-831-11	METAL CHIP	220	0.50%	1/10W
R1403	1-218-990-81	SHORT CHIP				R1916	1-218-831-11	METAL CHIP	220	0.50%	1/10W
R1404	1-218-990-81	SHORT CHIP				R1917	1-218-969-11	RES-CHIP	22K	5%	1/16W
R1405	1-218-990-81	SHORT CHIP				R1918	1-218-965-11	RES-CHIP	10K	5%	1/16W
R1406	1-218-990-81	SHORT CHIP				R1919	1-218-941-81	RES-CHIP	100	5%	1/16W
R1408	1-216-864-11	SHORT CHIP				R1920	1-218-839-11	METAL CHIP	470	0.50%	1/10W
R1700	1-218-981-91	RES-CHIP	220K	5%	1/16W	R1922	1-218-990-81	SHORT CHIP			
R1701	1-218-981-91	RES-CHIP	220K	5%	1/16W	R1923	1-218-990-81	SHORT CHIP			
R1702	1-218-957-11	RES-CHIP	2.2K	5%	1/16W	R1924	1-216-864-11	SHORT CHIP			
R1703	1-218-957-11	RES-CHIP	2.2K	5%	1/16W	R1925	1-216-864-11	SHORT CHIP			
R1710	1-218-985-11	RES-CHIP	470K	5%	1/16W	R1926	1-216-864-11	SHORT CHIP			
R1711	1-218-985-11	RES-CHIP	470K	5%	1/16W	R1927	1-216-864-11	SHORT CHIP			
R1712	1-218-953-11	RES-CHIP	1K	5%	1/16W	R1928	1-216-864-11	SHORT CHIP			
R1713	1-218-953-11	RES-CHIP	1K	5%	1/16W	R1929	1-216-864-11	SHORT CHIP			
R1720	1-218-985-11	RES-CHIP	470K	5%	1/16W	R1930	1-216-864-11	SHORT CHIP			
R1721	1-218-985-11	RES-CHIP	470K	5%	1/16W	R1931	1-216-864-11	SHORT CHIP			
R1722	1-218-953-11	RES-CHIP	1K	5%	1/16W	R1932	1-216-864-11	SHORT CHIP			
R1723	1-218-953-11	RES-CHIP	1K	5%	1/16W	R1933	1-216-864-11	SHORT CHIP			
R1726	1-216-864-11	SHORT CHIP				R1934	1-216-864-11	SHORT CHIP			
R1727	1-216-864-11	SHORT CHIP				R1935	1-216-864-11	SHORT CHIP			
R1728	1-216-864-11	SHORT CHIP				R1936	1-216-864-11	SHORT CHIP			
R1822	1-218-990-81	SHORT CHIP				R1937	1-216-864-11	SHORT CHIP			
R1832	1-218-990-81	SHORT CHIP				R1938	1-216-864-11	SHORT CHIP			
R1833	1-218-990-81	SHORT CHIP				R1939	1-216-864-11	SHORT CHIP			
R1836	1-218-990-81	SHORT CHIP				R1940	1-216-295-91	SHORT CHIP			
R1839	1-218-990-81	SHORT CHIP				R1941	1-216-295-91	SHORT CHIP			
R1842	1-218-990-81	SHORT CHIP				R1942	1-216-295-91	SHORT CHIP			
R1845	1-218-990-81	SHORT CHIP				R1943	1-216-295-91	SHORT CHIP			
R1848	1-218-990-81	SHORT CHIP				R1944	1-216-295-91	SHORT CHIP			
R1850	1-216-809-11	METAL CHIP	100	5%	1/10W	R1945	1-216-295-91	SHORT CHIP			
R1859	1-218-831-11	METAL CHIP	220	0.50%	1/10W	R1946	1-216-295-91	SHORT CHIP			
R1866	1-216-864-11	SHORT CHIP				R2110	1-208-905-11	METAL CHIP	5.6K	0.50%	1/16W
R1867	1-216-864-11	SHORT CHIP				R2111	1-208-905-11	METAL CHIP	5.6K	0.50%	1/16W
R1868	1-216-864-11	SHORT CHIP				R2112	1-218-973-11	RES-CHIP	47K	5%	1/16W
R1869	1-218-831-11	METAL CHIP	220	0.50%	1/10W	R2113	1-218-973-11	RES-CHIP	47K	5%	1/16W
R1870	1-218-831-11	METAL CHIP	220	0.50%	1/10W	R2114	1-216-864-11	SHORT CHIP			
R1871	1-218-831-11	METAL CHIP	220	0.50%	1/10W	R2116	1-216-864-11	SHORT CHIP			



REF. NO.	PART NO.	DESCRIPTION	VALUES			REF. NO.	PART NO.	DESCRIPTION	VALUES		
R2117	1-208-687-11	METAL CHIP	1.5K	0.50%	1/16W	R2202	1-218-965-11	RES-CHIP	10K	5%	1/16W
R2118	1-208-687-11	METAL CHIP	1.5K	0.50%	1/16W	R2204	1-218-977-11	RES-CHIP	100K	5%	1/16W
R2120	1-218-973-11	RES-CHIP	47K	5%	1/16W	R2205	1-218-973-11	RES-CHIP	47K	5%	1/16W
R2121	1-218-973-11	RES-CHIP	47K	5%	1/16W	R2206	1-218-965-11	RES-CHIP	10K	5%	1/16W
R2122	1-218-973-11	RES-CHIP	47K	5%	1/16W	R2210	1-208-691-11	METAL CHIP	2.2K	0.50%	1/16W
R2126	1-218-973-11	RES-CHIP	47K	5%	1/16W	R2211	1-208-691-11	METAL CHIP	2.2K	0.50%	1/16W
R2129	1-218-973-11	RES-CHIP	47K	5%	1/16W	R2212	1-208-711-11	METAL CHIP	15K	0.50%	1/16W
R2130	1-208-697-11	METAL CHIP	3.9K	0.50%	1/16W	R2213	1-208-711-11	METAL CHIP	15K	0.50%	1/16W
R2131	1-208-697-11	METAL CHIP	3.9K	0.50%	1/16W	R2214	1-218-965-11	RES-CHIP	10K	5%	1/16W
R2133	1-218-973-11	RES-CHIP	47K	5%	1/16W	R2215	1-218-965-11	RES-CHIP	10K	5%	1/16W
R2138	1-218-985-11	RES-CHIP	470K	5%	1/16W	R2216	1-218-977-11	RES-CHIP	100K	5%	1/16W
R2139	1-218-985-11	RES-CHIP	470K	5%	1/16W	R2217	1-218-977-11	RES-CHIP	100K	5%	1/16W
R2141	1-218-957-11	RES-CHIP	2.2K	5%	1/16W	R2222	1-218-973-11	RES-CHIP	47K	5%	1/16W
R2142	1-218-957-11	RES-CHIP	2.2K	5%	1/16W	R2227	1-218-973-11	RES-CHIP	47K	5%	1/16W
R2143	1-208-905-11	METAL CHIP	5.6K	0.50%	1/16W	R2228	1-469-083-21	FERRITE	0μH		
R2145	1-208-905-11	METAL CHIP	5.6K	0.50%	1/16W	R2229	1-469-083-21	FERRITE	0μH		
R2147	1-218-990-81	SHORT CHIP				R2230	1-220-199-81	RES-CHIP	24K	5%	1/16W
R2148	1-218-973-11	RES-CHIP	47K	5%	1/16W	R2231	1-220-199-81	RES-CHIP	24K	5%	1/16W
R2149	1-218-969-11	RES-CHIP	22K	5%	1/16W	R2232	1-469-083-21	FERRITE	0μH		
R2150	1-218-969-11	RES-CHIP	22K	5%	1/16W	R2233	1-469-083-21	FERRITE	0μH		
R2151	1-218-973-11	RES-CHIP	47K	5%	1/16W	R2234	1-216-833-11	METAL CHIP	10K	5%	1/10W
R2153	1-218-977-11	RES-CHIP	100K	5%	1/16W	R2235	1-216-813-11	METAL CHIP	220	5%	1/10W
R2161	1-218-965-11	RES-CHIP	10K	5%	1/16W	R2236	1-216-807-11	METAL CHIP	68	5%	1/10W
R2162	1-218-977-11	RES-CHIP	100K	5%	1/16W	R2237	1-216-821-11	METAL CHIP	1K	5%	1/10W
R2163	1-218-973-11	RES-CHIP	47K	5%	1/16W	R2238	1-216-821-11	METAL CHIP	1K	5%	1/10W
R2166	1-218-965-11	RES-CHIP	10K	5%	1/16W	R2239	1-216-821-11	METAL CHIP	1K	5%	1/10W
R2167	1-218-965-11	RES-CHIP	10K	5%	1/16W	R2249	1-218-941-81	RES-CHIP	100	5%	1/16W
R2168	1-218-961-11	RES-CHIP	4.7K	5%	1/16W	R2250	1-218-990-81	SHORT CHIP			
R2169	1-218-973-11	RES-CHIP	47K	5%	1/16W	R2251	1-218-953-11	RES-CHIP	1K	5%	1/16W
R2170	1-218-965-11	RES-CHIP	10K	5%	1/16W	R2252	1-218-961-11	RES-CHIP	4.7K	5%	1/16W
R2171	1-218-961-11	RES-CHIP	4.7K	5%	1/16W	R2253	1-218-990-81	SHORT CHIP			
R2176	1-218-973-11	RES-CHIP	47K	5%	1/16W	R2254	1-218-990-81	SHORT CHIP			
R2177	1-218-977-11	RES-CHIP	100K	5%	1/16W	R2257	1-218-982-11	RES-CHIP	270K	5%	1/16W
R2178	1-218-977-11	RES-CHIP	100K	5%	1/16W	R2258	1-218-982-11	RES-CHIP	270K	5%	1/16W
R2179	1-218-977-11	RES-CHIP	100K	5%	1/16W	R2259	1-218-982-11	RES-CHIP	270K	5%	1/16W
R2180	1-218-965-11	RES-CHIP	10K	5%	1/16W	R2260	1-218-982-11	RES-CHIP	270K	5%	1/16W
R2181	1-218-977-11	RES-CHIP	100K	5%	1/16W	R2261	1-218-965-11	RES-CHIP	10K	5%	1/16W
R2184	1-218-965-11	RES-CHIP	10K	5%	1/16W	R2262	1-218-965-11	RES-CHIP	10K	5%	1/16W
R2185	1-218-965-11	RES-CHIP	10K	5%	1/16W	R2263	1-218-965-11	RES-CHIP	10K	5%	1/16W
R2186	1-216-813-11	METAL CHIP	220	5%	1/10W	R2264	1-218-965-11	RES-CHIP	10K	5%	1/16W
R2187	1-216-813-11	METAL CHIP	220	5%	1/10W	R2265	1-218-950-11	RES-CHIP	560	5%	1/16W
R2198	1-218-963-11	RES-CHIP	6.8K	5%	1/16W	R2266	1-218-950-11	RES-CHIP	560	5%	1/16W
R2199	1-218-965-11	RES-CHIP	10K	5%	1/16W	R2267	1-218-950-11	RES-CHIP	560	5%	1/16W
R2200	1-218-977-11	RES-CHIP	100K	5%	1/16W	R2268	1-218-950-11	RES-CHIP	560	5%	1/16W
R2201	1-218-990-81	SHORT CHIP				R2269	1-218-941-81	RES-CHIP	100	5%	1/16W



REF. NO.	PART NO.	DESCRIPTION	VALUES			REF. NO.	PART NO.	DESCRIPTION	VALUES		
R2270	1-218-941-81	RES-CHIP	100	5%	1/16W	R3527	1-218-941-81	RES-CHIP	100	5%	1/16W
R2271	1-218-941-81	RES-CHIP	100	5%	1/16W	R3528	1-218-990-81	SHORT CHIP			
R2272	1-218-941-81	RES-CHIP	100	5%	1/16W	R3533	1-216-864-11	SHORT CHIP			
R2273	1-218-973-11	RES-CHIP	47K	5%	1/16W	R3534	1-216-864-11	SHORT CHIP			
R2274	1-218-973-11	RES-CHIP	47K	5%	1/16W	R3539	1-218-990-81	SHORT CHIP			
R2275	1-218-973-11	RES-CHIP	47K	5%	1/16W	R3541	1-218-990-81	SHORT CHIP			
R2276	1-218-973-11	RES-CHIP	47K	5%	1/16W	R4002	1-218-977-11	RES-CHIP	100K	5%	1/16W
R2277	1-218-990-81	SHORT CHIP				R4006	1-218-977-11	RES-CHIP	100K	5%	1/16W
R2278	1-218-990-81	SHORT CHIP				R4007	1-218-979-11	RES-CHIP	150K	5%	1/16W
R2281	1-208-695-11	METAL CHIP	3.3K	0.50%	1/16W	R4008	1-218-965-11	RES-CHIP	10K	5%	1/16W
R2282	1-208-935-11	METAL CHIP	100K	0.50%	1/16W	R4013	1-218-977-11	RES-CHIP	100K	5%	1/16W
R2283	1-218-990-81	SHORT CHIP				R4042	1-218-977-11	RES-CHIP	100K	5%	1/16W
R3010	1-218-990-81	SHORT CHIP				R4043	1-218-979-11	RES-CHIP	150K	5%	1/16W
R3031	1-208-931-11	METAL CHIP	68K	0.50%	1/16W	R4045	1-216-864-11	SHORT CHIP			
R3034	1-208-703-11	METAL CHIP	6.8K	0.50%	1/16W	R4047	1-216-825-11	METAL CHIP	2.2K	5%	1/10W
R3037	1-208-711-11	METAL CHIP	15K	0.50%	1/16W	R4048	1-218-839-11	METAL CHIP	470	0.50%	1/10W
R3073	1-218-990-81	SHORT CHIP				R4050	1-218-971-11	RES-CHIP	33K	5%	1/16W
R3087	1-218-990-81	SHORT CHIP				R4058	1-216-833-11	METAL CHIP	10K	5%	1/10W
R3101	1-218-959-11	RES-CHIP	3.3K	5%	1/16W	R4060	1-216-833-11	METAL CHIP	10K	5%	1/10W
R3146	1-218-941-81	RES-CHIP	100	5%	1/16W	R4061	1-218-983-11	RES-CHIP	330K	5%	1/16W
R3180	1-218-965-11	RES-CHIP	10K	5%	1/16W	R4063	1-218-963-11	RES-CHIP	6.8K	5%	1/16W
R3190	1-208-886-81	METAL CHIP	910	0.50%	1/16W	R4064	1-218-965-11	RES-CHIP	10K	5%	1/16W
R3201	1-218-990-81	SHORT CHIP				R4065	1-218-971-11	RES-CHIP	33K	5%	1/16W
R3218	1-218-961-11	RES-CHIP	4.7K	5%	1/16W	R4067	1-218-990-81	SHORT CHIP			
R3223	1-218-945-11	RES-CHIP	220	5%	1/16W	R4545	1-218-665-11	METAL CHIP	75	0.50%	1/10W
R3243	1-218-941-81	RES-CHIP	100	5%	1/16W	R4546	1-218-665-11	METAL CHIP	75	0.50%	1/10W
R3247	1-218-990-81	SHORT CHIP				R4547	1-218-665-11	METAL CHIP	75	0.50%	1/10W
R3249	1-218-935-11	RES-CHIP	33	5%	1/16W	R4551	1-216-864-11	SHORT CHIP			
R3255	1-400-591-22	FERRITE	0μH			R4552	1-216-823-11	METAL CHIP	1.5K	5%	1/10W
R3256	1-400-591-22	FERRITE	0μH			R4553	1-218-289-11	METAL CHIP	510	5%	1/10W
R3257	1-400-591-22	FERRITE	0μH			R4554	1-216-833-11	METAL CHIP	10K	5%	1/10W
R3258	1-400-591-22	FERRITE	0μH			R4555	1-216-833-11	METAL CHIP	10K	5%	1/10W
R3260	1-400-591-22	FERRITE	0μH			R4556	1-216-801-11	METAL CHIP	22	5%	1/10W
R3261	1-400-591-22	FERRITE	0μH			R4557	1-216-801-11	METAL CHIP	22	5%	1/10W
R3262	1-400-591-22	FERRITE	0μH			R4558	1-216-801-11	METAL CHIP	22	5%	1/10W
R3264	1-400-591-22	FERRITE	0μH			R4559	1-216-801-11	METAL CHIP	22	5%	1/10W
R3265	1-400-591-22	FERRITE	0μH			R4560	1-218-969-11	RES-CHIP	22K	5%	1/16W
R3267	1-216-864-11	SHORT CHIP				R4561	1-218-969-11	RES-CHIP	22K	5%	1/16W
R3270	1-218-941-81	RES-CHIP	100	5%	1/16W	R4562	1-218-969-11	RES-CHIP	22K	5%	1/16W
R3515	1-216-833-11	METAL CHIP	10K	5%	1/10W	R4563	1-218-969-11	RES-CHIP	22K	5%	1/16W
R3516	1-216-809-11	METAL CHIP	100	5%	1/10W	R4564	1-218-969-11	RES-CHIP	22K	5%	1/16W
R3517	1-218-989-11	RES-CHIP	1M	5%	1/16W	R4565	1-218-969-11	RES-CHIP	22K	5%	1/16W
R3519	1-216-809-11	METAL CHIP	100	5%	1/10W	R4575	1-216-864-11	SHORT CHIP			
R3524	1-218-990-81	SHORT CHIP				R4576	1-216-864-11	SHORT CHIP			
R3526	1-216-864-11	SHORT CHIP				R4577	1-216-864-11	SHORT CHIP			



REF. NO.	PART NO.	DESCRIPTION	VALUES			REF. NO.	PART NO.	DESCRIPTION	VALUES		
R4578	1-208-675-11	METAL CHIP	470	0.50%	1/16W	R7001	1-216-815-11	METAL CHIP	330	5%	1/10W
R4579	1-208-675-11	METAL CHIP	470	0.50%	1/16W	R7002	1-216-821-11	METAL CHIP	1K	5%	1/10W
R4580	1-208-675-11	METAL CHIP	470	0.50%	1/16W	R7003	1-216-821-11	METAL CHIP	1K	5%	1/10W
R5012	1-218-827-11	METAL CHIP	150	0.50%	1/10W	R7004	1-216-841-11	METAL CHIP	47K	5%	1/10W
R5013	1-218-827-11	METAL CHIP	150	0.50%	1/10W	R7005	1-218-867-11	METAL CHIP	6.8K	0.50%	1/10W
R5014	1-218-827-11	METAL CHIP	150	0.50%	1/10W	R7006	1-218-861-11	METAL CHIP	3.9K	0.50%	1/10W
R5015	1-218-827-11	METAL CHIP	150	0.50%	1/10W	R7007	1-218-847-11	METAL CHIP	1K	0.50%	1/10W
R5016	1-218-953-11	RES-CHIP	1K	5%	1/16W	R7008	1-218-873-11	METAL CHIP	12K	0.50%	1/10W
R5017	1-218-827-11	METAL CHIP	150	0.50%	1/10W	R7009	1-218-891-11	METAL CHIP	68K	0.50%	1/10W
R5018	1-218-827-11	METAL CHIP	150	0.50%	1/10W	R7010	1-218-911-11	METAL CHIP	470K	0.50%	1/10W
R5019	1-218-977-11	RES-CHIP	100K	5%	1/16W	R7012	1-216-295-91	SHORT CHIP			
R5029	1-218-933-11	RES-CHIP	22	5%	1/16W	R7016	1-216-295-91	SHORT CHIP			
R5030	1-218-933-11	RES-CHIP	22	5%	1/16W	R7017	1-469-553-21	INDUCTOR	4.7μH		
R5501	1-218-929-11	RES-CHIP	10	5%	1/16W	R7018	1-208-935-11	METAL CHIP	100K	0.50%	1/16W
R5504	1-208-683-11	METAL CHIP	1K	0.50%	1/16W	R7019	1-218-965-11	RES-CHIP	10K	5%	1/16W
R5505	1-218-929-11	RES-CHIP	10	5%	1/16W	R7020	1-218-990-81	SHORT CHIP			
R5512	1-208-683-11	METAL CHIP	1K	0.50%	1/16W	R7021	1-218-990-81	SHORT CHIP			
R5513	1-218-941-81	RES-CHIP	100	5%	1/16W	R7022	1-216-820-11	METAL CHIP	820	5%	1/10W
R5514	1-218-941-81	RES-CHIP	100	5%	1/16W	R7023	1-216-819-11	METAL CHIP	680	5%	1/10W
R5519	1-218-961-11	RES-CHIP	4.7K	5%	1/16W	R7024	1-218-941-81	RES-CHIP	100	5%	1/16W
R5521	1-218-973-11	RES-CHIP	47K	5%	1/16W	R7025	1-208-936-11	METAL CHIP	110K	0.50%	1/16W
R5525	1-218-973-11	RES-CHIP	47K	5%	1/16W	R7026	1-208-935-11	METAL CHIP	100K	0.50%	1/16W
R5527	1-218-941-81	RES-CHIP	100	5%	1/16W	R7027	1-218-965-11	RES-CHIP	10K	5%	1/16W
R5528	1-218-941-81	RES-CHIP	100	5%	1/16W	R7028	1-208-956-81	METAL CHIP	750K	0.50%	1/16W
R5529	1-218-973-11	RES-CHIP	47K	5%	1/16W	R7029	1-218-990-81	SHORT CHIP			
R5530	1-218-941-81	RES-CHIP	100	5%	1/16W	R7030	1-218-961-11	RES-CHIP	4.7K	5%	1/16W
R5534	1-218-961-11	RES-CHIP	4.7K	5%	1/16W	R7032	1-218-990-81	SHORT CHIP			
R5535	1-218-973-11	RES-CHIP	47K	5%	1/16W	R7034	1-218-977-11	RES-CHIP	100K	5%	1/16W
R5536	1-218-973-11	RES-CHIP	47K	5%	1/16W	R7035	1-208-695-11	METAL CHIP	3.3K	0.50%	1/16W
R5538	1-218-973-11	RES-CHIP	47K	5%	1/16W	R7036	1-218-982-11	RES-CHIP	270K	5%	1/16W
R5539	1-218-990-81	SHORT CHIP				R7037	1-208-687-11	METAL CHIP	1.5K	0.50%	1/16W
R5543	1-218-941-81	RES-CHIP	100	5%	1/16W	R7038	1-208-923-11	METAL CHIP	33K	0.50%	1/16W
R5557	1-218-990-81	SHORT CHIP				R7039	1-208-923-11	METAL CHIP	33K	0.50%	1/16W
R5580	1-216-295-91	SHORT CHIP				R7040	1-208-923-11	METAL CHIP	33K	0.50%	1/16W
R5622	1-218-965-11	RES-CHIP	10K	5%	1/16W	R7041	1-208-927-11	METAL CHIP	47K	0.50%	1/16W
R5637	1-218-990-81	SHORT CHIP				R7042	1-218-982-11	RES-CHIP	270K	5%	1/16W
R5638	1-218-990-81	SHORT CHIP				R7043	1-208-923-11	METAL CHIP	33K	0.50%	1/16W
R5642	1-216-864-11	SHORT CHIP				R7044	1-208-929-81	METAL CHIP	56K	0.50%	1/16W
R5644	1-218-961-11	RES-CHIP	4.7K	5%	1/16W	R7045	1-208-923-11	METAL CHIP	33K	0.50%	1/16W
R5645	1-218-961-11	RES-CHIP	4.7K	5%	1/16W	R7046	1-208-923-11	METAL CHIP	33K	0.50%	1/16W
R5648	1-216-864-11	SHORT CHIP				R7047	1-208-691-11	METAL CHIP	2.2K	0.50%	1/16W
R5658	1-218-961-11	RES-CHIP	4.7K	5%	1/16W	R7048	1-218-941-81	RES-CHIP	100	5%	1/16W
R5660	1-218-990-81	SHORT CHIP				R7049	1-208-691-11	METAL CHIP	2.2K	0.50%	1/16W
R5671	1-218-941-81	RES-CHIP	100	5%	1/16W	R7050	1-218-941-81	RES-CHIP	100	5%	1/16W
R7000	1-216-821-11	METAL CHIP	1K	5%	1/10W	R7051	1-218-941-81	RES-CHIP	100	5%	1/16W



REF. NO.	PART NO.	DESCRIPTION	VALUES			REF. NO.	PART NO.	DESCRIPTION	VALUES		
R7052	1-208-691-11	METAL CHIP	2.2K	0.50%	1/16W	R7334	1-216-864-11	SHORT CHIP			
R7053	1-218-941-81	RES-CHIP	100	5%	1/16W	R7335	1-216-864-11	SHORT CHIP			
R7054	1-208-691-11	METAL CHIP	2.2K	0.50%	1/16W	R7337	1-218-965-11	RES-CHIP	10K	5%	1/16W
R7055	1-208-935-11	METAL CHIP	100K	0.50%	1/16W	R7400	1-208-911-11	METAL CHIP	10K	0.50%	1/16W
R7056	1-208-935-11	METAL CHIP	100K	0.50%	1/16W	R7401	1-208-855-81	METAL CHIP	47	0.50%	1/16W
R7057	1-208-935-11	METAL CHIP	100K	0.50%	1/16W	R7402	1-208-683-11	METAL CHIP	1K	0.50%	1/16W
R7058	1-208-935-11	METAL CHIP	100K	0.50%	1/16W	R7403	1-208-683-11	METAL CHIP	1K	0.50%	1/16W
R7059	1-218-937-11	RES-CHIP	47	5%	1/16W	R7404	1-208-683-11	METAL CHIP	1K	0.50%	1/16W
R7060	1-218-937-11	RES-CHIP	47	5%	1/16W	R7405	1-208-683-11	METAL CHIP	1K	0.50%	1/16W
R7061	1-218-937-11	RES-CHIP	47	5%	1/16W	R7406	1-208-683-11	METAL CHIP	1K	0.50%	1/16W
R7062	1-218-937-11	RES-CHIP	47	5%	1/16W	R7407	1-208-683-11	METAL CHIP	1K	0.50%	1/16W
R7063	1-216-864-11	SHORT CHIP				R7408	1-208-683-11	METAL CHIP	1K	0.50%	1/16W
R7064	1-216-864-11	SHORT CHIP				R7501	1-218-957-11	RES-CHIP	2.2K	5%	1/16W
R7065	1-208-911-11	METAL CHIP	10K	0.50%	1/16W	R7502	1-218-990-81	SHORT CHIP			
R7066	1-208-709-11	METAL CHIP	12K	0.50%	1/16W	R7505	1-218-965-11	RES-CHIP	10K	5%	1/16W
R7067	1-208-911-11	METAL CHIP	10K	0.50%	1/16W	R7506	1-218-965-11	RES-CHIP	10K	5%	1/16W
R7068	1-208-911-11	METAL CHIP	10K	0.50%	1/16W	R7508	1-218-977-11	RES-CHIP	100K	5%	1/16W
R7069	1-216-295-91	SHORT CHIP				R7509	1-218-965-11	RES-CHIP	10K	5%	1/16W
R7070	1-216-295-91	SHORT CHIP				R7511	1-218-965-11	RES-CHIP	10K	5%	1/16W
R7071	1-216-791-11	METAL CHIP	3.3	5%	1/10W	R7513	1-218-965-11	RES-CHIP	10K	5%	1/16W
R7072	1-216-791-11	METAL CHIP	3.3	5%	1/10W	R7517	1-218-965-11	RES-CHIP	10K	5%	1/16W
R7073	1-216-791-11	METAL CHIP	3.3	5%	1/10W	R7521	1-218-965-11	RES-CHIP	10K	5%	1/16W
R7074	1-216-791-11	METAL CHIP	3.3	5%	1/10W	R7526	1-218-965-11	RES-CHIP	10K	5%	1/16W
R7079	1-216-295-91	SHORT CHIP				R7528	1-218-953-11	RES-CHIP	1K	5%	1/16W
R7080	1-216-295-91	SHORT CHIP				R7529	1-218-977-11	RES-CHIP	100K	5%	1/16W
R7081	1-216-295-91	SHORT CHIP				R7532	1-218-990-81	SHORT CHIP			
R7082	1-216-295-91	SHORT CHIP				R7533	1-218-446-11	METAL CHIP	1	5%	1/10W
R7089	1-216-295-91	SHORT CHIP				R7535	1-218-990-81	SHORT CHIP			
R7092	1-218-990-81	SHORT CHIP				R7541	1-218-990-81	SHORT CHIP			
R7200	1-218-989-11	RES-CHIP	1M	5%	1/16W	R7542	1-218-990-81	SHORT CHIP			
R7201	1-216-793-11	METAL CHIP	4.7	5%	1/10W	R7544	1-218-990-81	SHORT CHIP			
R7202	1-218-990-81	SHORT CHIP				R7607	1-218-933-11	RES-CHIP	22	5%	1/16W
R7203	1-218-941-81	RES-CHIP	100	5%	1/16W	R7608	1-218-973-11	RES-CHIP	47K	5%	1/16W
R7301	1-216-864-11	SHORT CHIP				R7609	1-218-965-11	RES-CHIP	10K	5%	1/16W
R7302	1-216-864-11	SHORT CHIP				R7610	1-218-953-11	RES-CHIP	1K	5%	1/16W
R7307	1-218-965-11	RES-CHIP	10K	5%	1/16W	R7611	1-218-933-11	RES-CHIP	22	5%	1/16W
R7317	1-216-793-11	METAL CHIP	4.7	5%	1/10W	R7703	1-218-990-81	SHORT CHIP			
R7318	1-216-793-11	METAL CHIP	4.7	5%	1/10W	R7705	1-218-941-81	RES-CHIP	100	5%	1/16W
R7327	1-218-977-11	RES-CHIP	100K	5%	1/16W	R7706	1-218-935-11	RES-CHIP	33	5%	1/16W
R7328	1-218-959-11	RES-CHIP	3.3K	5%	1/16W	R7710	1-218-935-11	RES-CHIP	33	5%	1/16W
R7329	1-216-835-11	METAL CHIP	15K	5%	1/10W	R7712	1-218-935-11	RES-CHIP	33	5%	1/16W
R7330	1-218-959-11	RES-CHIP	3.3K	5%	1/16W	R7714	1-218-953-11	RES-CHIP	1K	5%	1/16W
R7331	1-216-835-11	METAL CHIP	15K	5%	1/10W	R7715	1-218-953-11	RES-CHIP	1K	5%	1/16W
R7332	1-216-835-11	METAL CHIP	15K	5%	1/10W	R7716	1-218-935-11	RES-CHIP	33	5%	1/16W
R7333	1-216-835-11	METAL CHIP	15K	5%	1/10W	R7717	1-218-935-11	RES-CHIP	33	5%	1/16W

NOTE: The components identified by shading and \triangle mark are critical for safety. Replace only with part number specified.

NOTE: Les composants identifiés par un trame et une marque \triangle sont critiques pour la sécurité. Ne les remplacer que par une pièce portant le numéro spécifié.

G1M

REF. NO.	PART NO.	DESCRIPTION	VALUES	REF. NO.	PART NO.	DESCRIPTION	VALUES
CONNECTOR							
CN6101	1-695-915-11	TAB (CONTACT)		D6205	6-501-319-01	DIODE	FCQ10A06
CN6102	1-580-843-11	PIN, CONNECTOR (POWER)		D6206	6-500-555-01	DIODE	MM3Z27VT1
* CN6201	1-785-708-11	PIN, CONNECTOR (PC BOARD)	12P	D6209	8-719-081-97	DIODE	MMDL914T1
* CN6202	1-793-236-11	PIN, CONNECTOR (PC BOARD)	14P	D6210	8-719-082-03	DIODE	MM3Z15VT1
DIODE							
D6101	8-719-510-53	DIODE	D4SB60L	D6211	6-501-319-01	DIODE	FCQ10A06
D6102	8-719-081-97	DIODE	MMDL914T1	D6212	8-719-312-10	DIODE	RU4AM-T3
D6103	6-500-567-01	DIODE	10ERB20-TA1B2	ET6101	1-537-770-21	TERMINAL BOARD, GROUND	
D6104	6-500-567-01	DIODE	10ERB20-TA1B2	IC			
D6105	8-719-081-97	DIODE	MMDL914T1	IC6101	6-709-192-01	IC	FA5501AN-D1-TE1
D6106	8-719-081-97	DIODE	MMDL914T1	\triangle IC6104	6-707-749-01	IC	CXD9841P
D6107	8-719-027-76	DIODE	1SS357-TPH3	\triangle IC6105	6-708-801-01	IC	MIP2H2
D6108	8-719-081-97	DIODE	MMDL914T1	IC6201	6-709-155-01	IC	TS3431BILT
D6109	8-719-054-59	DIODE	FSF05A60	IC6203	6-700-898-01	IC	PQ05RD21J00H
D6110	8-719-976-99	DIODE	DTZ5.1B	CHIP CONDUCTOR			
D6111	8-719-081-97	DIODE	MMDL914T1	JR6239	1-216-864-11	SHORT CHIP	
D6112	6-500-335-01	DIODE	MC2838-T112-1	IC LINK			
D6113	8-719-081-97	DIODE	MMDL914T1	PS6201	1-533-597-41	IC LINK	5A 90V
D6114	8-719-081-97	DIODE	MMDL914T1	\triangle PS6202	1-533-597-41	IC LINK	5A 90V
D6115	8-719-081-97	DIODE	MMDL914T1	\triangle PS6203	1-533-596-21	IC LINK	4A 90V
\triangle D6116	6-501-906-01	DIODE	11EQS03LN-TB5	TRANSISTOR			
D6119	8-719-027-76	DIODE	1SS357-TPH3	Q6102	8-729-141-48	TRANSISTOR	2SB624-BV345
D6120	6-500-448-11	DIODE	D1NF60-TA	\triangle Q6103	6-551-303-01	TRANSISTOR	2SK3683-01MR-F111
\triangle D6121	6-501-906-01	DIODE	11EQS03LN-TB5	Q6104	8-729-045-62	TRANSISTOR	2SK2158-T2B
D6122	8-719-082-03	DIODE	MM3Z15VT1	Q6105	6-551-696-01	TRANSISTOR	ISA1235AC1TP-1EF
D6127	8-719-056-83	DIODE	UDZ-TE-17-6.8B	Q6106	8-729-620-07	TRANSISTOR	2SC3052EF-T1-LEF
D6128	8-719-081-97	DIODE	MMDL914T1	Q6107	8-729-920-79	TRANSISTOR	2SB1132-T100-QR
D6129	6-501-297-11	DIODE	1F6G-TA26	Q6108	8-729-027-43	TRANSISTOR	DTC114EKA-T146
D6132	8-719-081-97	DIODE	MMDL914T1	\triangle Q6109	6-551-302-01	TRANSISTOR	2SK3561(LBS1SONY,Q
D6133	6-501-450-11	DIODE	11EFS4-TB5	\triangle Q6110	6-551-302-01	TRANSISTOR	2SK3561(LBS1SONY,Q
D6134	6-501-822-11	DIODE	10ERB60-TB5	Q6111	8-729-045-62	TRANSISTOR	2SK2158-T2B
D6135	6-500-600-01	DIODE	MM3Z3V3T1	Q6112	8-729-045-62	TRANSISTOR	2SK2158-T2B
\triangle D6136	8-719-931-47	DIODE	HZS27NTD	Q6201	8-729-045-62	TRANSISTOR	2SK2158-T2B
D6137	6-500-021-01	DIODE	MM3Z4V7ST1	Q6202	6-551-696-01	TRANSISTOR	ISA1235AC1TP-1EF
D6138	8-719-081-97	DIODE	MMDL914T1	Q6203	8-729-620-07	TRANSISTOR	2SC3052EF-T1-LEF
D6139	6-500-567-21	DIODE	10ERB20-TB5	RESISTOR			
D6140	6-500-021-01	DIODE	MM3Z4V7ST1	\triangle R6101	1-240-251-92	METAL	6.8 5% 10W
D6141	8-719-081-97	DIODE	MMDL914T1	R6102	1-240-576-21	METAL CHIP	470K 1% 1/10W
D6201	8-719-200-31	DIODE	21DQ05	R6103	1-240-576-21	METAL CHIP	470K 1% 1/10W
D6202	8-719-082-75	DIODE	FCH08A10	R6106	1-218-877-11	METAL CHIP	18K 0.50% 1/10W
D6203	8-719-082-75	DIODE	FCH08A10	R6107	1-216-073-91	RES-CHIP	10K 5% 1/10W
D6204	6-501-319-01	DIODE	FCQ10A06				

NOTE: The components identified by shading and \triangle mark are critical for safety. Replace only with part number specified.

NOTE: Les composants identifiés par un trame et une marque \triangle sont critiques pour la sécurité. Ne les remplacer que par une pièce portant le numéro spécifié.

G1M

REF. NO.	PART NO.	DESCRIPTION	VALUES			REF. NO.	PART NO.	DESCRIPTION	VALUES		
R6108	1-240-576-21	METAL CHIP	470K	1%	1/10W	R6161	1-249-425-11	CARBON	4.7K	5%	1/4W
R6109	1-240-576-21	METAL CHIP	470K	1%	1/10W	R6162	1-211-989-11	METAL CHIP	68	0.50%	1/10W
R6113	1-215-869-11	METAL OXIDE	1K	5%	1W	R6163	1-211-985-11	METAL CHIP	47	0.50%	1/10W
R6114	1-216-077-91	RES-CHIP	15K	5%	1/10W	R6165	1-216-065-91	RES-CHIP	4.7K	5%	1/10W
R6115	1-249-397-11	CARBON	22	5%	1/4W	R6166	1-249-426-11	CARBON	5.6K	5%	1/4W
R6117	1-216-817-11	METAL CHIP	470	5%	1/10W	R6167	1-247-791-91	CARBON	22	5%	1/4W
R6118	1-216-851-11	METAL CHIP	330K	5%	1/10W	R6168	1-216-009-91	RES-CHIP	22	5%	1/10W
R6119	1-216-837-11	METAL CHIP	22K	5%	1/10W	R6169	1-216-049-11	RES-CHIP	1K	5%	1/10W
R6120	1-216-845-11	METAL CHIP	100K	5%	1/10W	R6170	1-216-833-11	METAL CHIP	10K	5%	1/10W
R6121	1-249-397-11	CARBON	22	5%	1/4W	R6171	1-216-833-11	METAL CHIP	10K	5%	1/10W
R6122	1-216-833-11	METAL CHIP	10K	5%	1/10W	R6172	1-218-642-11	METAL OXIDE	100K	5%	1W
R6124	1-216-809-11	METAL CHIP	100	5%	1/10W	R6173	1-216-830-11	METAL CHIP	5.6K	5%	1/10W
R6125	1-216-001-00	RES-CHIP	10	5%	1/10W	R6175	1-216-821-11	METAL CHIP	1K	5%	1/10W
R6127	1-215-882-00	METAL OXIDE	22	5%	2W	R6178	1-216-857-11	METAL CHIP	1M	5%	1/10W
R6128	1-216-801-11	METAL CHIP	22	5%	1/10W	R6179	1-216-821-11	METAL CHIP	1K	5%	1/10W
R6129	1-215-882-00	METAL OXIDE	22	5%	2W	R6180	1-216-829-11	METAL CHIP	4.7K	5%	1/10W
R6130	1-208-840-11	METAL CHIP	270K	0.50%	1/10W	R6181	1-249-397-11	CARBON	22	5%	1/4W
R6131	1-208-840-11	METAL CHIP	270K	0.50%	1/10W	R6183	1-216-837-11	METAL CHIP	22K	5%	1/10W
R6132	1-208-840-11	METAL CHIP	270K	0.50%	1/10W	R6185	1-208-822-11	METAL CHIP	47K	0.50%	1/10W
R6133	1-208-840-11	METAL CHIP	270K	0.50%	1/10W	R6186	1-216-105-91	RES-CHIP	220K	5%	1/10W
R6134	1-218-760-11	METAL CHIP	220K	0.50%	1/10W	R6187	1-218-903-11	METAL CHIP	220K	0.50%	1/10W
R6135	1-208-804-11	METAL CHIP	8.2K	0.50%	1/10W	R6188	1-208-854-11	METAL CHIP	1M	0.50%	1/10W
R6136	1-216-635-11	METAL CHIP	220	0.50%	1/10W	R6189	1-216-845-11	METAL CHIP	100K	5%	1/10W
R6137	1-208-854-11	METAL CHIP	1M	0.50%	1/10W	R6190	1-249-385-11	CARBON	2.2	5%	1/4W
R6138	1-208-854-11	METAL CHIP	1M	0.50%	1/10W	R6191	1-216-833-11	METAL CHIP	10K	5%	1/10W
R6139	1-208-854-11	METAL CHIP	1M	0.50%	1/10W	R6192	1-247-289-00	METAL	8.2M	5%	1W
R6140	1-208-854-11	METAL CHIP	1M	0.50%	1/10W	R6201	1-216-821-11	METAL CHIP	1K	5%	1/10W
R6141	1-218-760-11	METAL CHIP	220K	0.50%	1/10W	R6202	1-216-825-11	METAL CHIP	2.2K	5%	1/10W
R6142	1-216-685-11	METAL CHIP	27K	0.50%	1/10W	R6203	1-216-827-11	METAL CHIP	3.3K	5%	1/10W
R6144	1-216-857-11	METAL CHIP	1M	5%	1/10W	R6204	1-216-829-11	METAL CHIP	4.7K	5%	1/10W
R6145	1-247-903-00	CARBON	1M	5%	1/4W	R6207	1-216-817-11	METAL CHIP	470	5%	1/10W
R6146	1-216-851-11	METAL CHIP	330K	5%	1/10W	R6208	1-216-829-11	METAL CHIP	4.7K	5%	1/10W
\triangle R6147	1-202-933-61	FUSIBLE	0.1	10%	1/2W	R6209	1-218-885-11	METAL CHIP	39K	0.50%	1/10W
R6148	1-249-385-11	CARBON	2.2	5%	1/4W	R6210	1-218-871-11	METAL CHIP	10K	0.50%	1/10W
R6149	1-216-825-11	METAL CHIP	2.2K	5%	1/10W	R6211	1-218-867-11	METAL CHIP	6.8K	0.50%	1/10W
R6150	1-216-833-11	METAL CHIP	10K	5%	1/10W	R6212	1-216-833-11	METAL CHIP	10K	5%	1/10W
R6151	1-216-833-11	METAL CHIP	10K	5%	1/10W	R6213	1-216-833-11	METAL CHIP	10K	5%	1/10W
R6152	1-218-872-11	METAL CHIP	11K	0.50%	1/10W	R6214	1-218-863-11	METAL CHIP	4.7K	0.50%	1/10W
R6153	1-216-864-11	SHORT CHIP				R6215	1-218-867-11	METAL CHIP	6.8K	0.50%	1/10W
R6154	1-218-886-11	METAL CHIP	43K	0.50%	1/10W	R6218	1-218-847-11	METAL CHIP	1K	0.50%	1/10W
R6155	1-218-903-11	METAL CHIP	220K	0.50%	1/10W	R6219	1-216-821-11	METAL CHIP	1K	5%	1/10W
R6157	1-249-429-11	CARBON	10K	5%	1/4W	R6220	1-216-837-11	METAL CHIP	22K	5%	1/10W
R6158	1-249-429-11	CARBON	10K	5%	1/4W	R6221	1-216-825-11	METAL CHIP	2.2K	5%	1/10W
R6159	1-216-833-11	METAL CHIP	10K	5%	1/10W	R6222	1-216-073-91	RES-CHIP	10K	5%	1/10W
R6160	1-216-825-11	METAL CHIP	2.2K	5%	1/10W	R6223	1-216-833-11	METAL CHIP	10K	5%	1/10W

G1M | HM1 | HM3

REF. NO.	PART NO.	DESCRIPTION	VALUES			REF. NO.	PART NO.	DESCRIPTION	VALUES		
R6224	1-216-837-11	METAL CHIP	22K	5%	1/10W						
R6225	1-216-821-11	METAL CHIP	1K	5%	1/10W						
R6226	1-216-833-11	METAL CHIP	10K	5%	1/10W						
R6230	1-249-385-11	CARBON	2.2	5%	1/4W						
R6232	1-247-807-31	CARBON	100	5%	1/4W						
R6235	1-208-814-91	METAL CHIP	22K	0.50%	1/10W						
R6237	1-215-871-11	METAL OXIDE	2.2K	5%	1W						
RELAY											
RY6101	1-755-488-11	RELAY	(LKP1AF-18V)								
VARISTOR											
VD6101	1-804-996-21	VARISTOR									
VD6102	1-804-996-21	VARISTOR									
HM1											
	A-1268-471-A	HM1 BOARD, MOUNTED									
CONNECTOR											
*	CN101	1-820-180-11	HEADER ASSEMBLY (PRINT PWB)								
RESISTOR											
R101	1-218-827-11	METAL CHIP	150	0.50%	1/10W						
R102	1-218-831-11	METAL CHIP	220	0.50%	1/10W						
R103	1-218-835-11	METAL CHIP	330	0.50%	1/10W						
R104	1-218-841-11	METAL CHIP	560	0.50%	1/10W						
R105	1-218-848-11	METAL CHIP	1.1K	0.50%	1/10W						
R107	1-216-864-11	SHORT CHIP									
SWITCH											
S101	1-572-595-11	SWITCH, TACTILE (REFLOW TYPE)									
S102	1-572-595-11	SWITCH, TACTILE (REFLOW TYPE)									
S103	1-572-595-11	SWITCH, TACTILE (REFLOW TYPE)									
S104	1-572-595-11	SWITCH, TACTILE (REFLOW TYPE)									
S105	1-572-595-11	SWITCH, TACTILE (REFLOW TYPE)									
S106	1-572-595-11	SWITCH, TACTILE (REFLOW TYPE)									
S107	1-572-595-11	SWITCH, TACTILE (REFLOW TYPE)									
	A-1268-472-A	HM3 BOARD, MOUNTED									
CAPACITOR											
C320	1-112-781-11	CERAMIC CHIP	1μF	10%	10V						
C322	1-107-826-11	CERAMIC CHIP	0.1μF	10%	16V						
C323	1-126-205-11	ELECT CHIP	47μF	20%	6.3V						
C401	1-162-960-11	CERAMIC CHIP	220pF	10%	50V						
C402	1-100-909-11	CERAMIC CHIP	10μF	10%	6.3V						
CONNECTOR											
*	CN301	1-820-287-11	HEADER ASSEMBLY (PRINT PWB)								
DIODE											
D305	8-719-085-26	DIODE	CL-165HR/SYG-D-T								
D308	8-719-053-07	DIODE	SML-310MTT86								
IC											
IC320	6-600-447-01	IC	TPS853(SONY)								
IC401	6-600-502-01	HIC	GP1UE26RK0VF								
TRANSISTOR											
Q303	8-729-028-96	TRANSISTOR	DTC114EUA-T106								
Q304	8-729-028-96	TRANSISTOR	DTC114EUA-T106								
Q320	6-551-699-01	TRANSISTOR	ISA1602AM1TP-1EF								
RESISTOR											
R303	1-216-815-11	METAL CHIP	330	5%	1/10W						
R304	1-216-819-11	METAL CHIP	680	5%	1/10W						
R305	1-216-815-11	METAL CHIP	330	5%	1/10W						
R307	1-216-864-11	SHORT CHIP									
R308	1-216-864-11	SHORT CHIP									
R321	1-216-839-11	METAL CHIP	33K	5%	1/10W						
R322	1-216-821-11	METAL CHIP	1K	5%	1/10W						
R323	1-216-833-11	METAL CHIP	10K	5%	1/10W						
R325	1-216-849-11	METAL CHIP	220K	5%	1/10W						
R326	1-216-849-11	METAL CHIP	220K	5%	1/10W						
R327	1-216-864-11	SHORT CHIP									
R328	1-216-827-11	METAL CHIP	3.3K	5%	1/10W						
R401	1-216-817-11	METAL CHIP	470	5%	1/10W						
R402	1-216-805-11	METAL CHIP	47	5%	1/10W						

