

# DAV-DX315

## SERVICE MANUAL

Ver. 1.0 2006.04

US Model  
Canadian Model

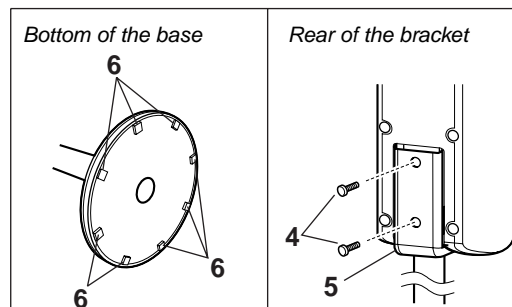
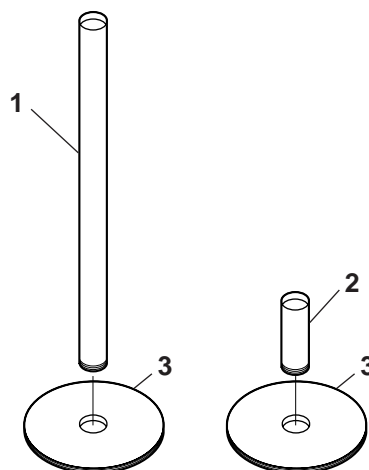
- DAV-DX315 is composed of following models.  
As service manuals are issued for each component model, please refer to them.

### COMPONENT MODEL NAME

|                  |           |
|------------------|-----------|
|                  | DAV-DX315 |
| DVD RECEIVER     | HCD-DX315 |
| FRONT SPEAKER    | SS-TS53   |
| SURROUND SPEAKER | SS-TS51   |
| CENTER SPEAKER   | SS-CT51   |
| SUBWOOFER        | SS-WS52B  |

### PARTS LIST

| Ref. No. | Part No.     | Description   | Remark |
|----------|--------------|---|--------|
|          |              | ACCESSORIES<br>*****  |        |
|          | 1-479-641-11 | COMMANDER, STANDARD (RM-ADU003)<br>(Including Battery Cover)                                |        |
|          | 1-501-374-11 | ANTENNA, LOOP (AM)  |        |
|          | 1-542-670-11 | MEASUREMENT MIC (MONO)<br>(Calibration mic : ECM-AC2)                                       |        |
|          | 1-751-619-23 | CORD, CONNECTION (VIDEO) (YELLOW, 2.5m)   |        |
|          | 1-793-184-21 | CONNECTOR (F TYPE ADAPTOR) (FM)   |        |
|          | 1-831-478-21 | CORD (WITH CONNECTOR) (SPEAKER)<br>(RED, WHITE, GREEN, PURPLE : F5m ,<br>GRAY, BLUE : F15m) |        |
|          | 2-639-385-01 | FOOT (For Subwoofer)  |        |
|          | 2-661-595-11 | MANUAL, INSTRUCTION (ENGLISH)   |        |
|          | 2-661-595-21 | MANUAL, INSTRUCTION (FRENCH)<br>(Canadian model)  |        |
| 1        | 2-654-430-01 | STAND PIPE (TB-L) (Post:long)<br>(For Front Speakers)                                       |        |
| 2        | 2-654-430-11 | STAND PIPE (TB-S) (Post:short)<br>(For Front Speakers)                                      |        |
| 3        | A-1146-852-A | BASE ASSY (Base) (For Front Speakers)   |        |
| 4        | 2-580-607-01 | SCREW, +PSW M5X12 (Screws)<br>(For Front Speakers)  |        |
| 5        | 2-654-432-01 | STAND BRACKET (Pedestal) (For Front Speakers)   |        |
| 6        | 4-251-067-01 | PACKING (AL FRONT) (For Base)   |        |



DVD HOME THEATRE SYSTEM

9-887-185-01  
2006D16-1  
© 2006.04

Sony Corporation  
Home Audio Division  
Published by Sony Techno Create Corporation

SONY®

