

CDX-F7710/F7710S/F7715X/ F7750/F7750S

SERVICE MANUAL

Ver. 1.0 2004.12

US Model
Canadian Model
CDX-F7715X

AEP Model
UK Model
CDX-F7750/F7750S
E Model
CDX-F7710/F7710S



Photo: CDX-F7710S

- The tuner and CD sections have no adjustments.

AUDIO POWER SPECIFICATIONS (US MODEL)

POWER OUTPUT AND TOTAL HARMONIC DISTORTION
23.2 watts per channel minimum continuous average power into
4 ohms, 4 channels driven from 20 Hz to 20 kHz with no more
than 5% total harmonic distortion.

Model Name Using Similar Mechanism	NEW
CD Drive Mechanism Type	MG-611TS-186//K
Optical Pick-up Name	KSS1000E

CD player section

Signal-to-noise ratio 120 dB
Frequency response 10 – 20,000 Hz
Wow and flutter Below measurable limit

Tuner section

FM

Tuning range CDX-F7715X:
87.5 – 107.9 MHz
CDX-F7710/F7710S/F7750/F7750S:
87.5 – 108 MHz
Antenna terminal External antenna connector
Intermediate frequency 10.7 MHz/450 kHz
Usable sensitivity 9 dBf
Selectivity 75 dB at 400 kHz
Signal-to-noise ratio 67 dB (stereo),
69 dB (mono)
Harmonic distortion at 1 kHz
0.5% (stereo),
0.3% (mono)
Separation 35 dB at 1 kHz
Frequency response 30 – 15,000 Hz

AM (CDX-F7715X)

Tuning range 530 – 1,710 kHz
Antenna terminal External antenna connector
Intermediate frequency 10.7 MHz/450 kHz
Sensitivity 30 μ V

SPECIFICATIONS

MW/LW (CDX-F7710/F7710S/F7750/F7750S)

Tuning range MW: 531 – 1,602 kHz
LW: 153 – 279 kHz
Antenna terminal External antenna connector
Intermediate frequency 10.7 MHz/450 kHz
Sensitivity MW: 30 μ V
LW: 40 μ V

Power amplifier section

Outputs Speaker outputs
(sure seal connectors)
Speaker impedance 4 – 8 ohms
Maximum power output 52 W \times 4 (at 4 ohms)

General

Outputs Audio outputs terminal (front/rear)
Subwoofer output terminal (mono)
Power antenna relay control terminal
Power amplifier control terminal
Inputs Telephone ATT control terminal
Illumination control terminal
BUS control input terminal
BUS audio input/AUX IN terminal
Remote controller input terminal
Antenna input terminal

– Continued on next page –

FM/AM COMPACT DISC PLAYER
CDX-F7715X

FM/MW/LW COMPACT DISC PLAYER
CDX-F7710/F7710S/F7750/F7750S

9-879-359-01

2004L04-1

© 2004. 12

Sony Corporation

e Vehicle Company

Published by Sony Engineering Corporation

SONY®

CDX-F7710/F7710S/F7715X/F7750/F7750S

Tone controls	CDX-F7710/F7710S/F7750/F7750S: Bass: ± 8 dB at 100 Hz Treble: ± 8 dB at 10 kHz CDX-F7715S: Bass: ± 10 dB at 62 Hz Treble: ± 10 dB at 16 kHz
Loudness	+8 dB at 100 Hz +2 dB at 10 kHz
Power requirements	12 V DC car battery (negative ground)
Dimensions	Approx. 178 × 50 × 178 mm (7 1/8 × 2 × 7 1/8 in.) (w/h/d)
Mounting dimensions	Approx. 182 × 53 × 161 mm (7 1/4 × 2 1/8 × 6 3/8 in.) (w/h/d)
Mass	Approx. 1.3 kg (2 lb. 14 oz.)
Supplied accessories	Parts for installation and connections (1 set) Front panel case (1) Card remote commander RM-X152 (CDX-F7715S) Card remote commander RM-X154 (CDX-F7710/F7710S/ F7750/F7750S)

US and foreign patents licensed from Dolby Laboratories.

Note

This unit cannot be connected to a digital preamplifier or an equalizer which is Sony BUS system compatible.

Design and specifications are subject to change without notice.

SERVICE NOTES

NOTES ON HANDLING THE OPTICAL PICK-UP BLOCK OR BASE UNIT

The laser diode in the optical pick-up block may suffer electrostatic breakdown because of the potential difference generated by the charged electrostatic load, etc. on clothing and the human body.

During repair, pay attention to electrostatic breakdown and also use the procedure in the printed matter which is included in the repair parts.

The flexible board is easily damaged and should be handled with care.

NOTES ON LASER DIODE EMISSION CHECK

The laser beam on this model is concentrated so as to be focused on the disc reflective surface by the objective lens in the optical pick-up block. Therefore, when checking the laser diode emission, observe from more than 30 cm away from the objective lens.

Notes on Chip Component Replacement

- Never reuse a disconnected chip component.
- Notice that the minus side of a tantalum capacitor may be damaged by heat.

TEST DISCS

This set can playback CD-R and CD-ROM discs. The following test discs should be used to check the capability:

CD-R test disc TCD-R082LMT (Part No. J-2502-063-1)

CD-RW test disc TCD-W082L (Part No. J-2502-063-2)

SAFETY-RELATED COMPONENT WARNING!!

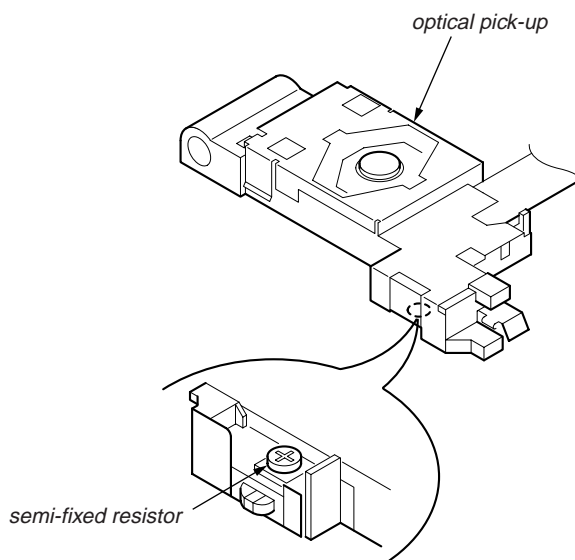
COMPONENTS IDENTIFIED BY MARK \triangle OR DOTTED LINE WITH MARK \triangle ON THE SCHEMATIC DIAGRAMS AND IN THE PARTS LIST ARE CRITICAL TO SAFE OPERATION. REPLACE THESE COMPONENTS WITH SONY PARTS WHOSE PART NUMBERS APPEAR AS SHOWN IN THIS MANUAL OR IN SUPPLEMENTS PUBLISHED BY SONY.

CAUTION

Use of controls or adjustments or performance of procedures other than those specified herein may result in hazardous radiation exposure.

If the optical pick-up block is defective, please replace the whole optical pick-up block.

Never turn the semi-fixed resistor located at the side of optical pick-up block.



- CDX-F7710/F7710S/F7750/F7750S model



**CLASS 1
LASER PRODUCT**

This label is located on the bottom of the chassis.

ATTENTION AU COMPOSANT AYANT RAPPORT À LA SÉCURITÉ!!

LES COMPOSANTS IDENTIFIÉS PAR UNE MARQUE \triangle SUR LES DIAGRAMMES SCHÉMATIQUES ET LA LISTE DES PIÈCES SONT CRITIQUES POUR LA SÉCURITÉ DE FONCTIONNEMENT. NE REMPLACER CES COMPOSANTS QUE PAR DES PIÈCES SONY DONT LES NUMÉROS SONT DONNÉS DANS CE MANUEL OU DANS LES SUPPLÉMENTS PUBLIÉS PAR SONY.

- **CD Playback:**
You can play CD-DA (also containing CD TEXT*¹), CD-R/CD-RW (MP3 files also containing Multi Session and ATRAC CD (ATRAC3 and ATRAC3plus format).

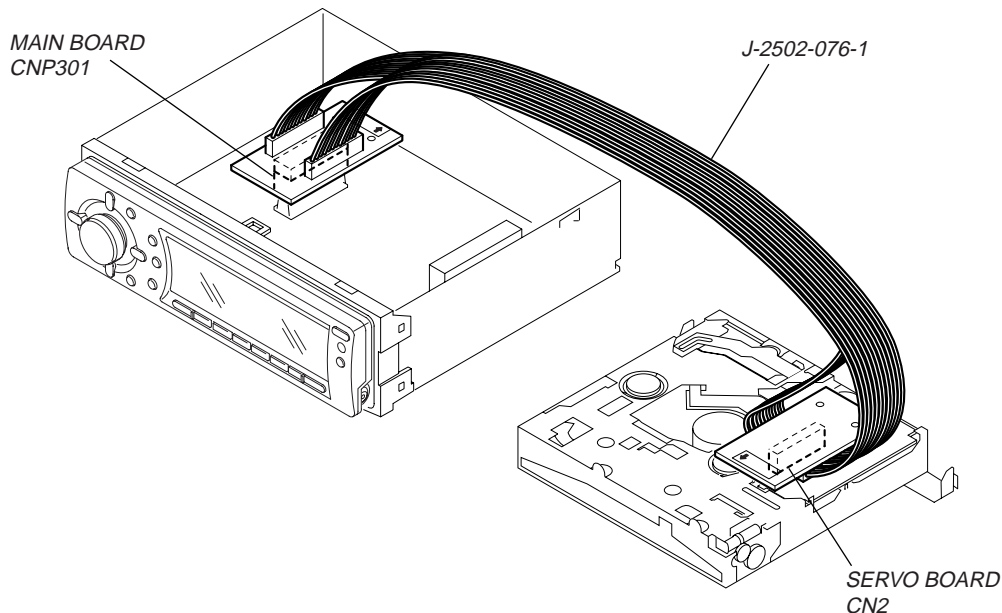
Type of discs	Label on the disc
CD-DA	
MP3 ATRAC CD	

*1 A CD TEXT disc is a CD-DA that includes information such as disc, artist and track name.

EXTENSION CABLE AND SERVICE POSITION

When repairing or servicing this set, connect the jig (extension cable) as shown below.

- Connect the MAIN board (CNP301) and the SERVO board (CN2) with the extension cable (Part No. J-2502-076-1).



● UNLEADED SOLDER

Boards requiring use of unleaded solder are printed with the lead free mark (LF) indicating the solder contains no lead. (Caution: Some printed circuit boards may not come printed with the lead free mark due to their particular size)

LF : LEAD FREE MARK

Unleaded solder has the following characteristics.

- Unleaded solder melts at a temperature about 40 °C higher than ordinary solder.
Ordinary soldering irons can be used but the iron tip has to be applied to the solder joint for a slightly longer time. Soldering irons using a temperature regulator should be set to about 350 °C.
Caution: The printed pattern (copper foil) may peel away if the heated tip is applied for too long, so be careful!
- Strong viscosity
Unleaded solder is more viscous (sticky, less prone to flow) than ordinary solder so use caution not to let solder bridges occur such as on IC pins, etc.
- Usable with ordinary solder
It is best to use only unleaded solder but unleaded solder may also be added to ordinary solder.

TABLE OF CONTENTS

1. GENERAL

Location of Controls 5
 Connections 6

2. DISASSEMBLY

2-1. Sub Panel Assy (CD) 10
 2-2. CD Mechanism Block 10
 2-3. Main Board 11
 2-4. Chassis (T) Sub Assy 11
 2-5. Roller Arm Assy 12
 2-6. Chassis (OP) Assy 12
 2-7. Optical Pick-up 13
 2-8. SL Motor Assy (M902) 13
 2-9. LE Motor Assy (M903) 14
 2-10. Servo Board 14

3. DIAGRAMS

3-1. Block Diagram –CD Section– 15
 3-2. Block Diagram –Main Section– 16
 3-3. Block Diagram –Display Section– 17
 3-4. Circuit Boards Location 18
 3-5. Printed Wiring Boards –CD Mechanism Section– 19
 3-6. Schematic Diagram –CD Mechanism Section (1/2)– 20
 3-7. Schematic Diagram –CD Mechanism Section (2/2)– 21
 3-8. Printed Wiring Boards –Main Section– 22
 3-9. Schematic Diagram –Main Section (1/4)– 24
 3-10. Schematic Diagram –Main Section (2/4)– 25
 3-11. Schematic Diagram –Main Section (3/4)– 26
 3-12. Schematic Diagram –Main Section (4/4)– 27
 3-13. Printed Wiring Board –Relay Section– 28
 3-14. Printed Wiring Board –Display Section– 29
 3-15. Schematic Diagram –Display Section– 30

4. EXPLODED VIEWS

4-1. Main Section 40
 4-2. Front Panel Section 41
 4-3. CD Mechanism Section (1) 42
 4-4. CD Mechanism Section (2) 43
 4-5. CD Mechanism Section (3) 44
 4-6. CD Mechanism Section (4) 45

5. ELECTRICAL PARTS LIST 46

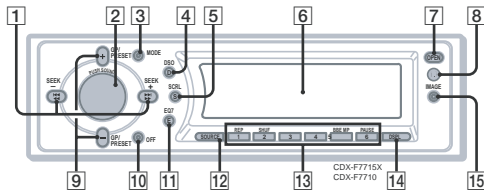
This section is extracted from instruction manual.

• LOCATION OF CONTROL

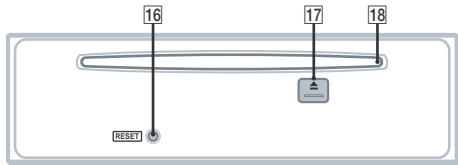
• CDX-F7715X

Location of controls and basic operations

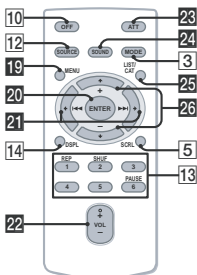
Main unit



Front panel removed



Card remote commander RM-X152



Refer to the pages listed for details. The corresponding buttons on the card remote commander control the same functions as those on the unit.

- 1 SEEK +/- buttons**
Radio:
To tune in stations automatically (press); find a station manually (press and hold).
CD:
To skip tracks (press); skip tracks continuously (press, then press again within about 1 second and hold); fast-forward/reverse a track (press and hold).
- 2 Volume control dial/SOUND button 9**
To adjust volume (rotate); select sound items (press).
- 3 MODE button 8, 12**
To select the radio band (FM/AM)/select the unit*1.
- 4 DSO button 2**
To select the DSO mode (1, 2, 3 or OFF). The larger the number, the more enhanced the effect.

- 5 SCRL (scroll) button 8**
To scroll the display item.
- 6 Display window**
- 7 OPEN button 5**
- 8 Receptor for the card remote commander**
- 9 GP*/PRESET +/- buttons**
To select preset stations/skip groups (press); skip groups continuously (press and hold).
- 10 OFF button**
To power off/stop the source.
- 11 EQ7 (equalizer) button**
To select an equalizer type (Xplod, VOCAL, CLUB, JAZZ, NEWAGE, ROCK, CUSTOM or OFF).
- 12 SOURCE button**
To power on/change the source (Radio/CD/MD*3/AUX*4).
- 13 Number buttons**
Radio:
To receive stored stations (press); store stations (press and hold).
CD/MD*5:
(1) REP 8
(2) SHUF 8
(5) BBE MP*6*6 3
To activate the BBE MP function, set "BBE MP on." To cancel, set "BBE MP off."
(8) PAUSE*6
To pause playback. To cancel, press again.
- 14 DSPL (display) button 8, 10**
To change display items.
- 15 IMAGE button 2**
To select the display image.
Space Producer mode → Wall paper mode 1-3 → Spectrum analyzer mode 1-5 → Movie mode 1-3 → normal play/reception mode
- 16 RESET button 4**
- 17 Eject button 5**
To eject the disc.
- 18 Disc slot 5**
To insert the disc.

- The following buttons on the card remote commander have also different buttons/functions from the unit.
- 19 MENU button**
To enter menu.
 - 20 ENTER button**
To complete a setting.
 - 21 <- (←) / (→) / (→) buttons**
To control radio/CD, the same as (SEEK +/-) on the unit.
 - 22 VOL (volume) +/- button**
To adjust volume.
 - 23 ATT (attenuate) button**
To attenuate the sound. To cancel, press again.
 - 24 SOUND button 9**
To select sound items.
 - 25 LIST/CAT*7 button 9, 12**
To list up.
 - 26 ↑ (+) / ↓ (-) buttons**
To control radio/CD, the same as (GP/PRESET +/-) on the unit.
- *1 When a CD/MD changer is connected.
*2 When an MP3/ATRAC CD is played and a changer is not connected. If the changer is connected, the operation is different, see page 12.
*3 When an MD changer is connected.
*4 When an optional Sony portable device is connected.
*5 The unit only.
*6 When playing back on this unit.
*7 When the XM tuner is connected.
- Note**
If the unit is turned off and the display disappears, it cannot be operated with the card remote commander unless (SOURCE) on the unit is pressed, or a disc is inserted to activate the unit first.
- Tip**
For details on how to replace the battery, see "Replacing the lithium battery of the card remote commander" on page 14.

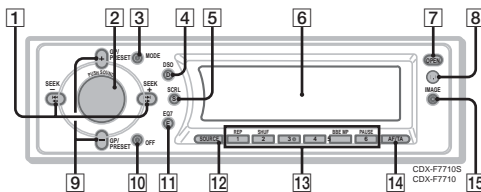
6

7

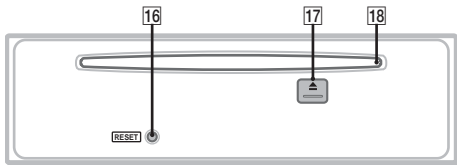
• CDX-F7710/F7710S/F7750/F7750S

Location of controls and basic operations

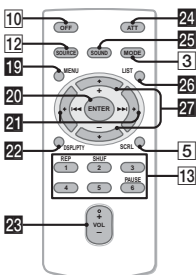
Main unit



Front panel removed



Card remote commander RM-X154



Refer to the pages listed for details. The corresponding buttons on the card remote commander control the same functions as those on the unit.

- 1 SEEK +/- buttons**
Radio:
To tune in stations automatically (press); find a station manually (press and hold).
CD:
To skip tracks (press); skip tracks continuously (press, then press again within about 1 second and hold); fast-forward/reverse a track (press and hold).
- 2 Volume control dial/SOUND button 11**
To adjust volume (rotate); select sound items (press).
- 3 MODE button 8, 12**
To select the radio band (FM/MW/LW)/select the unit*1.
- 4 DSO button 2**
To select the DSO mode (1, 2, 3 or OFF). The larger the number, the more enhanced the effect.

- 5 SCRL (scroll) button 8**
To scroll the display item.
- 6 Display window**
- 7 OPEN button 5**
- 8 Receptor for the card remote commander**
- 9 GP*/PRESET +/- buttons**
To select preset stations/skip groups (press); skip groups continuously (press and hold).
- 10 OFF button**
To power off/stop the source.
- 11 EQ7 (equalizer) button**
To select an equalizer type (Xplod, VOCAL, CLUB, JAZZ, NEWAGE, ROCK, CUSTOM or OFF).
- 12 SOURCE button**
To power on/change the source (Radio/CD/MD*3/AUX*4).
- 13 Number buttons**
Radio:
To receive stored stations (press); store stations (press and hold).
CD/MD*5:
(1) REP 8
(2) SHUF 8
(5) BBE MP*6*6 2
To activate the BBE MP function, set "BBE MP on." To cancel, set "BBE MP off."
(8) PAUSE*6
To pause playback. To cancel, press again.
- 14 AF (Alternative Frequencies)/TA (Traffic Announcement) button 9, 10**
To set AF and TA/TP in RDS.
- 15 IMAGE button 2**
To select the display image.
Space Producer mode → Wall paper mode 1-3 → Spectrum analyzer mode 1-5 → Movie mode 1-3 → normal play/reception mode
- 16 RESET button 4**
- 17 Eject button 5**
To eject the disc.
- 18 Disc slot 5**
To insert the disc.

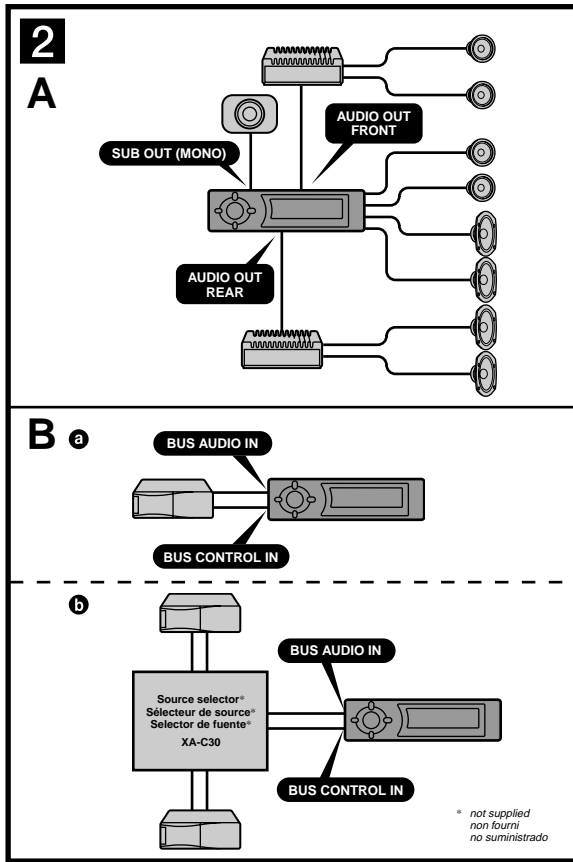
- The following buttons on the card remote commander have also different buttons/functions from the unit.
- 19 MENU button**
To enter menu.
 - 20 ENTER button**
To complete a setting.
 - 21 <- (←) / (→) / (→) buttons**
To control radio/CD, the same as (SEEK +/-) on the unit.
 - 22 DSPL (display)/PTY (Programme Type) button 8, 10, 13**
To change display items; to select PTY in RDS.
 - 23 VOL (volume) +/- button**
To adjust volume.
 - 24 ATT (attenuate) button**
To attenuate the sound. To cancel, press again.
 - 25 SOUND button 11**
To select sound items.
 - 26 LIST button 9, 13**
To list up.
 - 27 ↑ (+) / ↓ (-) buttons**
To control radio/CD, the same as (GP/PRESET +/-) on the unit.
- *1 When a CD/MD changer is connected.
*2 When an MP3/ATRAC CD is played and a changer is not connected. If the changer is connected, the operation is different, see page 13.
*3 When an MD changer is connected.
*4 When an optional Sony portable device is connected.
*5 The unit only.
*6 When playing back on this unit.
- Note**
If the unit is turned off and the display disappears, it cannot be operated with the card remote commander unless (SOURCE) on the unit is pressed, or a disc is inserted to activate the unit first.
- Tip**
For details on how to replace the battery, see "Replacing the lithium battery of the card remote commander" on page 16.

6

7

• CONNECTIONS

• CDX-F7715X



Connection example (2)

Notes (2-A)

- Be sure to connect the ground lead before connecting the amplifier.
- The alarm will only sound if the built-in amplifier is used.

Tip (2-B-0)

For connecting two or more CD/MD changers, the source selector XA-C30 (optional) is necessary.

Exemple de raccordement (2)

Remarques (2-A)

- Raccordez d'abord le câble de mise à la masse avant de raccorder l'amplificateur.
- L'alarme est émise uniquement lorsque l'amplificateur intégré est utilisé.

Conseil (2-B-0)

Dans le cas du raccordement de deux changeurs de CD/MD ou plus, le sélecteur de source XA-C30 (en option) est requis.

Ejemplo de conexiones (2)

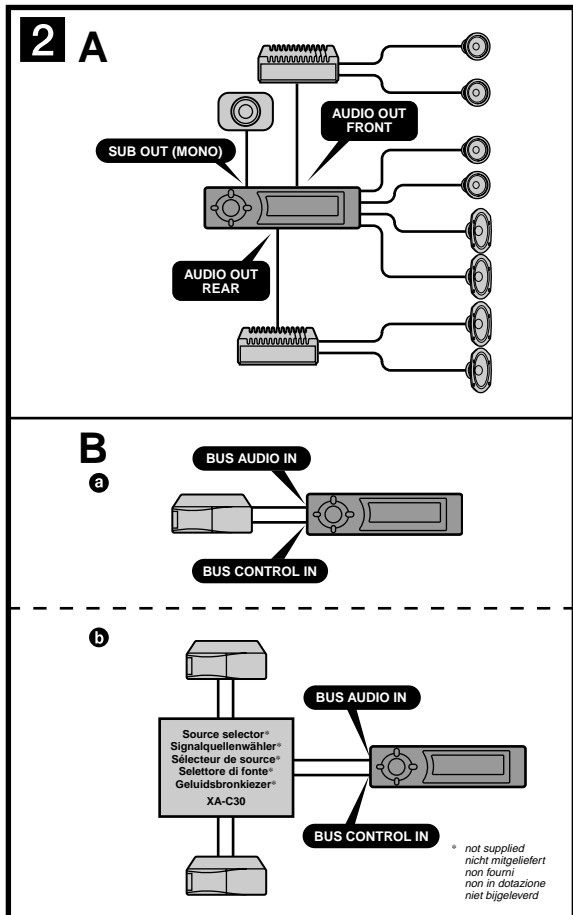
Notas (2-A)

- Asegúrese de conectar primero el cable de conexión a masa antes de realizar la conexión del amplificador.
- La alarma sonará únicamente si se utiliza el amplificador incorporado.

Sugerencia (2-B-0)

Si desea conectar dos o más cambiadores de CD/MD, necesitará el selector de fuente XA-C30 (opcional).

• CDX-F7750/F7750S



Connection example (2)

Notes (2-A)

- Be sure to connect the earth lead before connecting the amplifier.
- The alarm will only sound if the built-in amplifier is used.

Tip (2-B-0)

For connecting two or more CD/MD changers, the source selector XA-C30 (optional) is necessary.

Anschlussbeispiel (2)

Hinweise (2-A)

- Schließen Sie unbedingt zuerst das Massekabel an, bevor Sie den Verstärker anschließen.
- Der Signalton wird nur ausgegeben, wenn der integrierte Verstärker verwendet wird.

Tipp (2-B-0)

Zum Anschließen von zwei oder mehr CD/MD-Wechslern wird der gesondert erhältliche Signalquellenwähler XA-C30 benötigt.

Exemple de raccordement (2)

Remarques (2-A)

- Raccordez d'abord le câble de mise à la masse avant de connecter l'amplificateur.
- Un bip sera émis uniquement lorsque l'amplificateur intégré est utilisé.

Conseil (2-B-0)

Dans le cas du raccordement de deux changeurs de CD/MD ou plus, le sélecteur de source XA-C30 (en option) est indispensable.

Esempio di collegamento (2)

Note (2-A)

- Assicurarsi di collegare il cavo di terra prima di collegare l'apparecchio all'amplificatore.
- Il segnale acustico viene emesso solo se viene utilizzato l'amplificatore incorporato.

Suggerimento (2-B-0)

Per collegare due o più cambia CD/MD, si deve utilizzare il selettore di fonte XA-C30 (opzionale).

Voorbeeldaansluitingen (2)

Opmerkingen (2-A)

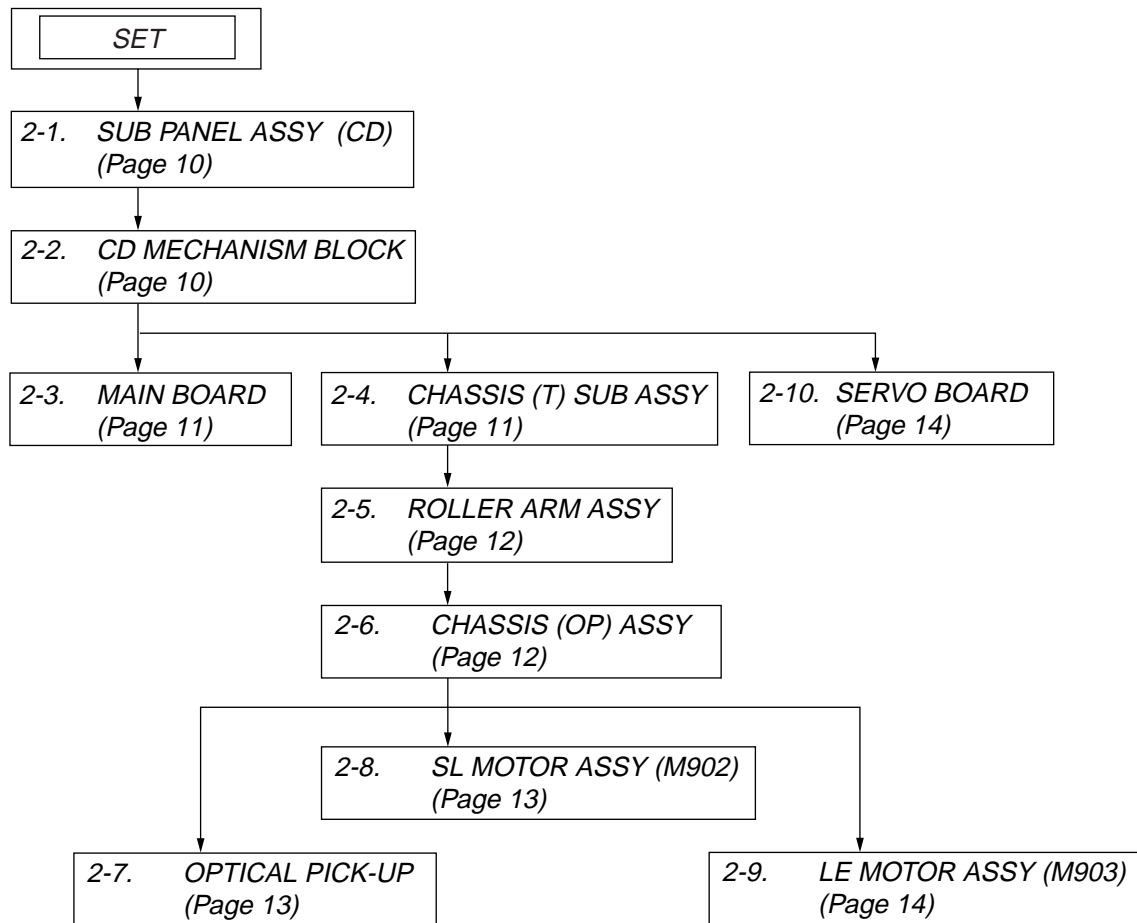
- Sluit eerst de aarddraad aan voordat u de versterker aansluit.
- U hoort de pieptoon alleen als de ingebouwde versterker wordt gebruikt.

Tip (2-B-0)

Om twee of meer CD/MD-wisselaars aan te sluiten, hebt u de geluidsbronkiezer XA-C30 (optioneel) nodig.

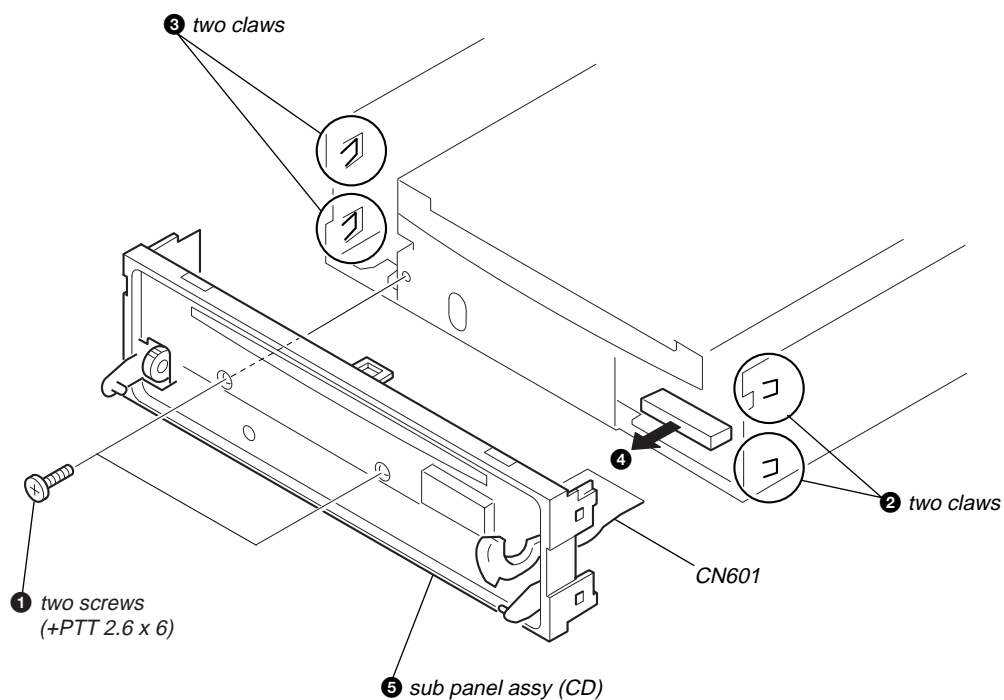
CDX-F7710/F7710S/F7715X/F7750/F7750S
SECTION 2
DISASSEMBLY

Note : This set can be disassemble according to the following sequence.

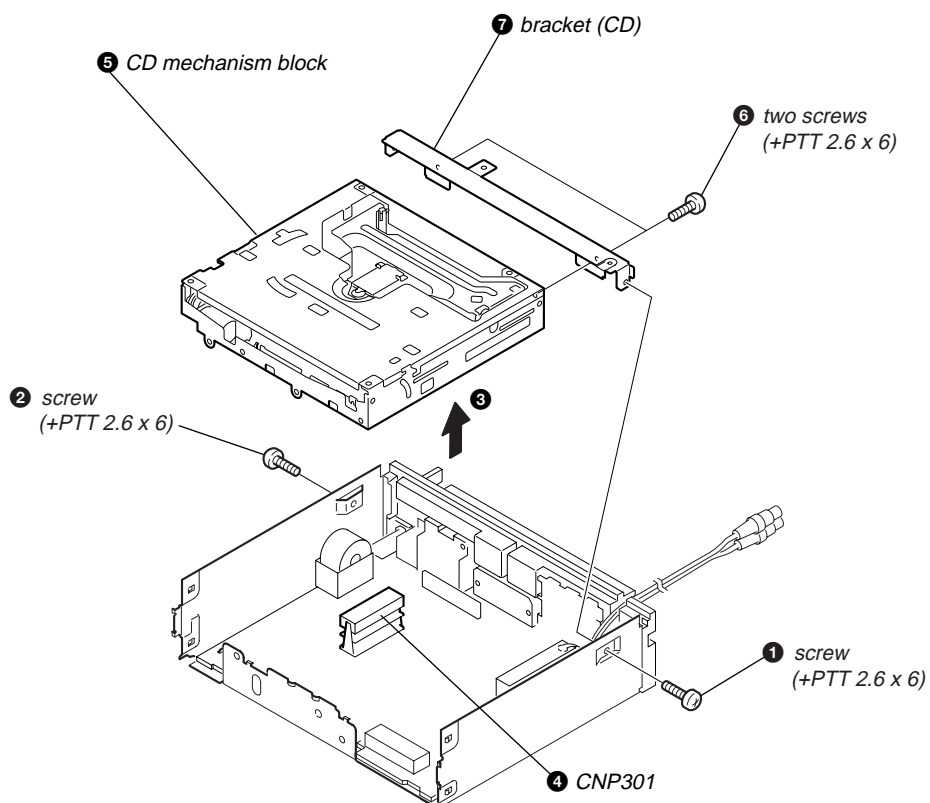


Note : Follow the disassembly procedure in the numerical order given.

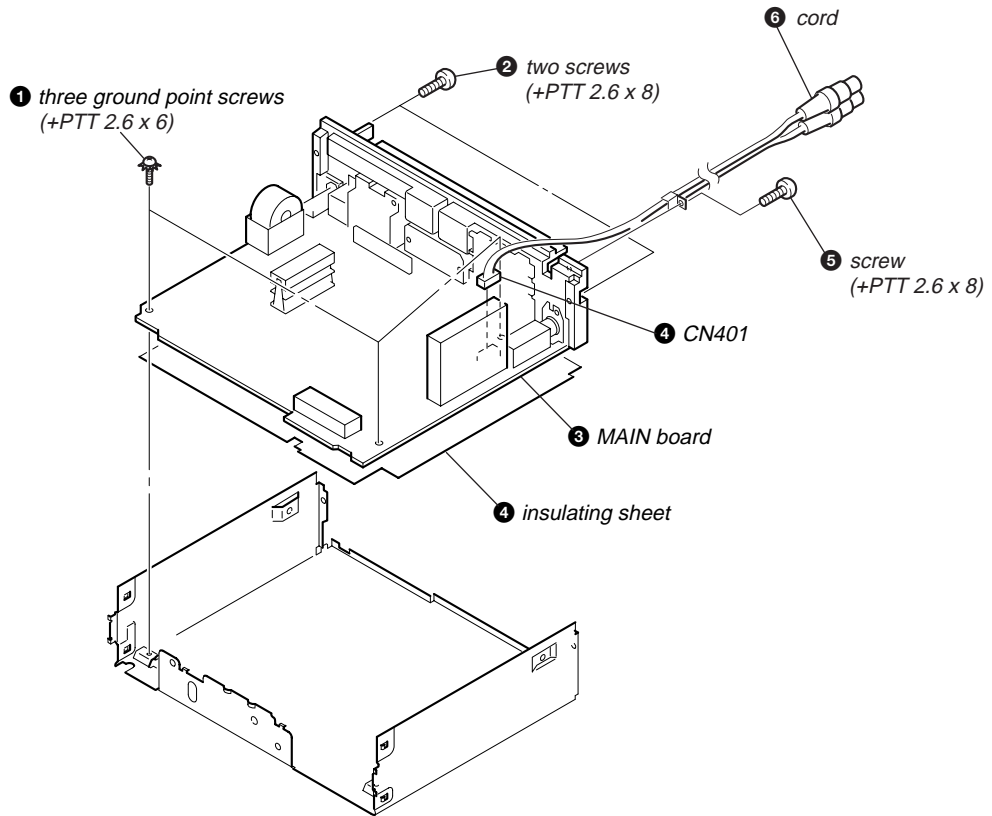
2-1. SUB PANEL ASSY (CD)



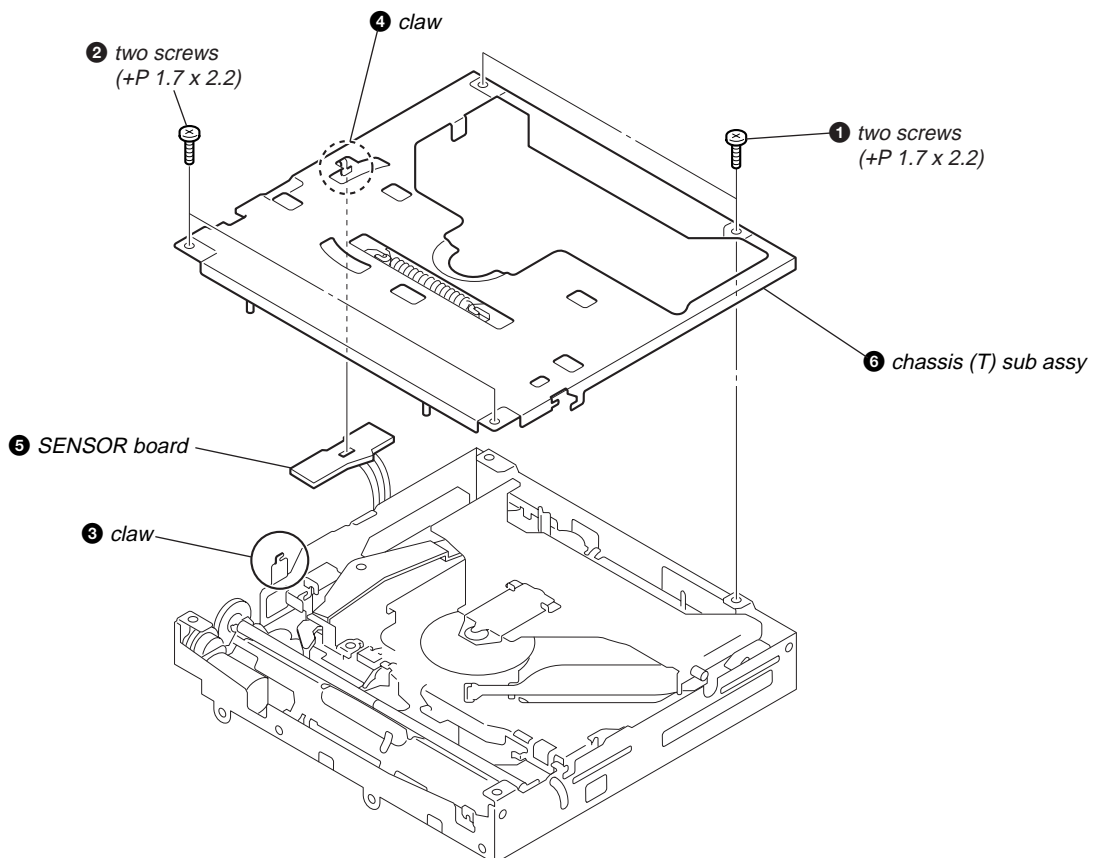
2-2. CD MECHANISM BLOCK



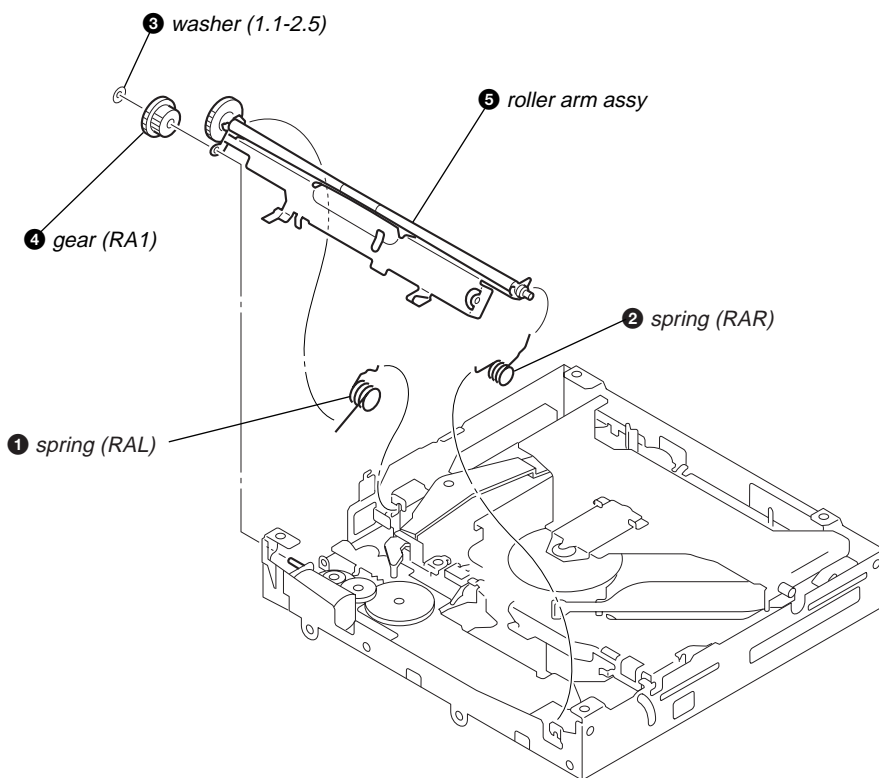
2-3. MAIN BOARD



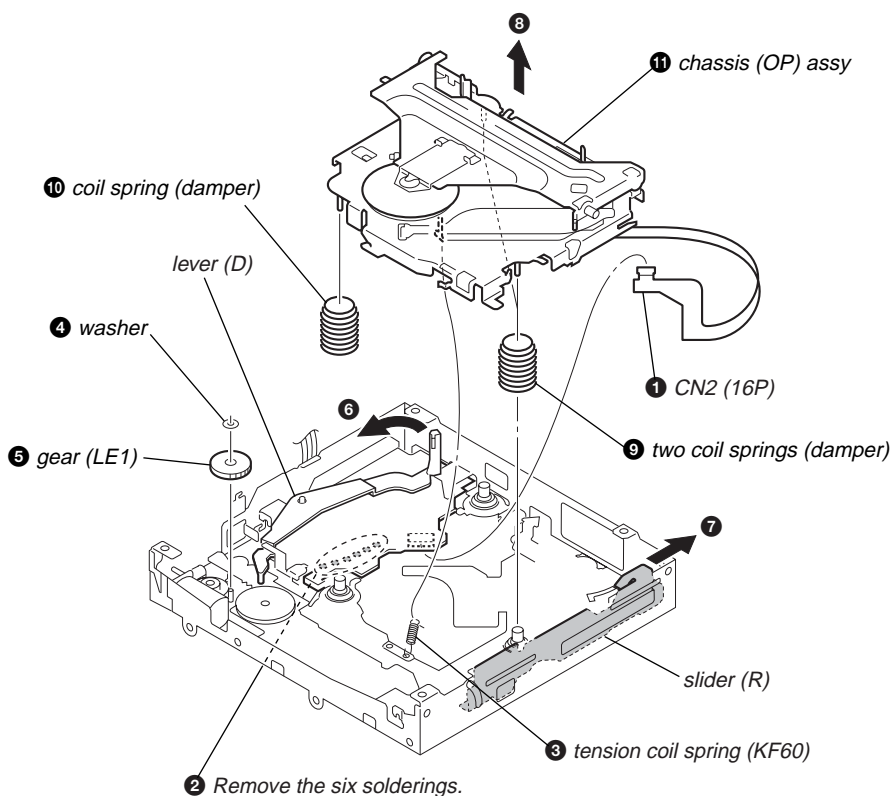
2-4. CHASSIS (T) SUB ASSY



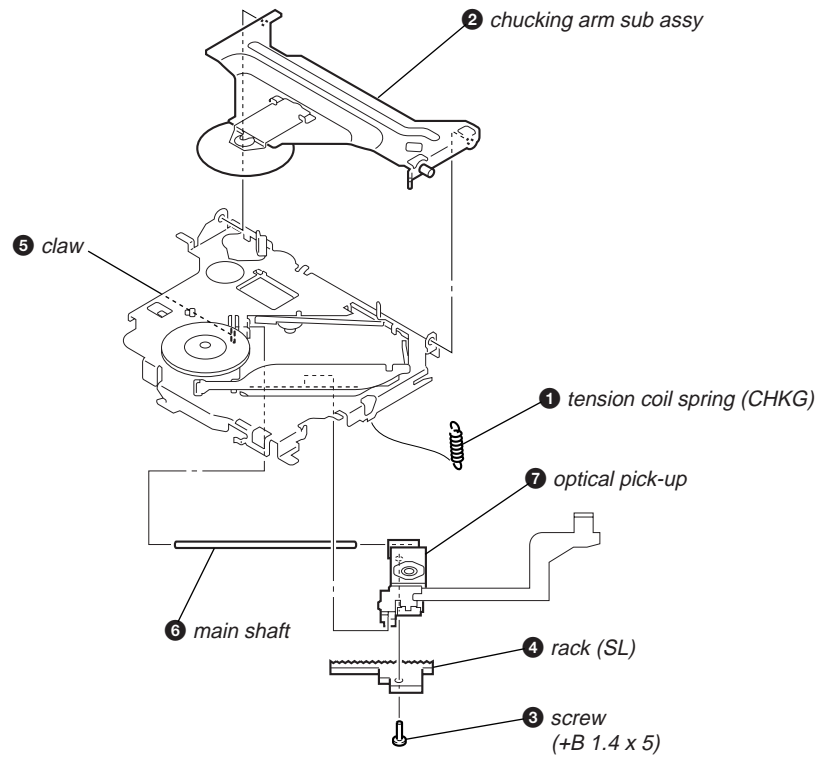
2-5. ROLLER ARM ASSY



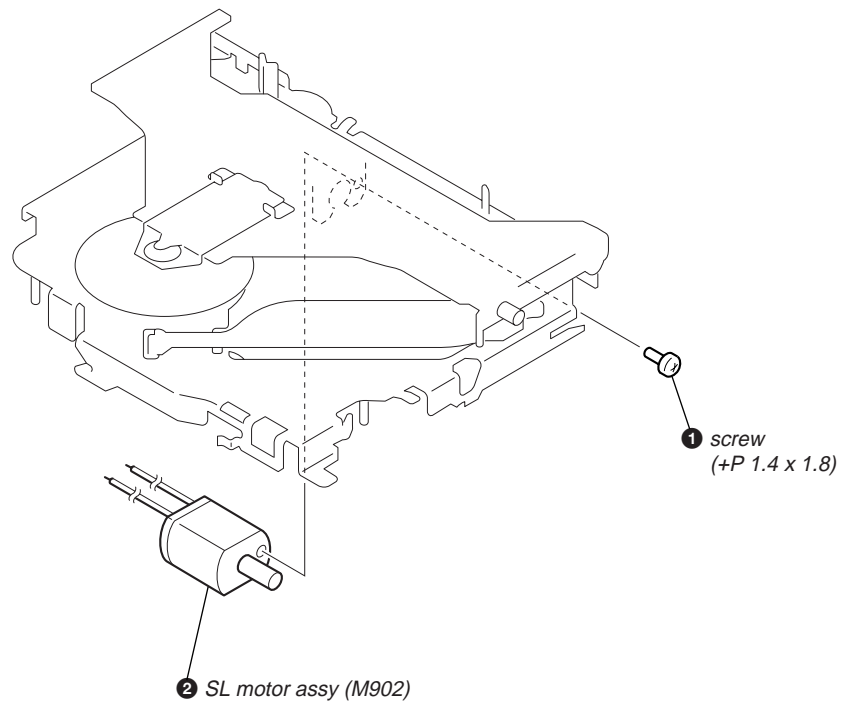
2-6. CHASSIS (OP) ASSY



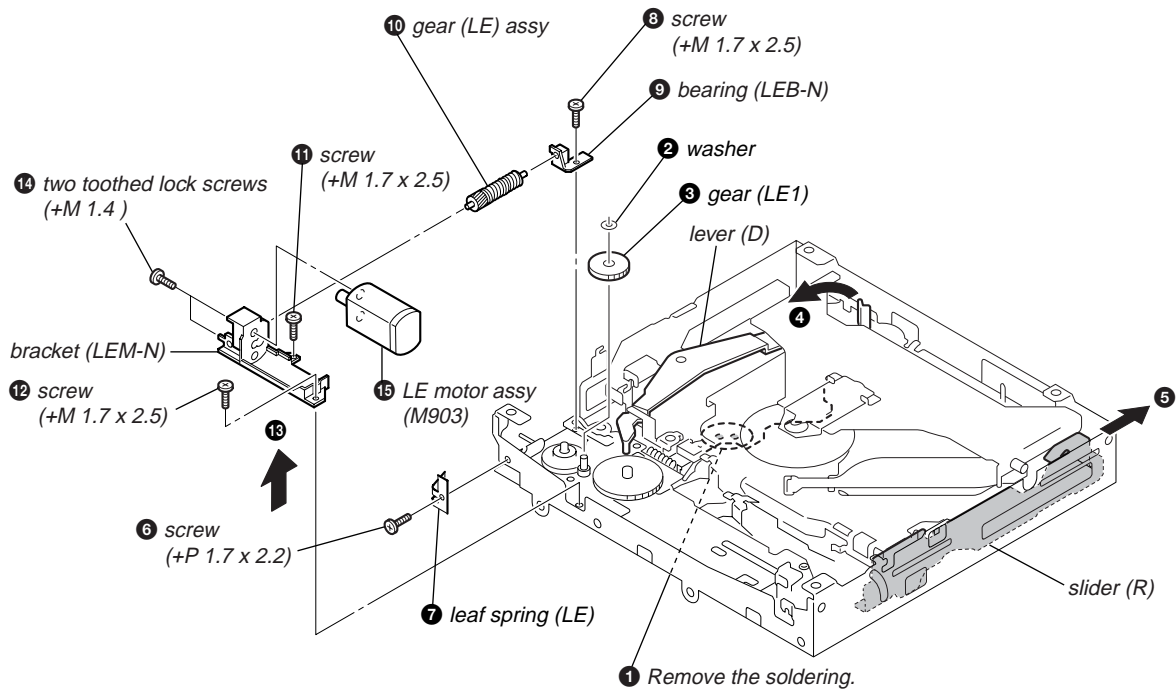
2-7. OPTICAL PICK-UP



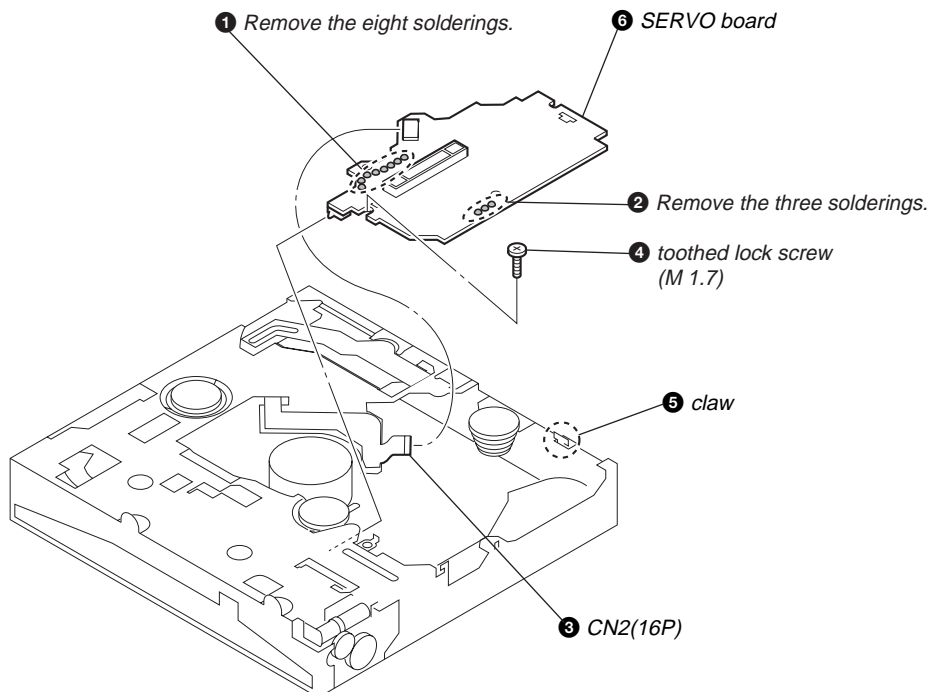
2-8. SL MOTOR ASSY (M902)



2-9. LE MOTOR ASSY (M903)

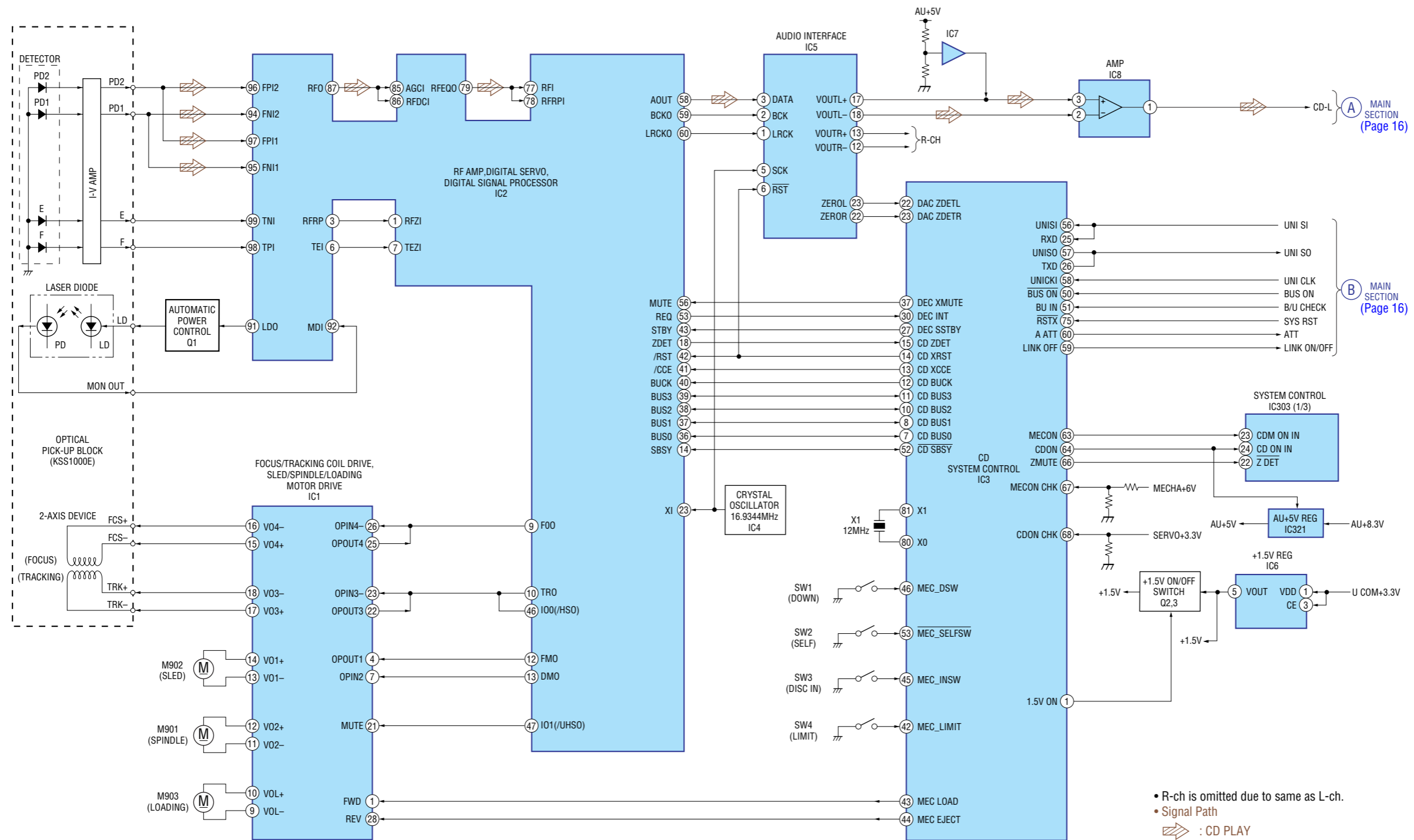


2-10. SERVO BOARD

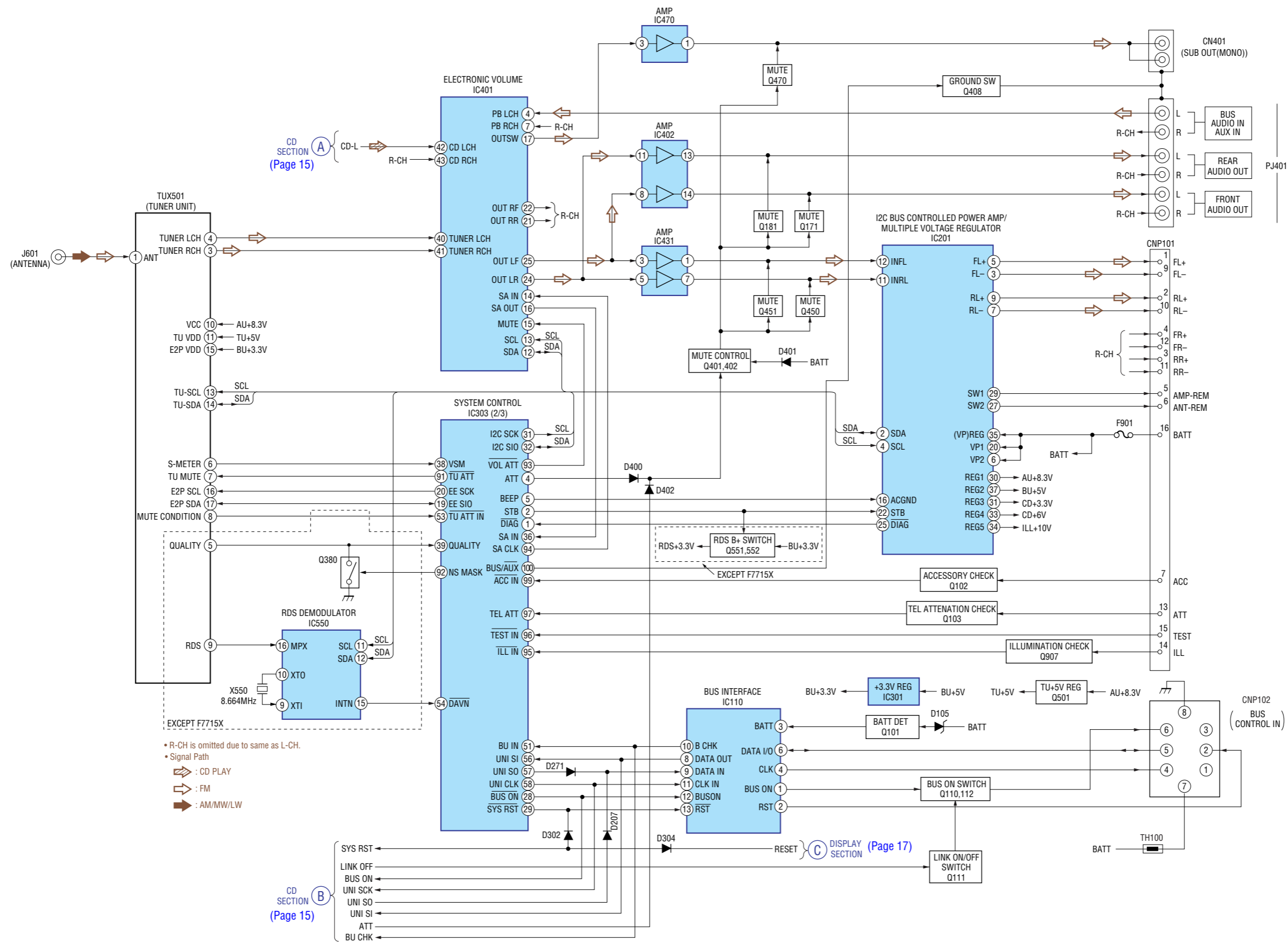


SECTION 3
DIAGRAMS

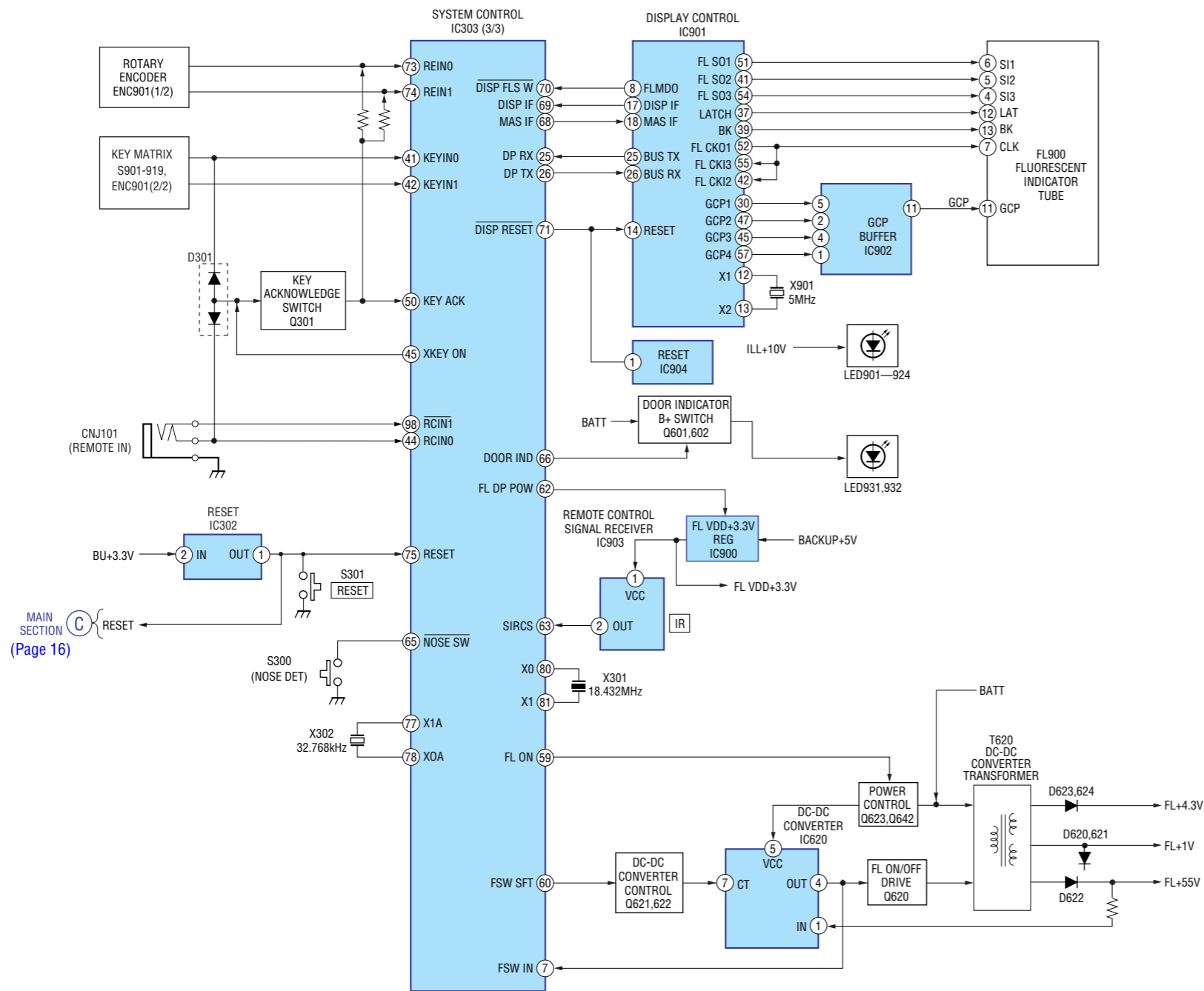
3-1. BLOCK DIAGRAM — CD SECTION —



3-2. BLOCK DIAGRAM — MAIN SECTION —

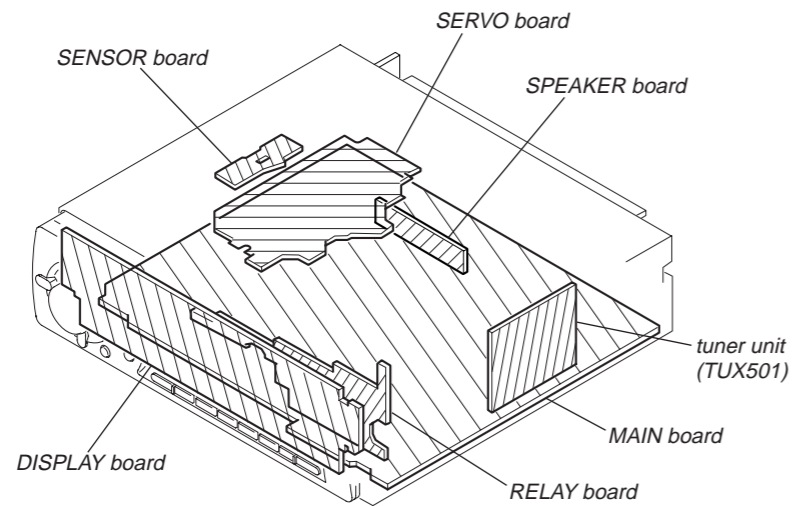


3-3. BLOCK DIAGRAM — DISPLAY SECTION —



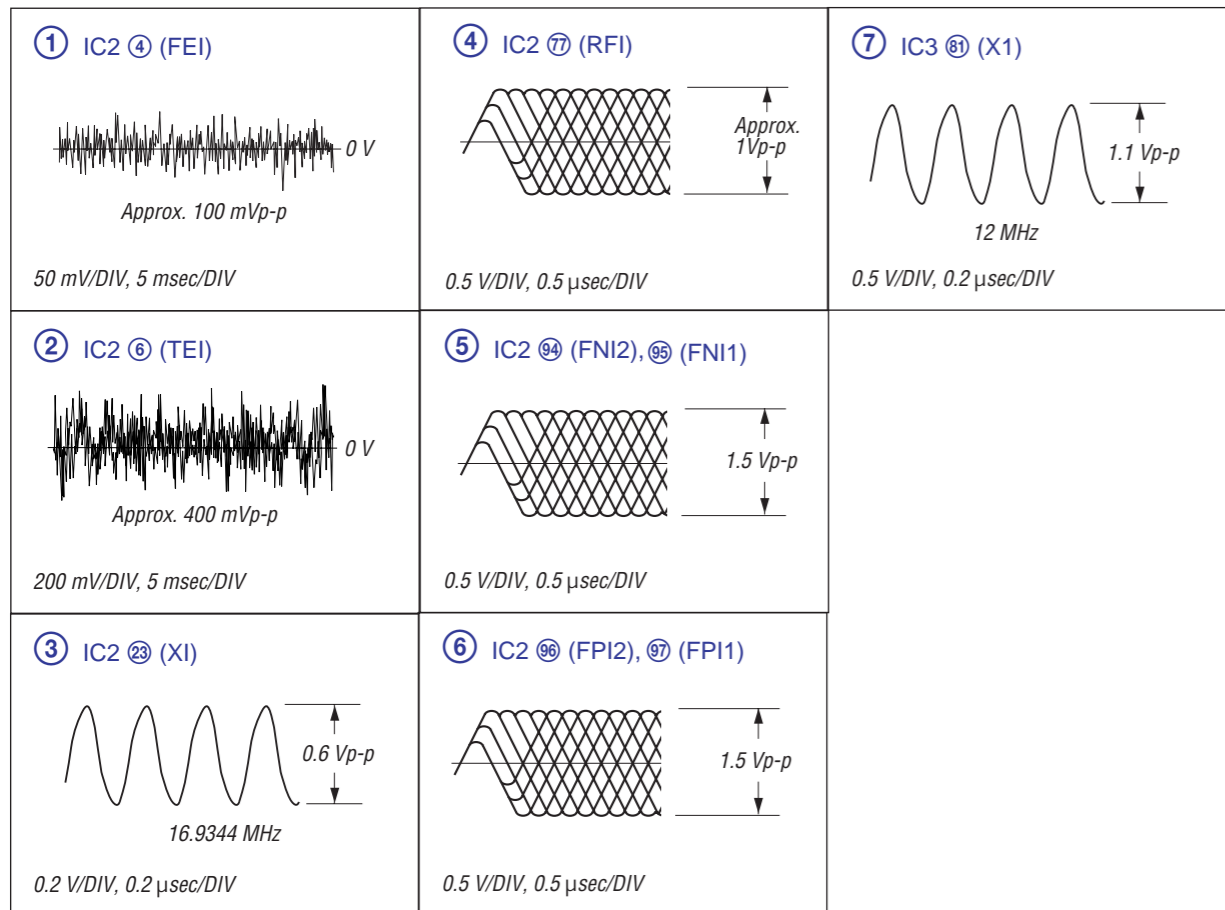
MAIN SECTION (C) RESET (Page 16)

3-4. CIRCUIT BOARDS LOCATION



• WAVEFORMS

— SERVO BOARD —
(CD PLAY)



• NOTE FOR PRINTED WIRING BOARDS AND SCHEMATIC DIAGRAMS

THIS NOTE IS COMMON FOR PRINTED WIRING BOARDS AND SCHEMATIC DIAGRAMS.
(In addition to this, the necessary note is printed in each block.)

For schematic diagrams.

Note:

- All capacitors are in μF unless otherwise noted. (p: pF) 50 WV or less are not indicated except for electrolytics and tantalums.
- All resistors are in Ω and $1/4\text{ W}$ or less unless otherwise specified.
- \triangle : internal component.
- \square : panel designation.

Note:

The components identified by mark \triangle or dotted line with mark \triangle are critical for safety. Replace only with part number specified.

Note:

Les composants identifiés par une marque \triangle sont critiques pour la sécurité. Ne les remplacer que par une pièce portant le numéro spécifié.

- : B+ Line.
- : B- Line.
- : adjustment for repair.
- Voltages and waveforms are dc with respect to ground under no-signal (detuned) conditions.
- CD mechanism section (1/2), (2/2)
no mark : CD PLAY
- Main (1/4), (2/4), (3/4), (4/4) and Display sections
no mark : FM
() : AM/MW/LW
< > : CD PLAY
* : Impossible to measure
- Voltages are taken with a VOM (Input impedance 10 M Ω). Voltage variations may be noted due to normal production tolerances.
- Waveforms are taken with an oscilloscope. Voltage variations may be noted due to normal production tolerances.
- Circled numbers refer to waveforms.
- Signal path.
 : CD PLAY
 : FM
 : AM/MW/LW
 : BUS AUDIO

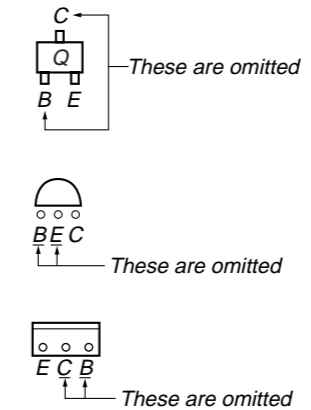
For printed wiring boards.

Note:

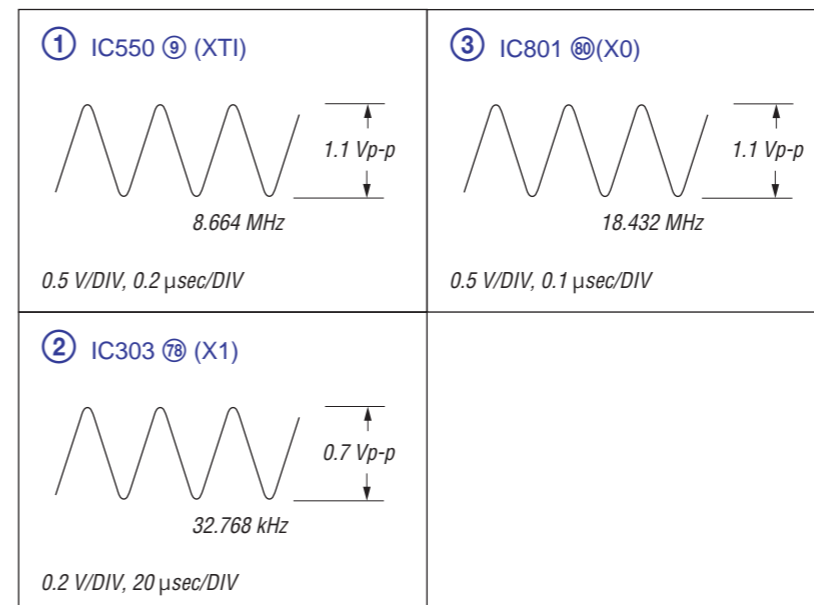
- : parts extracted from the component side.
- : parts extracted from the conductor side.
- : Through hole.
- : Pattern from the side which enables seeing. (The other layers' patterns are not indicated.)

Caution:

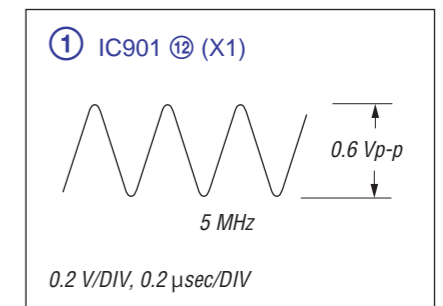
Pattern face side: Parts on the pattern face side seen from the (Side B) pattern face are indicated.
Parts face side: Parts on the parts face side seen from the (Side A) parts face are indicated.



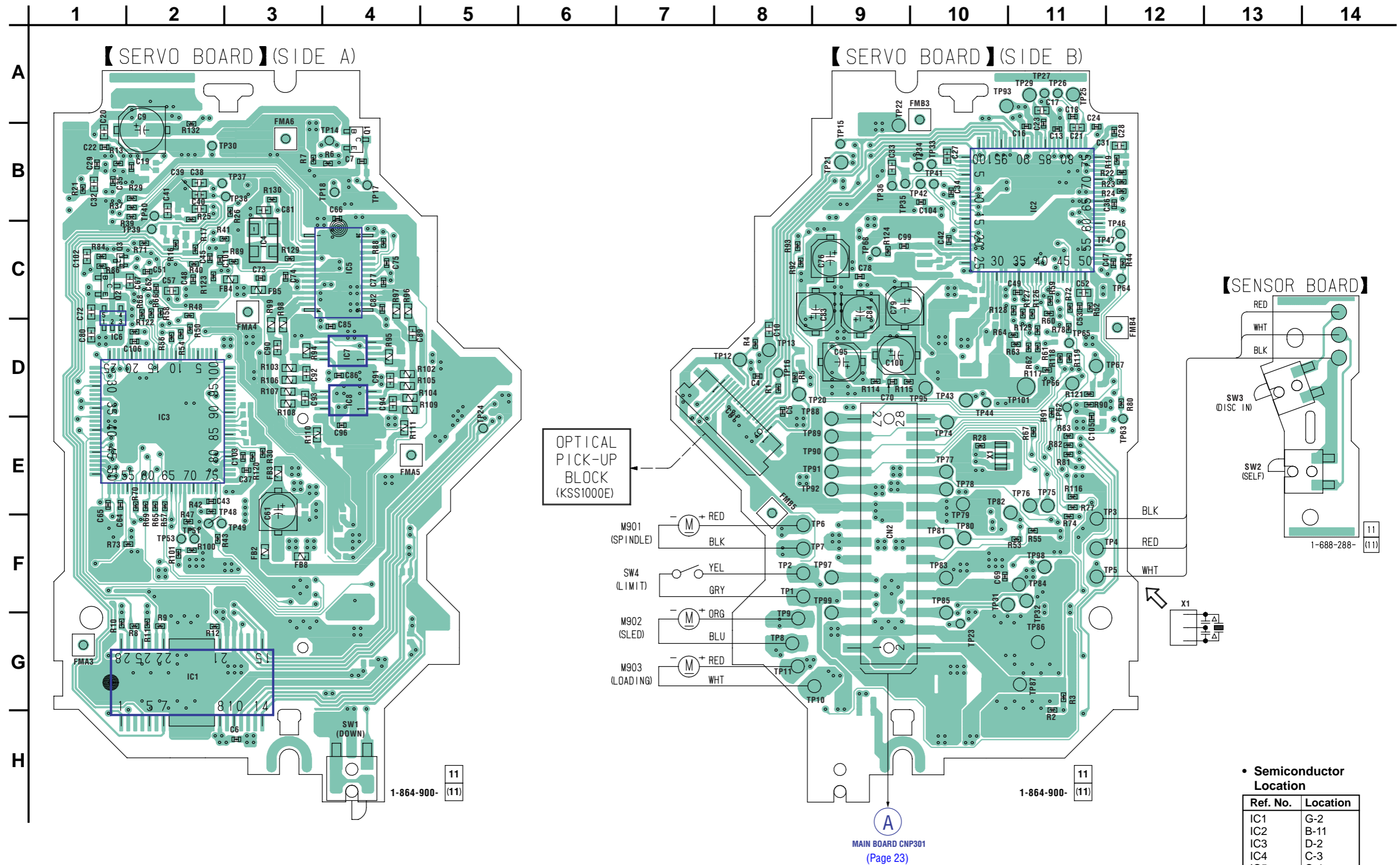
— MAIN BOARD —



— DISPLAY BOARD —



3-5. PRINTED WIRING BOARDS — CD MECHANISM SECTION — • Refer to page 18 for Circuit Boards Location.  : Uses unleaded solder.

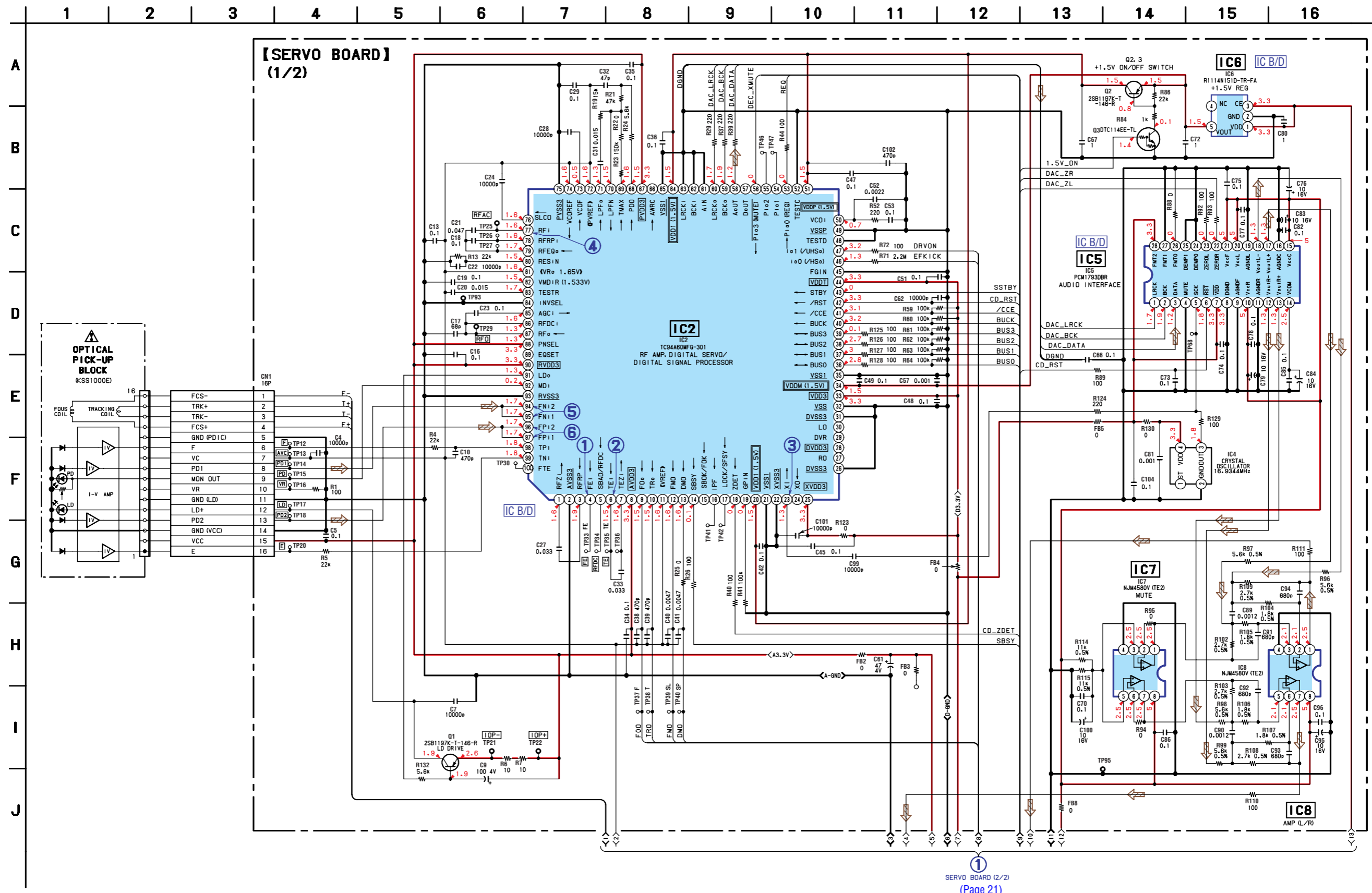


• Semiconductor Location

Ref. No.	Location
IC1	G-2
IC2	B-11
IC3	D-2
IC4	C-3
IC5	C-4
IC6	D-1
IC7	D-4
IC8	D-4
Q1	B-4
Q2	C-1
Q3	C-1

• Refer to page 18 for Waveforms.
 • Refer to page 31 for IC Block Diagrams.

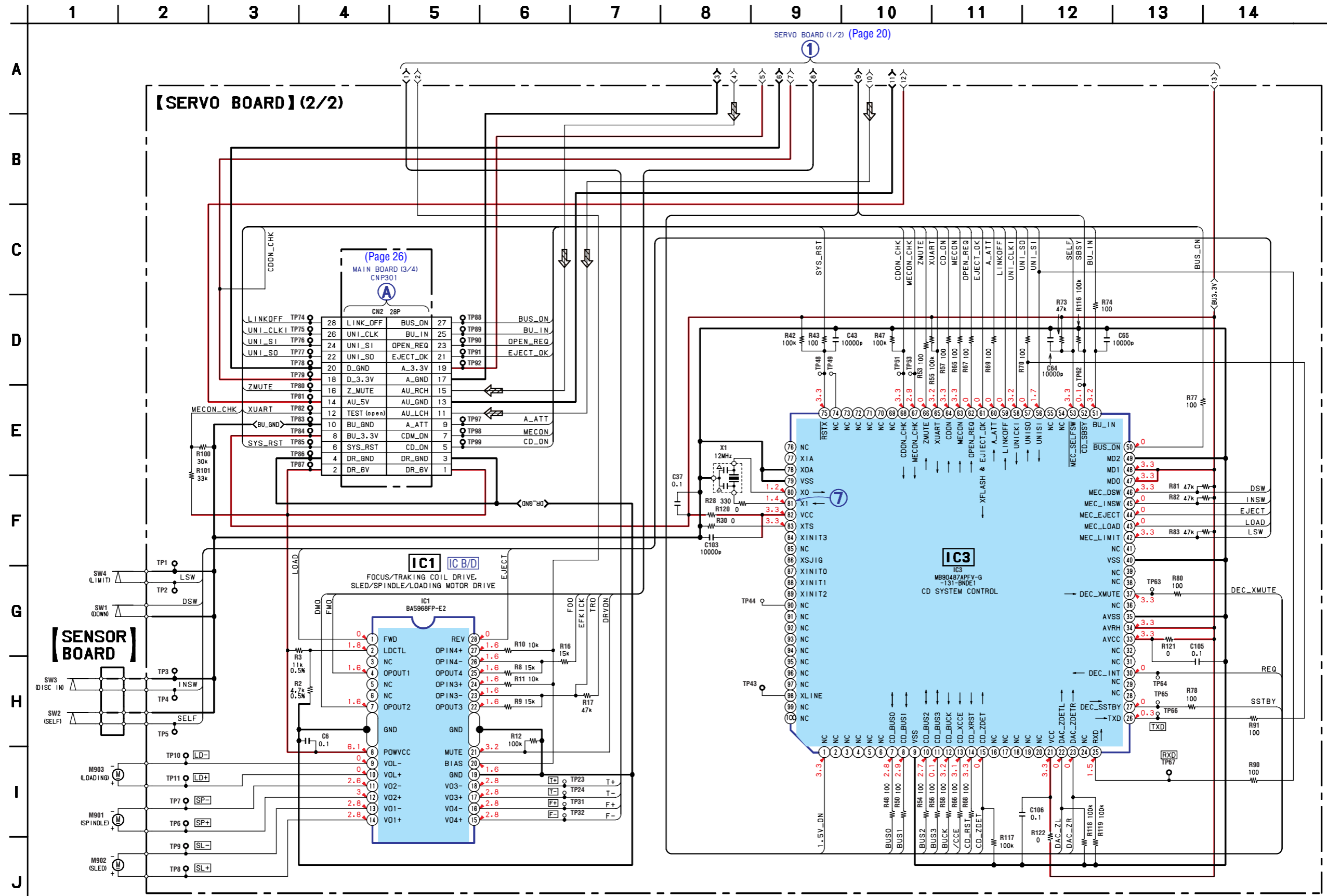
3-6. SCHEMATIC DIAGRAM — CD MECHANISM SECTION (1/2)



1
SERVO BOARD (2/2)
(Page 21)

3-7. SCHEMATIC DIAGRAM — CD MECHANISM SECTION (2/2) —

- Refer to page 18 for Waveform.
- Refer to page 32 for IC Block Diagram.
- Refer to page 36 for IC Pin Description.

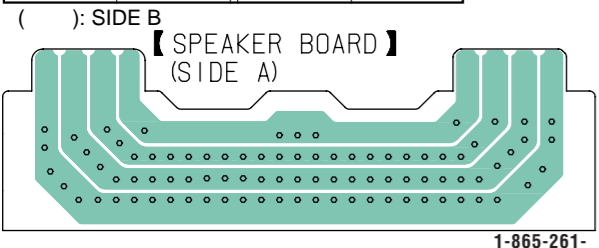
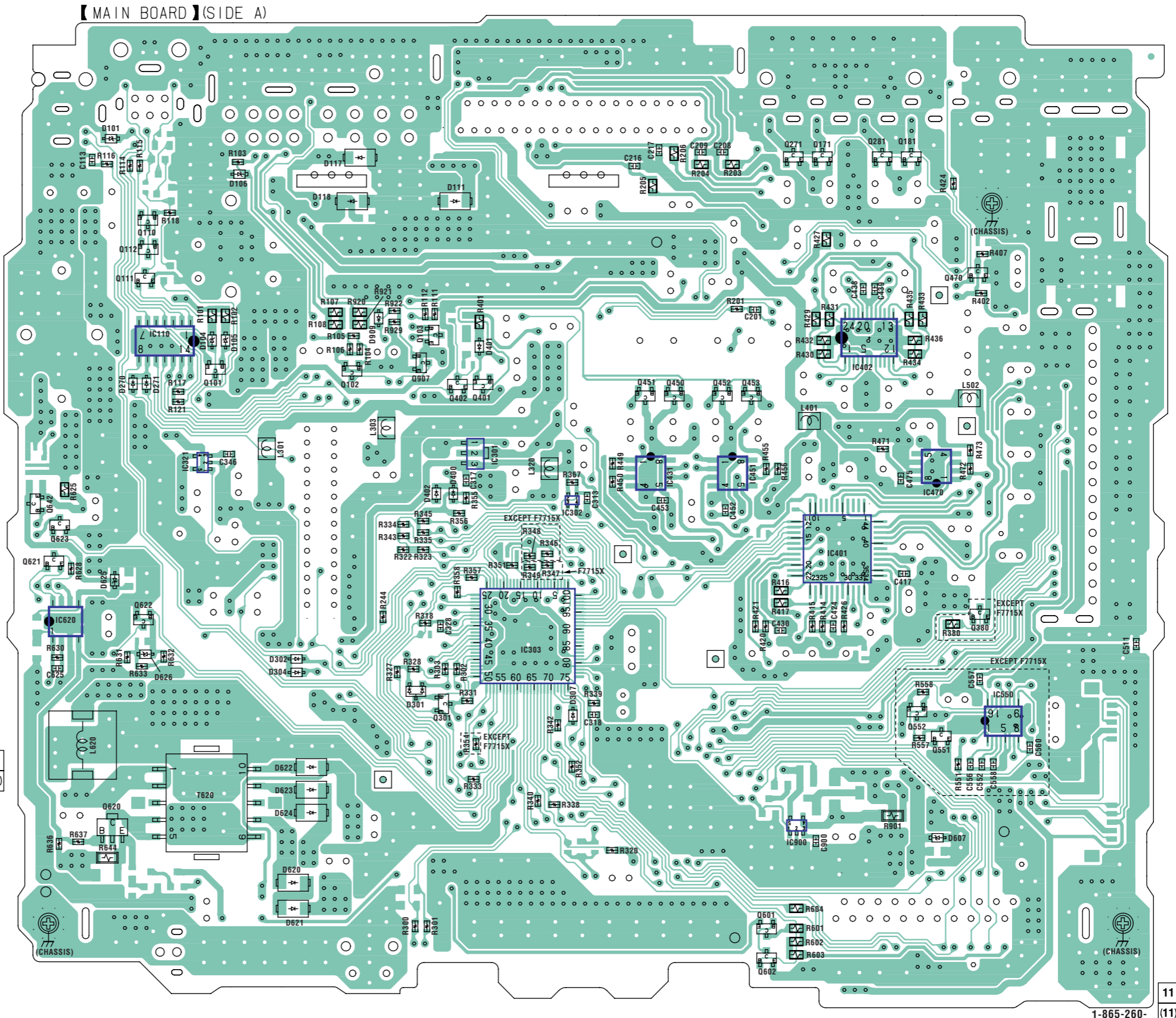


3-8. PRINTED WIRING BOARDS — MAIN SECTION — • Refer to page 18 for Circuit Boards Location.  : Uses unleaded solder.

14 | 13 | 12 | 11 | 10 | 9 | 8 | 7 | 6 | 5 | 4 | 3 | 2 | 1

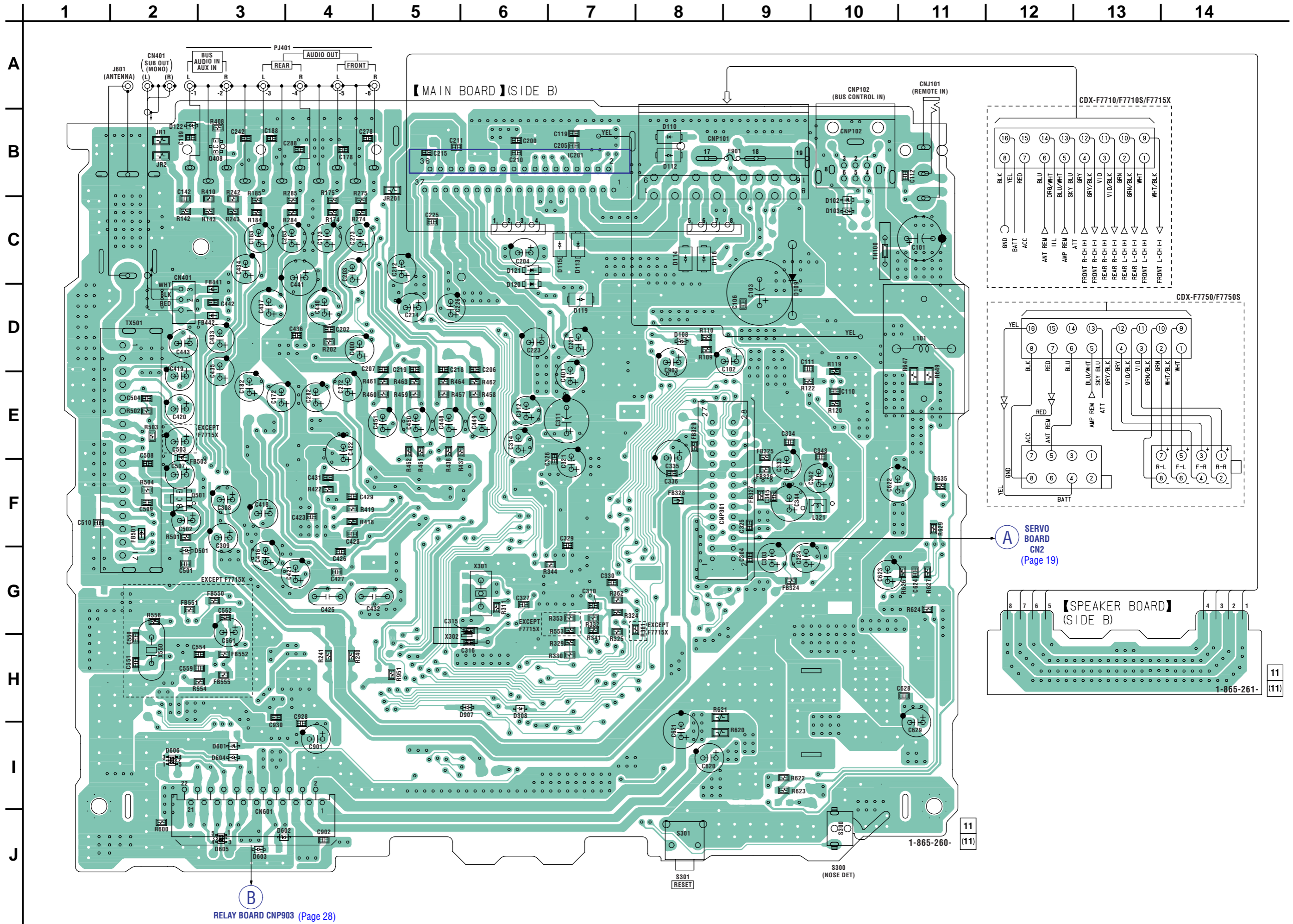
• Semiconductor Location

Ref. No.	Location	Ref. No.	Location
D101	B-10	IC110	D-10
(D102)	C-10	(IC201)	B-7
(D103)	C-10	IC301	E-7
D104	D-9	IC302	F-6
D105	D-9	IC303	G-7
D106	C-9	IC321	E-10
(D108)	D-8	IC401	F-4
(D109)	C-9	IC402	D-4
(D110)	B-8	IC431	E-5
D111	C-7	IC451	E-5
(D112)	B-8	IC470	F-3
(D113)	C-7	IC550	H-2
(D114)	C-8	IC620	G-11
(D115)	C-7	IC900	I-4
(D116)	C-8		
D117	C-8	Q101	E-9
D118	C-8	Q102	E-8
(D119)	D-7	Q103	D-8
(D120)	C-6	Q110	C-10
(D121)	C-6	Q111	D-10
(D122)	B-2	Q112	C-10
D270	E-10	Q171	C-4
D271	E-10	Q181	C-3
D301	G-8	Q271	C-4
D302	G-9	Q281	C-4
D304	G-9	Q301	H-7
D307	H-6	Q380	G-3
(D308)	H-6	Q401	E-7
D400	F-7	Q402	E-7
D401	D-7	(Q408)	B-3
D402	F-7	Q450	E-5
(D501)	G-2	Q451	E-6
(D601)	I-3	Q452	E-5
(D602)	J-3	Q453	E-5
(D603)	J-3	Q470	D-3
(D604)	I-3	(Q501)	F-2
(D605)	J-3	Q551	H-3
(D606)	I-2	Q552	H-3
D607	I-3	Q601	I-5
D620	I-9	Q602	J-5
D621	I-9	Q620	I-10
D622	H-9	Q621	F-11
D623	H-9	Q622	G-10
D624	H-9	Q623	F-11
D625	F-10	Q642	F-11
D626	G-10	Q907	E-8
(D907)	H-6		
D909	D-8		

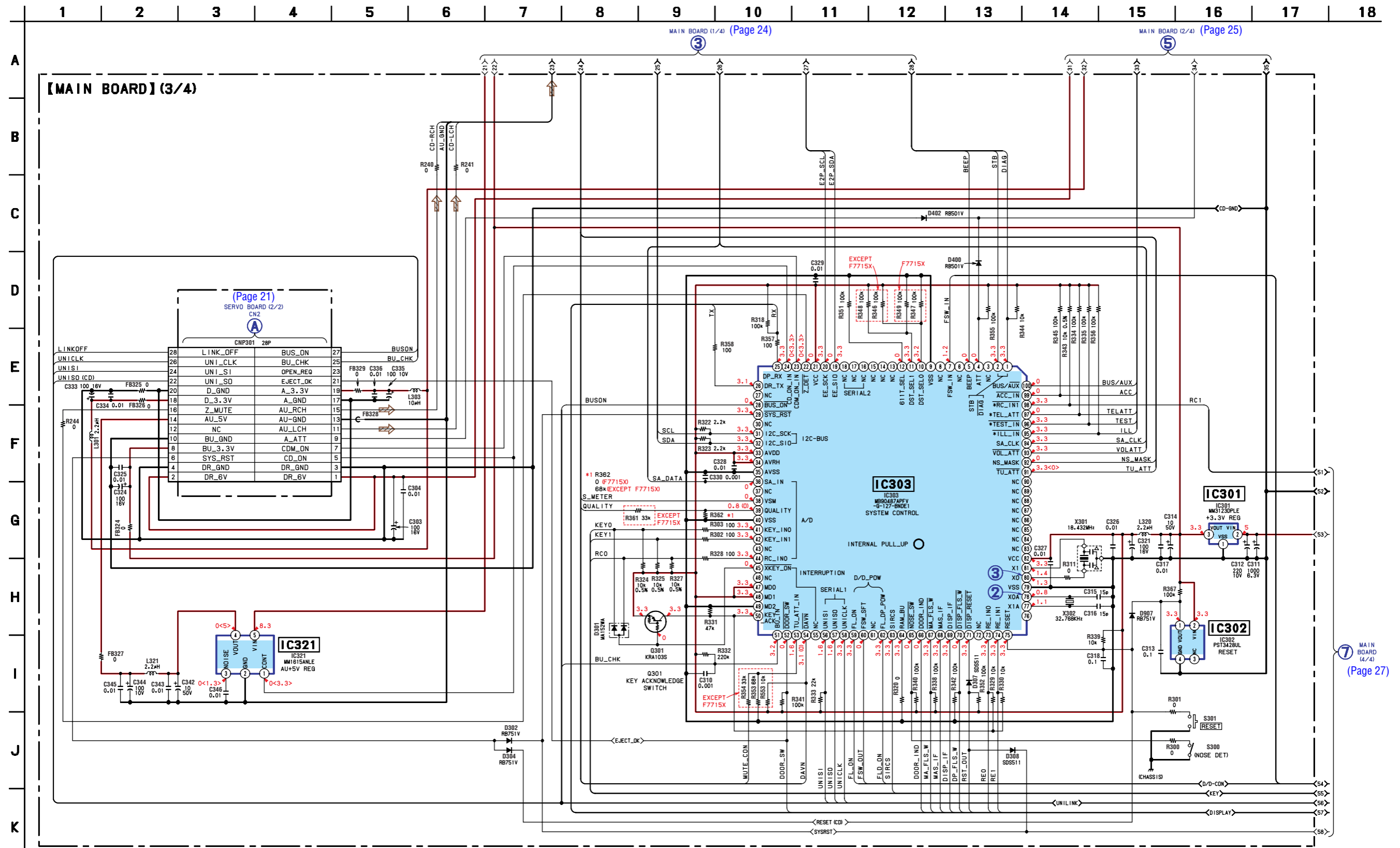


A
B
C
D
E
F
G
H
I
J

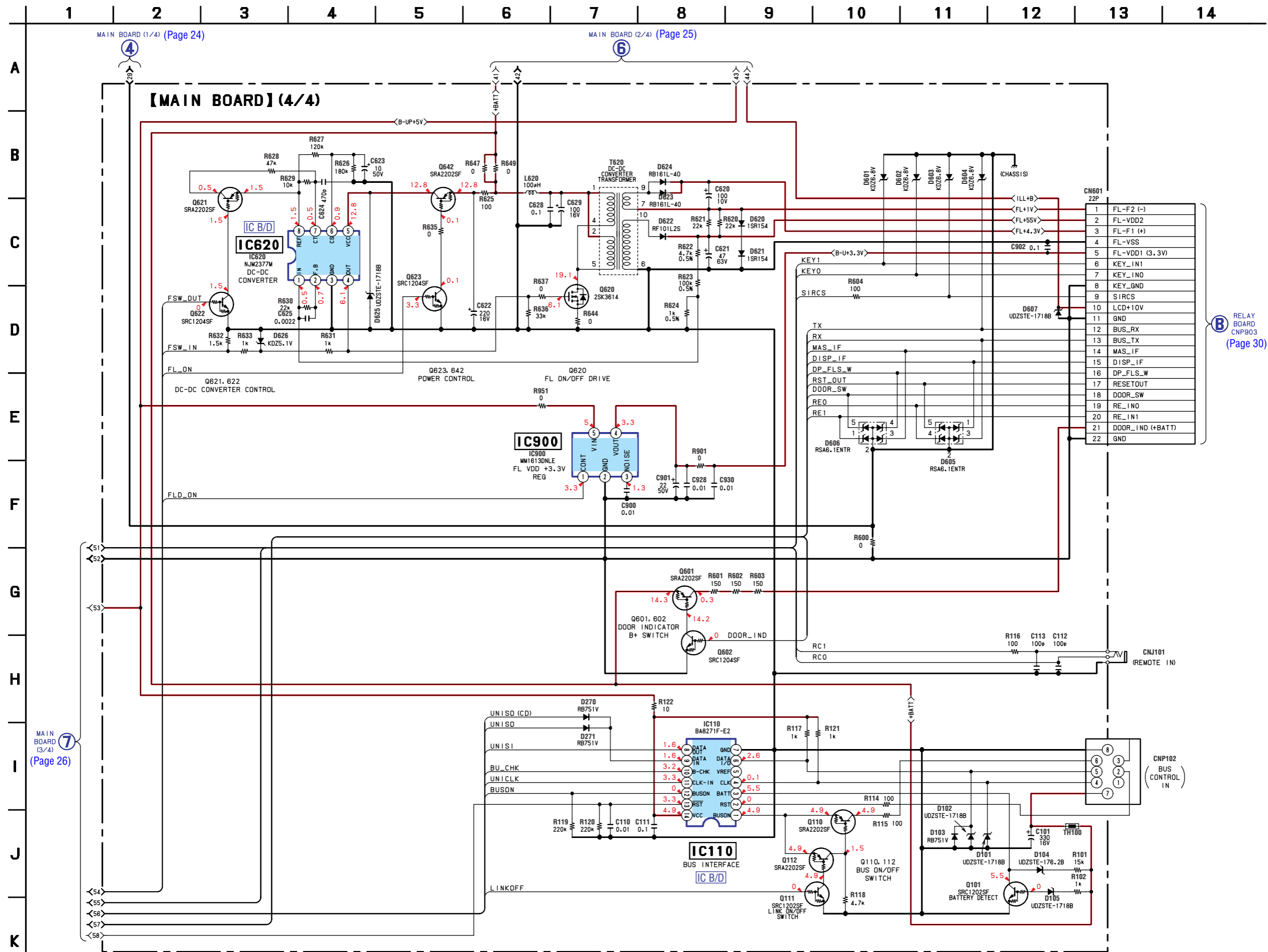
11
1-865-260-
(11)



3-11. SCHEMATIC DIAGRAM — MAIN SECTION (3/4) — Refer to page 18 for Waveforms. Refer to page 38 for IC Pin Description.




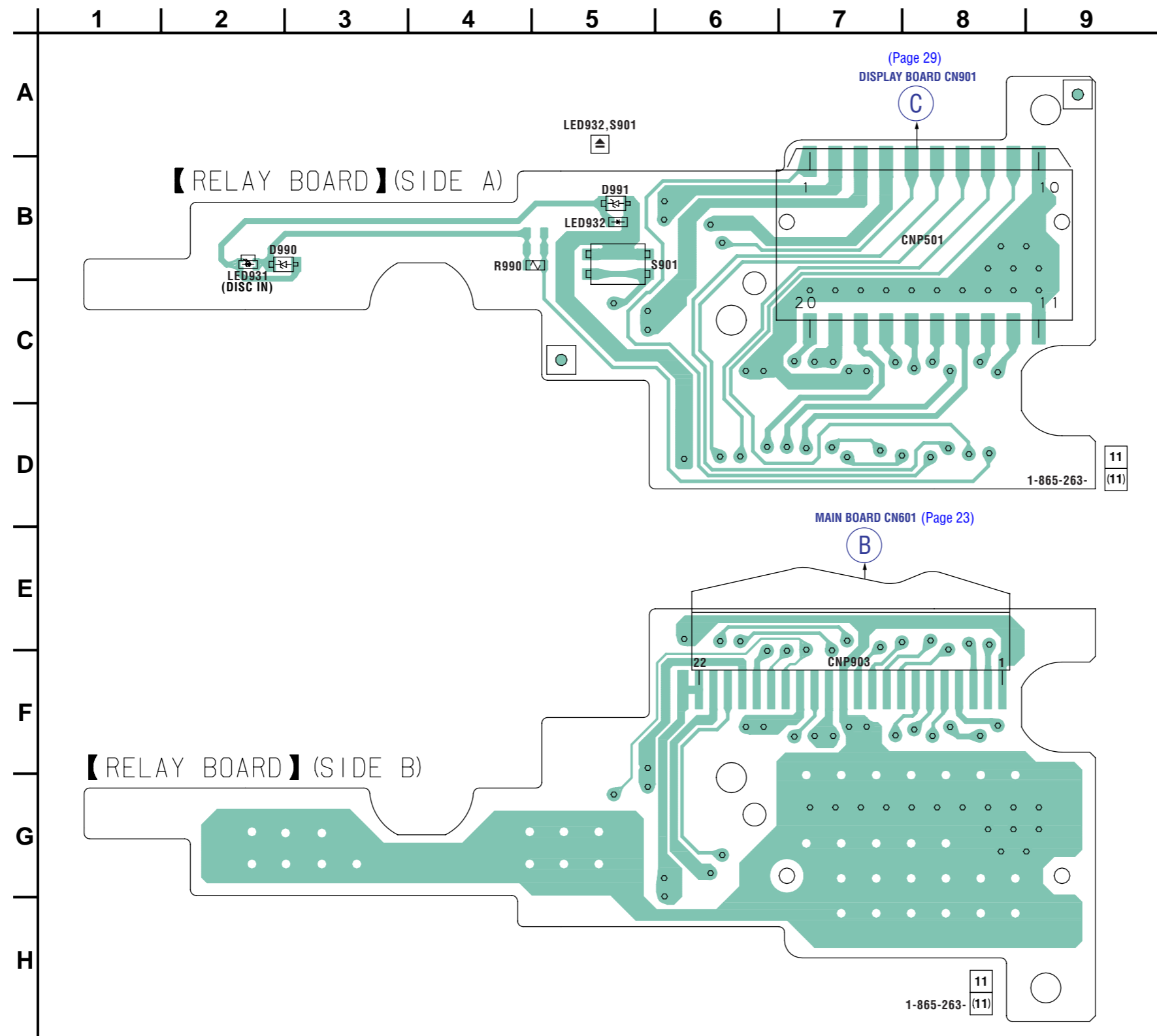
3-12. SCHEMATIC DIAGRAM — MAIN SECTION (4/4) — • Refer to page 33 for IC Block Diagrams.



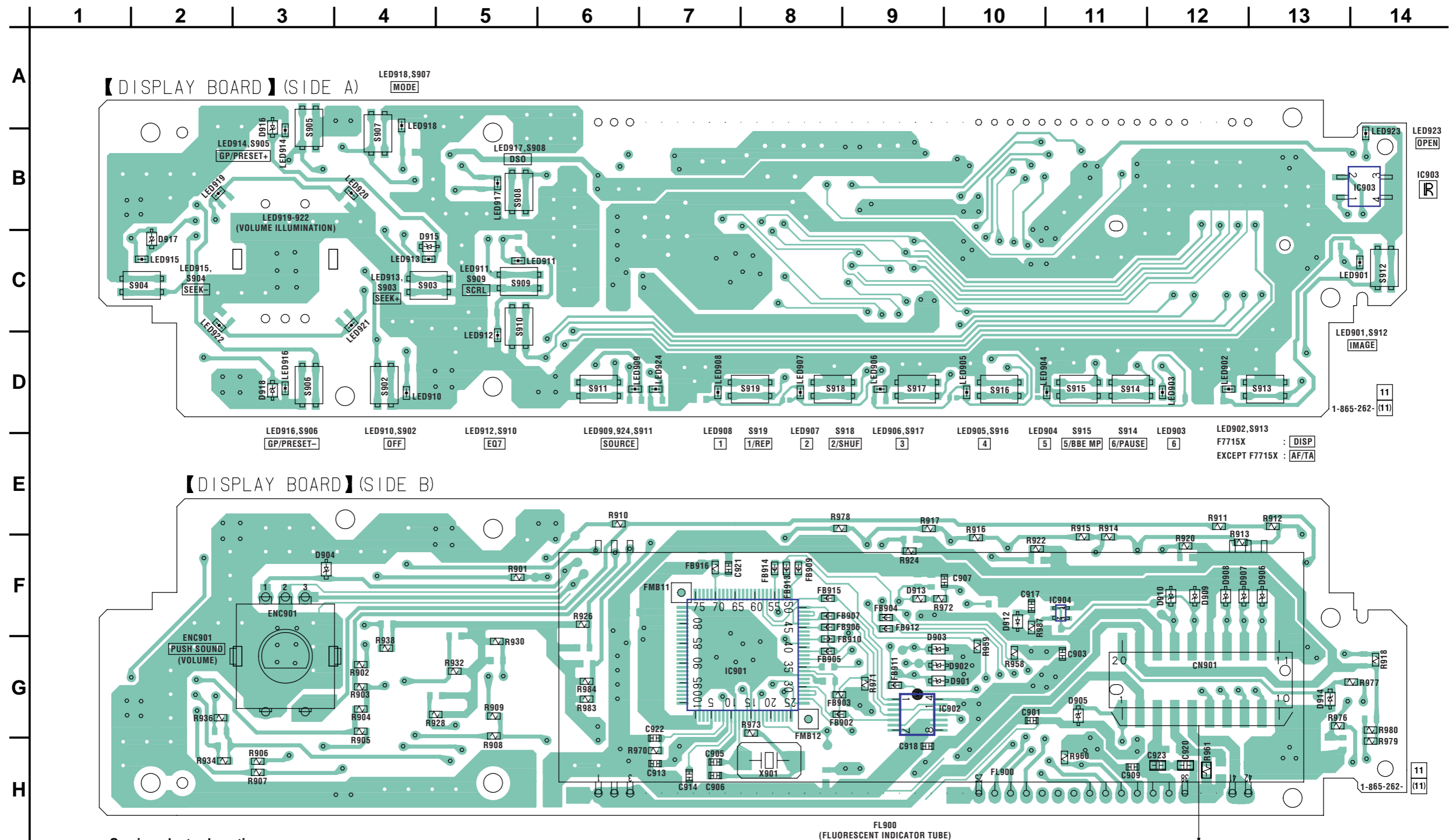
MAIN BOARD (3/4) (Page 26)

RELAY BOARD CNP903 (Page 30)

3-13. PRINTED WIRING BOARD — RELAY SECTION — • Refer to page 18 for Circuit Boards Location.  : Uses unleaded solder.



3-14. PRINTED WIRING BOARD — DISPLAY SECTION — • Refer to page 18 for Circuit Boards Location. **LF** : Uses unleaded solder.

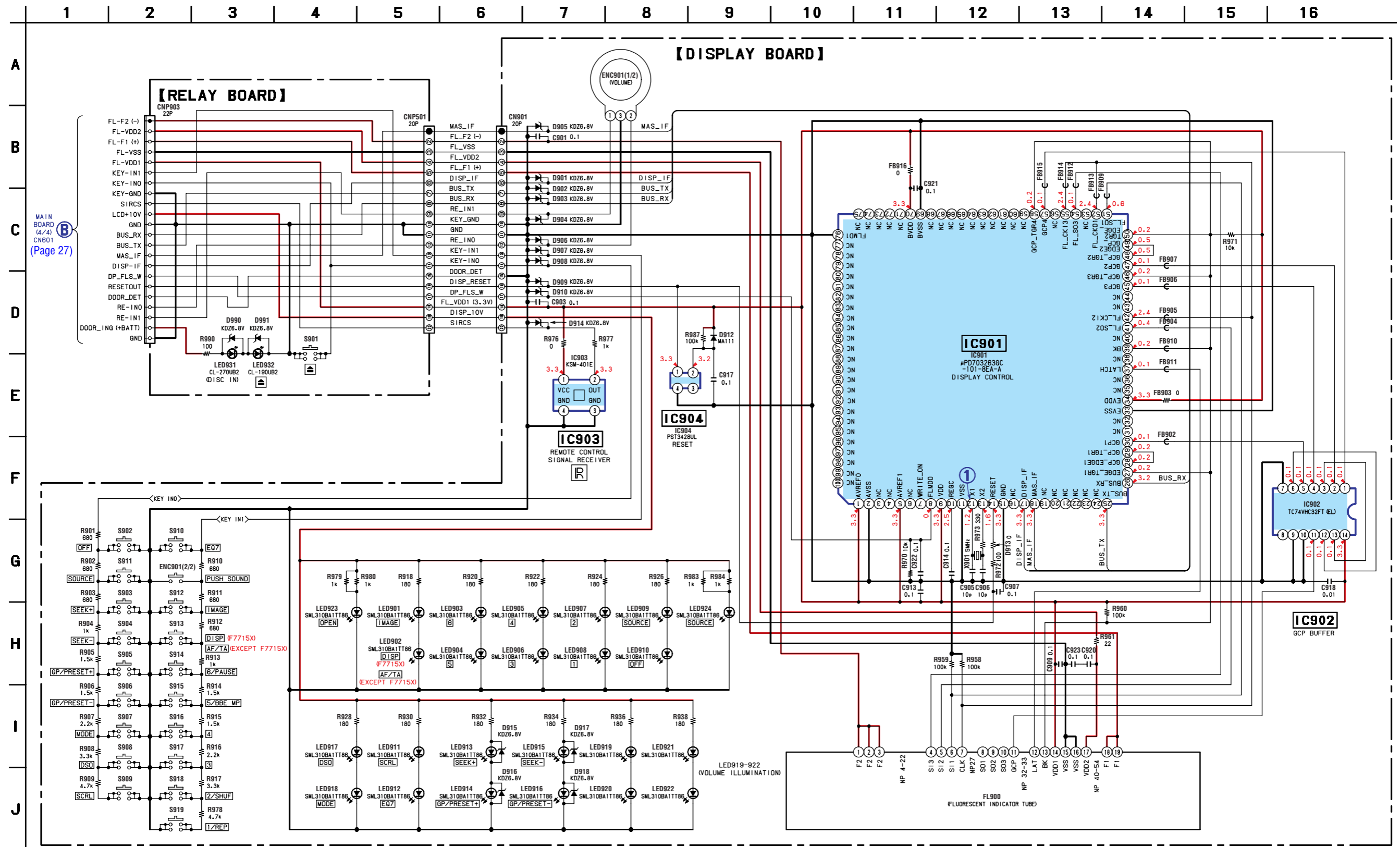


• Semiconductor Location

Ref. No.	Location	Ref. No.	Location	Ref. No.	Location	Ref. No.	Location	Ref. No.	Location
D901	G-10	D912	F-10	IC904	F-11	LED909	D-6	LED919	B-2
D902	G-10	D914	G-13	LED901	C-14	LED910	D-4	LED920	B-4
D903	G-9	D915	C-3	LED902	D-12	LED911	C-5	LED921	C-4
D904	F-3	D916	A-3	LED903	D-12	LED912	D-5	LED922	C-2
D905	G-11	D917	C-2	LED904	D-10	LED913	C-4	LED923	B-14
D906	F-13	D918	D-3	LED905	D-10	LED914	B-3	LED924	D-7
D907	F-12			LED906	D-9	LED915	C-2		
D908	F-12	IC901	G-7	LED907	D-8	LED916	D-3		
D909	F-12	IC902	G-9	LED908	D-7	LED917	B-5		
D910	F-12	IC903	B-14			LED918	A-4		

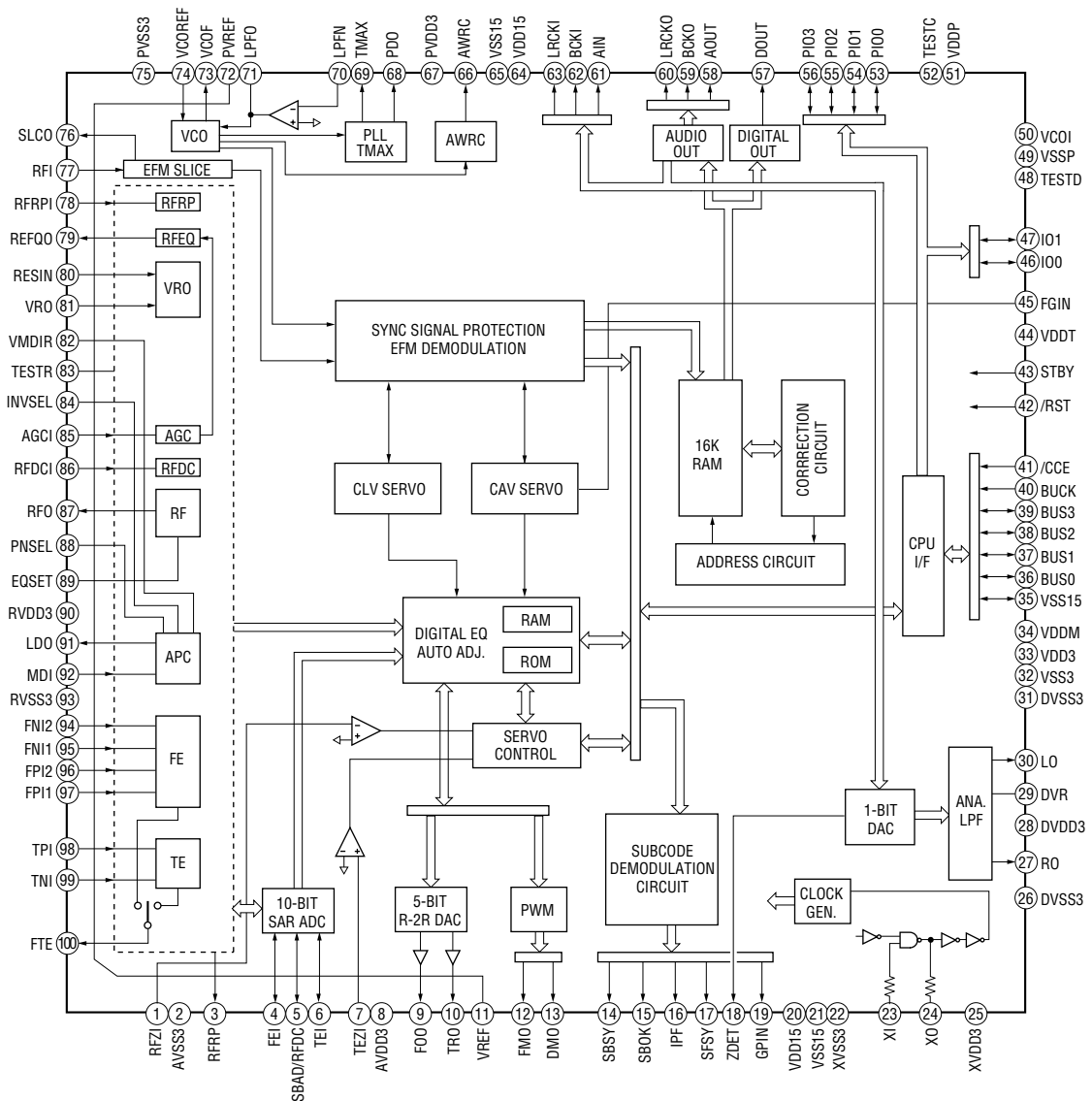
C
 RELAY BOARD CNP501
 (Page 28)

3-15. SCHEMATIC DIAGRAM — DISPLAY SECTION — • Refer to page 18 for Waveform.

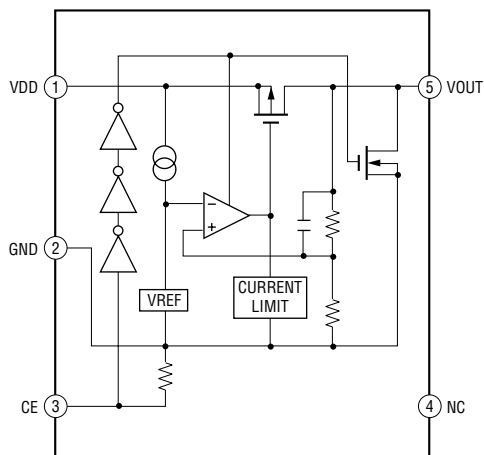


• IC BLOCK DIAGRAMS

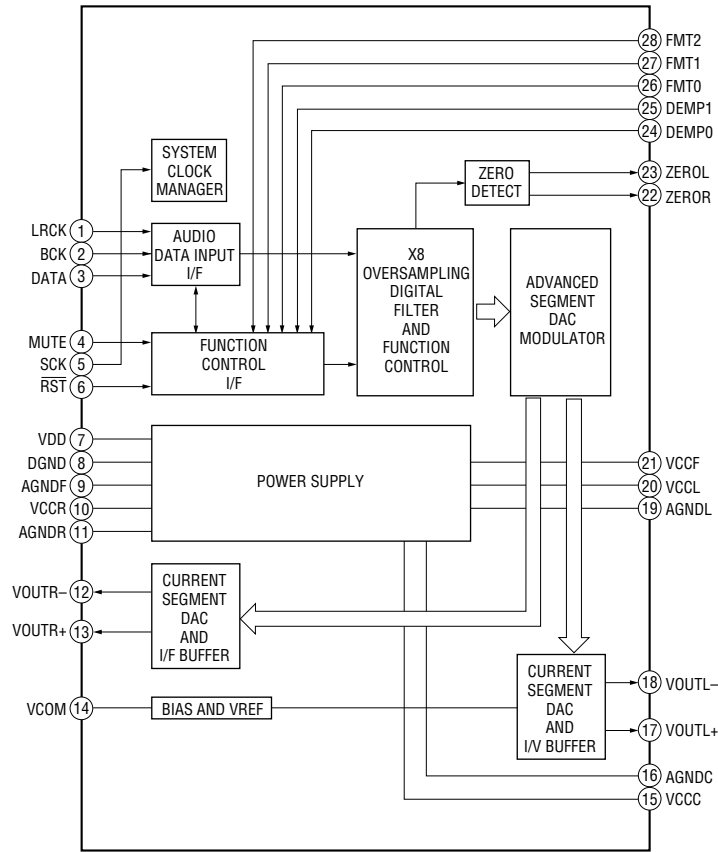
IC2 TC94A60MFG-301 (SERVO Board (1/2))



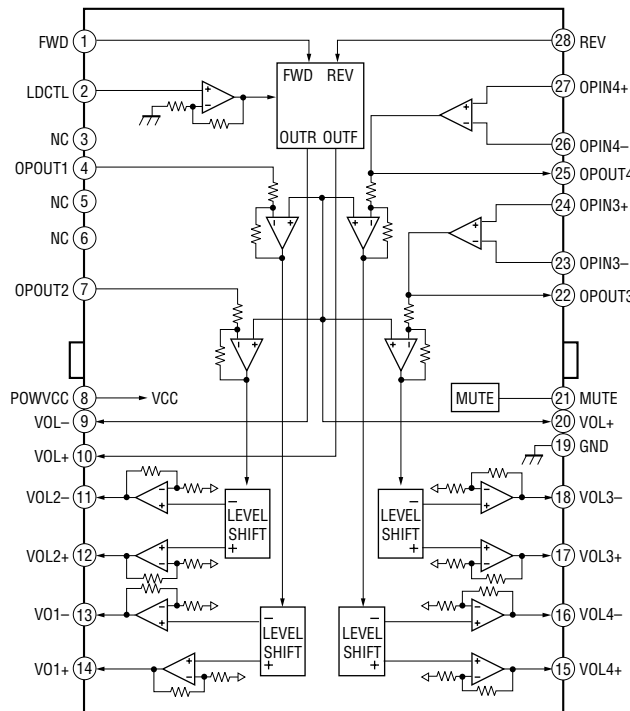
IC6 R114N151D-TR-FA (SERVO Board (1/2))



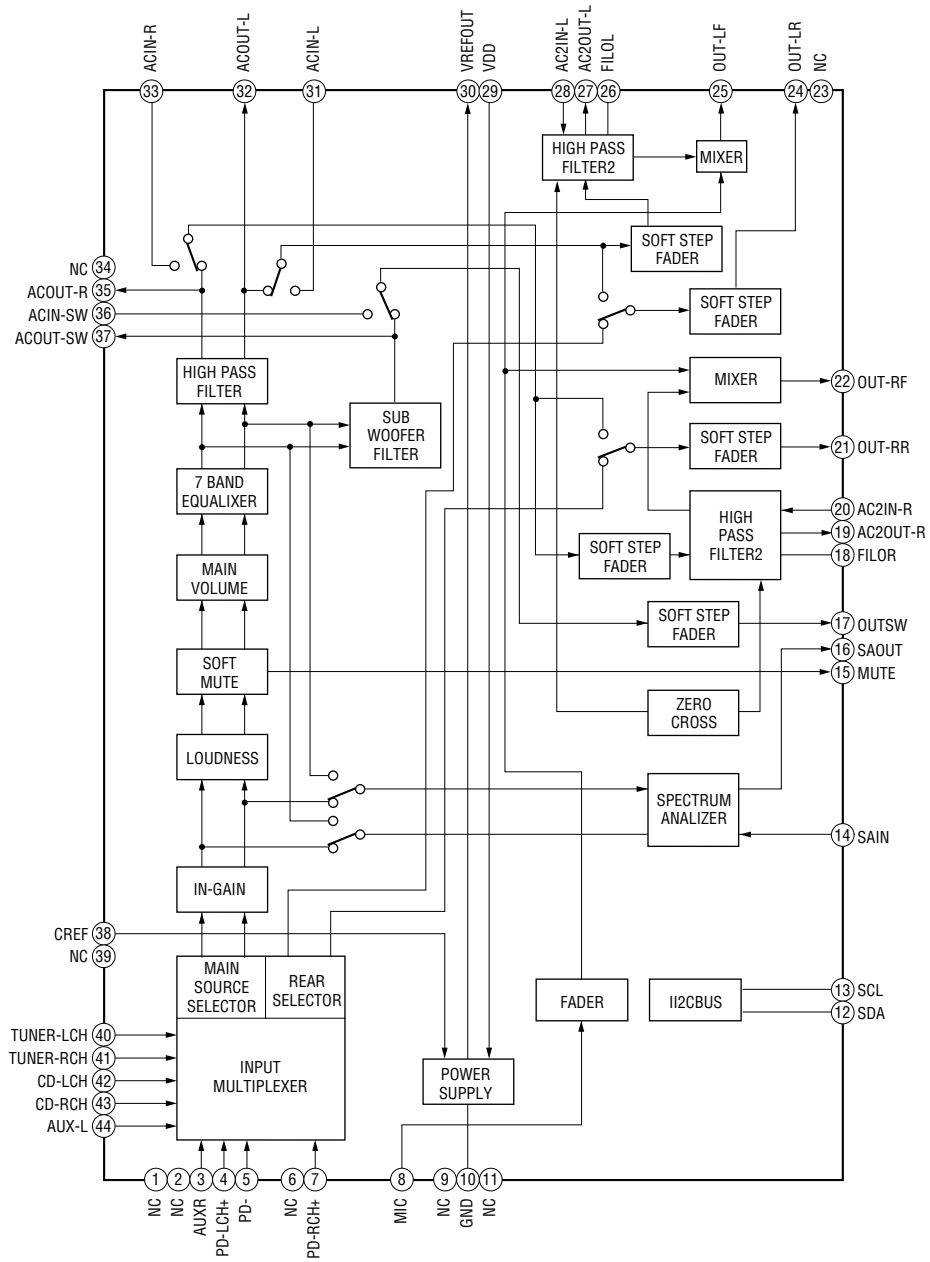
IC5 PCM1793DBR (SERVO Board (1/2))



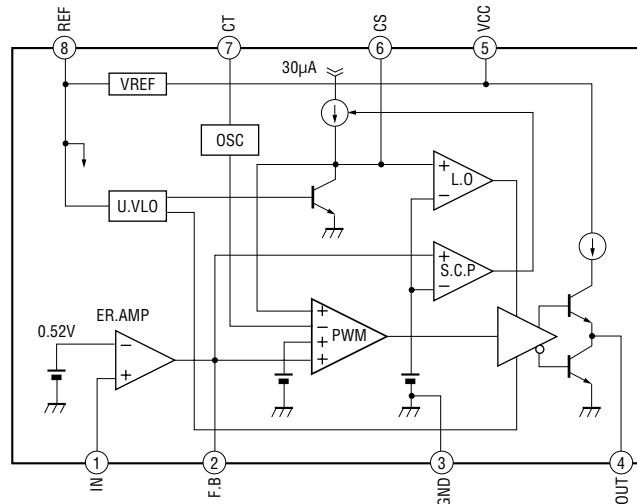
IC1 BA5968FP-E2 (SERVO Board (2/2))



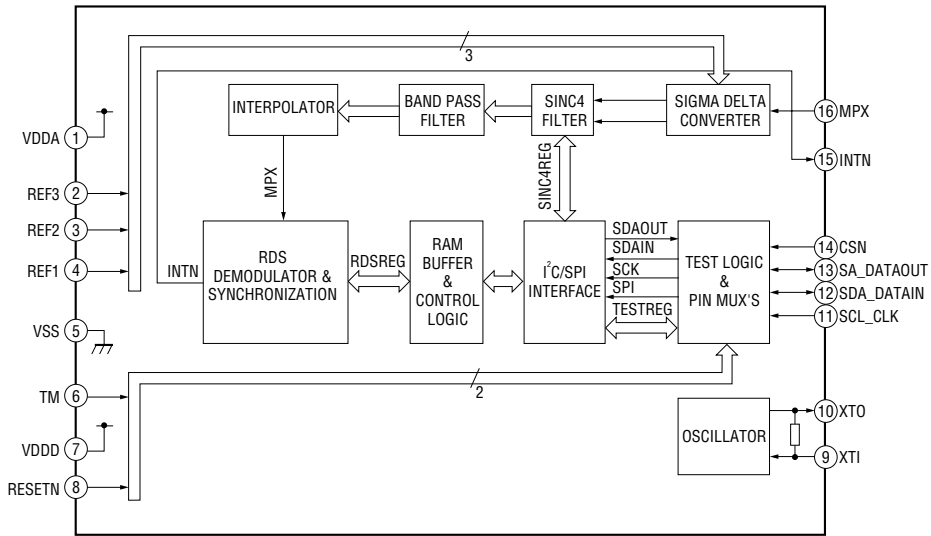
IC401 TDA7416 (MAIN Board (1/4))



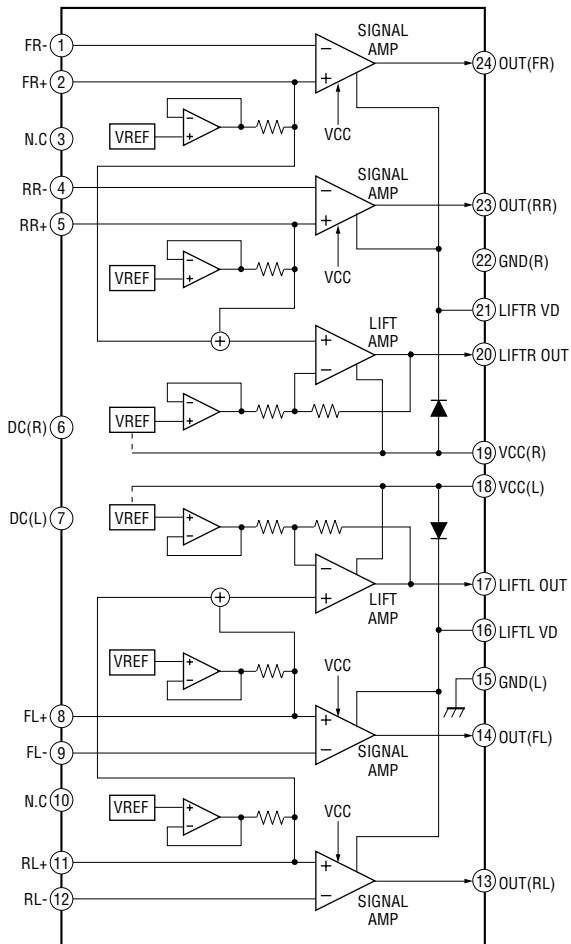
IC620 NJM2377M (TE2) (MAIN Board (4/4))



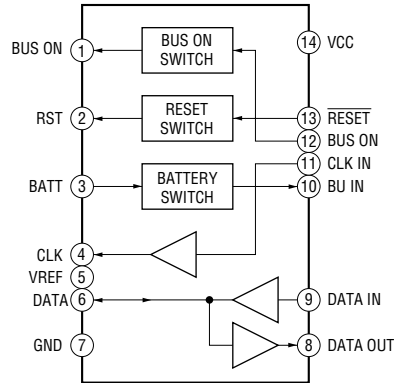
IC550 TDA7333013TR (MAIN Board (1/4))



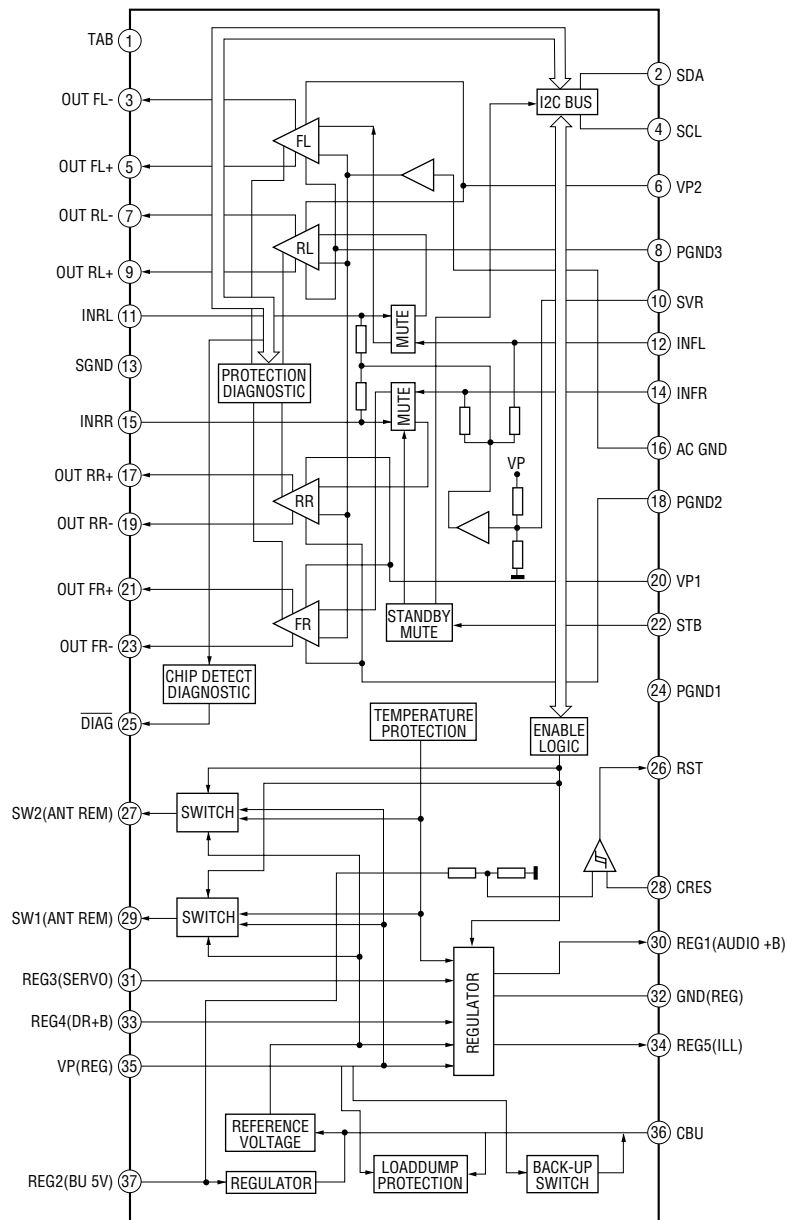
IC402 LA2901V-TL (MAIN Board (1/4))



IC110 BA8271F-E2 (MAIN Board (4/4))



IC201 TDA8588AJ/N2/R1 (MAIN Board (2/4))



CDX-F7710/F7710S/F7715X/F7750/F7750S

• IC PIN DESCRIPTIONS

• IC3 MB90487APFV-G-131-BNDE1 (CD SYSTEM CONTROL) (SERVO BOARD (2/2))

Pin No.	Pin Name	I/O	Pin Description
1	NC	O	Servo 1.5 V power supply control signal output
2 to 6	NC	—	Not used. (Open)
7	CD BUS0	I/O	Bus data signal input/output 0
8	CD BUS1	I/O	Bus data signal input/output 1
9	VSS	—	Ground pin
10	CD BUS2	I/O	Bus data signal input/output 2
11	CD BUS3	I/O	Bus data signal input/output 3
12	CD BUCK	O	Bus clock signal output
13	CD XCCE	O	Chip enable signal output
14	CD XRST	O	Reset signal output
15	CD ZDET	I	Zero detection signal input
16 to 20	NC	—	Not used. (Open)
21	VCC	—	Power supply pin (+3.3 V)
22	DAC ZDETL	I	Zero data detection signal input (L-ch)
23	DAC ZDETR	I	Zero data detection signal input (R-ch)
24	NC	—	Not used. (Open)
25	RXD	I	UART RXD data signal input (MCBUS/Flash data input)
26	TXD	O	UART TXD data signal output (MCBUS/Flash data output)
27	DEC SSTBY	O	SRAM STANDBY mode control signal output
28, 29	NC	—	Not used. (Open)
30	DEC INT	I	Request signal input
31, 32	NC	—	Not used. (Open)
33	AVCC	—	Power supply pin (+3.3 V) for A/D converter
34	AVRH	—	External reference voltage for A/D converter
35	AVSS	—	Ground pin
36	NC	—	Not used. (Open)
37	DEC XMUTE	O	Mute signal output L: mute
38, 39	NC	—	Not used. (Open)
40	VSS	—	Ground pin
41	NC	—	Not used. (Open)
42	MEC LIMIT	I	Sled limit in detection switch signal input
43	MEC LOAD	O	Loading motor signal output (Load direction)
44	MEC EJECT	O	Loading motor signal output (Eject direction)
45	MEC INSW	I	Pack-in detection signal input
46	MEC DSW	I	Chucking end detection switch signal input
47, 48	MD0, MD1	I	CPU operation mode designation signal input (Connect to Vcc.)
49	MD2	I	CPU operation mode designation signal input (Connect to Vss.)
50	BUS ON	I	Bus on signal input L: bus on
51	BU IN	I	Backup on/off signal input H: backup on, L: backup off
52	CD SBSY	I	SUBQ sync signal input L: interruption
53	MEC SELFSW	I	Disc insert detection switch signal input L: disc in interruption
54, 55	NC	—	Not used. (Open)
56	UNISI	I	Serial data signal input
57	UNISO	O	Serial data signal output
58	UNICKI	I	Serial clock signal input
59	LINEOFF	O	Line off signal output
60	A ATT	O	Audio attenuation signal output H: ATT on
61	EJECT OK	I	Front panel open signal input H: eject
62	OPEN REQ	O	Front panel open/close request signal output H: open request
63	MECON	O	Mechanism deck power supply control signal output
64	CDON	O	Servo power supply control signal output

Pin No.	Pin Name	I/O	Pin Description
65	XUART	I	Sony-Bus/MC-Bus change signal input H: Sony-Bus, L: MC-Bus
66	ZMUTE	O	Zero detection mute signal output
67	MECON CHK	I	MECON rising detection signal input
68	CDON CHK	I	CDON rising detection signal input
69 to 74	NC	—	Not used. (Open)
75	$\overline{\text{RSTX}}$	I	System reset signal input
76	NC	—	Not used. (Open)
77	X1A	—	Sub-clock connect pin Not used in this set. (Open)
78	X0A	—	Sub-clock connect pin Not used in this set. (Connect to Vss.)
79	VSS	—	Ground pin
80	X0	I	Main-clock connect pin (12 MHz)
81	X1	O	Main-clock connect pin (12 MHz)
82	VCC	—	Power supply pin (+3.3 V)
83	XTS	I	Not used in this set. (Open)
84	XINIT3	I	Not used in this set. (Open)
85	NC	—	Not used. (Open)
86	XSJIG	I	Not used in this set. (Open)
87 to 89	XINIT0 to 2	I	Not used in this set. (Open)
90 to 97	NC	—	Not used. (Open)
98	XLINE	I	Not used in this set. (Open)
99, 100	NC	—	Not used. (Open)

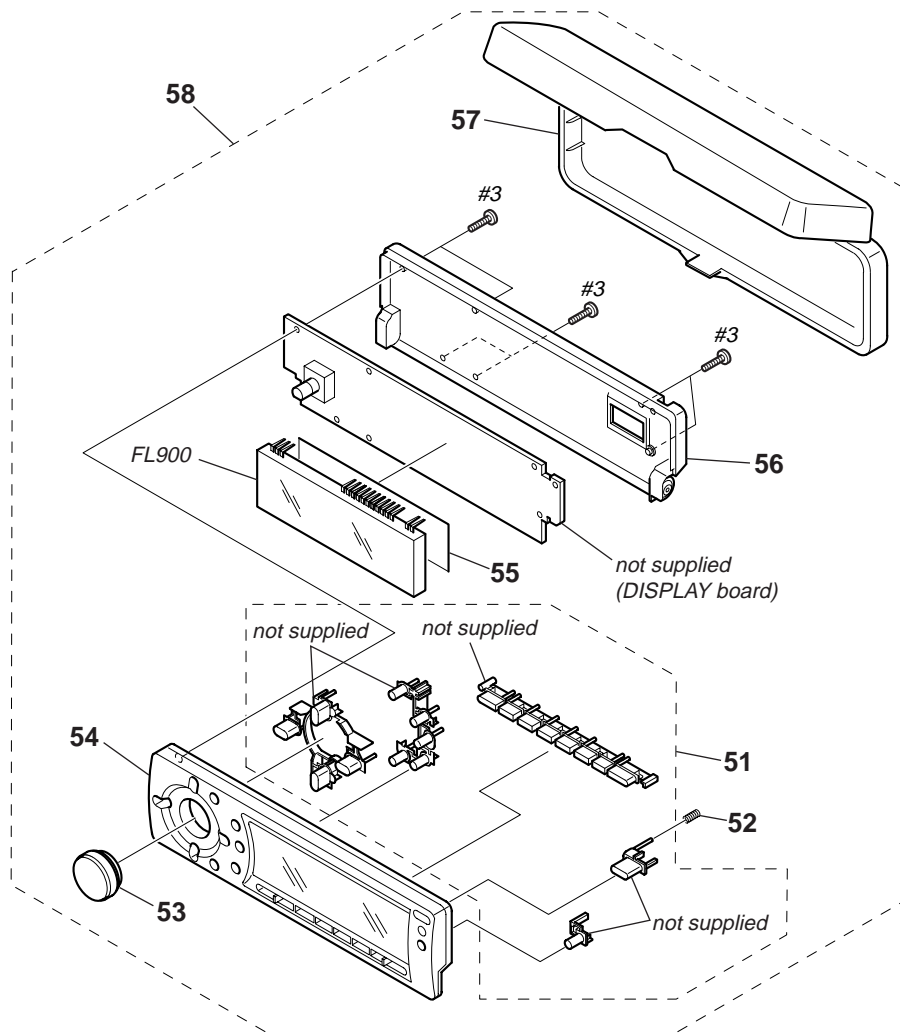
CDX-F7710/F7710S/F7715X/F7750/F7750S

• IC303 MB90487APFV-G-127-BNDE1 (SYSTEM CONTROL) (MAIN BOARD (3/4))

Pin No.	Pin Name	I/O	Pin Description
1	DIAG	I	Power amplifier self diagnostic test functions signal input
2	STB	O	Power amplifier standby signal output
3	NC	—	Not used. (Open)
4	ATT	O	LINE mute control signal output
5	BEEP	O	Power amplifier beep signal output
6	NC	—	Not used. (Open)
7	FSW IN	I	FL switch signal input
8	NC	—	Not used. (Open)
9	VSS	—	Ground pin
10	DST SEL0	I	Distination select signal input 0
11	DST SEL1	I	Distination select signal input 1
12	611 SEL	I	611 CD mechanism type select signal input
13 to 18	NC	—	Not used. (Open)
19	EE SIO	I/O	EEPROM serial data signal input/output
20	EE SCK	O	EEPROM serial clock signal output
21	VCC	—	Power supply pin (+3.3 V)
22	Z DET	I	611TA/TS CD mechanism type zero mute detect signal input
23	CDM ON IN	I	611TA/TS CD mechanism on/off signal input
24	CD ON IN	I	611TA/TS CD mechanism type CD on/off signal input
25	DP RX	I	Display microcomputer interface signal input
26	DP TR	O	Display microcomputer interface signal output
27	NC	—	Not used. (Open)
28	BUS ON	O	Bus on/off signal output
29	SYS RST	O	Bus system reset signal output
30	NC	—	Not used. (Open)
31	I2C SCK	O	I2C bus serial clock signal output
32	I2C SIO	I/O	I2C bus serial data signal input/output
33	AVDD	—	Power supply pin for A/D converter (+3.3 V)
34	AVRH	—	External reference power supply pin for A/D converter
35	AVSS	—	Ground pin for A/D converter
36	SA IN	I	Spectrum analyzer data signal input
37	NC	—	Not used. (Open)
38	VSM	I	S meter signal input
39	QUALITY	I	Tuner noise detect signal input (RDS model only)
40	VSS	—	Ground pin
41, 42	KEY IN0, 1	I	Key signal input
43	NC	—	Not used. (Open)
44	RC IN0	I	Rotary commander signal input
45	XKEY ON	O	Key power supply control signal output Pin ⑩ (KEY ACK) active: "L" output
46	NC	—	Not used. (Open)
47, 48	MD0, 1	I	Input for operation mode designation Fixed at "H".
49	MD2	I	Input for operation mode designation Fixed at "L".
50	KEY ACK	I	Key acknowledge detect signal input
51	BU IN	I	Backup power supply detect signal input
52	DOOR SW	I	Door switch signal input
53	TU ATT IN	I	Tuner attenuate zero detect signal input
54	DAVN	I	RDS block data detect signal input
55	NC	—	Not used. (Open)
56	UNISI	I	Bus serial data signal input
57	UNISO	O	Bus serial data signal output
58	UNICLK	O	Bus serial clock signal output
59	FL ON	O	DC/DC converter power on signal output

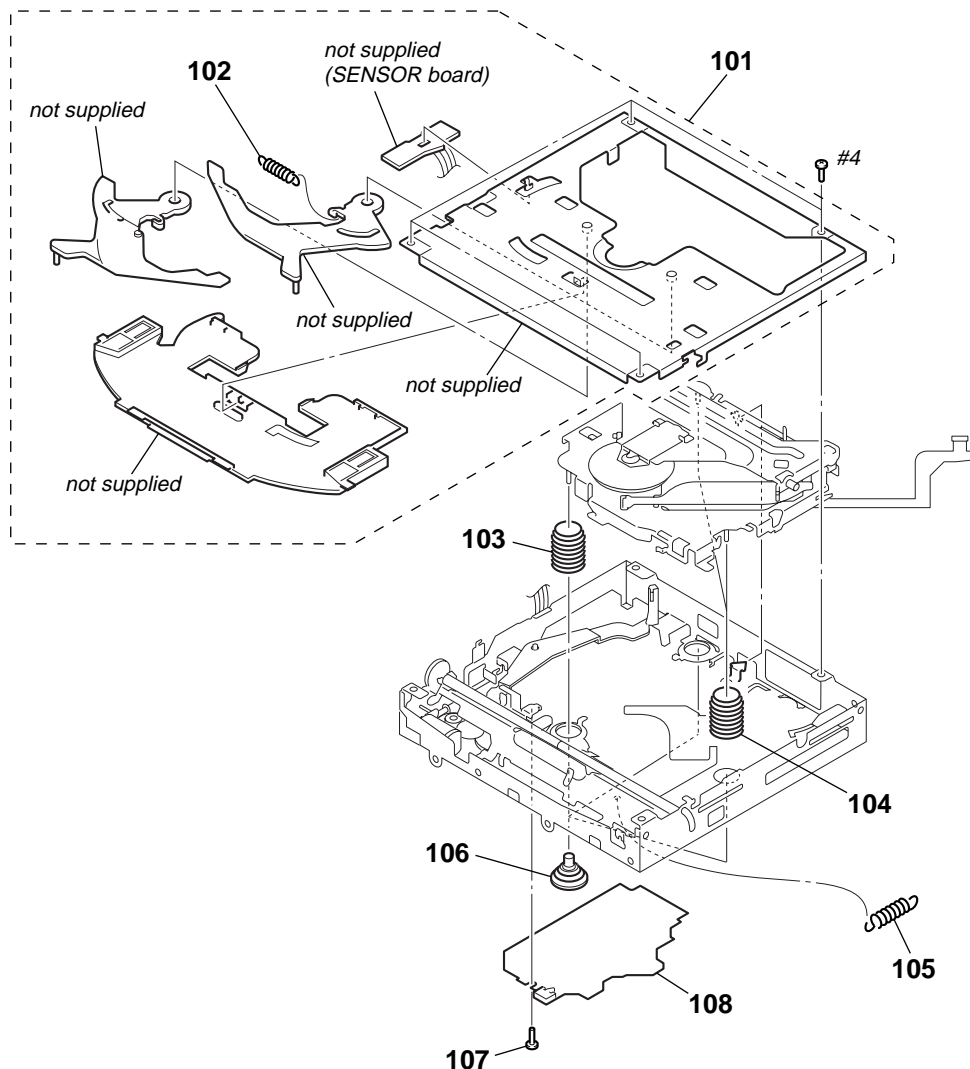
Pin No.	Pin Name	I/O	Pin Description
60	FSW SFT	O	DC/DC converter frequency change signal output
61	NC	—	Not used. (Open)
62	FL DP POW	O	Power supply control signal output of FL driver IC and display microcomputer
63	SIRCS	I	Remote control signal (infrared rays) input
64	RAM BU	I	RAM backup signal input
65	$\overline{\text{NOSE SW}}$	I	Nose switch signal input
66	DOOR IND	O	Door indicator signal output
67	$\overline{\text{MA FLS W}}$	I	Memory mode changeover signal input Normally “H” input (Single chip mode), “L” after reset: Flash wright mode
68	MAS IF	O	Master microcomputer interface signal output
69	DISP IF	I	Display microcomputer interface signal input
70	$\overline{\text{DISP FLS W}}$	I	Display flash wright mode signal input
71	$\overline{\text{DISP RESET}}$	O	Display microcomputer reset signal output
72	NC	—	Not used. (Open)
73, 74	RE IN0, 1	I	Rotary encoder signal input
75	RESET	I	Reset signal input
76	NC	—	Not used. (Open)
77	X1A	—	32 kHz oscillator connect pin (32.768 kHz)
78	X0A	—	32 kHz oscillator connect pin (32.768 kHz)
79	VSS	—	Ground pin
80	X0	—	18 MHz oscillator connect pin (18.432 MHz)
81	X1	—	18 MHz oscillator connect pin (18.432 MHz)
82	VCC	—	Power supply pin (+3.3 V)
83 to 90	NC	—	Not used. (Open)
91	$\overline{\text{TU ATT}}$	O	Tuner mute control signal output
92	NS MASK	O	Noise mask signal output
93	$\overline{\text{VOL ATT}}$	O	Electronic volume attenuate control signal output
94	SA CLK	O	Spectrum analyzer clock signal output
95	$\overline{\text{ILL IN}}$	I	Illumination on/off signal input
96	$\overline{\text{TEST IN}}$	I	Test mode detect signal input
97	TEL ATT	I	Telephone attenuate signal input
98	$\overline{\text{RC IN1}}$	I	Rotary commander shift key signal input
99	$\overline{\text{ACC IN}}$	I	Accessory power supply detect signal input
100	$\overline{\text{BUS/AUX}}$	O	BUS/AUX input select signal output “H”: BUS in, “L”: AUX in

4-2. FRONT PANEL SECTION



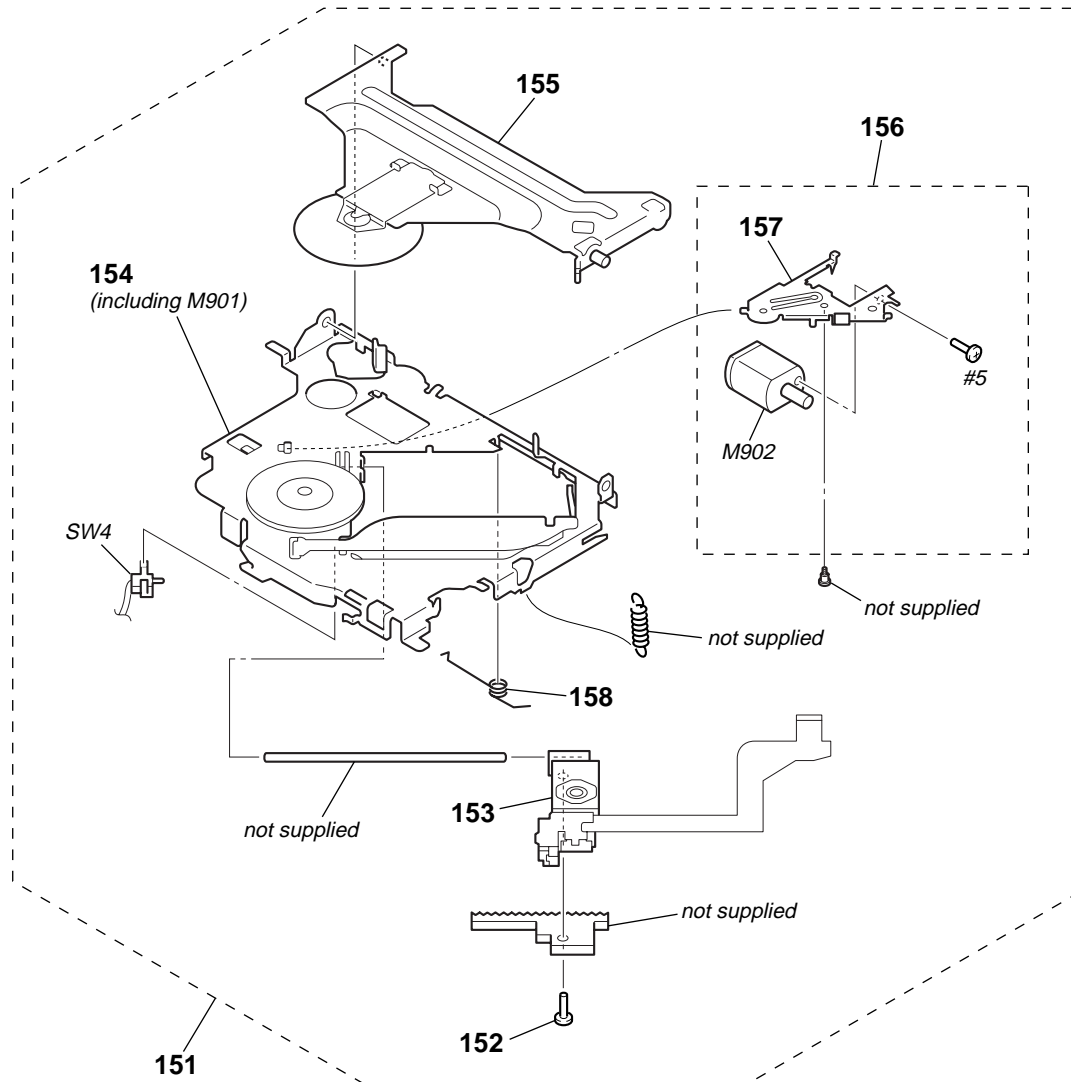
Ref. No.	Part No.	Description	Remark	Ref. No.	Part No.	Description	Remark
51	X-2024-931-1	BUTTON KIT ASSY (S) (F7715X)		55	3-260-341-03	SHEET (FL)	
51	X-2024-932-1	BUTTON KIT ASSY (S) (F7710/F7750)		56	X-3384-495-3	PANEL ASSY, FRONT BACK	
51	X-3384-508-2	BUTTON KIT ASSY (S) (F7710S/F7750S)		57	X-3385-170-1	CASE ASSY (for FRONT PANEL)	
52	3-032-321-01	SPRING (OPEN)		58	A-1087-287-A	PANEL COMPLETE ASSY, FRONT (F7715X)	
53	X-2050-762-1	KNOB ASSY (S) (F7710/F7715X/F7750)		58	A-1087-288-A	PANEL COMPLETE ASSY, FRONT (F7710)	
53	X-3384-635-1	KNOB ASSY (S) (F7710S/F7750S)		58	A-1087-289-A	PANEL COMPLETE ASSY, FRONT (F7710S)	
54	X-2024-936-1	PANEL (S) ASSY, FRONT (F7715X)		58	A-1087-290-A	PANEL COMPLETE ASSY, FRONT (F7750S)	
54	X-2024-937-1	PANEL (S) ASSY, FRONT (F7710)		58	A-1087-291-A	PANEL COMPLETE ASSY, FRONT (F7750)	
54	X-2024-938-1	PANEL (S) ASSY, FRONT (F7710S)		FL900	1-518-953-21	INDICATOR TUBE, FLUORESCENT	
54	X-2024-939-1	PANEL (S) ASSY, FRONT (F7750S)		#3	7-685-105-19	SCREW +P 2X8 TYPE2 NON-SLIT	
54	X-2024-940-1	PANEL (S) ASSY, FRONT (F7750)					

4-3. CD MECHANISM SECTION (1)
(MG-611TS-186//K)



Ref. No.	Part No.	Description	Remark	Ref. No.	Part No.	Description	Remark
101	A-3372-455-A	CHASSIS (T) SUB ASSY (F7750)		106	3-253-748-01	DAMPER (S)	
102	3-253-729-01	SPRING (LTR), TENSION COIL		107	3-352-758-31	SCREW (M1.7), TOOTHED LOCK	
103	3-253-746-14	SPRING (DAMPER), COMPRESSION		108	A-1075-811-A	SERVO BOARD, COMPLETE	
104	3-253-746-03	SPRING (DAMPER), COMPRESSION		#4	7-627-552-87	SCREW, PRECISION +P 1.7X2.2	
105	2-345-767-01	SPRING (KF60), TENSION					

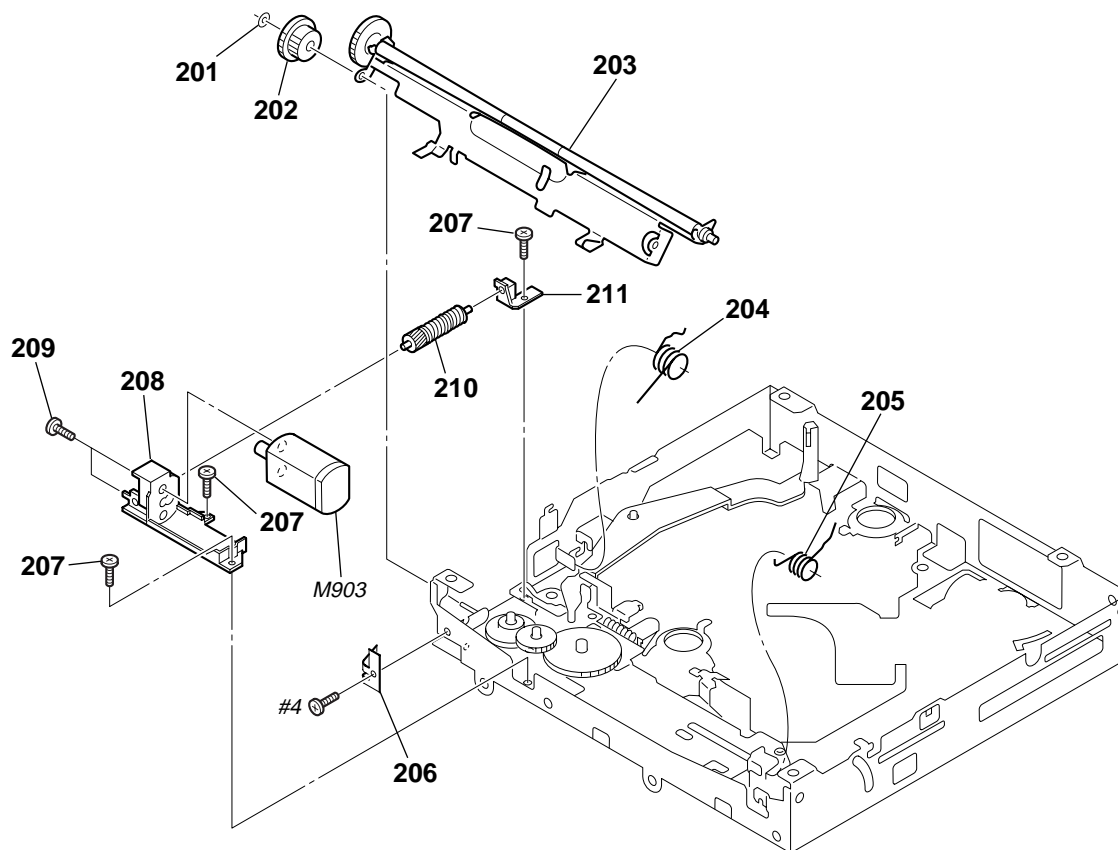
4-4. CD MECHANISM SECTION (2)
(MG-611TS-186//K)



<p>The components identified by mark Δ or dotted line with mark Δ are critical for safety. Replace only with part number specified.</p>	<p>Les composants identifiés par une marque Δ sont critiques pour la sécurité. Ne les remplacer que par une pièce portant le numéro spécifié.</p>
---	---

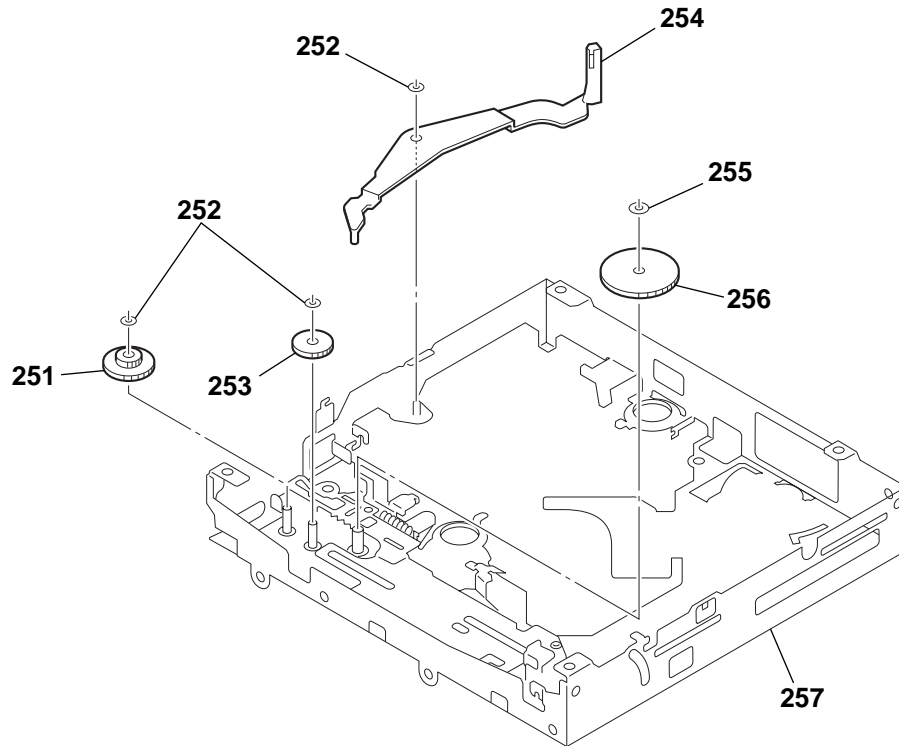
Ref. No.	Part No.	Description	Remark	Ref. No.	Part No.	Description	Remark
151	A-1075-786-A	CHASSIS (OP) COMPLETE ASSY		157	X-3383-454-3	LEVER (SL) ASSY	
152	3-316-938-91	SCREW (B1.4X5), TAPPING		158	3-261-959-02	SPRING (SL), TORSION	
Δ 153	8-820-207-12	OPTICAL PICK-UP (KSS1000E/K1RP)		M902	A-3337-638-A	MOTOR ASSY, SL (SLED)	
154	A-1075-787-A	CHASSIS (OP) SUB ASSY (including M901)		SW4	1-571-099-11	SWITCH (1 KEY) (LIMIT)	
155	A-3337-641-A	ARM SUB ASSY, CHUCKING		#5	7-627-850-77	SCREW, PRECISION +P 1.4X1.8	
156	A-3337-639-A	LEVER (SL) SUB ASSY					

4-5. CD MECHANISM SECTION (3)
(MG-611TS-186//K)



Ref. No.	Part No.	Description	Remark	Ref. No.	Part No.	Description	Remark
201	3-262-755-01	WASHER (1.1-2.5)		208	2-186-696-11	BRACKET (LEM-N)	
202	2-186-699-11	GEAR (RA1)		209	3-345-648-91	SCREW (M1.4), TOOTHED LOCK	
203	A-1075-789-A	ARM ASSY, ROLLER		210	A-1083-637-A	GEAR (LE) ASSY	
204	3-259-455-02	SPRING (RAL)		211	2-186-697-11	BEARING (LEB-N)	
205	3-253-713-01	SPRING (RAR)		M903	A-1075-792-A	MOTOR ASSY, LE (LOADING)	
206	3-259-469-01	SPRING (LE), LEAF		#4	7-627-552-87	SCREW, PRECISION +P 1.7X2.2	
207	2-134-636-31	SCREW (M1.7X2.5)					

4-6. CD MECHANISM SECTION (4)
(MG-611TS-186//K)



Ref. No.	Part No.	Description	Remark	Ref. No.	Part No.	Description	Remark
251	2-186-700-11	GEAR (CHK1)		255	3-899-829-01	WASHER (SLIT)	
252	3-344-223-01	WASHER		256	3-259-032-01	GEAR (LE2)	
253	3-259-470-01	GEAR (LE1)		257	A-1075-791-A	CHASSIS (M) BLOCK ASSY	
254	3-253-755-02	LEVER (D)					

SECTION 5
ELECTRICAL PARTS LIST

DISPLAY

NOTE:

- Due to standardization, replacements in the parts list may be different from the parts specified in the diagrams or the components used on the set.
- -XX and -X mean standardized parts, so they may have some difference from the original one.
- RESISTORS
All resistors are in ohms.
METAL: Metal-film resistor.
METAL OXIDE: Metal oxide-film resistor.
F: nonflammable

- Items marked “**” are not stocked since they are seldom required for routine service. Some delay should be anticipated when ordering these items.
- SEMICONDUCTORS
In each case, u : μ , for example:
uA.. : μ A.. uPA.. : μ PA..
uPB.. : μ PB.. uPC.. : μ PC.. uPD.. : μ PD..
- CAPACITORS
uF : μ F
- COILS
uH : μ H

The components identified by mark Δ or dotted line with mark Δ are critical for safety. Replace only with part number specified.

Les composants identifiés par une marque Δ sont critiques pour la sécurité. Ne les remplacer que par une pièce portant le numéro spécifié.

When indicating parts by reference number, please include the board.

Ref. No.	Part No.	Description	Remark	Ref. No.	Part No.	Description	Remark
		DISPLAY BOARD *****				< ROTARY ENCODER >	
	3-260-341-03	SHEET (FL)		ENC901	1-478-474-11	ENCODER, ROTARY (PUSH SOUND VOLUME)	
		< CAPACITOR >				< FERRITE BEAD >	
C901	1-107-826-11	CERAMIC CHIP	0.1uF 10% 16V	FB902	1-414-760-21	INDUCTOR, FERRITE BEAD	
C903	1-107-826-11	CERAMIC CHIP	0.1uF 10% 16V	FB903	1-216-864-11	SHORT CHIP 0	
C905	1-162-915-11	CERAMIC CHIP	10PF 0.5PF 50V	FB904	1-414-760-21	INDUCTOR, FERRITE BEAD	
C906	1-162-915-11	CERAMIC CHIP	10PF 0.5PF 50V	FB905	1-414-760-21	INDUCTOR, FERRITE BEAD	
C907	1-107-826-11	CERAMIC CHIP	0.1uF 10% 16V	FB906	1-414-760-21	INDUCTOR, FERRITE BEAD	
C909	1-107-826-11	CERAMIC CHIP	0.1uF 10% 16V	FB907	1-414-760-21	INDUCTOR, FERRITE BEAD	
C913	1-107-826-11	CERAMIC CHIP	0.1uF 10% 16V	FB909	1-414-760-21	INDUCTOR, FERRITE BEAD	
C914	1-107-826-11	CERAMIC CHIP	0.1uF 10% 16V	FB910	1-414-760-21	INDUCTOR, FERRITE BEAD	
C917	1-107-826-11	CERAMIC CHIP	0.1uF 10% 16V	FB911	1-414-760-21	INDUCTOR, FERRITE BEAD	
C918	1-162-970-11	CERAMIC CHIP	0.01uF 10% 25V	FB912	1-414-760-21	INDUCTOR, FERRITE BEAD	
C920	1-165-319-11	CERAMIC CHIP	0.1uF 50V	FB913	1-414-760-21	INDUCTOR, FERRITE BEAD	
C921	1-107-826-11	CERAMIC CHIP	0.1uF 10% 16V	FB914	1-414-760-21	INDUCTOR, FERRITE BEAD	
C922	1-107-826-11	CERAMIC CHIP	0.1uF 10% 16V	FB915	1-414-760-21	INDUCTOR, FERRITE BEAD	
C923	1-165-319-11	CERAMIC CHIP	0.1uF 50V	FB916	1-216-864-11	SHORT CHIP 0	
		< CONNECTOR >				< FLUORESCENT INDICATOR >	
CN901	1-818-141-11	PLUG, CONNECTOR 20P		FL900	1-518-953-21	INDICATOR TUBE, FLUORESCENT	
		< DIODE >				< IC >	
D901	8-719-977-12	DIODE DTZ6.8B		IC901	6-805-091-01	IC uPD703263GC-101-8EA-A	
D902	8-719-977-12	DIODE DTZ6.8B		IC902	8-759-523-94	IC TC74VHC32FT(EL)	
D903	8-719-977-12	DIODE DTZ6.8B		IC903	6-600-384-01	IC KSM-401E (IR)	
D904	8-719-977-12	DIODE DTZ6.8B		IC904	8-759-659-13	IC PST3428UL	
D905	8-719-977-12	DIODE DTZ6.8B				< DIODE >	
D906	8-719-977-12	DIODE DTZ6.8B		LED901	6-500-476-01	LED SML310BA1TT86 (IMAGE)	
D907	8-719-977-12	DIODE DTZ6.8B		LED902	6-500-476-01	LED SML310BA1TT86 (DISP) (F7715X)	
D908	8-719-977-12	DIODE DTZ6.8B		LED902	6-500-476-01	LED SML310BA1TT86 (AF/TA)	(EXCEPT F7715X)
D909	8-719-977-12	DIODE DTZ6.8B		LED903	6-500-476-01	LED SML310BA1TT86 (6)	
D910	8-719-977-12	DIODE DTZ6.8B		LED904	6-500-476-01	LED SML310BA1TT86 (5)	
D912	8-719-404-50	DIODE MA111-TX		LED905	6-500-476-01	LED SML310BA1TT86 (4)	
D913	1-216-864-11	SHORT CHIP 0		LED906	6-500-476-01	LED SML310BA1TT86 (3)	
D914	8-719-977-12	DIODE DTZ6.8B		LED907	6-500-476-01	LED SML310BA1TT86 (2)	
D915	8-719-977-12	DIODE DTZ6.8B		LED908	6-500-476-01	LED SML310BA1TT86 (1)	
D916	8-719-977-12	DIODE DTZ6.8B		LED909	6-500-476-01	LED SML310BA1TT86 (SOURCE)	
D917	8-719-977-12	DIODE DTZ6.8B		LED910	6-500-476-01	LED SML310BA1TT86 (OFF)	
D918	8-719-977-12	DIODE DTZ6.8B		LED911	6-500-476-01	LED SML310BA1TT86 (SCRL)	
				LED912	6-500-476-01	LED SML310BA1TT86 (EQ7)	
				LED913	6-500-476-01	LED SML310BA1TT86 (SEEK +)	

Ref. No.	Part No.	Description	Remark	Ref. No.	Part No.	Description	Remark
LED914	6-500-476-01	LED SML310BA1TT86 (GP/PRESET +)		R983	1-216-821-11	METAL CHIP 1K 5%	1/10W
LED915	6-500-476-01	LED SML310BA1TT86 (SEEK -)		R984	1-216-821-11	METAL CHIP 1K 5%	1/10W
LED916	6-500-476-01	LED SML310BA1TT86 (GP/PRESET -)		R987	1-216-845-11	METAL CHIP 100K 5%	1/10W
LED917	6-500-476-01	LED SML310BA1TT86 (DSO)					
LED918	6-500-476-01	LED SML310BA1TT86 (MODE)				< SWITCH >	
LED919	6-500-476-01	LED SML310BA1TT86 (VOLUME ILLUMINATION)		S902	1-786-763-11	SWITCH, TACTILE (OFF)	
LED920	6-500-476-01	LED SML310BA1TT86 (VOLUME ILLUMINATION)		S903	1-786-763-11	SWITCH, TACTILE (SEEK +)	
LED921	6-500-476-01	LED SML310BA1TT86 (VOLUME ILLUMINATION)		S904	1-786-763-11	SWITCH, TACTILE (SEEK -)	
LED922	6-500-476-01	LED SML310BA1TT86 (VOLUME ILLUMINATION)		S905	1-786-763-11	SWITCH, TACTILE (GP/PRESET +)	
LED923	6-500-476-01	LED SML310BA1TT86 (OPEN)		S906	1-786-763-11	SWITCH, TACTILE (GP/PRESET -)	
LED924	6-500-476-01	LED SML310BA1TT86 (SOURCE)		S907	1-786-763-11	SWITCH, TACTILE (MODE)	
		< RESISTOR >		S908	1-786-763-11	SWITCH, TACTILE (DSO)	
R901	1-219-286-11	RES-CHIP 680 2%	1/16W	S909	1-786-763-11	SWITCH, TACTILE (SCRL)	
R902	1-219-286-11	RES-CHIP 680 2%	1/16W	S910	1-786-763-11	SWITCH, TACTILE (EQ7)	
R903	1-219-286-11	RES-CHIP 680 2%	1/16W	S911	1-786-763-11	SWITCH, TACTILE (SOURCE)	
R904	1-218-847-11	METAL CHIP 1K 0.5%	1/10W	S912	1-786-763-11	SWITCH, TACTILE (IMAGE)	
R905	1-218-851-11	METAL CHIP 1.5K 0.5%	1/10W	S913	1-786-763-11	SWITCH, TACTILE (DISP) (F7715X)	
R906	1-218-851-11	METAL CHIP 1.5K 0.5%	1/10W	S913	1-786-763-11	SWITCH, TACTILE (AF/TA) (EXCEPT F7715X)	
R907	1-218-855-11	METAL CHIP 2.2K 0.5%	1/10W	S914	1-786-763-11	SWITCH, TACTILE (6/PAUSE)	
R908	1-218-859-11	METAL CHIP 3.3K 0.5%	1/10W	S915	1-786-763-11	SWITCH, TACTILE (5/BBE MP)	
R909	1-218-863-11	METAL CHIP 4.7K 0.5%	1/10W	S916	1-786-763-11	SWITCH, TACTILE (4)	
R910	1-219-286-11	RES-CHIP 680 2%	1/16W	S917	1-786-763-11	SWITCH, TACTILE (3)	
R911	1-219-286-11	RES-CHIP 680 2%	1/16W	S918	1-786-763-11	SWITCH, TACTILE (2/SHUF)	
R912	1-219-286-11	RES-CHIP 680 2%	1/16W	S919	1-786-763-11	SWITCH, TACTILE (1/REP)	
R913	1-218-847-11	METAL CHIP 1K 0.5%	1/10W			< VIBRATOR >	
R914	1-218-851-11	METAL CHIP 1.5K 0.5%	1/10W	X901	1-813-487-21	VIBRATOR, CRYSTAL (5MHz)	
R915	1-218-851-11	METAL CHIP 1.5K 0.5%	1/10W			*****	
R916	1-218-855-11	METAL CHIP 2.2K 0.5%	1/10W	A-1087-268-A	MAIN BOARD, COMPLETE (including SPEAKER BOARD) (F7715X)		
R917	1-218-859-11	METAL CHIP 3.3K 0.5%	1/10W	A-1087-269-A	MAIN BOARD, COMPLETE (including SPEAKER BOARD) (EXCEPT F7715X)		
R918	1-216-812-11	METAL CHIP 180 5%	1/10W			*****	
R920	1-216-812-11	METAL CHIP 180 5%	1/10W	7-621-284-40	SCREW +P 2.6X10		
R922	1-216-812-11	METAL CHIP 180 5%	1/10W	7-685-134-19	SCREW +P 2.6X8 TYPE2 NON-SLIT		
R924	1-216-812-11	METAL CHIP 180 5%	1/10W	7-685-793-09	SCREW +PTT 2.6X8 (S)		
R926	1-216-812-11	METAL CHIP 180 5%	1/10W	7-685-795-09	SCREW +PTT 2.6X12 (S)		
R928	1-216-812-11	METAL CHIP 180 5%	1/10W			< CAPACITOR >	
R930	1-216-812-11	METAL CHIP 180 5%	1/10W	C101	1-126-940-11	ELECT 330uF 20%	25V
R932	1-216-812-11	METAL CHIP 180 5%	1/10W	C102	1-126-960-11	ELECT 1uF 20%	50V
R934	1-216-812-11	METAL CHIP 180 5%	1/10W	C103	1-112-302-11	ELECT 3300uF	16V
R936	1-216-812-11	METAL CHIP 180 5%	1/10W	C106	1-115-340-11	CERAMIC CHIP 0.22uF 10%	25V
R938	1-216-812-11	METAL CHIP 180 5%	1/10W	C110	1-162-970-11	CERAMIC CHIP 0.01uF 10%	25V
R958	1-216-845-11	METAL CHIP 100K 5%	1/10W	C111	1-107-826-11	CERAMIC CHIP 0.1uF 10%	16V
R959	1-216-845-11	METAL CHIP 100K 5%	1/10W	C112	1-162-927-11	CERAMIC CHIP 100PF 5%	50V
R960	1-216-845-11	METAL CHIP 100K 5%	1/10W	C113	1-162-927-11	CERAMIC CHIP 100PF 5%	50V
R961	1-216-009-11	RES-CHIP 22 5%	1/10W	C119	1-115-340-11	CERAMIC CHIP 0.22uF 10%	25V
R970	1-216-833-11	METAL CHIP 10K 5%	1/10W	C142	1-162-927-11	CERAMIC CHIP 100PF 5%	50V
R971	1-216-833-11	METAL CHIP 10K 5%	1/10W	C172	1-124-717-85	ELECT 1uF 20%	50V
R972	1-216-809-11	METAL CHIP 100 5%	1/10W	C173	1-124-721-85	ELECT 10uF 20%	50V
R973	1-216-815-11	METAL CHIP 330 5%	1/10W	C178	1-162-927-11	CERAMIC CHIP 100PF 5%	50V
R976	1-216-864-11	SHORT CHIP 0		C182	1-124-717-85	ELECT 1uF 20%	50V
R977	1-216-821-11	METAL CHIP 1K 5%	1/10W	C183	1-124-721-85	ELECT 10uF 20%	50V
R978	1-218-863-11	METAL CHIP 4.7K 0.5%	1/10W	C188	1-162-927-11	CERAMIC CHIP 100PF 5%	50V
R979	1-216-821-11	METAL CHIP 1K 5%	1/10W	C199	1-162-964-11	CERAMIC CHIP 0.001uF 10%	50V
R980	1-216-821-11	METAL CHIP 1K 5%	1/10W	C200	1-115-340-11	CERAMIC CHIP 0.22uF 10%	25V

CDX-F7710/F7710S/F7715X/F7750/F7750S

MAIN

Ref. No.	Part No.	Description	Remark	Ref. No.	Part No.	Description	Remark
C201	1-115-467-11	CERAMIC CHIP	0.22uF 10% 10V	C346	1-162-970-11	CERAMIC CHIP	0.01uF 10% 25V
C202	1-162-923-11	CERAMIC CHIP	47PF 5% 50V	C400	1-124-721-85	ELECT	10uF 20% 50V
C203	1-126-961-11	ELECT	2.2uF 20% 50V	C401	1-126-947-11	ELECT	47uF 20% 35V
C204	1-124-695-85	ELECT	22uF 20% 25V	C416	1-124-717-85	ELECT	1uF 20% 50V
C205	1-115-340-11	CERAMIC CHIP	0.22uF 10% 25V	C417	1-125-837-11	CERAMIC CHIP	1uF 10% 6.3V
C206	1-107-823-11	CERAMIC CHIP	0.47uF 10% 16V	C418	1-124-721-85	ELECT	10uF 20% 50V
C207	1-107-823-11	CERAMIC CHIP	0.47uF 10% 16V	C419	1-126-959-11	ELECT	0.47uF 20% 50V
C208	1-162-927-11	CERAMIC CHIP	100PF 5% 50V	C420	1-126-959-11	ELECT	0.47uF 20% 50V
C209	1-162-927-11	CERAMIC CHIP	100PF 5% 50V	C421	1-124-717-85	ELECT	1uF 20% 50V
C210	1-115-340-11	CERAMIC CHIP	0.22uF 10% 25V	C422	1-124-673-85	ELECT	100uF 20% 10V
C211	1-165-908-11	CERAMIC CHIP	1uF 10% 10V	C423	1-162-970-11	CERAMIC CHIP	0.01uF 10% 25V
C212	1-126-964-11	ELECT	10uF 20% 50V	C424	1-162-965-11	CERAMIC CHIP	0.0015uF 10% 50V
C214	1-126-964-11	ELECT	10uF 20% 50V	C425	1-136-154-00	FILM	0.012uF 5% 50V
C215	1-115-340-11	CERAMIC CHIP	0.22uF 10% 25V	C426	1-162-927-11	CERAMIC CHIP	100PF 5% 50V
C216	1-162-927-11	CERAMIC CHIP	100PF 5% 50V	C427	1-162-927-11	CERAMIC CHIP	100PF 5% 50V
C217	1-162-927-11	CERAMIC CHIP	100PF 5% 50V	C428	1-162-927-11	CERAMIC CHIP	100PF 5% 50V
C218	1-107-823-11	CERAMIC CHIP	0.47uF 10% 16V	C429	1-162-927-11	CERAMIC CHIP	100PF 5% 50V
C219	1-107-823-11	CERAMIC CHIP	0.47uF 10% 16V	C430	1-162-965-11	CERAMIC CHIP	0.0015uF 10% 50V
C221	1-126-933-11	ELECT	100uF 20% 16V	C431	1-162-927-11	CERAMIC CHIP	100PF 5% 50V
C223	1-126-964-11	ELECT	10uF 20% 50V	C432	1-136-154-00	FILM	0.012uF 5% 50V
C225	1-165-908-11	CERAMIC CHIP	1uF 10% 10V	C433	1-126-960-11	ELECT	1uF 20% 50V
C226	1-126-934-11	ELECT	220uF 20% 16V	C434	1-126-960-11	ELECT	1uF 20% 50V
C242	1-162-927-11	CERAMIC CHIP	100PF 5% 50V	C435	1-126-960-11	ELECT	1uF 20% 50V
C272	1-124-717-85	ELECT	1uF 20% 50V	C436	1-162-970-11	CERAMIC CHIP	0.01uF 10% 25V
C273	1-124-721-85	ELECT	10uF 20% 50V	C437	1-124-673-85	ELECT	100uF 20% 10V
C278	1-162-927-11	CERAMIC CHIP	100PF 5% 50V	C438	1-162-965-11	CERAMIC CHIP	0.0015uF 10% 50V
C282	1-124-717-85	ELECT	1uF 20% 50V	C439	1-162-965-11	CERAMIC CHIP	0.0015uF 10% 50V
C283	1-124-721-85	ELECT	10uF 20% 50V	C440	1-124-673-85	ELECT	100uF 20% 10V
C288	1-162-927-11	CERAMIC CHIP	100PF 5% 50V	C441	1-124-721-85	ELECT	10uF 20% 50V
C303	1-126-933-11	ELECT	100uF 20% 16V	C442	1-162-927-11	CERAMIC CHIP	100PF 5% 50V
C304	1-162-970-11	CERAMIC CHIP	0.01uF 10% 25V	C443	1-126-964-11	ELECT	10uF 20% 50V
C308	1-124-717-85	ELECT	1uF 20% 50V	C448	1-124-721-85	ELECT	10uF 20% 50V
C309	1-124-717-85	ELECT	1uF 20% 50V	C449	1-124-721-85	ELECT	10uF 20% 50V
C310	1-162-964-11	CERAMIC CHIP	0.001uF 10% 50V	C450	1-124-721-85	ELECT	10uF 20% 50V
C311	1-126-916-11	ELECT	1000uF 20% 6.3V	C451	1-124-721-85	ELECT	10uF 20% 50V
C312	1-126-934-11	ELECT	220uF 20% 16V	C452	1-162-970-11	CERAMIC CHIP	0.01uF 10% 25V
C313	1-164-156-11	CERAMIC CHIP	0.1uF 25V	C453	1-162-970-11	CERAMIC CHIP	0.01uF 10% 25V
C314	1-126-964-11	ELECT	10uF 20% 50V	C475	1-162-970-11	CERAMIC CHIP	0.01uF 10% 25V
C315	1-162-917-11	CERAMIC CHIP	15PF 5% 50V	C501	1-162-970-11	CERAMIC CHIP	0.01uF 10% 25V
C316	1-162-917-11	CERAMIC CHIP	15PF 5% 50V	C502	1-126-933-11	ELECT	100uF 20% 16V
C317	1-162-970-11	CERAMIC CHIP	0.01uF 10% 25V	C503	1-126-963-11	ELECT	4.7uF 20% 50V (EXCEPT F7715X)
C318	1-107-826-11	CERAMIC CHIP	0.1uF 10% 16V	C504	1-162-970-11	CERAMIC CHIP	0.01uF 10% 25V
C321	1-126-933-11	ELECT	100uF 20% 16V	C507	1-126-933-11	ELECT	100uF 20% 16V
C324	1-126-933-11	ELECT	100uF 20% 16V	C508	1-162-970-11	CERAMIC CHIP	0.01uF 10% 25V
C325	1-162-970-11	CERAMIC CHIP	0.01uF 10% 25V	C509	1-162-970-11	CERAMIC CHIP	0.01uF 10% 25V
C326	1-162-970-11	CERAMIC CHIP	0.01uF 10% 25V	C510	1-162-970-11	CERAMIC CHIP	0.01uF 10% 25V
C327	1-162-970-11	CERAMIC CHIP	0.01uF 10% 25V	C511	1-162-970-11	CERAMIC CHIP	0.01uF 10% 25V
C328	1-162-970-11	CERAMIC CHIP	0.01uF 10% 25V	C550	1-162-917-11	CERAMIC CHIP	15PF 5% 50V (EXCEPT F7715X)
C329	1-162-970-11	CERAMIC CHIP	0.01uF 10% 25V	C551	1-162-917-11	CERAMIC CHIP	15PF 5% 50V (EXCEPT F7715X)
C330	1-162-964-11	CERAMIC CHIP	0.001uF 10% 50V	C552	1-107-826-11	CERAMIC CHIP	0.1uF 10% 16V (EXCEPT F7715X)
C333	1-126-933-11	ELECT	100uF 20% 16V	C554	1-107-826-11	CERAMIC CHIP	0.1uF 10% 16V (EXCEPT F7715X)
C334	1-162-970-11	CERAMIC CHIP	0.01uF 10% 25V	C555	1-107-826-11	CERAMIC CHIP	0.1uF 10% 16V (EXCEPT F7715X)
C335	1-124-673-85	ELECT	100uF 20% 10V	C556	1-107-826-11	CERAMIC CHIP	0.1uF 10% 16V (EXCEPT F7715X)
C336	1-162-970-11	CERAMIC CHIP	0.01uF 10% 25V				
C342	1-124-721-85	ELECT	10uF 20% 50V				
C343	1-162-970-11	CERAMIC CHIP	0.01uF 10% 25V				
C344	1-124-673-85	ELECT	100uF 20% 10V				
C345	1-162-970-11	CERAMIC CHIP	0.01uF 10% 25V				

Ref. No.	Part No.	Description	Remark	Ref. No.	Part No.	Description	Remark
C557	1-162-959-11	CERAMIC CHIP	330PF 5% 50V (EXCEPT F7715X)	D122	8-719-977-12	DIODE DTZ6.8B	
C558	1-107-826-11	CERAMIC CHIP	0.1uF 10% 16V (EXCEPT F7715X)	D270	8-719-060-48	DIODE RB751V-40TE-17	
C559	1-107-826-11	CERAMIC CHIP	0.1uF 10% 16V (EXCEPT F7715X)	D271	8-719-060-48	DIODE RB751V-40TE-17	
C560	1-107-826-11	CERAMIC CHIP	0.1uF 10% 16V (EXCEPT F7715X)	D301	8-719-820-05	DIODE 1S5181	
C561	1-126-947-11	ELECT	47uF 20% 35V (EXCEPT F7715X)	D302	8-719-060-48	DIODE RB751V-40TE-17	
C562	1-162-970-11	CERAMIC CHIP	0.01uF 10% 25V (EXCEPT F7715X)	D304	8-719-060-48	DIODE RB751V-40TE-17	
C620	1-104-665-11	ELECT	100uF 20% 25V	D307	8-719-080-34	DIODE SDS511	
C621	1-128-552-11	ELECT	47uF 20% 63V	D308	8-719-080-34	DIODE SDS511	
C622	1-126-934-11	ELECT	220uF 20% 16V	D400	8-719-058-24	DIODE RB501V-40TE-17	
C623	1-126-964-11	ELECT	10uF 20% 50V	D401	8-719-404-50	DIODE MA111-TX	
C624	1-164-315-11	CERAMIC CHIP	470PF 5% 50V	D402	8-719-058-24	DIODE RB501V-40TE-17	
C625	1-162-966-11	CERAMIC CHIP	0.0022uF 10% 50V	D501	8-719-069-55	DIODE UZDSTE-175.6B	
C628	1-107-826-11	CERAMIC CHIP	0.1uF 10% 16V	D601	8-719-977-12	DIODE DTZ6.8B	
C629	1-126-933-11	ELECT	100uF 20% 16V	D602	8-719-977-12	DIODE DTZ6.8B	
C900	1-162-970-11	CERAMIC CHIP	0.01uF 10% 25V	D603	8-719-977-12	DIODE DTZ6.8B	
C901	1-126-965-11	ELECT	22uF 20% 50V	D604	8-719-977-12	DIODE DTZ6.8B	
C902	1-107-826-11	CERAMIC CHIP	0.1uF 10% 16V	D605	6-500-886-01	DIODE RSA6.1ENTR	
C903	1-126-963-11	ELECT	4.7uF 20% 50V	D606	6-500-886-01	DIODE RSA6.1ENTR	
C928	1-162-970-11	CERAMIC CHIP	0.01uF 10% 25V	D607	8-719-083-66	DIODE UZDSTE-1718B	
C930	1-162-970-11	CERAMIC CHIP	0.01uF 10% 25V	D620	8-719-053-18	DIODE 1SR154-400TE-25	
< CONNECTOR >				D621	8-719-053-18	DIODE 1SR154-400TE-25	
* CN401	1-506-985-11	PIN, CONNECTOR (PC BOARD) 3P		D622	6-501-089-01	DIODE RF101L2STE25	
CN601	1-569-915-11	SOCKET, CONNECTOR 22P		D623	8-719-067-83	DIODE RB161L-40TE25	
CNP101	1-774-701-21	PIN, CONNECTOR 16P		D624	8-719-067-83	DIODE RB161L-40TE25	
CNP102	1-580-907-41	PLUG, CONNECTOR (BUS CONTROL IN)		D625	8-719-083-66	DIODE UZDSTE-1718B	
CNP301	1-817-536-11	CONNECTOR, BOARD TO BOARD 28P		D626	8-719-080-28	DIODE KDZ5.1V	
< JACK >				D907	8-719-060-48	DIODE RB751V-40TE-17	
CNJ101	1-764-270-21	JACK, STEREO MINIATURE (DIA. 3.5) (REMOTE IN)		D909	8-719-080-34	DIODE SDS511	
< DIODE >				< JUMPER RESISTOR >			
D101	8-719-083-66	DIODE UZDSTE-1718B		FB324	1-216-295-11	SHORT CHIP 0	
D102	8-719-083-66	DIODE UZDSTE-1718B		FB325	1-216-295-11	SHORT CHIP 0	
D103	8-719-060-48	DIODE RB751V-40TE-17		FB326	1-216-295-11	SHORT CHIP 0	
D104	8-719-069-56	DIODE UZDSTE-176.2B		FB327	1-216-295-11	SHORT CHIP 0	
D105	8-719-083-66	DIODE UZDSTE-1718B		FB328	1-469-407-22	INDUCTOR, FERRITE BEAD	
D106	8-719-977-12	DIODE DTZ6.8B		FB329	1-216-295-11	SHORT CHIP 0	
D108	8-719-083-66	DIODE UZDSTE-1718B		FB441	1-414-813-11	FERRITE, EMI (SMD) (2012)	
D109	8-719-049-38	DIODE 1N5404TU		FB442	1-414-813-11	FERRITE, EMI (SMD) (2012)	
D110	8-719-053-18	DIODE 1SR154-400TE-25		FB501	1-216-295-11	SHORT CHIP 0	
D111	8-719-053-18	DIODE 1SR154-400TE-25		FB503	1-216-295-11	SHORT CHIP 0	
D112	8-719-053-18	DIODE 1SR154-400TE-25		FB550	1-216-295-11	SHORT CHIP 0 (EXCEPT F7715X)	
D113	8-719-053-18	DIODE 1SR154-400TE-25		FB551	1-216-295-11	SHORT CHIP 0 (EXCEPT F7715X)	
D114	8-719-053-18	DIODE 1SR154-400TE-25		FB552	1-216-797-11	METAL CHIP 10 5% 1/10W (EXCEPT F7715X)	
D115	8-719-053-18	DIODE 1SR154-400TE-25		FB555	1-216-797-11	METAL CHIP 10 5% 1/10W (EXCEPT F7715X)	
D116	8-719-053-18	DIODE 1SR154-400TE-25		< IC >			
D117	8-719-053-18	DIODE 1SR154-400TE-25		IC110	6-703-884-01	IC BA8271F-E2	
D118	8-719-053-18	DIODE 1SR154-400TE-25		IC201	6-705-359-02	IC TDA8588AJ/N2/R1	
D119	8-719-053-18	DIODE 1SR154-400TE-25		IC301	6-705-373-01	IC MM3123DPLE	
D120	6-500-508-01	DIODE RR263M-400FTR		IC302	8-759-659-13	IC PST3428UL	
D121	6-500-508-01	DIODE RR263M-400FTR		IC303	6-805-006-01	IC MB90487APFV-G-127-BNDE1	
				IC321	6-707-282-01	IC MM1615ANLE	
				IC401	6-703-303-01	IC TDA7416	
				IC402	6-703-419-01	IC LA2901V-TLM-E	
				IC431	8-759-710-97	IC NJM4565M-D	
				IC451	8-759-710-97	IC NJM4565M-D	

CDX-F7710/F7710S/F7715X/F7750/F7750S

MAIN

Ref. No.	Part No.	Description	Remark	Ref. No.	Part No.	Description	Remark
IC470	8-759-710-97	IC NJM4565M-D		Q642	8-729-055-91	TRANSISTOR SRA2202SF	
IC550	6-803-747-01	IC TDA7333013TR (EXCEPT F7715X)		Q907	8-729-049-40	TRANSISTOR 2SC5343SFG	
IC620	6-705-542-01	IC NJM2377M(TE2)				< RESISTOR >	
IC900	6-707-281-01	IC MM1613DNLE					
		< JACK >		R101	1-216-077-11	RES-CHIP 15K 5%	1/10W
J601	1-793-598-11	JACK (ANTENNA)		R102	1-216-049-11	RES-CHIP 1K 5%	1/10W
		< JUMPER RESISTOR >		R103	1-216-821-11	METAL CHIP 1K 5%	1/10W
JR1	1-216-296-11	SHORT CHIP 0		R104	1-216-829-11	METAL CHIP 4.7K 5%	1/10W
JR2	1-216-296-11	SHORT CHIP 0		R105	1-216-841-11	METAL CHIP 47K 5%	1/10W
JR201	1-216-296-11	SHORT CHIP 0		R106	1-216-841-11	METAL CHIP 47K 5%	1/10W
		< COIL >		R107	1-216-073-00	RES-CHIP 10K 5%	1/10W
L101	1-456-617-11	COIL, CHOKE		R108	1-216-073-00	RES-CHIP 10K 5%	1/10W
L301	1-414-394-41	INDUCTOR 2.2uH		R109	1-216-833-11	METAL CHIP 10K 5%	1/10W
L303	1-414-398-11	INDUCTOR 10uH		R110	1-216-833-11	METAL CHIP 10K 5%	1/10W
L320	1-414-394-41	INDUCTOR 2.2uH		R111	1-216-841-11	METAL CHIP 47K 5%	1/10W
L321	1-414-394-41	INDUCTOR 2.2uH		R112	1-216-821-11	METAL CHIP 1K 5%	1/10W
L401	1-414-394-41	INDUCTOR 2.2uH		R114	1-216-809-11	METAL CHIP 100 5%	1/10W
L502	1-414-394-41	INDUCTOR 2.2uH		R115	1-216-809-11	METAL CHIP 100 5%	1/10W
L620	1-456-729-21	INDUCTOR 100uH		R116	1-216-809-11	METAL CHIP 100 5%	1/10W
		< JACK >		R117	1-216-821-11	METAL CHIP 1K 5%	1/10W
PJ401	1-774-700-11	JACK, PIN 6P (BUS AUDIO IN/AUX IN, AUDIO OUT REAR/FRONT)		R118	1-216-829-11	METAL CHIP 4.7K 5%	1/10W
		< TRANSISTOR >		R119	1-216-849-11	METAL CHIP 220K 5%	1/10W
Q101	8-729-055-94	TRANSISTOR SRC1202SF		R120	1-216-849-11	METAL CHIP 220K 5%	1/10W
Q102	8-729-049-40	TRANSISTOR 2SC5343SFG		R121	1-216-821-11	METAL CHIP 1K 5%	1/10W
Q103	8-729-049-40	TRANSISTOR 2SC5343SFG		R122	1-216-797-11	METAL CHIP 10 5%	1/10W
Q110	8-729-055-91	TRANSISTOR SRA2202SF		R142	1-216-825-11	METAL CHIP 2.2K 5%	1/10W
Q111	8-729-055-94	TRANSISTOR SRC1202SF		R143	1-216-833-11	METAL CHIP 10K 5%	1/10W
Q112	8-729-055-91	TRANSISTOR SRA2202SF		R174	1-216-813-11	METAL CHIP 220 5%	1/10W
Q171	6-550-752-01	TRANSISTOR DTC614TKT146		R175	1-216-841-11	METAL CHIP 47K 5%	1/10W
Q181	6-550-752-01	TRANSISTOR DTC614TKT146		R184	1-216-813-11	METAL CHIP 220 5%	1/10W
Q271	6-550-752-01	TRANSISTOR DTC614TKT146		R185	1-216-841-11	METAL CHIP 47K 5%	1/10W
Q281	6-550-752-01	TRANSISTOR DTC614TKT146		R201	1-216-841-11	METAL CHIP 47K 5%	1/10W
Q301	8-729-038-55	TRANSISTOR KRA103S		R202	1-216-811-11	METAL CHIP 150 5%	1/10W
Q380	8-729-055-95	TRANSISTOR SRC1204SF (EXCEPT F7715X)		R203	1-216-049-11	RES-CHIP 1K 5%	1/10W
Q401	8-729-055-95	TRANSISTOR SRC1204SF		R204	1-216-049-11	RES-CHIP 1K 5%	1/10W
Q402	8-729-055-91	TRANSISTOR SRA2202SF		R205	1-216-049-11	RES-CHIP 1K 5%	1/10W
Q408	6-550-683-01	FET RJK005N03-T146		R206	1-216-049-11	RES-CHIP 1K 5%	1/10W
Q450	6-550-752-01	TRANSISTOR DTC614TKT146		R240	1-216-295-11	SHORT CHIP 0	
Q451	6-550-752-01	TRANSISTOR DTC614TKT146		R241	1-216-295-11	SHORT CHIP 0	
Q452	6-550-752-01	TRANSISTOR DTC614TKT146		R242	1-216-825-11	METAL CHIP 2.2K 5%	1/10W
Q453	6-550-752-01	TRANSISTOR DTC614TKT146		R243	1-216-833-11	METAL CHIP 10K 5%	1/10W
Q470	6-550-752-01	TRANSISTOR DTC614TKT146		R244	1-216-864-11	SHORT CHIP 0	
Q501	8-729-920-85	TRANSISTOR 2SD1664-QR		R274	1-216-813-11	METAL CHIP 220 5%	1/10W
Q551	8-729-055-95	TRANSISTOR SRC1204SF (EXCEPT F7715X)		R275	1-216-841-11	METAL CHIP 47K 5%	1/10W
Q552	8-729-026-49	TRANSISTOR 2SA1037AK-T146-R (EXCEPT F7715X)		R284	1-216-813-11	METAL CHIP 220 5%	1/10W
Q601	8-729-055-91	TRANSISTOR SRA2202SF		R285	1-216-841-11	METAL CHIP 47K 5%	1/10W
Q602	8-729-055-95	TRANSISTOR SRC1204SF		R300	1-216-864-11	SHORT CHIP 0	
Q620	6-551-131-01	FET 2SK3614-TD-E		R301	1-216-864-11	SHORT CHIP 0	
Q621	8-729-055-91	TRANSISTOR SRA2202SF		R302	1-216-809-11	METAL CHIP 100 5%	1/10W
Q622	8-729-055-95	TRANSISTOR SRC1204SF		R303	1-216-809-11	METAL CHIP 100 5%	1/10W
Q623	8-729-055-95	TRANSISTOR SRC1204SF		R311	1-216-864-11	SHORT CHIP 0	
				R318	1-216-845-11	METAL CHIP 100K 5%	1/10W
				R320	1-216-864-11	SHORT CHIP 0	
				R322	1-216-825-11	METAL CHIP 2.2K 5%	1/10W
				R323	1-216-825-11	METAL CHIP 2.2K 5%	1/10W
				R324	1-218-871-11	METAL CHIP 10K 0.5%	1/10W
				R325	1-218-871-11	METAL CHIP 10K 0.5%	1/10W
				R327	1-218-871-11	METAL CHIP 10K 0.5%	1/10W

Ref. No.	Part No.	Description	Quantity	Percentage	Remark	Ref. No.	Part No.	Description	Quantity	Percentage	Remark
R328	1-216-809-11	METAL CHIP	100	5%	1/10W	R429	1-216-086-00	RES-CHIP	36K	5%	1/10W
R329	1-216-833-11	METAL CHIP	10K	5%	1/10W	R430	1-216-082-00	RES-CHIP	24K	5%	1/10W
R330	1-216-833-11	METAL CHIP	10K	5%	1/10W	R431	1-216-086-00	RES-CHIP	36K	5%	1/10W
R331	1-216-841-11	METAL CHIP	47K	5%	1/10W	R432	1-216-082-00	RES-CHIP	24K	5%	1/10W
R332	1-216-849-11	METAL CHIP	220K	5%	1/10W	R433	1-216-086-00	RES-CHIP	36K	5%	1/10W
R333	1-216-837-11	METAL CHIP	22K	5%	1/10W	R434	1-216-082-00	RES-CHIP	24K	5%	1/10W
R334	1-216-845-11	METAL CHIP	100K	5%	1/10W	R435	1-216-086-00	RES-CHIP	36K	5%	1/10W
R335	1-216-845-11	METAL CHIP	100K	5%	1/10W	R436	1-216-082-00	RES-CHIP	24K	5%	1/10W
R338	1-216-845-11	METAL CHIP	100K	5%	1/10W	R437	1-216-833-11	METAL CHIP	10K	5%	1/10W
R339	1-216-833-11	METAL CHIP	10K	5%	1/10W	R438	1-216-835-11	METAL CHIP	15K	5%	1/10W
R340	1-216-845-11	METAL CHIP	100K	5%	1/10W	R449	1-216-835-11	METAL CHIP	15K	5%	1/10W
R341	1-216-845-11	METAL CHIP	100K	5%	1/10W	R450	1-216-833-11	METAL CHIP	10K	5%	1/10W
R342	1-216-845-11	METAL CHIP	100K	5%	1/10W	R451	1-216-835-11	METAL CHIP	15K	5%	1/10W
R343	1-216-871-11	METAL CHIP	10K	0.5%	1/10W	R452	1-216-833-11	METAL CHIP	10K	5%	1/10W
R344	1-216-833-11	METAL CHIP	10K	5%	1/10W	R455	1-216-835-11	METAL CHIP	15K	5%	1/10W
R345	1-216-845-11	METAL CHIP	100K	5%	1/10W	R456	1-216-833-11	METAL CHIP	10K	5%	1/10W
R346	1-216-845-11	METAL CHIP	100K	5%	1/10W (EXCEPT F7715X)	R457	1-216-813-11	METAL CHIP	220	5%	1/10W
R347	1-216-845-11	METAL CHIP	100K	5%	1/10W (F7715X)	R458	1-216-813-11	METAL CHIP	220	5%	1/10W
R348	1-216-845-11	METAL CHIP	100K	5%	1/10W (EXCEPT F7715X)	R459	1-216-813-11	METAL CHIP	220	5%	1/10W
R349	1-216-845-11	METAL CHIP	100K	5%	1/10W (F7715X)	R460	1-216-813-11	METAL CHIP	220	5%	1/10W
R351	1-216-845-11	METAL CHIP	100K	5%	1/10W	R461	1-216-841-11	METAL CHIP	47K	5%	1/10W
R352	1-216-845-11	METAL CHIP	100K	5%	1/10W	R462	1-216-841-11	METAL CHIP	47K	5%	1/10W
R353	1-216-843-11	METAL CHIP	68K	5%	1/10W (EXCEPT F7715X)	R463	1-216-841-11	METAL CHIP	47K	5%	1/10W
R354	1-216-839-11	METAL CHIP	33K	5%	1/10W (EXCEPT F7715X)	R464	1-216-841-11	METAL CHIP	47K	5%	1/10W
R355	1-216-845-11	METAL CHIP	100K	5%	1/10W	R471	1-216-864-11	SHORT CHIP	0		
R356	1-216-845-11	METAL CHIP	100K	5%	1/10W	R472	1-216-835-11	METAL CHIP	15K	5%	1/10W
R357	1-216-809-11	METAL CHIP	100	5%	1/10W	R473	1-216-833-11	METAL CHIP	10K	5%	1/10W
R358	1-216-809-11	METAL CHIP	100	5%	1/10W	R501	1-216-821-11	METAL CHIP	1K	5%	1/10W
R361	1-216-839-11	METAL CHIP	33K	5%	1/10W (EXCEPT F7715X)	R502	1-216-839-11	METAL CHIP	33K	5%	1/10W
R362	1-216-843-11	METAL CHIP	68K	5%	1/10W (EXCEPT F7715X)	R503	1-216-843-11	METAL CHIP	68K	5%	1/10W
R362	1-216-864-11	SHORT CHIP	0 (F7715X)			R504	1-216-295-11	SHORT CHIP	0		
R367	1-216-845-11	METAL CHIP	100K	5%	1/10W	R551	1-216-845-11	METAL CHIP	100K	5%	1/10W (EXCEPT F7715X)
R380	1-216-809-11	METAL CHIP	100	5%	1/10W (EXCEPT F7715X)	R553	1-216-833-11	METAL CHIP	10K	5%	1/10W (EXCEPT F7715X)
R401	1-216-017-11	RES-CHIP	47	5%	1/10W	R554	1-216-801-11	METAL CHIP	22	5%	1/10W (EXCEPT F7715X)
R402	1-216-813-11	METAL CHIP	220	5%	1/10W	R556	1-216-864-11	SHORT CHIP	0 (EXCEPT F7715X)		
R407	1-216-841-11	METAL CHIP	47K	5%	1/10W	R557	1-216-821-11	METAL CHIP	1K	5%	1/10W (EXCEPT F7715X)
R408	1-216-809-11	METAL CHIP	100	5%	1/10W	R558	1-216-833-11	METAL CHIP	10K	5%	1/10W (EXCEPT F7715X)
R410	1-216-295-11	SHORT CHIP	0			R600	1-216-295-11	SHORT CHIP	0		
R414	1-216-833-11	METAL CHIP	10K	5%	1/10W	R601	1-216-029-00	RES-CHIP	150	5%	1/10W
R415	1-216-833-11	METAL CHIP	10K	5%	1/10W	R602	1-216-029-00	RES-CHIP	150	5%	1/10W
R416	1-216-025-11	RES-CHIP	100	5%	1/10W	R603	1-216-029-00	RES-CHIP	150	5%	1/10W
R417	1-216-025-11	RES-CHIP	100	5%	1/10W	R604	1-216-025-11	RES-CHIP	100	5%	1/10W
R418	1-216-025-11	RES-CHIP	100	5%	1/10W	R620	1-216-230-00	RES-CHIP	22K	5%	1/8W
R419	1-216-025-11	RES-CHIP	100	5%	1/10W	R621	1-216-230-00	RES-CHIP	22K	5%	1/8W
R420	1-216-833-11	METAL CHIP	10K	5%	1/10W	R622	1-218-863-11	METAL CHIP	4.7K	0.5%	1/10W
R421	1-216-833-11	METAL CHIP	10K	5%	1/10W	R623	1-218-895-11	METAL CHIP	100K	0.5%	1/10W
R422	1-216-813-11	METAL CHIP	220	5%	1/10W	R624	1-218-847-11	METAL CHIP	1K	0.5%	1/10W
R424	1-216-825-11	METAL CHIP	2.2K	5%	1/10W	R625	1-216-025-11	RES-CHIP	100	5%	1/10W
R426	1-216-864-11	SHORT CHIP	0			R626	1-216-848-11	METAL CHIP	180K	5%	1/10W
R427	1-216-295-11	SHORT CHIP	0			R627	1-216-846-11	METAL CHIP	120K	5%	1/10W
						R628	1-216-841-11	METAL CHIP	47K	5%	1/10W
						R629	1-216-833-11	METAL CHIP	10K	5%	1/10W
						R630	1-216-837-11	METAL CHIP	22K	5%	1/10W
						R631	1-216-821-11	METAL CHIP	1K	5%	1/10W

CDX-F7710/F7710S/F7715X/F7750/F7750S

MAIN **RELAY** **SENSOR** **SERVO**

Ref. No.	Part No.	Description	Remark
R632	1-216-823-11	METAL CHIP 1.5K 5%	1/10W
R633	1-216-821-11	METAL CHIP 1K 5%	1/10W
R635	1-216-864-11	SHORT CHIP 0	
R636	1-216-839-11	METAL CHIP 33K 5%	1/10W
R637	1-216-864-11	SHORT CHIP 0	
R644	1-216-296-11	SHORT CHIP 0	
R647	1-216-296-11	SHORT CHIP 0	
R649	1-216-296-11	SHORT CHIP 0	
R901	1-216-296-11	SHORT CHIP 0	
R920	1-216-073-00	RES-CHIP 10K 5%	1/10W
R921	1-216-073-00	RES-CHIP 10K 5%	1/10W
R922	1-216-845-11	METAL CHIP 100K 5%	1/10W
R929	1-216-837-11	METAL CHIP 22K 5%	1/10W
R951	1-216-295-11	SHORT CHIP 0	
< SWITCH >			
S300	1-786-458-11	SWITCH, PUSH (1 KEY) (NOSE DET)	
S301	1-762-638-21	SWITCH, TACTILE (RESET)	
< TRANSFORMER >			
T620	1-443-212-11	TRANSFORMER, DC-DC CONVERTER	
< THERMISTOR (POSITIVE) >			
TH100	1-801-792-21	THERMISTOR, POSITIVE	
< TUNER >			
TUX501	A-3220-961-A	TUNER UNIT (TUX-032)	
< VIBRATOR >			
X301	1-813-524-21	VIBRATOR, CERAMIC (18.432MHz)	
X302	1-813-202-11	VIBRATOR, CRYSTAL (32.768kHz)	
X550	1-813-173-11	VIBRATOR, CRYSTAL (8.664MHz)	(EXCEPT F7715X)

RELAY BOARD			

1-828-511-11	CABLE, FLAT (FFC) 22P (CNP502)		
< CONNECTOR >			
CNP501	1-818-142-11	SOCKET, CONNECTOR 20P	
< DIODE >			
D990	8-719-977-12	DIODE DTZ6.8B	
D991	8-719-977-12	DIODE DTZ6.8B	
LED931	6-500-895-01	LED CL-270UB2-X-TS (DISC IN)	
LED932	6-500-204-01	LED CL-190UB2-X-T (▲)	
< RESISTOR >			
R990	1-216-809-11	METAL CHIP 100 5%	1/10W
< SWITCH >			
S901	1-786-763-11	SWITCH, TACTILE (▲)	

Ref. No.	Part No.	Description	Remark
SENSOR BOARD			

< SWITCH >			
SW2	1-529-566-61	SWITCH, PUSH (1 KEY) (SELF)	
SW3	1-529-566-61	SWITCH, PUSH (1 KEY) (DISC IN)	

A-1075-811-A	SERVO BOARD, COMPLETE		

< CAPACITOR >			
C4	1-100-567-81	CERAMIC CHIP 0.01uF	10% 25V
C5	1-125-777-11	CERAMIC CHIP 0.1uF	10% 10V
C6	1-125-777-11	CERAMIC CHIP 0.1uF	10% 10V
C7	1-100-567-81	CERAMIC CHIP 0.01uF	10% 25V
C9	1-104-609-11	ELECT CHIP 100uF	20% 4V
C10	1-162-962-11	CERAMIC CHIP 470PF	10% 50V
C13	1-125-777-11	CERAMIC CHIP 0.1uF	10% 10V
C16	1-125-777-11	CERAMIC CHIP 0.1uF	10% 10V
C17	1-162-925-11	CERAMIC CHIP 68PF	5% 50V
C18	1-125-777-11	CERAMIC CHIP 0.1uF	10% 10V
C19	1-125-777-11	CERAMIC CHIP 0.1uF	10% 10V
C20	1-164-245-11	CERAMIC CHIP 0.015uF	10% 25V
C21	1-165-176-11	CERAMIC CHIP 0.047uF	10% 16V
C22	1-100-567-81	CERAMIC CHIP 0.01uF	10% 25V
C23	1-125-777-11	CERAMIC CHIP 0.1uF	10% 10V
C24	1-100-567-81	CERAMIC CHIP 0.01uF	10% 25V
C27	1-164-677-11	CERAMIC CHIP 0.033uF	10% 16V
C28	1-100-567-81	CERAMIC CHIP 0.01uF	10% 25V
C29	1-125-777-11	CERAMIC CHIP 0.1uF	10% 10V
C31	1-164-245-11	CERAMIC CHIP 0.015uF	10% 25V
C32	1-162-923-11	CERAMIC CHIP 47PF	5% 50V
C33	1-164-677-11	CERAMIC CHIP 0.033uF	10% 16V
C34	1-125-777-11	CERAMIC CHIP 0.1uF	10% 10V
C35	1-125-777-11	CERAMIC CHIP 0.1uF	10% 10V
C36	1-125-777-11	CERAMIC CHIP 0.1uF	10% 10V
C37	1-125-777-11	CERAMIC CHIP 0.1uF	10% 10V
C38	1-162-962-11	CERAMIC CHIP 470PF	10% 50V
C39	1-162-962-11	CERAMIC CHIP 470PF	10% 50V
C40	1-162-968-11	CERAMIC CHIP 0.0047uF	10% 50V
C41	1-162-968-11	CERAMIC CHIP 0.0047uF	10% 50V
C42	1-125-777-11	CERAMIC CHIP 0.1uF	10% 10V
C43	1-100-567-81	CERAMIC CHIP 0.01uF	10% 25V
C45	1-125-777-11	CERAMIC CHIP 0.1uF	10% 10V
C47	1-125-777-11	CERAMIC CHIP 0.1uF	10% 10V
C48	1-125-777-11	CERAMIC CHIP 0.1uF	10% 10V
C49	1-125-777-11	CERAMIC CHIP 0.1uF	10% 10V
C51	1-125-777-11	CERAMIC CHIP 0.1uF	10% 10V
C52	1-162-966-11	CERAMIC CHIP 0.0022uF	10% 50V
C53	1-125-777-11	CERAMIC CHIP 0.1uF	10% 10V
C57	1-115-416-11	CERAMIC CHIP 0.001uF	5% 25V
C61	1-126-208-21	ELECT CHIP 47uF	20% 4V
C62	1-100-567-81	CERAMIC CHIP 0.01uF	10% 25V
C64	1-100-567-81	CERAMIC CHIP 0.01uF	10% 25V
C65	1-100-567-81	CERAMIC CHIP 0.01uF	10% 25V
C66	1-125-777-11	CERAMIC CHIP 0.1uF	10% 10V
C67	1-125-837-11	CERAMIC CHIP 1uF	10% 6.3V

SERVO

Ref. No.	Part No.	Description	Remark	Ref. No.	Part No.	Description	Remark
C70	1-125-777-11	CERAMIC CHIP	0.1uF 10% 10V			< TRANSISTOR >	
C72	1-125-837-11	CERAMIC CHIP	1uF 10% 6.3V				
C73	1-125-777-11	CERAMIC CHIP	0.1uF 10% 10V				
C74	1-125-777-11	CERAMIC CHIP	0.1uF 10% 10V	Q1	8-729-904-87	TRANSISTOR	2SB1197K-R
C75	1-125-777-11	CERAMIC CHIP	0.1uF 10% 10V	Q2	8-729-904-87	TRANSISTOR	2SB1197K-R
				Q3	8-729-928-90	TRANSISTOR	DTC114EE
C76	1-100-381-11	ELECT CHIP	10uF 20% 16V			< RESISTOR >	
C77	1-125-777-11	CERAMIC CHIP	0.1uF 10% 10V	R1	1-218-941-81	RES-CHIP	100 5% 1/16W
C78	1-125-777-11	CERAMIC CHIP	0.1uF 10% 10V	R2	1-208-699-11	METAL CHIP	4.7K 0.5% 1/16W
C79	1-100-381-11	ELECT CHIP	10uF 20% 16V	R3	1-208-912-11	METAL CHIP	11K 0.5% 1/16W
C80	1-125-837-11	CERAMIC CHIP	1uF 10% 6.3V	R4	1-218-969-11	RES-CHIP	22K 5% 1/16W
C81	1-115-416-11	CERAMIC CHIP	0.001uF 5% 25V	R5	1-218-969-11	RES-CHIP	22K 5% 1/16W
C82	1-125-777-11	CERAMIC CHIP	0.1uF 10% 10V				
C83	1-100-381-11	ELECT CHIP	10uF 20% 16V	R6	1-218-929-11	RES-CHIP	10 5% 1/16W
C84	1-100-381-11	ELECT CHIP	10uF 20% 16V	R7	1-218-929-11	RES-CHIP	10 5% 1/16W
C85	1-125-777-11	CERAMIC CHIP	0.1uF 10% 10V	R8	1-218-967-11	RES-CHIP	15K 5% 1/16W
C86	1-125-777-11	CERAMIC CHIP	0.1uF 10% 10V	R9	1-218-967-11	RES-CHIP	15K 5% 1/16W
C88	1-164-730-11	CERAMIC CHIP	0.0012uF 5% 50V	R10	1-218-965-11	RES-CHIP	10K 5% 1/16W
C89	1-164-730-11	CERAMIC CHIP	0.0012uF 5% 50V	R11	1-218-965-11	RES-CHIP	10K 5% 1/16W
C90	1-115-412-11	CERAMIC CHIP	680PF 5% 25V	R12	1-218-977-11	RES-CHIP	100K 5% 1/16W
C91	1-115-412-11	CERAMIC CHIP	680PF 5% 25V	R13	1-218-969-11	RES-CHIP	22K 5% 1/16W
C92	1-115-412-11	CERAMIC CHIP	680PF 5% 25V	R16	1-218-967-11	RES-CHIP	15K 5% 1/16W
C93	1-115-412-11	CERAMIC CHIP	680PF 5% 25V	R17	1-218-973-11	RES-CHIP	47K 5% 1/16W
C94	1-115-412-11	CERAMIC CHIP	680PF 5% 25V				
C95	1-100-381-11	ELECT CHIP	10uF 20% 16V	R19	1-218-967-11	RES-CHIP	15K 5% 1/16W
C96	1-125-777-11	CERAMIC CHIP	0.1uF 10% 10V	R21	1-218-973-11	RES-CHIP	47K 5% 1/16W
C99	1-100-567-81	CERAMIC CHIP	0.01uF 10% 25V	R22	1-218-990-11	SHORT CHIP	0
				R23	1-218-979-11	RES-CHIP	150K 5% 1/16W
C100	1-100-381-11	ELECT CHIP	10uF 20% 16V	R24	1-218-962-11	RES-CHIP	5.6K 5% 1/16W
C101	1-100-567-81	CERAMIC CHIP	0.01uF 10% 25V				
C102	1-162-962-11	CERAMIC CHIP	470PF 10% 50V	R25	1-218-990-11	SHORT CHIP	0
C103	1-100-567-81	CERAMIC CHIP	0.01uF 10% 25V	R26	1-218-941-81	RES-CHIP	100 5% 1/16W
C104	1-125-777-11	CERAMIC CHIP	0.1uF 10% 10V	R28	1-218-947-11	RES-CHIP	330 5% 1/16W
				R29	1-218-945-11	RES-CHIP	220 5% 1/16W
C105	1-125-777-11	CERAMIC CHIP	0.1uF 10% 10V	R30	1-218-990-11	SHORT CHIP	0
C106	1-125-777-11	CERAMIC CHIP	0.1uF 10% 10V				
		< CONNECTOR >		R37	1-218-945-11	RES-CHIP	220 5% 1/16W
CN1	1-691-380-21	CONNECTOR, FFC/FPC 16P		R39	1-218-945-11	RES-CHIP	220 5% 1/16W
CN2	1-817-275-21	CONNECTOR, BOARD TO BOARD 28P		R40	1-218-941-81	RES-CHIP	100 5% 1/16W
		< JUMPER RESISTOR >		R41	1-218-977-11	RES-CHIP	100K 5% 1/16W
FB2	1-216-864-11	SHORT CHIP	0	R42	1-218-977-11	RES-CHIP	100K 5% 1/16W
FB3	1-216-864-11	SHORT CHIP	0				
FB4	1-216-864-11	SHORT CHIP	0	R43	1-218-941-81	RES-CHIP	100 5% 1/16W
FB5	1-216-864-11	SHORT CHIP	0	R44	1-218-941-81	RES-CHIP	100 5% 1/16W
FB8	1-216-864-11	SHORT CHIP	0	R47	1-218-977-11	RES-CHIP	100K 5% 1/16W
		< IC >		R48	1-218-941-81	RES-CHIP	100 5% 1/16W
IC1	6-707-327-01	IC BA5968FP-E2		R50	1-218-941-81	RES-CHIP	100 5% 1/16W
IC2	6-707-328-01	IC TC94A60MFG-301					
IC3	6-805-086-01	IC MB90487APFV-G-131-BNDE1		R52	1-218-945-11	RES-CHIP	220 5% 1/16W
IC5	6-707-329-01	IC PCM1793DBR		R53	1-218-941-81	RES-CHIP	100 5% 1/16W
IC6	6-705-364-01	IC R1114N151D-TR-FA		R54	1-218-941-81	RES-CHIP	100 5% 1/16W
				R55	1-218-977-11	RES-CHIP	100K 5% 1/16W
IC7	8-759-422-21	IC NJM4580V(TE2)		R56	1-218-941-81	RES-CHIP	100 5% 1/16W
IC8	8-759-422-21	IC NJM4580V(TE2)					
		< VIBRATOR >		R57	1-218-941-81	RES-CHIP	100 5% 1/16W
IC4	1-813-502-11	OSCILLATOR, CRYSTAL (SMD) (16.9344MHz)		R58	1-218-941-81	RES-CHIP	100 5% 1/16W
				R59	1-218-977-11	RES-CHIP	100K 5% 1/16W
				R60	1-218-977-11	RES-CHIP	100K 5% 1/16W
				R61	1-218-977-11	RES-CHIP	100K 5% 1/16W
				R62	1-218-977-11	RES-CHIP	100K 5% 1/16W
				R63	1-218-977-11	RES-CHIP	100K 5% 1/16W
				R64	1-218-977-11	RES-CHIP	100K 5% 1/16W
				R65	1-218-941-81	RES-CHIP	100 5% 1/16W
				R66	1-218-941-81	RES-CHIP	100 5% 1/16W
				R67	1-218-941-81	RES-CHIP	100 5% 1/16W

CDX-F7710/F7710S/F7715X/F7750/F7750S

SERVO

Ref. No.	Part No.	Description	Remark
R68	1-218-941-81	RES-CHIP	100 5% 1/16W
R69	1-218-941-81	RES-CHIP	100 5% 1/16W
R70	1-218-941-81	RES-CHIP	100 5% 1/16W
R71	1-220-804-11	RES-CHIP	2.2M 5% 1/16W
R72	1-218-941-81	RES-CHIP	100 5% 1/16W
R73	1-218-973-11	RES-CHIP	47K 5% 1/16W
R74	1-218-941-81	RES-CHIP	100 5% 1/16W
R77	1-218-941-81	RES-CHIP	100 5% 1/16W
R78	1-218-941-81	RES-CHIP	100 5% 1/16W
R80	1-218-941-81	RES-CHIP	100 5% 1/16W
R81	1-218-973-11	RES-CHIP	47K 5% 1/16W
R82	1-218-973-11	RES-CHIP	47K 5% 1/16W
R83	1-218-973-11	RES-CHIP	47K 5% 1/16W
R84	1-218-953-11	RES-CHIP	1K 5% 1/16W
R86	1-218-969-11	RES-CHIP	22K 5% 1/16W
R88	1-218-990-11	SHORT CHIP	0
R89	1-218-941-81	RES-CHIP	100 5% 1/16W
R90	1-218-941-81	RES-CHIP	100 5% 1/16W
R91	1-218-941-81	RES-CHIP	100 5% 1/16W
R92	1-218-941-81	RES-CHIP	100 5% 1/16W
R93	1-218-941-81	RES-CHIP	100 5% 1/16W
R94	1-216-864-11	SHORT CHIP	0
R95	1-216-864-11	SHORT CHIP	0
R96	1-218-710-11	METAL CHIP	5.6K 0.5% 1/10W
R97	1-218-710-11	METAL CHIP	5.6K 0.5% 1/10W
R98	1-218-710-11	METAL CHIP	5.6K 0.5% 1/10W
R99	1-218-710-11	METAL CHIP	5.6K 0.5% 1/10W
R100	1-220-200-81	RES-CHIP	30K 5% 1/16W
R101	1-218-971-11	RES-CHIP	33K 5% 1/16W
R102	1-218-702-11	METAL CHIP	2.7K 0.5% 1/10W
R103	1-218-702-11	METAL CHIP	2.7K 0.5% 1/10W
R104	1-218-698-11	METAL CHIP	1.8K 0.5% 1/10W
R105	1-218-698-11	METAL CHIP	1.8K 0.5% 1/10W
R106	1-218-698-11	METAL CHIP	1.8K 0.5% 1/10W
R107	1-218-698-11	METAL CHIP	1.8K 0.5% 1/10W
R108	1-218-702-11	METAL CHIP	2.7K 0.5% 1/10W
R109	1-218-702-11	METAL CHIP	2.7K 0.5% 1/10W
R110	1-216-809-11	METAL CHIP	100 5% 1/10W
R111	1-216-809-11	METAL CHIP	100 5% 1/10W
R114	1-208-912-11	METAL CHIP	11K 0.5% 1/16W
R115	1-208-912-11	METAL CHIP	11K 0.5% 1/16W
R116	1-218-977-11	RES-CHIP	100K 5% 1/16W
R117	1-218-977-11	RES-CHIP	100K 5% 1/16W
R118	1-218-977-11	RES-CHIP	100K 5% 1/16W
R119	1-218-977-11	RES-CHIP	100K 5% 1/16W
R120	1-218-990-11	SHORT CHIP	0
R121	1-218-990-11	SHORT CHIP	0
R122	1-218-990-11	SHORT CHIP	0
R123	1-218-990-11	SHORT CHIP	0
R124	1-218-945-11	RES-CHIP	220 5% 1/16W
R125	1-218-941-81	RES-CHIP	100 5% 1/16W
R126	1-218-941-81	RES-CHIP	100 5% 1/16W
R127	1-218-941-81	RES-CHIP	100 5% 1/16W
R128	1-218-941-81	RES-CHIP	100 5% 1/16W
R129	1-218-941-81	RES-CHIP	100 5% 1/16W
R130	1-218-990-11	SHORT CHIP	0
R132	1-218-962-11	RES-CHIP	5.6K 5% 1/16W

Ref. No.	Part No.	Description	Remark
		< SWITCH >	
SW1	1-529-565-61	SWITCH, PUSH (1 KEY) (DOWN)	
		< VIBRATOR >	
X1	1-813-371-21	VIBRATOR, CERAMIC (12MHz)	

		MISCELLANEOUS	

10	1-790-375-12	CORD (WITH CONNECTOR) (SUB OUT (MONO))	
12	1-776-207-72	CORD (WITH CONNECTOR) (POWER)	
		(F7710/F7710S/F7715X)	
12	1-776-527-71	CORD (WITH CONNECTOR) (ISO) (POWER)	
		(F7750/F7750S)	
△ 153	8-820-207-12	OPTICAL PICK-UP (KSS1000E/K1RP)	
154	A-1075-787-A	CHASSIS (OP) SUB ASSY (including M901)	
F901	1-532-877-11	FUSE (BLADE TYPE) (AUTO FUSE) 10A	
M902	A-3337-638-A	MOTOR ASSY, SL (SLED)	
M903	A-1075-792-A	MOTOR ASSY, LE (LOADING)	
SW4	1-571-099-11	SWITCH (1 KEY) (LIMIT)	

		ACCESSORIES	

	1-479-077-21	REMOTE COMMANDER (RM-X152) (F7715X)	
	1-479-077-41	REMOTE COMMANDER (RM-X154)	
		(EXCEPT F7715X)	
	2-515-342-11	MANUAL, INSTRUCTION (ENGLISH,FRENCH, SPANISH) (F7715X)	
	2-515-342-21	MANUAL, INSTRUCTION (ENGLISH,GERMAN, FRENCH,ITALIAN) (F7750/F7750S)	
	2-515-342-31	MANUAL, INSTRUCTION (ENGLISH, TRADITIONAL CHINESE) (F7710/F7710S)	
	2-515-343-11	MANUAL, INSTRUCTION, INSTALL (ENGLISH, FRENCH,SPANISH) (F7715X)	
	2-515-343-21	MANUAL, INSTRUCTION, INSTALL (ENGLISH, GERMAN,FRENCH,ITALIAN) (F7750/F7750S)	
	2-515-343-31	MANUAL, INSTRUCTION, INSTALL (ENGLISH, TRADITIONAL CHINESE) (F7710/F7710S)	
	2-548-729-01	LID, BATTERY CASE (for RM-X152/X154)	
	X-3385-170-1	CASE ASSY (for FRONT PANEL)	

The components identified by mark △ or dotted line with mark △ are critical for safety. Replace only with part number specified.	Les composants identifiés par une marque △ sont critiques pour la sécurité. Ne les remplacer que par une pièce portant le numéro spécifié.
--	--

Ref. No.	Part No.	Description	Remark
PARTS FOR INSTALLATION AND CONNECTIONS			

301	X-3382-647-1	FRAME ASSY, FITTING	
302	X-3366-405-1	SCREW ASSY (EXP), FITTING	(EXCEPT F7715X)
303	3-934-325-01	SCREW (+K 5X8 TP) (F7710/F7710S/F7715X)	
304	3-264-055-01	COLLAR	
305	3-246-471-01	KEY (FRAME)	
306	1-465-459-21	ADAPTOR, ANTENNA (F7750/F7750S)	
307	1-776-207-72	CORD (WITH CONNECTOR) (POWER)	(F7710/F7710S/F7715X)
308	1-776-527-71	CORD (WITH CONNECTOR) (ISO) (POWER)	(F7750/F7750S)

