

BDP-S500

RMT-B101A/B101P

SERVICE MANUAL

Ver. 1.0 2007.09

*US Model
Canadian Model
AEP Model
UK Model
Russian Model
Australian Model*



SPECIFICATIONS

System

Laser: Semiconductor laser

Outputs

(**Jack name:** Jack type/Output level/
Load impedance)

AUDIO OUT L/R:

Phono jack/2 V_{rms}/10 kilohms

DIGITAL OUT (OPTICAL):

Optical output jack/−18 dBm (wave
length 660 nm)

DIGITAL OUT (COAXIAL):

Phono jack/0.5 V_{p-p}/75 ohms

5.1CH OUTPUT:

Phono jack/2 V_{rms}/10 kilohms

HDMI OUT:

HDMI 19-pin standard connector

COMPONENT VIDEO OUT (Y, P_B, P_R):

Phono jack/Y: 1.0 V_{p-p}/P_B, P_R:
progressive or interlace
= 0.7 V_{p-p}/75 ohms

VIDEO: Phono jack/1.0 V_{p-p}/75 ohms

S VIDEO: 4-pin mini DIN/Y:

1.0 V_{p-p}, C: 0.286 V_{p-p}/75 ohms

General

Power requirements:

120 V AC, 60 Hz

Power consumption: 33 W

Dimensions (approx.):

430 × 99.2 × 361 mm (17 × 4 ×
14 1/4 in.) (width/height/depth) incl.
projecting parts

Mass (approx.): 4.8 kg (10 3/4 lb)

Operating temperature:

5 °C to 35 °C (41°F to 95°F)

Operating humidity:

25 % to 80 %

Supplied accessories

- Video cord (phono plug × 1) (1)
- Stereo audio cord (phono plug × 2) (1)
- Power cord (1)
- Remote commander (remote) (1)
- Size AA (R6) batteries (2)
- GNU License Information
(English only) (1)
(Except US, Canadian)

Specifications and design are subject to
change without notice.

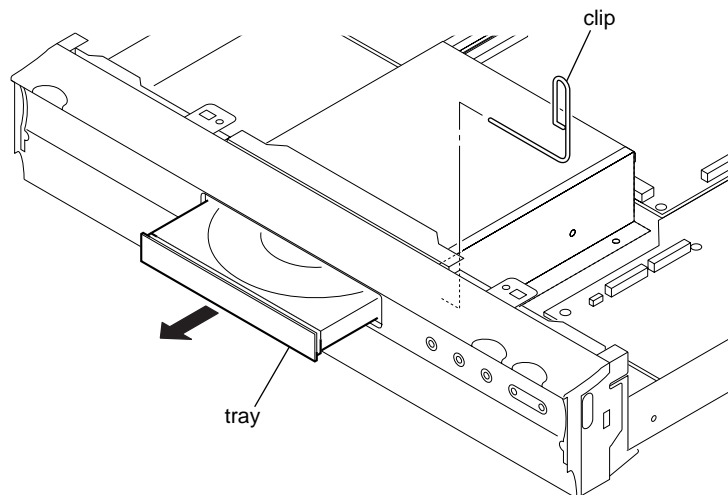
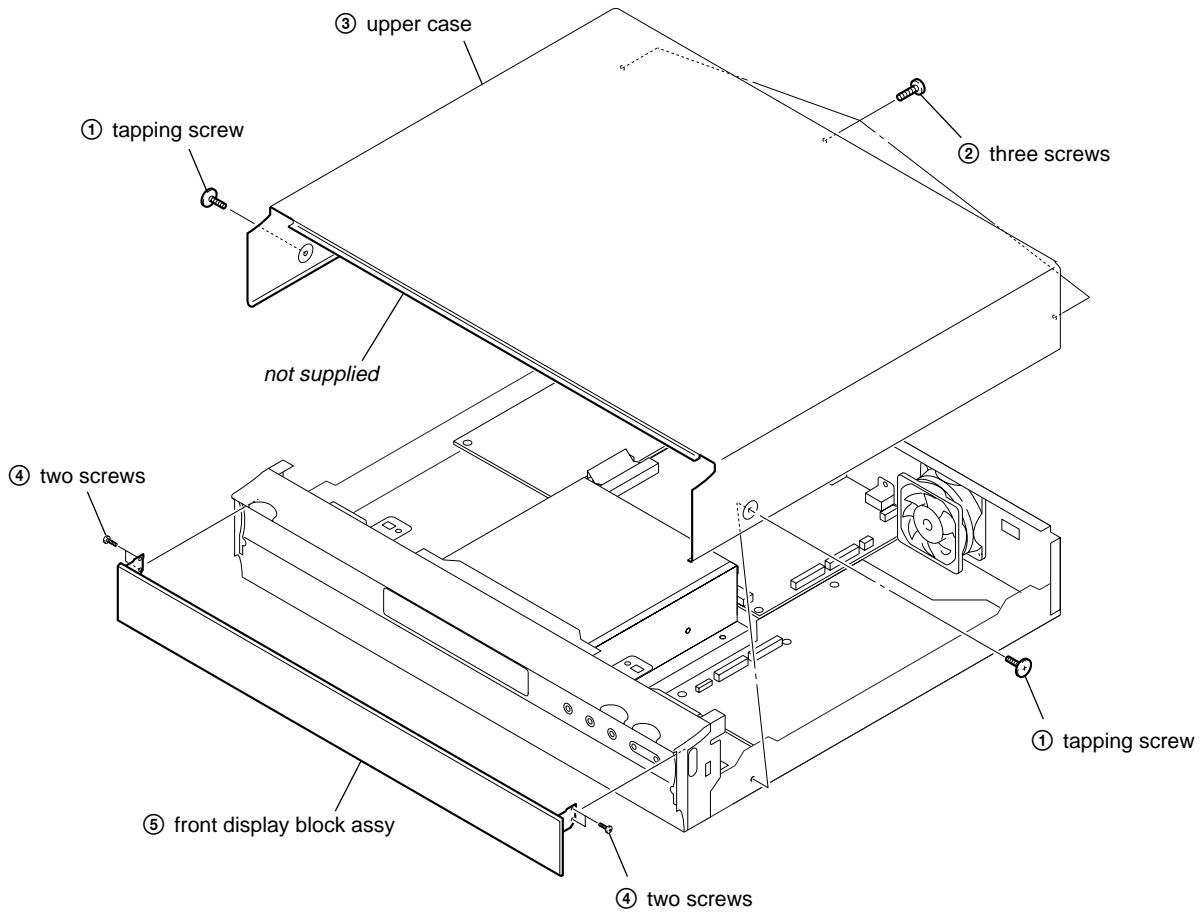


BLU-RAY DISC PLAYER

SONY®

SERVICE NOTE

1. DISK REMOVAL PROCEDURE IF THE TRAY CANNOT BE EJECTED (FORCED EJECTION)



REPAIR PARTS LIST

Ref. No.	Part No.	Description	Remarks
		ACCESSORIES & PACKING MATERIALS *****	
	1-479-848-31	REMOTE COMMANDER (RMT-B101A)	(US, CND)
	1-480-207-21	REMOTE COMMANDER (RMT-B101P)	(AEP, UK, RUS, AUS)
△	1-555-074-52	CORD, POWER (AUS)	
△	1-575-131-82	CORD, POWER (AEP, RUS)	
	1-776-263-22	CORD, CONNECTION	
△	1-823-701-11	CORD, POWER (US, CND)	
△	1-827-269-12	CORD, POWER (UK)	
	3-270-909-11	MANUAL, INSTRUCTION (ENGLISH) (US, CND)	
	3-270-909-21	MANUAL, INSTRUCTION (FRENCH) (CND)	
	3-270-910-11	MANUAL, INSTRUCTION (ENGLISH) (UK, AUS)	
	3-270-910-21	MANUAL, INSTRUCTION (FRENCH) (AEP)	
	3-270-910-31	MANUAL, INSTRUCTION (GERMAN) (AEP)	
	3-270-910-41	MANUAL, INSTRUCTION (ITALIAN) (AEP)	
	3-270-910-51	MANUAL, INSTRUCTION (SPANISH) (AEP)	
	3-270-910-61	MANUAL, INSTRUCTION (DUTCH) (AEP)	
	3-270-910-71	MANUAL, INSTRUCTION (SWEDISH) (AEP)	
	3-270-910-81	MANUAL, INSTRUCTION (RUSSIAN) (RUS)	

<p>The components identified by mark △ or dotted line with mark △ are critical for safety. Replace only with part number specified.</p>	<p>Les composants identifiés par une marque △ sont critiques pour la sécurité. Ne les remplacer que par une pièce portant le numéro spécifié.</p>
---	---

