

# BDP-S300/S301

RMT-B101A/B101P

## SERVICE MANUAL

Ver. 1.1 2007.07

US Model  
Canadian Model  
BDP-S300/S301

AEP Model  
UK Model  
E Model  
Russian Model  
Australian Model  
Singapore Model  
Thai Model  
BDP-S300



Photo: BDP-S300

### SPECIFICATIONS

#### System

**Laser:** Semiconductor laser

#### Outputs

(**Jack name:** Jack type/Output level/  
Load impedance)

#### AUDIO OUT L/R:

Phono jack/2 Vrms/10 kilohms

#### DIGITAL OUT (OPTICAL):

Optical output jack/-18 dBm (wave  
length 660 nm)

#### DIGITAL OUT (COAXIAL):

Phono jack/0.5 Vp-p/75 ohms

#### 5.1CH OUTPUT:

Phono jack/2 Vrms/10 kilohms

#### HDMI OUT:

HDMI 19-pin standard connector

#### COMPONENT VIDEO OUT(Y, /Pb/Cb, Pr/Cr):

Phono jack/Y: 1.0 Vp-p/Pb/Cb, Pr/Cr:  
progressive or interlace  
= 0.7 Vp-p/75 ohms

**VIDEO:** Phono jack/1.0 Vp-p/75 ohms

**S VIDEO:** 4-pin mini DIN/Y:

1.0 Vp-p, C: 0.286 Vp-p/75ohms  
(US, CND)

1.0 Vp-p, C: 0.3 Vp-p (PAL)/Y: 1.0  
Vp-p, C: 0.286 Vp-p (NTSC)/75ohms  
(SP)

1.0 Vp-p, C: 0.3 Vp-p (PAL)/75ohms  
(Except US, CND, SP)

#### General

#### Power requirements:

120 V AC, 60 Hz (US, CND)

110-240 V AC, 50/60 Hz (E32)

220-240 V AC, 50/60 Hz

(Except US, CND, E32)

#### Power consumption: 33 W

#### Dimensions (approx.):

430 × 79 × 375 mm (17 × 3 1/8 ×  
14 7/8 in.) (width/height/depth) incl.  
projecting parts

**Mass (approx.):** 4.5 kg (10 lb)

#### Operating temperature:

5 °C to 35 °C (41°F to 95°F)

#### Operating humidity:

25 % to 80 %

#### Supplied accessories

- Video cord (phono plug × 1) (1)
- Stereo audio cord (phono plug × 2) (1)
- HDMI cord (1)  
(supplied with BDP-S301 only)
- Power cord (1)
- Remote commander (remote) (1)
- Size AA (R6) batteries (2)
- Plug Adaptor (1) (E32)
- GNU License Information (1)  
(Except US, CND)

Specifications and design are subject to  
change without notice.

- Abbreviation  
CND : Canadian model  
E32 : Latin American model  
SP : Singaporean model



AVCHD™

HDMI

BRavia  
Theatre Sync



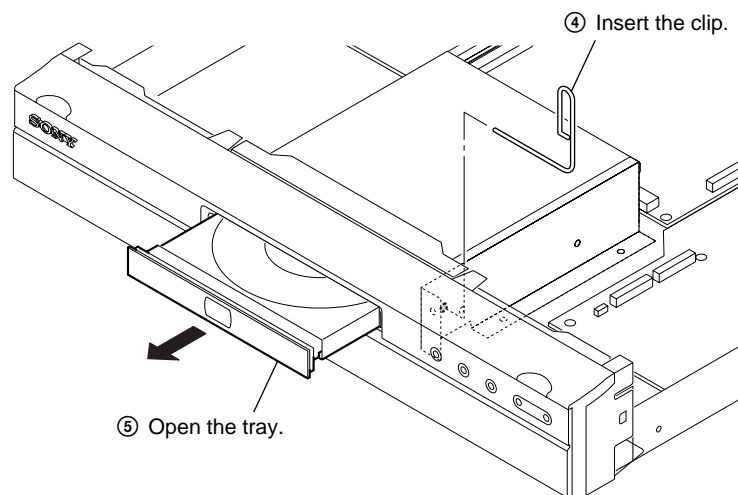
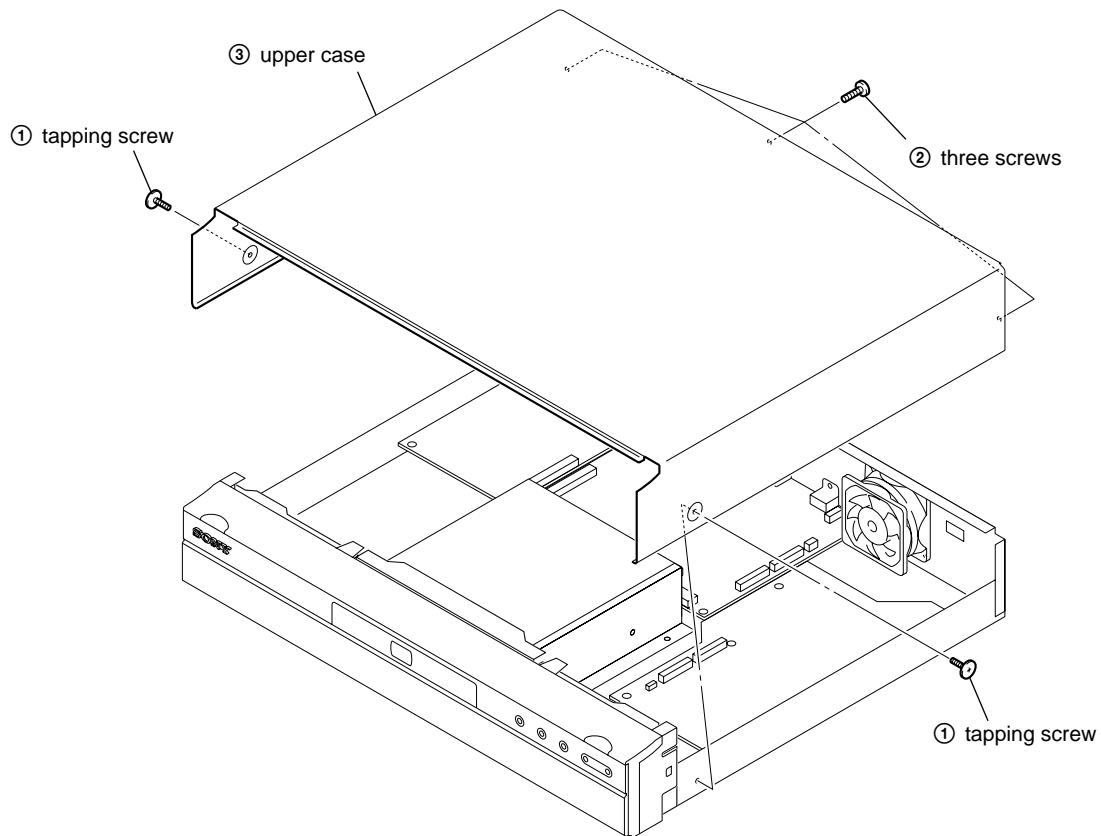
esmertec

BLU-RAY DISC PLAYER

# SONY®

## SERVICE NOTE

### 1. DISK REMOVAL PROCEDURE IF THE TRAY CANNOT BE EJECTED (FORCED EJECTION)



# REPAIR PARTS LIST

Ref. No.	Part No.	Description	Remarks
		ACCESSORIES & PACKING MATERIALS	
		*****	
	1-479-848-31	REMOTE COMMANDER (RMT-B101A) (S300BJ/S300BJP/S300BM: US, CND/ S301BJ/S301BM)	
	1-479-848-41	REMOTE COMMANDER (RMT-B101A) (S300BM: E32)	
	1-480-207-21	REMOTE COMMANDER (RMT-B101P) (S300BM: AEP, UK, RUS, SP, TH, AUS)	
△	1-555-074-52	CORD, POWER (S300BM: AUS)	
△	1-569-008-22	ADAPTOR, CONVERSION 2P (S300BM: E32)	
△	1-575-131-82	CORD, POWER (S300BM: AEP, RUS, E32, SP)	
△	1-776-263-22	CORD, CONNECTION	
△	1-823-701-11	CORD, POWER (S300BJ/S300BJP/S300BM: US, CND/ S301BJ/S301BM)	
△	1-827-269-12	CORD, POWER (S300BM: UK)	
	1-834-169-11	CORD, CONNECTION (HDMI CABLE) (S301BJ/S301BM)	
	1-834-539-11	CORD, POWER (S300BM: TH)	
	3-196-787-11	MANUAL, INSTRUCTION (ENGLISH) (S300BJ: CND/S300BJP/S301BJ)	
	3-196-787-21	MANUAL, INSTRUCTION (FRENCH) (S300BJ: CND)	
	3-212-651-11	MANUAL, INSTRUCTION (ENGLISH) (S300BJ: US)	
	3-214-290-11	MANUAL, INSTRUCTION (ENGLISH) (S300BM: US, CND/S301BM)	
	3-214-290-21	MANUAL, INSTRUCTION (FRENCH) (S300BM/S301BM: CND)	
	3-214-800-11	MANUAL, INSTRUCTION (ENGLISH) (S300BM: UK)	
	3-214-800-21	MANUAL, INSTRUCTION (FRENCH) (S300BM: AEP)	
	3-214-800-31	MANUAL, INSTRUCTION (GERMAN) (S300BM: AEP)	
	3-214-800-41	MANUAL, INSTRUCTION (ITALIAN) (S300BM: AEP)	
	3-214-800-51	MANUAL, INSTRUCTION (SPANISH) (S300BM: AEP)	
	3-214-800-61	MANUAL, INSTRUCTION (DUTCH) (S300BM: AEP)	
	3-214-800-71	MANUAL, INSTRUCTION (SWEDISH) (S300BM: AEP)	
	3-214-800-81	MANUAL, INSTRUCTION (RUSSIAN) (S300BM: RUS)	
	3-214-801-11	MANUAL, INSTRUCTION (ENGLISH) (S300BM: SP, TH, AUS)	
	3-214-801-21	MANUAL, INSTRUCTION (SPANISH) (S300BM: E32)	

The components identified by mark △ or dotted line with mark △ are critical for safety. Replace only with part number specified.

Les composants identifiés par une marque △ sont critiques pour la sécurité. Ne les remplacer que par une pièce portant le numéro spécifié.



