

# BDP-S2000ES

RMT-B101A

## SERVICE MANUAL

Ver. 1.0 2007.09

US Model  
Canadian Model



### SPECIFICATIONS

#### System

**Laser:** Semiconductor laser

#### Outputs

(**Jack name:** Jack type/Output level/Load impedance)

#### AUDIO OUT L/R:

Phono jack/2 V<sub>rms</sub>/10 kilohms

#### DIGITAL OUT (OPTICAL):

Optical output jack/-18 dBm (wave length 660 nm)

#### DIGITAL OUT (COAXIAL):

Phono jack/0.5 V<sub>p-p</sub>/75 ohms

#### 5.1CH OUTPUT:

Phono jack/2 V<sub>rms</sub>/10 kilohms

#### HDMI OUT:

HDMI 19-pin standard connector

#### COMPONENT VIDEO OUT(Y, Pb, Pr):

Phono jack/Y: 1.0 V<sub>p-p</sub>/Pb, Pr: progressive or interlace  
= 0.7 V<sub>p-p</sub>/75 ohms

**VIDEO:** Phono jack/1.0 V<sub>p-p</sub>/75 ohms

#### S VIDEO:

4-pin mini DIN/Y:  
1.0 V<sub>p-p</sub>, C: 0.286 V<sub>p-p</sub>/75 ohms

#### General

#### Power requirements:

120 V AC, 60 Hz

#### Power consumption: 33 W

#### Dimensions (approx.):

430 × 105 × 362 mm (17 × 4 1/4 × 14 3/8 in.) (width/height/depth)  
incl. projecting parts

#### Mass (approx.): 7.6 kg (16 3/4 lb)

#### Operating temperature:

5 °C to 35 °C (41°F to 95°F)

#### Operating humidity:

25 % to 80 %

#### Supplied accessories

- Video cord (phono plug × 1) (1)
- Stereo audio cord (phono plug × 2) (1)
- Power cord (1)
- Remote commander (remote) (1)
- Size AA (R6) batteries (2)

Specifications and design are subject to change without notice.

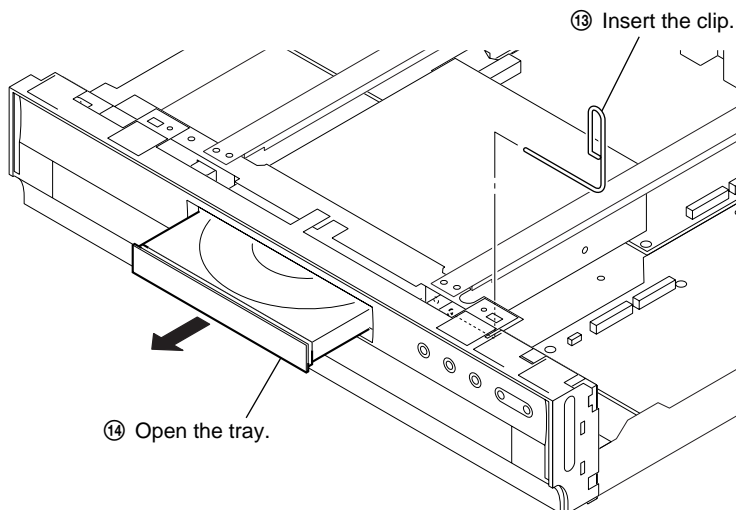
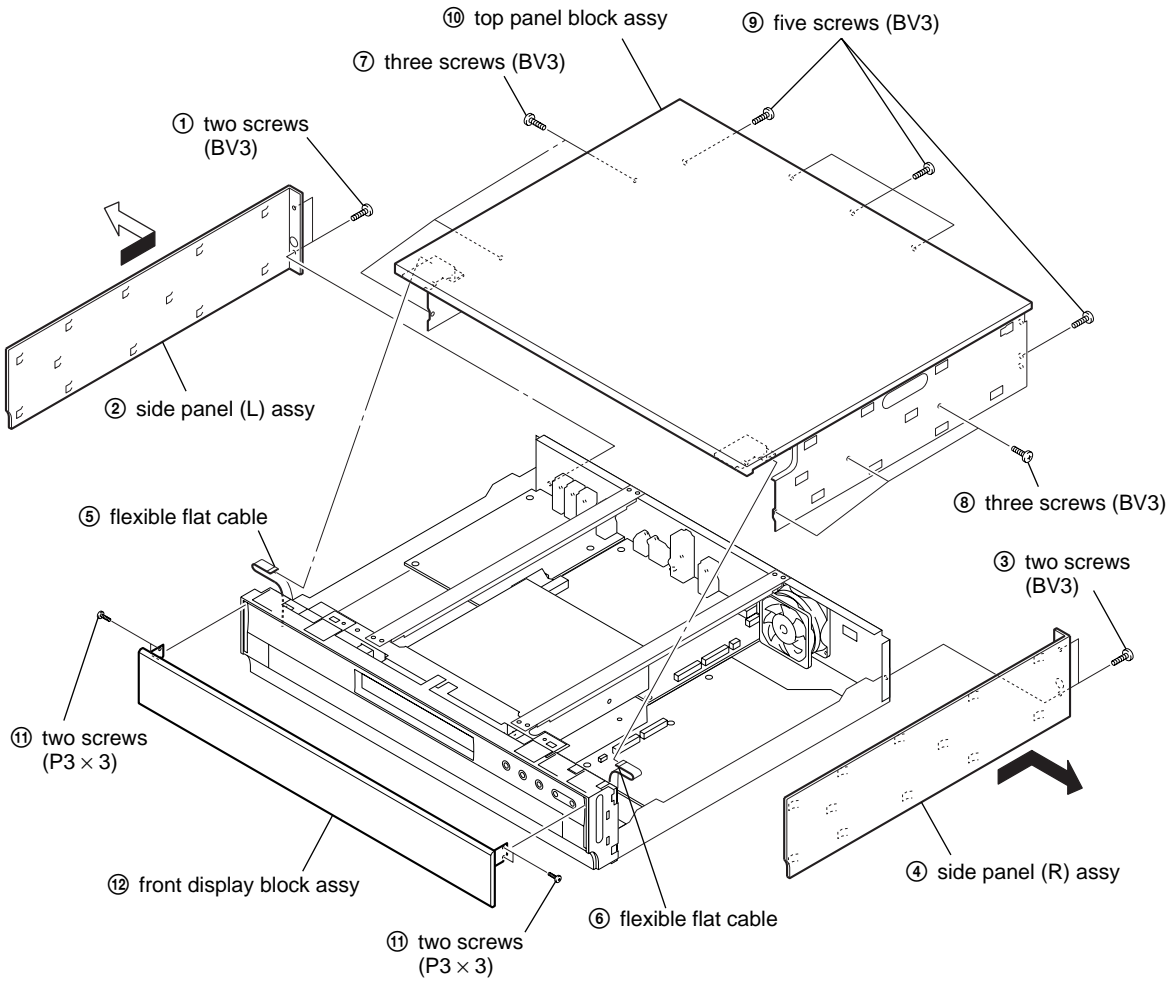


BLU-RAY DISC PLAYER

# SONY®

# SERVICE NOTE

## 1. DISK REMOVAL PROCEDURE IF THE TRAY CANNOT BE EJECTED (FORCED EJECTION)



# REPAIR PARTS LIST

Ref. No.	Part No.	Description	Remarks
		ACCESSORIES & PACKING MATERIALS	
		*****	
	1-479-848-31	REMOTE COMMANDER (RMT-B101A)	
	1-776-263-22	CORD, CONNECTION	
△	1-834-381-21	CORD, POWER	
	3-270-912-11	MANUAL, INSTRUCTION (ENGLISH)	
	3-270-912-21	MANUAL, INSTRUCTION (FRENCH)	

<p>The components identified by mark △ or dotted line with mark △ are critical for safety. Replace only with part number specified.</p>	<p>Les composants identifiés par une marque △ sont critiques pour la sécurité. Ne les remplacer que par une pièce portant le numéro spécifié.</p>
---	---



