

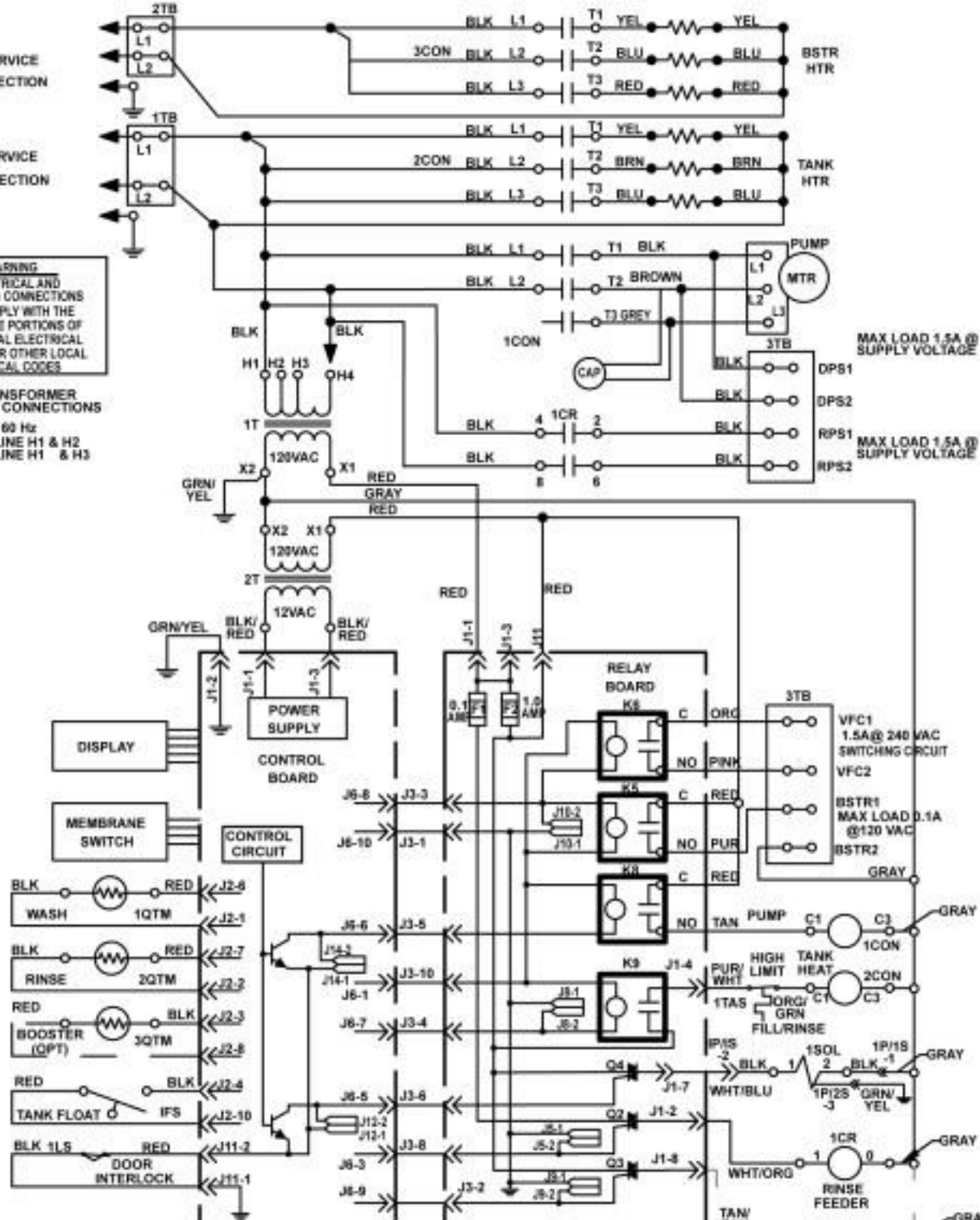
SERVICE CONNECTION

SERVICE CONNECTION

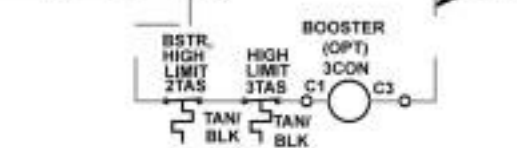
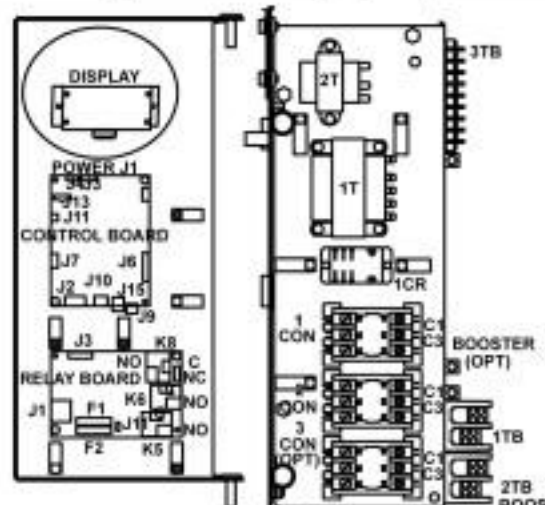
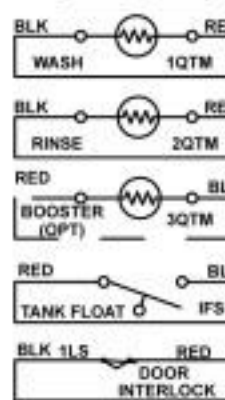
**WARNING**  
ELECTRICAL AND GROUNDING CONNECTIONS MUST COMPLY WITH THE APPLICABLE PORTIONS OF THE NATIONAL ELECTRICAL CODE AND/OR OTHER LOCAL ELECTRICAL CODES

IT TRANSFORMER PRIMARY CONNECTIONS

60 Hz  
208V - LINE H1 & H2  
240V - LINE H1 & H3



MAX LOAD 1.5A @ SUPPLY VOLTAGE  
MAX LOAD 1.5A @ SUPPLY VOLTAGE



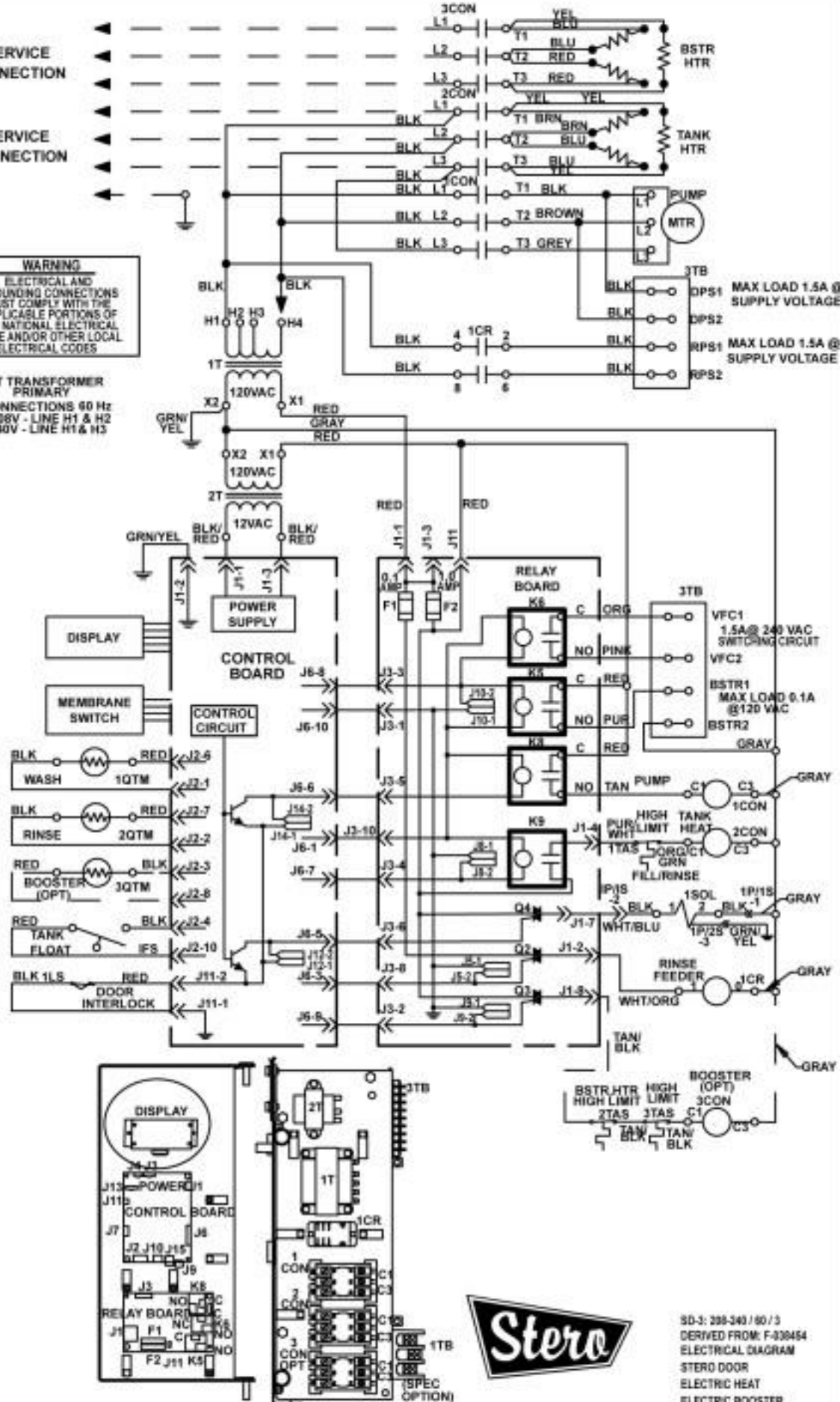
SD-3: 208-240 / 60 / 1  
DERIVED FROM: F-038453  
ELECTRICAL DIAGRAM  
STERO DOOR  
ELECTRIC HEAT  
ELECTRIC BOOSTER  
1 PHASE

SERVICE CONNECTION

SERVICE CONNECTION

**WARNING**  
ELECTRICAL AND GROUNDING CONNECTIONS MUST COMPLY WITH THE APPLICABLE PORTIONS OF THE NATIONAL ELECTRICAL CODE AND/OR OTHER LOCAL ELECTRICAL CODES

IT TRANSFORMER PRIMARY CONNECTIONS 60 Hz 288V - LINE H1 & H2 240V - LINE H1 & H3



SD-3: 288-240 / 60 / 3  
DERIVED FROM: F-336454  
ELECTRICAL DIAGRAM  
STERO DOOR  
ELECTRIC HEAT  
ELECTRIC BOOSTER