

## 8. Exploded Views and Parts List

8.1 Main Ass'y Exploded view .....	page(8-2)
8.2 OPE & Platen Cover Ass'y (1) Exploded view .....	page(8-6)
OPE & Platen Cover Ass'y (2) Exploded view .....	page(8-9)
8.3 DADF Assembly Exploded view .....	page(8-12)
8.4 Platen Cover Ass'y Exploded view .....	page(8-14)
8.5 DADF SUB Ass'y Exploded view .....	page(8-16)
8.6 Side Cover Ass'y Exploded view .....	page(8-19)
8.7 Cassette Ass'y Exploded view .....	page(8-21)
8.8 Exit Ass'y Exploded view .....	page(8-23)
8.9 Feeder Ass'y Exploded view .....	page(8-25)
8.10 MP Ass'y Exploded view .....	page(8-27)
8.11 Base Frame Exploded view .....	page(8-29)
8.12 Pick-up Ass'y Exploded view .....	page(8-31)
8.13 Drive Ass'y Exploded view .....	page(8-33)
8.14 Main Frame Ass'y Exploded view .....	page(8-35)
8.15 FuserAss'y Exploded view .....	page(8-37)
8.16 SCF Exploded view .....	page(8-39)

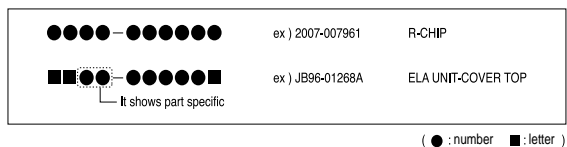
- Exploded drawings and service parts lists are given for items which may be expected to have a higher failure rate.
- Where a failure occurs you can identify the part in the exploded diagram and, using the parts cross reference number, refer to the appropriate parts list to identify the part number.

Note : Parts numbers given here are correct at the time of publication.  
When ordering parts please use the on-line ordering system to check if there have been any changes to part numbers.

### Part Number & Description format.

Part numbers and descriptions are defined according to a company standard. The information below will help you to understand the part number format and assist when ordering spare parts.

- There are two types of Part number format.



**Type 1** : This format is used throughout Samsung on all product ranges. Typically it is used for small components and electronic parts.

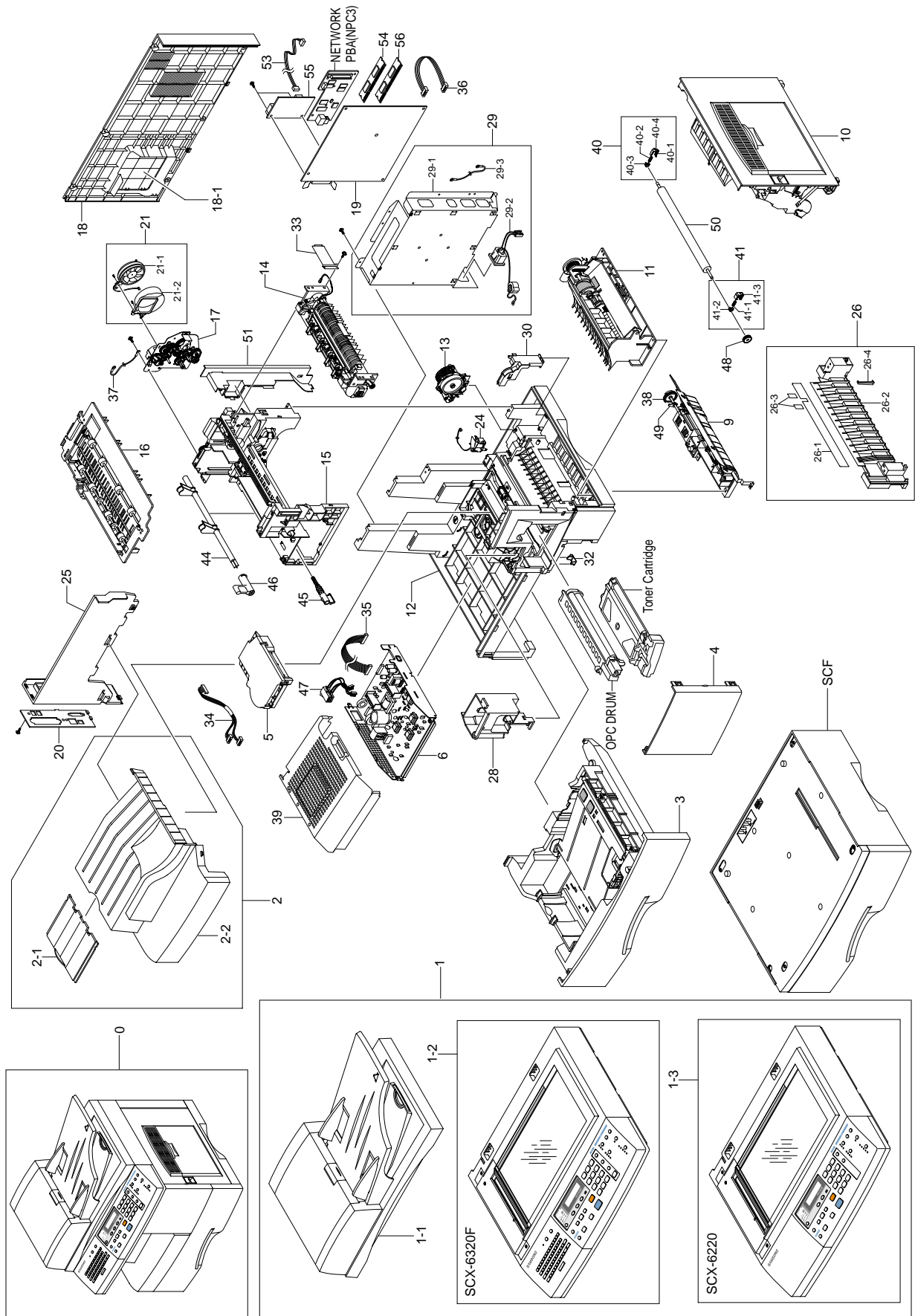
**Type 2** : This format is controlled by individual Samsung Divisions and is used on specific products, typically for mechanical parts. Type 2 format part numbers fall into 2 categories:

- **A/S privately used part** : It is only used for A/S .
- **Ass'y part** : Assemblies consisting of 2 or more parts. Also used for Service manuals, user guides and diagrams.

• Ass'y parts and A/S privately used Parts can be distinguished by the part Code and Description. They are always Type 2 format. The 2 leading characters indicate private or assembly parts.

DIVISION	PART CODE	DESCRIPTION
A/S Private	**81-***** (JB81-00039A)	AS-***** (AS-USE)
ASSY Part	**75-***** (JB75-00068A)	MEC-***** (MEC-CHUTE)
ASSY Part	**92-***** (JB92-01131A)	PBA ***** (PBA MAIN-CONTROLLER)
ASSY Part	**97-***** (JB97-01089A)	MEA ***** (MEA UNIT-PULLEY IDLE)

# 8.1 Main Assembly



## Main Assembly Parts List

SA : Service Available

O : Service available X : Service not available

No.	Description	SEC.Code	Q'ty	SA	Remark
0	SET	SCX-6320F			
	SET	SCX-6220			
1	ELA HOU-SCANNER ASS'Y	JC96-03165B	1	O	SCX-6320F
	ELA HOU-SCANNER ASS'Y	JC96-03217B	1	O	SCX-6220
1-1	ELA HOU-DADF	JC96-02943A	1	O	
1-2	ELA HOU-PLATEN	JC96-03164B	1	X	SCX-6320F
1-3	ELA HOU-PLATEN	JC96-03207B	1	X	SCX-6220
2	MEA UNIT-COVER PA EXIT ASS'Y	JC97-01556B	1	O	
2-1	PMO-TRAY EXTENTION MP NE	JC72-00354B	1	O	
2-2	PMO-COVER PAPER EXIT	JC72-00786B	1	O	
3	MEA UNIT-CASSETTE	JC97-01736A	1	O	USA Ver.
	MEA UNIT-CASSETTE	JC97-01736B	1	O	Europe Ver.
4	MEA UNIT-COVER FRONT ASS'Y	JC97-01572B	1	O	
5	UNIT-LSU	JC59-00014C	1	O	
6	PBA POWER SMPS_110V	JC44-00065A	1	O	110V
	PBA POWER SMPS_220V	JC44-00066A	1	O	220V
9	ELA HOU-PICK UP	JC96-02715B	1	O	
10	ELA HOU-SIDE COVER ASS'Y	JC96-02183C	1	O	
11	ELA HOU-MP ASS'Y	JC96-02182A	1	O	
12	ELA HOU-BASE FRAME ASS'Y	JC96-02958A	1	O	SCX-6320F
	ELA HOU-BASE FRAME ASS'Y	JC96-02958B	1	O	SCX-6220
13	MEA UNIT-FEED ROLLER	JC97-01850A	1	O	
14	ELA HOU-FUSER(110V)E-COIL	JC96-03021A	1	O	110V
	ELA HOU-FUSER(220V)E-COIL	JC96-03022A	1	O	220V
15	ELA HOU-FRAME MAIN ASS'Y	JC96-02959A	1	O	
16	MEC-UNIT-EXIT ASS'Y	JC97-01643B	1	O	
17	ELA HOU-ENGINE DRIVE(MCK2)	JC96-02957A	1	O	
18	MEA UNIT-REAR COVER	JC97-01851A	1	O	
18-1	COVER MAIN REAR	JC63-00191A	1	O	
18-2	LABEL-GUIDE DIMM	JC68-01354A	1	X	
19	PBA MAIN-MFP	JC92-01482B	1	O	SCX-6320F
	PBA MAIN COPLER	JC92-01483B	1	O	SCX-6220
20	COVER-M PANNEL MFP	JC63-00539A	1	O	SCX-6320F
	COVER-M PANNEL MFP DOM	JC63-00539B	1	O	SCX-6220
21	ELA HOU-DUCT FAN	JC96-02311A	1	O	
21-1	FAN-DC	JC31-00012A	1	O	
21-2	PMO-DUCT FAN	JC72-00807A	1	O	
24	SOLENOID-PICK UP	JC33-00007A	1	O	
25	PMO-COVER EXIT REAR	JC72-00790A	1	O	

## Main Assembly Parts List

SA : Service Available  
 O : Service available X : Service not available

No.	Description	SEC.Code	Q'ty	SA	Remark
26	MEA UNIT GUIDE CST PA ASS'Y	JC97-01624A	1	O	
26-1	PMO-SHEET GUIDE PAPER	JC72-00836A	1	O	
26-2	PMO-GUIDE CASSETTE RAIL	JC72-00791A	1	O	
26-3	SHEET FEED	JC63-00078A	2	X	
26-4	IPR-GUIDE CST PAPER	JC70-00244A	1	O	
28	PMO-DUMMY BASE FRAME	JC72-00789A	1	O	
29	ELA HOU-SHIELD MAIN LOWER	JC96-02962A	1	O	
29-1	SHIELD-P_MAIN LOWER	JC63-00316A	1	X	
29-2	CBF HARNESS-INLET	JC39-00186A	1	O	
29-3	CBF HARNESS-LIU GND	JC39-00103A	1	O	
30	PMO-COVER FEED AY	JC72-00801A	1	O	
32	PMO-GUIDE PAPER OUT	JC72-00835A	1	O	
33	COVER SHEET CONNECTOR	JC63-00072A	1	O	
34	CBF HARNESS-LSU	JC39-00336A	1	O	
35	CBF HARNESS SMPS	JC39-00339A	1	O	
36	CBF HARNESS-LIU	JC39-00347A	1	O	
37	CBF HARNESS-LIU GND	JB39-00103A	2	O	
38	GEAR-PICK_UP	JC66-00335A	1	O	
39	IPR-SHIELD SMPS UPPER	JC70-00248A	1	O	
40	MEA UNIT-HOLD GEAR ASSY	JC97-01573A	1	O	
40-1	SPRING ETC-TRR	JC61-70906A	1	O	
40-2	PMO-BUSH	JC72-40228A	1	O	
40-3	PMO-HOLDER GEAR TR	JC72-00884A	1	O	
40-4	PMO-HOLDER GND TR	JC72-00883A	1	O	
41	MEA UNIT-HOLD GND ASSY	JC97-01574A	1	O	
41-1	SPRING ETC-PLATE TR	JC61-70203A	1	X	
41-2	SPRING ETC-TR_L	JC61-70961A	1	O	
41-3	PMO-BUSH	JC72-40228A	1	O	
42	SUPPORTER	6103-001048	2	O	
43	PMO-BEARING SHAFT	JC72-41191A	1	O	
41	MEA UNIT-HOLD GEAR ASSY	JC97-01573A	1	O	
41-1	SPRING ETC-TRR	JC61-70906A	1	O	
41-2	PMO-BUSH	JC72-40228A	1	O	
41-3	PMO-HOLDER GEAR TR	JC72-00884A	1	O	
42	SUPPORTER	6103-001048	2	O	
43	PMO-BEARING SHAFT	JC72-41191A	1	O	
44	PMO-CAM JAM REMOVE	JC72-00799A	1	O	
45	PMO-LOCKER DEVE	JC72-00805A	1	O	
46	PMO-LEVER JAM REMOVE	JC72-00804A	1	O	

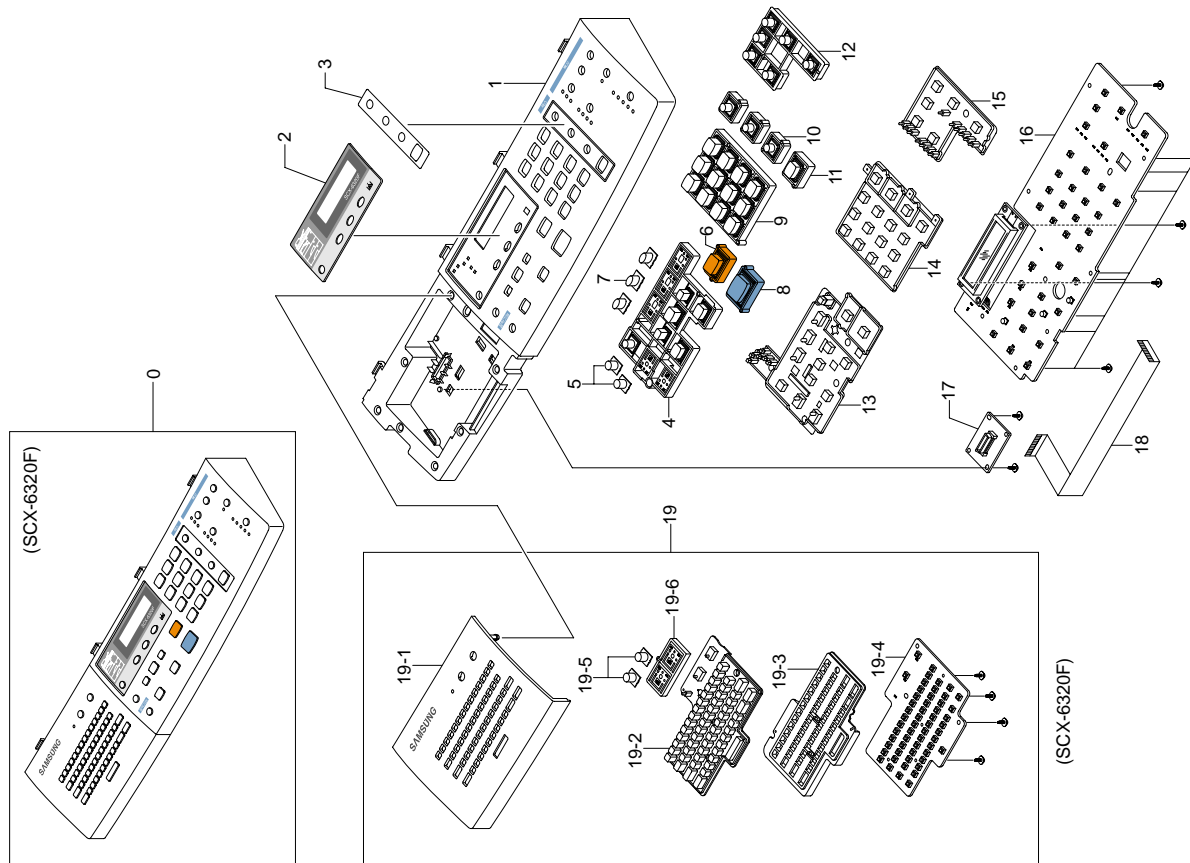
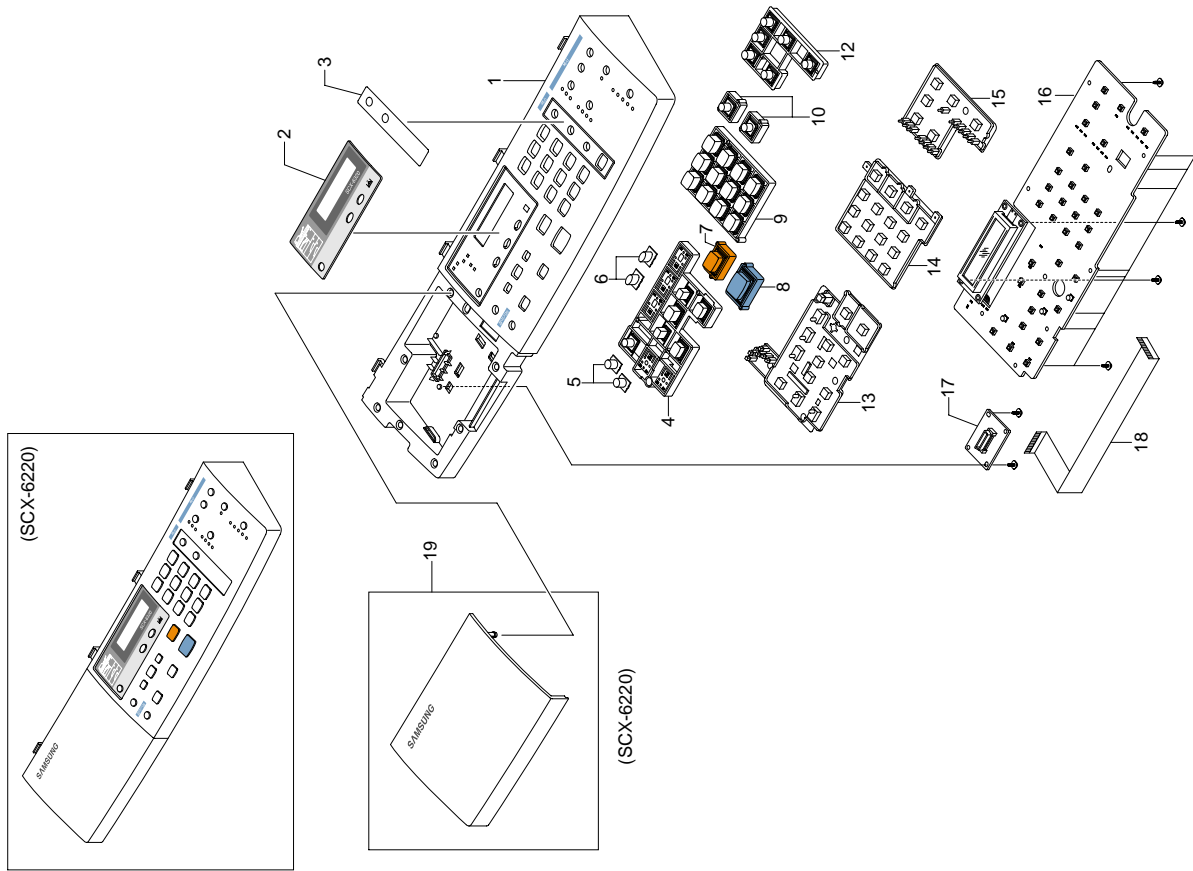
## Main Assembly Parts List

SA : Service Available

O : Service available X : Service not available

No.	Description	SEC.Code	Q'ty	SA	Remark
47	CBF POWER STITCH GRAY	JC39-00055B	1	O	
48	GEAR TRANSFER	JC66-40947A	1	O	
49	PMO-BEARING SHAFT	JC72-41191A	2	O	
50	MEC-TRANSFER-ROLLER	<a href="#">JC75-00148A</a>	1	O	
51	COVER BRACKET MOTOR	JC72-00834A	1	O	
53	CBF HARNESS-LIU	JC39-00347A	1	O	
54	PBA SUB-SDRAM DIMM (16MB)	JC92-01405F	1	O	SCX-6320F
55	PBA SUB-LIU	JC92-01587A	1	O	U.S.A, G4
	PBA SUB-LIU	JC92-01587B	1	O	U.K, G1
	PBA SUB-LIU	JC92-01587C	1	O	Russia, G2
	PBA SUB-LIU	JC92-01587D	1	O	Poland, G3
56	PBA ETC-PS-DIMM	JC92-01580A	1	O	SCX-6320F
58	COVER REAR DUMMY	JC63-00192A	1	O	

## 8.2 OPE & Platen Cover Ass'y (1)



## OPE & Platen Cover Ass'y Exploded View & Parts List(1)

SA : Service Available

O : Service available X : Service not available

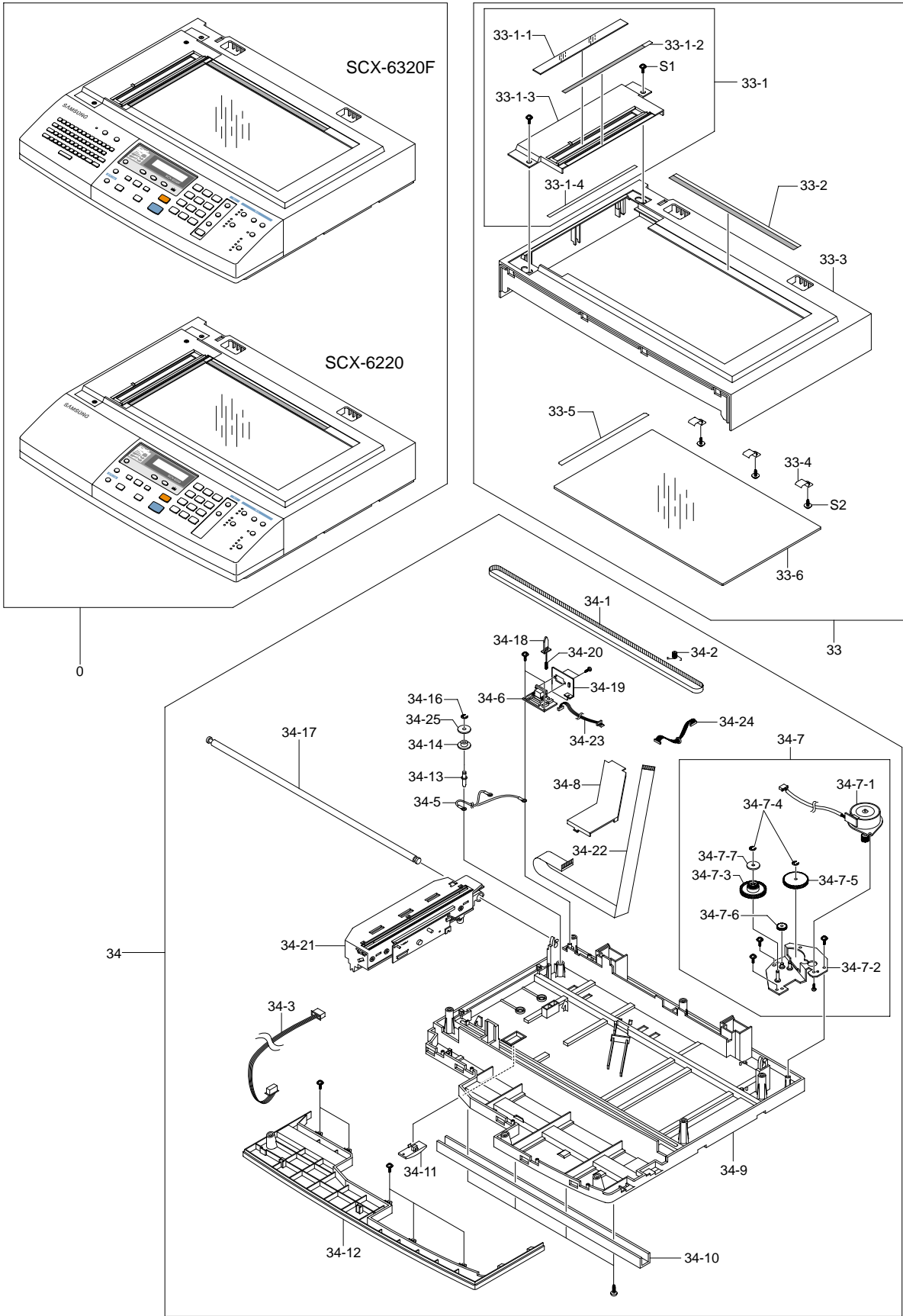
SCX-6320F

No.	Description	SEC.Code	Q'ty	SA	Remark
0	ELA HOU-OPE COVER_MC2	JC96-03166B	1	O	
1	COVER-M_OPE DOM	JC63-00536B	1	X	
2	WINDOW-LCD A	JC64-00159B	1	O	
3	SHEET-PHONEBOOK	JC63-00534B	1	X	
4	KEY-M-ENTER DOM	JC64-00164A	1	X	
5	INDICATOR-M-TONER SAVE	JC64-00168A	2	X	
6	KEY-M-STOP DOM	JC64-00162A	1	X	
7	INDICATOR-M-COPY DOM	JC64-00167A	3	X	
8	KEY-M-START DOM	JC64-00161A	1	X	
9	KEY-M-TEL DOM	JC64-00165A	1	X	
10	KEY-M-PAUSE DOM	JC64-00169A	3	X	
11	KEY-M-HO DIAL DOM	JC64-00170A	1	X	
12	KEY-M-DUPLEX DOM	JC64-00163A	1	X	
13	RUBBER-ENTER DOM	JC73-00196A	1	O	
14	RUBBER-TEL DOM	JC73-00197A	1	O	
15	RUBBER-DUPLEX DOM	JC73-00198A	1	O	
16	PBA SUB-OPE_SEC	JC92-01552B	1	O	
17	PBA SUB-OPE_JOINT	JC92-01553B	1	O	
18	CBF SIGNAL-OPE_SEC	JC39-00392A	1	X	
19	ELA HOU-EMAIL(MC2)	JC96-03163A	1	X	
19-1	COVER-M_EMAIL DOM	JC63-00538A	1	X	
19-2	RUBBER-KEY BOARD DOM	JC73-00195A	1	O	
19-3	PLATE-M-KEY BOARD DOM	JC61-00971A	1	X	
19-4	PBA SUB-EMAIL_SEC	JC92-01557B	1	O	
19-5	INDICATOR-M-TONER SAVE	JC64-00168A	2	X	
19-6	KEY-M-NETWORK DOM	JC64-00166A	1	X	
S	SCREW-TAPTITE	6003-000196	12	X	

## SCX-6220

No.	Description	SEC.Code	Q'ty	SA	Remark
0	ELA HOU-OPE_2IN1	JC96-03208B	1	X	
1	COVER-M_OPE DOM	JC63-00556B	1	X	
2	WINDOW-LCD B	JC64-00160B	1	O	
3	SHEET-SUPPRESS	JC63-00535B	1	X	
4	KEY-M-ENTER DOM	JC64-00164A	1	X	
5	INDICATOR-M-TONER SAVE	JC64-00168A	2	X	
6	INDICATOR-M-COPY DOM	JC64-00167A	2	X	
7	KEY-M-STOP DOM	JC64-00162A	1	X	
8	KEY-M-START DOM	JC64-00161A	1	X	
9	KEY-M-TEL DOM	JC64-00165A	1	X	
10	KEY-M-PAUSE DOM	JC64-00169A	2	X	
12	KEY-M-DUPLEX DOM	JC64-00163A	1	X	
13	RUBBER-ENTER DOM	JC73-00196A	1	O	
14	RUBBER-TEL DOM	JC73-00197A	1	O	
15	RUBBER-DUPLEX DOM	JC73-00198A	1	O	
16	PBA SUB-OPE_SEC	JC92-01552B	1	O	
17	PBA SUB-OPE_JOINT	JC92-01553B	1	O	
18	CBF SIGNAL-OPE_SEC	JC39-00392A	1	X	
19	COVER-M-DUMMY DOM	JC63-00537A	1	X	
S	SCREW-TAPTITE	6003-000196	12	X	

## 8.2 OPE & Platen Cover Ass'y (2)



## OPE &amp; Platen Cover Ass'y Exploded View &amp; Parts List(2)

SA : Service Available  
 O : Service available X : Service not available

No.	Description	SEC.Code	Q'ty	SA	Remark
0	ELA HOU-PLATEN ASS'Y	JC96-03164B	1	X	SCX-6320F
	ELA HOU-PLATEN_21N1	JC96-03207B	1	X	SCX-6220
33	ELA HOU-SCAN UPPER	JC96-02712B	1	O	
33-1	A/S MATERIAL-DUMMY UPPER ASS'Y	JC81-00426B	1	O	
33-1-1	MCT-GLASS ADF	JC74-00019A	1	O	
33-1-2	LABEL(L)-REGISTRATION EDGE (L)	JB68-00469A	1	O	
33-1-3	PMO-DUMMY UPPER	JC72-00759B	1	O	
33-1-4	SHEET-DUMMY UPPER	JC63-00074A	1	O	
33-2	PPR-REGISTRATION EDGE(F)	JC72-00809B	1	O	
33-3	PMO-COVER SCAN UPPER	JC72-00758A	1	O	
33-4	IPR-HOLDER GLASS	JB70-00148A	3	O	
33-5	LABEL(P)-SHEET SHADING	JB68-00749A	1	X	
33-6	MCT-GLASS SCANNER(LEGAL)	JC74-00018A	1	O	
34	ELA HOU-SCAN LOWER	JC96-02936A	1	O	
34-1	BELT-TIMING GEAR	6602-001090	1	O	
34-2	SPRING ETC-BELT	JB61-00059A	1	O	
34-3	CBF HARNESS-OPE	JC39-00340A	1	O	
34-5	CBF HARNESS-DRIVER GND	JB39-00065A	2	X	
34-6	PBA SUB-D_SUB	JC92-01555A	1	O	
34-7	ELA HOU-SCAN MOTOR	JC96-02751A	1	O	
34-7-1	MOTOR STEP-SCAN	JB31-00011A	1	O	
34-7-2	BRACKET-MOTOR PLATEN	JC61-00702A	1	X	
34-7-3	GEAR-TIMING	JC66-00531A	1	O	
34-7-4	RING-E	6044-000125	2	O	
34-7-5	GEAR-REDUCTION73/37	JC66-00530A	1	O	
34-7-6	GEAR-IDLE	JB66-00083A	1	O	
34-7-7	PMO-HOLDER BELT	JB72-00764A	1	O	
34-8	COVER-M-CCD CABLE	JC63-00158A	1	O	
34-9	COVER-SCAN LOWER(UMAX)	JC63-00157A	1	O	
34-10	IPR-CHANNEL BASE FRAME	JC70-00239A	2	O	
34-11	HOLDER-M-CCD(UMAX)	JC61-00703A	1	O	
34-12	PMO-COVER DUMMY LOWER	JC72-00753A	1	O	
34-13	ICT-INSERT SHAFT	JB70-00154A	1	X	
34-14	PMO-PULLEY	JB72-00763A	1	O	
34-15	WASHER PRAIN	6003-001256	1	X	
34-16	RING-E	6044-000125	1	O	
34-17	SHAFT-CCD(UMAX)	JC66-00532A	1	O	
34-18	PMO-LEVER SENSOR	JC72-00755A	1	O	

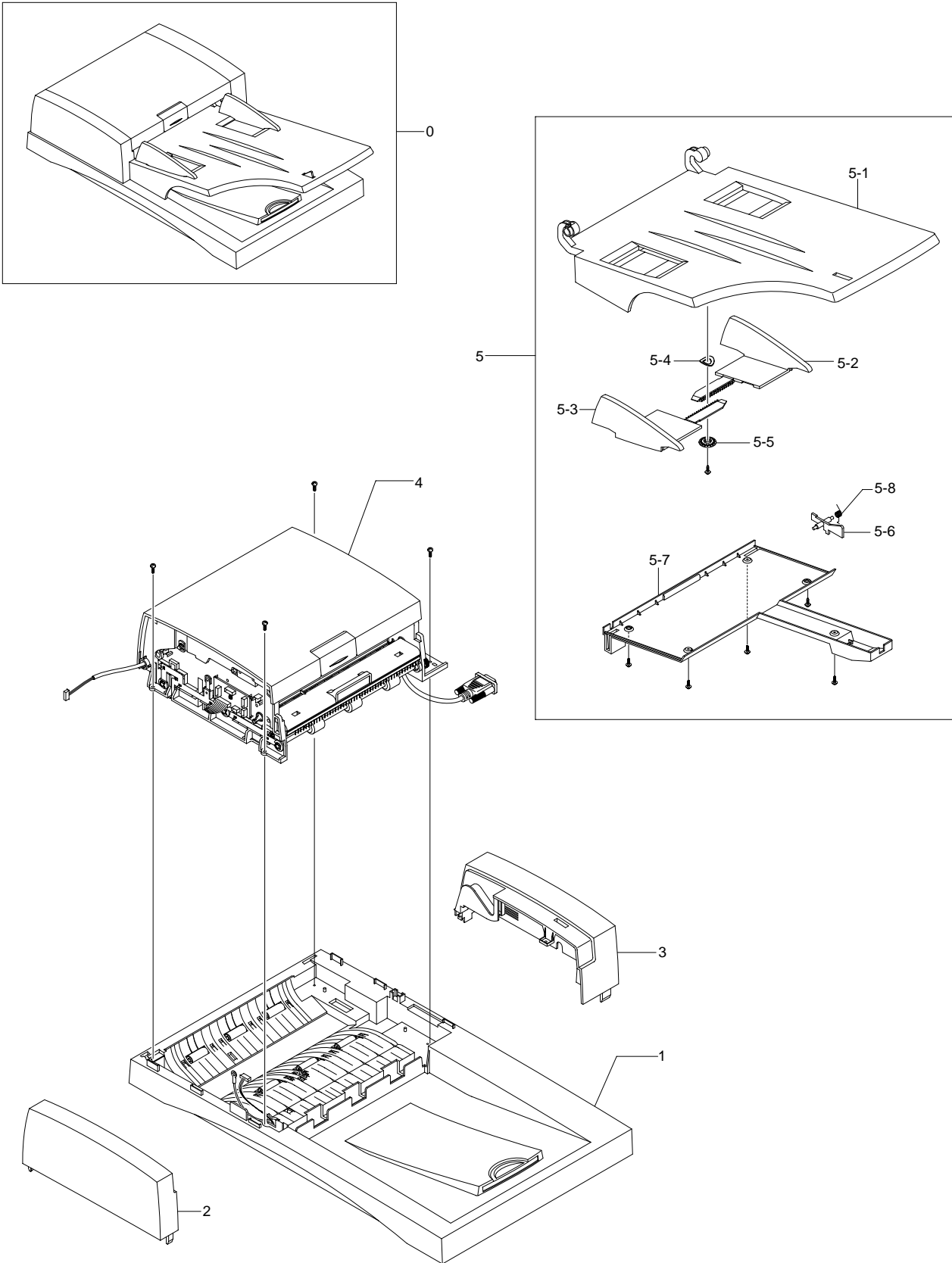
## OPE & Platen Cover Ass'y Exploded View & Parts List(2)

SA : Service Available

O : Service available X : Service not available

No.	Description	SEC.Code	Q'ty	SA	Remark
34-19	IPR-BRK SCAN BD	JC70-00228A	1	O	
34-20	SPRING ETC-EXIT	JB61-70939A	1	X	
34-21	ELA HOU-CCD MODULE	JC96-02759B	1	O	
34-22	CBF SIGNAL-CCD FFC	JC39-00236A	1	O	
34-23	CBF HARNESS-SCAN MOTOR	JC39-00077A	1	O	
34-24	CBF HARNESS-SCAN DSUB	JC39-00338A	1	O	
34-25	PMO-HOLDER BELT	JB72-00764A	1	O	

### 8.3 DADF Ass'y



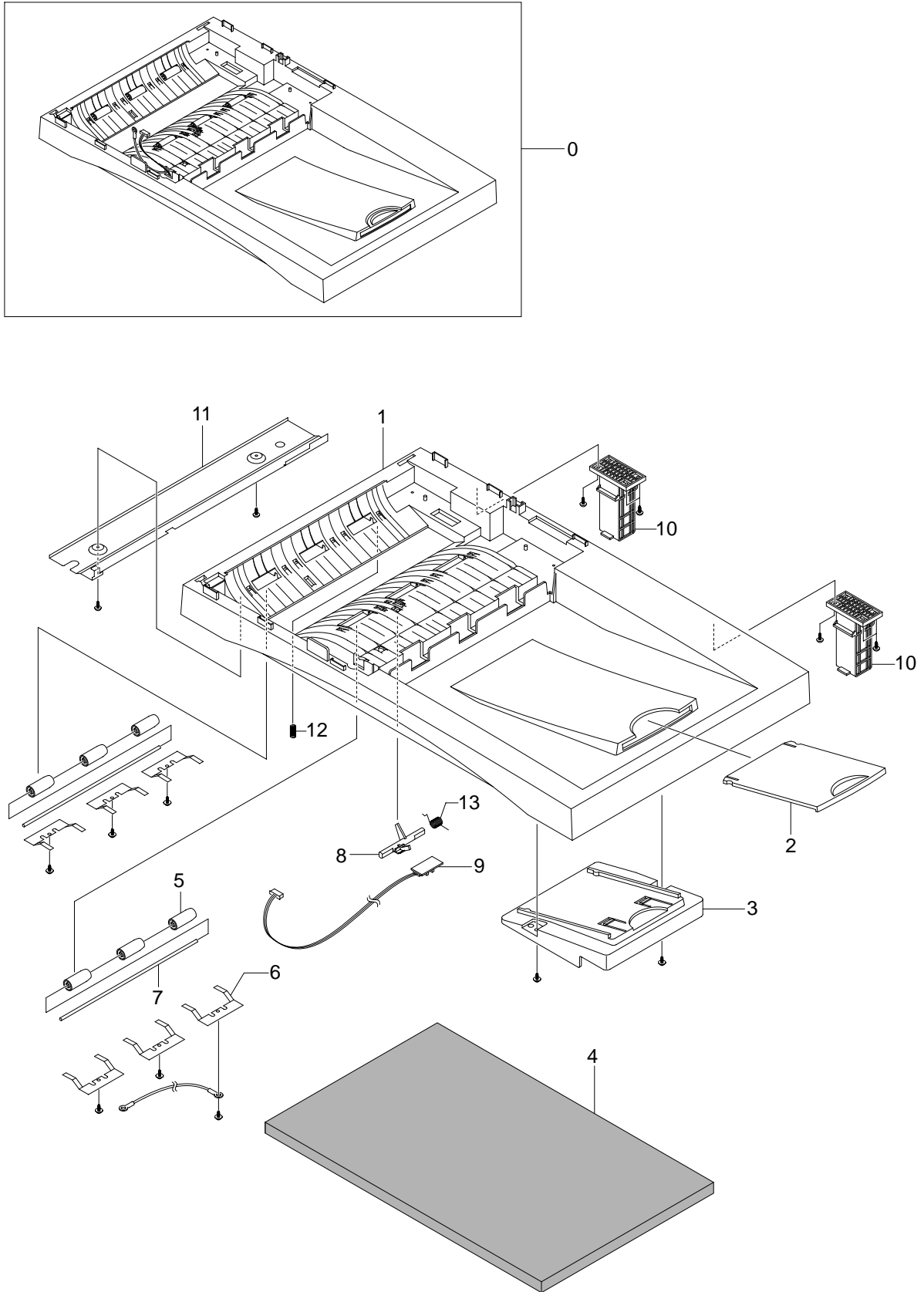
## DADF Ass'y Parts List

SA : Service Available

○ : Service available X : Service not available

No.	Description	SEC.Code	Q'ty	SA	Remark
0	ELA HOU-DADF	JC96-02943A	1	○	
1	ELA HOU-COVER PLATEN	JC96-02942A	1	○	
2	COVER-M FRONT	JC63-00200A	1	○	
3	COVER-M REAR	JC63-00201A	1	○	
4	ELA HOU-DADF_SUB	JC96-02973A	1	○	
5	MEA UNIT-TX STACKER	JC97-01840A	1	○	
5-1	PMO-TX STACKER	JC72-01253A	1	X	
5-2	GUIDE-M_DOC_LEFT	JC61-00739A	1	X	
5-3	GUIDE-M_DOC_RIGHT	JC61-00740A	1	X	
5-4	IPR-WASHER SPRING CU	JF70-10616A	1	○	
5-5	PMO-GEAR PINION	JF72-41354A	1	○	
5-6	PMO-ACTUATOR LENGTH	JC72-01250A	1	○	
5-7	PMO-TX STACKER LOWER	JC72-01254A	1	○	
5-8	SPRING ETC-TORSION DOC	JB61-00076A	1	○	

## 8.4 Platen Cover Ass'y



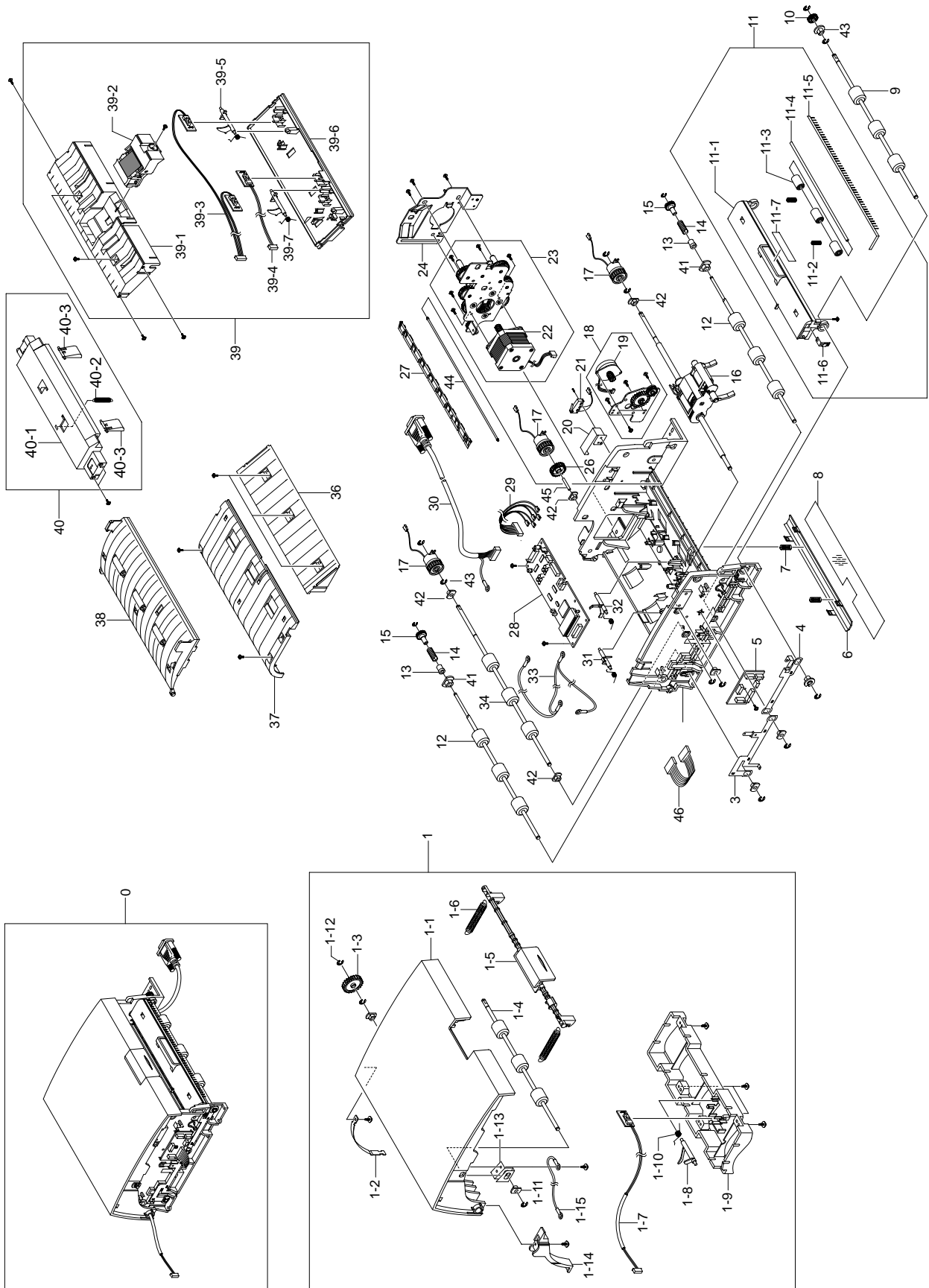
## Platen Cover Ass'y Parts List

SA : Service Available

O : Service available X : Service not available

No.	Description	SEC.Code	Q'ty	SA	Remark
0	ELA HOU-COVER PLATEN	JC96-02942A	1	O	
1	COVER-M PLATEN	JC63-00198A	1	X	
2	PMO-EXTENTION PLATEN	JC72-01251A	1	X	
3	GUIDE-M EXTENTION	JC61-00746A	1	X	
4	PPR-SPONGE SHEET	JC72-00751A	1	O	
5	PMO-ROLL PINCH	JG72-40663A	6	O	
6	IPR-P_PINCH(SCAN)	JC70-00468A	6	X	
7	SHAFT-PINCH	JC66-00659A	2	O	
8	PMO-ACTUATOR SENSOR SCAN	JC72-00746A	1	O	
9	PBA-SUB-GATE	JC92-01562A	1	O	
10	MEA UNIT-HINGE(MCK2)	JC97-01839A	2	O	
11	PLATE-P-DUMMY PLATEN	JC61-00819A	1	O	
12	SPRING ETC-CHARGE	JC61-70925A	1	X	
13	SPRING ETC-TORSION DOC	JB61-00076A	1	O	

## 8.5 DADF SUB Ass'y



## DADF SUB Ass'y Parts List

SA : Service Available

O : Service available X : Service not available

No.	Description	SEC.Code	Q'ty	SA	Remark
0	ELA HOU-DADF SUB	JC96-02973A	1	O	
1	MEA UNIT-COVER OPEN	JC97-01844A	1	O	
1-1	COVER-M_OPEN	JC63-00195A	1	O	
1-2	PMO-STOPPER EXIT	JC72-41396B	1	O	
1-3	GEAR-DADF24(A)	JC66-00565A	1	O	
1-4	ROLLER-REGI	JC66-00587A	1	X	
1-5	PMO-LEVER OPEN	JC72-01256A	1	X	
1-6	"SPRING ETC-KNOCKUP,MP"	JC61-00483A	2	O	
1-7	PBA SUB-REGI	JC92-01561A	1	O	
1-8	PMO-ACTUATOR REGI	JC72-01261A	1	X	
1-9	COVER-M_SENSOR	JC63-00197A	1	O	
1-10	SPRING ETC-TORSION DOC	JB61-00076A	1	O	
1-11	BUSH-6D	JC61-00423A	2	O	
1-12	RING-E	6044-000125	3	O	
1-13	GROUND-P DUPLEX	JC63-00315A	1	X	
1-14	COVER-M-HARNESS	JC63-00408A	1	X	
1-15	CBF HARNESS-LIU GND	JB39-00103A	1	O	
2	GUIDE-SCAN	JC61-00738A	1	X	
3	GROUND-P_SCAN ROLLER	JC63-00249A	1	X	
4	GROUND-P_EXIT ROLLER	JC63-00250A	1	X	
5	PBA SUB-SENSOR_IF	JC92-01556A	1	O	
6	IPR-BRKT WHITE BAR	JC70-00225A	1	O	
7	SPRING ETC-WHITE BAR	JC61-00548A	2	O	
8	SHEET-GUIDE PAPER	JC63-00185A	1	X	
9	ROLLER-EXIT	JC66-00588A	1	O	
10	GEAR-EXIT31	JC66-00571A	1	X	
11	MEA UNIT-COVER EXIT	JC97-01841A	1	O	
11-1	COVER-M_EXIT	JC63-00196A	1	X	
11-2	SPRING ETC-WHITE BAR	JC61-00548A	2	O	
11-3	PMO-ROLLER IDLE SCAN	JC72-00906A	3	O	
11-4	SHAFT-EXIT IDLE	JC66-00661A	1	O	
11-5	MEC-BRUSH ANTISTATIC	JC75-00095A	1	O	
11-6	GROUND-P-EXIT COVER	JC63-00203A	1	X	
11-7	LABEL-COVER-EXIT	JC68-01244A	1	X	
12	ROLLER-SCAN	JC66-00585A	2	O	
13	PMO-BUSHING HOLDER	JG72-40732A	2	X	
14	SPRING ETC-CLUTCH	JC61-00062A	2	O	
15	GEAR DADF-SCAN31	JC66-00570A	2	X	

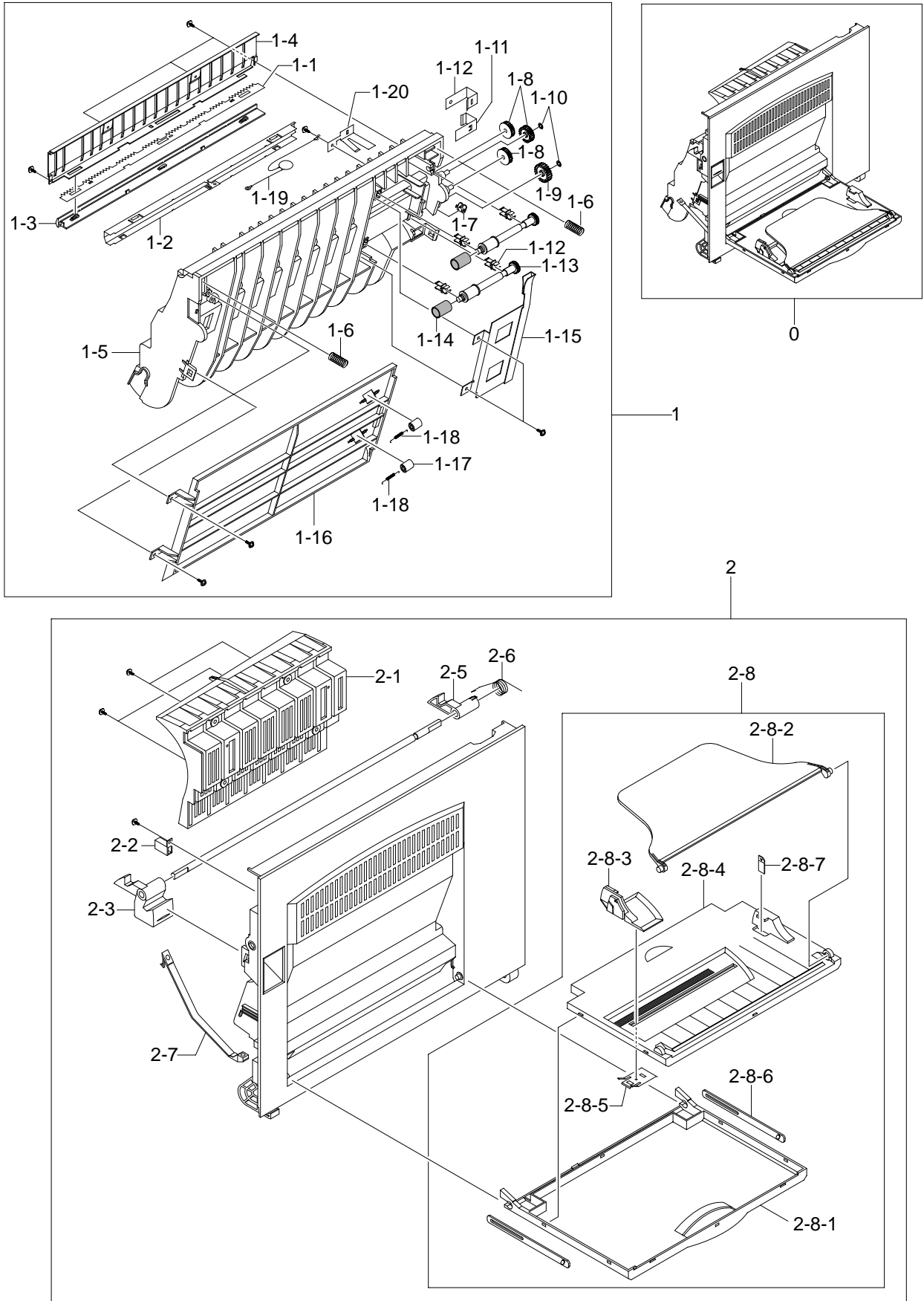
## DADF SUB Ass'y Parts List

SA : Service Available

O : Service available X : Service not available

No.	Description	SEC.Code	Q'ty	SA	Remark
16	MEA UNIT-PICK_UP	JC97-01848A	1	O	
17	MEP-CLUTCH SMALL	JC47-00003C	3	O	
18	ELA HOU-DUPLEX MOTOR	JC96-02940A	1	O	
19	MOTOR STEP-DUPLEX	JC31-00034A	1	O	
20	IPR-GUARD C/O S/W	JC70-00218A	1	O	
21	CBF HARNESS-COVER_OPEN	JC39-00332A	1	O	
22	MOTOR STEP-DADF	JC31-00033A	1	O	
23	ELA HOU-DADF MOTOR	JC96-02941A	1	O	
24	COVER-P GEAR	JC63-00307A	1	O	
26	GEAR-DADF24(A)	JC66-00565A	1	O	
27	PMO-GATE DUPLEX	JC72-01255A	1	X	
28	PBA SUB-DADF	JC92-01554A	1	O	
29	CBF HARNESS-CLUTCH IF	JC39-00327A	1	O	
30	CBF DSUB-CABLE_DADF	JC39-00359A	1	O	
31	PMO-ACTUATOR SCAN	JC72-01249A	1	O	
32	PMO-ACTUATOR DUPLEX	JC72-01263A	1	O	
33	CBF HARNESS-DADF GND	JC39-00334A	1	O	
34	ROLLER-DUPLEX	JC66-00589A	1	O	
36	GUIDE-M_DUPLEX_INNER	JC61-00737A	1	O	
37	GUIDE-M_DUPLEX_LOWER	JC61-00735A	1	O	
38	MEA UNIT-GUIDE DUPLEX	JC97-01843A	1	O	
39	MEA UNIT-GUIDE_PICK_UP	JC97-01847A	1	O	
39-1	GUIDE-M_PICK_UP_UPPER	JC61-00733A	1	X	
39-2	MEA UNIT-HOLDER ADF RUBBER	<a href="#">JC97-01846A</a>	1	O	
39-3	PBA SUB-DOC_WIDTH	JC92-01560A	1	O	
39-4	PBA SUB-EXIT_OPEN	JC92-01564A	1	O	
39-5	PMO-ACTUATOR DOC	JC72-01248A	2	X	
39-6	GUIDE-M-PICK_UP_LOWER	JC61-00732A	1	X	
39-7	SPRING ETC-TORSION DOC	JB61-00076A	2	O	
40	MEA UNIT-SUPPORT PICK_UP	JC97-01845A	1	O	
40-1	SUPPORT-PICK-UP	JC61-00742A	1	X	
40-2	SPRING ETC-PICK-UP	JC61-00482A	1	O	
40-3	GUIDE-M-DOC SENSOR	JC61-00788A	2	X	
41	BUSH-10-D	JC61-00720A	2	X	
42	BUSH-6D	JC61-00423A	2	O	
43	BUSH-6D(L)	JC61-00884A	2	X	
44	SHAFT-GATE DUPLEX	JC66-00683A	1	X	
45	SHAFT-REGI	JC66-00662A	1	X	
46	CBF HARNESS-SENSOR_IF	JC39-00344A	1	O	

### 8.6 Side Cover Ass'y



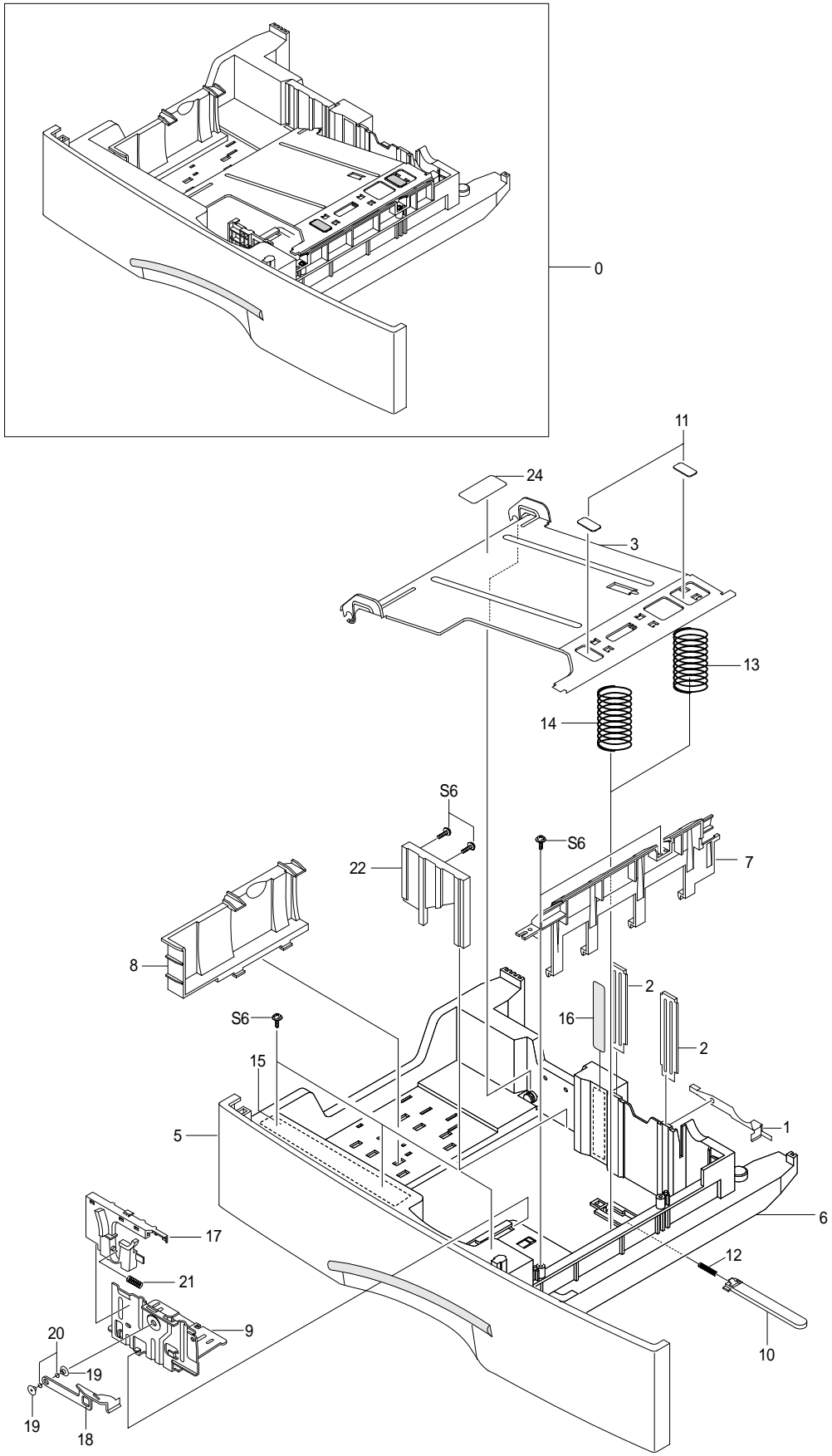
## Side Cover Ass'y Parts List

SA : Service Available

O : Service available X : Service not available

No.	Description	SEC.Code	Q'ty	SA	Remark
0	ELA HOU-SIDE COVER ASS'Y	JC96-02183C	1	O	
1	MEA UNIT-DUPLEX	JC97-01578B	1	O	
1-1	IPR-PLATE SAW	JC70-10232D	2	O	
1-2	IPR-BRACKET GUIDE B	JC70-00234A	1	O	
1-3	PMO-HOLDER SAW	JC72-41213B	1	O	
1-4	IPR-BRACKET GUIDE A	JC70-00229A	1	O	
1-5	PMO-FEED FRAME	JC72-00731A	1	O	
1-6	SPRING-FEED	JC61-00478A	2	O	
1-7	PMO-BUSHING FEED	JC72-00730A	1	O	
1-8	GEAR-DUP IDLER 17	JC66-00341A	3	O	
1-9	GEAR-MP/DUP DRV	JC66-00346A	1	O	
1-10	RING-CS	6044-000001	2	X	
1-11	IPR-BRKT GROUND TR	JC70-00231A	1	O	
1-12	PMO-BUSHING TX(B4)	JG72-40744A	4	O	
1-12	IPR-BRKT GROUND A	JC70-00232A	1	O	
1-13	PMO-SHAFT DUP DRIVER	JC72-00764A	2	O	
1-14	RPR-RUBBER EXIT	JC73-10203A	2	O	
1-15	IPR-BRKT G DUP	JC70-00233A	1	O	
1-16	PMO-GP LOWER DP	JC72-00732A	1	O	
1-17	PMO-ROLLER_EXIT	JC72-40361A	2	X	
1-18	SPRING-FUSER EXIT	JC61-70976A	2	X	
1-19	CBF HARNESS-OPE GND	JC39-00036A	1	O	
1-20	IPR-BRKT GROUND B	JC70-00230A	1	O	
2	MEA UNIT-SIDE SUB	JC97-01909A	1	O	
2-1	PMO-GUIDE DP SIDE	JC72-00806A	1	O	
2-2	GUIDE SIDE PUSH	JC61-00919A	1	X	
2-3	PMO-LOCKER OPEN	JC72-00762B	1	O	
2-5	PMO-LOCKER SIDE R	JC72-00763A	1	O	
2-6	SPRING-LOCKER TORSION	JC61-00479A	1	O	
2-7	PMO-TIE STOPPER	JC72-00766A	2	O	
2-8	MEC UNIT-TRAY ASS'Y	JC97-01577B	1	O	
2-8-1	PMO-TRAY CASE, MP	JC72-00776A	1	O	
2-8-2	PMO-SIDE EXIT, MP	JC72-00778A	1	O	
2-8-3	PMO-SIDE GUIDE, MP	JC72-00547G	1	O	
2-8-4	PMO-TRAY COVER, MP	JC72-00777A	1	O	
2-8-5	IPR-GUIDE LATCH, MP	JB70-10906A	1	O	
2-8-6	PMO-TRAY LINK,MP	JC72-00857A	1	O	
2-8-7	LABEL(R)-HEIGHT,MP	JC68-00697A	1	X	

# 8.7 Cassette Ass'y



## Cassette Ass'y Parts List

SA : Service Available

O : Service available X : Service not available

No.	Description	SEC.Code	Q'ty	SA	Remark
0	MEA UNIT-CASSETTE	JC97-01736A	1	O	LETTER
	MEA UNIT-CASSETTE	JC97-01736B	1	O	A4
2	PLATE GUIDE PAPER	JC61-00831A	2	O	
3	IPR-PLATE K/UP	JC70-00221A	1	O	
5	PMO-COVER CASSETTE	JC72-00795A	1	O	
6	PMO-FRAME CASSETTE	JC72-00716A	1	X	
7	GUIDE FRONT CST PLUS	JC61-00825A	1	X	
8	PMO-GUIDE REAR	JC72-00717A	1	O	
9	GUIDE SIDE CST	JC61-00826A	1	O	
10	PMO-LOCKER PLATE	JC72-41210A	1	O	
11	PAD-CST PLUS	JC69-00474A	2	O	
12	SPRING-LOCKER PLATE	JG61-70531A	1	O	
13	SPRING CS RE	6107-001190	1	O	
14	SPRING CS FR	6107-001191	1	O	
15	LABEL(R)-INSTRUCTION CST PLUS	JC68-00692B	1	O	
16	LABEL(R)-HEIGHT CST	JC68-00709A	1	O	
17	GUIDE SIDE HANDLE	JC61-00824A	1	O	
18	IPR FINGER LEFT	JC70-00325A	1	O	
19	PMO-BUSHING FINGER, F	JC61-00653A	2	O	
20	WASHER PLAIN	6031-000023	2	X	
21	SPRING WHITE BAR	JC61-00548A	1	O	
22	GUIDE SUB WALL	JC61-00840A	1	X	



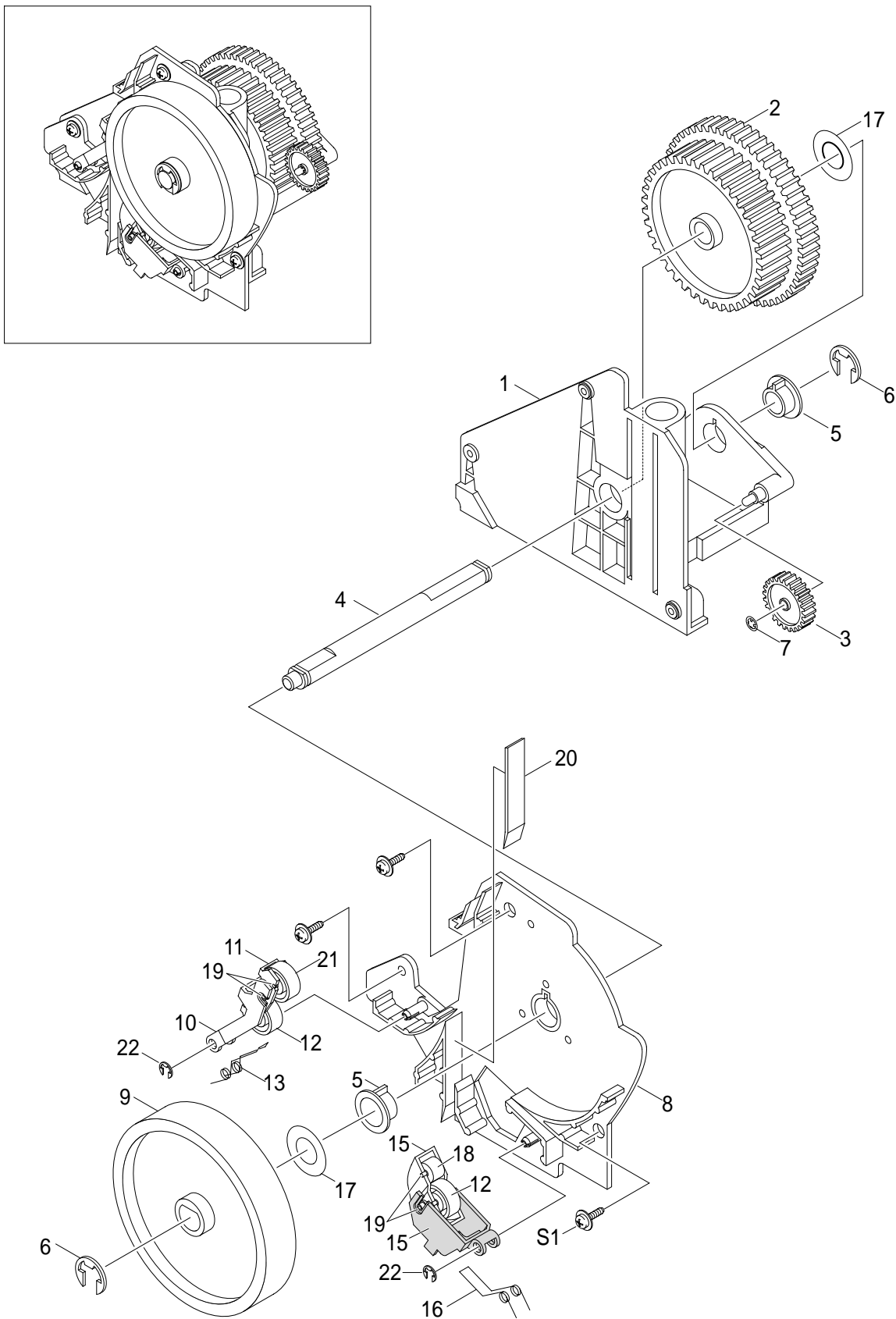
## Exit Ass'y Parts List

SA : Service Available

O : Service available X : Service not available

No.	Description	SEC.Code	Q'ty	SA	Remark
0	MEA UNIT-EXIT ASS'Y	JC97-01643B	1	O	
1	PMO-GUIDE-EXIT UPPER	JC72-00708A	1	O	
2	PMO-GUIDE-EXIT LOWER	JC72-00710A	1	O	
3	PMO-GUIDE-JAM REMOVE	JC72-00712A	1	O	
4	MEC-ROLLER EXIT DRVE	JC75-00166A	2	O	
5	PMO-ROLLER DECURL	JC72-00833A	4	O	
6	PMO-PULLEY DUPLEX	JC72-40980A	2	X	
7	BELT-TIMING GEAR	6602-001084	1	O	
8	GEAR-DUPLEX	JC66-40912A	1	O	
9	PMO-BEARING LARGE DP	JC72-00885A	3	O	
10	PMO-BEARING LARGE DP	JC72-40978A	1	O	
11	IPR-GROUND-EXIT	JC70-00252A	1	O	
12	SHAFT IDLE LOWER	JC66-00715A	1	X	
13	PMO-ROLLER_EXIT	JC72-40361A	4	X	
14	SPRING ETC-EXIT ROLL FD	JC61-70911A	2	O	
15	HOLDER-EXIT(MC)	JC61-00547A	4	X	
16	PMO-ROLLER FD F	JC72-41007A	4	O	
17	PMO-ROLLER FD R	JC72-41008A	4	O	
18	SPRING ETC-EXIT LOWER IDLE	JC61-00484A	4	O	
19	MEC-BRUSH ANTISTATIC	JC75-00095A	1	O	
20	PBA SUB-BIN_FULL_SEN.	JC92-01400A	1	O	
21	RING-C	6044-000159	3	X	
22	PMO-LEVER-STACKING	JC72-00709A	1	O	

## 8.9 Feeder Ass'y



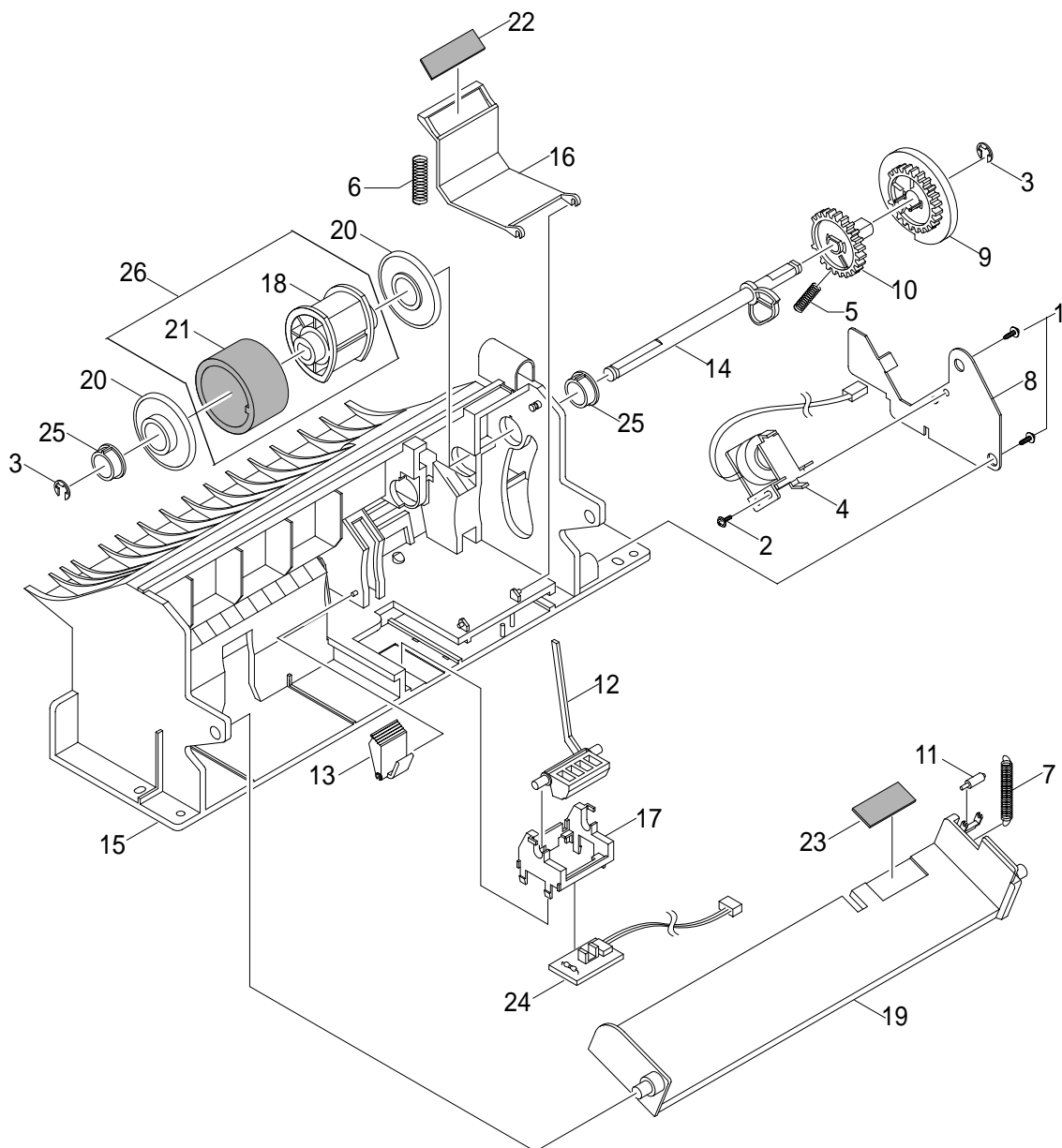
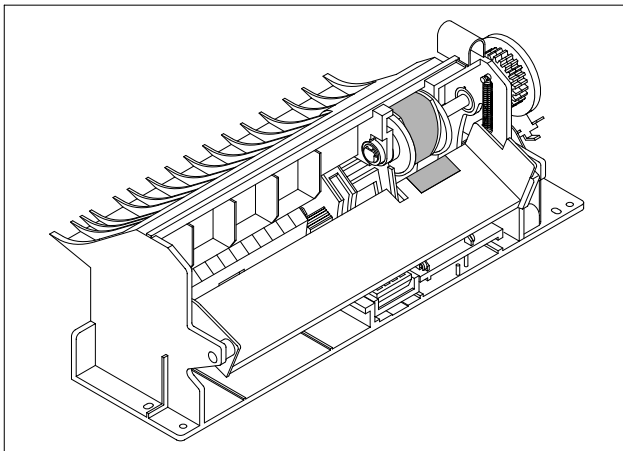
## Feeder Ass'y Parts List

SA : Service Available

O : Service available X : Service not available

No.	Description	SEC.Code	Q'ty	SA	Remark
0	MEA UNIT-FEED ROUER	JC97-01850A	1	O	
1	PMO-FRAME FEED	JC72-00821A	1	O	
2	GEAR-FEED	JC66-00332A	1	O	
3	GEAR-MP/DUP DRV	JC66-00346A	1	O	
4	ICT-SHAFT FEED	JC70-00267A	1	X	
5	PMO-BUSHING_P/U,MP	JC72-41364A	1	O	
6	RING-E	6044-000125	2	O	
7	RING-CS	6044-000001	1	X	
8	PMO-BRKT FEED	JC61-00849A	1	X	
9	PMO-ROLLER FEED	JC72-00727A	1	O	
10	PMO-HOLDER PINCH C	JC61-00830A	1	X	
11	PMO-HOLDER PINCH SUB	JC72-00725A	1	O	
12	PMO-ROLLER FEED L	JC72-40261A	1	O	
13	HOLDER PUSH FEED CST	JC61-00871A	1	X	
14	PMO-HOLDER PINCH M	JC72-00724A	1	O	
15	PMO-SUB HOLDER FEED	JC72-40266A	1	O	
16	SPRING-FEED MP	JC61-00481A	1	O	
17	WASHER-PLAIN	6031-000021	2	X	
18	PMO-ROLLER FEED S	JC72-40262A	1	O	
19	IPR-SHAFT FEED IDLER	JC70-10230A	4	O	
20	SHEET FEEDER	JC63-00259A	1	X	
21	PMO ROLLER PINCH FEED	JC72-01315A	2	X	
22	E-RING	6044-000159	2	X	
S1	SCREW-TAPTITE	6003-000196	3	X	

## 8.10 MP Ass'y



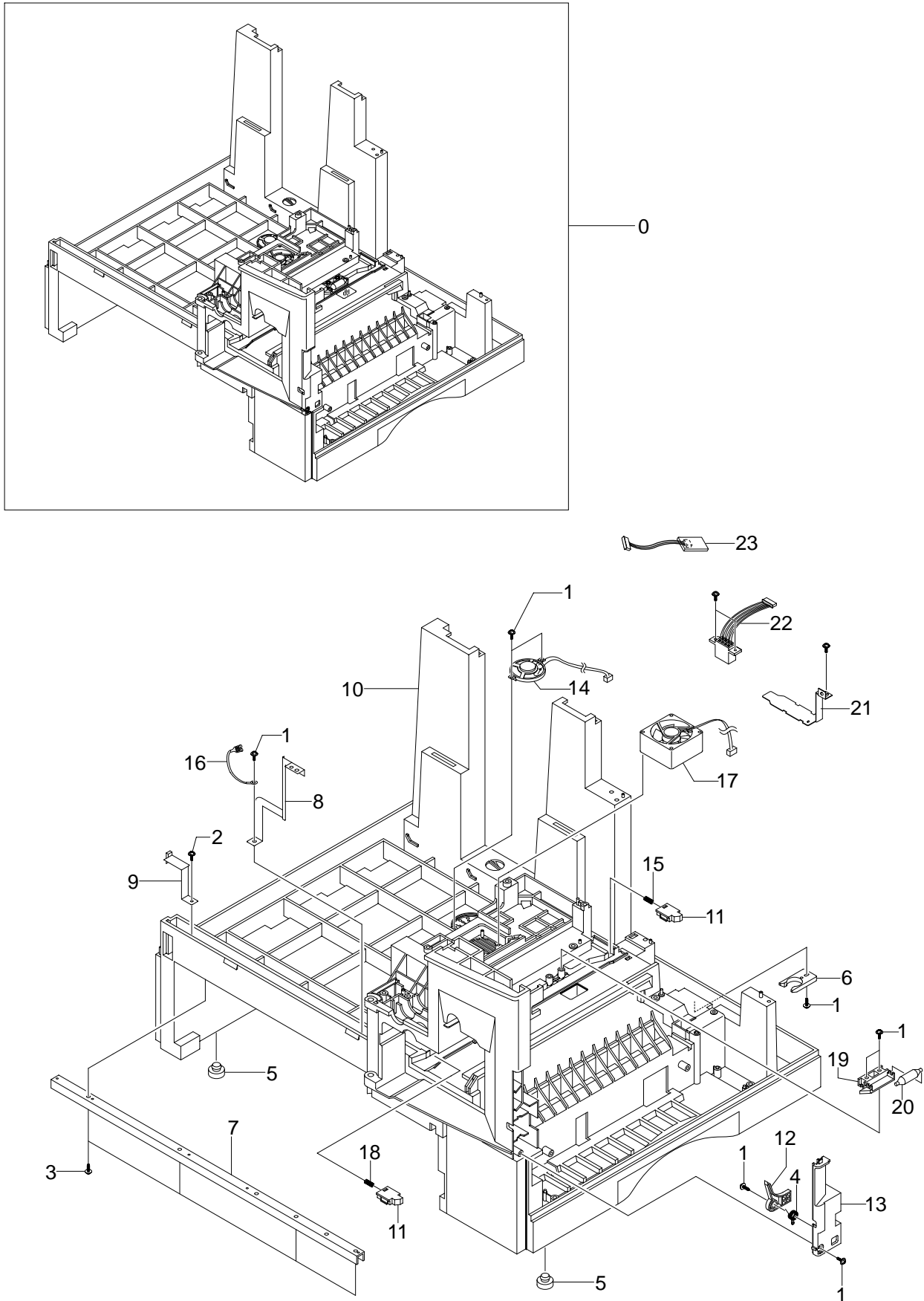
## MP Ass'y Parts List

SA : Service Available

O : Service available X : Service not available

No.	Description	SEC.Code	Q'ty	SA	Remark
0	ELA HOU-MP ASS'Y	JC96-02182A	1	O	
1	SCREW-TAPTITE	6003-000119	2	O	
2	SCREW-TAPTITE	6003-000266	1	X	
3	RING-E	6044-000125	2	O	
4	SOLENOID-MP	JC33-00006A	1	O	
5	SPRING--CAM MP	JC61-00003A	1	O	
6	SPRING-PICK UP MP	JC61-00549A	1	O	
7	SPRING-KNOCKUP,MP	JC61-00483A	1	O	
8	IPR-BRACKET SOLENOIDE	JC70-00237A	1	O	
9	PMO-HOLDER CAM MPF	JC72-00055A	1	X	
10	PMO-GEAR P/U MPF	JC72-00056A	1	O	
11	PMO-ROLLER CAM.MPF	JC72-00761A	1	O	
12	PMO-ACTUATOR,MP	JC72-00767A	1	O	
13	PMO-ADJUSTER,MP	JC72-00768A	1	O	
14	PMO-CAM PICK UP,MP	JC72-00769A	1	O	
15	PMO-FRAME,MP	JC72-00770A	1	O	
16	PMO-HOLDER PAD,MP	JC72-00771A	1	O	
17	PMO-HOLDER SENSOR,MP	JC72-00772A	1	O	
18	PMO-HOUSING PICK UP,MP	JC72-00773A	1	O	
19	PMO-PLATE KNOCK UP,MP	JC72-00775A	1	O	
20	PMO-IDLE PICK UP,MP	JC72-41027A	2	O	
21	RPR-RUBBER PICK UP,MP	JC73-00089A	1	O	
22	RPR-RCT-PAD-PICKUP,MP	JC73-00090A	1	O	
23	RPR-PAD MP PLUS	JC69-00494A	1	O	
24	PBA SUB-MP SEN	<a href="#">JC92-01362A</a>	1	O	
25	PMO-BUSHING PICKUP,MP	JC72-41364A	1	O	
26	A/S MATERIAL-PICKUP,MP	JC81-00427A	1	O	

## 8.11 Base Frame



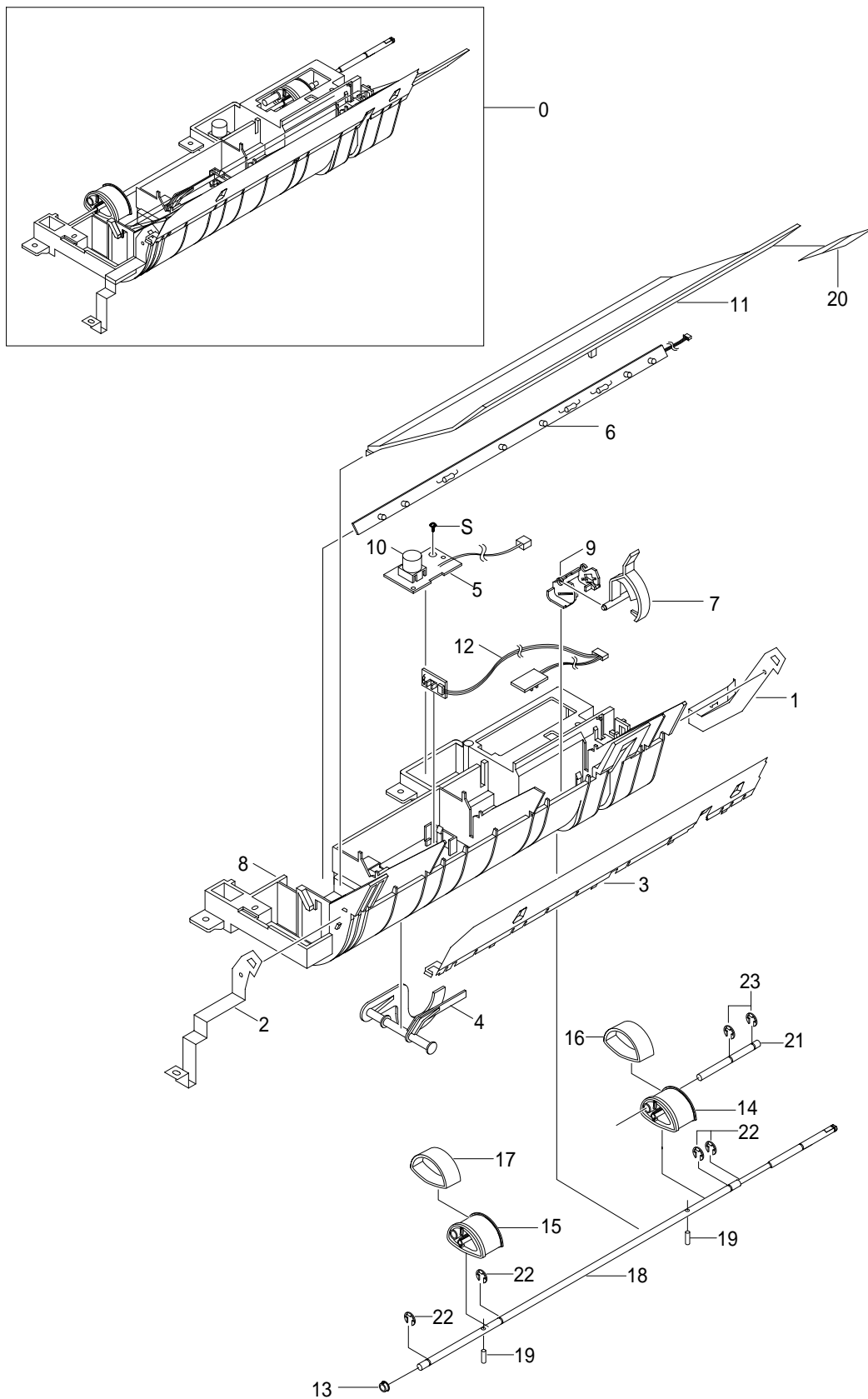
## Base Frame Parts List

SA : Service Available

O : Service available X : Service not available

No.	Description	SEC.Code	Q'ty	SA	Remark
0	ELA HOU-BASE FRAME	JC96-02958A	1	O	SCX-6320F
1	SCREW-TAPTITE	6003-000196	11	X	
2	SCREW-TAPTITE	6003-000269	2	X	
3	SCREW-TAPTITE	6003-001256	4	X	
4	SPRING ETC-TORSION	JC61-00486A	1	O	
5	FOOT-ML80	JC61-40001A	2	O	
6	HOLDER CATCH CST MC2	JC61-00857A	1	X	
7	IPR-CHANNEL BASE FRAME	JC70-00239A	1	O	
8	IPR-GROUND PLATE A(OPC)	JC70-00240A	1	O	
9	IPR-GROUND PLATE B(BASE)	JC70-00241A	1	O	
10	PMO-BASE FRAME	JC72-00779A	1	O	
11	PMO-BRACKET PUSH DEVE	JC61-00789A	2	X	
12	PMO-BRACKET SIDE OPEN	JC72-00781A	1	O	
13	PMO-COVER FRONT DUMMY	JC72-00785A	1	O	
14	ELA M/M-AUD SPEAKER	JC96-01607A	1	O	
15	SPRING ETC-DEVE REAR	JC61-00550A	1	O	
16	CBF HARNESS-OPC GND	JC39-00179A	1	O	
17	FAN-DC(CARDINAL)	JC31-00027B	1	O	
18	SPRING ETC-DEVE FRONT	JC61-00551A	1	O	
19	HOLDER-M ROLLER BOTTOM	JC61-00855A	1	X	
20	SHAFT DEVE BOTTOM	JC66-00684A	1	X	
21	IPR-GROUND PLATE SCF	JC70-00243A	1	O	
22	CBF-HARNESS-SCF	JC39-00082A	1	O	
23	PCB AIR TEMPERATURE	JC92-01568A	1	O	

## 8.12 Pick-up Ass'y



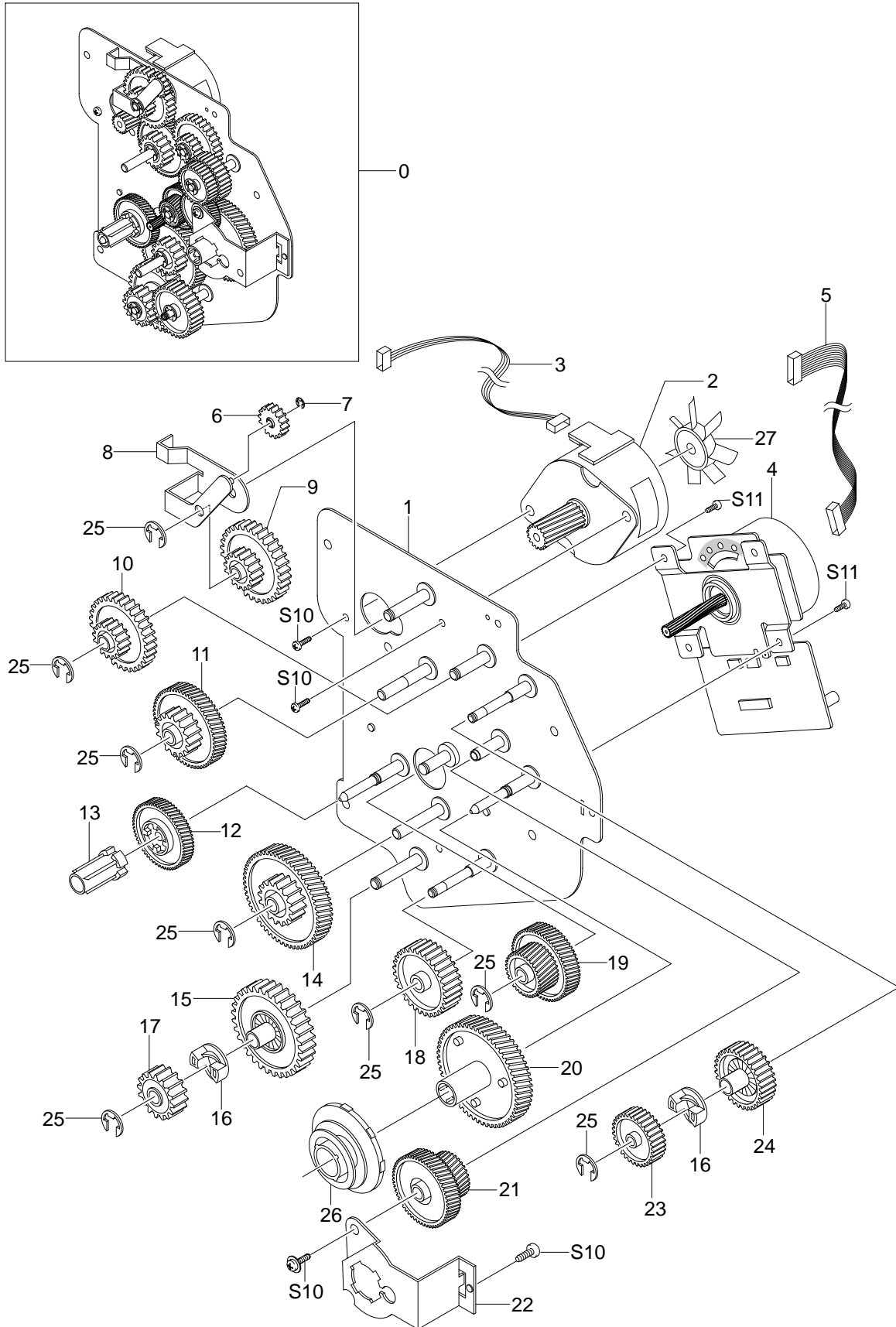
## Pick-up Parts List

SA : Service Available

O : Service available X : Service not available

No.	Description	SEC.Code	Q'ty	SA	Remark
0	ELA HOU-PICKUP PLUS ASS'Y	JC96-02715B	1	O	
1	IPR-GND FEED	JC70-00238A	1	O	
2	IPR-GND INPUT	JC70-00235A	1	O	
3	IPR-GUIDE INPUT	JC70-00222A	1	O	
4	PMO-ACTUATOR NO PAPER	JC72-01313A	1	O	
5	PBA SUB-TONER_TX	JC92-01359A	1	O	
6	PBA SUB-PTL	JC92-01361A	1	O	
7	PMO-FEED SENSOR	JC72-00721A	1	O	
8	PMO-GUIDE PAPER	JC72-00722A	1	O	
9	PMO-HOLDER SENSOR FEED	JC72-00726A	1	O	
10	PMO-LENS TONER SENSOR	JC72-00803A	1	O	
11	PMO-PTL PATH	JC72-00822A	1	O	
12	PBA SUB-FEED+P.EMP SEN.	JC92-01363A	1	O	
13	PMO-BUSHING_P/U,MP	JC72-41364A	1	O	
14	HOUSING-PICKUP LARGE	JC61-00822A	1	X	
15	HOUSING-PICKUP SMALL	JC61-00823A	1	X	
16	RPR RUBBER PICKUP	JC73-00145A	1	O	
17	RUBBER PICKUP SMALL	<a href="#">JC73-00163A</a>	1	O	
18	SHAFT-PICKUP CST	JC66-00672A	1	X	
19	SHAFT PIN ADF	JB70-00168A	1	O	
20	SHEET-PTL PATH	JC63-00083A	1	O	
21	SHAFT-SUB-PICKUP	JC66-00596A	1	O	
22	RING-E ID4	6044-000125	4	O	
23	RING-E ID5	6044-000231	2	O	
S	SCREW-TAPTITE	6003-000119	1	O	

### 8.13 Drive Ass'y



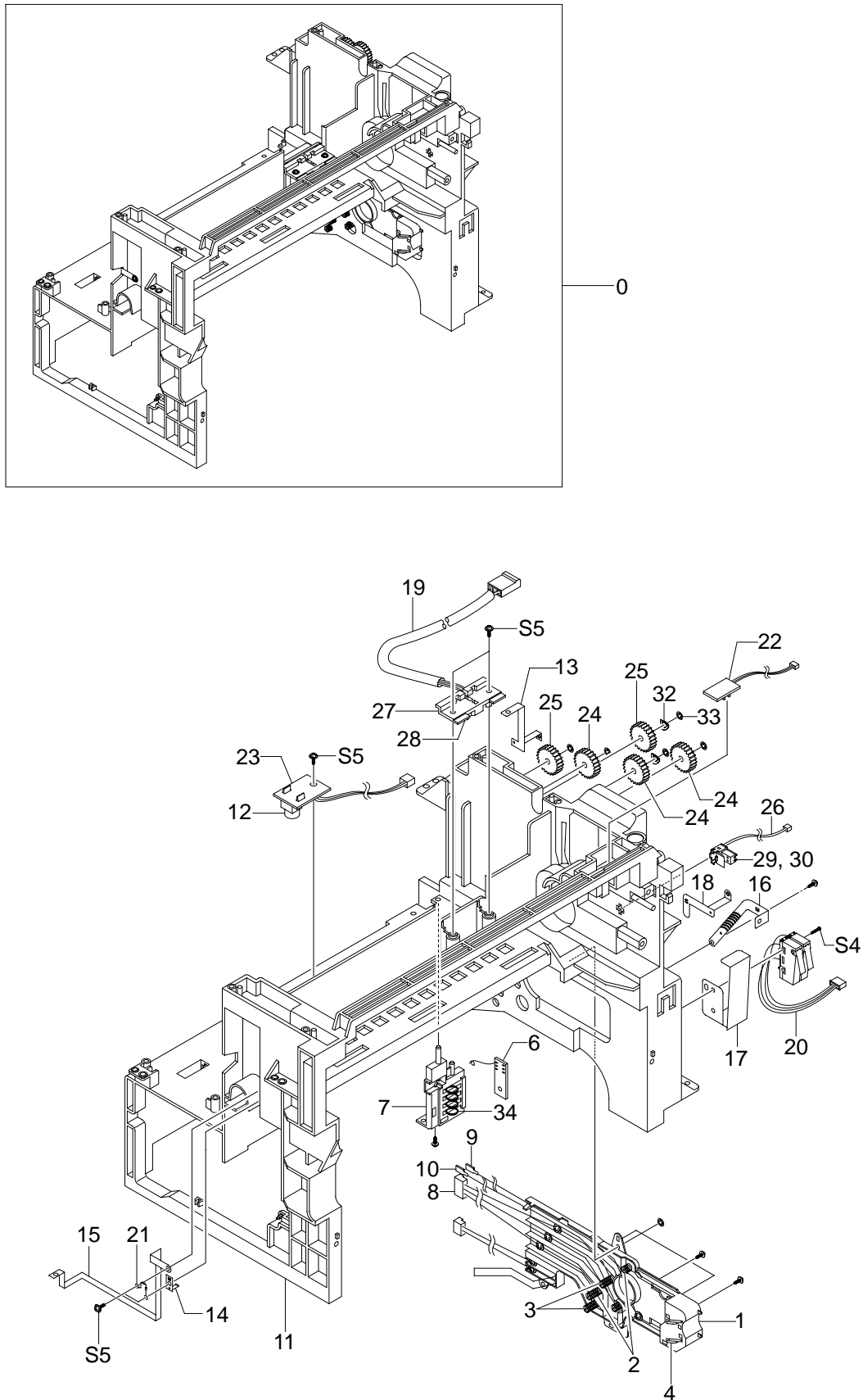
## Drive Ass'y Parts List

SA : Service Available

O : Service available X : Service not available

No.	Description	SEC.Code	Q'ty	SA	Remark
0	ELA HOU-DRIVE ASS'Y	JC96-02957A	1	O	
1	IPR-BRKT MOTOR	JC61-00726A	1	X	
2	MOTOR STEP-MCK2(MAIN)	JC31-00020C	1	O	
3	CBF HARNESS-FUSER MOTOR	JC39-00337A	1	O	
4	MOTOR DC-MCK2(BLDC)	JC31-00030A	1	O	
5	CBF HARNESS-FEED MOTOR	JC39-00326A	1	O	
6	GEAR-EXIT/U	JC66-40211B	1	O	
7	RING-C	6044-000159	1	X	
8	IPR-LINK DUPLEX	JC66-00576A	1	X	
9	GEAR-SWING DRV(34/17)	JC66-00349A	1	O	
10	GEAR-31/19	JC66-00350A	1	O	
11	GEAR-71/23	JC66-00345A	1	O	
12	GEAR-DEVE DRV	JC66-00338A	1	O	
13	PMO-DEV/COUPLING	JC72-00743A	1	O	
14	GEAR-86/23	JC66-00337A	1	O	
15	GEAR-RDCN FEED INNER	JC66-00342A	1	O	
16	GEAR-HUB CLUTCH	JC66-00340A	2	O	
17	GEAR-RDCN FEED OUTER	JC66-00343A	1	O	
18	GEAR-FEED DRV	JC66-00348A	1	O	
19	GEAR_OPC_53/37	JC66-00580A	1	X	
20	GEAR-OPC DRV	JC66-00347A	1	O	
21	GEAR_OPC_55/31	JC66-00581A	1	X	
22	IPR-BRKT-BRAKE	JC61-00853A	1	X	
23	GEAR-FUSER DRV OUTER	JC66-00334A	1	O	
24	GEAR-FUSER DRV INNER	JC66-00333A	1	O	
25	RING-E	6044-000231	8	O	
26	MEC-BRAKE GEAR	JC75-00163A	1	X	
27	IMPELLA	JC72-00825A	1	X	
S10	SCREW-TAPTITE; M3	6003-000269	6	X	
S11	SCREW-TAPTITE; M4	6003-001149	2	O	

### 8.14 Main Frame Ass'y



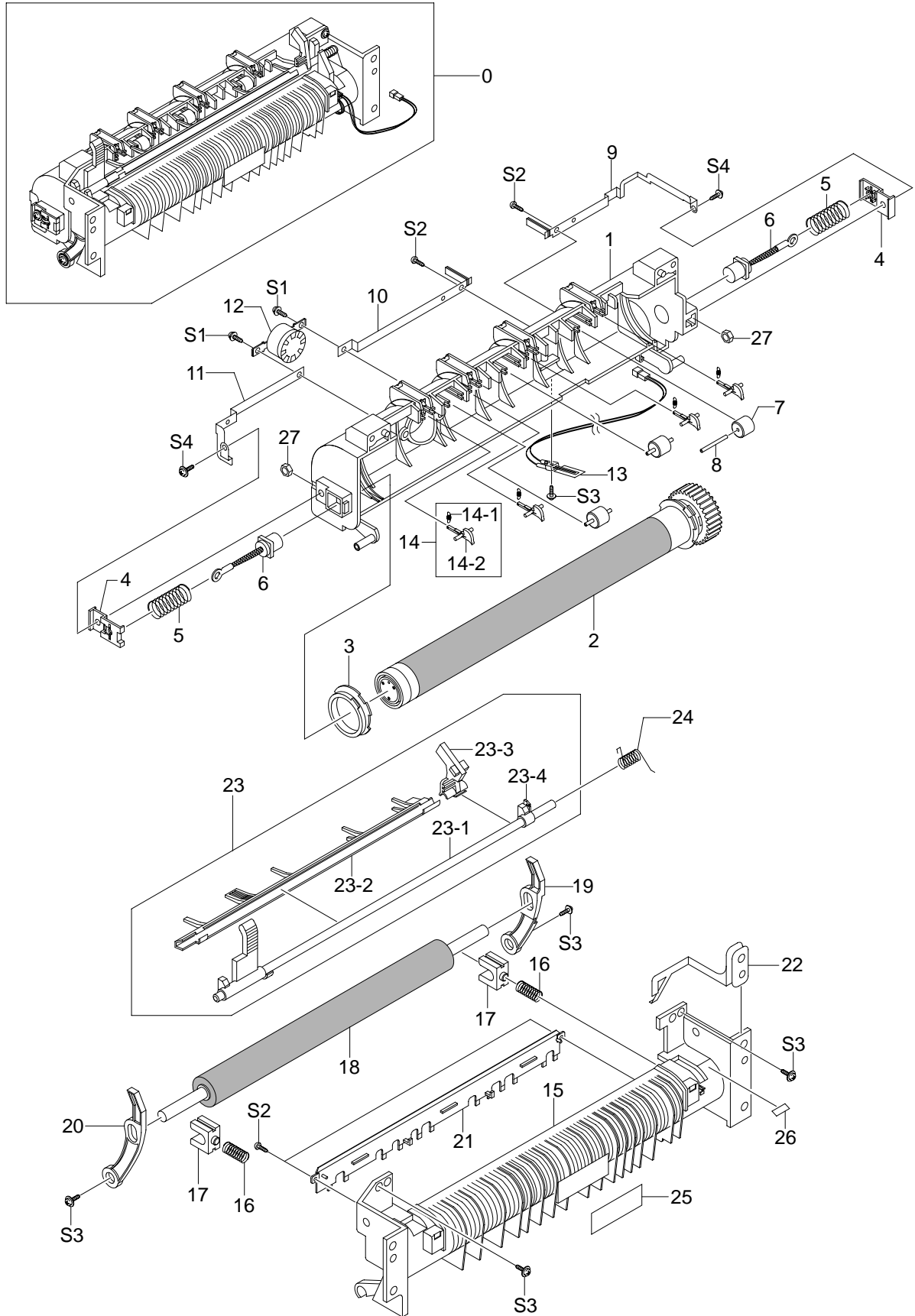
## Main Frame Ass'y Parts List

SA : Service Available

O : Service available X : Service not available

No.	Description	SEC.Code	Q'ty	SA	Remark
0	ELA HOU-FRAME MAIN ASS'Y	JC96-02959A	1	O	
1	PMO-HOUSING TERMINAL MC2	JC61-00723A	1	O	
2	IPR-TERMINAL BLADE	JC70-00269A	2	O	
3	IPR-TERMINAL SUPPLY	JC70-00270A	2	O	
4	IPR-TERMINAL TR	JC70-00271A	1	O	
6	PBA SUB TERMINAL	JC92-01567A	1	O	
7	HOLDER TERMINAL	JC61-00724A	1	X	
8	CBF-HARNESS-BLADE+SUPPLY+DEV	JC39-00170A	5	O	
9	CBF-HARNESS-MAIN-THV WIRE	JC39-00168A	1	O	
10	CBF-HARNESS-MAIN-MHV WIRE	JC39-00169A	1	O	
11	PMO-FRAME MAIN	JC72-00800A	1	O	
12	PMO-LENS TONER SENSOR	JC72-00803A	2	O	
13	IPR-GND EXIT	JC70-00214A	1	O	
14	IPR-GND OPC	JC70-00216A	1	O	
15	IPR-GND OPC BASE	JC70-00217A	1	O	
16	IPR-GROUND FUSER MC2	JC63-00409A	1	X	
17	IPR-GUARD C/O S/W	JC70-00218A	1	O	
18	IPR-GND TERMINAL	JC70-00219A	1	O	
19	CBF HARNESS-AC WIRE	JC39-00335A	1	O	
20	CBF-HARNESS-COVER SW	JC39-00360A	2	O	
21	CBF-HARNESS MOTOR	JB39-00017A	1	O	
22	PBA SUB-EXIT SENSOR	JC92-01364A	1	O	
23	PBA SUB-TONER_RX	JC92-01360A	1	O	
24	GEAR-EXIT/U,ID	JC66-40211B	3	O	
25	GEAR-EXIT,IDLE(Z17)	JC66-40964A	2	O	
26	CBF-HARNESS THERMISTOR_JOINT	JC39-00377A	1	O	
27	PMO-HOUSING TERMINAL	JC72-41010A	1	O	
28	IPR-TERMINAL FU	JC70-10961A	2	O	
29	PMO-CAP CONNECTOR L	JC72-00463A	1	O	
31	ELA HOU-MOTOR GND	JC96-01579A	1	X	
32	SPRING-CLUTCH	JB61-70922A	2	O	
33	RING-CS	6044-000001	6	X	
34	GRPUND-TERMINAL_CRUM	JC63-00333A	4	X	
S	SCREW-TAPTITE M3X6	6003-000179	1	X	
S	SCREW-TAPTITE, M3X8 BLACK, BINDER	6003-000119	17	X	

### 8.15 FuserAss'y



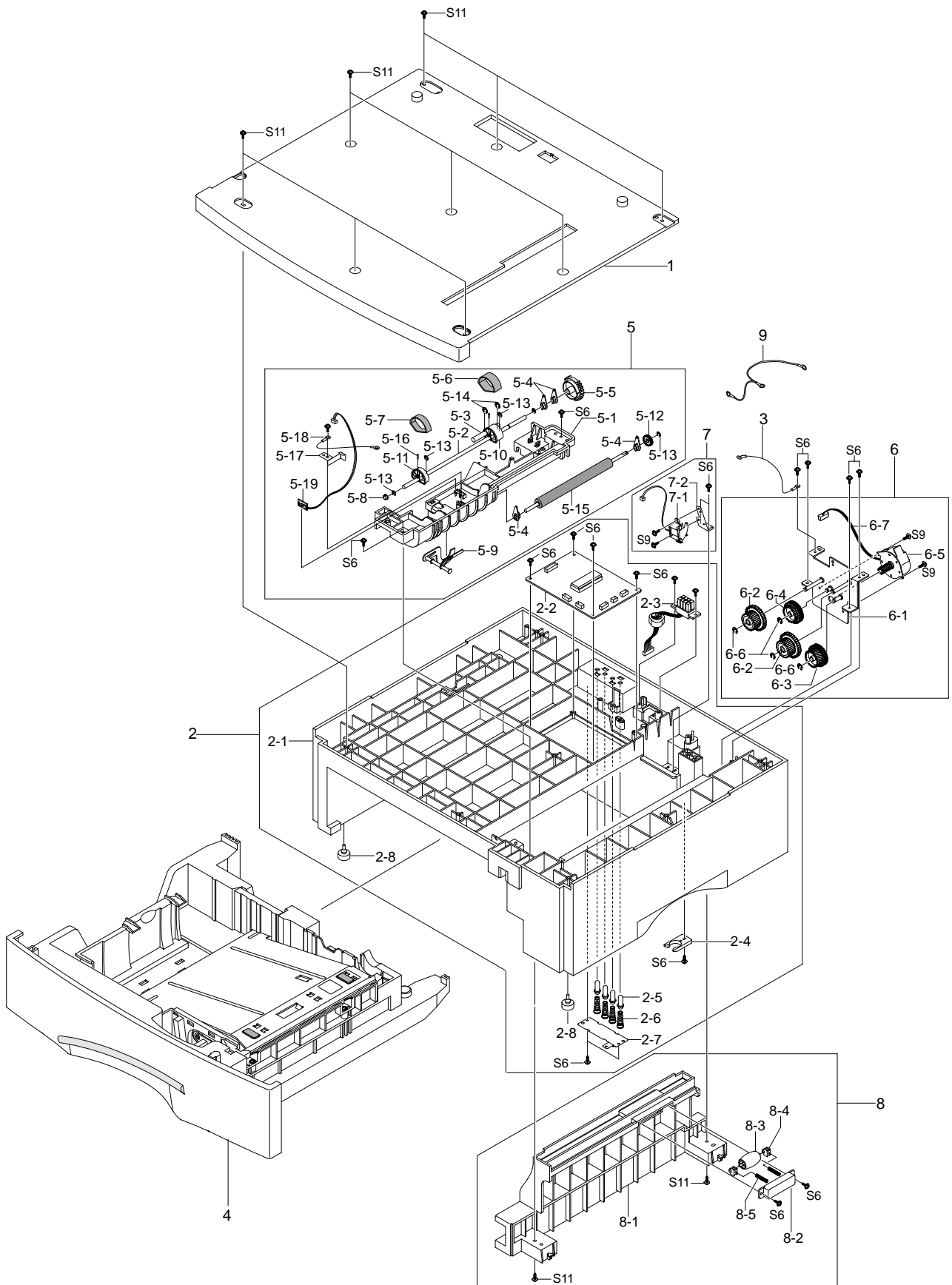
## FuserAss'y Parts List

SA : Service Available

O : Service available X : Service not available

No.	Description	SEC.Code	Q'ty	SA	Remark
0	ELA HOU-FUSER(110V)ASS'Y	JC96-03021A	1	O	▲ 110V
	ELA HOU-FUSER(220V)ASS'Y	JC96-03022A	1	O	▲ 220V
1	PMO-UPPER FUSER	JC72-01318A	1	X	
2	ELA HOU-HEAT ROLLER(110V)	JC96-03020A	1	O	▲ 110V
	ELA HOU-HEAT ROLLER(220V)	JC96-03023B	1	O	▲ 220V
3	BEARING-H/R L	JC66-10902A	2	O	
4	COVER-BRUSH	JC63-00353A	2	X	
5	SPRING-CS	6107-001172	2	O	
6	BRUSH-CARBON	JC67-00067A	2	O	
7	PEX-ROLLER EXIT F_UP	JC72-20901A	3	O	
8	IPR-PIN ROLLER EXIT	JC70-00064A	3	X	
9	ELECTRODE GEAR	JC70-00470A	1	X	
10	NPR-ELECTRODE M	JC71-00030A	1	O	
11	ELECTRODE-FRONT	JC70-00469A	1	X	
12	THERMOSTAT	4712-000001	1	O	
13	THERMISTOR-FUSER	JC14-00001A	1	X	
14	MEA UNIT-CLAW ASS'Y	JC97-01587A	1	O	
14-1	SPRING ETC-SEPARATION	JC61-70909A	4	O	
14-2	PMO-GUIDE CLAW	JC72-00376A	4	O	
15	PMO-LOWER FUSER	JC72-01316A	1	X	
16	SPRING ETC-P/R	JC61-00056A	2	O	
17	BEARING-PRESSURE/R	JC66-10901A	2	O	
18	ROLLER PRESSURE	JC66-00691A	1	X	
19	PMO-LEVER JAM R	JC66-00679A	1	X	
20	PMO-LEVER JAM F	JC66-00678A	1	X	
21	PMO-GUIDE INPUT	JC72-00817A	1	O	
22	IPR-GROUND FU	JC70-00259A	1	O	
23	MEA UNIT-ACTUATOR ASS'Y	JC97-01611B	1	O	
23-1	PMO-ACTUATOR EXIT	JC72-00810A	1	O	
23-2	PMO-GUIDE DUPLEX	JC61-00967A	1	X	
23-3	PMO-ARM ACTUATOR	JC72-00811A	1	O	
23-4	GUIDE REMOVE	JC61-00546A	1	X	
24	SPRING ETC-ACTUATOR CG	JC61-00485A	1	O	
25	LABEL(R)-CAU-HOT-FU	JC68-30928B	1	X	
26	LABEL(R)-HV FUSER	JC68-00407A	1	X	
	LABEL(R)-LV FUSER	JC68-00408A	1	X	
27	NUT-HEXAGON	6021-000222	2	X	
S1	SCREW-ASS'Y MACH	6006-001031	2	O	
S2	SCREW-TAPTITE	6003-000119	4	O	
S3	SCREW-TAPTITE	6003-000196	5	X	
S4	SCREW-MACHINE	6001-000067	2	X	

# 8.16 SCF



## SCF Parts List

SA : Service Available  
 O : Service available X : Service not available

No.	Description	SEC.Code	Q'ty	SA	Remark
0	ELA UNIT-SCF(MC2)	JC96-03009B	1	X	OPTIONAL
1	PMO-COVER TOP SCF	JC72-00935A	1	X	
2	ELA HOU-FRAME-SCF(MC2)	JC96-03005A	1	X	
2-1	PMO-BASE FRAME-SCF	JC72-00793A	1	X	
2-2	PBA SUB-SCF	JC92-01614A	1	O	
2-3	CBF HARNESS-SCF_8P	JC39-00102A	1	O	
2-4	CAM-CATCH	JC66-00050A	1	X	
2-5	ICT-SHAFT HV LARGE	JC70-40912A	4	O	
2-6	SPRING ETC--HV LARGE	JC61-00031A	4	O	
2-7	IPR-PLATE GROUND(A)	JC70-00249A	1	O	
2-8	FOOT-ML80	JC61-40001A	2	X	
3	CBF HARNESS-GND	JC39-00228A	1	X	
4	MEA UNIT-CASSETTE	JC97-01736A	1	X	
5	ELA HOU-UPPER_SCF2	JC96-03007A	1	X	
5-1	PMO-GUIDE PAPER UPPER SCF	JC72-00936A	1	X	
5-2	SHAFT-PICK_UP CST	JC66-00672A	1	X	
5-3	SHAFT-PICK_UP SUB	JC66-00596A	1	X	
5-4	PMO-BEARING SHAFT	JC72-41191A	4	X	
5-5	GEAR-PICK UP	JC66-00326A	1	X	
5-6	RUBBER-ROLLER PICKUP	JC73-00145A	1	X	
5-7	RUBBER-PICKUP ROLLER_S	JC73-00163A	1	X	
5-8	"PMO-BUSHING_P/U,MP"	JC72-41364A	1	X	
5-9	PMO-M-ACTUATOR_NO PAPER	JC72-01313A	1	X	
5-10	HOUSING-M-PICKUP LARGE	JC61-00822A	1	X	
5-11	HOUSING-M-PICKUP SMALL	JC61-00823A	1	X	
5-12	GEAR-FEED (SCF)	JC66-40955A	1	X	
5-13	RING-E ID4	6044-000125	5	X	
5-14	RING-E ID5	6044-000231	2	X	
5-15	FEED ROLLER SCF MC2	JC66-00579A	1	X	
5-16	ICT-PIN ADF	JB70-00168A	2	X	
5-17	GROUND PLATE SCF	JC63-00194A	1	X	
5-18	CBF HARNESS GND STAR WHELL	JB39-00173A	1	X	
5-19	PBA SUB-EXIT SEN	JC92-01364A	1	X	
6	ELA HOU-MOTOR_SCF2	JC96-03006A	1	X	
6-1	BRACKET SCF MOTOR	JC61-00728A	1	X	
6-2	SCF GEAR 41/23	JC66-00578A	2	X	
6-3	OPC GEAR 53/37	JC66-00580A	1	X	
6-4	SCF GEAR 53/31	JC66-00577A	1	X	

## SCF Parts List

SA : Service Available

O : Service available X : Service not available

No.	Description	SEC.Code	Q'ty	SA	Remark
6-5	MOTOR STEP-SCF (2K)	JC31-00020B	1	X	
6-6	RING-E	6044-000125	4	X	
6-7	CBF HARNESS SCF	JC39-00345A	1	X	
7	ELA HOU-SOLENOID_SCF2	JC96-03008A	1	X	
7-1	SOLENOID-PICK UP	JC33-00007A	1	X	
7-2	BRACKET CLUTCH SCF	JC61-00727A	1	X	
8	MEA UNIT-LOWER_SCF2	JC97-01883A	1	X	
8-1	PMO-GUIDE PAPER LOWER	JC72-00797A	1	X	
8-2	PMO-HOLDER IDLE ROLL16	JC72-00660A	1	X	
8-3	PMO-ROLLER IDLE (SCF)	JC72-01244A	1	X	
8-4	PMO-BUSH IDLE ROLL-SCF16	JC72-00658A	2	X	
8-5	SPRING ETC-PAD	JC61-70953A	2	X	
9	CBF HARNESS-SCF_GND	JC39-00370A	1	X	

*MEMO*

