

## 7. Exploded Views and Parts List

# Contents

7.1 Main Exploded Views . . . . .	7-2	7.10 Scan Ass'y . . . . .	7-22
7.2 Cover Ass'y . . . . .	7-4	7.11 Platen Ass'y . . . . .	7-24
7.3 Middle Cover Ass'y . . . . .	7-6	7.12 Cover Platen Ass'y . . . . .	7-26
7.4 Front Cover Ass'y . . . . .	7-8	7.13 ADF Ass'y . . . . .	7-28
7.5 Rear Cover Ass'y . . . . .	7-10	7.14 OPE Unit . . . . .	7-31
7.6 Frame Assembly . . . . .	7-12	7.15 Cassette Ass'y . . . . .	7-33
7.7 Fuser Drive Ass'y . . . . .	7-16	7.16 Fuser Ass'y . . . . .	7-35
7.8 Main Drive Ass'y . . . . .	7-18	7.17 Duplex Unit(Optional) . . . . .	7-37
7.9 MP Ass'y . . . . .	7-20		

### DIGITAL LASER MFP

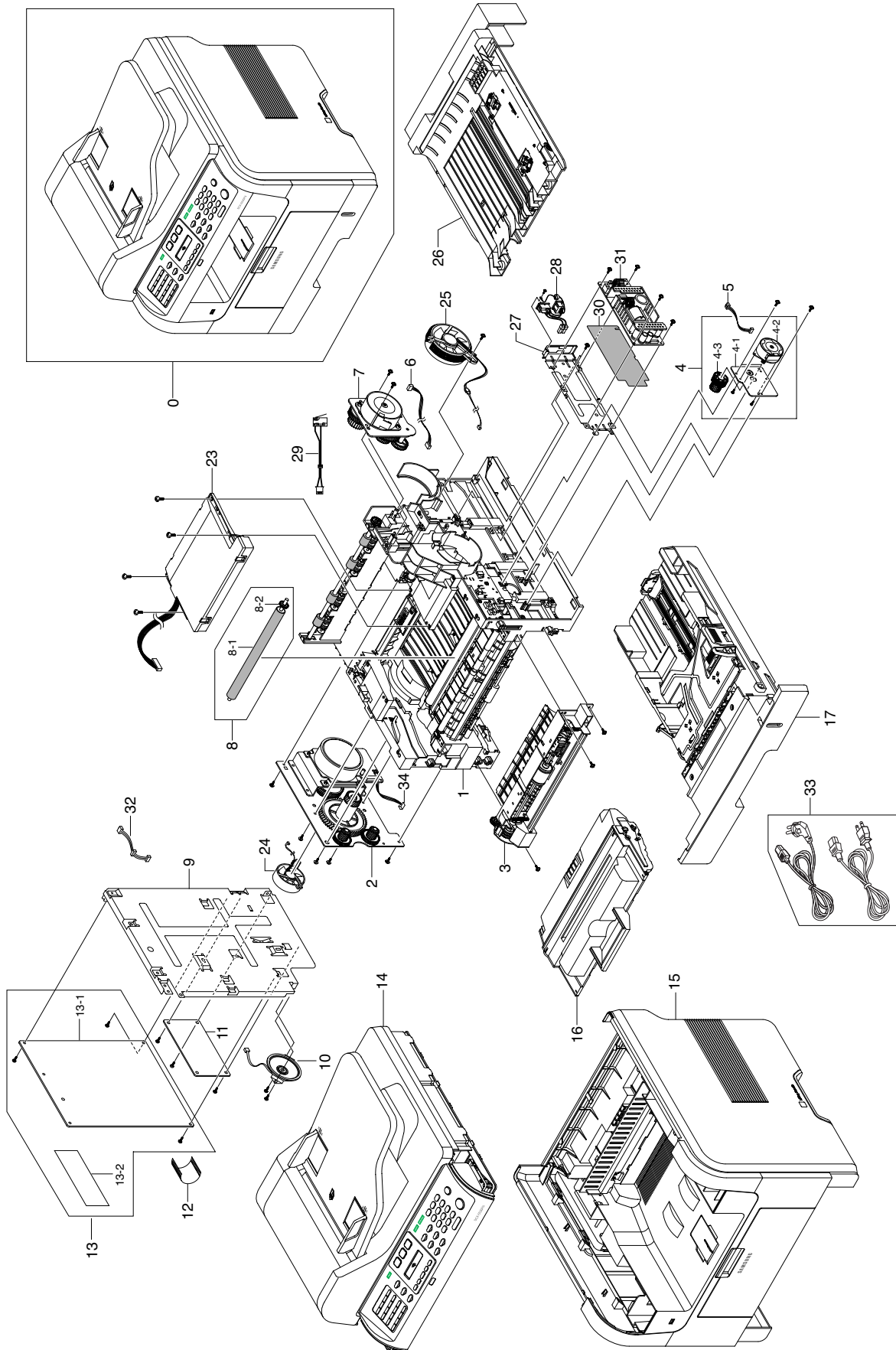


### The keynote of Product

#### [Key Features]

- 28 ppm Print speed/20 cpm Copy Speed (Printing Speed: A4/28ppm,Letter/30ppm)
- 1200 dpi Print Resolution (Addressable)
- PCL6, PS3(SCX-5530FN)
- CPU: Chorusm
- Network Solution: Scan-to-Email, Scan-to-SMB, Scan-to-FTP
- 64MB System Memory/32MB DIMM(5530FN)
- 50 ADF / MP 50 Sheet
- 250 sh Paper Input / 150 sh Paper Output
- 33.6 Kbps Fax Modem (5530FN only)
- Duplex Print (5530FN only)
- Direct USB Connectivity 2nd Version (PDF Direct Printing) (5530FN only)
- Small Foot Print
- Toner: 4K(Initial)/ 8K(sales)

## 7.1 Main Exploded Views

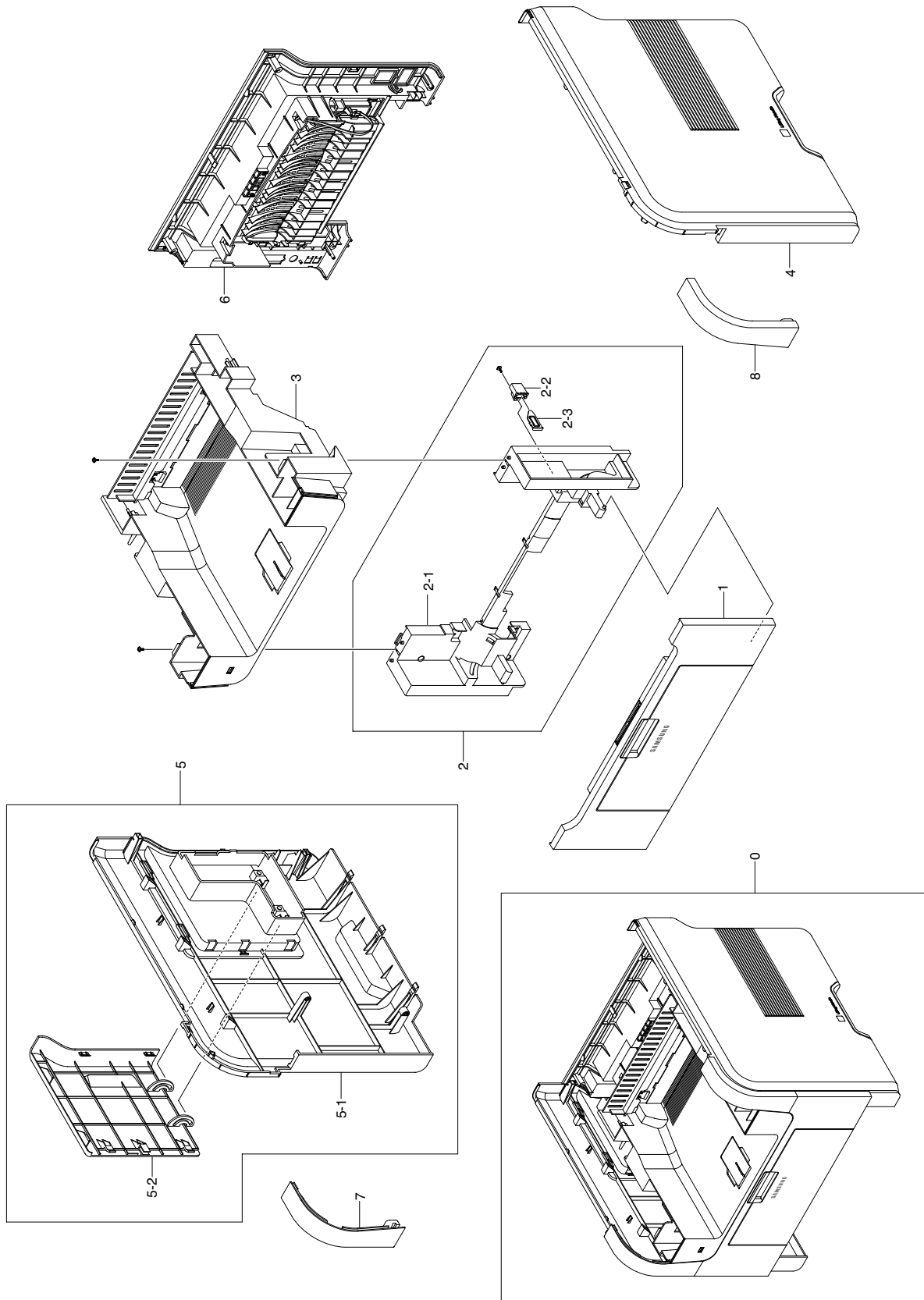


## Main Parts List

SA : SERVICE AVAILABLE, SNA : SERVICE not AVAILABLE

Drawer#	SEC_Code	Description	QT'y	Service
7.1-0	-	SET		
7.1-1	JC96-03790A	ELA HOU-FRAME 110V	1	SA
7.1-1	JC96-03789A	ELA HOU-FRAME 220V	1	SA
7.1-2	JC96-03761A	ELA UNIT-MAIN DRIVE	1	SNA
7.1-3	JC96-03837A	ELA HOU-MPF	1	SA
7.1-4	JC96-03762A	ELA UNIT-DUPLEX DRIVE	1	SA
7.1-4-1	JC61-01599A	BRACKET-P-GEAR DUP	1	SNA
7.1-4-2	JC31-00048A	MOTOR STEP-DUPLEX	1	SA
7.1-4-3	JC66-01159A	GEAR-DUP RDCN 45/19	1	SNA
7.1-5	JC39-00530A	CBF HARNESS-DPX MTR	1	SA
7.1-6	<a href="#">JC39-00538A</a>	CBF HARNESS-ADF CLUT1	1	SA
7.1-7	JC96-03866A	ELA HOU-FUSER DRIVE	1	SA
7.1-8	JC97-02652A	MEA-TRANSFER ROLLER	1	SA
7.1-8-1	<a href="#">JC66-01181A</a>	ROLLER-TRANSFER	1	SA
7.1-8-2	JC66-00395A	GEAR-TRANSFER	1	SA
7.1-9	JC63-00912A	SHIELD-P-CONTROLLER	1	SA
7.1-10	3001-001293	SPEAKER	1	SA
7.1-11	JC92-01746A	PBA SUB-MODEM	1	SA
7.1-12	JC39-00518A	CBF HARNESS-ENGINE	1	SA
7.1-13	JC96-03970A	ELA HOU-MAIN RAM DIMM	1	SA
7.1-13-1	JC92-01743A	PBA MAIN-CONTROLLER	1	SA
7.1-13-2	JC92-01836A	PBA SUB-SDRAM	1	SA
7.1-14	JC96-03773A	ELA HOU-ADF	1	SA
7.1-15	JC97-02391A	MEA-COVER	1	SNA
7.1-16	JC96-03795A	ELA UNIT-DEVE INITIAL	1	SNA
7.1-17	JC97-02413A	MEA UNIT-CASSETTE	1	SA
7.1-23	JC59-00027A	UNIT-LSU	1	SA
7.1-24	JC31-00025A	FAN-DC	1	SA
7.1-25	JC31-00025B	FAN-DC	1	SA
7.1-26	JC97-02393A	MEA UNIT-DUPLEX	1	SA
7.1-27	JC63-00913A	SHIELD-P-SMPS	1	SNA
7.1-28	JC39-00523A	CBF HARNESS-AC INLET	1	SA
7.1-29	JC39-00524A	CBF HARNESS-LSU SW	1	SA
7.1-30	JC63-00960A	SHEET-INSULATOR_SMPS	1	SNA
7.1-31	JC44-00097A	SMPS-PSP_TYPE3_V1	1	SA
7.1-31	JC44-00090A	SMPS-PSP_TYPE3_V2C	1	SA
7.1-32	JC39-00528A	CBF HARNESS-PAPER EMP	1	SA
7.1-33	-	CBF-POWER CORD	1	SA
Replacement	-	BOX(P)-MAIN	1	SA

## 7.2 Cover Ass'y

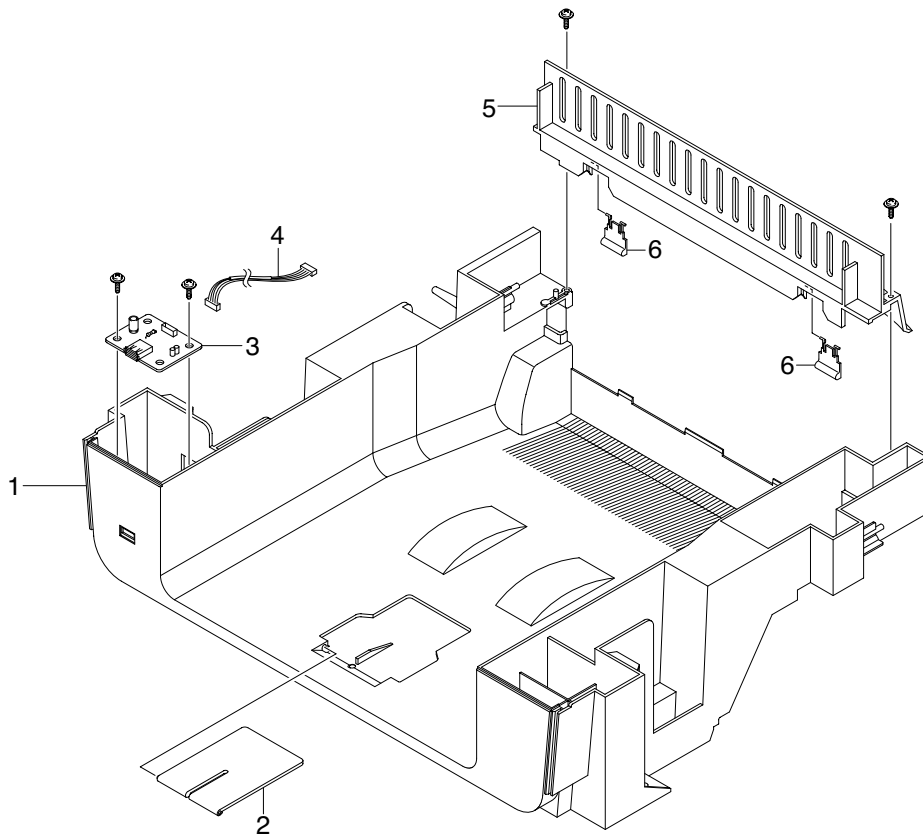
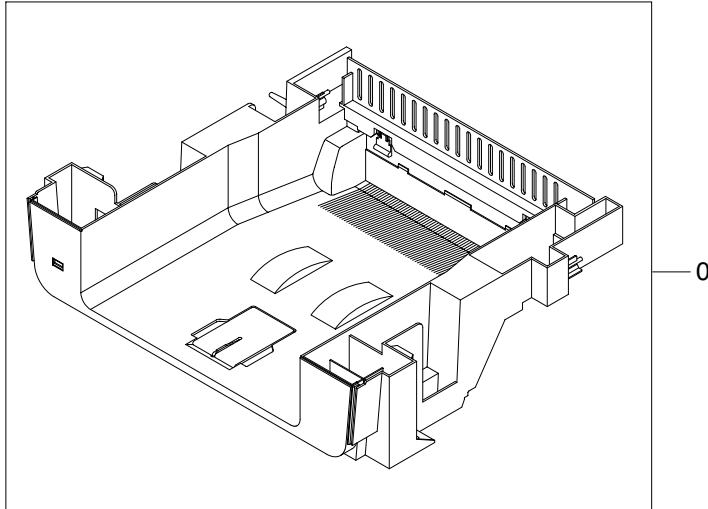


## Cover Ass'y Parts List

SA : SERVICE AVAILABLE, SNA : SERVICE not AVAILABLE

Drawer#	SEC_Code	Description	QT'y	Service
7.2-0	JC97-02391A	MEA-COVER	1	SNA
7.2-1	JC97-02420A	MEA-COVER FRONT	1	SA
7.2-2	JC97-02419A	MEA-COVER MID FRONT	1	SA
7.2-2-1	JC63-00935A	COVER-M_MID FRONT	1	SNA
7.2-2-2	JC67-00068C	CAP-M_SUB ACTUATOR	1	SNA
7.2-2-3	JC72-01339A	PMO-M-SUB ACTUATOR	1	SNA
7.2-3	JC96-03793A	ELA HOU-COVER MID	1	SA
7.2-4	JC63-00928A	COVER-M_SIDE R	1	SA
7.2-5	JC97-02417A	MEA-COVER SIDE L	1	SA
7.2-5-1	JC63-00929A	COVER-M_SIDE L	1	SNA
7.2-5-2	JC63-00930A	COVER-M_DIMM	1	SNA
7.2-6	JC97-02418A	MEA-COVER REAR	1	SA
7.2-7	JC63-00934A	COVER-M_LEFT UPPER	1	SA
7.2-8	JC63-00933A	COVER-M_RIGHT UPPER	1	SA

## 7.3 Middle Cover Ass'y

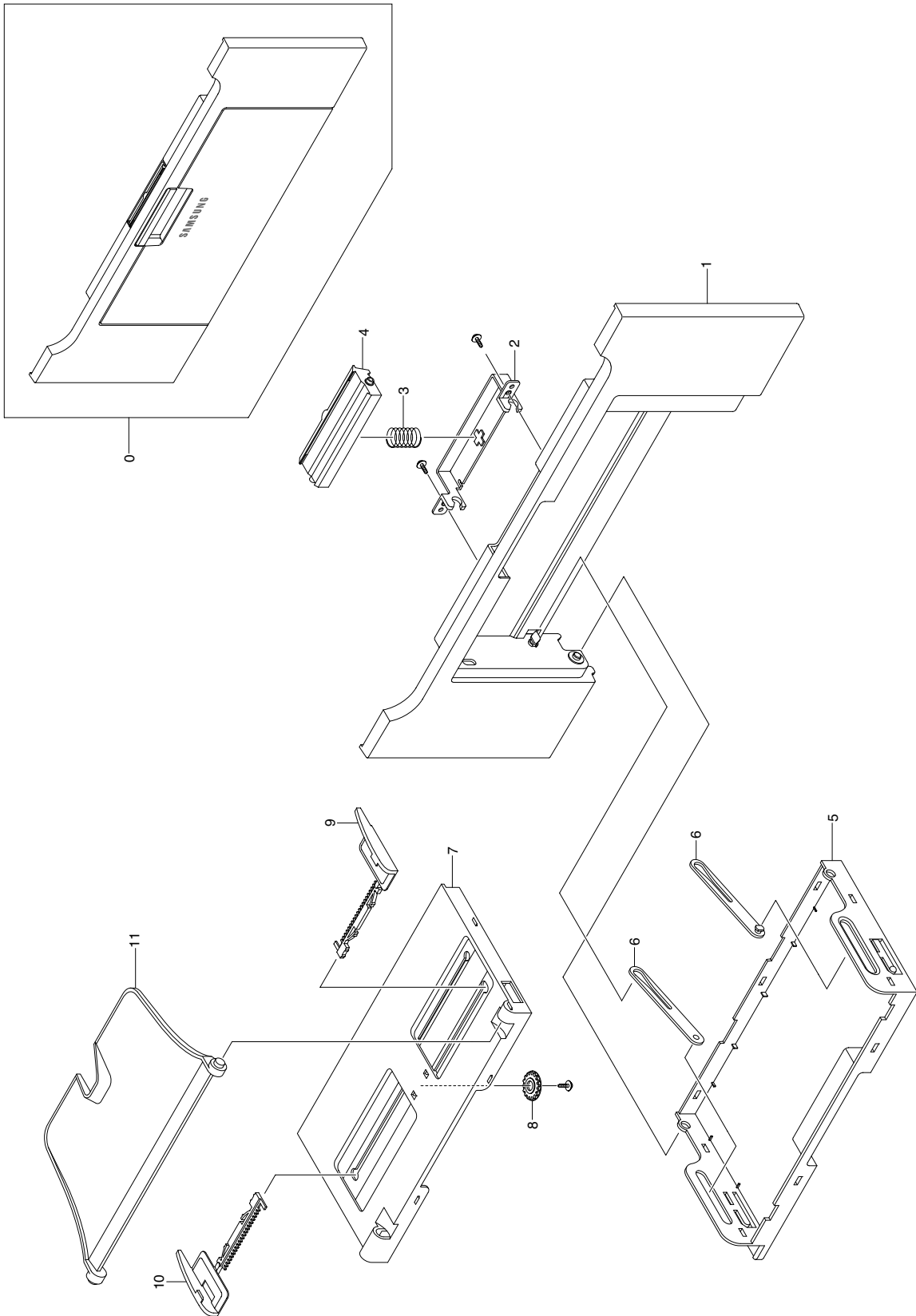


## Middle Cover Ass'y Parts List

SA : SERVICE AVAILABLE, SNA : SERVICE not AVAILABLE

Drawer#	SEC_Code	Description	QT'y	Service
7.3-0	JC96-03793A	ELA HOU-COVER MID	1	SA
7.3-1	JC63-00927A	COVER-M_MIDDLE	1	SA
7.3-2	JC63-00944A	COVER-M_STACKER RX	1	SA
7.3-3	JC92-01636A	PBA SUB-USB HOST	1	SA
7.3-4	JC39-00397A	CBF HARNESS-USB HOST	1	SA
7.3-5	JC63-00938A	COVER-M_REAR UPPER	1	SA
7.3-6	JC72-01001A	PMO-SUB STACKER	2	SA

## 7.4 Front Cover Ass'y

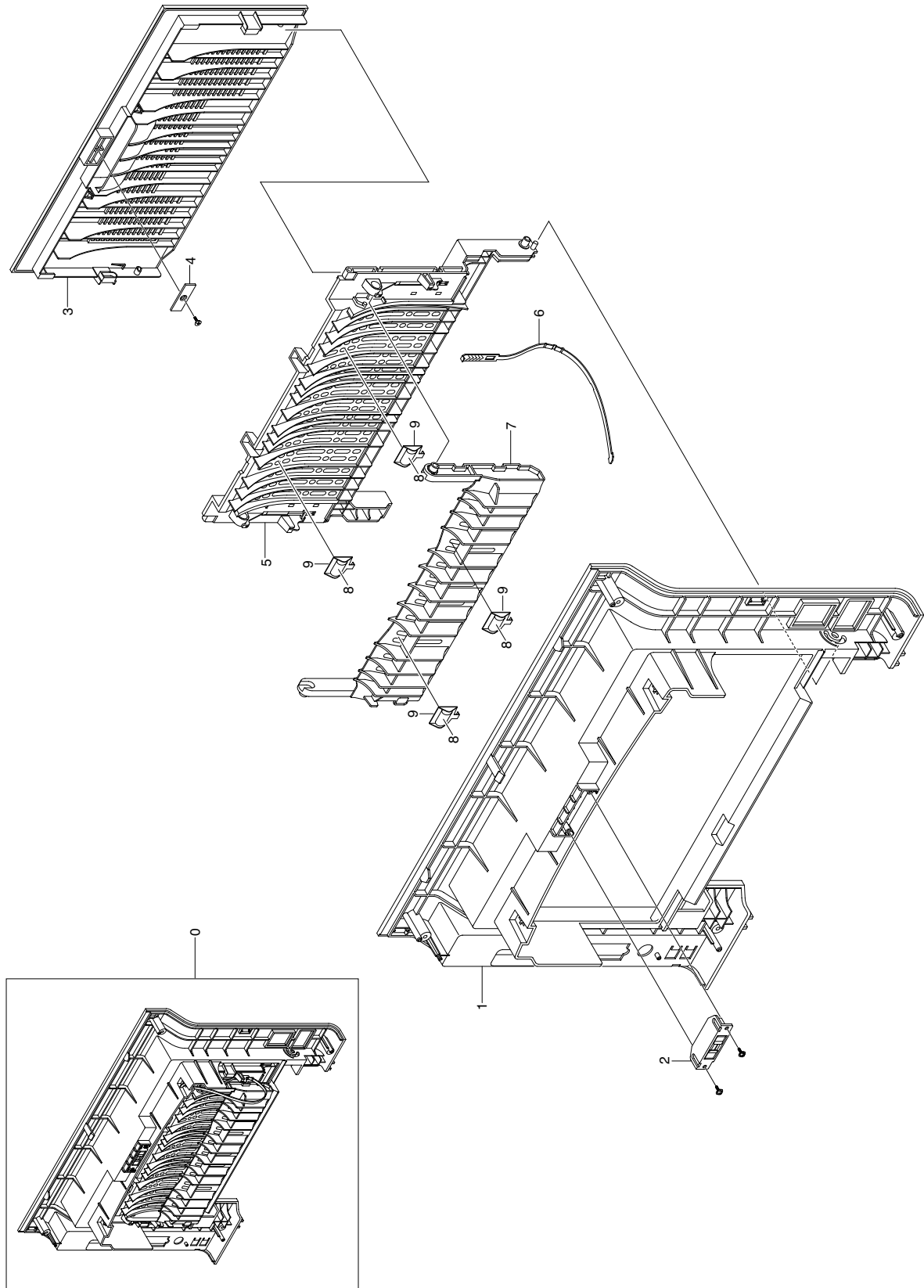


## Front Cover Ass'y Parts List

SA : SERVICE AVAILABLE, SNA : SERVICE not AVAILABLE

Drawer#	SEC_Code	Description	QT'y	Service
7.4-0	JC97-02420A	MEA-COVER FRONT	1	SA
7.4-1	JC63-00932A	COVER-M_FRONT	1	SNA
7.4-2	JC61-00953D	HOLDER-M_LOCKER	1	SA
7.4-3	JG61-70549A	SPRING ETC-CIS(C2)	1	SA
7.4-4	JC64-00154C	KNOB-M_LOCKER	1	SA
7.4-5	JC63-00447E	TRAY-M-ASF_FOLDER	1	SA
7.4-6	<a href="#">JC63-00444A</a>	TRAY-M-LINK_MP	2	SA
7.4-7	JC63-00945A	TRAY-M-ASF_INPUT	1	SNA
7.4-8	JG66-40003A	GEAR-PINION	1	SA
7.4-9	JC70-00479D	ADJUST-M_MP R	1	SNA
7.4-10	JC70-00478D	ADJUST-M_MP L	1	SNA
7.4-11	JC63-00446E	TRAY-M-ASF_INPUT UPPER	1	SA

## 7.5 Rear Cover Ass'y

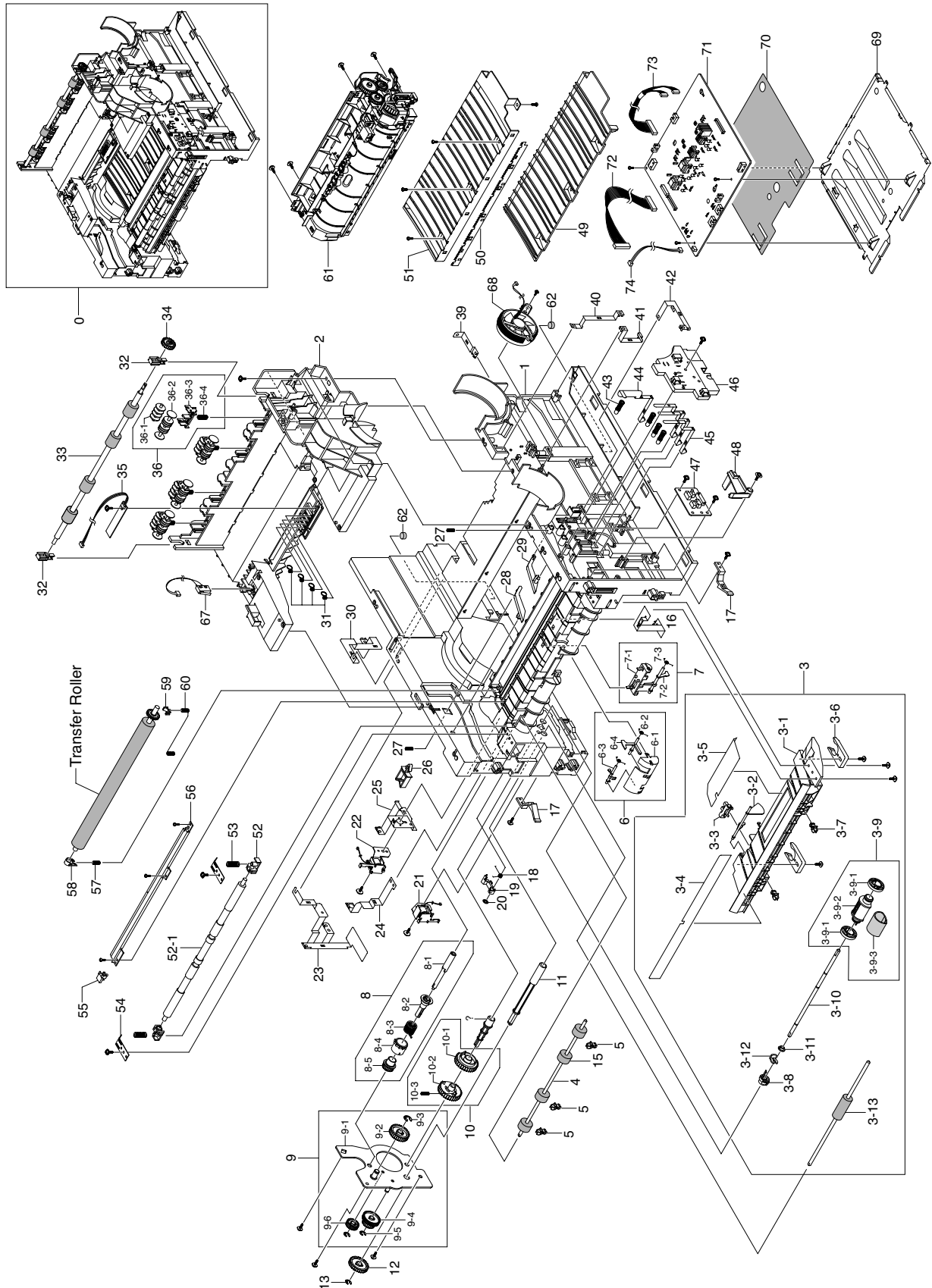


## Rear Cover Ass'y Parts List

SA : SERVICE AVAILABLE, SNA : SERVICE not AVAILABLE

Drawer#	SEC_Code	Description	QT'y	Service
7.5-0	JC97-02418A	MEA-COVER REAR	1	SA
7.5-1	JC63-00931A	COVER-M_REAR	1	SNA
7.5-2	JC61-00961A	MAGNET-CATCH DELL	1	SNA
7.5-3	JC63-00936A	COVER-M_FACE UP	1	SNA
7.5-4	JC61-00962A	PLATE-MAGNET CATCH	1	SNA
7.5-5	JC63-00937A	COVER-M STACKER REAR	1	SNA
7.5-6	JC61-01653A	STOPPER-M-STRAP	1	SNA
7.5-7	JC61-01583A	GUIDE-OUTPUT FUSER	1	SNA
7.5-8	JC61-00785A	HOLDER-M-IDLE ROLLER	4	SNA
7.5-9	JC72-40981A	PMO-ROLLER UPPER DP	4	SNA

## 7.6 Frame Assembly



## Frame Assembly Parts List

SA : SERVICE AVAILABLE, SNA : SERVICE not AVAILABLE

Drawer#	SEC_Code	Description	QT'y	Service
7.6-0	JC96-03790A	ELA HOU-FRAME 110V	1	SA
7.6-0	JC96-03789A	ELA HOU-FRAME 220V	1	SA
7.6-1	JC61-01620A	FRAME-M_BASE	1	SNA
7.6-2	JC61-01621A	FRAME-M_EXIT	1	SNA
7.6-3	JC96-03829A	ELA HOU-GUIDE DUP F	1	SA
7.6-3-1	JC61-01600A	GUIDE-M_FRONT DUPLEX	1	SNA
7.6-3-2	JC66-01187A	LEVER-ACTUATOR EMPTY	1	SA
7.6-3-3	0604-001154	PHOTO-INTERRUPTER	1	SA
7.6-3-4	JC63-01095A	SHEET-GUIDE DUP_OUT	1	SNA
7.6-3-5	JC63-00992A	SHEET-GUIDE FRONT DU	1	SNA
7.6-3-6	JC66-01170A	CAM-SHAFT PICK UP	2	SNA
7.6-3-7	JC72-00382B	PMO-BUSHING FEED	2	SA
7.6-3-8	JC61-01367A	FIXER-M_E RING 4PI	1	SNA
7.6-3-9	JC97-02441A	MEA-ROLLER PICK UP	1	SA
7.6-3-9-1	JC66-01169A	ROLLER-IDLE PICK UP	2	SA
7.6-3-9-2	JC61-01601A	HOUSING-M_PICK UP	1	SA
7.6-3-9-3	JC66-01168A	ROLLER-PICK UP	1	SA
7.6-3-10	JC66-01171A	SHAFT-PICK UP	1	SNA
7.6-3-11	JC72-41364A	PMO-BUSHING_P/U,MP	1	SA
7.6-3-12	JC66-00050A	CAM-CATCH	1	SA
7.6-3-13	JC66-01173A	ROLLER-FEED	1	SA
7.6-4	JC66-00527A	SHAFT-FEED IDLE	1	SA
7.6-5	JC61-00585A	BUSH-M-FEED IDLE	3	SA
7.6-6	Not ssign	FEED1 ASSY	1	SNA
7.6-6-1	<a href="#">JC61-01619A</a>	HOLDER-M_ACT REGI	1	SA
7.6-6-2	<a href="#">6107-001164</a>	SPRING-TS	2	SA
7.6-6-3	<a href="#">JC66-01189A</a>	LEVER-M_ACTUATOR FEED	1	SA
7.6-6-4	JC66-01191A	LEVER-M_ACTUATOR REGI	1	SA
7.6-7	Not ssign	FEED2 ASSY	1	SNA
7.6-7-1	JC61-01618A	HOLDER-M_ACT FEED	1	SA
7.6-7-2	JC66-01190A	LEVER-M_ACT DUP OUT	1	SA
7.6-7-3	<a href="#">6107-001164</a>	SPRING-TS	1	SA
7.6-8	JC97-01788A	MEA UNIT-CLUTCH	1	SA
7.6-8-1	JC66-00398A	SHAFT-FEED	1	SA
7.6-8-2	JC72-00981A	PMO-HUB CLUTCH	1	SNA
7.6-8-3	6107-001171	SPRING-TS	1	SA
7.6-8-3	6107-001156	SPRING-TS	1	SA
7.6-8-4	JC72-00978A	PMO-COLLAR_SPRING	1	SA
7.6-8-5	JC66-00393A	GEAR-FEED 1	1	SA
7.6-9	JC97-02394A	MEA UNIT-BRACKET FEED	1	SNA
7.6-9-1	JC61-01582A	BRACKET-P-FEED	1	SNA
7.6-9-2	JC66-01166A	GEAR-IDLE Z29 HELICAL	1	SNA
7.6-9-3	6044-000231	RING-E	1	SA
7.6-9-4	JC66-01164A	GEAR-RETARD 39/19	1	SNA

## Frame Assembly Parts List

SA : SERVICE AVAILABLE, SNA : SERVICE not AVAILABLE

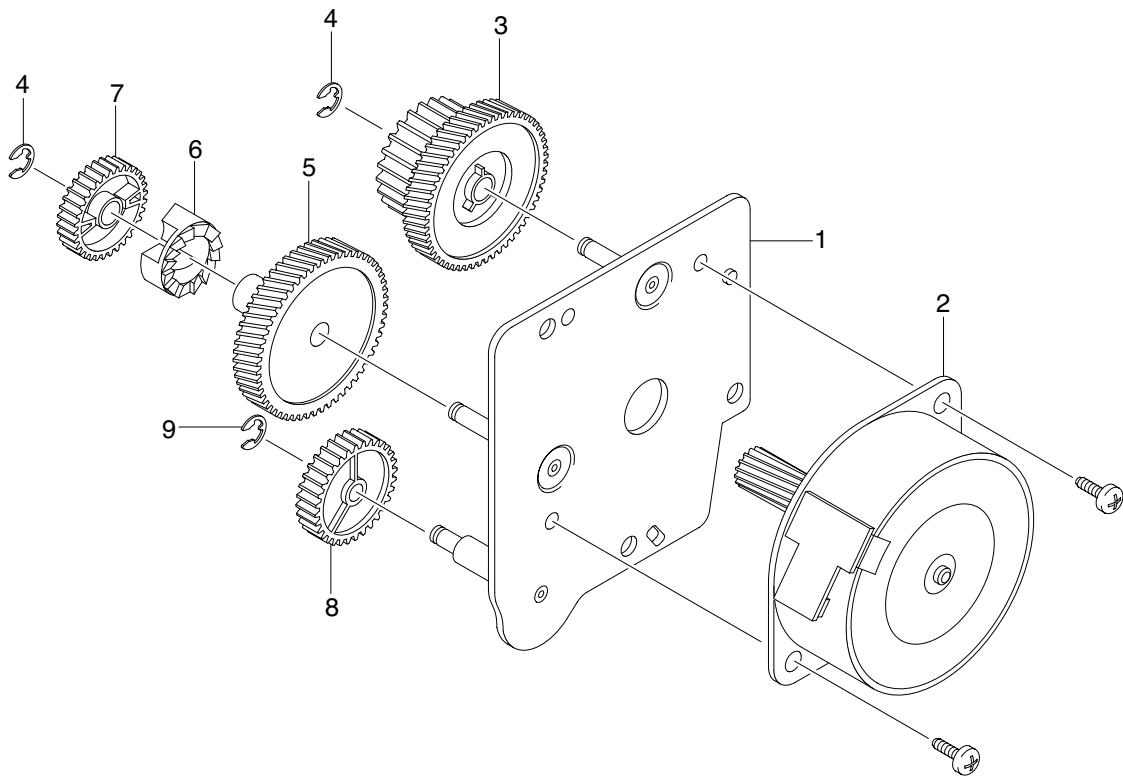
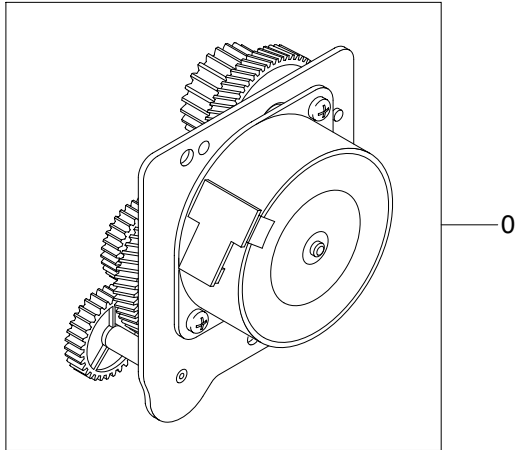
Drawer#	SEC_Code	Description	QT'y	Service
7.6-9-5	6044-000125	RING-E	2	SA
7.6-9-6	JC66-00484A	GEAR-T2 IDEL_Z27	1	SA
7.6-10	JC97-02648A	MEA UNIT-GEAR PICK UP	1	SA
7.6-10-1	JC66-01183A	GEAR-PICK UP_INNER	1	SNA
7.6-10-2	JC66-01184A	GEAR-PICK UP_OUTER	1	SA
7.6-10-3	6107-001167	SPRING-CS	1	SNA
7.6-11	JC66-01160A	SHAFT-M_FEED2	1	SNA
7.6-12	JC66-01165A	GEAR-FEED2 Z27	1	SNA
7.6-13	6107-001237	SPRING-ES	1	SNA
7.6-15	JC66-00526A	ROLLER-FEED ROLLER 1	1	SA
7.6-16	JC63-00918A	GROUND-P-EARTH TR	1	SNA
7.6-17	JC72-00983A	PMO-LOCKER CST	2	SA
7.6-18	6107-001170	SPRING-TS	1	SA
7.6-19	JC66-00377A	CAM-M-PICK_UP	1	SA
7.6-20	6044-000001	RING-CS	1	SNA
7.6-21	JC33-00010A	SOLENOID-HB (MANUAL)	1	SA
7.6-22	JC33-00014A	SOLENOID-FEED ROCKY2	1	SA
7.6-23	JC63-00917A	GROUND-P-DRIVE	1	SNA
7.6-24	JC63-00923A	GROUND-P-PUSH BUSHING	1	SNA
7.6-25	JC63-00922A	GROUND-P-DRIVE2	1	SNA
7.6-26	6502-001093	CABLE CLAMP	1	SNA
7.6-27	JC61-70932A	SPRING ETC-GUIDE DEVE	1	SA
7.6-28	JC72-00984A	PMO-PLATE GUIDE DEVE_L	1	SA
7.6-29	JC72-00985A	PMO-PLATE GUIDE DEVE_R	1	SA
7.6-30	JC63-00926A	GROUND-P-SHIELD	1	SNA
7.6-31	JC65-00019A	TERMINAL-P_CRUM	4	SA
7.6-32	JC61-00829A	HOLDER-BEARING EXIT F/DOWN	2	SA
7.6-33	JC97-01034A	MEA RACK-EXIT ROLLER	1	SA
7.6-34	JC66-01196A	ROLLER-EXIT F/DOWN	1	SNA
7.6-35	JC92-01829A	PBA SUB-TERMINAL	1	SA
7.6-36	JC97-01034A	MEA RACK-EXIT ROLLER	4	SA
7.6-36-1	JC72-41007A	PMO-ROLLER FD F	1	SNA
7.6-36-2	JC72-41008A	PMO-ROLLER FD R	1	SNA
7.6-36-3	JC72-41006A	PMO-HOLDER EXIT ROLL	1	SNA
7.6-36-4	JC61-70911A	SPRING ETC-EXIT ROLL FD	1	SNA
7.6-39	JC63-00920A	GROUND-P-FUSER	1	SNA
7.6-40	JC63-00925A	GROUND-P-MOTOR FUSER	1	SNA
7.6-41	JC63-00924A	GROUND-P-SHIELD SMPS	1	SNA
7.6-42	JC63-00921A	GROUND-P-GUIDE TR	1	SNA
7.6-43	JC75-00049A	MEC-TERMINAL	4	SA
7.6-43-1	JC61-00035A	SPRING ETC-HV APOLLO	1	SNA
7.6-43-2	JC70-00050A	IPR-TERMINAL	1	SNA
7.6-44	JC65-00014A	TERMINAL-P-HV CR	1	SNA
7.6-45	JC70-00312A	IPR-P-TERMINAL CON	4	SA

## Frame Assembly Parts List

SA : SERVICE AVAILABLE, SNA : SERVICE not AVAILABLE

Drawer#	SEC_Code	Description	QT'y	Service
7.6-46	JC61-01584A	HOUSING-M_TERMINAL	1	SNA
7.6-47	JC92-01828A	PBA SUB-CONNECTION	1	SA
7.6-48	JC72-00974A	PMO-ACTUATOR CVR OPEN	1	SA
7.6-49	JC61-01746A	GUIDE-TR RIB	1	SNA
7.6-50	JC61-00604B	PLATE-E_SAW	1	SA
7.6-51	JC61-00607A	GUIDE-P-TR	1	SA
7.6-52	JC61-00585A	BUSH-M-FEED IDLE	2	SNA
7.6-52-1	JC66-00527A	SHAFT-FEED IDLE	1	SNA
7.6-53	JC61-70958A	SPRING ETC-TR	2	SNA
7.6-54	JC61-00914A	PLATE-P-PUSH BUSHING	2	SA
7.6-53	JC61-70958A	SPRING ETC-TR	1	SA
7.6-54	JC61-00914A	PLATE-P-PUSH BUSHING	1	SNA
7.6-55	JC61-00907A	HOLDER-M-PTL R2	1	SA
7.6-56	JC70-00307A	IPR-P-EARTH TRANSFER	1	SA
7.6-57	JC61-00047A	SPRING ETC-TR L HAWK	1	SA
7.6-58	JC61-00588A	BUSH-M-TR L	1	SA
7.6-59	<a href="#">JC72-00102A</a>	PMO-BUSHING_TR(L)	1	SA
7.6-60	JC63-00918A	GROUND-P-EARTH TR	1	SNA
7.6-61	JC96-03790A	ELA HOU-FRAME 110V	1	SA
7.6-61	JC96-03789A	ELA HOU-FRAME 220V	1	SA
7.6-62	JC61-00835A	FOOT-BACK	2	SA
7.6-67	JC61-01618A	HOLDER-M_ACT FEED	1	SNA
7.6-68	JC31-00025A	FAN-DC	1	SA
7.6-69	JC63-00914A	SHIELD-P-HVPS	1	SNA
7.6-70	JC63-00961A	SHEET-INSULATOR_HVPS	1	SNA
7.6-71	JC44-00107A	HVPS-ELBERT	1	SA
7.6-72	JC39-00526A	CBF HARNESS-DUPLEX	1	SA
7.6-73	JC39-00519A	CBF HARNESS-SMPS	1	SA

## 7.7 Fuser Drive Ass'y

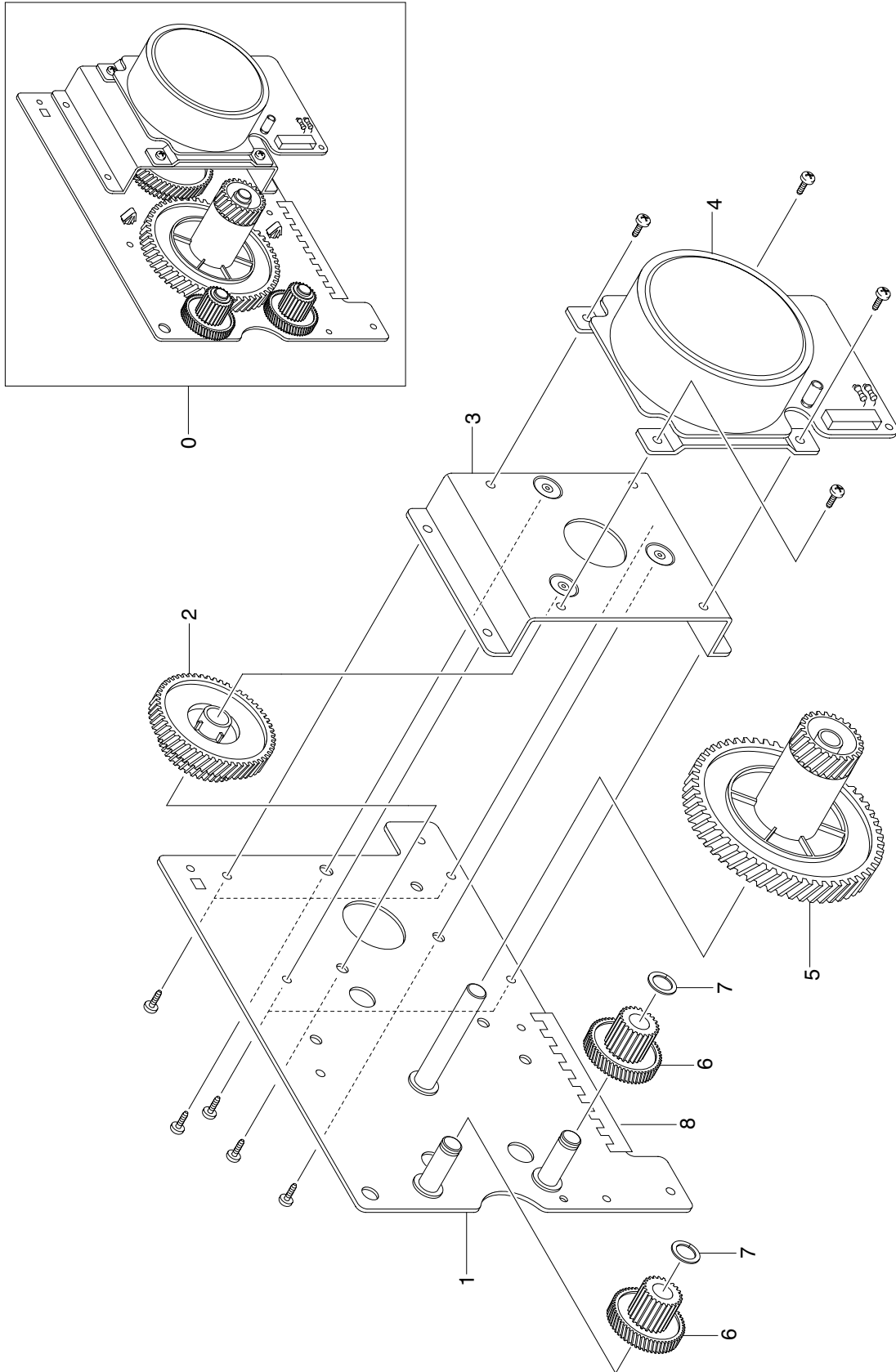


## Fuser Drive Ass'y Parts List

SA : SERVICE AVAILABLE, SNA : SERVICE not AVAILABLE

Drawer#	SEC_Code	Description	QT'y	Service
7.3-0	JC96-03793A	ELA HOU-COVER MID	1	SA
7.7-0	JC96-03866A	ELA HOU-FUSER DRIVE	1	SNA
7.7-1	JC61-01598A	BRACKET-P-FUSER EXIT	1	SNA
7.7-2	JC31-00037E	MOTOR STEP-MAIN	1	SA
7.7-3	JC66-01158A	GEAR-EXIT RDCN 87/24	1	SNA
7.7-4	6044-000231	RING-E	2	SA
7.7-5	JC66-01163A	GEAR-FUSER RDCN IN 95	1	SNA
7.7-6	JC66-00340A	GEAR-HUB CLUTCH	1	SA
7.7-7	JC66-00417A	GEAR-RDCN FUSER OUT	1	SA
7.7-8	<a href="#">JC66-01210A</a>	GEAR-FUSER IDLE FR	1	SA
7.7-9	6044-000125	RING-E	1	SA

## 7.8 Main Drive Ass'y

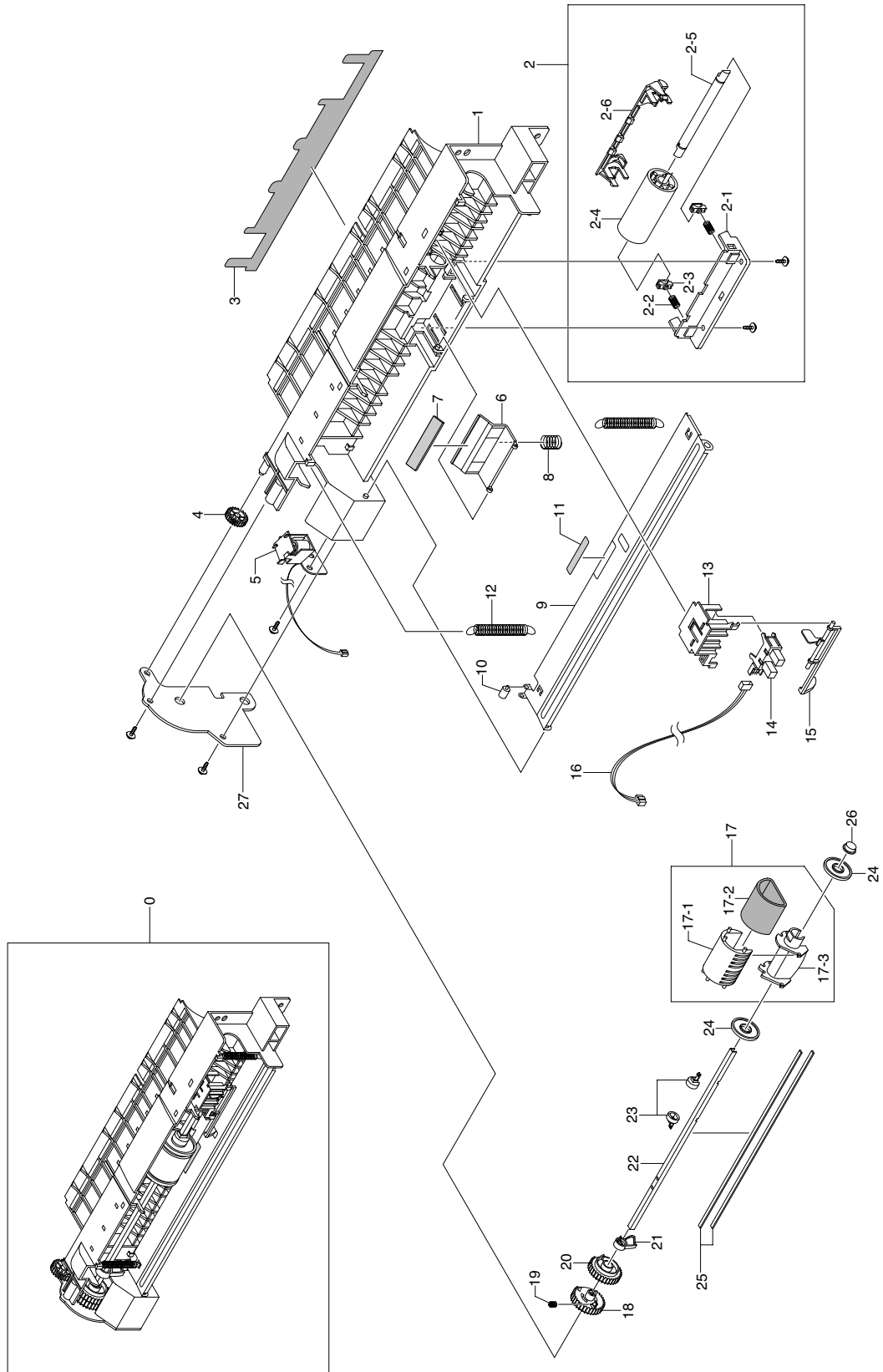


## Main Drive Ass'y Parts List

SA : SERVICE AVAILABLE, SNA : SERVICE not AVAILABLE

Drawer#	SEC_Code	Description	QT'y	Service
7.8-0	JC96-03761A	ELA UNIT-MAIN DRIVE	1	SA
7.8-1	JC61-01593A	BRACKET-P-GEAR MAIN	1	SNA
7.8-2	JC66-01156A	GEAR-OPC RDCN 93/61	1	SNA
7.8-3	JC61-01597A	BRACKET-P-MOTOR MAIN	1	SNA
7.8-4	JC31-00047A	MOTOR DC-BLDC MAIN	1	SA
7.8-5	JC66-01157A	GEAR-OPC DRV 113/33	1	SNA
7.8-6	JC66-01162A	GEAR-FEED RDCN 55/18	2	SNA
7.8-7	6031-000023	WASHER-PLAIN	2	SNA
7.8-8	6302-001056	GASKET	1	SNA

## 7.9 MP Ass'y

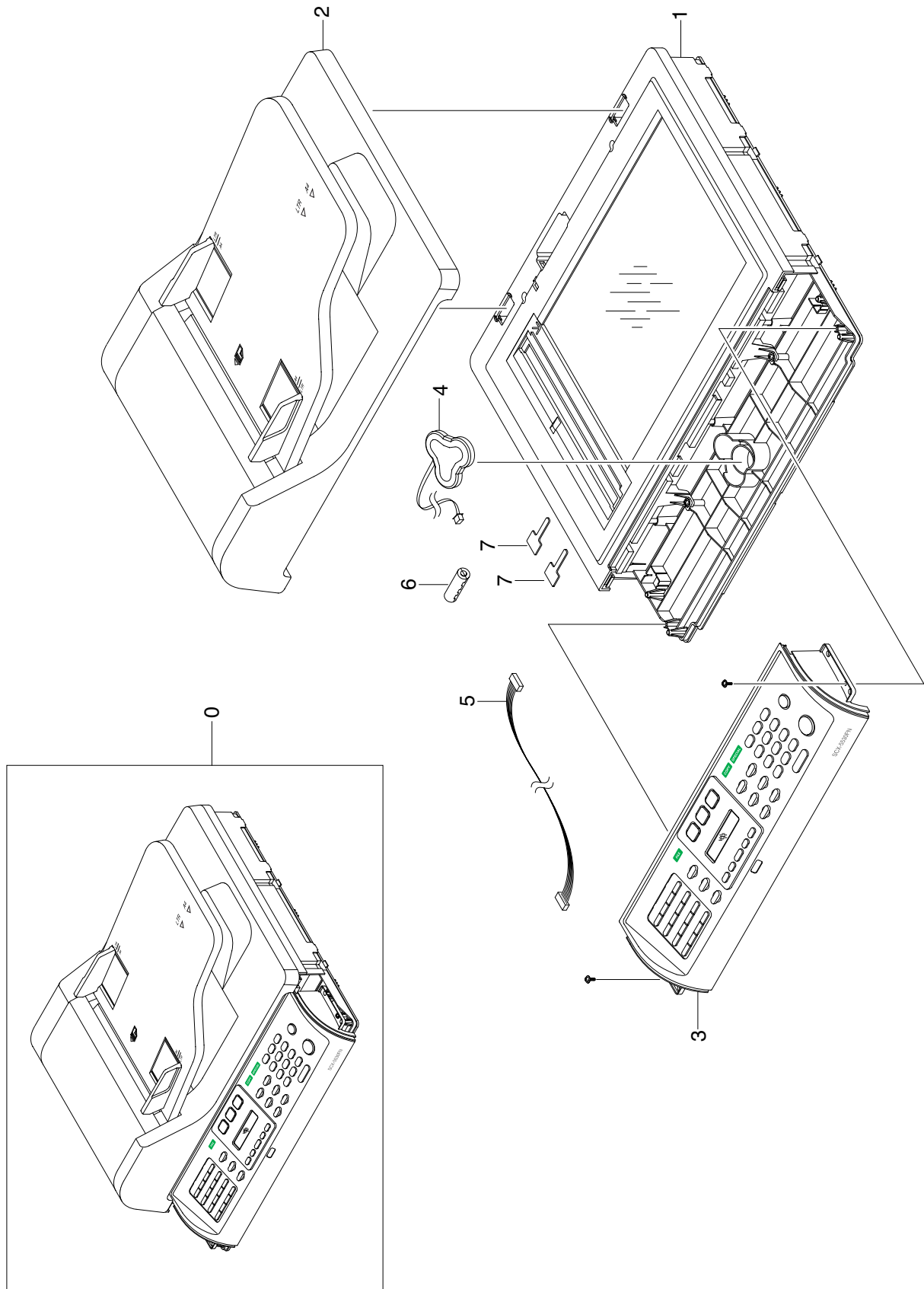


## MP Ass'y Parts List

SA : SERVICE AVAILABLE, SNA : SERVICE not AVAILABLE

Drawer#	SEC_Code	Description	QT'y	Service
7.9-0	JC96-03837A	ELA HOU-MPF	1	SA
7.9-1	JC61-01603A	FRAME-M_MP	1	SNA
7.9-2	JC97-02443A	MEA-IDLE FEED	1	SNA
7.9-2-1	JC61-01604A	HOLDER-M_IDLE FEED	1	SNA
7.9-2-2	JC61-00484A	SPRING ETC-EXIT LOWER IDLE	1	SA
7.9-2-3	JC61-01605A	HOLDER-M_SHAFT IDLE	1	SNA
7.9-2-4	JC66-01186A	ROLLER-IDLE FEED	1	SNA
7.9-2-5	JC66-01172A	SHAFT-IDLE FEED	1	SNA
7.9-2-6	JC63-00997A	COVER-M_IDLE FEED	1	SNA
7.9-3	JC63-01094A	SHEET-GUIDE MP	1	SA
7.9-4	<a href="#">JC66-00396A</a>	GEAR-IDLE 23	1	SA
7.9-5	JC33-00015A	SOLENOID-MP	1	SA
7.9-6	JC61-00924A	HOLDER-M-PAD_MP	1	SA
7.9-7	<a href="#">JC73-00140A</a>	RPR-FRICTION PAD	1	SA
7.9-8	JC61-70911A	SPRING ETC-EXIT ROLL FD	1	SA
7.9-9	JC61-00927A	PLATE-P-KNOCK UP_MP	1	SNA
7.9-10	JC72-00761A	PMO-ROLLER CAM.MP	1	SA
7.9-11	<a href="#">JC73-00141A</a>	RPR-PAD CASSETTE	1	SA
7.9-12	6107-001237	SPRING-ES	2	SA
7.9-13	JC61-00926A	HOLDER-M-SENSOR_MP	1	SA
7.9-14	0604-001095	PHOTO-INTERRUPTER	1	SA
7.9-15	JC72-01338A	PMO-M-ACT EMPTY MP	1	SA
7.9-16	JC39-00365A	CBF HARNESS-MPF SEN	1	SA
7.9-17	JC97-02034A	MEA-PICK UP_MP	1	SA
7.9-17-1	JC61-00925A	HOUSING-M_PICK UP_MP	1	SA
7.9-17-2	JC73-00194A	RUBBER-PICK UP MP	1	SA
7.9-17-3	JC61-00910A	HOUSING-M-PICK UP2_R2	1	SA
7.9-18	JC66-00710A	GEAR-M-PICK UP_MP	1	SA
7.9-19	JC61-00484A	SPRING ETC-EXIT LOWER IDLE	1	SA
7.9-20	JC66-00709A	GEAR-M-HOLDER_MP	1	SA
7.9-21	JC66-01205A	CAM-M_PICK UP MP	1	SA
7.9-22	JC66-00399A	SHAFT-P-PICK_UP	1	SA
7.9-23	JC61-00915A	STOPPER-M-PICK UP_R2	2	SA
7.9-24	JC72-00982A	PMO-IDLE PICK_UP	2	SA
7.9-25	JC66-00720A	SHAFT-P-CORE	2	SA
7.9-26	JC61-00587A	BUSH-M-PICK_UP R	1	SA
7.9-27	JC61-00932A	BRACKET-P-PICKUP_MP	1	SA

## 7.10 Scan Ass'y

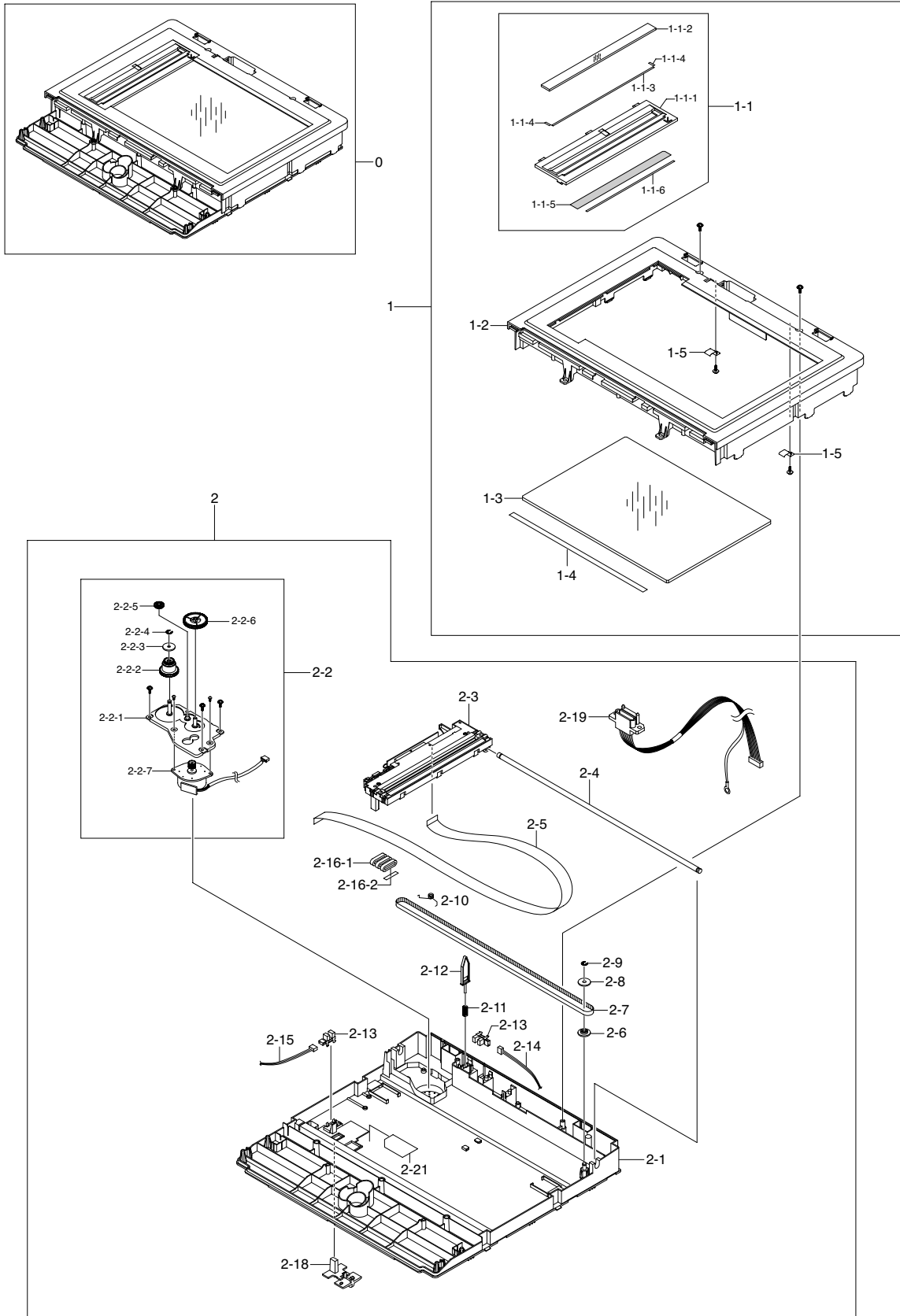


## Scan Ass'y Parts List

SA : SERVICE AVAILABLE, SNA : SERVICE not AVAILABLE

Drawer#	SEC_Code	Description	QT'y	Service
7.10-0	JC96-03777A	ELA HOU-SCAN 4IN1	1	SA
7.10-1	JC96-03784A	ELA HOU-ADF LOWER	1	SA
7.10-2	JC96-03773A	ELA HOU-ADF	1	SA
7.10-3	JC96-03787A	ELA HOU-OPE 4IN1	1	SA
7.10-4	4302-001183	BATTERY-NIH(2ND)	1	SA
7.10-5	JC39-00513A	CBF HARNESS-OPE	1	SNA
7.10-6	3301-001635	CORE-FERRITE	1	SNA
7.10-7	6502-000121	CABLE CLAMP	2	SNA

## 7.11 Platen Ass'y

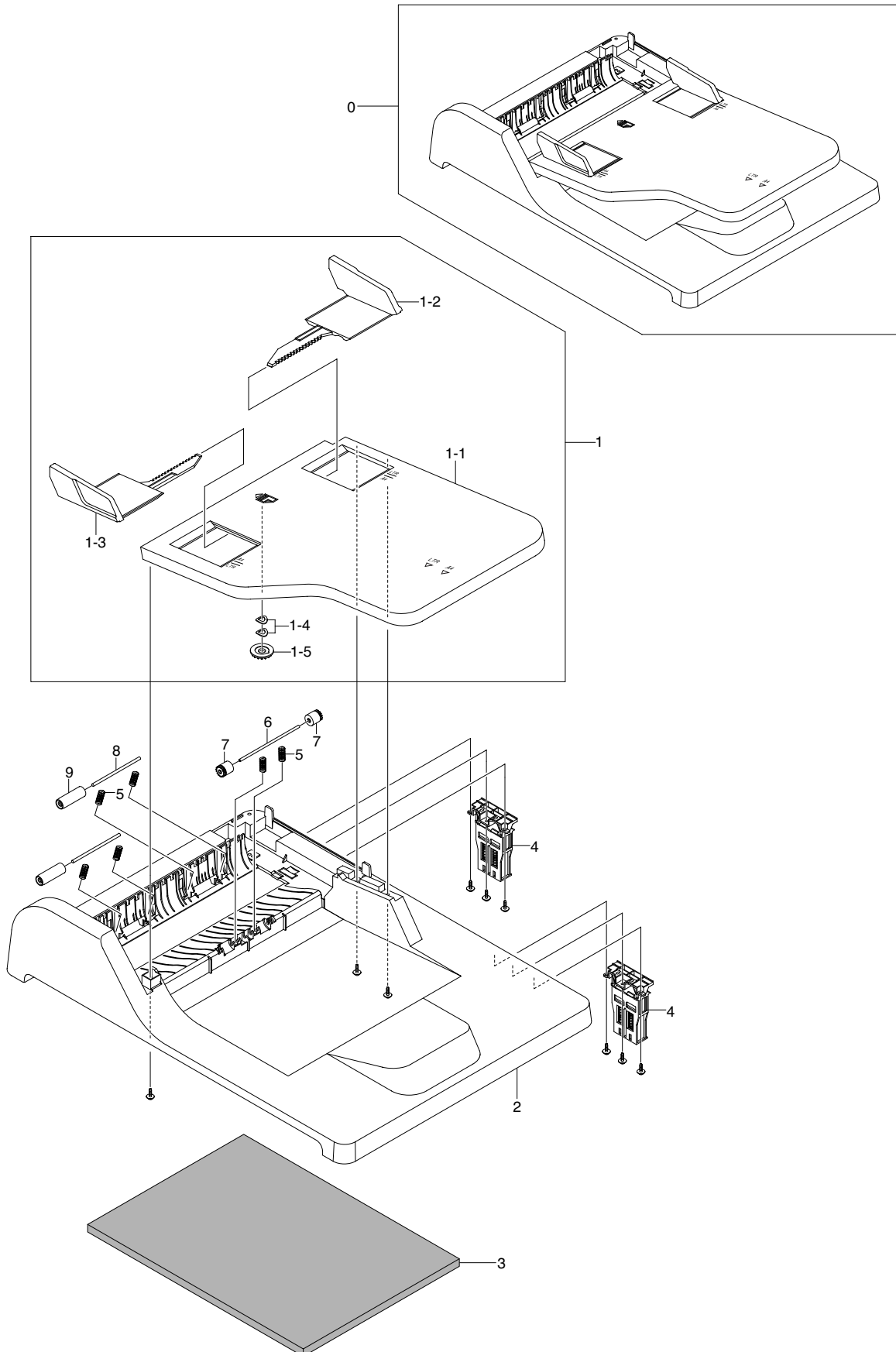


## Platen Ass'y Parts List

SA : SERVICE AVAILABLE, SNA : SERVICE not AVAILABLE

Drawer#	SEC_Code	Description	QT'y	Service
7.11-0	JC96-04067A	ELA HOU-PLATEN	1	SA
7.11-1	JC97-02412A	MEA-SCAN UPPER	1	SA
7.11-1-1	JC97-02429A	MEA UNIT-SCAN DUMMY	1	SA
7.11-1-1-1	JC63-00152F	COVER-M_SCAN DUMMY	1	SA
7.11-1-1-2	JC74-00021A	MCT-GLASS ADF	1	SA
7.11-1-1-3	0203-001744	TAPE-DOUBLE FACE	1	SNA
7.11-1-1-4	JC02-00013A	TAPE ETC-DOUBLE TAPE SMALL	2	SNA
7.11-1-1-5	JB68-00644A	LABEL(P)-SHADING	1	SNA
7.11-1-1-6	0203-001266	TAPE-DOUBLE FACE	1	SNA
7.11-1-2	JC63-00990A	COVER-M_SCAN UPPER	1	SNA
7.11-1-3	JC01-00001A	GLASS-SCAN	1	SA
7.11-1-4	0203-001267	TAPE-DOUBLE FACE	1	SNA
7.11-1-5	JB70-00148A	IPR-HOLDER GLASS	2	SA
7.11-2	JC96-04068A	ELA HOU-SCAN LOWER	1	SNA
7.11-2-1	JC63-00989A	COVER-M_SCAN LOWER	1	SNA
7.11-2-2	JC96-03069A	ELA HOU-SCAN MOTOR	1	SA
7.11-2-2-1	JC61-00895A	BRACKET-SCAN MOTOR R2	1	SA
7.11-2-2-2	JC66-00531A	GEAR-TIMING	1	SA
7.11-2-2-3	JB72-00764A	PMO-HOLDER BELT	1	SA
7.11-2-2-4	6044-000125	RING-E	1	SA
7.11-2-2-5	JB66-00083A	GEAR-IDLE	1	SA
7.11-2-2-6	JC66-00530A	GEAR-REDUCTION73/37	1	SA
7.11-2-2-7	JB31-00011A	MOTOR STEP-SCAN	1	SA
7.11-2-3	JC96-03819A	ELA HOU-CCDM_2905	1	SA
7.11-2-4	JB70-00145A	ICT-SHAFT CCD	1	SNA
7.11-2-5	JC39-00514A	CBF SIGNAL-CCD FFC	1	SA
7.11-2-6	JB72-00763A	PMO-PULLEY	1	SA
7.11-2-7	6602-001067	BELT-TIMING GEAR	1	SA
7.11-2-9	6044-000125	RING-E	1	SA
7.11-2-10	JB61-00059A	SPRING ETC-BELT	1	SA
7.11-2-11	6107-001135	SPRING-CS	1	SA
7.11-2-12	JC72-00755A	PMO-LEVER SENSOR	1	SA
7.11-2-13	0604-001095	PHOTO-INTERRUPTER	1	SA
7.11-2-14	JC39-00535A	CBF HARNESS-PLA_COVER	1	SA
7.11-2-15	JC39-00537A	CBF HARNESS-ADF LOWER	1	SA
7.11-2-16-1	3301-001413	CORE-FERRITE	1	SNA
7.11-2-16-2	JB68-00705A	LABEL(R)-DOUBLE CORE	1	SNA
7.11-2-17	JC39-00513A	CBF HARNESS-OPE	1	SA
7.11-2-18	JC61-00894B	HOLDER-M_CCD	1	SA
7.11-2-19	JC39-00536A	CBF HARNESS-ADF UPPER	1	SA

## 7.12 Cover Platen Ass'y

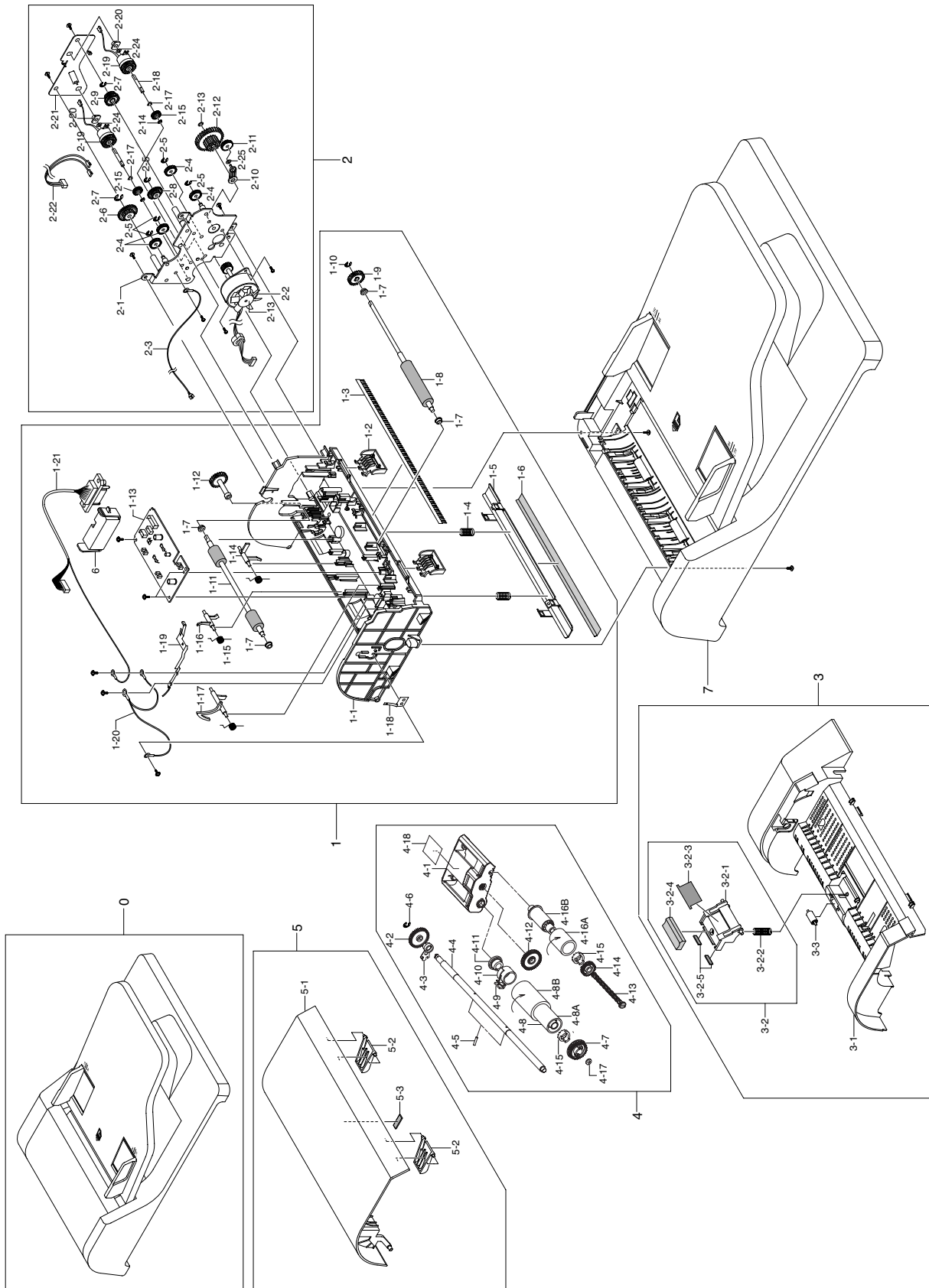


## Cover Platen Ass'y Parts List

SA : SERVICE AVAILABLE, SNA : SERVICE not AVAILABLE

Drawer#	SEC_Code	Description	QT'y	Service
7.12-0	JC97-02416A	MEA-COVER PLATEN	1	SA
7.12-1	JC97-02406A	MEA-TX STACKER	1	SA
7.12-1-1	JC63-00988A	COVER-M_STACKER TX	1	SNA
7.12-1-2	JC61-01609A	GUIDE-M_DOCU L	1	SNA
7.12-1-3	JC61-01610A	GUIDE-M_DOCU R	1	SNA
7.12-1-4	JF70-10616A	IPR-WASHER SPRING CU	2	SA
7.12-1-5	JG66-40003A	GEAR-PINION	1	SA
7.12-2	JC63-00984A	COVER-M_PLATEN	1	SNA
7.12-3	JC63-00209A	SHEET-WHITE SPONGE	1	SNA
7.12-4	JC97-01707A	MEA UNIT-HINGE	2	SA
7.12-5	JC61-00011A	SPRING ETC-FEED	6	SA
7.12-6	JF70-40521B	ICT-SHAFT PINCH	1	SA
7.12-7	JG72-40663A	PMO-ROLL PINCH	2	SA
7.12-8	JC66-00909A	SHAFT-IDLE FEED	2	SA
7.12-9	JC66-00728A	ROLLER-ADF FEED	2	SA

## 7.13 ADF Ass'y



## ADF Ass'y Parts List

SA : SERVICE AVAILABLE, SNA : SERVICE not AVAILABLE

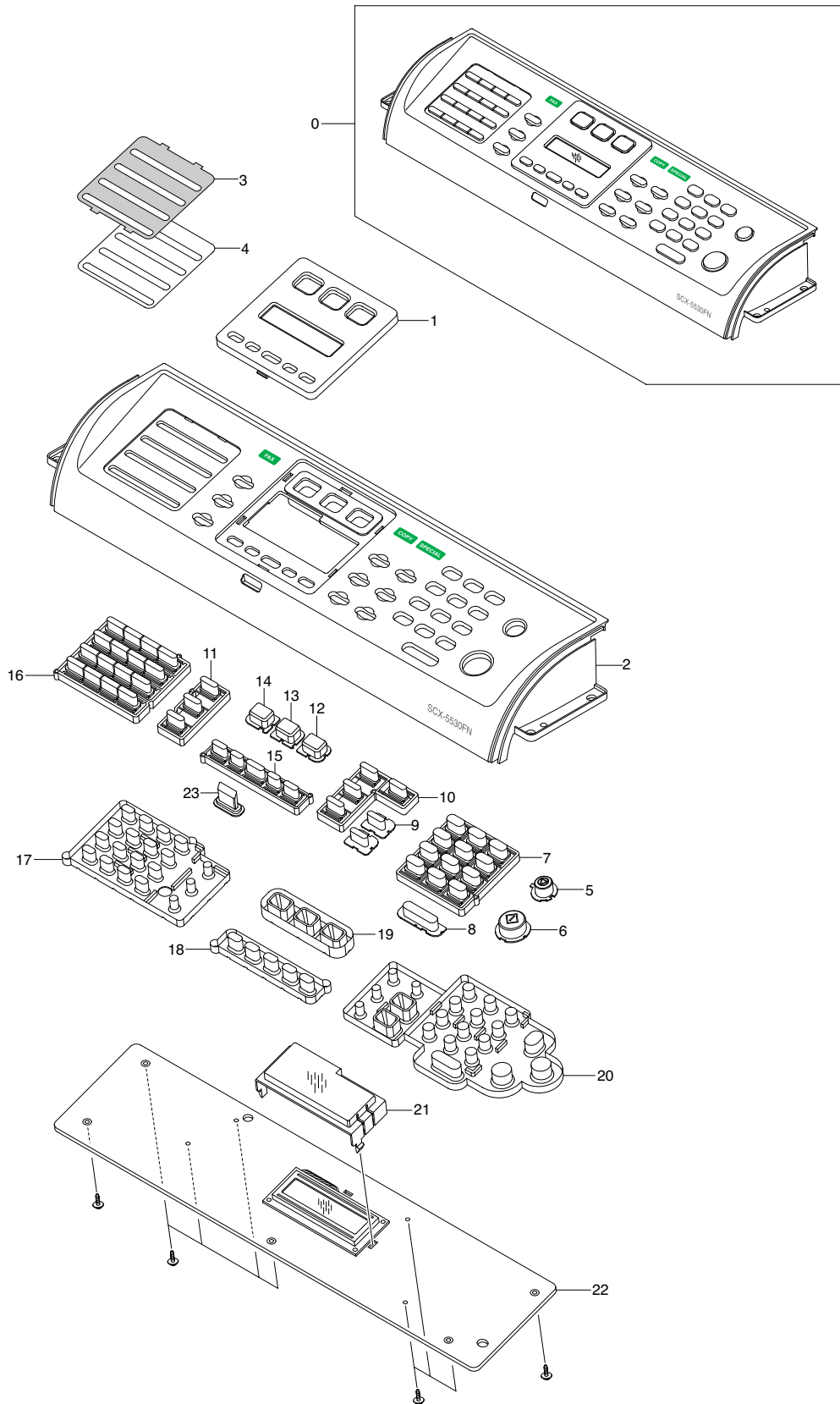
Drawer#	SEC_Code	Description	QT'y	Service
7.13-0	JC96-03773A	ELA HOU-ADF	1	SA
7.13-1	JC96-03784A	ELA HOU-ADF LOWER	1	SA
7.13-1-1	JC63-00982A	COVER-M_ADF LOWER	1	SNA
7.13-1-2	JC61-00712A	GUIDE-STACKER SUB	2	SA
7.13-1-3	JC75-00095A	MEC-BRUSH ANTISTATIC	1	SA
7.13-1-4	JC61-00548A	SPRING ETC-WHITE BAR	2	SA
7.13-1-5	JC61-01695A	BRACKET-P_WHITE_BAR	1	SA
7.13-1-6	JC72-00752A	PPR-WHITE BAR SHEET	1	SA
7.13-1-7	JB72-00819A	PMO-BUSH	2	SA
7.13-1-8	JC66-00559A	ROLLER-EXIT	1	SA
7.13-1-9	JC66-00310A	GEAR-AGITATOR-2	1	SNA
7.13-1-10	6044-000159	RING-C	1	SA
7.13-1-11	JC66-00560A	ROLLER-DRIVE	1	SA
7.13-1-12	JC66-00460A	SHAFT-M-FEED GEAR 38	1	SA
7.13-1-13	JC92-01755A	PBA SUB-ADF	1	SA
7.13-1-14	JC72-01011A	PMO-ACTUATOR SCAN SENSOR	1	SA
7.13-1-15	JB61-00076A	SPRING ETC-TORSION DOC (CC2-F)	3	SA
7.13-1-16	JC72-01010A	PMO-ACTUATOR REGI SENSOR	1	SA
7.13-1-17	JC72-01320A	PMO-ACT EMPTY ADF	1	SA
7.13-1-18	JC70-10467A	IPR-GROUND_ROLLER	1	SNA
7.13-1-19	JC63-00372A	GROUND-P-ADF R2	1	SA
7.13-1-20	JC39-00534A	CBF HARNESS-ADF R GND	1	SA
7.13-1-21	<a href="#">JC39-00538A</a>	CBF HARNESS-ADF CLUT1	1	SA
7.13-2	JC96-03783A	ELA HOU-ADF MOTOR	1	SA
7.13-2-1	JC61-01589A	BRACKET-P-GEAR H	1	SNA
7.13-2-2	JC31-00036A	MOTOR STEP-ADF	1	SNA
7.13-2-3	JC39-00617A	CBF HARNESS-ADF GND	1	SNA
7.13-2-4	JC66-00458A	GEAR-IDLE 35 ADF	2	SNA
7.13-2-5	6044-000125	RING-E	5	SNA
7.13-2-6	JC66-01174A	GEAR-40/21	1	SNA
7.13-2-7	6044-000231	RING-E	1	SNA
7.13-2-8	JC66-01175A	GEAR-24	1	SNA
7.13-2-9	<a href="#">JC66-00456A</a>	GEAR-40/21 ADF	1	SNA
7.13-2-10	JC66-01177A	LINK-M_SWING	1	SNA
7.13-2-11	JC66-00457A	GEAR-SWING 31/20 ADF	1	SNA
7.13-2-12	JC66-00455A	GEAR-58/25 ADF	1	SNA
7.13-2-13	6044-000231	RING-E	1	SNA
7.13-2-14	JB70-00070A	IPR-WASHER WAVE	1	SNA
7.13-2-15	JC66-00457A	GEAR-SWING 31/20 ADF	1	SNA
7.13-2-17	6031-000023	WASHER-PLAIN	1	SNA
7.13-2-18	JC66-00662A	SHAFT-REGI	2	SNA
7.13-2-19	JC66-00556A	IMPELLER-ADF	1	SNA
7.13-2-20	JC61-00423A	BUSH-6_D	2	SNA
7.13-3	JC97-02410A	MEA-ADF UPPER	1	SNA

## ADF Ass'y Parts List

SA : SERVICE AVAILABLE, SNA : SERVICE not AVAILABLE

Drawer#	SEC_Code	Description	QT'y	Service
7.13-3-1	JC63-00985A	COVER-M_ADF UPPER	1	SA
7.13-3-2	JC97-01940B	MEA UNIT-HOLDER ADF	1	SA
7.13-3-2-1	JC61-00893B	HOLDER-M_PAD ADF	1	SA
7.13-3-2-3	JC63-00373A	SHEET-ADF HOLDER	1	SNA
7.13-3-2-4	JB73-00052A	RMO-ADF RUBBER	1	SA
7.13-3-2-5	JC66-00738A	DAMPER-PAD ADF_R2	2	SNA
7.13-3-3	JC66-00461A	ROLLER-M-ADF IDLE	1	SA
7.13-4	JC97-01962C	MEA UNIT-PICKUP	1	SA
7.13-4-1	JC72-00734A	PMO-COVER ADF	1	SA
7.13-4-2	JB66-00103A	GEAR-ADF 38	1	SA
7.13-4-3	JC61-00963B	STOPPER-M_PICKUP ADF	1	SA
7.13-4-4	JC66-00561A	SHAFT-ADF PICKUP	1	SA
7.13-4-5	JB70-00168A	ICT-PIN ADF	2	SA
7.13-4-6	6031-000023	WASHER-PLAIN	1	SA
7.13-4-7	JC72-00734A	PMO-COVER ADF	1	SA
7.13-4-8	JB75-00300A	MEC-PICK UP ROLLER ASSY	1	SA
7.13-4-8A	JB72-00823A	PMO-SLEEVE PICK UP	1	SA
7.13-4-8B	JB73-00055A	RMO-PICKUP ROLLER	1	SNA
7.13-4-9	JB72-00821A	PMO-ADF COLAR	1	SA
7.13-4-10	JB61-70904A	SPRING ETC-CLUTCH	1	SA
7.13-4-11	JB72-00817A	PMO-ADF CLUTCH	1	SA
7.13-4-12	JB66-00104A	GEAR-ADF IDLE 34	1	SA
7.13-4-13	JC72-00744A	PMO-SHAFT PICK UP	1	SA
7.13-4-14	JB66-00105A	GEAR-PICK UP 26	1	SA
7.13-4-15	JB72-00845A	PMO-PICK UP CLUTCH SUB	2	SA
7.13-4-16	<a href="#">JB75-00299A</a>	MEC-ADF ROLLER ASSY	1	SA
7.13-4-16A	JB73-00054A	RMO-ADF ROLLER	1	SNA
7.13-4-16B	JB72-00822A	PMO-SLEEVE ADF	1	SA
7.13-4-17	6044-000159	RING-C	1	SA
7.13-5	JC97-02411A	MEA-COVER OPEN	1	SA
7.13-5-1	JC63-00983A	COVER-M_ADF OPEN	1	SNA
7.13-5-2	JB72-00843A	PMO-GUIDE PAPER	2	SA
7.13-5-3	JC66-00738A	DAMPER-PAD ADF_R2	1	SNA

## 7.14 OPE Unit

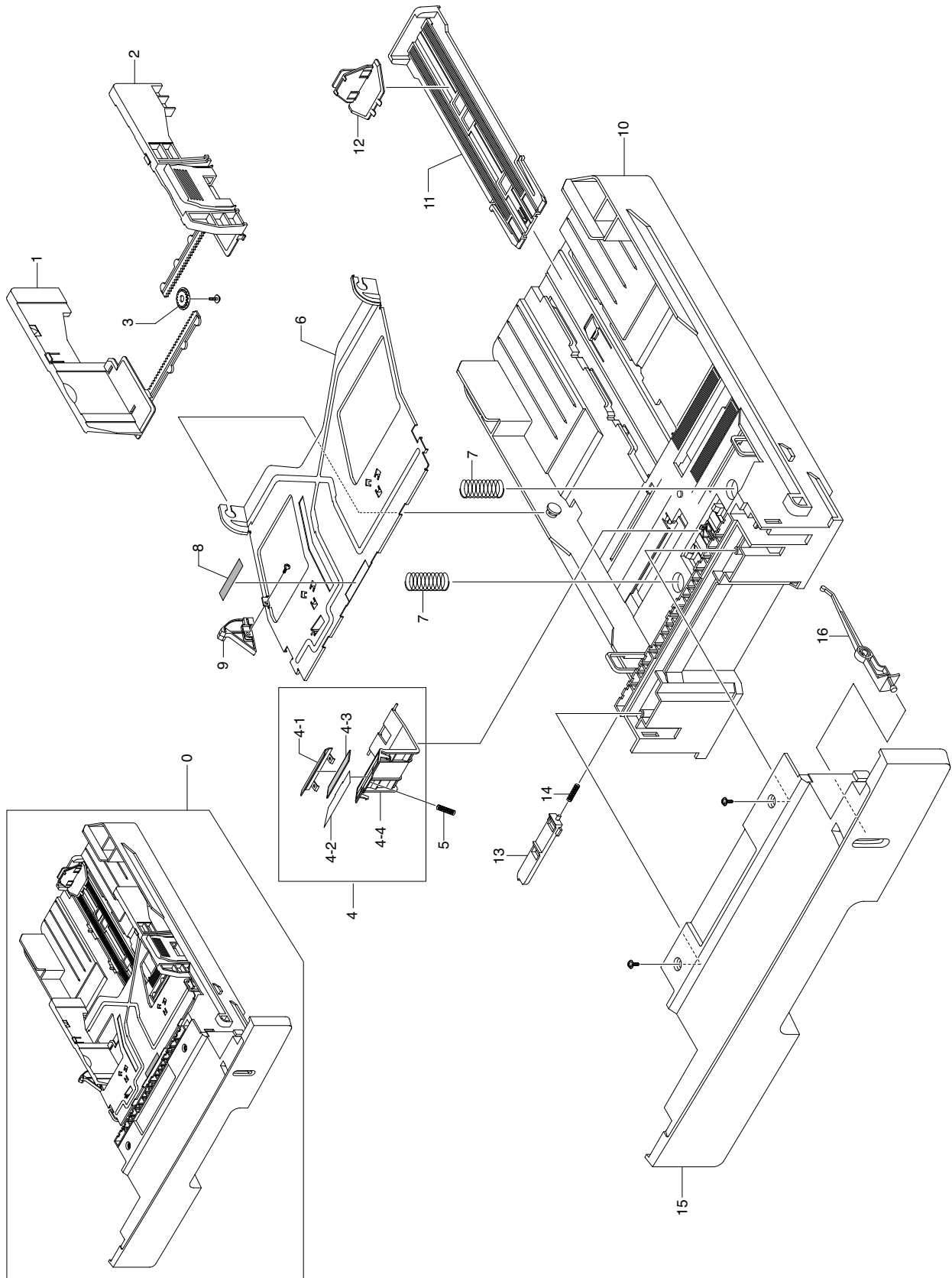


## OPE Ass'y Parts List

SA : SERVICE AVAILABLE, SNA : SERVICE not AVAILABLE

Drawer#	SEC_Code	Description	QT'y	Service
7.14-0	JC96-03787A	ELA HOU-OPE 4IN1	1	SA
7.14-1	JC63-00991A	COVER-M_NEVI	1	SNA
7.14-2	JC63-00986A	COVER-M_OPE 4IN1 MONO	1	SNA
7.14-3	JC63-00999A	SHEET-ONETOUCH	1	SNA
7.14-4	JC68-01639A	LABEL-ONETOUCH	1	SNA
7.14-5	JC64-00242A	KEY-M_STOP CLEAR	1	SNA
7.14-6	JC64-00243A	KEY-M_START BLACK	1	SNA
7.14-7	JC64-00239A	KEY-M_TEL	1	SNA
7.14-8	JC64-00249A	KEY-M_ON HOOK	1	SNA
7.14-9	JC64-00244A	KEY-M_BLACK	2	SNA
7.14-10	JC64-00240A	KEY-M_COPY	1	SNA
7.14-11	JC64-00241A	KEY-M_FAX	1	SNA
7.14-12	JC64-00247A	KEY-M_MODE SCAN	1	SNA
7.14-13	JC64-00245A	KEY-M_MODE COPY	1	SNA
7.14-14	JC64-00246A	KEY-M_MODE FAX	1	SNA
7.14-15	JC64-00248A	KEY-M_MENU	1	SNA
7.14-16	JC64-00250A	KEY-M_ONETOUCH	1	SNA
7.14-17	JC73-00231A	RUBBER-ONETOUCH	1	SNA
7.14-18	JC73-00230A	RUBBER-MENU	1	SNA
7.14-19	JC73-00233A	RUBBER-MODE	1	SNA
7.14-20	JC73-00232A	RUBBER-TEL_COPY	1	SNA
7.14-21	JC63-00993A	COVER-M_LCD	1	SA
7.14-22	JC92-01747A	PBA SUB-OPE	1	SA
7.14-23	JC67-00148A	LENS LED-M_STATUS	1	SNA

## 7.15 Cassette Ass'y

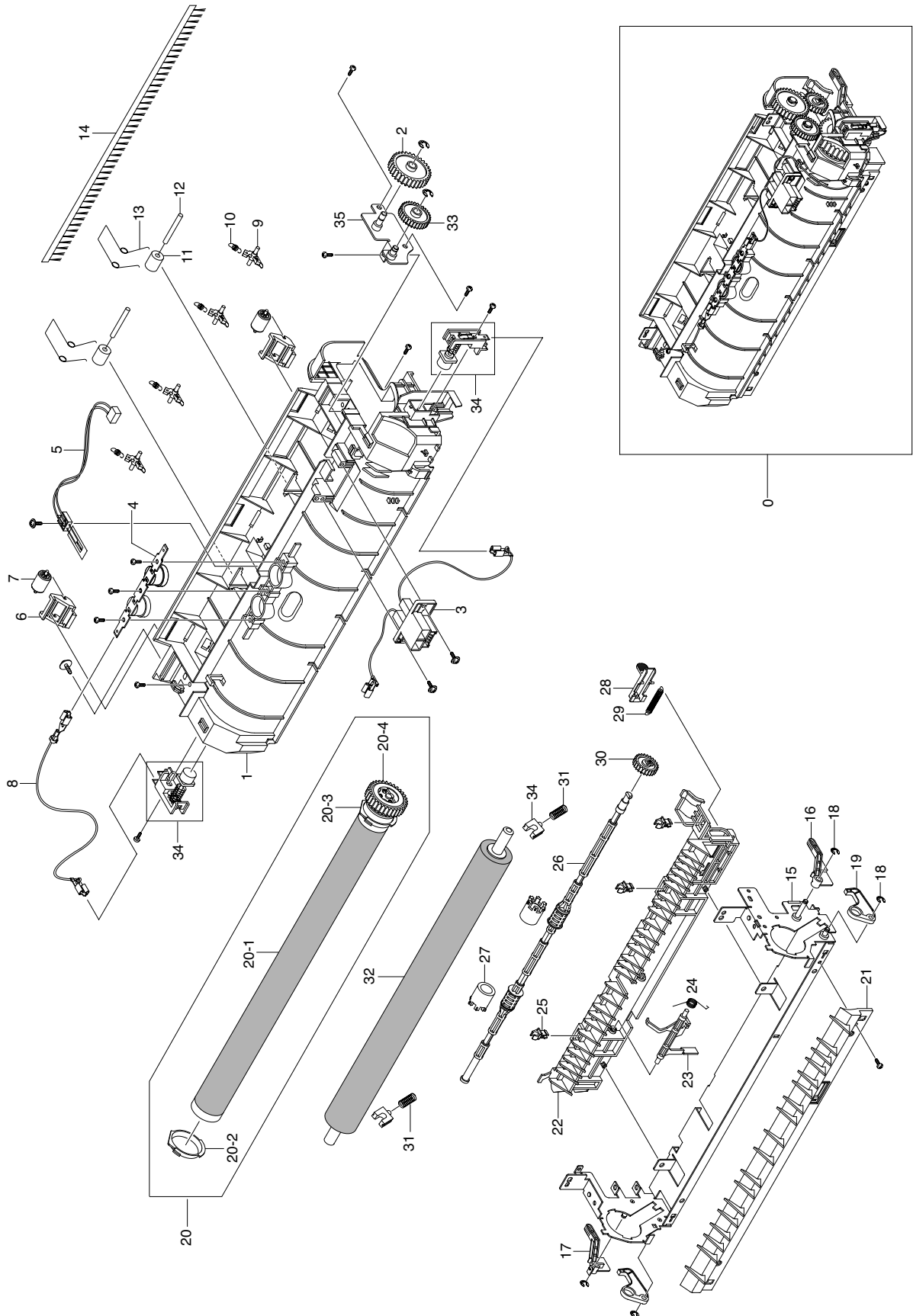


## Cassette Ass'y Parts List

SA : SERVICE AVAILABLE, SNA : SERVICE not AVAILABLE

Drawer#	SEC_Code	Description	QT'y	Service
7.15-0	JC97-02413A	MEA UNIT-CASSETTE	1	SA
7.15-1	JC70-00300A	ADJUST-M-CASSETTE_L	1	SA
7.15-2	JC70-00301A	ADJUST-M-CASSETTE_R	1	SA
7.15-3	JG66-40003A	GEAR-PINION	1	SA
7.15-4	<a href="#">JC97-01931A</a>	MEA UNIT-HOLDER PAD	1	SA
7.15-4-1	JC61-00580A	HOLDER-M-PAD	1	SA
7.15-4-2	JC63-00407A	SHEET-HOLDER PAD R2	1	SNA
7.15-4-3	<a href="#">JC70-00314A</a>	IPR-PLATE PAD	1	SA
7.15-4-4	<a href="#">JC73-00140A</a>	RPR-FRICTION PAD	1	SA
7.15-5	JC61-70911A	SPRING ETC-EXIT ROLL FD	1	SA
7.15-6	JC61-00603A	PLATE-P-KNOCK_UP	1	SNA
7.15-7	6107-001166	SPRING-CS	2	SA
7.15-8	<a href="#">JC73-00141A</a>	RPR-PAD CASSETTE	1	SA
7.15-9	JC66-00719A	CAM-M-KNOCK UP	1	SNA
7.15-10	JC61-00876A	FRAME-M_CASSETTE	1	SNA
7.15-11	JC61-00918B	GUIDE-M-EXTENSION L2	1	SA
7.15-12	JC72-00971A	PMO-EXTENSION SMALL	1	SA
7.15-13	JC72-00972A	PMO-PLATE_LOCKER	1	SA
7.15-14	JG61-70531A	SPRING ETC-LOCKER,PLATE	1	SA
7.15-15	JC63-00939A	COVER-M_SUB CST	1	SNA
7.15-16	JC64-00253A	INDICATOR-M_CASSETTE	1	SNA

## 7.16 Fuser Ass'y

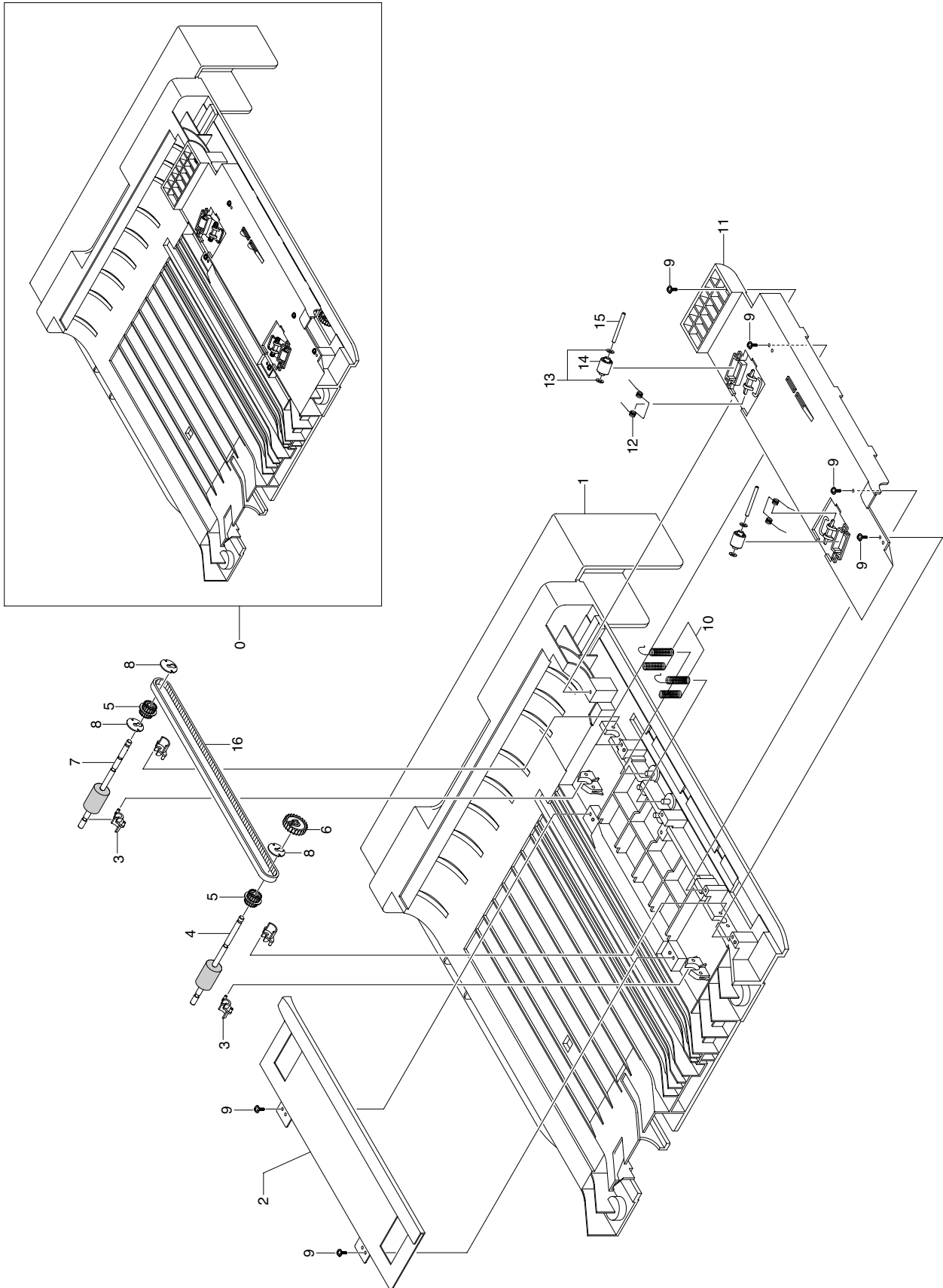


## Fuser Ass'y Parts List

SA : SERVICE AVAILABLE, SNA : SERVICE not AVAILABLE

Drawer#	SEC_Code	Description	QT'y	Service
7.16-0	JC96-03799A	ELA UNIT-FUSER_110V	1	SA
7.16-0	JC96-03800A	ELA UNIT-FUSER_220V	1	SA
7.16-1	JC61-01632A	FRAME-P-FUSER	1	SNA
7.16-2	JC66-00425A	GEAR-IDLE 33	1	SA
7.16-3	JC39-00520A	CBF HARNESS-FUSER CON	1	SA
7.16-4	4712-001031	THERMOSTAT	1	SA
7.16-5	1404-001364	THERMISTOR-NTC ASSY	1	SA
7.16-6	JC61-00785A	HOLDER-M-IDLE ROLLER	1	SA
7.16-7	JC72-40981A	PMO-ROLLER UPPER DP	1	SA
7.16-8	JC39-00521A	CBF HARNESS-FUSER REC	1	SA
7.16-9	JC72-41128B	PMO-GUIDE CLAW GREEN	4	SA
7.16-10	6107-001291	SPRING-ES	1	SNA
7.16-11	JC72-20902A	PEX-ROLLER F/UP(2)	2	SA
7.16-12	JC70-20901A	IEX-SHAFT IDLE,F/UP	2	SA
7.16-13	6107-001159	SPRING-TS	2	SA
7.16-14	JC75-00095A	MEC-BRUSH ANTISTATIC	1	SA
7.16-15	JC61-01627A	BRACKET-P-FUSER	1	SNA
7.16-16	JC61-01306A	HOLDER-M_JAM R	1	SNA
7.16-17	JC61-01305A	HOLDER-M_JAM L	1	SNA
7.16-18	6044-000125	RING-E	2	SA
7.16-19	JC66-00957A	LEVER-M_LINK JAM	2	SNA
7.16-20	JC96-03803A	ELA UNIT-HEAT 110V	1	SA
7.16-20	JC96-03804A	ELA UNIT-HEAT 220V	1	SA
7.16-20-1	JC66-01211A	ROLLER-HEAT	1	SNA
7.16-20-2	JC66-10901A	BEARING-PRESSURE/R	1	SA
7.16-20-3	JC61-01629A	BUSH-M_HR R	1	SNA
7.16-20-4	JC66-01193A	GEAR-M_FUSER_ECOIL	1	SNA
7.16-21	JC63-01004A	COVER-M_FUSER_ECOIL	1	SNA
7.16-22	JC61-01633A	GUIDE-M_REAR	1	SNA
7.16-23	JC72-00988A	PMO-ACTUATOR EXIT	1	SNA
7.16-24	JC61-70903A	SPRING ETC-ACTUATOR	1	SA
7.16-25	JC72-00382A	PMO-BUSHING TX	3	SNA
7.16-26	JC66-00402A	SHAFT-M-EXIT_F/UP	1	SA
7.16-27	JC73-40909B	RMO-RUBBER EXIT_F/UP	1	SNA
7.16-28	JC61-01625A	HOLDER-M_REAR_LEVER	1	SNA
7.16-29	6107-001237	SPRING-ES	1	SNA
7.16-30	JC66-40209A	GEAR-EXIT	1	SA
7.16-31	JC61-00047A	SPRING ETC-TR L HAWK	1	SA
7.16-32	JC66-01195A	ROLLER-PRESSURE	1	SA
7.16-33	JC66-00426B	GEAR-IDLE 23	1	SNA
7.16-34	JC67-00154A	CAP-M_END_ECOIL	2	SNA
7.16-35	Not assign	BRACKET-FUSER GEAR	1	SNA

## 7.17 Duplex Unit(Optional)



## Duplex Unit (Optional) Parts List

SA : SERVICE AVAILABLE, SNA : SERVICE not AVAILABLE

Drawer#	SEC_Code	Description	QT'y	Service
7.17-0	JC97-02393A	MEA UNIT-DUPLEX	1	SA
7.17-1	JC61-01594A	FRAME-M_DUP	1	SNA
7.17-2	Not assign	GUIDE-M_DUMMY	1	SNA
7.17-3	JC61-00665A	BUSH-M-FEED, DUP	4	SA
7.17-4	JC96-03662B	ELA UNIT-ROLLER_DUP2	1	SNA
7.17-5	JC66-00699A	PULLEY-18-DUP	2	SNA
7.17-6	JC66-00038A	GEAR-EXIT F/DOWN	1	SA
7.17-7	JC96-03662A	ELA UNIT-ROLLER_DUP	1	SNA
7.17-8	JC66-00900A	PULLEY-M-18-DUMMY_DUP	3	SA
7.17-9	6003-000196	SCREW-TAPTITE	6	SA
7.17-10	JC65-00017A	TERMINAL-P-GND DUP	1	SNA
7.17-11	JC61-01595A	GUIDE-M_UPPER DUP	1	SNA
7.17-12	6107-001156	SPRING-TS	2	SA
7.17-13	JK72-00058A	PCT-SILP WASHER	4	SNA
7.17-14	JC66-00896A	ROLLER-M-IDLE_DUP	1	SA
7.17-15	JC66-00444A	SHAFT-IDLE ROLL, DUP	1	SA
7.17-16	JC66-20901A	BELT-TIMMING	1	SA