

## Appendix information

The following list shows different materials by model.

The material codes mentioned in the manual are subject to change without prior notice.

For the latest exact information, see ITSELF SYSTEM. (<http://itself.sec.samsung.co.kr>)

### •SCX-5315F/XAA

DESCRIPTION	SEC.CODE
ELA HOU-SCANNER	JC96-02717A
ELA HOU-PLATEN(SEC)	JC96-02748A
ELA HOU-OPE(SEC)	JC96-02749A
PMO-COVER OPE(C)	JC72-00796A
WINDOW-LCD(4IN1)	JC64-00071A
PMO-COVER DUMMY OPE(M)	JC72-00858A
PCT-ONETOUCH PAPER	JC72-00872A
PBA SUB-LIU	JC92-01355A

### •SCX-5315F/XEG

DESCRIPTION	SEC.CODE
ELA HOU-SCANNER	JC96-02717B
ELA HOU-PLATEN(GER)	JC96-02748D
ELA HOU-OPE(GER)	JC96-02749D
PMO-COVER OPE	JC72-00796C
WINDOW-LCD(GER 4IN1)	JC64-00071C
PMO-COVER DUMMY OPE(M)	JC72-00858C
PCT-ONETOUCH PAPER	JC72-00872C
PBA SUB-LIU	JC92-01355E

### •SCX-5315F/XEU

DESCRIPTION	SEC.CODE
ELA HOU-SCANNER	JC96-02717A
ELA HOU-PLATEN(SEC)	JC96-02748A
ELA HOU-OPE(SEC)	JC96-02749A
PMO-COVER OPE(C)	JC72-00796A
WINDOW-LCD(4IN1)	JC64-00071A
PMO-COVER DUMMY OPE(M)	JC72-00858A
PCT-ONETOUCH PAPER	JC72-00872A
PBA SUB-LIU	JC92-01355G

### •SCX-5315F/XIL

DESCRIPTION	SEC.CODE
ELA HOU-SCANNER	JC96-02717C
ELA HOU-PLATEN	JC96-02748B
ELA HOU-OPE	JC96-02749B
PMO-COVER OPE	JC72-00796G
WINDOW-LCD(4IN1)	JC64-00071E
PMO-COVER DUMMY OPE(M)	JC72-00858E
PCT-ONETOUCH PAPER	JC72-00872E
PBA SUB-LIU	JC92-01355A

### •SCX-5115/XAA

DESCRIPTION	SEC.CODE
ELA HOU-SCANNER	JC96-02718A
ELA HOU-PLATEN ASS'Y	JC96-02752A
ELA HOU-OPE COVER(SEC)	JC96-02753A
PMO-OPE COVER	JC72-00944A
PCT-LCD WINDOW(3 IN 1)	JC64-00071B

### •SCX-5115/XEU

DESCRIPTION	SEC.CODE
ELA HOU-SCANNER	JC96-02718A
ELA HOU-PLATEN ASS'Y	JC96-02752A
ELA HOU-OPE COVER(SEC)	JC96-02753A
PMO-OPE COVER	JC72-00944A
PCT-LCD WINDOW(3 IN 1)	JC64-00071B

### •SCX-5115/XEG

DESCRIPTION	SEC.CODE
ELA HOU-SCANNER	JC96-02718C
ELA HOU-PLATEN ASS'Y	JC96-02752B
ELA HOU-OPE COVER(SEC)	JC96-02753B
PMO-OPE COVER	JC72-00944G
PCT-LCD WINDOW(3 IN 1)	JC64-00071G

# 5. Exploded View & Parts List

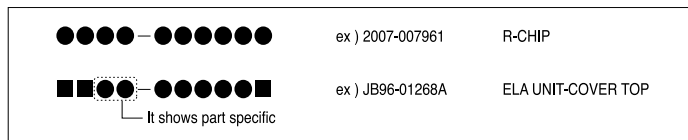
5-1. Main Exploded View & Parts List.....	page(5-2)
5-2. Platen Ass'y Exploded View & Parts List.....	page(5-5)
5-3. ADF ASS'Y Exploded View & Parts List.....	page(5-9)
5-4. Side Cover Ass'y Exploded View & Parts List.....	page(5-12)
5-5. Cassette Ass'y Exploded View & Parts List.....	page(5-14)
5-6. Exit Ass'y Exploded View & Parts List.....	page(5-16)
5-7. Feeder Ass'y Exploded View & Parts List.....	page(5-18)
5-8. MP Ass'y Exploded View & Parts List.....	page(5-20)
5-9. Base Frame Exploded View & Parts List.....	page(5-22)
5-10.Pick-up Ass'y Exploded View & Parts List.....	page(5-24)
5-11. Drive Ass'y Exploded View & Parts List.....	page(5-26)
5-12. Main Frame Ass'y Exploded View & Parts List.....	page(5-28)
5-13. FuserAss'y Exploded View & Parts List.....	page(5-30)
5-14. Screw.....	page(5-32)

- Deal drawings and service parts are declared for the items with higher rate of inferiority and replaceable in the level of service description only.
- If inferiority occurs, you can replace the parts by the unit declared in deal drawings and service items.

### Way to observe Part Code & Description

Part code and Description is quoted and controlled by determined standard. Refer to this determined standard, it will help with ordering Part.

- There are two kinds of Part code inscription type.



( ● : figure, ■ : character (alphabet) )

**Type 1** : Controlled by Company : It can be commonly used for all kinds of product SEC produce. Mostly, electronics Parts.

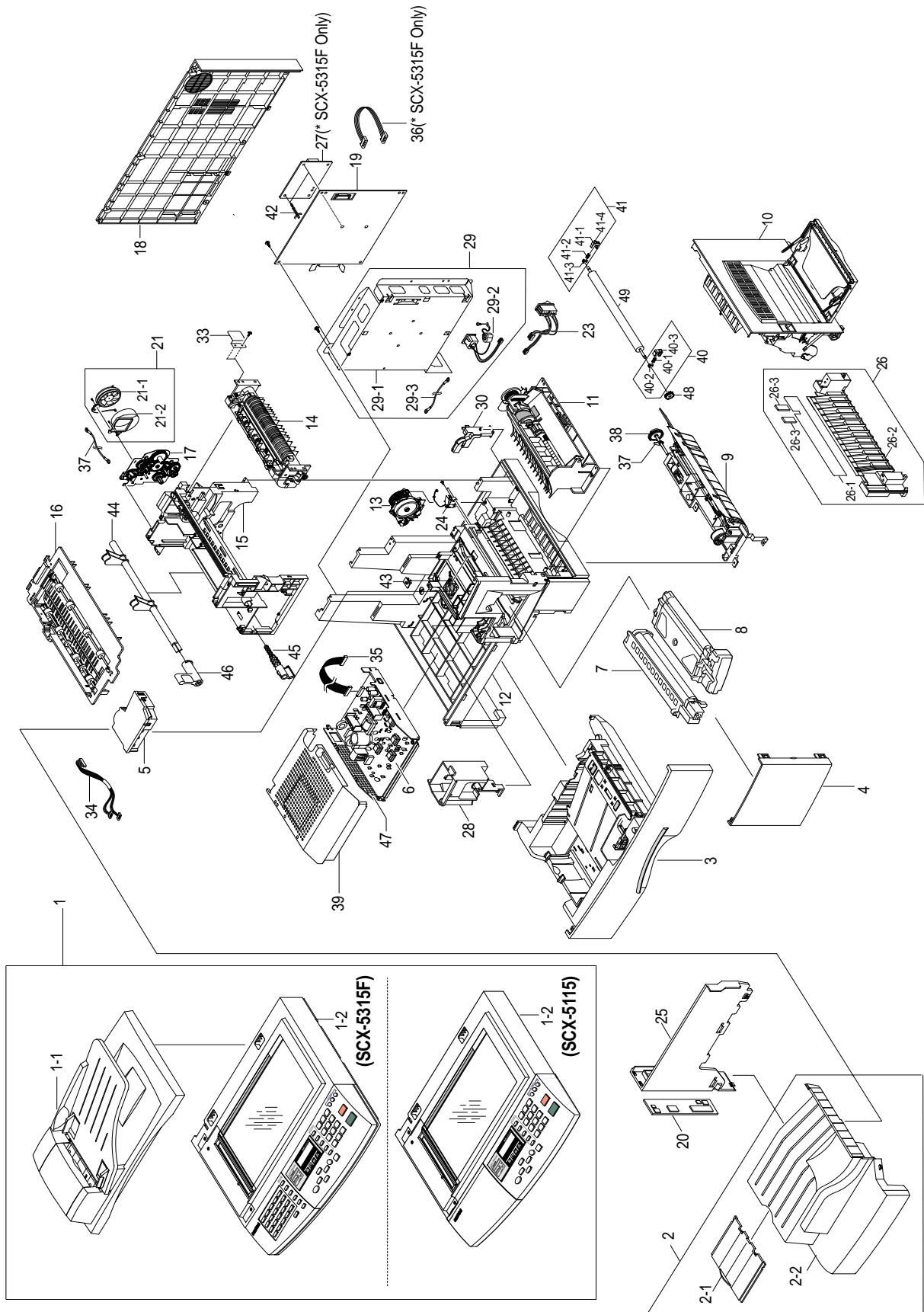
**Type 2** : Controlled by Division : It is used or one produce. Mostly, Mostly, mechanical Parts.

- **A/S privately used part** : It is only used for A/S .
- **Ass'y part** : Assembled by more than 2 Parts. If necessary part is not A/S Part, Ass'y part including necessary par can be used. It is shown in the diagram and drawing of SVC manual.

• Ass'y part and A/S privately used Part is distinguished by part Code and Description. The are inscription type 2. It is recognized by Part character and front side of description.

DIVISION	PART CODE	DESCRIPTION
A/S Private	**81-***** (JB81-00039A)	AS-***** (AS-USE)
ASS'Y Part	**75-***** (JB75-00068A)	MEC-***** (MEC-CHUTE)
ASS'Y Part	**92-***** (JB92-01131A)	PBA ***** (PBA MAIN-CONTROLLER)
ASS'Y Part	**97-***** (JB97-01089A)	MEA ***** (MEA UNIT-PULLEY IDLE)

## 5-1. Main Exploded View & Parts List



## Main Parts List

NO	DESCRIPTION	SEC CODE	Q'TY	SA	REMARK
1	ELA HOU-SCANNER	Refer to Info.	1	O	SCX-5115
	ELA HOU-SCANNER	Refer to Info.	1	O	SCX-5315F
1-1	ELA HOU-ADF	JC96-02750A	1	O	
1-2	ELA HOU-PLATEN	Refer to Info.	1	O	SCX-5115
	ELA HOU-PLATEN	Refer to Info.	1	O	SCX-5315F
2	MEA UNIT-COVER PA EXIT ASS'Y	JC97-01556B	1	O	
2-1	PMO-TRAY EXTENTION MP NE	JC72-00354B	1	O	
2-2	PMO-COVER PAPER EXIT	JC72-00786B	1	O	
3	MEA UNIT-CASSETTE(KOR)	JC97-01736A	1	O	
4	MEA UNIT-COVER FRONT ASS'Y	JC97-01572B	1	O	
5	UNIT-LSU,600DPI,15	JC59-00014B	1	O	
6	ELA ETC-SHIELD SMPS LOWER	JC96-02422A	1	O	CHINA ONLY
	ELA ETC-SHIELD SMPS LOWER	JC96-02310B	1	O	110V
	ELA ETC-SHIELD SMPS LOWER	JC96-02317A	1	O	220V
7	ELA-OPC UNIT 15K D	*	1	X	
8	ELA-TONER UNIT 6K D	*	1	X	
9	ELA HOU-PICK UP	JC96-02715B	1	O	
10	ELA HOU-SIDE COVER	JC96-02183B	1	O	
11	ELA HOU-MP ASS'Y	JC96-02182A	1	O	
12	ELA HOU-BASE FRAME	JC96-02818A	1	O	
13	MEC-FEED ASS'Y	JC75-00143B	1	O	
14	ELA HOU-FUSER	JC96-02814A	1	O	110V
	ELA HOU-FUSER	JC96-02815A	1	O	220V
15	ELA HOU-FRAME MAIN ASS'Y	JC96-02184A	1	O	
16	MEA UNIT-EXIT ASS'Y	JC97-01643A	1	O	
17	ELA HOU-DRIVE(15PPM)	JC96-02741A	1	O	
18	PMO-COVER REAR	JC72-00788A	1	O	
19	PBA MAIN-MAIN	JC92-01480A	1	O	SCX-5115
19	PBA MAIN-MAIN	JC92-01479A	1	O	SCX-5315F
20	COVER-M-PANNEL MFP	JC63-00215B	1	O	SCX-5115
20	COVER-M-PANNEL MFP	JC63-00215A	1	O	SCX-5315F
21	ELA HOU-DUCT FAN	JC96-02311A	1	O	
21-1	FAN-DC	JC31-00012A	1	O	
21-2	PMO-DUCT FAN	JC72-00807A	1	O	
23	CBF HARNESS-SWITCH GRAY	JC39-00055B	1	O	
24	SOLENOID-PICK UP	JC33-00007A	1	O	

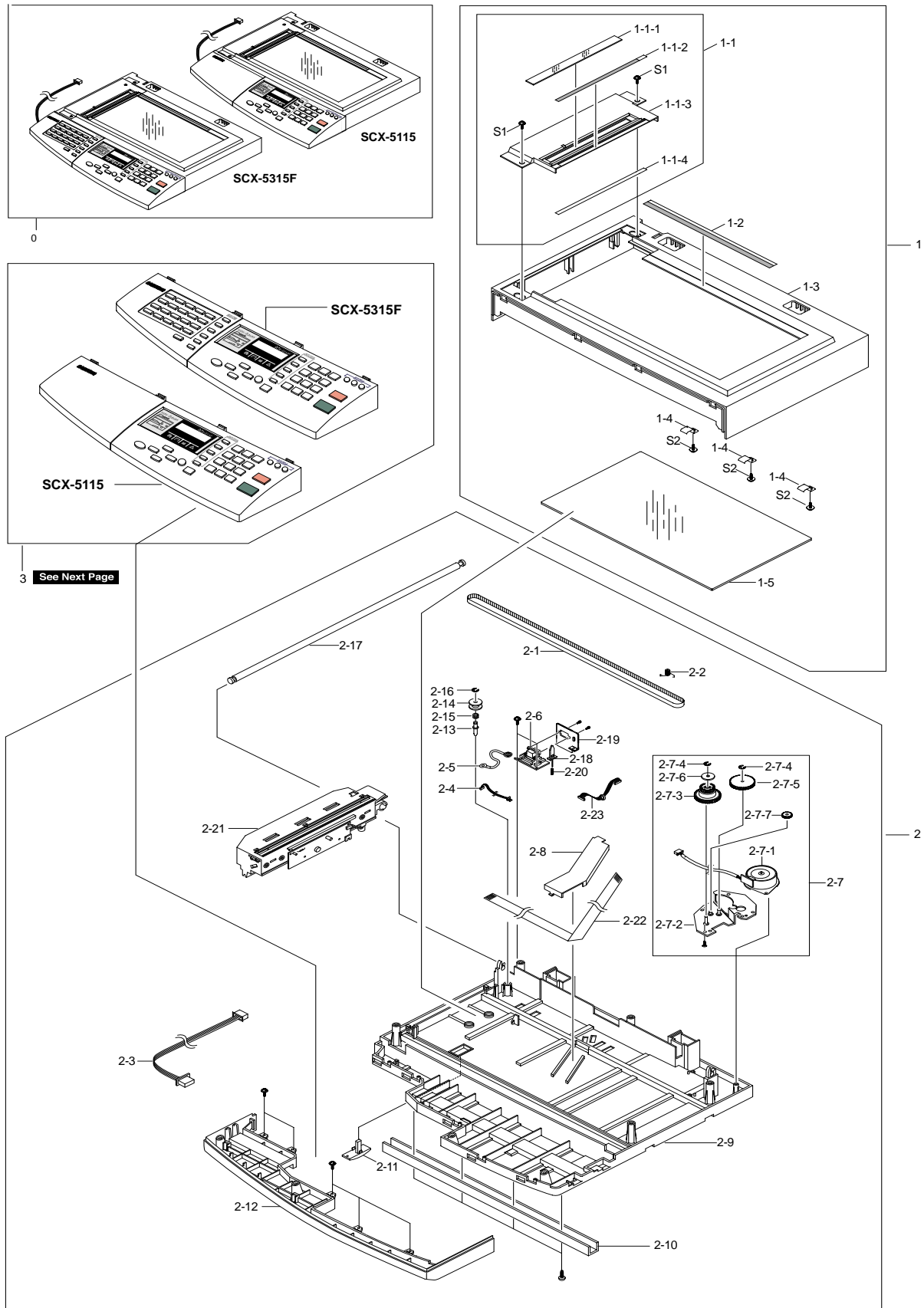
O : Service available X : Service not available

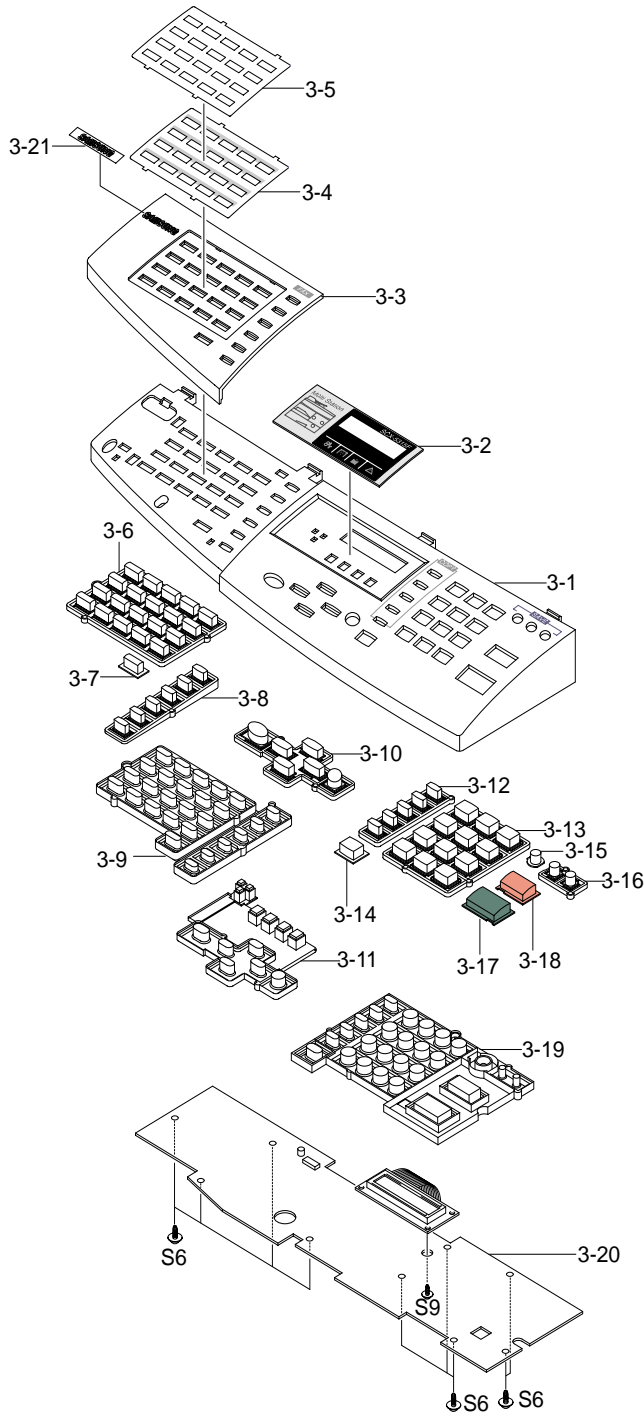
**Main Parts List (Cont.)**

NO	DESCRIPTION	SEC CODE	Q'TY	SA	REMARK
25	PMO-COVER EXIT REAR	JC72-00790A	1	O	
26	MEA UNIT-GUIDE CST PA ASS'Y	JC97-01575A	1	O	
26-1	PPR-SHEET/GUIDE PAPER	*	1	X	
26-2	PMO-GUIDE CASSETTE RAIL	*	1	X	
26-3	SHEET-FEED	*	2	X	
27	PBA SUB-LIU	<b>Refer to Info.</b>	1	O	
28	PMO-DUMMY BASE FRAME	JC72-00789A	1	O	
29	ELA HOU-SHIELD MAIN LOWER	JC96-02835A	1	O	
29-1	SHIELD-P-MAIN LOWER	*	1	X	
29-2	CBF HARNESS-INLET(KOREA)	*	1	X	
29-3	CBF HARNESS-LIU GND	JB39-00103A	1	O	
30	PMO-COVER FEED AY	JC72-00801A	1	O	
31	PMO-COVER BRKT MOTER	JC72-00834A	1	O	
32	PMO-GUIDE PAPER OUT	JC72-00835A	1	O	
33	SHEET-CONNECTOR	JC63-00072A	1	O	
34	CBF HARNESS-LSU	JC39-00163A	1	O	
35	CBF HARNESS-POWER+HVPS	JC39-00162A	1	O	
36	CBF HARNESS-LIU	JB39-00104A	1	O	Only SCX-5315F
37	PMO-BEARING SHAFT	JC72-41191A	1	O	
38	GEAR-PICK_UP	JC66-00335A	1	O	
39	IPR-SHIELD SMPS UPPER	JC70-00248A	1	O	
40	MEA UNIT-HOLD GEAR ASS'Y	JC97-01573A	1	O	
40-1	SPRING ETC-TR_R	*	1	X	
40-2	PMO-BUSH	JC72-40228A	1	O	
40-3	PMO-HOLDER GEAR TR	*	1	X	
41	MEA UNIT-HOLD GND ASS'Y	JC97-01574A	1	O	
41-1	SPRING ETC-PLATE TR	*	1	X	
41-2	SPRING ETC-TR_L	*	1	X	
41-3	PMO-BUSH	JC72-40228A	1	O	
41-4	PMO-HOLDER GND TR	*	1	X	
42	SUPPORTER	6103-001048	2	O	
43	PMO-WINDOW SENSOR DEVE	JC72-00792A	1	O	
44	PMO-CAM JAM REMOVE	JC72-00799A	1	O	
45	PMO-LOCKER DEVE	JC72-00805A	1	O	
46	PMO-LEVER JAM REMOVE	JC72-00804A	1	O	
47	IPR-SHIELD SMPS LOWER	JC70-00247A	1	O	
48	GEAR-TRANSFER	JC66-40947A	1	O	
49	MEC-TRANSFER ROLLER	<a href="#">JC75-00148A</a>	1	O	

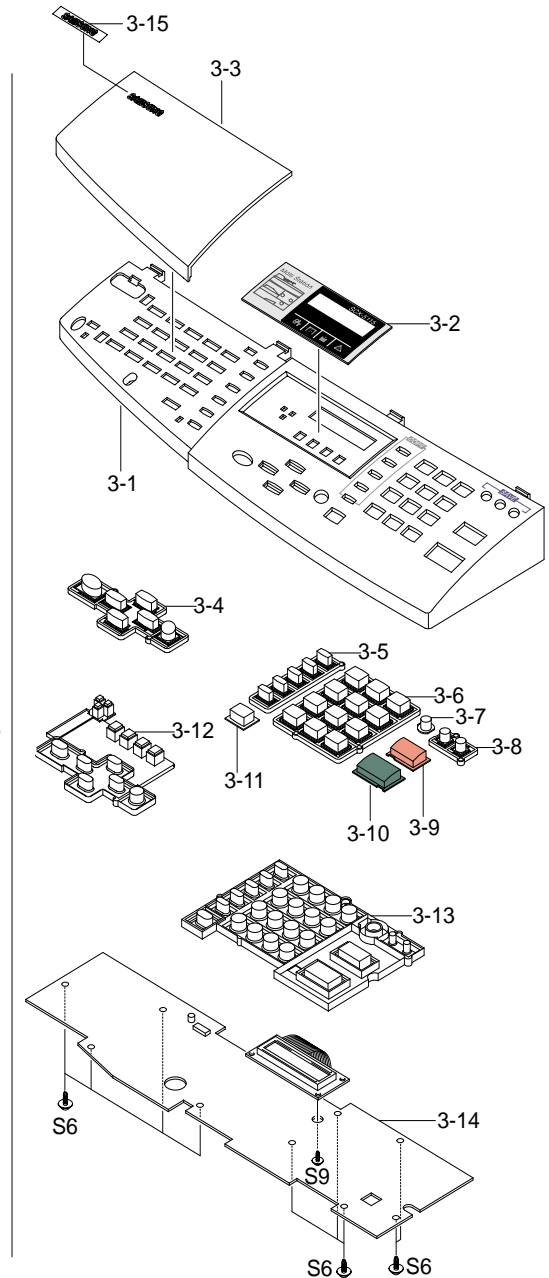
O : Service available X : Service not available

## 5-2. Platen Ass'y Exploded View & Parts List





**SCX-5315F**



**SCX-5115**

## Platen Ass'y Parts List

NO	DESCRIPTION	SEC CODE	Q'TY	SA	REMARK
0	ELA HOU-PLATEN	Refer to Info.	1	O	SCX-5315F
	ELA HOU-PLATEN	Refer to Info.	1	O	SCX-5115
1	ELA HOU-SCAN UPPER	JC81-01688A	1	O	
1-1	AS-DUMMY UPPER AS (FRV)	JC81-00426A	1	O	
1-1-1	MCT-GLASS ADF	*	1	X	
1-1-2	LABEL(R)-REGISTRATION EDGE(L)	*	1	X	
1-1-3	PMO-DUMMY UPPER	*	1	X	
1-1-4	SHEET-DUMMY UPPER	*	1	X	
1-2	PPR-REGISTRATION EDGE(F)	JC72-00809A	1	O	
1-3	PMO-COVER SCAN UPPER	JC72-00758A	1	O	
1-4	IPR-HOLDER GLASS	*	3	X	
1-5	MCT-GLASS SCANNER(LEGAL)	JC74-00018A	1	O	
2	ELA HOU-SCAN LOWER	JC96-02706B	1	O	
2-1	BELT-TIMING GEAR	6602-001090	1	O	
2-2	SPRING ETC-BELT	JB61-00059A	1	O	
2-3	CBF HARNESS-OPE	JC39-00167A	1	O	
2-4	CBF HARNESS-MAIN-ENGINE	JC39-00030A	1	O	
2-5	CBF HARNESS-DRIVER GND	*	1	X	
2-6	PBA SUB-D_SUB	JC92-01381A	1	O	
2-7	ELA HOU-SCAN MOTOR	JC96-02751A	1	O	
2-7-1	MOTOR STEP-SCAN	JB31-00011A	1	O	
2-7-2	BRACKET-MOTOR PLATEN	*	1	X	
2-7-3	GEAR-TIMING	JC66-00531A	1	O	
2-7-4	RING-E	6044-000125	3	O	
2-7-5	GEAR-REDUCTION73/37	JC66-00530A	1	O	
2-7-6	PMO-HOLDER BELT	JB72-00764A	1	O	
2-7-7	GEAR IDLE	JB66-00083A	1	O	
2-8	COVER-M-CCD CABLE	JC63-00158A	1	O	
2-9	COVER-SCAN LOWER(UMAX)	JC63-00157A	1	O	
2-10	IPR-CHANNEL BASE FRAME	JC70-00239A	2	O	
2-11	HOLDER-M-CCD(UMAX)	JC61-00703A	1	O	
2-12	PMO-COVER DUMMY LOWER(C)	JC72-00794A	1	O	
2-13	ICT-INSERT SHAFT	*	1	X	
2-14	PMO-PULLEY	JB72-00763A	1	O	
2-15	PMO-HOLDER BELT	JB72-00764A	1	O	
2-16	RING-E	6044-000125	1	O	
2-17	SHAFT-CCD(UMAX)	JC66-00532A	1	O	
2-18	PMO-LEVER SENSOR	JC72-00755A	1	O	
2-19	IPR-BRK SCAN BD	JC70-00228A	1	O	
2-20	SPRING ETC-EXIT	*	1	X	
2-21	ELA HOU-CCD MODULE	JC96-02759A	1	O	
2-22	CBF SIGNAL-CCD FFC	JC39-00236A	1	O	
2-23	CBF HARNESS-SCAN MOTOR	JB39-00077A	1	O	
3	ELA HOU-OPE	See Next Page			

O : Service available X : Service not available

**SCX-5315F (OPE)**

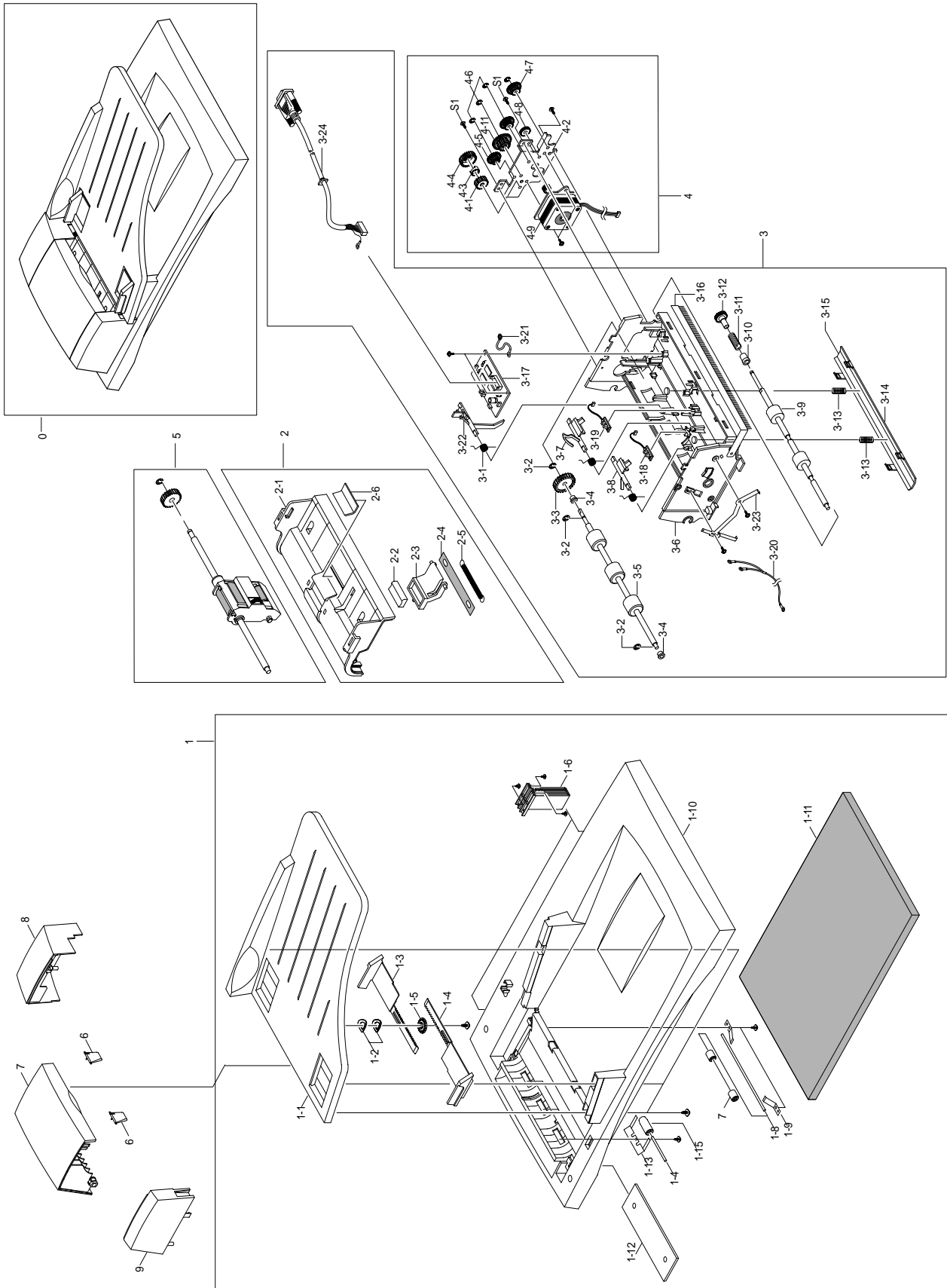
NO	DESCRIPTION	SEC CODE	Q'TY	SA	REMARK
3	ELA HOU-OPE	Refer to Info.	1	O	SCX-5315F
3-1	PMO-OPE COVER	Refer to Info.	1	O	
3-2	WINDOW-LCD (4IN1)	Refer to Info.	1	O	
3-3	PMO-COVER DUMMY OPE(M)	Refer to Info.	1	O	
3-4	PCT-ONETOUCH PAPER	Refer to Info.	1	O	
3-5	PCT-ONETOUCH CARD	JC72-00871A	1	O	
3-6	PMO-KEY ONETOUCH	JC72-00860A	1	O	
3-7	PMO-KEY SHIFT	JC72-00861A	1	O	
3-8	PMO-KEY FAX	JC72-00862A	1	O	
3-9	RMO-RUBBER ONETOUCH	JC73-00104A	1	O	
3-10	PMO-KEY SCROLL	JC72-00866A	1	O	
3-11	RMO-RUBBER SCROLL	JC73-00106A	1	O	
3-12	PMO-KEY COPY	JC72-00863A	1	O	
3-13	PMO-KEY TEL	JC72-00865A	1	O	
3-14	PMO-KEY OHD	JC72-00864A	1	O	
3-15	PMO-KEY SAVE(T)	JC72-00923A	1	O	
3-16	PMO-KEY SAVE	JC72-00867A	1	O	
3-17	PMO-KEY START	JC72-00868A	1	O	
3-18	PMO-KEY STOP	JC72-00869A	1	O	
3-19	RMO-RUBBER TEL	JC73-00105A	1	O	
3-20	PBA SUB-OPE(KOR)	JC81-00779A	1	O	
3-21	NPR-BADGE(45)	*	1	X	

**SCX-5115 (OPE)**

NO	DESCRIPTION	SEC CODE	Q'TY	SA	REMARK
3	ELA HOU-OPE(SEC)	Refer to Info.	1	O	SCX-5115
3-1	PMO-OPE COVER	Refer to Info.	1	O	
3-2	WINDOW-LCD(3IN1)	Refer to Info.	1	O	
3-3	PMO-COVER DUMMY OPE(C)	JC72-00859A	1	O	
3-4	PMO-KEY SCROLL	JC72-00866A	1	O	
3-5	PMO-KEY COPY	JC72-00863A	1	O	
3-6	PMO-KEY TEL	JC72-00865A	1	O	
3-7	PMO-KEY SAVE(T)	JC72-00923A	1	O	
3-8	PMO-KEY SAVE	JC72-00867A	1	O	
3-9	PMO-KEY STOP	JC72-00869A	1	O	
3-10	PMO-KEY START	JC72-00868A	1	O	
3-11	PMO-KEY OHD	JC72-00864B	1	O	
3-12	RMO-RUBBER SCROLL	JC73-00106A	1	O	
3-13	RMO-RUBBER TEL	JC73-00105A	1	O	
3-14	PBA SUB-OPE(KOR)	JC81-00779A	1	O	
3-15	NPR-BADGE(45)	*	1	X	

O : Service available X : Service not available

### 5-3. ADF ASS'Y Exploded View & Parts List



**ADF Ass'y Parts List**

NO	DESCRIPTION	SEC CODE	Q'TY	SA	REMARK
0	ELA HOU-ADF	JC96-02750A	1	O	
1	MEA UNIT-PLATEN COVER	JC97-01722A	1	O	
1-1	PMO-TX STACKER	JC72-00745A	1	O	
1-2	IPR-WASHER SPRING CU	JF70-10616A	2	O	
1-3	PMO-DOC GUIDE L	JC72-00839B	1	O	
1-4	PMO-DOC GUIDE R	JC72-00838B	1	O	
1-5	PMO-GEAR PINION	JF72-41354A	1	O	
1-6	MEA UNIT-HINGE	JC97-01731A	2	O	
1-7	RPR-ROLLER EXIT IDLE	JC73-00091A	2	O	
1-8	IPR-SHAFT EXIT	JC70-00242A	1	O	
1-9	NPR-SPRING PINCH DRIVE	JB71-00038A	2	O	
1-10	PMO-COVER PLATEN	JC72-00738A	1	O	
1-11	PPR-SPONG SHEET	JC72-00751A	1	O	
1-12	SHEET ABS-SHEET PLATEN(PET)	JC72-00750B	1	O	
1-13	IPR-SPRING PINCH	JC70-00260A	3	O	
1-14	ICT-SHAFT PINCH	*	3	X	
1-15	PMO-ROLL PINCH	JG72-40663A	3	O	
2	MEA UNIT-ADF UPPER ASS'Y	JC97-01581A	1	O	
2-1	PMO-COVER ADF UPPER	JC72-00736A	1	O	
2-2	RMO-ADF RUBBER	JB73-00052A	1	O	
2-3	PMO-HOLDER ADF	JB72-00825A	1	O	
2-4	RPR-SPONGE ADF	*	1	X	
2-5	SPRING ETC-COIL ADF	JC61-00040A	1	O	
2-6	SHEET-ADF	JC63-00079A	1	O	
3	ELA HOU-ADF LOWER ASS'Y	JC81-00434A	1	O	
3-1	SPRING ETC-TORSION DOC (CC2-F)	JB61-00076A	3	O	
3-2	RING-C	*	4	X	
3-3	GEAR-ADF 38	JB66-00103A	1	O	
3-4	PMO-BUSH	JB72-00819A	2	O	
3-5	MEC-ROLLER DRIVER	JC75-00149A	1	O	
3-6	PMO-COVER ADF LOWER	JC72-00735A	1	O	
3-7	PMO-ACTUATOR SENSOR DOC	JB72-00837A	1	O	
3-8	PMO-ACTUATOR SENSOR REGI	JC72-00747A	1	O	
3-9	MEC-ROLLER EXIT	JC75-00150A	1	O	
3-10	PMO-BUSHING HOLDER	JG72-40732A	1	O	
3-11	SPRING ETC-CLUTCH	JC61-00062A	1	O	
3-12	GEAR-EXIT 23	JC66-00323A	1	O	
3-13	SPRING ETC-WHITE BAR	JC61-00548A	1	O	
3-14	IPR-BRKT WHITE BAR	JC70-00225A	1	O	
3-15	PPR-WHITE BAR SHEET	JC72-00752A	1	O	

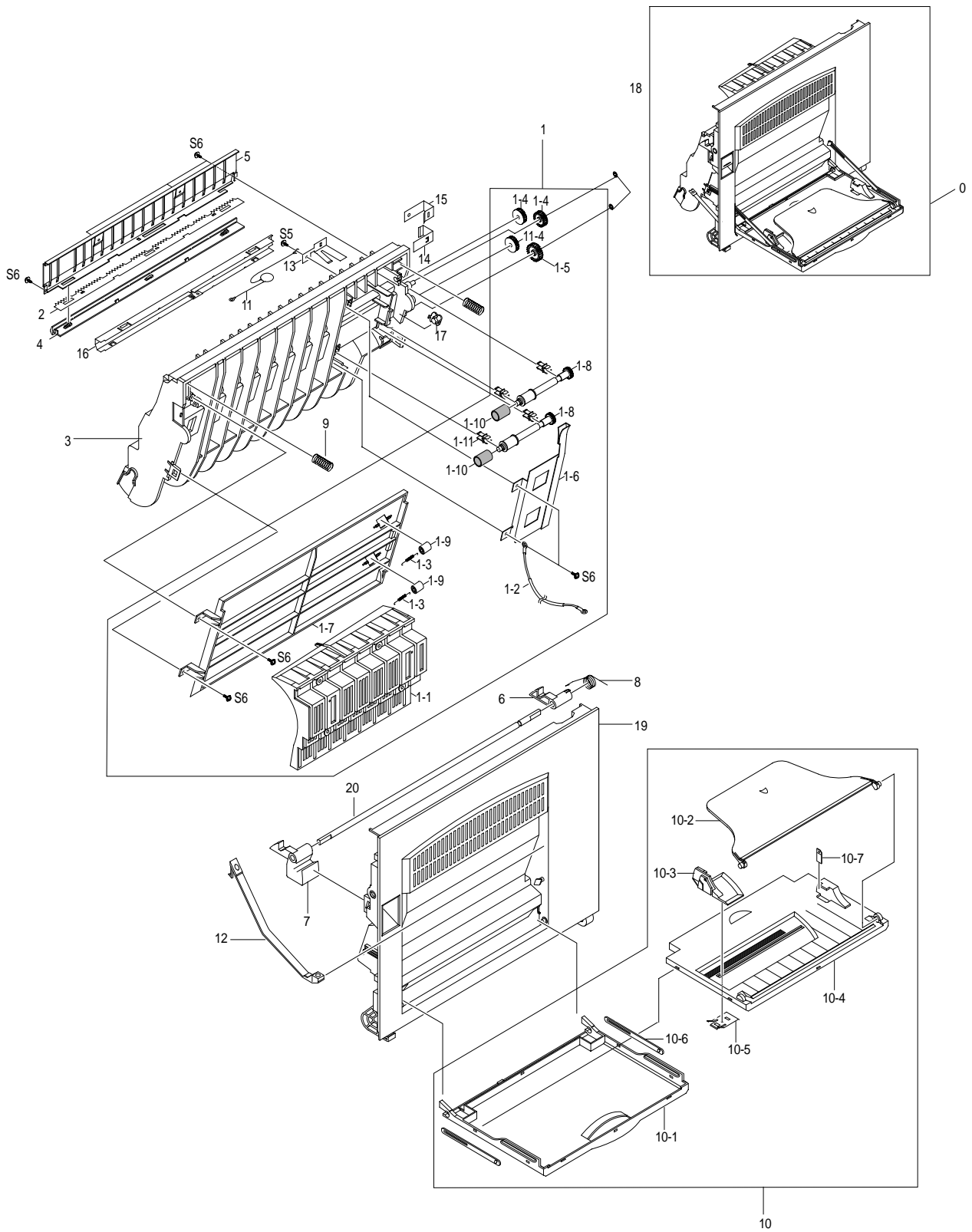
O : Service available X : Service not available

**ADF Ass'y Parts List(Cont.)**

NO	DESCRIPTION	SEC CODE	Q'TY	SA	REMARK
3-16	TAPE ETC-ANTI BRUSH	*	1	X	
3-17	PBA SUB-ADF	JC81-00437A	1	O	
3-18	PBA SUB-ADF POS SEN	JC92-01365A	1	O	
3-19	PBA SUB-ADF DET SEN	JC92-01366A	1	O	
3-20	CBF HARNESS-ADF ROLLER GND	JC39-00187A	1	O	
3-21	CBF HARNESS-DRIVER GND	JB39-00065A	1	O	
3-22	PMO-ACTUATOR SENSOR SCAN	*	1	X	
3-23	NPR-SPRING GND	JC71-00031A	1	O	
3-24	CBF D SUB CABLE-ADF_MAIN CABLE	JC39-00190A	1	O	
4	ELA HOU-ADF MOTOR ASS'Y	JC81-00435A	1	O	
4-1	GEAR-CLUTCH 29	*	1	X	
4-2	IPR-BRKT ADF MOTOR	*	1	X	
4-3	PMO-WHITE CLUTCH SUB 29	*	1	X	
4-4	GEAR-CLUTCH 39	*	1	X	
4-5	GEAR-IDLE20/33	*	2	X	
4-6	RING-C	*	7	X	
4-7	GEAR-IDLE17/35	*	2	X	
4-8	GEAR-IDLE25	*	1	X	
4-9	MOTOR STEP-ADF	JC31-00017A	1	O	
4-10	GEAR-JAM REMOVE	*	1	X	
4-11	GEAR-REDUCTION 45/19	*	1	X	
5	MEA UNIT-PICKUP ASS'Y	JC97-01582A	1	O	
6	PMO-GUIDE PAPER	JB72-00843A	2	O	
7	PMO-COVER OPEN	JC72-00737A	1	O	
8	PMO-COVER SIDE L	JC72-00739A	1	O	
9	PMO-COVER SIDE R	JC72-00740A	1	O	

O : Service available X : Service not available

### 5-4. Side Cover Ass'y Exploded View & Parts List

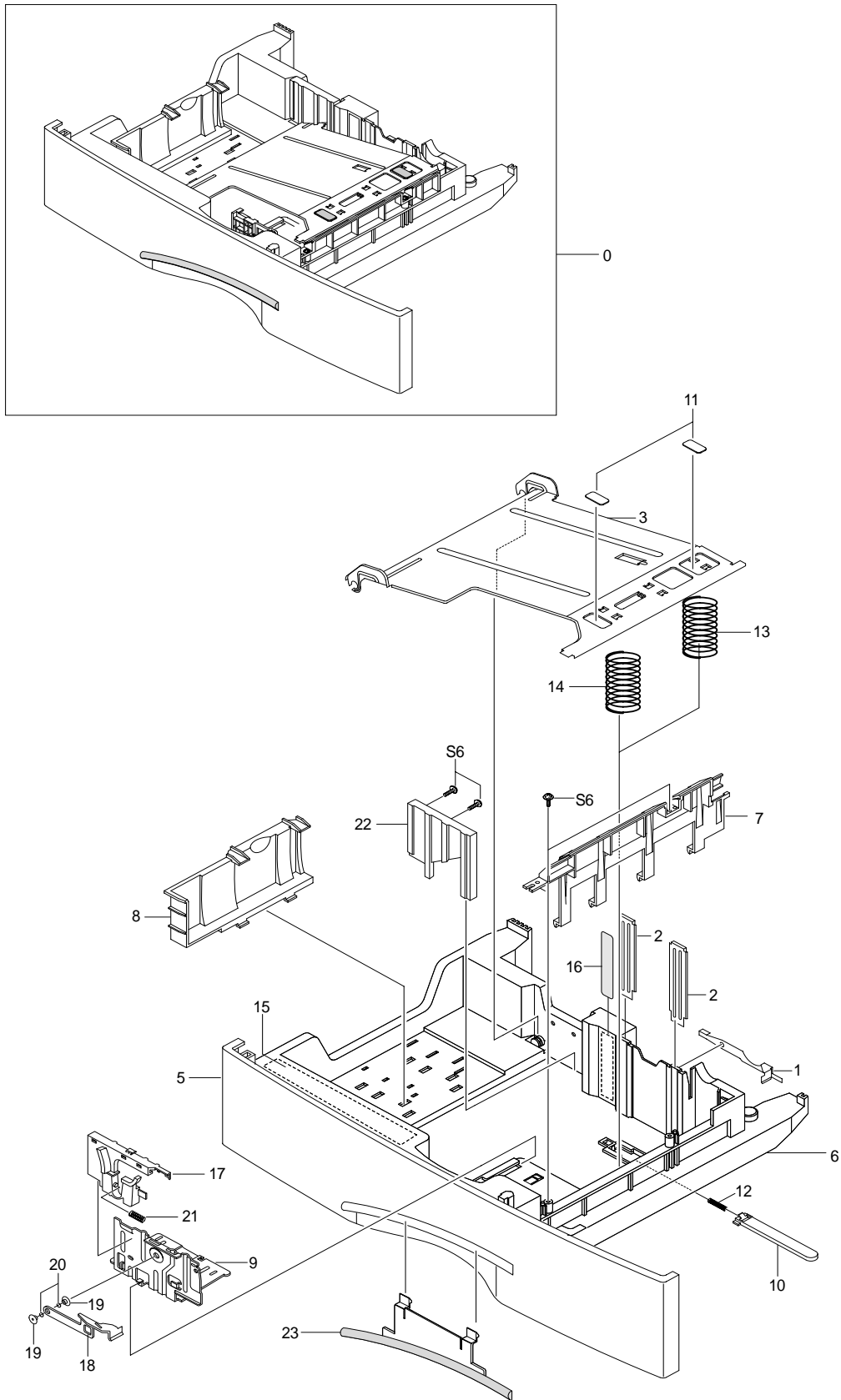


## Side Cover Ass'y Parts List

NO	DESCRIPTION	SEC CODE	Q'TY	SA	REMARK
0	ELA HOU-SIDE COVER	JC96-02183B	1	O	
1	MEA UNIT-DUPLEX ASS'Y	*	1	X	
1-1	PMO-GUIDE DP SIDE	JC72-00806A	1	O	
1-2	CBF HARNESS-SCAN GND	*	1	X	
1-3	SPRING ETC-FUSER EXIT	JC61-70976A	2	O	
1-4	GEAR-DUP IDLER 17	JC66-00341A	3	O	
1-5	GEAR-MP/DUP DRV	JC66-00346A	1	O	
1-6	IPR-BRKT G DUP	JC70-00233A	1	O	
1-7	PMO-GP LOWER DP	JC72-00732A	1	O	
1-8	PMO-SHAFT DUP DRIVER	JC72-00764A	2	O	
1-9	PMO-ROLLER_EXIT	*	2	X	
1-10	RPR-RUBBER EXIT	JC73-10203A	2	O	
1-11	PMO-BUSHING TX(B4)	JG72-40744A	1	O	
2	IPR-PLATE SAW	JC70-10232A	1	O	
3	PMO-FEED FRAME	JC72-00731A	1	O	
4	PMO-HOLDER SAW	JC72-41213A	1	O	
5	IPR-BRACKET GUIDE A	JC70-00229A	1	O	
6	PMO-LOCKER SIDE R	JC72-00763A	1	O	
7	PMO-LOCKER OPEN	JC72-00762B	1	O	
8	SPRING ETC-LOCKER TORSION	JC61-00479A	1	O	
9	SPRING ETC-FEED	JC61-00478A	2	O	
10	MEA UNIT-TRAY	*	1	X	
10-1	PMO-TRAY CASE,MP	JC72-00776A	1	O	
10-2	PMO-TRAY EXT,MP	JC72-00778A	1	O	
10-3	PMO-SIDE GUIDE MP	JC72-00547G	1	O	
10-4	PMO-TRAY COVER,MP	JC72-00777A	1	O	
10-5	IPR-GUIDE LATCH	JB70-10906A	1	O	
10-6	PMO-TRAY LINK,MP	JC72-00857A	1	O	
10-7	LABEL(R)-HEIGHT,MP	JC68-00697A	1	O	
11	CBF HARNESS-OPE GND	JC39-00036A	1	O	
12	PMO-TIE STOPPER	JC72-00766A	2	O	
13	IPR-BRKT GROUND B	JC70-00230A	1	O	
14	IPR-BRKT GROUND TR	JC70-00231A	1	O	
15	IPR-BRKT GROUND A	JC70-00232A	1	O	
16	IPR-BRACKET GUIDE B	JC70-00234A	1	O	
17	PMO-BUSHING FEED	JC72-00730A	1	O	
18	RING-CS	6044-000001	2	O	
19	PMO-SIDE COVER	JC72-00765A	1	O	
20	ICT-SHAFT LOCKER	JC70-00266A	1	O	

O : Service available X : Service not available

### 5-5. Cassette Ass'y Exploded View & Parts List

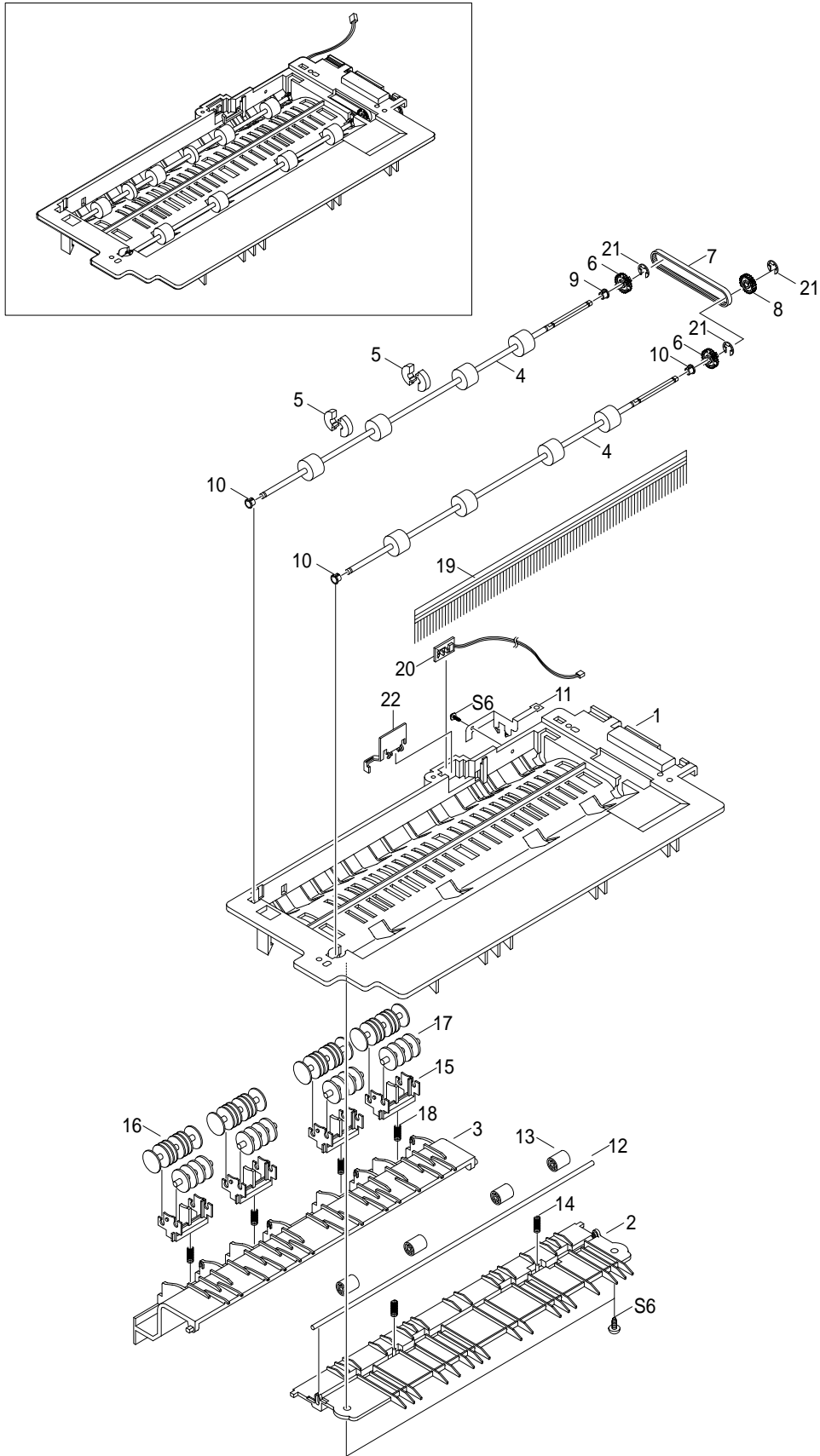


**Cassette Ass'y Parts List**

NO	DESCRIPTION	SEC CODE	Q'TY	SA	REMARK
0	MEC-CASSETTE PLUS ASS'Y	JC97-01736A	1	O	
1	IPR-FINGER	JC70-00220A	1	O	
2	PLATE GUIDE PAPER	JC61-00831A	2	O	
3	IPR-PLATE K/UP	JC70-00221A	1	O	
5	PMO-COVER CASSETTE	JC72-00795A	1	O	
6	PMO-FRAME CASSETTE	*	1	X	
7	GUIDE FRONT CST PLUS	*	1	X	
8	PMO-GUIDE REAR	JC72-00717A	1	O	
9	GUIDE SIDE CST	*	1	X	
10	PMO-LOCKER PLATE	JC72-41210A	1	O	
11	PAD-CST PLUS	*	2	X	
12	SPRING-LOCKER PLATE	JG61-70531A	1	O	
13	SPRING CS RE	*	1	X	
14	SPRING CS FR	*	1	X	
15	LABEL(R)-INSTRUCTION CST PLUS	*	1	X	
16	LABEL(R)-HEIGHT CST	*	1	X	
17	GUIDE SIDE HANDLE	*	1	X	
18	IPR FINGER LEFT	JC70-00325A	1	O	
19	PMO-BUSHING FINGER, F	JC61-00653A	2	O	
20	WASHER PLAIN	*	2	X	
21	SPRING WHITE BAR	JC61-00548A	1	O	
22	GUIDE SUB WALL	JC61-00840A	1	O	
23	PMO-IMPACT CASSETTE	JC72-00877A	1	O	

O : Service available X : Service not available

### 5-6. Exit Ass'y Exploded View & Parts List

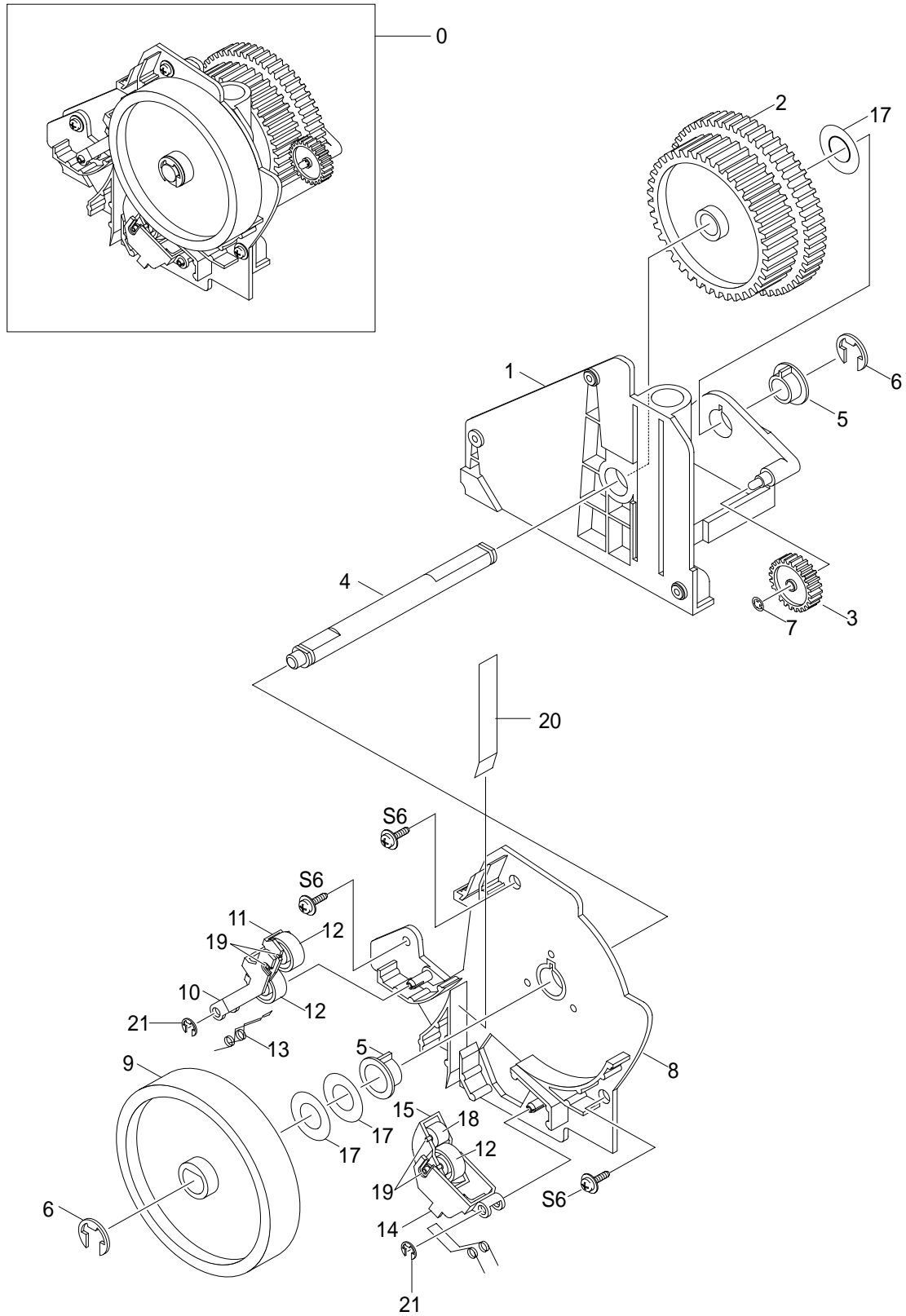


**Exit Ass'y Parts List**

NO	DESCRIPTION	SEC CODE	Q'TY	SA	REMARK
0	MEA UNIT-EXIT ASS'Y	JC97-01643A	1	O	
1	PMO-GUIDE-EXIT UPPER	JC72-00708A	1	O	
2	PMO-GUIDE-EXIT LOWER	JC72-00710A	1	O	
3	PMO-GUIDE-JAM REMOVE	*	1	X	
4	MEC-ROLLER EXIT DRV	JC75-00127A	2	O	
5	PMO-ROLLER DECURL	JC72-00833A	4	O	
6	PMO-PULLEY DUPLEX	JC72-40980A	2	O	
7	BELT-TIMING GEAR	6602-001084	1	O	
8	GEAR-DUPLEX	JC66-40912A	1	O	
9	PMO-BEARING LARGE DP	JC72-00885A	3	O	
10	PMO-BEARING LARGE DP	JC72-40978A	1	O	
11	IPR-GROUND-EXIT	*	1	X	
12	ICT-SHAFT-EXIT LOWER ID	*	1	X	
13	PMO-ROLLER_EXIT	*	4	X	
14	SPRING ETC-EXIT ROLL FD	*	2	X	
15	HOLDER-EXIT(MC)	*	4	X	
16	PMO-ROLLER FD F	JC72-41007A	4	O	
17	PMO-ROLLER FD R	JC72-41008A	4	O	
18	SPRING ETC-EXIT LOWER IDLE	*	4	X	
19	MEC-BRUSH ANTISTATIC	JC75-00095A	1	O	
20	PBA SUB-BIN_FULL_SEN.	JC92-01400A	1	O	
21	RING-C	*	3	X	
22	PMO-LEVER-STACKING	JC72-00709A	1	O	

O : Service available X : Service not available

### 5-7. Feeder Ass'y Exploded View & Parts List

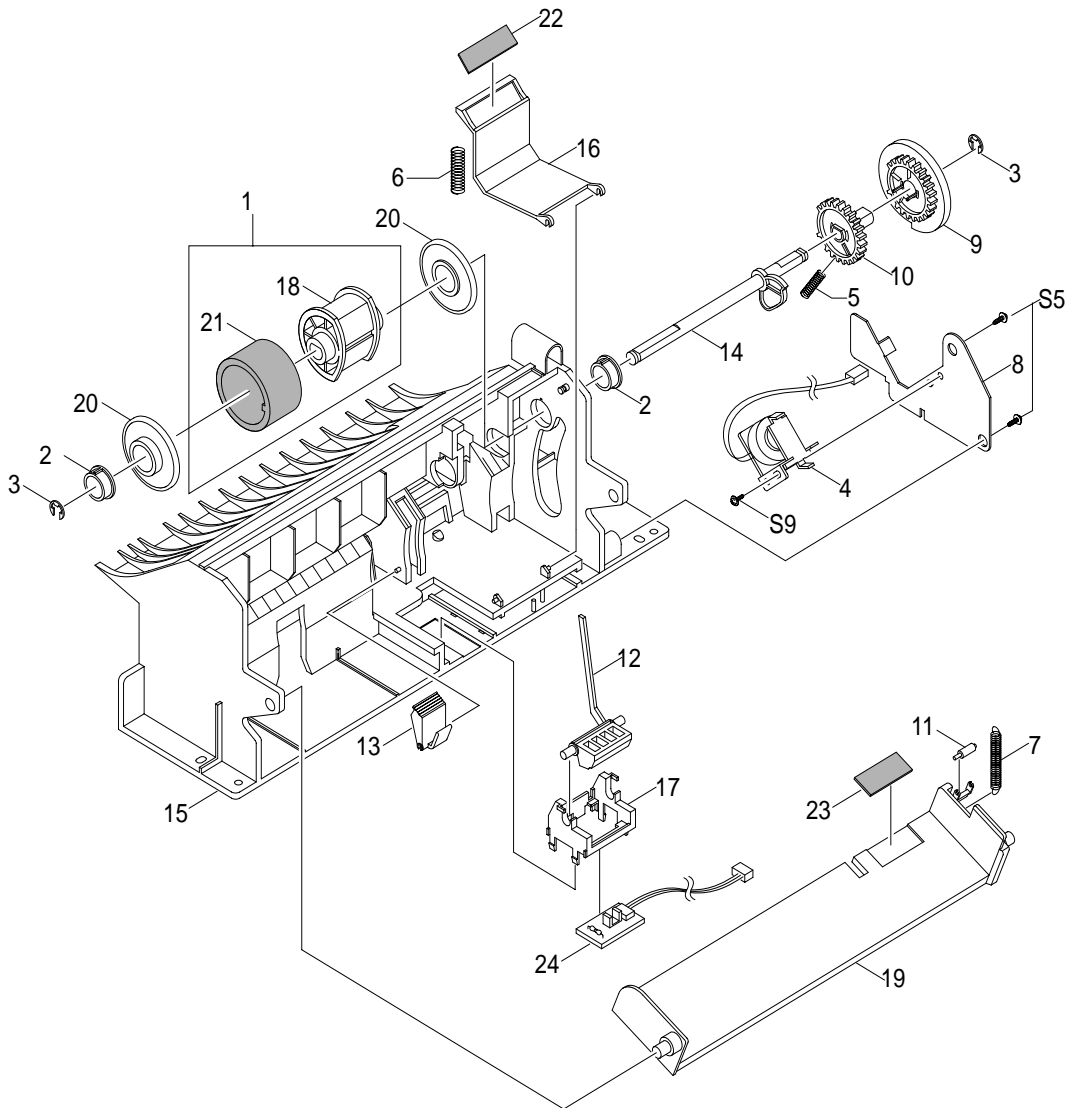
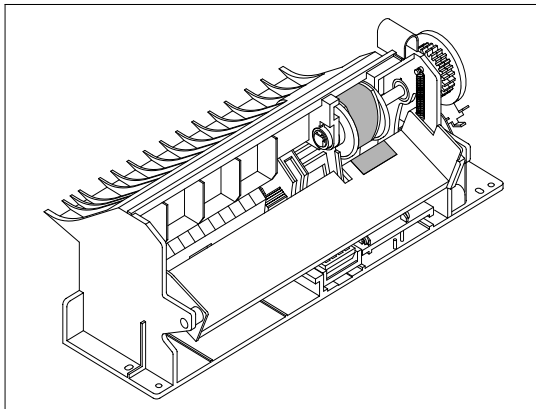


**Feeder Ass'y Parts List**

NO	DESCRIPTION	SEC CODE	Q'TY	SA	REMARK
0	MEA-FEED ASS'Y	JC75-00143B	1	O	
1	PMO-FRAME FEED	*	1	X	
2	GEAR-FEED	JC66-00332A	1	O	
3	GEAR-MP/DUP DRV	*	1	X	
4	ICT-SHAFT FEED	*	1	X	
5	BEARING-PICKUP	*	2	X	
6	RING-E	*	2	X	
7	RING-CS	*	1	X	
8	PMO-BRKT FEED	*	1	X	
9	PMO-ROLLER FEED	JC72-00727A	1	O	
10	PMO-HOLDER PINCH C	*	1	X	
11	PMO-HOLDER PINCH SUB	*	1	X	
12	PMO-ROLLER FEED L	JC72-40261A	3	O	
13	SPRING-FEED CAST	*	1	X	
14	PMO-HOLDER PINCH M	*	1	X	
15	PMO-SUB HOLDER FEED	*	1	X	
16	SPRING-FEED MP	*	1	X	
17	WASHER-PLAIN	*	3	X	
18	PMO-ROLLER FEED S	*	1	X	
19	IPR-SHAFT FEED IDLER	*	4	X	
20	SHEET FEEDER	*	1	X	
21	E-RING	*	2	X	Ø3

O : Service available X : Service not available

### 5-8. MP Ass'y Exploded View & Parts List

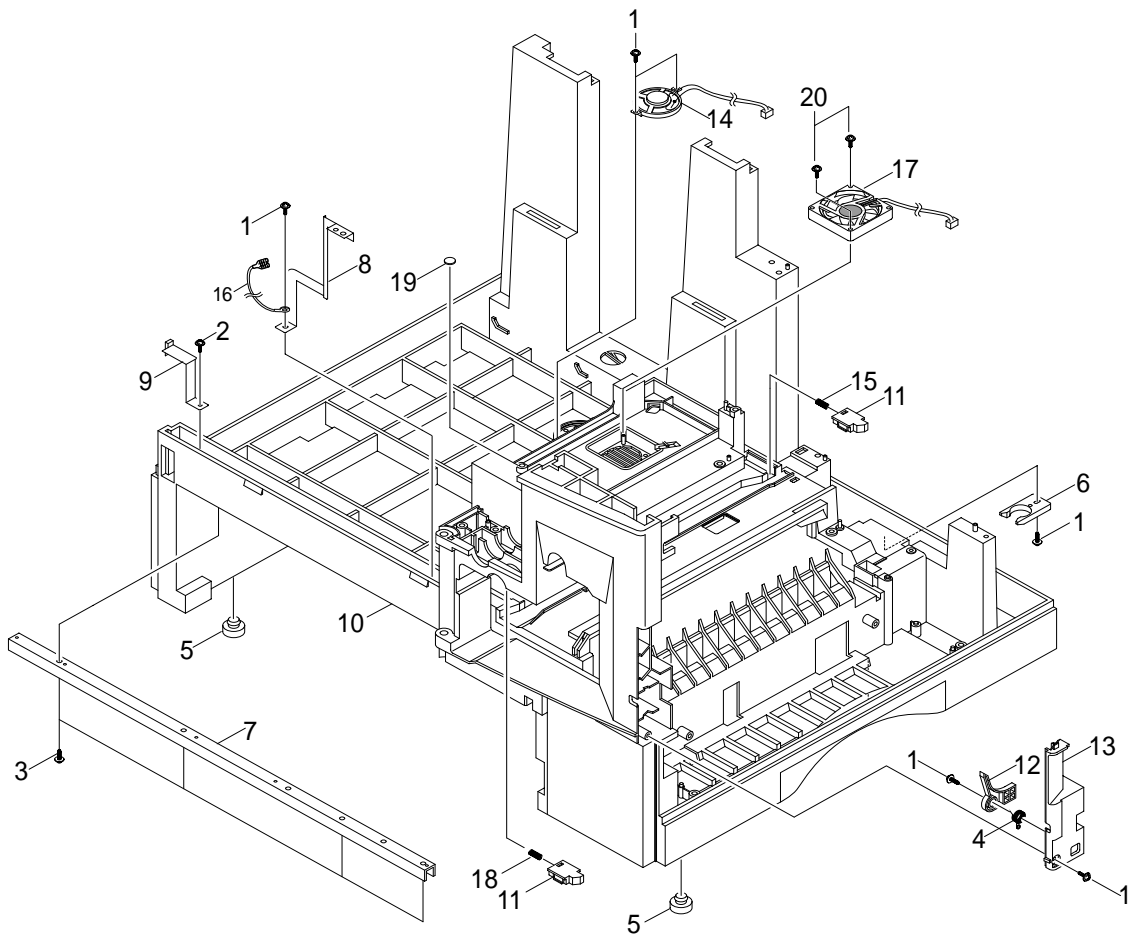
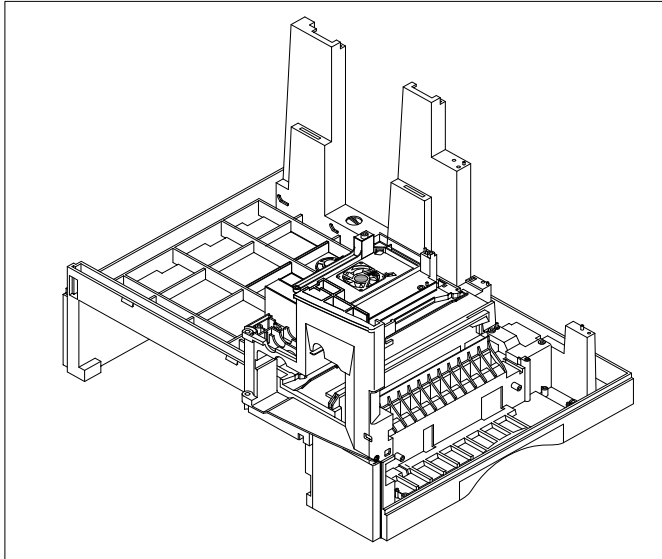


**MP Ass'y Parts List**

NO	DESCRIPTION	SEC CODE	Q'TY	SA	REMARK
0	ELA HOU-MP ASS'Y	JC96-02182A	1	O	
1	A/S-PICK UP, MP AS(FRU)	JC81-00427A	1	O	
2	PMO-BUSHING PICKUP,MP	JC72-41364A	2	O	
3	RING-E	6044-000125	2	O	
4	SOLENOIDE,MP	JC33-00006A	1	O	
5	SPRING-CAM MP	JC61-00003A	1	O	
6	SPRING-PICK UP,MP	*	1	X	
7	SPRING-KNOCKUP,MP	JC61-00483A	1	O	
8	IPR-BRACKET SOLENOIDE	*	1	X	
9	PMO-HOLDER CAM MPF	*	1	X	
10	PMO-GEAR P/U MPF	*	1	X	
11	PMO-ROLLER CAM.MP	*	1	X	
12	PMO-ACTUATOR,MP	JC72-00767A	1	O	
13	PMO-ADJUSTER,MP	JC72-00768A	1	O	
14	PMO-CAM PICK UP,MP	JC72-00769A	1	O	
15	PMO-FRAME,MP	JC72-00770A	1	O	
16	PMO-HOLDER PAD,MP	JC72-00771A	1	O	
17	PMO-HOLDER SENSOR,MP	JC72-00772A	1	O	
18	PMO-HOUSING PICK UP,MP	*	1	X	
19	PMO-PLATE KNOCK UP,MP	*	1	X	
20	PMO-IDLE PICK UP,MP	JC72-41027A	2	O	
21	RPR-RUBBER PICK UP,MP	*	1	X	
22	RPR-RCT-PAD-PICKUP,MP	JC73-00090A	1	O	
23	RPR-PAD KNOCK UP,MP	JC73-10906A	1	O	
24	PBA SUB-MP SEN	<a href="#">JC92-01362A</a>	1	O	

O : Service available X : Service not available

## 5-9. Base Frame Exploded View & Parts List

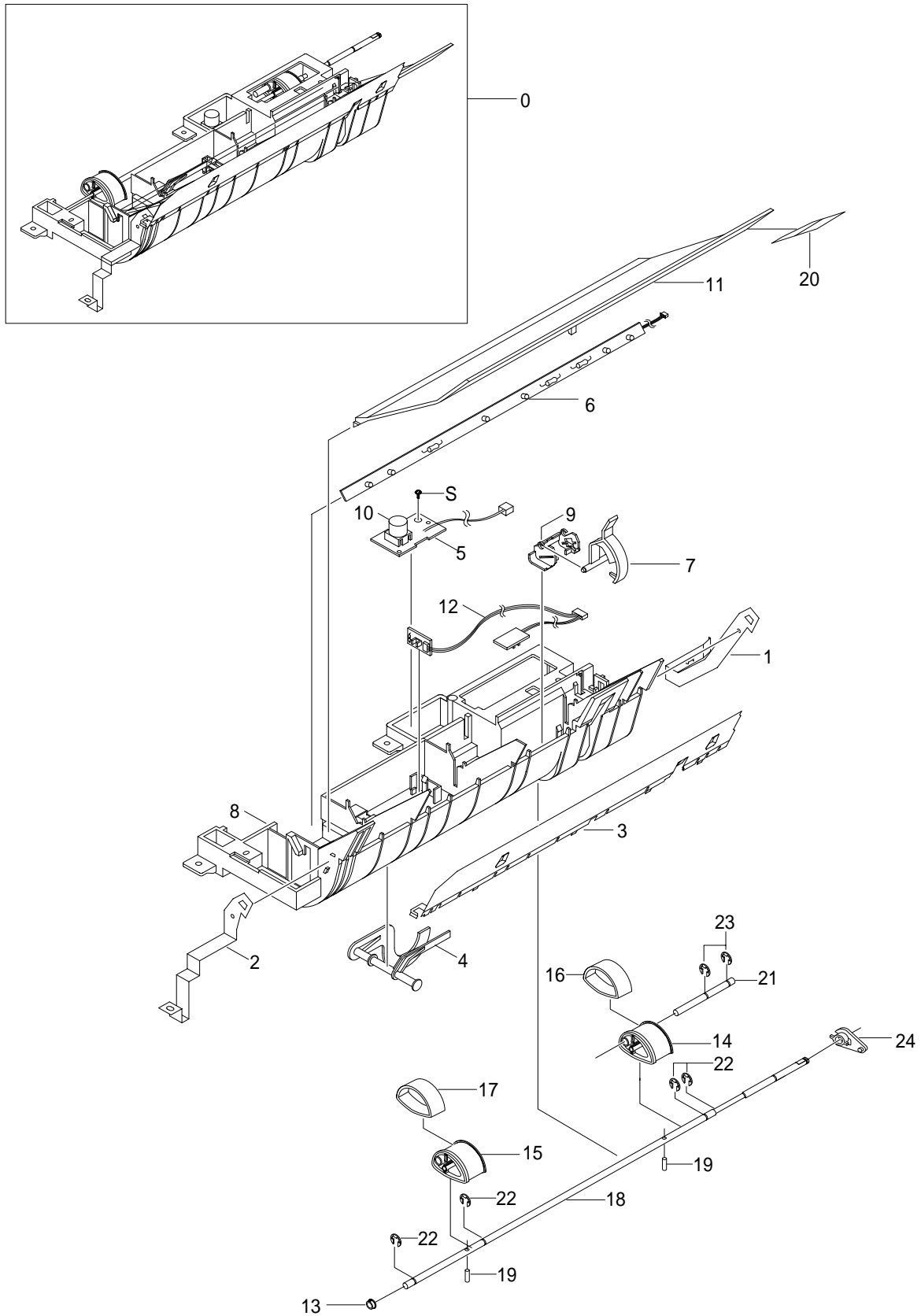


**Base Frame Parts List**

NO	DESCRIPTION	SEC CODE	Q'TY	SA	REMARK
0	ELA HOU-BASE FRAME	JC96-02818A	1	O	SCX-5315F
	ELA HOU-BASE FRAME	JC96-02818B	1	O	SCX-5115
1	SCREW-TAPTITE	*	5	X	
2	SCREW-TAPTITE	*	2	X	
3	SCREW-TAPTITE	*	4	X	
4	SPRING ETC-TORSION	*	1	X	
5	FOOT-ML80	JC61-40001A	2	O	
6	CAM-CATCH	*	1	X	
7	IPR-CHANNEL BASE FRAME	*	1	X	
8	IPR-GROUND PLATE A(OPC)	JC70-00240A	1	O	
9	IPR-GROUND PLATE B(BASE)	JC70-00241A	1	O	
10	PMO-BASE FRAME	JC72-00779A	1	O	
11	PMO-BRACKET PUSH DEVE	*	2	X	
12	PMO-BRACKET SIDE OPEN	JC72-00781A	1	O	
13	PMO-COVER FRONT DUMMY	JC72-00785A	1	O	
14	ELA M/M-AUD SPEAKER	JC96-01607A	1	O	
15	SPRING ETC-DEVE REAR	*	1	X	
16	CBF HARNESS-OPC GND	*	1	X	
17	FAN-DC(LSU)	JC31-00026A	1	O	
18	SPRING ETC-DEVE FRONT	*	1	X	
19	SHEET-BASE FRAME	*	2	X	
20	SCREW-TAPPING	*	2	X	

O : Service available X : Service not available

### 5-10.Pick-up Ass'y Exploded View & Parts List

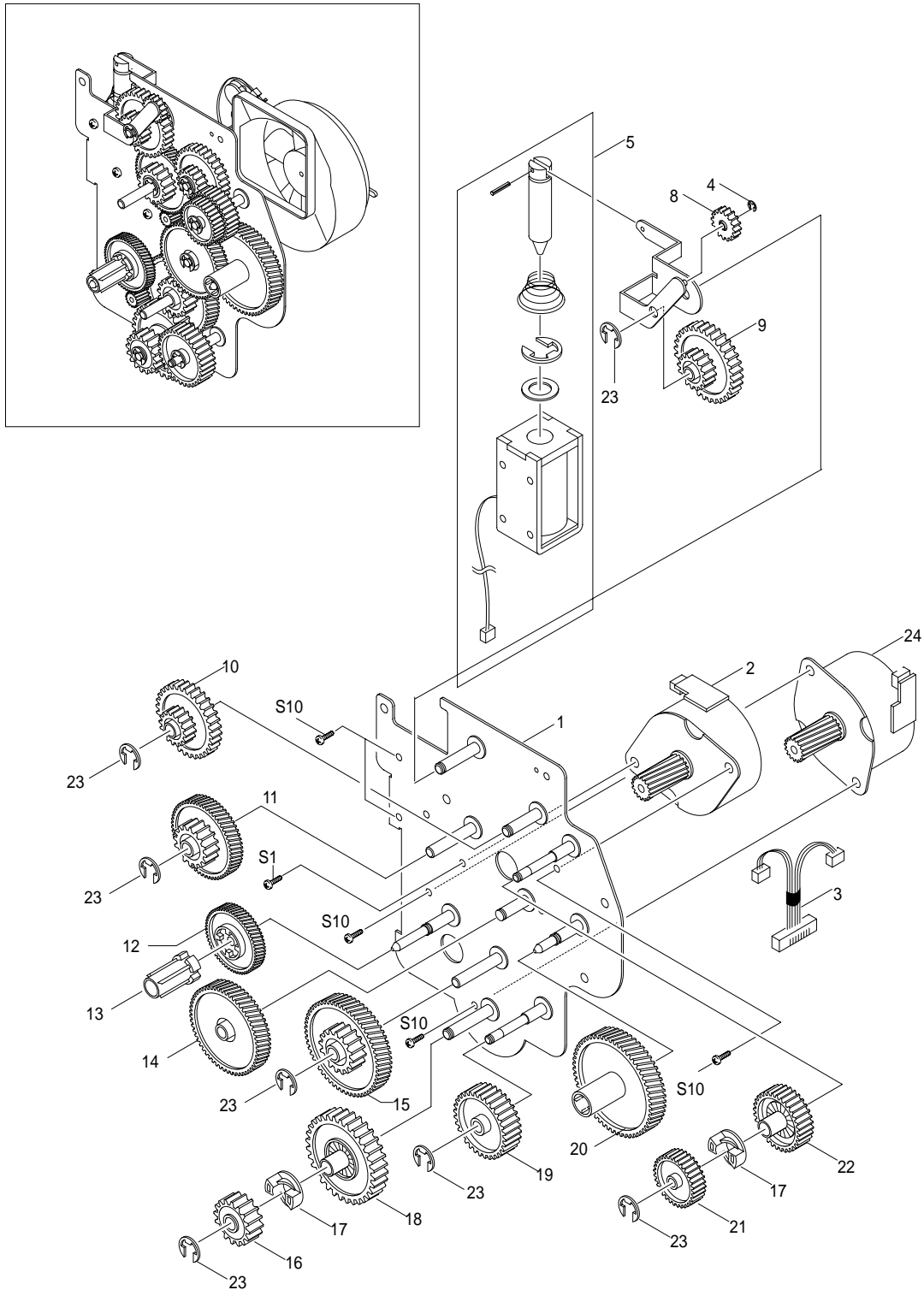


**Pick-up Ass'y Parts List**

NO	DESCRIPTION	SEC CODE	Q'TY	SA	REMARK
0	ELA HOU-PICKUP PLUS ASS'Y	JC96-02715B	1	O	
1	IPR-GND FEED	*	1	X	
2	IPR-GND INPUT	JC70-00235A	1	O	
3	IPR-GUIDE INPUT	JC70-00222A	1	O	
4	PMO-ACTUATOR NO PAPER	*	1	X	
5	PBA SUB-TONER_TX	JC92-01359A	1	O	
6	PBA SUB-PTL	JC92-01361A	1	O	
7	PMO-FEED SENSOR	*	1	X	
8	PMO-GUIDE PAPER	JC72-00722A	1	O	
9	PMO-HOLDER SENSOR FEED	*	1	X	
10	PMO-LENS TONER SENSOR	*	1	X	
11	PMO-PTL PATH	*	1	X	
12	PBA SUB-FEED+PEMP SEN.	JC92-01363A	1	O	
13	PMO-BUSHING_P/U,MP	JC72-41364A	1	O	
14	HOUSING-PICKUP LARGE	*	1	X	
15	HOUSING-PICKUP SMALL	*	1	X	
16	RPR RUBBER PICKUP	*	1	X	
17	RUBBER PICKUP SMALL	<a href="#">JC73-00163A</a>	1	O	
18	SHAFT-PICKUP CST	*	1	X	
19	SHAFT PIN ADF	*	1	X	
20	SHEET-PTL PATH	*	1	X	
21	SHAFT-SUB-PICKUP	*	1	X	
22	RING-E ID4	6044-000125	4	O	
23	RING-E ID5	6044-000231	2	O	
24	PMO-BEARING SHAFT	JC72-41191A	1	O	
S	SCREW-TAPTITE	*	1	X	

O : Service available X : Service not available

### 5-11. Drive Ass'y Exploded View & Parts List

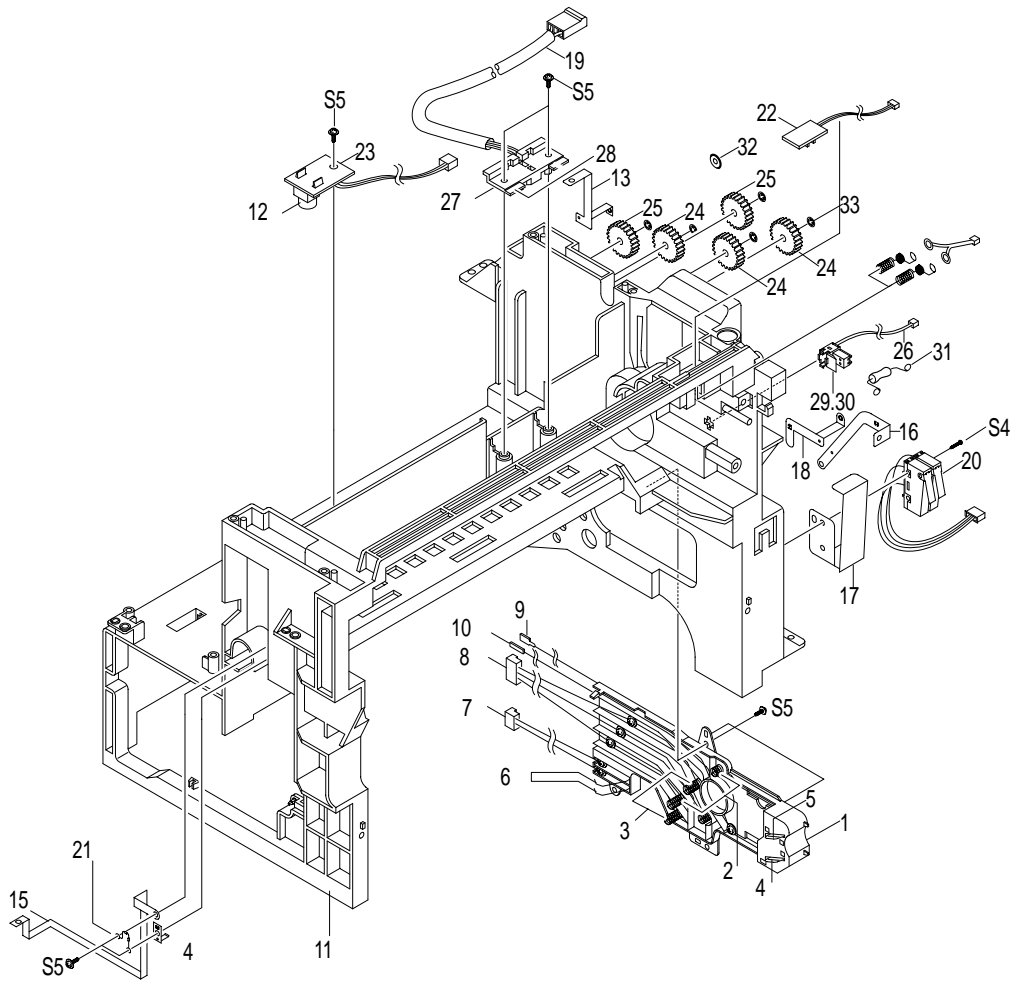
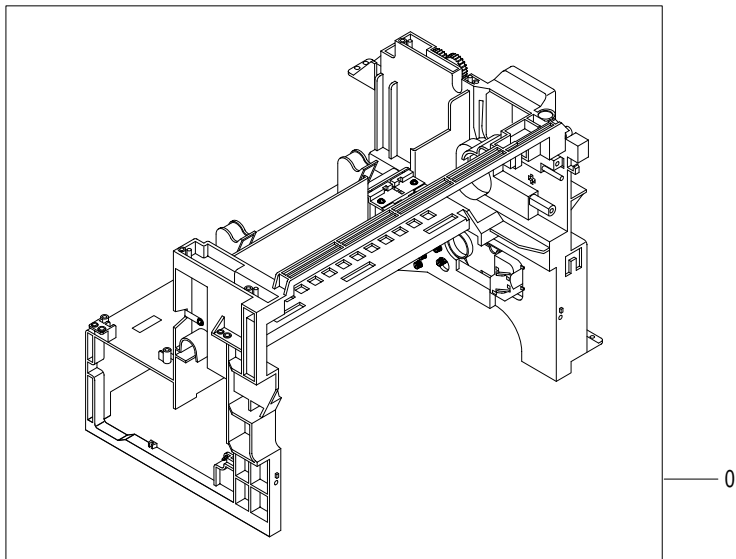


## Drive Ass'y Parts List

NO	DESCRIPTION	SEC CODE	Q'TY	SA	REMARK
0	ELA HOU-DRIVE(15PPM)	JC96-02741A	1	O	
1	IPR-BRKT MOTOR	*	1	X	
2	MOTOR STEP-MAIN	JC31-00020B	2	O	M49SP-2K
3	CBF HARNESS-MOTOR	JC39-00165A	1	O	
4	RING-C	6044-000159	1	O	
5	SOLENOID-DUPLEX	JC33-00008A	1	O	
6	SPRING ETC-SOLENOID DP	*	1	X	
7	IPR-LINK SOLENOID	*	1	X	
8	GEAR-EXIT/U,ID	JC66-40211B	1	O	
9	GEAR-SWING DRV	*	1	X	
10	GEAR-35/19	*	1	X	
11	GEAR-71/23	*	1	X	
12	GEAR-DEVE DRV	*	1	X	
13	PMO-DEV/COUPLING	*	1	X	
14	GEAR-RDCN,OPC	*	1	X	
15	GEAR-86/23	*	1	X	
16	GEAR-RDCN FEED OUTER	*	1	X	
17	GEAR-HUB CLUTCH	*	2	X	
18	GEAR-RDCN FEED INNER	*	1	X	
19	GEAR-FEED DRV	*	1	X	
20	GEAR-OPC DRV	*	1	X	
21	GEAR-GEAR FUSER DRV OUTER	*	1	X	
22	GEAR-FUSER DRV INNER	*	1	X	
23	RING-E	6044-000231	7	O	
24	MOTOR STEP-MAIN	JC31-00028B	1	O	M4PSP-2NK

O : Service available X : Service not available

## 5-12. Main Frame Ass'y Exploded View & Parts List

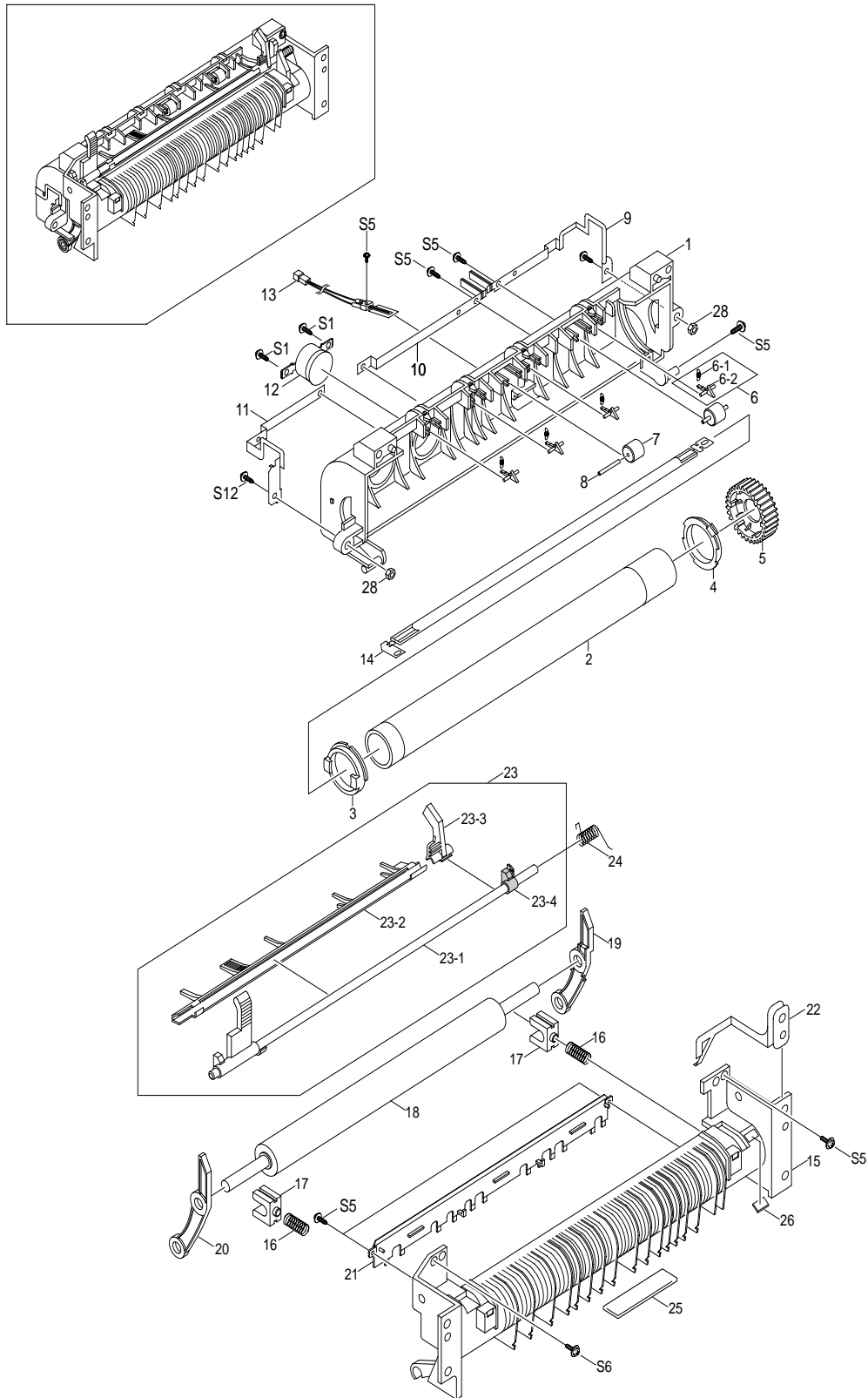


## Main Frame Ass'y Parts List

NO	DESCRIPTION	SEC CODE	Q'TY	SA	REMARK
0	ELA HOU-FRAME MAIN ASS'Y	JC96-02184A	1	O	
1	PMO-HOUSING TERMINAL	JC72-00802A	1	O	
2	IPR-TERMINAL BLADE	*	2	X	
3	IPR-TERMINAL SUPPLY	*	2	X	
4	IPR-TERMINAL TR	JC70-00271A	1	O	
5	IPR-TERMINAL GND	JC70-00272A	1	O	
6	IPR-TERMINAL DEVE KEY	*	2	X	
7	CBF-HARNESS-DEV-ID	*	1	X	
8	CBF-HARNESS-BLADE+SUPPLY+DEV	*	5	X	
9	CBF-HARNESS-THV WIRE	*	1	X	
10	CBF-HARNESS-MHV WIRE	*	1	X	
11	PMO-FRAME MAIN	JC72-00800A	1	O	
12	PMO-LENS TONER SENSOR	JC72-00803A	2	O	
13	IPR-GND EXIT	*	1	X	
14	IPR-GND OPC	*	1	X	
15	IPR-GND OPC BASE	*	1	X	
16	IPR-GND FUSER	*	1	X	
17	IPR-GUARD C/O S/W	*	1	X	
18	IPR-GND TERMINAL	*	1	X	
19	CBF HARNESS-AC WIRE	*	1	X	
20	AS-SWITCH MICRO(FRU)	JC81-00438A	1	O	
21	CBF-HARNESS-EARTH(TX MOTOR)	*	1	X	
22	PBA SUB-EXIT SENSOR	JC92-01364A	1	O	
23	PBA SUB-TONER_RX	JC92-01360A	1	O	
24	GEAR-EXIT/U,ID	JC66-40211B	3	O	
25	GEAR-EXIT,IDLE(Z17)	JC66-40964A	2	O	
26	CBF-HARNESS THERMISTOR_JOINT	JC39-00164A	1	O	
27	PMO-HOUSING TERMINAL	JC72-41010A	1	O	
28	IPR-TERMINAL FU	JC70-10961A	2	O	
29	PMO-CAP CONNECTOR L	JC72-00463A	1	O	
30	PMO-CAP CONNECTOR U	JC72-00465A	1	O	
31	ELA HOU-MOTOR GND	*	1	X	
32	SPRING-CLUTCH	JB61-70922A	2	O	
33	RING-CS	6044-000001	5	O	

O : Service available X : Service not available

### 5-13. FuserAss'y Exploded View & Parts List



## Fuser Ass'y Parts List

NO	DESCRIPTION	SEC CODE	Q'TY	SA	REMARK
0	ELA HOU-FUSER	JC96-02814A	1	O	110V
	ELA HOU-FUSER	<a href="#">JC96-02815A</a>	1	O	220V
1	PMO-UPPER FUSER	JC72-00812A	1	O	
2	ROLLER-HEAT	*	1	X	
3	PMO-BEARING H/R-F	JC72-00814A	1	O	
4	BEARING-H/R L	JC66-10902A	1	O	
5	GEAR-FUSER	JC66-40913B	1	O	110V
	GEAR-FUSER	JC66-00669A	1	O	
6	MEA UNIT-CLAW ASS'Y	JC97-01587A	4	O	
6-1	SPRING ETC-SAPERATION	JC61-70909A	1	O	
6-2	PMO-GUIDE CLAW	*	1	X	
7	PEX-ROLLER EXIT F_UP	JC72-20901A	2	O	
8	IPR-PIN ROLLER EXIT	*	2	X	
9	NPR-ELECTRODE GEAR	JC71-00029A	1	O	
10	NPR-ELECTRODE M	JC71-00030A	1	O	
11	NPR-ELECTRODE F	JC71-00028A	1	O	
12	THERMOSTAT	4712-000001	1	O	
13	THERMISTOR	JC14-00001A	1	O	
14	LAMP-HALOGEN	4713-001170	1	O	110V
14	LAMP-HALOGEN	4713-001171	1	O	220V
15	PMO-LOWER FUSER	JC72-00820A	1	O	
16	SPRING ETC-PR(7300)	JC61-00056A	2	O	
17	BEARING-PRESSURE/R	<a href="#">JC66-10901A</a>	2	O	
18	ROLLER-PRESSURE	*	1	X	
19	PMO-LEVER JAM R	JC72-01262A	1	O	
20	PMO-LEVER JAM F	JC72-01259A	1	O	
21	PMO-GUIDE INPUT	JC72-00817A	1	O	
22	IPR-GROUND FU	JC70-00259A	1	O	
23	MEA UNIT-ACTUATOR ASS'Y	JC97-01611A	1	O	
23-1	PMO-ACTUATOR EXIT	JC72-00810A	1	O	
23-2	PMO-GUIDE DUPLEX	JC72-00816A	1	O	
23-3	PMO-ARM ACTUATOR	JC72-00811A	1	O	
23-4	GUIDE-REMOVE	*	1	X	
24	SPRING ETC-ACTUATOR6G	JC61-00485A	1	O	
25	LABEL(R)-CAU_HOT_FU	*	1	X	
26	LABEL(R)-HV FUSER	*	1	X	
27	LABEL FUSER M+	*	1	X	
28	NUT-HEXAON	*	2	X	

O : Service available X : Service not available

**5-14. Screw**

NO	SEC CODE	DESCRIPTION	SPEC.	
S1	6006-000127	SCREW-ASS'Y MACH	WS,PH,+,M3,L6,ZPC(YEL),MSWR15	
S2	6001-000568	SCREW-MACHINE	PH,+,M3,L8,NI PLT,SM20C,-	
S3	6002-000175	SCREW-TAPPING	PWH,+,2,M3,L8,ZPC(YEL),SM20C	
S4	6002-000351	SCREW-TAPPING	PH,+,2,M2,L8,ZPC(YEL),SM20C	
S5	6003-000119	SCREW-TAPTITE	BH,+,B,M3,L8,CBLACK,SWRCH18A	
S6	6003-000196	SCREW-TAPTITE	PWH,+,B,M3,L10,NI PLT,SWRCH18A	
S7	6003-000198	SCREW-TAPTITE	PWH,+,B,M3,L12,ZPC(YEL),SWRCH1	
S8	6003-000221	SCREW-TAPTITE	PWH,+,S,M4,L8,ZPC(YEL),SWRCH18	
S9	6003-000266	SCREW-TAPTITE	PWH,+,S,M3,L6,ZPC(YEL),SWRCH18	
S10	6003-000269	SCREW-TAPTITE	BH,+,S,M3,L6,ZPC(YEL),SWRCH18A	
S11	6003-001256	SCREW-TAPTITE	BH,+,B,M4,L10,NI PLT,SWRCH18A	
S12	6006-001031	SCREW-ASS'Y MACH	WSP,PH,+,M3,ZPC(YEL),SM10C	