

5. Exploded Views and Parts List

Contents

5.1 Main	5-2	5.8 Platen Ass'y	5-18
5.2 Cover Housing	5-4	5.9 OPE Unit	5-20
5.3 Front Cover	5-6	5.10 RX Drive Unit	5-22
5.4 Rear Cover	5-8	5.11 MP Tray	5-24
5.5 Frame Ass'y	5-10	5.12 Fuser Unit	5-26
5.6 ADF Ass'y	5-12	5.13 Paper Path Ass'y	5-28
5.6-3-2 ADF Ass'y Part (Additional)	5-13	5.14 Pick UP Unit	5-30
5.7 Platen Cover Ass'y	5-16		

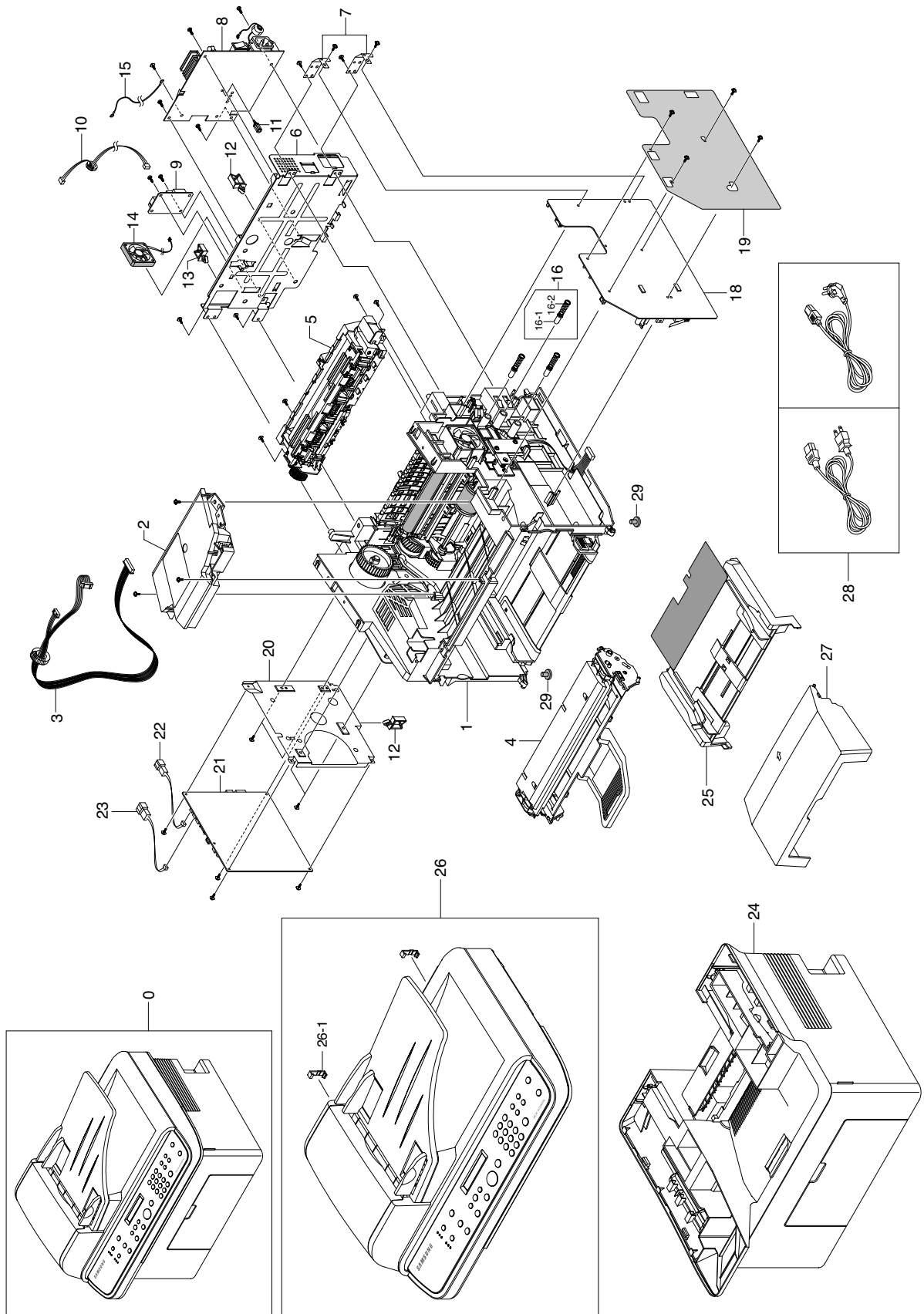
DIGITAL LASER MFP



The keynote of Product

- Machine Life: 50,000Pages
- Cpu: Chorus M
- Device Memory: 32MB
- Resolution: 1200x1200dpi
- Option: N/A
- Printing Speed: 24ppm(A4, LTR)
- Print Language: PCL
- Path Type: C-Path
- Cassette Capa.: 250sheets
- Outlet Stacking Capa.: 100sheets
- Toner Cartridge: initial(1.5K), sales(3K)
- ADF Capacity: 30sheets
- Scan Method: 600 dpi Color CIS
- Copy Speed: SDMC: 22Cpm/Ltr,
MDMC: 7Cpm/Ltr
- Interface: USB2.0

5.1 Main

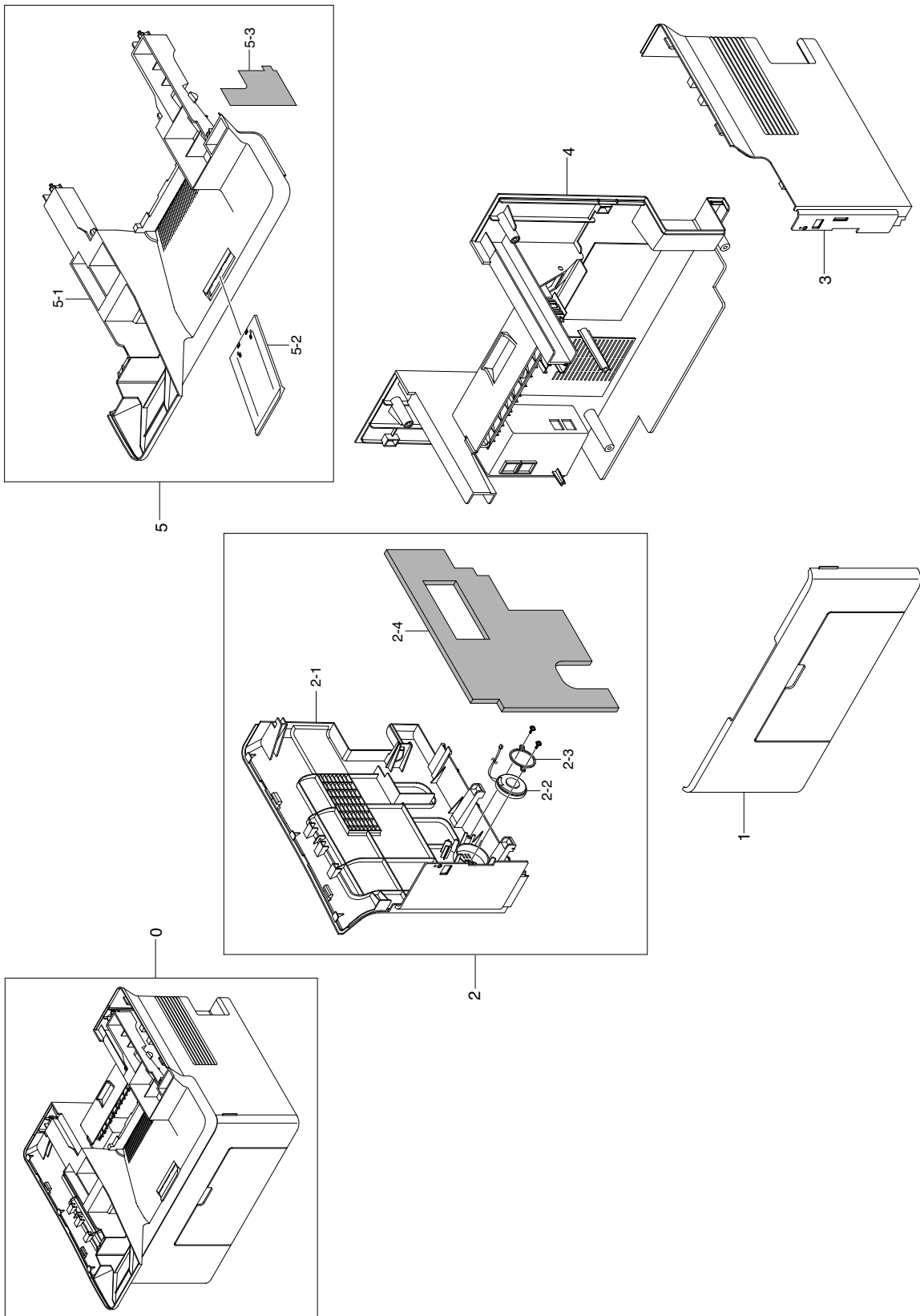


Main Parts List

SA : SERVICE AVAILABLE, SNA : SERVICE not AVAILABLE

Drawer#	SEC_Code	Description	QT'y	Service	Remark
5.1-0	SCX-4725FN	MONO LASER MFP,24PPM,N/W,FAX		-	
5.1-1	JC96-04230A	ELA HOU-FRAME_LOWER	1	SA	
5.1-2	JC96-04065A	ELA UNIT-LSU	1	SA	
5.1-3	JC39-00642A	HARNESS-LSU	1	SA	
5.1-4	-	TONER CARTRIDGE	1	SNA	
5.1-5	JC96-04231A	ELA HOU-FUSER	1	SA	AC 220V
5.1-5	JC96-04229A	ELA HOU-FUSER	1	SA	AC 110V
5.1-6	JC63-01190A	SHIELD-ENGINE	1	SNA	
5.1-7	JC63-00631A	GROUND-P-HVPS	2	SNA	
5.1-8	JC44-00134A	SMPS-V2C	1	SA	AC 220V
5.1-8	JC44-00133A	SMPS-V1	1	SA	AC 110V
5.1-9	JC92-01793B	PBASUB-LIU	1	SA	
5.1-10	JC39-00641A	HARNESS-LIU	1	SA	
5.1-11	6103-000117	SUPPORTER	1	SNA	
5.1-12	6502-001093	CABLE CLAMP	2	SA	
5.1-13	6502-000132	CABLE CLAMP	1	SNA	
5.1-14	3103-001085	FAN-DC	1	SA	
5.1-15	JC39-00228A	CBF HARNESS-GND	1	SNA	
5.1-16	JC96-01672A	ELA UNIT-TERMINAL TR L	3	SA	
5.1-16-1	JC70-40912A	ICT-SHAFT HV LARGE	1	SA	
5.1-16-2	JC61-00031A	SPRING ETC--HV LARGE	1	SA	
5.1-18	JC44-00132A	HVPS	1	SA	
5.1-19	JC63-00722A	SHEET-HVPS	1	SA	
5.1-20	JC63-01191A	SHIELD-PBA	1	SNA	
5.1-21	JC92-01855A	PBA-MAIN	1	SNA	SCX-4725FN
5.1-21	JC92-01856A	PBA-MAIN	1	SNA	SCX-4725F
5.1-22	JC39-00045A	CBF HARNESS-THERMISTOR	1	SA	
5.1-23	JC39-00644A	HARNESS-SENSOR_JOINT	1	SA	
5.1-24	JC96-04216A	ELA HOU-COVER	1	SNA	SCX-4725FN
5.1-25	JC97-02239C	MEA UNIT-MP TRAY	1	SA	
5.1-26	JC96-04237E	ELAHOU-SCAN	1	SNA	
5.1-26-1	JC67-00087A	CAP-M-HINGE	2	SA	
5.1-27	JC63-01204A	COVER-PAPER	1	SNA	
5.1-28	3903-000067	CBF-POWER CORD	1	SA	AC 220V
5.1-28	3903-000085	CBF-POWER CORD	1	SA	AC 110V
5.1-29	JG61-40001A	FOOT-SF4000	2	SA	

5.2 Cover Housing

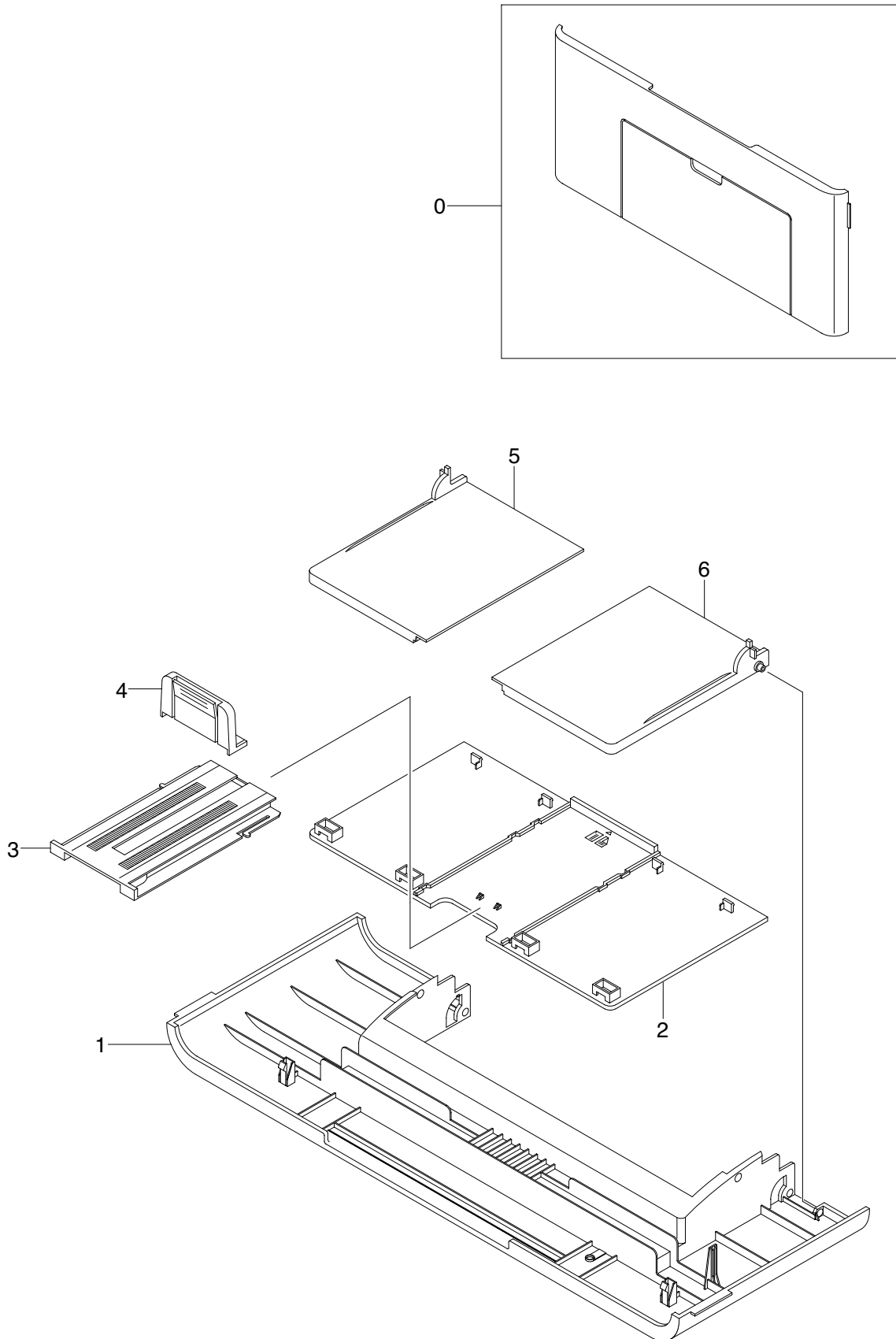


Cover Housing Parts List

SA : SERVICE AVAILABLE, SNA : SERVICE not AVAILABLE

Drawer#	SEC_Code	Description	QT'y	Service	Remark
5.2-0	JC96-04216A	ELA HOU-COVER	1	SNA	
5.2-1	JC97-02784A	MEA-COVER_FRONT	1	SA	
5.2-2	JC96-04220A	ELA HOU-COVER SIDE L	1	SNA	
5.2-2-1	JC63-01176A	COVER-SIDE_L	1	SNA	
5.2-2-2	3001-001494	SPEAKER	1	SA	
5.2-2-3	GB70-10500A	IPR-UNIT FIXING BRAC	1	SNA	
5.2-2-4	JC72-01382A	SPONGE-COVER SIDE L	1	SNA	
5.2-3	JC63-01177A	COVER-SIDE_R	1	SNA	
5.2-4	JC96-04219A	ELA HOU-COVER REAR	1	SNA	
5.2-5	JC97-02785A	MEA-COVER_MIDDLE	1	SA	
5.2-5-1	JC63-01180A	COVER-MIDDLE	1	SNA	
5.2-5-2	JC72-01351C	PMO-STACKER	1	SA	
5.2-5-3	JC63-01250A	SHEET-FAN	1	SNA	

5.3 Front Cover

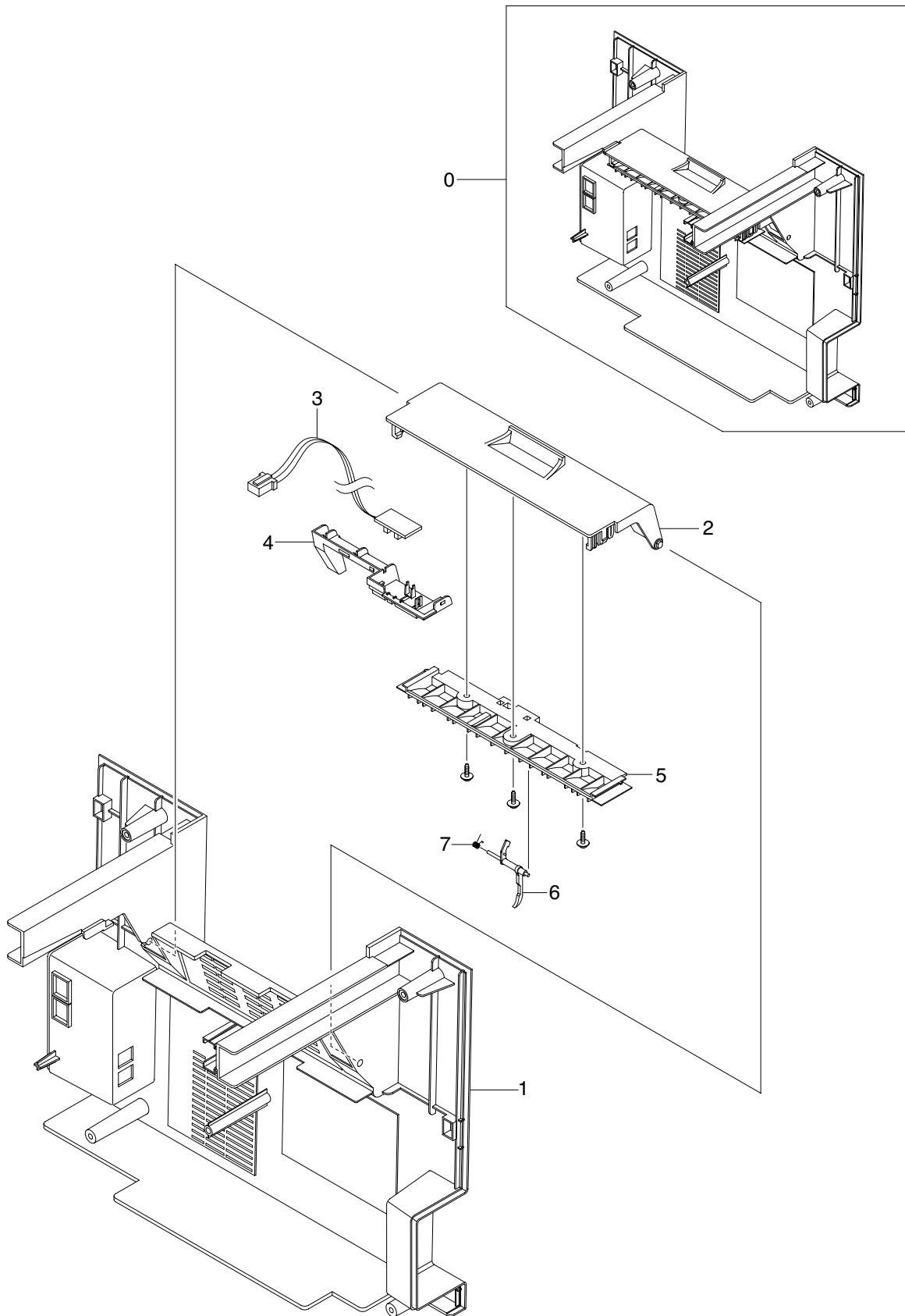


Front Cover Parts List

SA : SERVICE AVAILABLE, SNA : SERVICE not AVAILABLE

Drawer#	SEC_Code	Description	QT'y	Service	Remark
5.3-0	JC97-02784A	MEA-COVER_FRONT	1	SA	
5.3-1	JC63-01179A	COVER-FRONT	1	SNA	
5.3-2	JC63-01188A	TRAY-CASSETTE_LOWER	1	SNA	
5.3-3	JC63-00628D	TRAY-EXTENSION_L	1	SNA	
5.3-4	JC63-01112A	TRAY-M_EXTENSION S	1	SNA	
5.3-5	JC63-01203A	TRAY-CASSETTE_R	1	SNA	
5.3-6	JC63-01189A	TRAY-CASSETTE_L	1	SNA	

5.4 Rear Cover

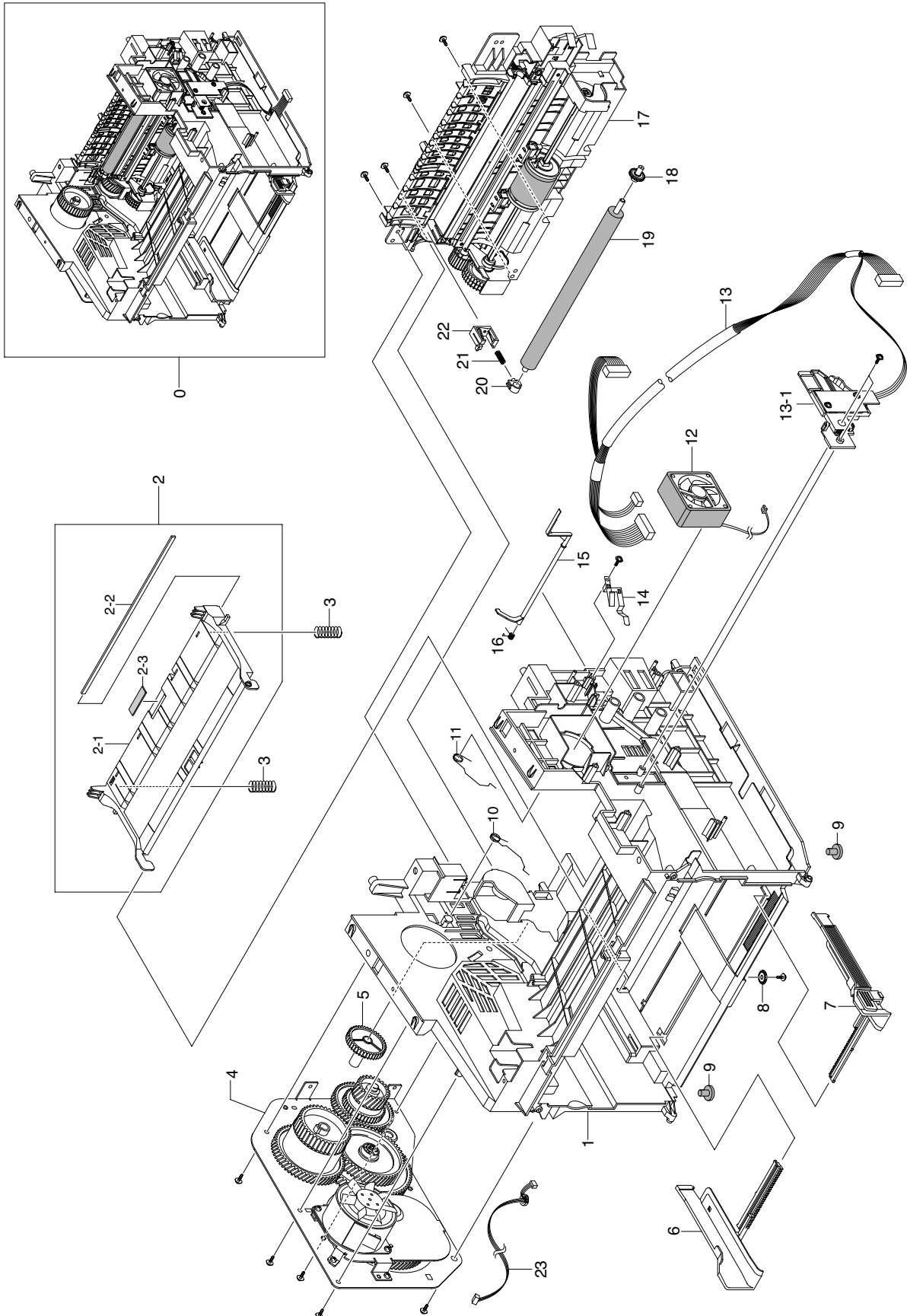


Rear Cover Parts List

SA : SERVICE AVAILABLE, SNA : SERVICE not AVAILABLE

Drawer#	SEC_Code	Description	QT'y	Service	Remark
5.4-0	JC96-04219A	ELA HOU-COVER REAR	1	SNA	
5.4-1	JC63-01178A	COVER-REAR	1	SNA	
5.4-2	JC63-01192A	COVER-JAM	1	SNA	
5.4-3	JC92-01858A	PBA SUB-SENSOR	1	SA	
5.4-4	JC67-00202A	CAP-JAM	1	SNA	
5.4-5	JC63-01194A	COVER-FUSER_REAR	1	SNA	
5.4-6	JC66-01304A	ACTUATOR-EXIT	1	SNA	
5.4-7	JB61-00107A	SPRING ETC-LEVER SENSOR	1	SA	

5.5 Frame Ass'y

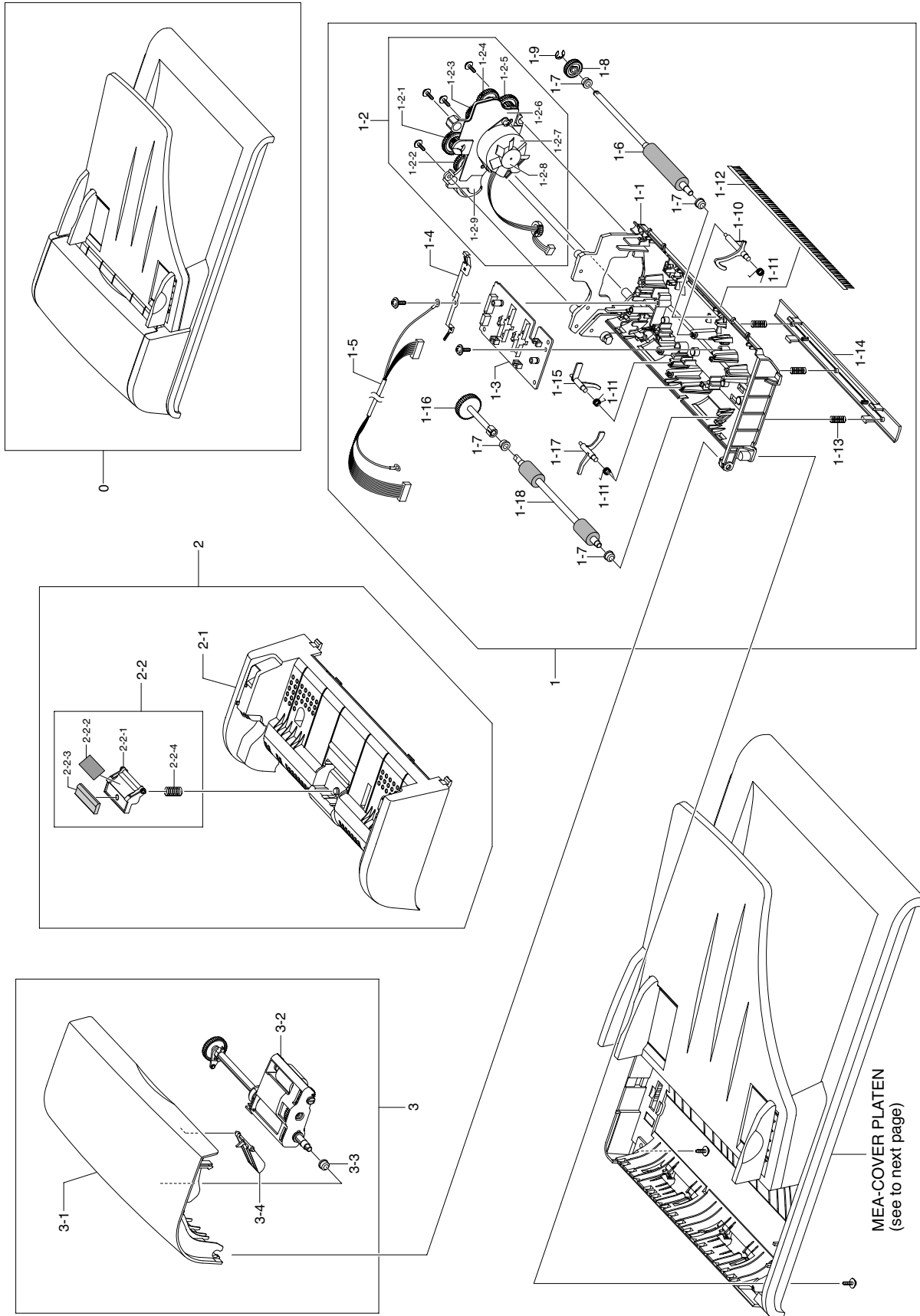


Frame Ass'y Parts List

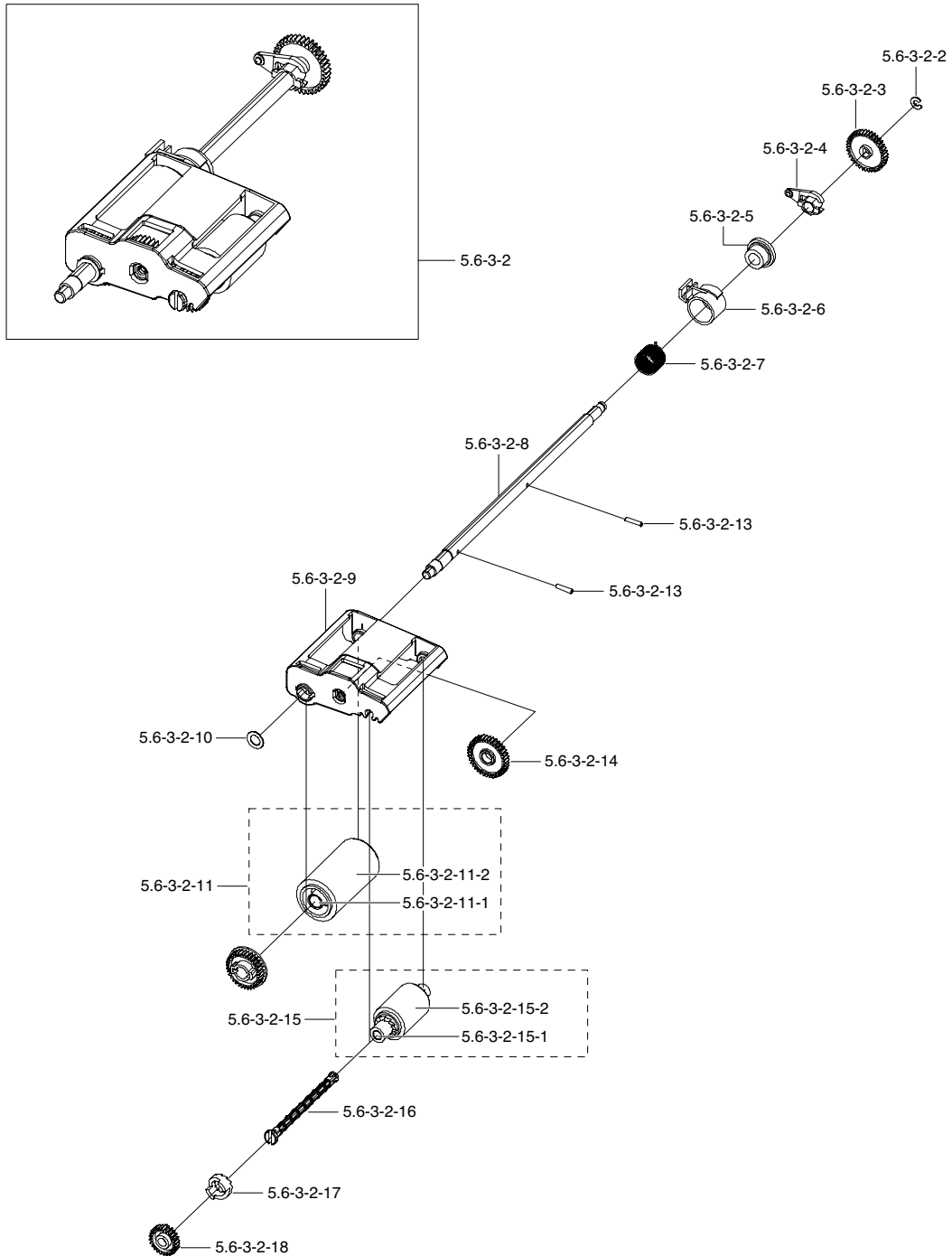
SA : SERVICE AVAILABLE, SNA : SERVICE not AVAILABLE

Drawer#	SEC_Code	Description	QT'y	Service	Remark
5.5-0	JC96-04230A	ELA HOU-FRAME_LOWER	1	SA	
5.5-1	JC61-01703A	FRAME-M_BASE	1	SNA	
5.5-2	JC97-02670A	MEA UNIT-KNOCK_UP	1	SA	
5.5-2-1	JC61-01709A	PLATE-KNOCK_UP	1	SA	
5.5-2-2	JC66-00720A	SHAFT-P-CORE	1	SA	
5.5-2-3	JC74-00011A	MPR-PAD KNOCK UP MP	1	SA	
5.5-3	6107-001297	SPRING-CS	2	SA	
5.5-4	JC96-04033A	ELA UNIT-RX DRIVE	1	SA	
5.5-5	JC66-00808A	GEAR-FEED DR 41	1	SA	
5.5-6	JC70-00527A	ADJUST-CASSETTE_L	1	SA	
5.5-7	JC70-00528A	ADJUST-CASSETTE_R	1	SA	
5.5-8	JG66-40003A	GEAR-PINION	1	SA	
5.5-9	JC61-00836A	FOOT-FRONT	2	SA	
5.5-10	JC61-01258A	SPRING ETC-TORSION DEVE_L	1	SA	
5.5-11	JC61-01259A	SPRING ETC-TORSION DEVE_R	1	SA	
5.5-12	JC31-00027A	FAN-DC_HUMMINGBIRD	1	SA	
5.5-13	JC96-03797A	ELA HOU-CRUM	1	SNA	
5.5-13-1	JC92-01763A	PBA SUB-CRUM_P	1	SA	
5.5-14	JC63-00622A	GROUND-P-OPC	1	SA	
5.5-15	JC66-01257A	ACTUATOR-EMPTY	1	SA	
5.5-16	JB61-00076A	SPRING ETC-TORSION DOC (CC2-F)	1	SA	
5.5-17	JC97-02664A	MEA UNIT-PAPER PATH	1	SA	
5.5-18	JC66-00813A	GEAR-TRANSFER	1	SA	
5.5-19	JC66-01218A	ROLLER-TRANSFER	1	SA	
5.5-20	JC72-41142A	PMO-BUSHING TR	1	SNA	
5.5-21	JC61-00047A	SPRING ETC-TR L HAWK	1	SA	
5.5-22	JC72-41145D	PMO-TRANSFER HOLDER L	1	SNA	
5.5-23	JC39-00480A	CBF HARNESS-MAINMOTOR	1	SA	

5.6 ADF Ass'y



5.6-3-2 ADF Ass'y Part (Additional)



ADF Ass'y Parts List

SA : SERVICE AVAILABLE, SNA : SERVICE not AVAILABLE

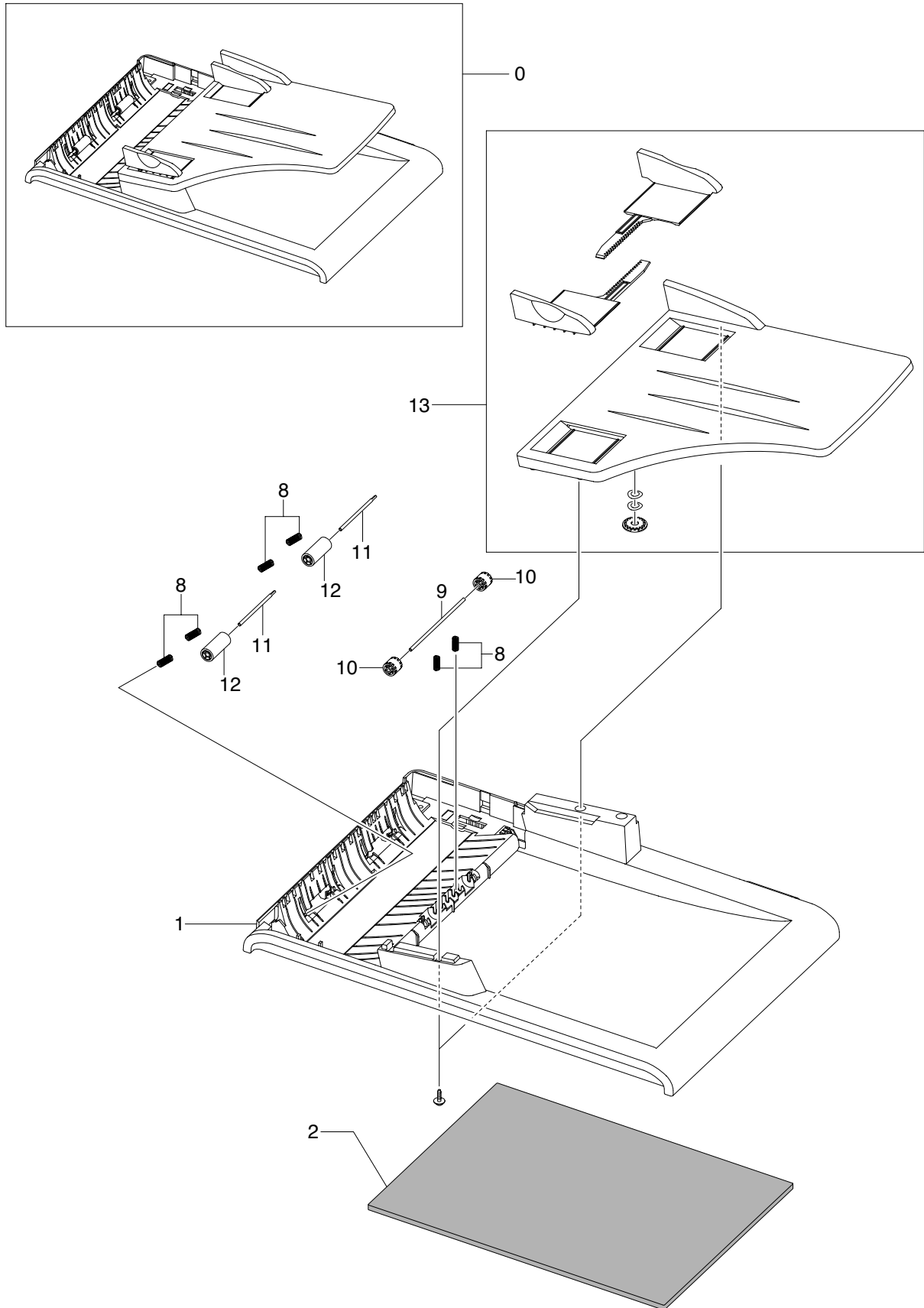
Drawer#	SEC_Code	Description	QT'y	Service	Remark
5.6-0	JC96-04232A	ELA HOU-ADF	1	SA	
5.6-1	JC96-04233A	ELA HOU-ADF LOWER	1	SA	
5.6-1-1	JC63-00656C	COVER-ADF LOWER	1	SA	
5.6-1-2	JC96-03379A	ELA HOU-ADF MOTOR	1	SA	
5.6-1-2-1	JC66-00458A	GEAR-IDLE 35 ADF	3	SA	
5.6-1-2-2	JC66-00322A	GEAR-CLUTCH 39	1	SA	
5.6-1-2-3	JC66-00457A	GEAR-SWING 31/20 ADF	1	SA	
5.6-1-2-4	JC66-00455A	GEAR-58/25 ADF	1	SA	
5.6-1-2-5	JC66-00456A	GEAR-40/21 ADF	2	SA	
5.6-1-2-6	JC61-01180A	BRACKET-P-MOTOR	1	SA	
5.6-1-2-7	JC31-00036A	MOTOR STEP-ADF	1	SA	
5.6-1-2-8	JC66-00556A	IMPELLER-ADF	1	SA	
5.6-1-2-9	JC61-01178A	BRACKET-M-GEAR	1	SA	
5.6-1-3	JC92-01618A	PBA SUB-ADF	1	SA	
5.6-1-4	JC63-00667A	GROUND-P-ADF	1	SA	
5.6-1-5	JC39-00407A	CBF HARNESS-ADF	1	SA	
5.6-1-6	JC66-00560A	ROLLER-DRIVE	1	SA	
5.6-1-7	JB72-00819A	PMO-BUSH	4	SA	
5.6-1-8	JC66-00460A	SHAFT-M-FEED GEAR 38	1	SA	
5.6-1-9	6044-000159	RING-C	1	SA	
5.6-1-10	JC72-01011A	PMO-ACTUATOR SCAN SENSOR	1	SA	
5.6-1-11	6107-001135	SPRING-CS	3	SA	
5.6-1-12	JC75-00095A	MEC-BRUSH ANTISTATIC	1	SA	
5.6-1-13	JB61-00076A	SPRING ETC-TORSION DOC (CC2-F)	3	SA	
5.6-1-14	JC61-01179A	PLATE-M_WHITE BAR	1	SA	
5.6-1-15	JC72-01009A	PMO-ACTUATOR DOC SENSOR	1	SA	
5.6-1-16	JB66-00101A	GEAR-CLUTCH 29	1	SA	
5.6-1-17	JC72-01010A	PMO-ACTUATOR REGI SENSOR	1	SA	
5.6-1-18	JC66-00559A	ROLLER-EXIT	1	SA	
5.6-2	JC97-02804A	MEA UNIT-ADF UPPER	1	SA	
5.6-2-1	JC63-00657C	COVER-ADF UPPER	1	SA	
5.6-2-2	JC97-01709A	MEA UNIT-HOLDER ADF	1	SA	
5.6-2-2-1	JC61-00694A	HOLDER-M-ADF	1	SA	
5.6-2-2-2	JC63-00243A	SHEET-ADF HOLDER	1	SA	
5.6-2-2-3	JB73-00052A	RMO-ADF RUBBER	1	SA	
5.6-2-2-4	JC61-00387A	SPRING ETC-PAD	1	SA	
5.6-2-3	JC61-00712A	GUIDE-STACKER SUB	2	SA	
5.6-2-4	JC66-00594A	SHAFT-STACKER	2	SA	
5.6-3	JC97-02801A	MEA UNIT-COVER OPEN	1	SA	
5.6-3-1	JC63-00658C	COVER-ADF OPEN	1	SA	
5.6-3-2	JC97-02203A	MEA UNIT-PICKUP	1	SA	
5.6-3-2-2	6044-000159	RING-C	1	SA	
5.6-3-2-3	JB66-00103A	GEAR-ADF 38	1	SA	

ADF Ass'y Parts List

SA : SERVICE AVAILABLE, SNA : SERVICE not AVAILABLE

Drawer#	SEC_Code	Description	QT'y	Service	Remark
5.6-3-2-4	JC72-41191A	PMO-BEARING SHAFT	1	SA	
5.6-3-2-5	JB72-00817A	PMO-ADF CLUTCH	1	SA	
5.6-3-2-6	JB72-00821A	PMO-ADF COLAR	1	SA	
5.6-3-2-7	JB61-70904A	SPRING ETC-CLUTCH	1	SA	
5.6-3-2-8	JC66-00839A	SHAFT-M-ADF	1	SNA	
5.6-3-2-9	JC72-00734A	PMO-COVER ADF	1	SA	
5.6-3-2-10	6031-000023	WASHER-PLAIN	1	SA	
5.6-3-2-11	JB75-00299A	MEC-ADF ROLLER ASSY	1	SA	
5.6-3-2-11-1	JB72-00822A	PMO-SLEEVE ADF	1	SA	
5.6-3-2-11-2	JB73-00054A	RMO-ADF ROLLER	1	SNA	
5.6-3-2-12	JB66-00104A	GEAR-ADF IDLE 34	1	SA	
5.6-3-2-13	JB70-00168A	ICT-PIN ADF	2	SA	
5.6-3-2-14	JB66-00102A	GEAR-PICK UP IDEL 38	1	SA	
5.6-3-2-15	JB75-00300A	MEC-PICK UP ROLLER ASSY	1	SA	
5.6-3-2-15-1	JB72-00823A	PMO-SLEEVE PICK UP	1	SA	
5.6-3-2-15-2	JB73-00055A	RMO-PICKUP ROLLER	1	SNA	
5.6-3-2-16	JC72-00744A	PMO-SHAFT PICK UP	1	SA	
5.6-3-2-17	JB72-00845A	PMO-PICK UP CLUTCH SUB	2	SA	
5.6-3-2-18	JB66-00105A	GEAR-PICK UP 26	1	SA	
5.6-3-3	JB72-00819A	PMO-BUSH	1	SA	
5.6-3-4	JB72-00843A	PMO-GUIDE PAPER	1	SA	

5.7 Platen Cover Ass'y

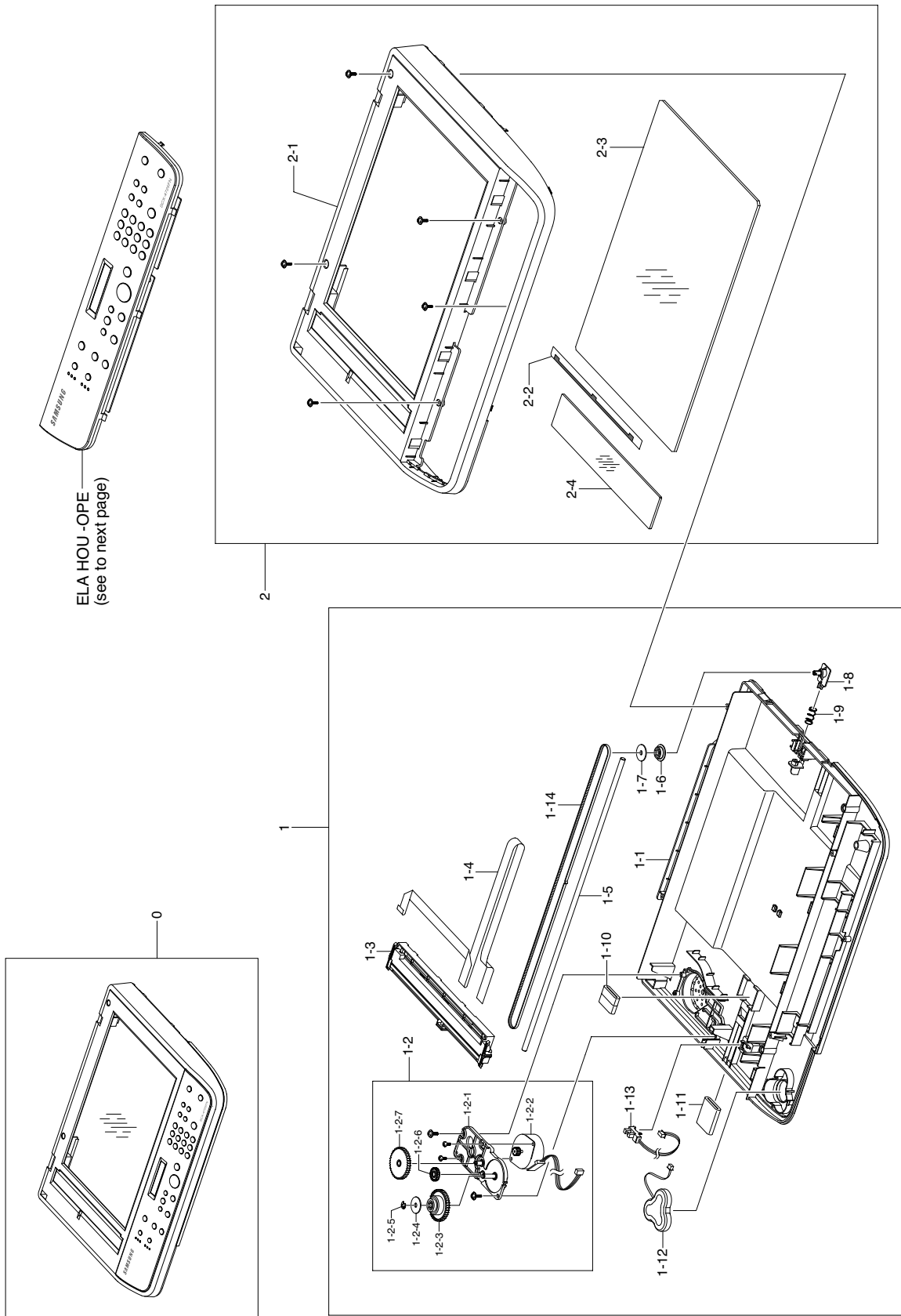


Platen Cover Ass'y Parts List

SA : SERVICE AVAILABLE, SNA : SERVICE not AVAILABLE

Drawer#	SEC_Code	Description	QT'y	Service	Remark
5.7-0	JC97-02802A	MEA UNIT-COVER PLATEN	1	SA	
5.7-1	JC63-00659C	COVER-PLATEN	1	SA	
5.7-2	JC63-00209A	SHEET-WHITE SPONGE	1	SA	
5.7-3	JB72-01166D	PMO-TX STACKER	1	SA	
5.7-4	JC61-00833C	GUIDE-DOC_R	1	SA	
5.7-5	JC61-00834C	GUIDE-DOC_L	1	SA	
5.7-6	JF70-10616A	IPR-WASHER SPRING CU	2	SA	
5.7-7	JG66-40003A	GEAR-PINION	1	SA	
5.7-8	JC61-00011A	SPRING ETC-FEED	6	SA	
5.7-9	JF70-40521B	ICT-SHAFT PINCH	1	SA	
5.7-10	JG72-40663A	PMO-ROLL PINCH	2	SA	
5.7-11	JC66-00909A	SHAFT-IDLE FEED	2	SA	
5.7-12	JC73-00091A	RPR-ROLLER EXIT IDLE	2	SA	
5.7-13	JC97-02803A	MEA UNIT-TX STACKER	1	SA	

5.8 Platen Ass'y



Platen Ass'y Parts List

SA : SERVICE AVAILABLE, SNA : SERVICE not AVAILABLE

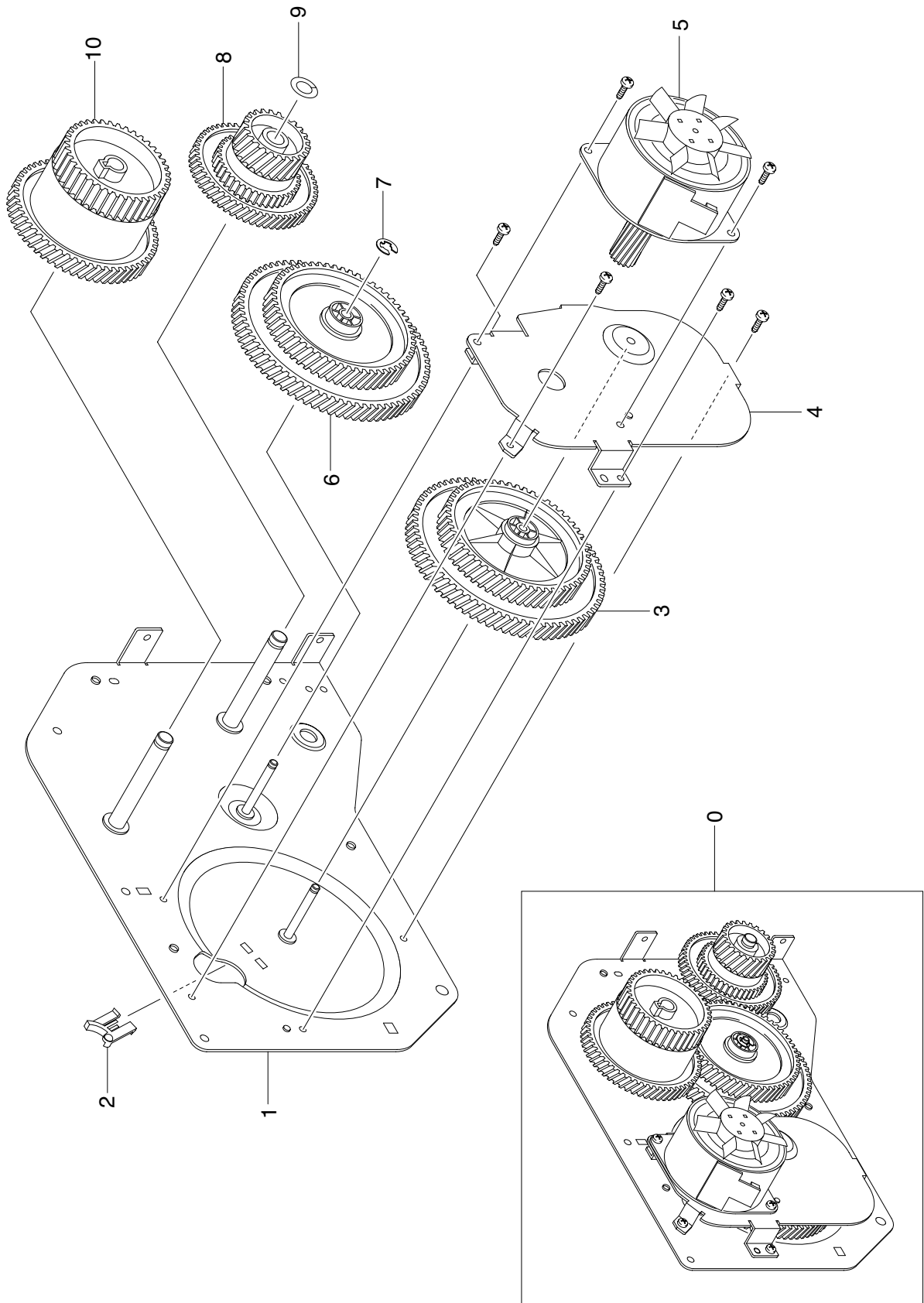
Drawer#	SEC_Code	Description	QT'y	Service	Remark
5.8-0	JC96-04235A	ELA HOU-PLATEN	1	SA	
5.8-1	JC96-04236A	ELA HOU-SCAN LOWER	1	SA	
5.8-1-1	JC63-00660B	COVER-SCAN LOWER	1	SA	
5.8-1-2	JC96-02655A	ELA HOU-SCAN MOTOR	1	SA	
5.8-1-2-1	JC61-00698A	BRACKET-M-SCAN MOTOR	1	SA	
5.8-1-2-2	JB31-00011A	MOTOR STEP-SCAN	1	SA	
5.8-1-2-3	JB66-00082A	GEAR-TIMING	1	SA	
5.8-1-2-4	JB72-00764A	PMO-HOLDER BELT	1	SA	
5.8-1-2-5	6044-000125	RING-E	1	SC	
5.8-1-2-6	JB66-00083A	GEAR-IDLE	1	SA	
5.8-1-2-7	JB66-00084A	GEAR-REDUCTION	1	SA	
5.8-1-3	0609-001223	CONTACT IMAGE SENSOR	1	SA	
5.8-1-4	JC39-00408A	CBF SIGNAL-CIS FFC	1	SA	
5.8-1-5	JC66-00838A	SHAFT-CIS	1	SA	
5.8-1-6	JB72-00764A	PMO-HOLDER BELT	1	SA	
5.8-1-7	JB72-01136A	PMO-HOLDER BELT	1	SA	
5.8-1-8	JB72-00763A	PMO-PULLEY	1	SA	
5.8-1-9	JB61-00109A	SPRING ETC-BELT	1	SA	
5.8-1-11	JB96-01381A	ELA UNIT-CORE	2	SA	
5.8-1-12	4302-001183	BATTERY-NIH(2ND)	1	SA	
5.8-1-13	JC96-02417A	ELA HOU-FULL SENSOR HARNESS	1	SA	
5.8-1-14	6602-001067	BELT-TIMING GEAR	1	SA	
5.8-2	JC97-02805A	MEA UNIT-SCAN UPPER	1	SA	
5.8-2-1	JC63-00661C	COVER-SCAN UPPER	1	SA	
5.8-2-2	JB68-00644A	LABEL(P)-SHADING	1	SA	
5.8-2-3	JB01-00002A	GLASS-PLATEN	1	SA	
5.8-2-4	JB01-00001A	GLASS-ADF	1	SA	

OPE Unit Parts List

SA : SERVICE AVAILABLE, SNA : SERVICE not AVAILABLE

Drawer#	SEC_Code	Description	QT'y	Service	Remark
5.9-0	JC96-04234E	ELAHOU-OPE	1	SA	SCX-4725FN
5.9-0	JC96-03381A	ELA HOU-OPE	1	SA	SCX-4725F
5.9-1	JC63-01213E	COVER-OPE	1	SA	SCX-4725FN
5.9-1	JC63-00662A	COVER-M-OPE	1	SA	SCX-4725F
5.9-2	JC73-00202A	RUBBER-TEL	1	SA	
5.9-3	JC73-00203A	RUBBER-SCROLL	1	SA	
5.9-4	JC92-01727A	PBA SUB-WHITNEY_OPE	1	SA	
5.9-5	JC64-00054F	KEY-COPY	1	SA	
5.9-6	JC63-00076A	COVER-WINDOW SF-530	1	SA	
5.9-7	JC64-00053G	KEY-TEL	1	SA	
5.9-8	JC64-00157D	KEY-SCAN TO	1	SA	
5.9-9	JC64-00058A	KEY-M-TONER SAVE	1	SA	
5.9-10	JC64-00187A	KEY-M-STOP	1	SA	
5.9-11	JC64-00114A	KEY-M_START	1	SA	
5.9-12	JC64-00060F	KEY-FAX	1	SA	
5.9-13	JC64-00056G	KEY-SCROLL	1	SA	
5.9-14	JC39-00412A	CBF HARNESS-OPE	1	SA	
5.9-15	JC64-00059E	KEY-RESOLUTION	1	SA	
5.9-16	JC72-00672A	PCT-LCD WINDOW	1	SNA	
5.9-17	JC39-00306A	CBF HARNESS-LCD	1	SNA	

5.10 RX Drive Unit

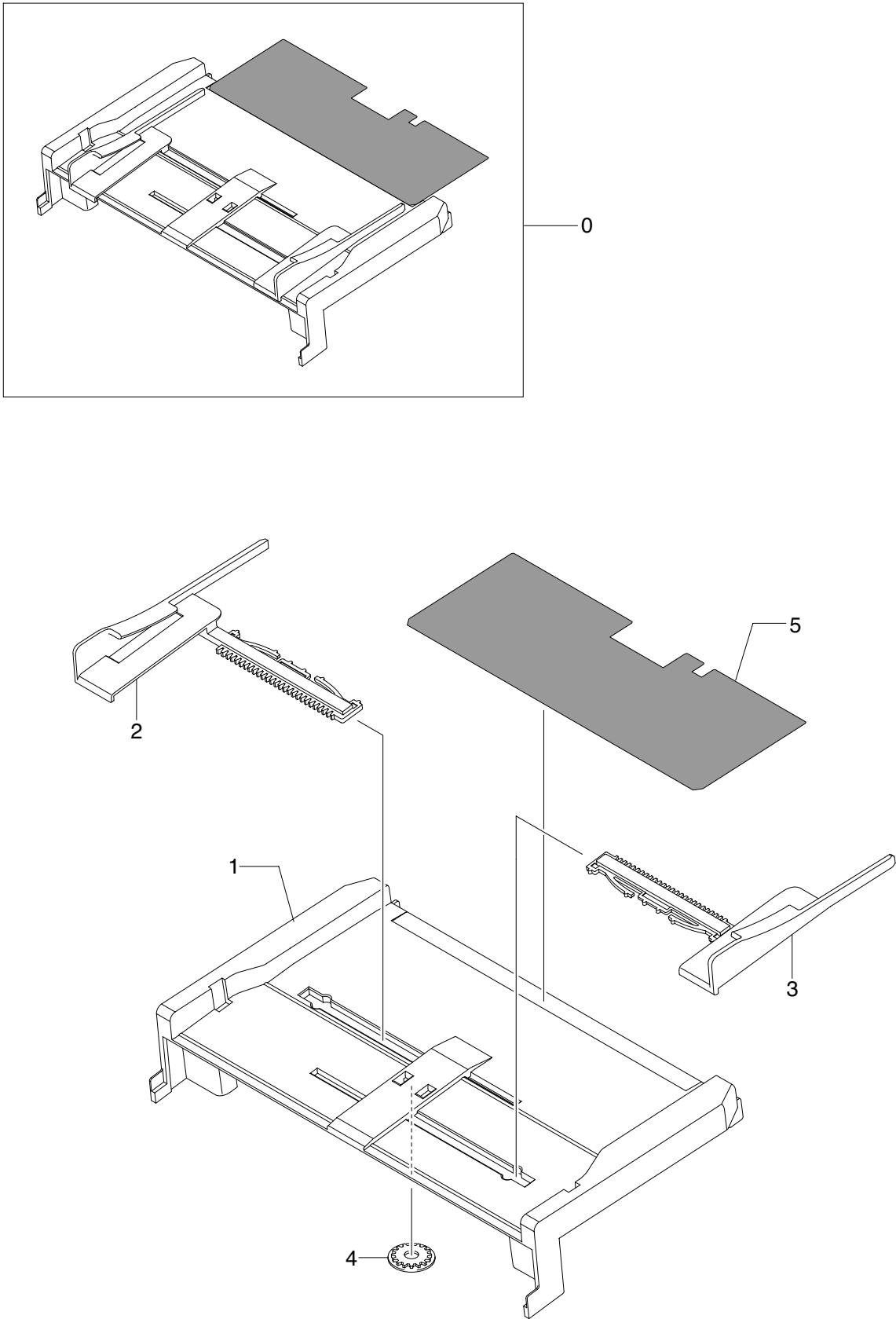


RX Drive Unit Parts List

SA : SERVICE AVAILABLE, SNA : SERVICE not AVAILABLE

Drawer#	SEC_Code	Description	QT'y	Service	Remark
5.10-0	JC96-04033A	ELA UNIT-RX DRIVE	1	SA	
5.10-1	JC61-01727A	BRACKET-P_GEAR	1	SNA	
5.10-2	JC60-00023A	SPACER-GEAR	1	SA	
5.10-3	JC66-00804A	GEAR-RDCN 139/83	1	SA	
5.10-4	JC61-01708A	BRACKET-P_MOTOR	1	SNA	
5.10-5	JC31-00068A	MOTOR STEP	1	SA	
5.10-6	JC66-00805A	GEAR-RDCN 113/83	1	SA	
5.10-7	6044-000159	RING-C	1	SA	
5.10-8	JC66-00806A	GEAR-OPC DR 76/38/29	1	SA	
5.10-9	6031-000023	WASHER-PLAIN	1	SNA	
5.10-10	JC66-01244A	GEAR-FUSER DRIVER	1	SA	
5.10-11	JC72-00825A	PMO-IMPELLER_DRV	1	SA	

5.11 MP Tray

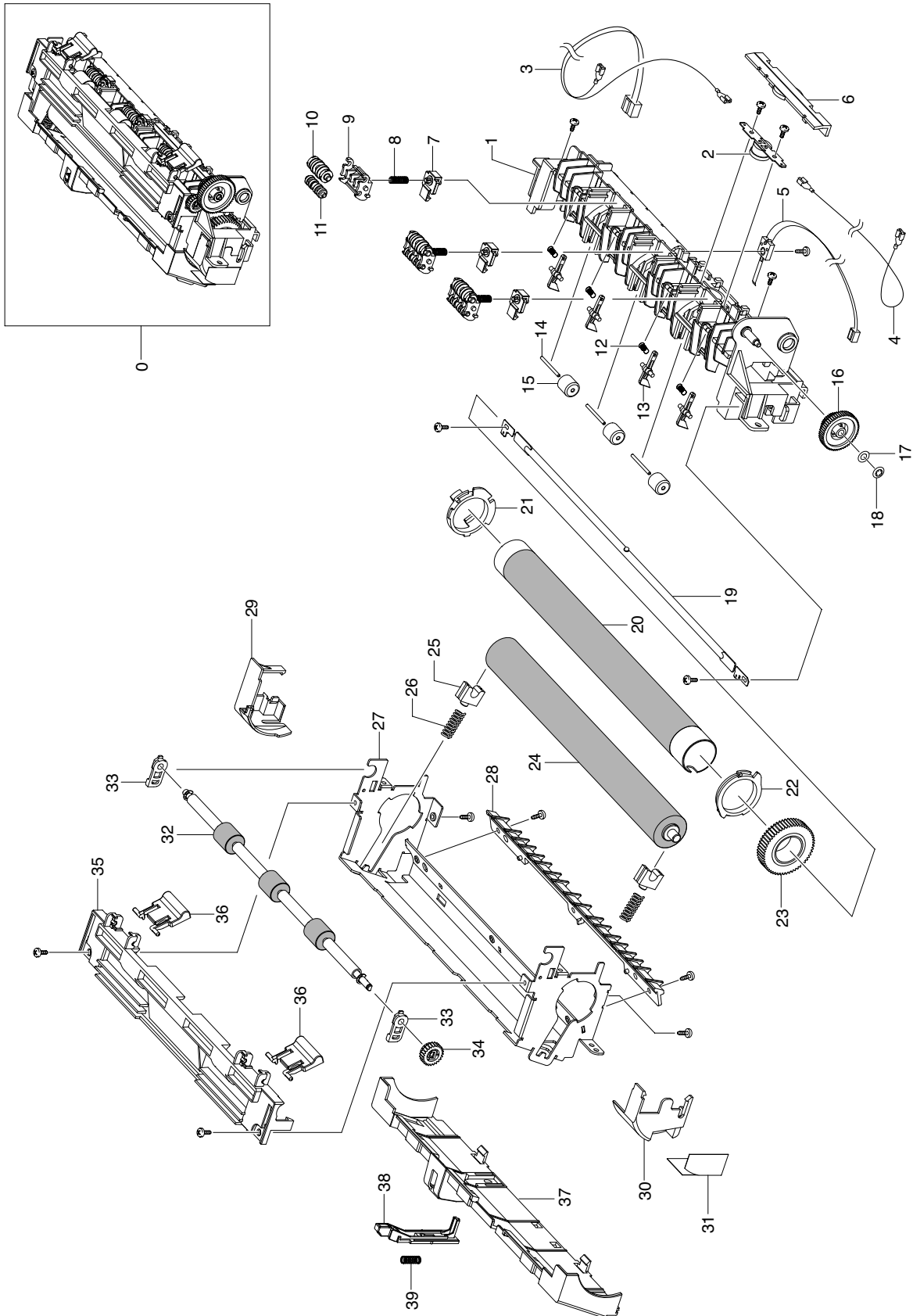


MP Tray Parts List

SA : SERVICE AVAILABLE, SNA : SERVICE not AVAILABLE

Drawer#	SEC_Code	Description	QT'y	Service	Remark
5.11-0	JC97-02239C	MEA UNIT-MP TRAY	1	SA	
5.11-1	JC61-01263C	PLATE-MP	1	SA	
5.11-2	JC70-00514C	ADJUST-MP L	1	SA	
5.11-3	JC70-00515C	ADJUST-MP R	1	SA	
5.11-4	JG66-40003A	GEAR-PINION	1	SA	
5.11-5	JC63-00711A	SHEET-MP	1	SA	

5.12 Fuser Unit

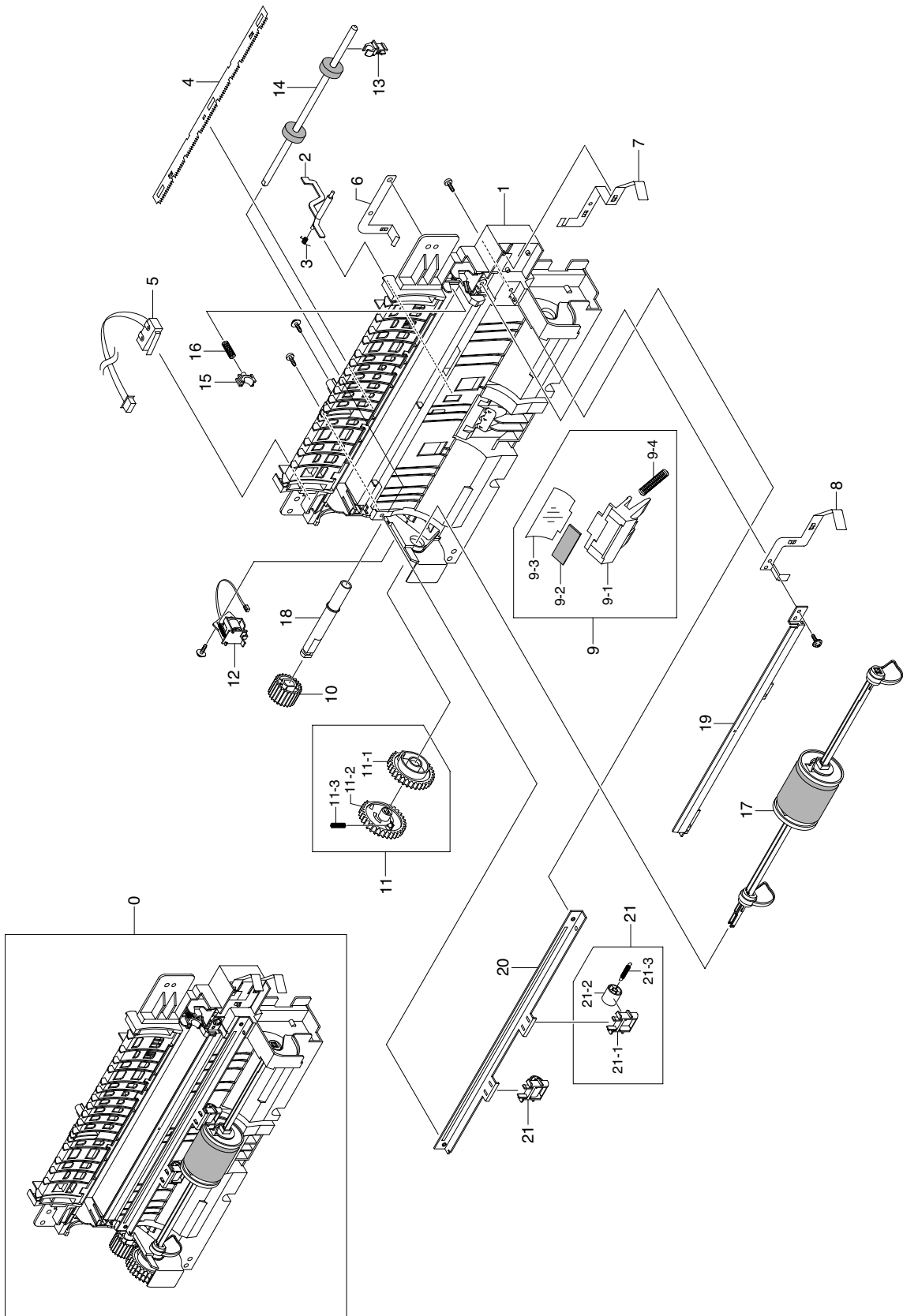


Fuser Unit Parts List

SA : SERVICE AVAILABLE, SNA : SERVICE not AVAILABLE

Drawer#	SEC_Code	Description	QT'y	Service	Remark
5.12-0	JC96-04231A	ELA HOU-FUSER	1	SA	AC 220V
5.12-0	JC96-04229A	ELA HOU-FUSER	1	SA	AC 110V
5.12-1	JC63-01126A	COVER-FUSER	1	SNA	
5.12-2	4712-001032	THERMOSTAT	1	SA	
5.12-3	JC39-00403B	CBF HARNESS-FUSER(220V)	1	SA	AC 220V
5.12-3	JC39-00403A	CBF HARNESS-FUSER(110V)	1	SA	AC 110V
7-12-4	JC39-00404A	CBF HARNESS-FUSER JOINT	1	SA	
5.12-5	1404-001397	THERMISTOR-NTC ASSY	1	SA	
5.12-6	JC67-00085A	CAP-M-THERMO	1	SNA	
5.12-7	JC61-01747A	HOLDER-SPRING	3	SA	
5.12-8	6107-001163	SPRING-CS	3	SA	
5.12-9	JC61-01172A	HOLDER-M-EXIT F/DOWN	3	SNA	
5.12-10	JC66-01311A	ROLLER-EXIT_MAIN	3	SNA	
5.12-11	JC66-00934A	ROLLER-M_EXIT FR	3	SNA	
5.12-12	6107-001291	SPRING-ES	4	SNA	
5.12-13	JC61-01721A	GUIDE-CLAW	4	SNA	
5.12-14	JC70-00064A	IPR-PIN ROLLER EXIT	3	SNA	
5.12-15	JC72-20902A	PEX-ROLLER F/UP(2)	3	SA	
5.12-16	JC66-00801A	GEAR-EXIT_DR38/25	1	SNA	
5.12-17	6031-001051	WASHER-PLAIN	1	SNA	
5.12-18	6044-000001	RING-CS	1	SNA	
5.12-19	4713-001212	LAMP-HALOGEN	1	SA	AC 220V
5.12-19	4713-001211	LAMP-HALOGEN	1	SA	AC 110V
5.12-20	JC66-01256A	ROLLER-HEAT	1	SA	
5.12-21	JC61-00887A	BUSH-M-HR R_R2	1	SA	
5.12-22	JC61-00888A	BUSH-M-HR L_R2	1	SA	
5.12-23	JC66-01254A	GEAR-FUSER	1	SA	
5.12-24	JC66-00600A	ROLLER-PRESSURE	1	SA	
5.12-25	JC66-10901B	BUSH-PRESSURE_ROLLER	2	SNA	
5.12-26	JC61-00056A	SPRING ETC-PR(7300)	2	SA	
5.12-27	JC61-01770A	FRAME-FUSER	1	SNA	
5.12-28	JC61-00595A	GUIDE-M-INPUT	1	SNA	
5.12-29	JC63-01129A	COVER-LAMP_R	1	SNA	
5.12-30	JC63-01130A	COVER-LAMP_L	1	SNA	
5.12-31	JC63-01245A	SHEET-FUSER	1	SNA	
5.12-32	JC66-01255A	ROLLER-EXIT F/DOWN	1	SA	
5.12-33	JC61-01719A	HOLDER-EXIT R	2	SA	
5.12-34	JC66-00810A	GEAR-EXIT_DRV17	1	SA	
5.12-35	JC63-01193A	COVER-FUSER_FRONT	1	SNA	
5.12-36	JC72-01001A	PMO-SUB STACKER	2	SA	
5.12-37	JC63-01195A	COVER-FUSER_SAFETY	1	SNA	
5.12-38	JC66-01303A	ACTUATOR-JAM	1	SNA	
5.12-39	JC61-00049A	SPRING ETC-TR(KOR)	1	SNA	
5.12-40	JC60-00024A	SPACER-FUSER	2	SA	

5.13 Paper Path Ass'y

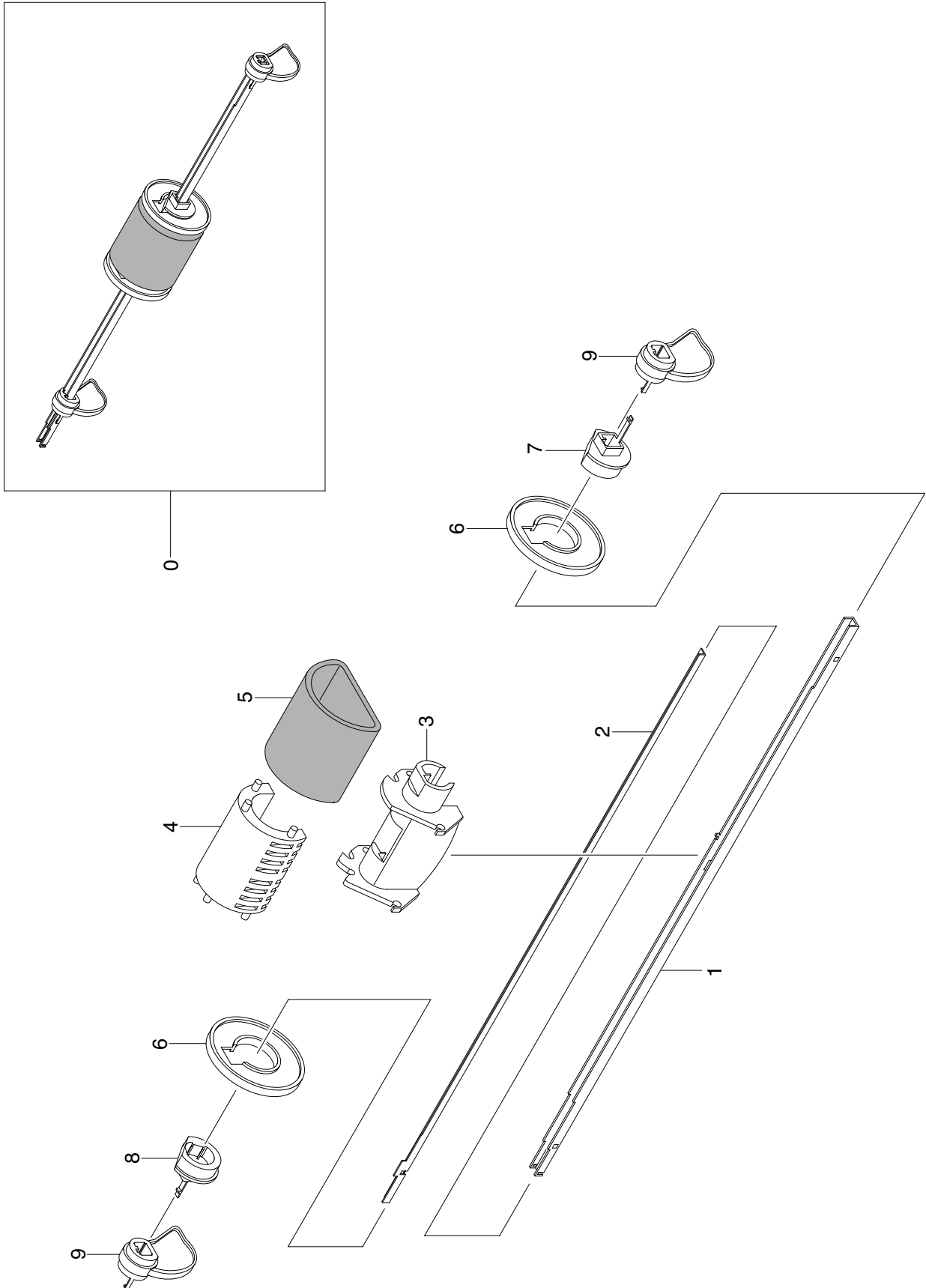


Paper Path Ass'y Parts List

SA : SERVICE AVAILABLE, SNA : SERVICE not AVAILABLE

Drawer#	SEC_Code	Description	QT'y	Service	Remark
5.13-0	JC97-02664A	MEA UNIT-PAPER PATH	1	SA	
5.13-1	JC61-01710A	GUIDE-PAPER PATH	1	SA	
5.13-2	JC66-01250A	ACTUATOR-FEED SENSOR	1	SA	
5.13-3	JB61-00107A	SPRING ETC-LEVER SENSOR	1	SA	
5.13-4	JC70-10232A	IPR-PLATE SAW	1	SA	
5.13-5	JC39-00482A	CBF HARNESS-MICRO SW	1	SA	
5.13-6	JC63-01125A	GROUND-P_SAW	1	SNA	
5.13-7	JC63-00623A	GROUND-P-THV	1	SNA	
5.13-8	JC63-00625A	GROUND-P-VARISTOR	1	SNA	
5.13-9	JC97-02669A	MEA UNIT-HOLDER_PAD	1	SA	
5.13-9-1	JC61-01711A	HOLDER-PAD	1	SA	
5.13-9-2	JC69-00987A	PAD-FRICTION	1	SA	
5.13-9-3	JC63-00290A	SHEET-HOLDER PAD	1	SA	
5.13-9-4	JC61-70911A	SPRING ETC-EXIT ROLL FD	1	SA	
5.13-10	JC66-01247A	GEAR-FEED	1	SA	
5.13-11	JC97-02665A	MEA UNIT-PICK UP GEAR	1	SA	
5.13-11-1	JC66-01245A	GEAR-PICK UP A	1	SA	
5.13-11-2	JC66-01246A	GEAR-PICK UP B	1	SA	
5.13-11-3	6107-001167	SPRING-CS	1	SA	
5.13-12	JC33-00015B	SOLENOID-MP_R2	1	SA	
5.13-13	JC72-00382B	PMO-BUSHING FEED	1	SA	
5.13-14	JC66-01251A	ROLLER-FEED	1	SA	
5.13-15	JC72-00102A	PMO-BUSHING_TR(L)	1	SA	
5.13-16	JC61-70940A	SPRING ETC-TR(12)	1	SA	
5.13-17	Not assign	PICK UP ASSY	1	SNA	
5.13-18	JC66-01252A	SHAFT-FEED	1	SA	
5.13-19	JC70-00307A	IPR-P-EARTH TRANSFER	1	SA	
5.13-24	JC61-01715A	PLATE-P_IDLE HOLDER	1	SA	
5.13-25-1	JC61-01718A	HOLDER-IDLE ROLLER	2	SA	
5.13-25-2	JC66-00529A	ROLLER-M-IDLE FEED	2	SA	
5.13-25-3	6107-001296	SPRING-ES	2	SA	

5.14 Pick UP Unit



Pick_Up Unit Parts List

SA : SERVICE AVAILABLE, SNA : SERVICE not AVAILABLE

Drawer#	SEC_Code	Description	QT'y	Service	Remark
5.14-0	Not assign	PICK UP ASSY	1	SNA	
5.14-1	JC66-00829A	SHAFT-P-PICK_UP	1	SA	
5.14-2	JC61-01281A	BRACKET-P-BAR_PICK_UP	1	SNA	
5.14-3	JC61-01717A	HOUSING-PICK UP B	1	SA	
5.14-4	JC61-01716A	HOUSING-PICK UP A	1	SA	
5.14-5	JC73-00239A	RUBBER-PICK_UP	1	SA	
5.14-6	JC66-01253A	ROLLER-PICK_UP IDLE	2	SA	
5.14-7	JC61-01713A	STOPPER-PICK_UP R	1	SA	
5.14-8	JC61-01714A	STOPPER-PICK_UP L	1	SA	
5.14-9	JC66-01258A	CAM-PICK_UP	2	SA	
Replacement	-	BOX-MAIN	1	SA	
Replacement	JC39-00007A	CBF LINE CORD-6P 3000MM E3115BLK	1	SA	
Replacement	JC39-00008A	CBF LINE CORD-6P 100MM BLK	1	SA	
Replacement	JF39-50094B	CBF LINE CORD	1	SA	