

8. Exploded Views and Parts List(ML-3561N/XAA)

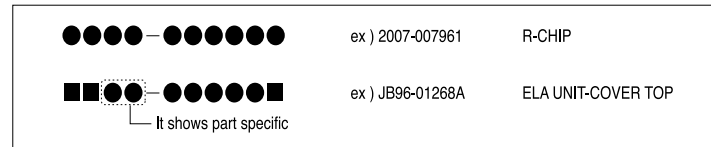
Contents

8.1	Main Assembly	p.8-2
8.2	Cover Assembly	p.8-3
8.3	Frame Assembly	p.8-4
8.4	Fuser Unit	p.8-6
8.5	REGI Assembly	p.8-7
8.6	Main Motor Assembly	p.8-8
8.7	Deve Motor Assembly	p.8-9
8.8	Exit Sorenoid Assembly	p.8-10
8.9	Cassette Assembly	p.8-11
8.10	SCF Unit	p.8-12
8.11	Duplex Unit	p.8-13

Part Number & Description format.

Part numbers and descriptions are defined according to a company standard. The information below will help you to understand the part number format and assist when ordering spare parts.

- There are two types of Part number format.



(● : number ■ : letter)

Type 1 : This format is used throughout Samsung on all product ranges.
Typically it is used for small components and electronic parts.

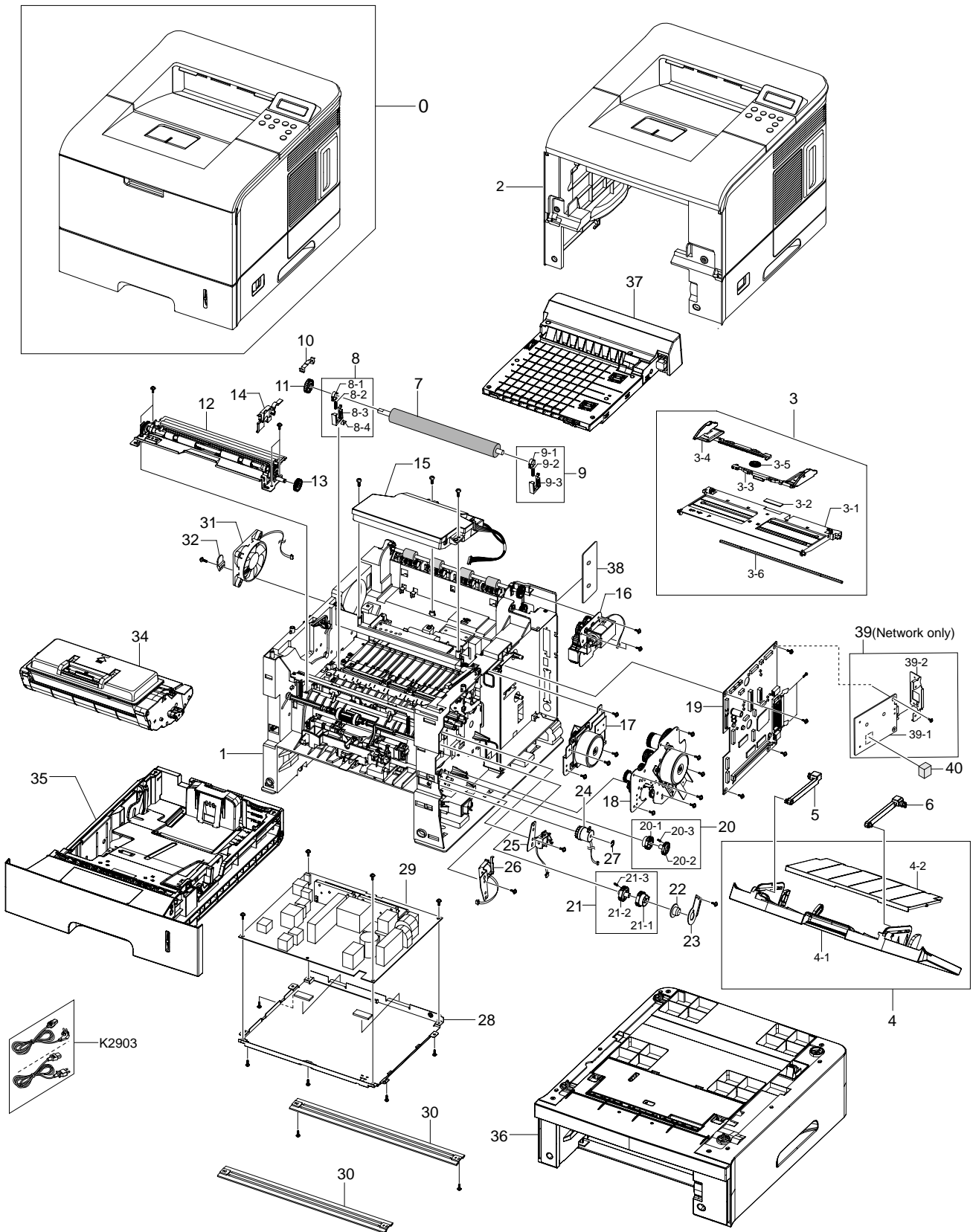
Type 2 : This format is controlled by individual Samsung Divisions and is used on specific products, typically for mechanical parts. Type 2 format part numbers fall into 2 categories:

- **A/S privately used part** : It is only used for A/S .
- **Ass'y part** : Assemblies consisting of 2 or more parts. Also used for Service manuals, user guides and diagrams.

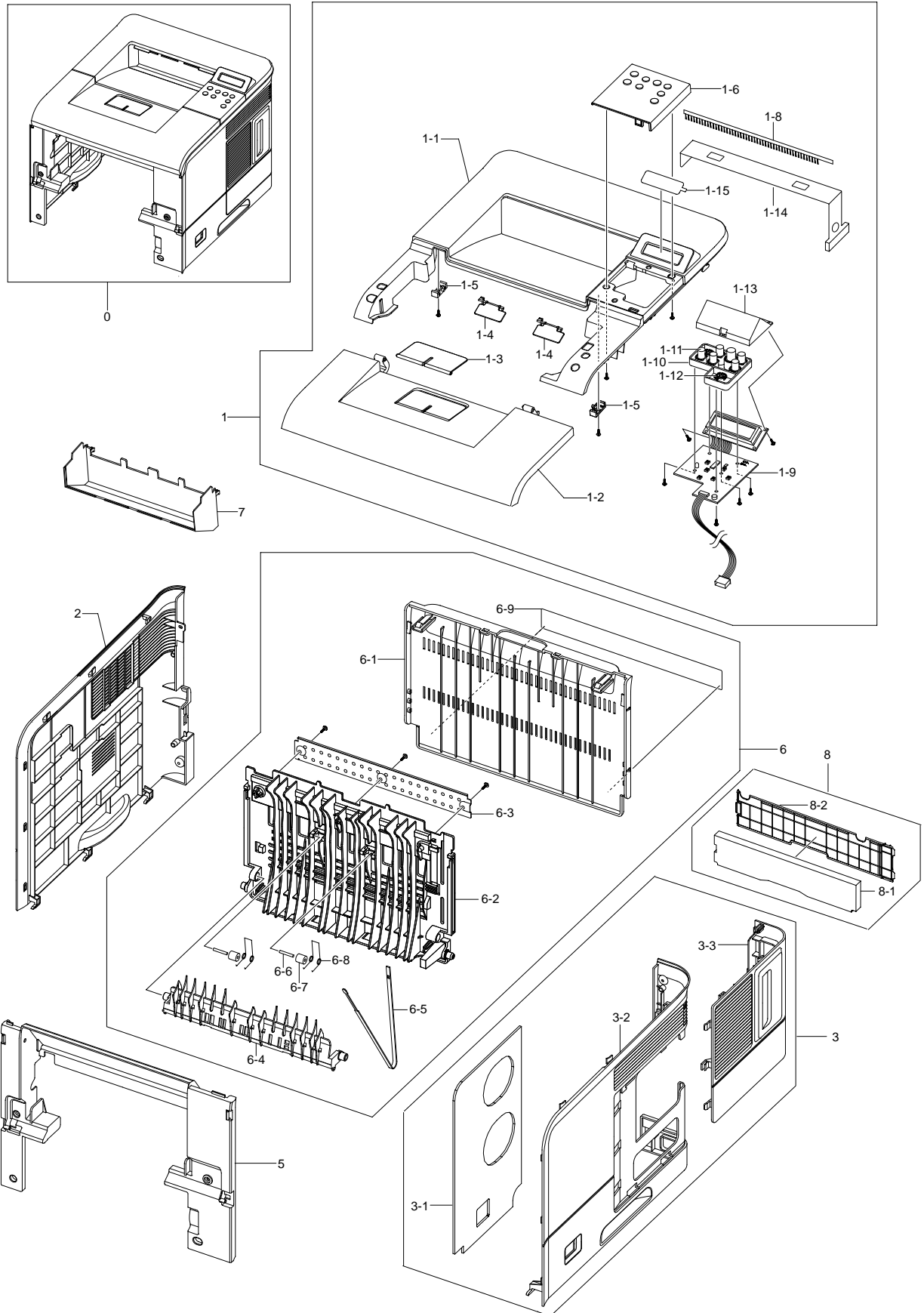
• Ass'y parts and A/S privately used Parts can be distinguished by the part Code and Description. They are always Type 2 format. The 2 leading characters indicate private or assembly parts.

DIVISION	PART CODE	DESCRIPTION
A/S Private	**81-***** (JB81-00039A)	AS-***** (AS-USE)
ASS'Y Part	**75-***** (JB75-00068A)	MEC-***** (MEC-CHUTE)
ASS'Y Part	**92-***** (JB92-01131A)	PBA ***** (PBA MAIN-CONTROLLER)
ASS'Y Part	**97-***** (JB97-01089A)	MEA ***** (MEA UNIT-PULLEY IDLE)

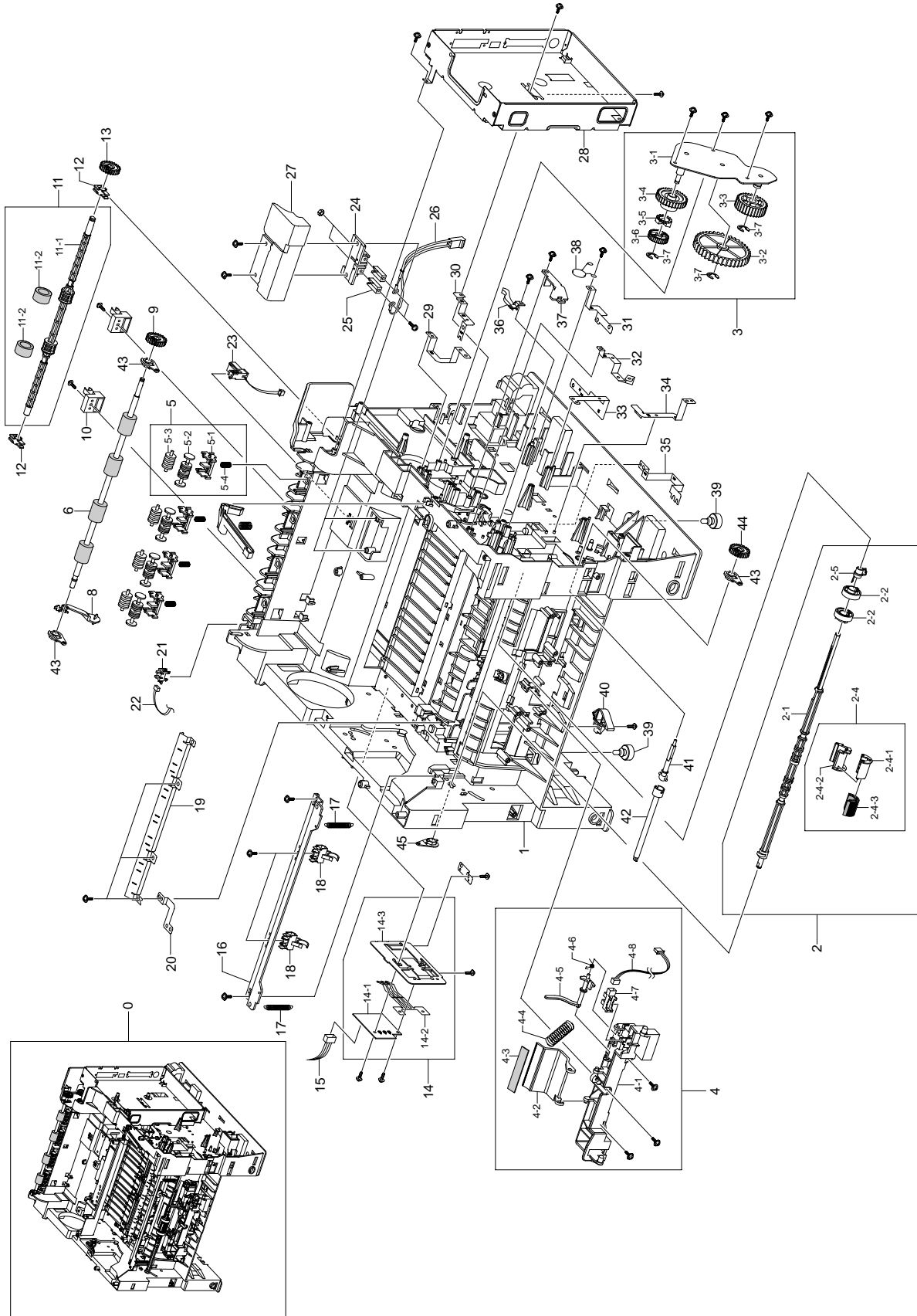
8.1 Main Assembly



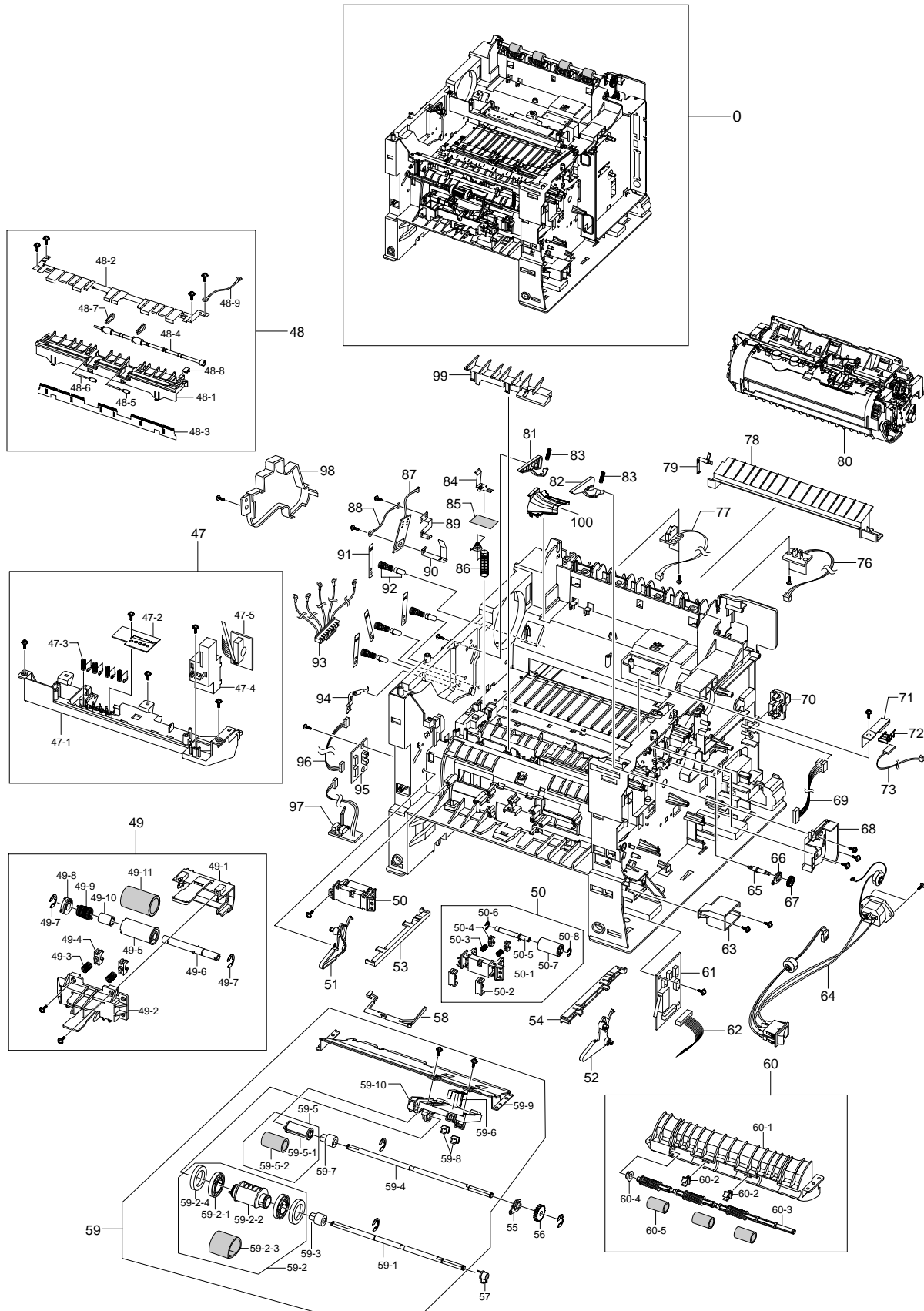
8.2 Cover Assembly



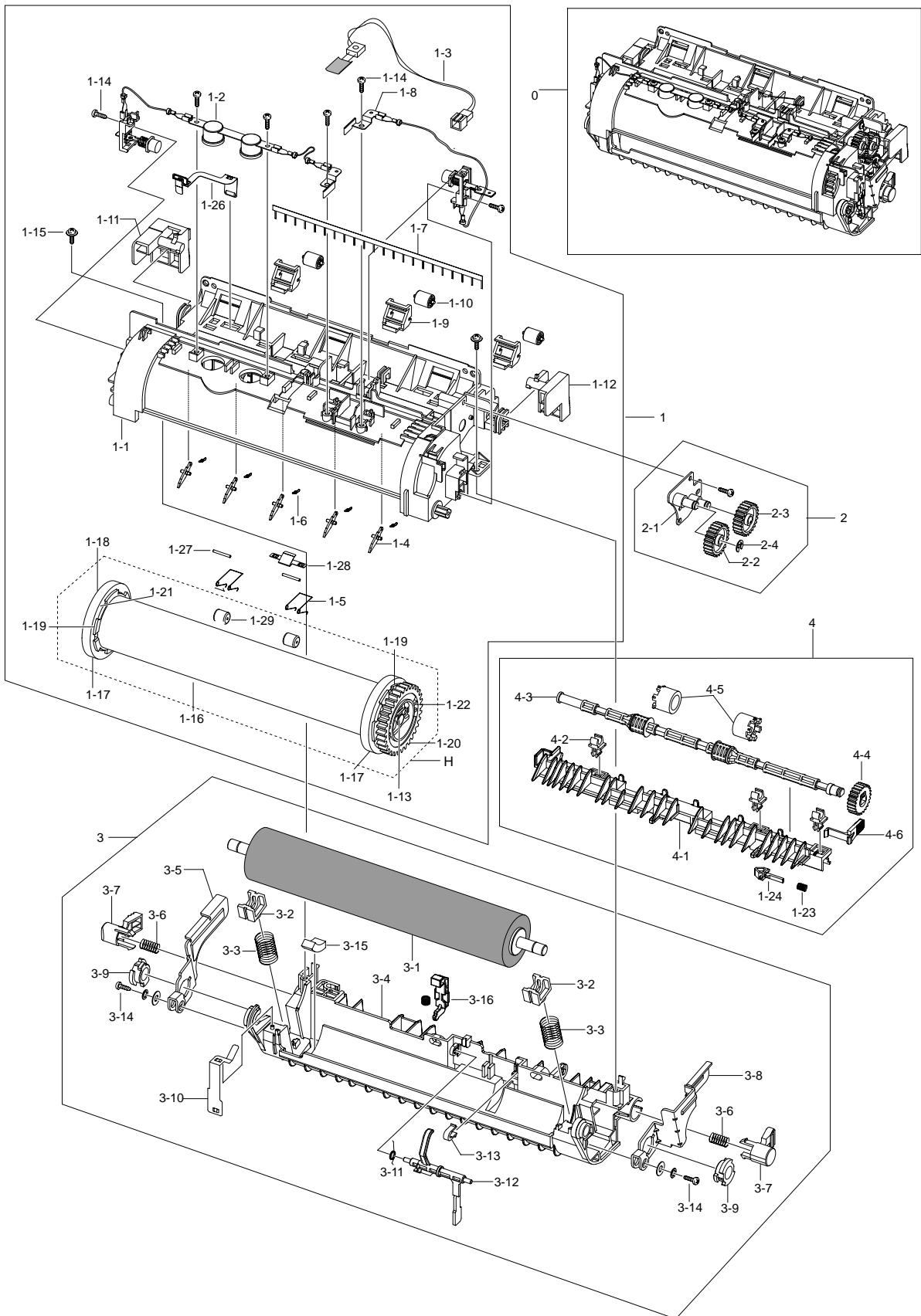
8.3 Frame Assembly(1/2)



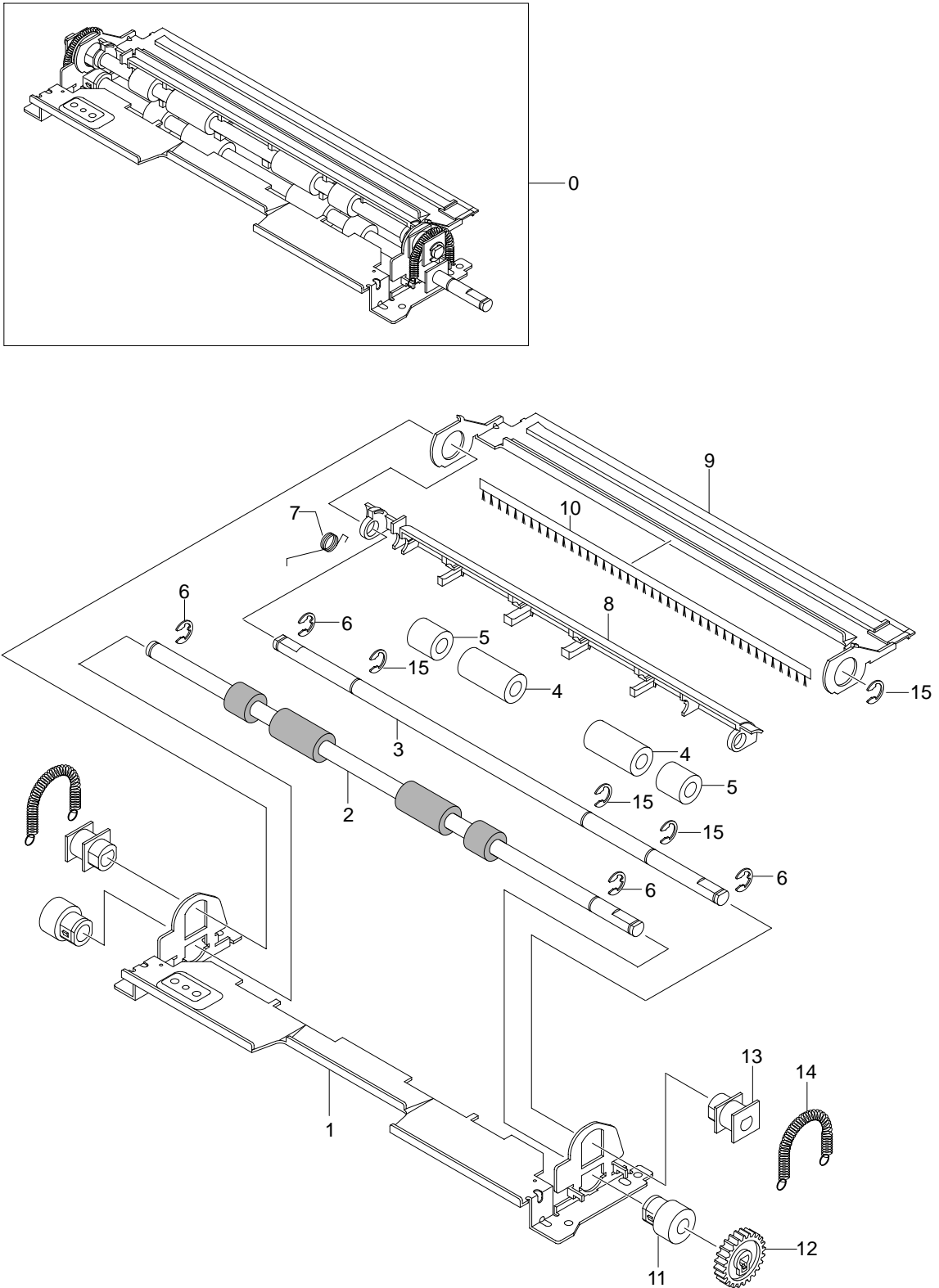
Frame Assembly(2/2)



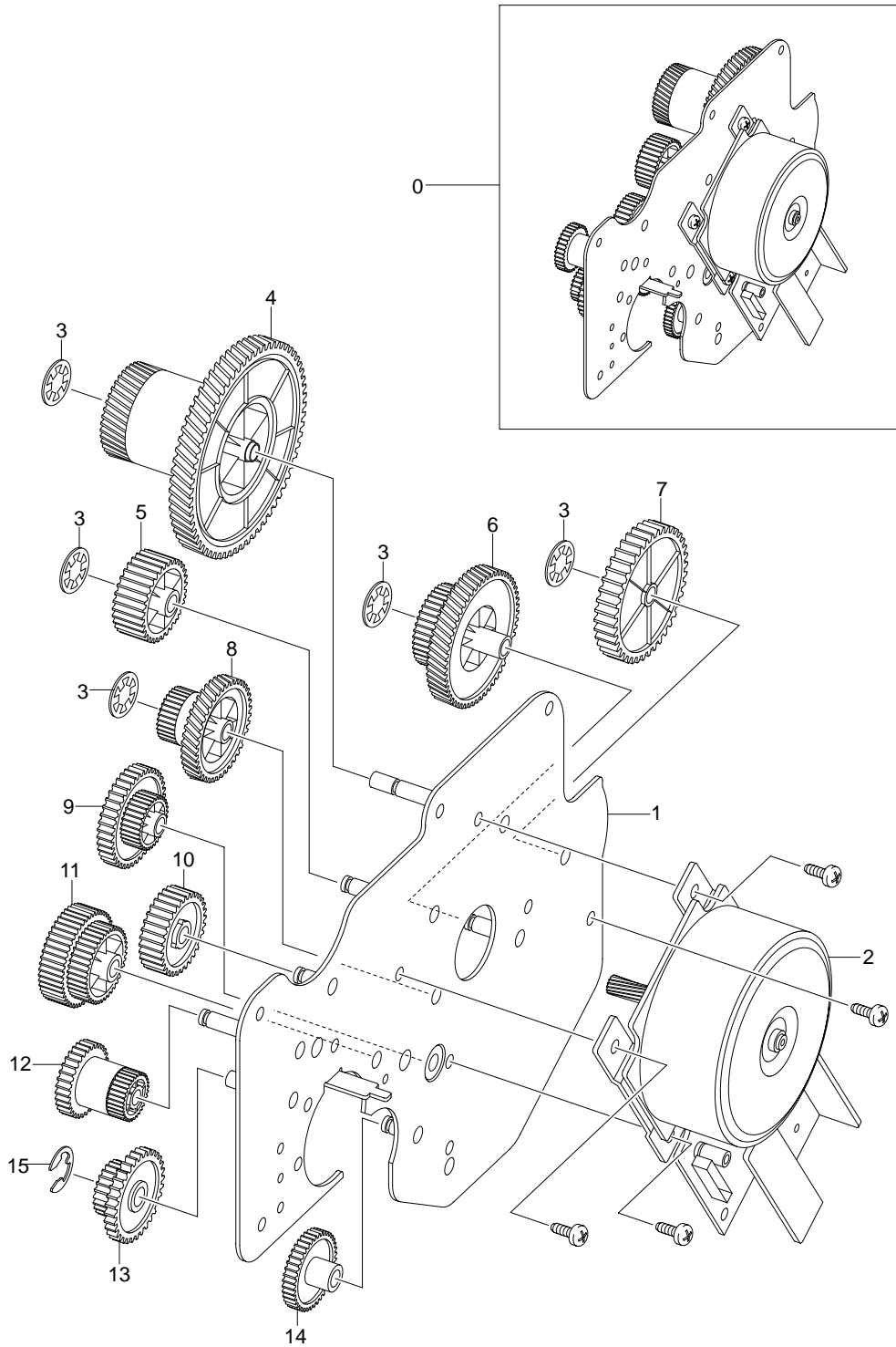
8.4 Fuser Unit



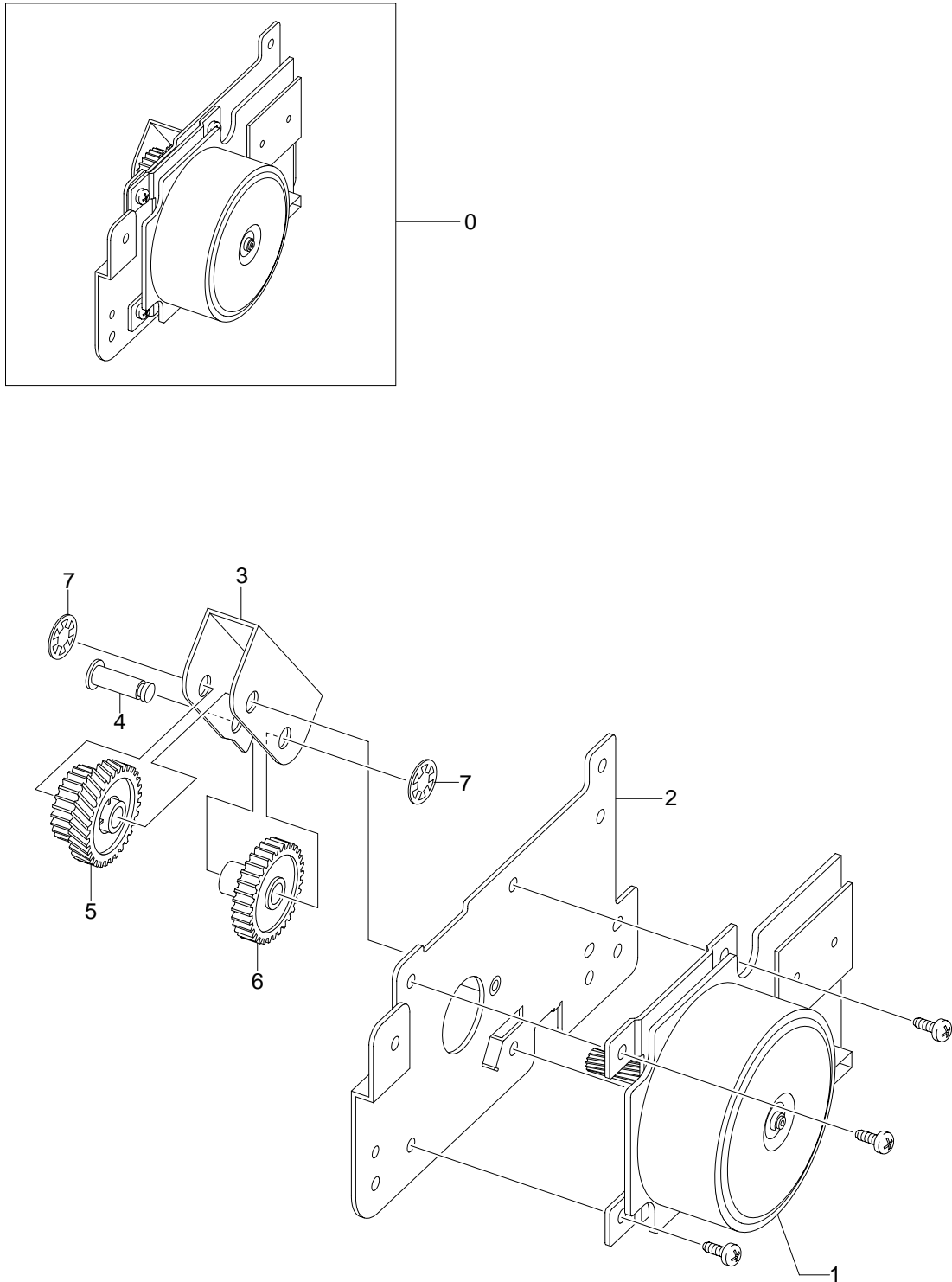
8.5 REGI Assembly



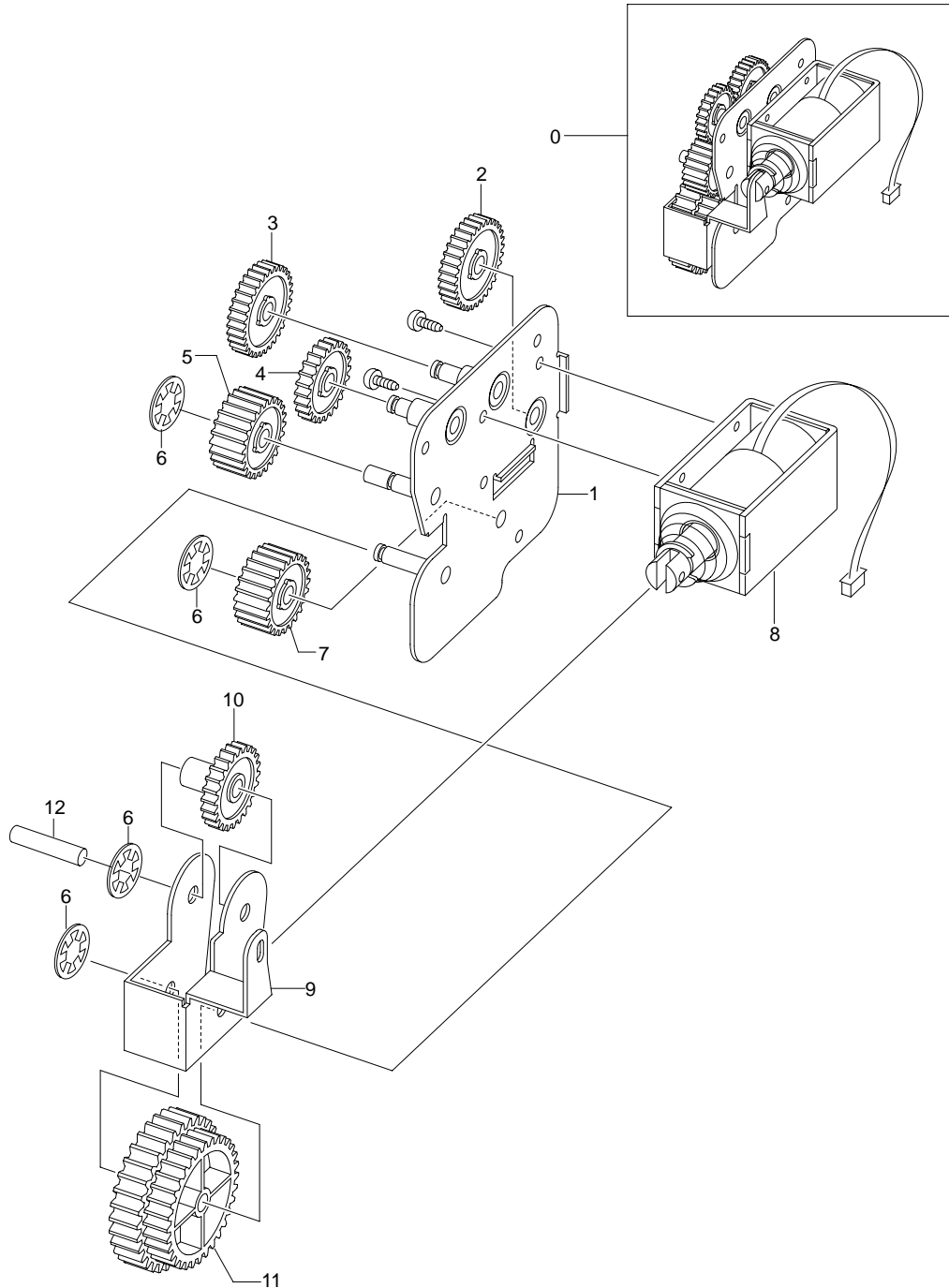
8.6 Main Motor Assembly



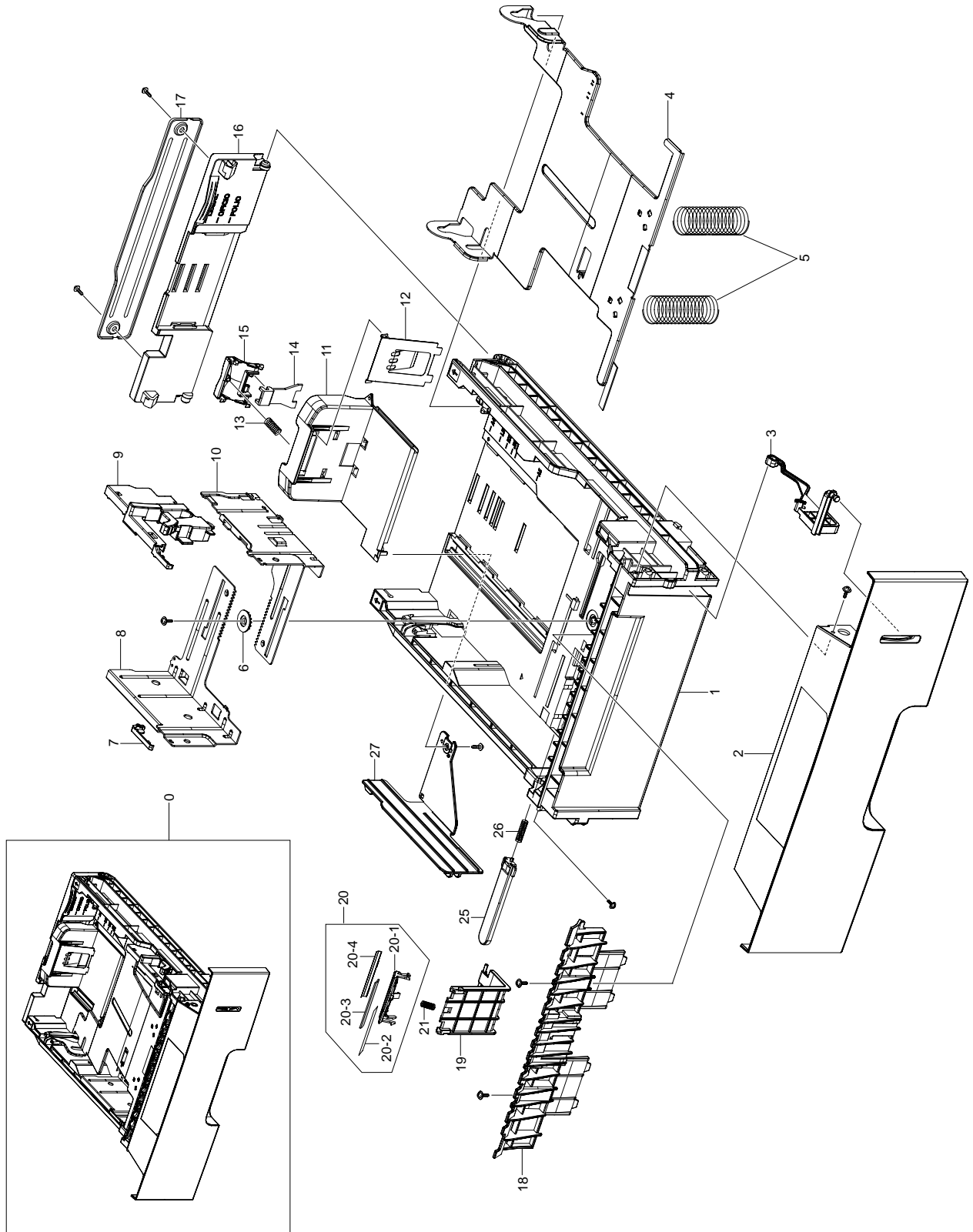
8.7 Deve Motor Assembly



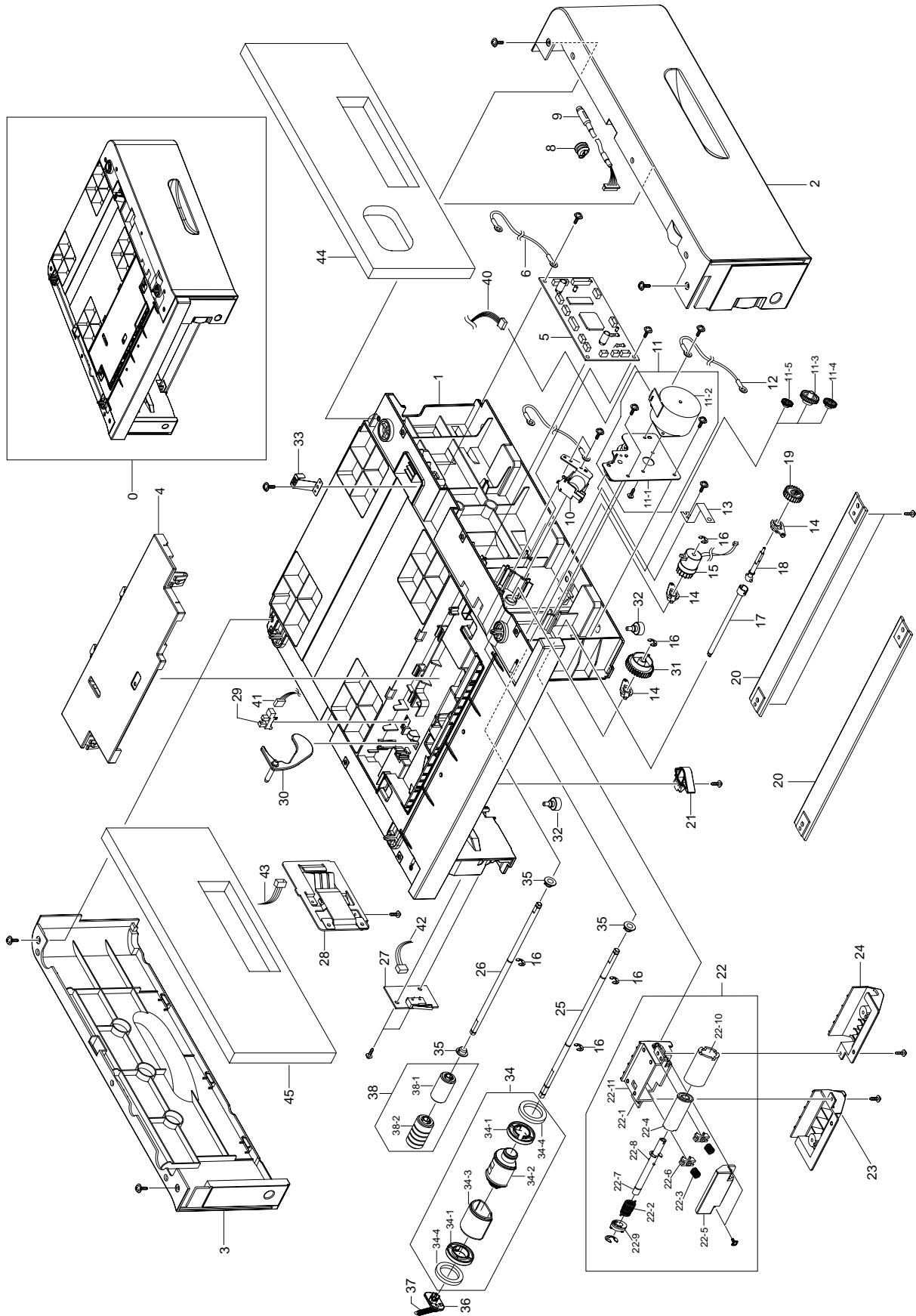
8.8 Duplex Sorenoid Assembly



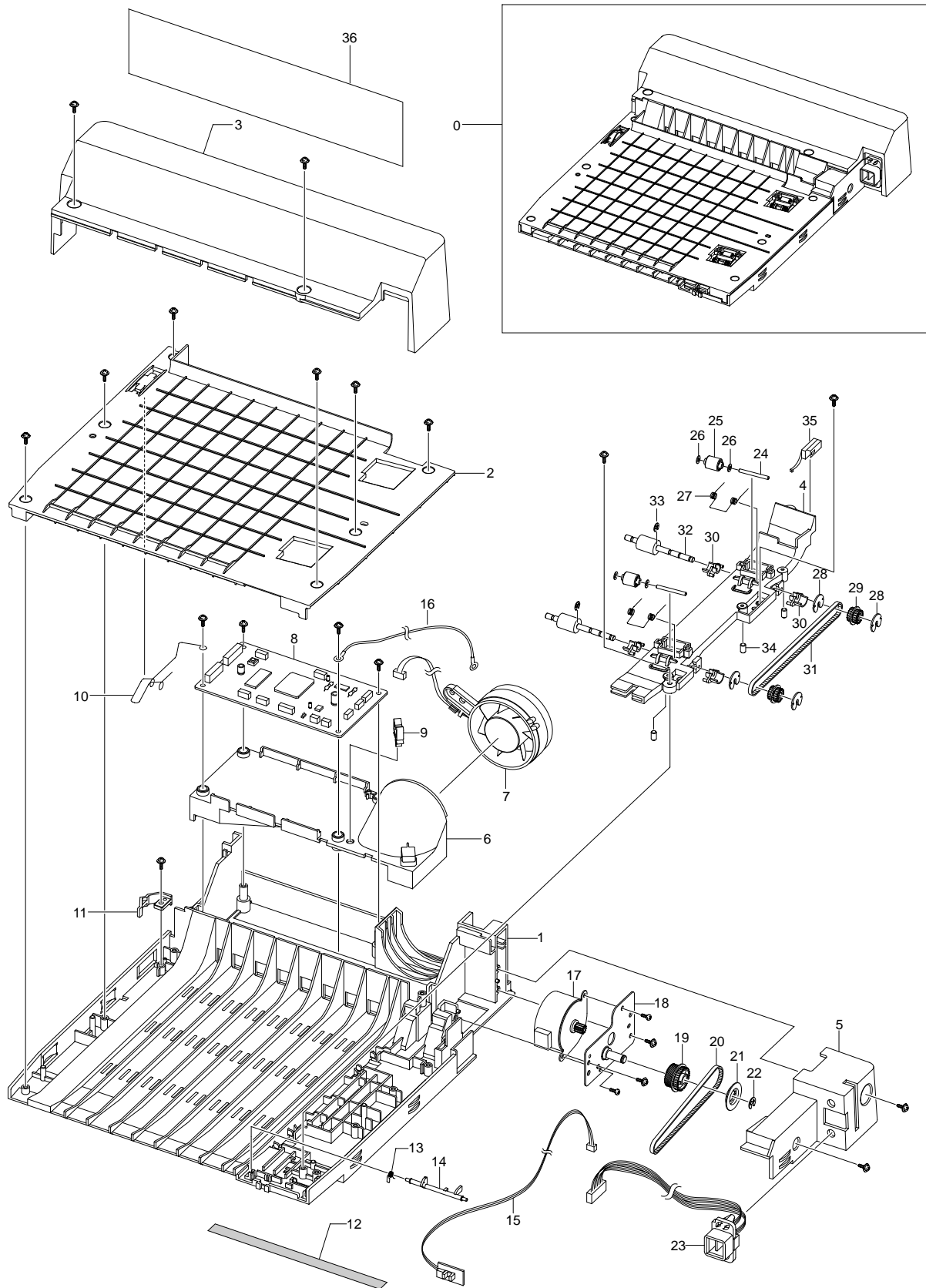
8.9 Cassette Assembly



8.10 SCF Unit



8.11 Duplex Unit



Parts List(SEC model: ML-3561N/XAA)

Service: SA(Service Available), SNA(Service not Available)

Draw # (Section-No.)	Parts Code	Description	Qt'y	Service	Remark
8.1 Main Exploded View Parts List					
8.1-1	JC96-03416A	ELA UNIT-FRAME BASE;ML-3560,XEROX,-,110V		SA	
8.1-2	JC96-03402C	ELA HOU BASE-HOUSHING;ML-3561N,SEC,EXPOR		SNA	
8.1-3	JC97-02230B	MEA UNIT-KNOCK_UP MP;ML-3560,SEC,-,110V/	G0470	SA	
8.1-3-1	JC61-01251B	PLATE-M_KNOCK UP MP;ML-3560,ABS,T2.2,W11	W3027	SA	
8.1-3-2	JC74-00011A	MPR-PAD KNOCK UP MP;ML-6060A,CR+CORK,10*	K5007	SNA	
8.1-3-3	JC72-01006B	PMO-SIDE GUIDE MP(R);ML-2150/XRX,HIPS,G6	G2301	SA	
8.1-3-4	JC72-01005B	PMO-SIDE GUIDE MP(L);ML-2150/XRX,HIPS,G6	G2299	SA	
8.1-3-5	JG66-40003A	GEAR-PINION;SF4000,POM,WHT,M1,Z16	G0367	SA	
8.1-3-6	JC66-00895A	SHAFT-REINFORCEMENT;ML-3560,SUM22+NI,L24		SNA	
8.1-4	JC97-02231A	MEA UNIT-COVER MP_SEC;ML-3560,SEC,-,110V	E4062	SA	
8.1-4-1	JC63-00695A	COVER-M-MP_SEC;ML-3560,ABS,T2.5,W182.3,L		SNA	
8.1-4-2	JC63-00691B	TRAY-M_EXTEND MP;ML-3560,HIPS,T2.5,W147.	K4281	SA	
8.1-5	JC63-00694B	TRAY-M_LINK MP(L);ML-3560,ABS,T2.0,W23.2	K4282	SA	
8.1-6	JC63-00689B	TRAY-M_LINK MP(R);ML-3560,ABS,T2.0,W23.2	K4283	SA	
8.1-7	JC66-00540A	ROLLER-TRANSFER;ML-2150,NBR SPONGE+SUM/N	Z3014	SA	
8.1-8	JC96-01729A	ELA UNIT-HOLDER TR R;ML-6060A,SAMSUNG,SE	K3139	SA	
8.1-8-1	JC72-41142A	PMO-BUSHING TR;ML-5000A,POM(CF-610,CH-15		SNA	
8.1-8-2	JC61-00046A	SPRING ETC-TR R HAWK;ML-6060A,SUS 304 WP		SNA	
8.1-8-3	JC72-41145C	PMO-TRANSFER HOLDER R;ML-6060A,ABS,PANTO		SNA	
8.1-8-4	JC70-11053A	IPR-PLATE TR;ML-5000A,PB(C5210P),-,T0.15		SNA	
8.1-9	JC96-01730A	ELA UNIT-HOLDER TR L;ML-6060A,SAMSUNG,SE	K3138	SA	
8.1-9-1	JC72-41142A	PMO-BUSHING TR;ML-5000A,POM(CF-610,CH-15		SNA	
8.1-9-2	JC61-00047A	SPRING ETC-TR L HAWK;ML-6060A,SWP-B,-,-,	Z4277	SA	
8.1-9-3	JC72-41145D	PMO-TRANSFER HOLDER L;ML-6060A,ABS,GRAY,		SNA	
8.1-10	JC72-41292B	PMO-CAP TR;ML-3560,POM,C75064,45.4*6.6,M	Z0015	SA	
8.1-11	JC66-00039A	GEAR-TR29;ML-6060A,POM,BLK,0.6,29	G0439	SA	
8.1-12	JC96-03665A	ELA UNIT-REGI;ML-3560,XEROX,-,REGI,-,-,-	K3142	SA	
8.1-13	JC66-00420A	GEAR-REGI Z25;ML-2150,M90-44,0.8,25,5.6,	G0415	SA	
8.1-14	JC67-00039A	CAP-M-GEAR;ML-2150,POM,-,-,-,BLK,-	C1013	SA	
8.1-15	JC59-00024A	UNIT-LSU;ML-3560,-,-,LETTER 35PPM ,600DP	K4284	SA	
8.1-16	JC96-03426A	ELA UNIT-EXIT SOL;ML-3560,XOG/SEC,USA,UN	K3059	SA	
8.1-17	JC96-03408A	ELA UNIT-DEVE MOTOR;ML-3560,XOG/SEC,USA,	K3057	SA	
8.1-18	JC96-03409A	ELA UNIT-MAIN MOTOR;ML-3560,XOG/SEC,USA,	K3140	SA	
8.1-19	JC92-01657C	PBA MAIN-MAIN;ML-3560,SEC,EXPORT,KESTREL		SA	
8.1-20	JC97-02226A	MEA UNIT-GEAR PICK UP;ML-3560,XOG/SEC,US	G0468	SA	
8.1-20-1	JC66-00870A	GEAR-M-PICK UP CAM;ML-3560,POM,0.8,27,-,		SNA	
8.1-20-2	JC66-00876A	GEAR-M-PICK UP;ML-3560,POM,0.8,27,-,WHT,		SNA	
8.1-20-3	JC61-00003A	SPRING ETC--CAM MP;ML-6100,SUS304-WPB,0.	Z4145	SA	
8.1-21	JC97-01738A	MEA UNIT-GEAR P/UP MP CARDINA;ML-2150,-,	G0467	SA	
8.1-21-1	JC66-00424A	GEAR-MP HOLDER_CAM;ML-2150,M90-44,0.8,37	H4008	SA	
8.1-21-2	JC66-00423A	GEAR-MP PICK_UP;ML-2150,POM(M90-44),0.8,	P2055	SA	
8.1-21-3	JC61-00003A	SPRING ETC--CAM MP;ML-6100,SUS304-WPB,0.	Z4145	SA	
8.1-22	JC66-10202A	BEARING-PICK UP;ML-80,POM,-,-,-	P2038	SA	
8.1-23	JC61-00755A	BRACKET-P-SHAFT MP;ML-2150,SECC,1.2,-,-,	S4013	SA	
8.1-24	JC47-00012A	MEP-CLUTCH FEED;-ML-3560,4.0W,DC24V,167	B5011	SA	
8.1-25	JC33-00012A	SOLENOID-MAIN;DLH-34L008-07,ML-2150,24V,	S8015	SA	
8.1-26	JC33-00016A	SOLENOID-MP;-ML-3560,24V,80 OHM,41.4X21	S8016	SA	
8.1-27	6044-000125	RING-E;ID4,OD9,T0.6,PASS,STSC	T2001	SA	
8.1-28	JC63-00692A	SHIELD-P-SMPS;ML-3560,SECC,T0.8,W222.1,L		SNA	
8.1-29	JC44-00082A	SMPS-(V1)+HVPS;ML-3560,*AC/DC,-,100-120		SA	
8.1-30	JC71-00042A	BAR-P_CROSS BOTTOM;ML-2150,SECC T1.0,-,-,	K2861	SA	
8.1-31	JC31-00029A	FAN-DC;AD0824MS-A70GL(TR),ML-2150,P.B.T,	F5016	SA	
8.1-32	JC61-00667A	STOPPER-M-FAN80;ML-2150,ABS,-,-,-,BLK,HB	F5029	SA	
8.1-34	JC96-03398A	ELA UNIT-DEVE;ML-3560/SEE,SAMSUNG,-,EXP,		SNA	
8.1-35	JC96-03418B	ELA UNIT-CASSETTE;ML-3560,SEC,-,110V/220	K3055	SA	
8.1-36	JC96-03423B	ELA UNIT-SCF		SA	
8.1-37	JC96-03412B	ELA UNIT-DUPLEX		SA	
8.1-38	JC61-00679A	BRACKET-P_DUMMY CTRL;ML-2150,SECC,0.6,-,	D2001	SA	
8.1-39	JC96-03733A	ELA HOU-NPC3_HIGH;ML-3561N,SAMSUNG,NPC3_	Z2266	SA	
8.1-39-1	JC92-01672A	PBA SUB-NPC3_HIGH;ML-3560,SEC,KOREA,10/1	M0449	SA	
8.1-39-2	JC61-00809A	BRACKET-_M_NPC;MLC-500,SECC,T0.8,-,-,-,-	H4009	SNA	
8.2 Cover Assembly					
8.2-0	JC96-03402C	ELA HOU BASE-HOUSHING;ML-3561N,SEC,EXPOR		SNA	

Service: SA(Service Available), SNA(Service not Available)

Draw # (Section-No.)	Parts Code	Description	Qt'y	Service	Remark
8.2-1	JC96-03411C	ELA UNIT-COVER TOP;ML-3561N,SEC,EXPORT,U		SA	
8.2-1-1	JC63-00699B	COVER-M_TOP;ML-3560,ABS,T2.5,W396.0,L426		SNA	
8.2-1-2	JC63-00704A	COVER-M-OPEN_SEC;ML-3560,ABS,T2.5,W395.9	H1295	SA	
8.2-1-3	JC72-01367B	PMO-STACKER_RX;ML-3560,ABS,WHT,W93.8*L53	L6055	SA	
8.2-1-4	JC66-00902B	LEVER-M_STACKING 38;ML-3560,PC+ABS,T1.2,	L3019	SA	
8.2-1-5	JC61-00656A	STOPPER-M-HINGE OPEN;ML-2150,ABS,-,-,-,-	H3073	SA	
8.2-1-6	JC63-00705B	COVER-M_OP PANEL_SEC;ML-3561N,ABS,T2.5,W		SNA	
8.2-1-8	JC75-00095A	MEC-BRUSH ANTISTATIC;ML-6060A,SEC,NTR	B5010	SA	
8.2-1-9	JC92-01473C	PBA MAIN-LCD PANEL;ML-3560,SEC,KOREA,LCD	K5008	SA	
8.2-1-10	JC64-00195A	KEY-M-BUTTON_SEC;ML-3560,ABS,80.8*80.0,H	S3059	SA	
8.2-1-11	JC64-00196A	KEY-M-ON LINE;ML-3560,ACRYL,D15.7, H10.6	S3060	SA	
8.2-1-12	JC64-00197A	KEY-M-SAVE MODE;ML-3560,ACRYL,D15.7, H11	S3061	SA	
8.2-1-13	JC64-00194A	WINDOW-M-LCD;ML-3560,PC,T1.5,W51.0,L84.7	K4285	SA	
8.2-1-14	JC63-00836A	GROUND-P-TOP_COVER;ML-3560,C5210P 1/2H,T	G0440	SA	
8.2-2	JC63-00684B	COVER-M_LEFT;ML-3560,ABS,T2.5,W425.0,L32	H1292	SA	
8.2-3	JC63-00701B	COVER-M_RIGHT;ML-3560,ABS,T2.5,W425.0,L3	H1294	SA	
8.2-4	JC63-00702B	COVER-M_CONTROL BOX;ML-3560,ABS,T2.5,W21	H1288	SA	
8.2-5	JC63-00685B	COVER-M_FRONT INNER;ML-3560,HIPS,T2.5,W3	H1291	SA	
8.2-6	JC97-02232B	MEA UNIT-COVER REAR;ML-3560,SEC,-,110V/2	E4063	SA	
8.2-6-1	JC63-00703B	COVER-M_REAR;ML-3560,ABS,T2.5,W300.8,L19	H1293	SA	
8.2-6-2	JC72-01357A	PMO-STACKER REAR;ML-3560,ABS,WHT,W289.4*	L6054	SA	
8.2-6-3	JC70-00007A	ICT-BRKT REAR COVER;ML-7000,SPCC,-,T1.2,		SNA	
8.2-6-4	JC61-01217A	GUIDE-M_EXIT;ML-3560,PET+GF30%,FR530,T2.	G0441	SA	
8.2-6-5	JC72-01359A	PMO-STRIFE;ML-3560,PE BOX 7033,NATURAL,T	L6056	SA	
8.2-6-6	JC70-20901A	IEX-SHAFT IDLE,F/UP;ML-5000A,SUS304,-,PI	S4049	SA	
8.2-6-7	JC72-20902A	PEX-ROLLER F/UP(2);ML-5000A,TEFLON,WHT,-	K3804	SA	
8.2-6-8	JC61-70909A	SPRING ETC-SAPERATION;ML-165,SUS304 WPB,	Z4254	SA	
8.2-6-9	JC68-01526A	LABEL(P)-JAM REMOVAL;COMMON,-,WHITE POLY		SNA	
8.2-7	JC63-00696B	COVER-M_FRAME EXIT;ML-3560,ABS,T2.5,W75.	H1290	SA	
8.2-8	JC63-00697B	COVER-M_DUMMY DUP;ML-3560,ABS,T2.0,W53.2	H1289	SA	
8.3 Frame Assembly					
8.3-0	JC96-03416A	ELA UNIT-FRAME BASE;ML-3560,XEROX,-,110V		SA	
8.3-1	JC61-01206A	FRAME-M_BASE;ML-3560,PC,NH-1035P,5V,BLK,		SNA	
8.3-2	JC97-02228A	MEA UNIT-PICK UP MP;ML-3560,XEROX,-,110V	G0472	SA	
8.3-2-1	JC66-00894A	SHAFT-M-PICK UP MP;ML-3560,PC,L339.8,OD1	S4117	SA	
8.3-2-2	JC72-01003A	PMO-IDLE PICK UP MP;ML-2150,POM,WHITE,-,	P2131	SA	
8.3-2-4	JC96-02686B	ELA UNIT-ROLLER P/UP MP;ML-3560,XEROX/SE	K3144	SA	
8.3-2-4-1	JC61-00705A	HOLDER-M-PICKUP MP;ML-2150,POM,-,-,-,BLK	P2062	SA	
8.3-2-4-2	JC61-00685A	HOUSING-M-PICK UP MP;ML-2150,PC+ABS,-,-,	P2064	SA	
8.3-2-4-3	JC73-00224A	RUBBER-PICK UP MP;ML-3560,IR,D29.8,35,27	C4024	SA	
8.3-2-5	JC66-00893A	CAM-M-SHAFT;ML-3560,POM,T1.5,*10.95*8.3	P2043	SA	
8.3-3	JC97-02238A	MEA UNIT-GEAR IDLE;ML-3560,XOG/SEC,USA,M	E4065	SA	
8.3-3-1	JC61-01200A	BRACKET-P-GEAR IDLE;ML-3560,SECC,1.2,118		SNA	
8.3-3-2	JC66-00872A	GEAR-FUSER IDLE 3;ML-3560,POM,1,53,-,WHT		SNA	
8.3-3-3	JC66-00859A	GEAR-M-FUSER IDLE 2;ML-3560,POM,1,33,-,W		SNA	
8.3-3-4	JC66-00858A	GEAR-M-FUSER DRV IN;ML-3560,POM,1,33,-,W		SNA	
8.3-3-5	JC66-00868A	CLUTCH-M-HUB;ML-3560,POM,-,WHT,CLUTCH HU		SNA	
8.3-3-6	JC66-00417B	GEAR-RDCN FUSER OUT;ML-3560,HTNFR,1.0,25	G0368	SA	
8.3-3-7	6044-000231	RING-E;ID5.0,OD11.0,T0.6,PASS,STS304		SA	
8.3-4	JC96-03403A	ELA HOU BASE-HOLDER;ML-3560,XEROX,-,110V	H1297	SA	
8.3-4-1	JC61-01248A	FRAME-M-HOLDER PAD;ML-3560,HIPS,-,HB,BLK		SNA	
8.3-4-2	JC61-00684A	HOLDER-M-PAD;ML-2150,PC,-,-,-,BLK,-	H4029	SA	
8.3-4-3	JC73-00132A	RPR-FRICTION PAD MP;ML-2150,NBB,53*9.8*T	P0034	SA	
8.3-4-4	JC61-00387A	SPRING ETC-PAD;ML-9400W,SUS304WPB,PI0.5,	Z4226	SA	
8.3-4-5	JC72-01365A	PMO-ACTUATOR EMPTY MP;ML-3560,PC,BLK,42.	W3028	SA	
8.3-4-6	JC61-70965A	SPRING ETC-EMPTY;ML-6000,SUS304-WPB,PI0.	O1099	SA	
8.3-4-7	0604-001095	PHOTO-INTERRUPTER;TR,90%,150mW,DIP-4,BK	W3026	SA	
8.3-4-8	JC39-00451A	CBF HARNESS-MP_EMPTY;ML-3560,CBF,UL 1061	H1253	SA	
8.3-5	JC97-01034A	MEA RACK-EXIT ROLLER;ML-1605,SUMSUNG,KOR	E4060	SA	
8.3-5-1	JC72-41006A	PMO-HOLDER EXIT ROLL;ML-165,PC,BLK,HB,-	E4126	SA	
8.3-5-2	JC72-41007A	PMO-ROLLER FD F;ML-165,POM,BLACK,-,-,-,-	K4063	SA	
8.3-5-3	JC72-41008A	PMO-ROLLER FD R;ML-165,POM,BLACK,-,-,-,-	K4064	SA	
8.3-5-4	JC61-70911A	SPRING ETC-EXIT ROLL FD;ML-165,SUS304 WP	Z4137	SA	
8.3-6	JC66-00883A	ROLLER-EXIT_F/DOWN;ML-3560,SUM+EPDM,D16,	D4089	SA	
8.3-7	JC61-00673A	HOLDER-M-BUSHING EXIT;ML-2150,POM,-,-,-,	H4022	SA	
8.3-8	JC72-01310A	PMO-ACTUATOR OUTFULL;ML-2150,POM,BLK,-,V	K3819	SA	
8.3-9	JC66-00674A	GEAR-M-EXIT Z17;ML-2550,M90-44,1.0,17,Ø	G0331	SA	
8.3-10	JC61-00673A	HOLDER-M-BUSHING EXIT;ML-2150,POM,-,-,-,	H4022	SA	
8.3-11	JC97-02299A	MEA UNIT-ROLL EXIT DU;ML-3560,XEROX,USA,	G0473	SA	
8.3-11-1	JC66-00882A	SHAFT-M-EXIT_DUPLEX;ML-3560,PC,5V,NH-103		SNA	

Service: SA(Service Available), SNA(Service not Available)

Draw # (Section-No.)	Parts Code	Description	Qt'y	Service	Remark
8.3-11-2	JC73-00210A	RUBBER-EXIT_DUP;ML-3560,EPDM,D18.7X11.2,	C4021	SA	
8.3-12	JC61-01262A	BUSH-M_EXIT D7;ML-3560,POM,D7,D9,7,BLK,-	S4014	SA	
8.3-13	JC66-00854A	GEAR-M-EXIT DUP Z21;ML-3560,POM,1,21,-,W	G0200	SA	
8.3-14	JC96-02127A	ELA HOU-CST SENSOR HAWK16;ML-7250,XEROX,	Z2263	SA	
8.3-14-1	JC92-01336A	PBA SUB-CASSETTE;ML-1650,KOREA/EXPORT,-,		SNA	
8.3-14-2	JC70-00192A	IPR-PLATE SENSOR;ML-7250,SUS301,-,0.2T,-	S3058	SA	
8.3-14-3	JC70-00195A	IPR-BRACKET SENSOR;ML-7250,SECC,-,1.0T,-	S3055	SA	
8.3-15	JC39-00261A	CBF HARNESS-SENSOR;ML-2150,CBF,UL 1061,4	H1242	SA	
8.3-16	JC61-00675A	GUIDE-P_REGI UPPER;ML-2150,SECC,1.2T,-,-	G2082	SA	
8.3-17	JC61-70918A	SPRING ETC-LEVER;ML-165,SUS304 WPB,PIO.5	L4097	SA	
8.3-18	JC61-00671A	HOLDER-M-BUSHING TX;ML-2150,POM,-,-,BL	H4023	SA	
8.3-19	JC61-00691A	GUIDE-PLATE PAPER;ML-2060,SECC,T0.6,-,-	G2091	SA	
8.3-20	JC70-00339A	IPR-P_GROUND PLATE PAPER;ML-2150,SUS304	P5064	SA	
8.3-21	0604-001095	PHOTO-INTERRUPTER;TR,90%,150mW,DIP-4,BK	W3026	SA	
8.3-23	JC39-00458A	CBF HARNESS-THERM;ML-3560,CBF,UL 1061,2P	H1256	SA	
8.3-24	JC61-01581A	HOUSING-M_TERMINAL;ML-3560,PET+GF30% FR5		SNA	
8.3-25	JC65-00013A	TERMINAL-P-FUSER;ML-3560,C5210P ZINC COA	K4277	SA	
8.3-26	JC39-00456A	CBF HARNESS-FUSER;ML-3560,CBF,UL 3122,2P	H1249	SA	
8.3-27	JC67-00099A	CAP-M-HOUS_TERM;ML-3560,PC NH1035P,1.5,9		SNA	
8.3-28	JC63-00670A	SHIELD-P_CTRL;ML-3560,SECC,0.6,169.4,194		SNA	
8.3-29	JC63-00677A	GROUND-P-MOTOR_DEVE;ML-3560,C5210P,T0.2,		SNA	
8.3-30	JC63-00669A	GROUND-P_GUIDE TR;ML-3560,C5210P,T0.2,10		SNA	
8.3-31	JC63-00672A	GROUND-P-REGI_ROLLER;ML-3560,C5210P,T0.2		SNA	
8.3-32	JC63-00678A	GROUND-P-PICK_UP_MP;ML-3560,C5210P,T0.2,		SNA	
8.3-33	JC63-00673A	GROUND-P-SCF_MAIN;ML-3560,C5210P,T0.2,26		SNA	
8.3-34	JC63-00671A	GROUND-P-MOTOR_MAIN;ML-3560,C5210P,T0.2,		SNA	
8.3-35	JC63-00680A	GROUND-P-GUIDE_DUP;ML-3560,C5210P,T0.2,1		SNA	
8.3-36	JC67-00093A	CAP-M-GUIDE_HARNESS;ML-3560,ABS HF0660I,		SNA	
8.3-37	JC72-01356A	PMO-DUMMY_DEVE;ML-3560,ABS,BLK,68.4*31.6	Z0016	SA	
8.3-38	JC96-01772A	ELA HOU-VARISTOR;ML-6060,NEC/SEC,110/220	K3053	SNA	
8.3-39	JC61-40001A	FOOT-ML80;ML-80,NBR,-,GRAY,-,-,-	F1013	SA	
8.3-40	JC72-01355A	PMO-REMOVE_LOCK_CST;ML-3560,POM,BLK,36*3	L6040	SA	
8.3-41	JC66-00890A	SHAFT-M-GEAR_RETARD;ML-3560,POM GF25,27.		SNA	
8.3-42	JC66-00439A	SHAFT-M-COUPLING RETARD;ML-2150,POM GF 2	S4116	SA	
8.3-43	JC72-41191B	PMO-BEARING SHAFT;ML-2150,POM,BLK,-,DE89	S4068	SA	
8.3-44	JC66-00420A	GEAR-REGI Z25;ML-2150,M90-44,0.8,25,5,6,	G0415	SA	
8.3-45	JC72-41191B	PMO-BEARING SHAFT;ML-2150,POM,BLK,-,DE89	S4068	SA	
8.3-47	JC96-03661A	ELA HOU-FRAME_LSU_LO;ML-3560,XEROX,-,-,-	Z2264	SA	
8.3-47-1	JC61-01207A	FRAME-M-LSU_LOWER;ML-3560,ABS,HF0660I,HB		SNA	
8.3-47-2	JC92-01705A	PBA SUB-TONER SENSOR;ML-3560,SEC,KOREA,T	M0412	SA	
8.3-47-3	JC65-00004A	TERMINAL-P_DEVE;ML-2060,SUS304WPB,-,-,PI	T2175	SA	
8.3-47-4	JC92-01730A	PBA SUB-COVER OEPN;ML-3560,SEC,KOREA,-,-	M0443	SA	
8.3-47-5	JC67-00095A	CAP-M_COVER_OPEN;ML-3560,POM(M90-44),1.5		SNA	
8.3-48	JC96-03425A	ELA UNIT-FEED3X5;ML-3560,XEROX,-,110V/22	K3062	SA	
8.3-48-1	JC61-01240A	HOLDER-M-SAW;ML-3560,PC,1.5,27.5,204,BLA		SNA	
8.3-48-2	JC61-01235A	GUIDE-P-TRANSFER_FRONT;ML-3560,SECC,0.6,		SNA	
8.3-48-3	JC61-01236A	PLATE-P-SAW;ML-3560,SUS304CSP,0.15,14.5,		SNA	
8.3-48-4	JC66-00889A	SHAFT-M_ROLLER_BELT;ML-3560,PC,170,10,BL		SNA	
8.3-48-5	JC66-00887A	ROLLER-M_IDLE_BELT;ML-3560,POM,4,8,9,6,N		SNA	
8.3-48-7	JC73-00206A	RUBBER-BELT_FEED;ML-3560,EP+NR,L=62,30,5	C4020	SA	
8.3-48-8	JC61-01239A	GUIDE-M_SHAFT_BELT;ML-3560,POM,0.6,10,6,		SNA	
8.3-49	JC96-03419A	ELA UNIT-RETARD;ML-3560,XEROX,-,110V/220	K3143	SA	
8.3-49-1	JC61-01231A	FRAME-M-RETARD;ML-3560,PC,NH-1035P,-,BLA		SNA	
8.3-49-2	JC61-01232A	HOLDER-M-RETARD;ML-3560,ABS,1.5,26.6,65,		SNA	
8.3-49-3	JC61-00013A	SPRING ETC-PAD;SF-5100,SUS304WPB,0.5,-,1		SNA	
8.3-49-5	JC61-00635A	HOUSING-M-RETARD;ML-2150,POM(M90-44),-,-	H6035	SA	
8.3-49-4	JC61-00652A	BUSH-M-RETARD;ML-2150,POM(DE-8903),-,-,-	K2883	SA	
8.3-49-6	JC66-00590A	SHAFT-RETARD;ML-2150,SUM 22,58,6,-,-,-	S4130	SA	
8.3-49-7	6044-000125	RING-E;ID4,OD9,T0.6,PASS,STSC	T2001	SA	
8.3-49-8	JC72-00993A	PMO-HUB OUT RETARD;ML-2150,POM,BLK,-,M90	K4021	SA	
8.3-49-9	6107-001157	SPRING-TS;SWP-B,-,PIO.8,D11.5,-,N11.5,-,		SA	
8.3-49-10	JC70-00520A	HUB-IN_RETARD;ML-3560,BRONZE SINTERED,1,		SNA	
8.3-49-11	JC73-00207A	RUBBER-RETARD;ML-3560,IR,19.5,35,30,YELL	C4026	SA	
8.3-50	JC96-03421A	ELA UNIT-FEED2_IDLE;ML-3560,XEROX,-,110V	K3060	SA	
8.3-50-1	JC61-01242A	HOLDER-IDLE_FEED2;ML-3560,ABS,2.5,17,4,6,		SNA	
8.3-50-2	JC67-00105A	CAP-M_IDLE_FEED2;ML-3560,POM,2,9,21,6,NT		SNA	
8.3-50-3	JC61-00387A	SPRING ETC-PAD;ML-9400W,SUS304WPB,PIO.5,	Z4226	SA	
8.3-50-4	JC61-00652A	BUSH-M-RETARD;ML-2150,POM(DE-8903),-,-,-	K2883	SA	
8.3-50-5	JC66-00912A	SHAFT-IDLE_FEED2;ML-3560,SUM22+NI,52,6,-	S4108	SA	
8.3-50-6	6044-000125	RING-E;ID4,OD9,T0.6,PASS,STSC	T2001	SA	
8.3-50-7	JC66-00892A	ROLLER-M_IDLE_FEED2;ML-3560,POM,17,35,5,		SNA	

Service: SA(Service Available), SNA(Service not Available)

Draw # (Section-No.)	Parts Code	Description	Qt'y	Service	Remark
8.3-50-9	JC66-00591A	SHAFT-HUB IN;ML-2150,SUM 24L,8.5,1.9,-,-	S4107	SA	
8.3-51	JC61-01250A	STOPPER-M-KNOCK UP MP_L;ML-3560,POM,T2.5	H3074	SA	
8.3-52	JC61-01249A	STOPPER-M-KNOCK UP MP_R;ML-3560,POM,T2.5	H3075	SA	
8.3-53	JC61-01252A	RAIL-M-LEFT_DUP;ML-3560,POM,T2.0,W7.4,L1	L6057	SA	
8.3-54	JC61-01253A	RAIL-M-RIGHT_DUP;ML-3560,POM,T2.0,W10.0,	L6058	SA	
8.3-55	JC72-41191B	PMO-BEARING SHAFT;ML-2150,POM,BLK,-,-,DE89	S4068	SA	
8.3-56	JC66-00420A	GEAR-REGI Z25;ML-2150,M90-44,0.8,25,5.6,	G0415	SA	
8.3-57	JC66-10202A	BEARING-PICK UP;ML-80,POM,-,-,-	P2038	SA	
8.3-58	JC72-00991A	PMO-ACTUATOR EMPTY;ML-2150,POM,BLK,-,-,-	K3816	SA	
8.3-59	JC96-03422A	ELA UNIT-PICK UP;ML-3560,XEROX,-,110V/22	K3141	SA	
8.3-59-1	JC66-00910A	SHAFT-PICK UP;ML-3560,SUM22+NI,196.6,-,-	S4118	SA	
8.3-59-2	JC97-02233A	MEA UNIT-P/UP_HOUSING;ML-3560,XEROX,-,11	G0471	SA	
8.3-59-2-1	JC72-01361A	PMO-M IDLE-PICK UP;ML-3560,POM,NTR,29.8,	L6039	SA	
8.3-59-2-3	JC61-01238A	HOUSING-M-PICK UP;ML-3560,ABS,2.0,28.8,5		SNA	
8.3-59-3	JC72-01362A	PMO- M CAM_PICK_UP;ML-3560,POM,NTR,-,M90		SNA	
8.3-59-4	JC66-00911A	SHAFT-FEED1;ML-3560,SUM22+NI,214.5.6,-,-	C4028	SA	
8.3-59-5	JC81-03458A	AS-UNIT_FEED1;ML-3560,-,-,110V/220V,SVC,	K2860	SA	
8.3-59-5-1	JC61-01237A	HOUSING-M-FEED1;ML-3560,ABS,2.5,15.5,33.		SNA	
8.3-59-5-2	JC73-00208A	RUBBER-FEED1;ML-3560,IR,17.85,35.30,YELL	C4022	SA	
8.3-59-6	JC63-00674A	GROUND-P-PICK_UP_MAIN;ML-3560,C5210P,0.2		SNA	
8.3-59-8	JC72-00382B	PMO-BUSHING FEED;ML-1710,POM(DERLIN 8903	F6161	SA	
8.3-59-9	JC61-01234A	GUIDE-P-FRONT-DUP-PICKUP;ML-3560,SECC,1,		SNA	
8.3-59-10	JC61-01233A	GUIDE-M SUPPORT-PICKUP;ML-3560,ABS, GF20		SNA	
8.3-60	JC96-03420A	ELA UNIT-FEED2;ML-3560,XEROX,-,110V/220V	K3061	SA	
8.3-60-1	JC61-01241A	FRAME-M-PICK UP;ML-3560,PC/ABS,NH-1000T,		SNA	
8.3-60-3	JC66-00891A	SHAFT-M-FEED2;ML-3560,PC,232.3,12.BLACK,		SNA	
8.3-60-5	JC73-00205A	RUBBER-ROLLER_FEED2;ML-3560,CR+NR,D=15.1	C4027	SA	
8.3-61	JC92-01704A	PBA SUB-JOINT;ML-3560,SEC,USA,KESTREL,JO	M0448	SA	
8.3-62	JC39-00441A	CBF HARNESS-TRAY OUT;ML-3560,CBF,UL 1061	H1257	SA	
8.3-63	JC67-00094A	CAP-M_POWER;ML-3560,PC NH-1035P,2,55,5,4		SNA	
8.3-64	JC39-00455A	CBF HARNESS-INLET;ML-3560,CBF,UL 1617 /	H1252	SA	
8.3-65	JC66-00888A	SHAFT-M BELT_GEAR;ML-3560,PC,32.2,8,BLAC		SNA	
8.3-66	JC72-41191B	PMO-BEARING SHAFT;ML-2150,POM,BLK,-,DE89	S4068	SA	
8.3-67	JC66-00674A	GEAR-M-EXIT Z17;ML-2550,M90-44,1.0,17,Ø	G0331	SA	
8.3-68	JC67-00092A	CAP-M-DEVE_MOTOR;ML-3560,ABS G/F20 GR402		SNA	
8.3-69	JC39-00449A	CBF HARNESS-DUPLEX;ML-3560,CBF,UL 1061,8		SNA	
8.3-71	JC67-00036A	CAP-M-WIRE PTL LOWER;ML-2150,POM,-,-,-,B	C1015	SA	
8.3-72	JC65-00001A	TERMINAL-P_PTL;ML-2060,SUS301 3/4H,-,-,T	K4276	SA	
8.3-73	JC39-00181A	CBF HARNESS-PTL;SCX-5100,WIRE HARNESS,UL	H1212	SA	
8.3-76	JC92-01512B	PBA SUB-EXIT SENSOR;ML-3560,SEC,KOREA,EX	M0445	SA	
8.3-77	JC92-01261C	PBA SUB-FUSER SW;ML-3560,SEC,KOREA,FUSER	M0447	SA	
8.3-78	JC61-01218A	GUIDE-M-FRONT;ML-3560,PET+GF30%,FR530,2,	G0442	SA	
8.3-79	JC65-00010A	TERMINAL-P-GUIDE_FRONT;ML-3560,C5201P,-,		SNA	
8.3-81	JC72-00317A	PMO-GUIDE DEVE L;ML-6060A,POM,-,-,-,-,-,	T2158	SA	
8.3-82	JC72-00318A	PMO-GUIDE DEVE R;ML-6060A,POM,-,-,-,-,-,	T2159	SA	
8.3-83	JC61-70932A	SPRING ETC-GUIDE DEVE;ML-5000A,-,D4.3,-,	Z4188	SA	
8.3-84	JC65-00008A	TERMINAL-P-TR_KESTREL;ML-3560,C5210P,-,-	K4278	SA	
8.3-86	JC65-00009A	TERMINAL-SPRING_TR;ML-3560,STS304WPB,-,-	K4279	SA	
8.3-87	JC92-01488A	PBA MAIN-ZENER;ML-2150,SEC,KOREA,ZENER B	M0442	SA	
8.3-89	JC63-00679A	GROUND-P-ZENER;ML-3560,C5210P,T0.2,26.6,		SNA	
8.3-90	JC63-00676A	GROUND-P-FUSER;ML-3560,SUS301,T0.2,32.2,		SNA	
8.3-91	JC65-00006A	TERMINAL-P_HV CARDINAL;ML-2060,SUS304 1/	K4272	SA	
8.3-92	JC97-01401A	MEA UNIT-TERMINAL:TR;ML-5000A,SAMSUNG,KO	K3638	SA	
8.3-93	JC39-00457A	CBF HARNESS-HVPS;ML-3560,CBF,UL 1617/323	H1251	SA	
8.3-94	JC70-00332A	IPR-P_GROUND OPC;ML-2150,SUS301 3/4H,-,0	O0020	SA	
8.3-95	JC92-01511B	PBA SUB-EMPTY SENSOR;ML-3560,SEC,KOREA,-	M0444	SA	
8.3-96	JC39-00440A	CBF HARNESS-SENSOR;ML-3560,CBF,UL 1061,4	H1254	SA	
8.3-97	JC92-01262C	PBA SUB-FEED SENSOR;ML-3560,SEC,KOREA,FE	M0446	SA	
8.3-98	JC67-00098A	CAP-M_HV;ML-3560,PC 5V NH-1035P,1.5,95.0		SNA	
8.3-99	JC67-00097A	CAP-M_SENSOR_FEED;ML-3560,PC NH1035P,1.5		SNA	
8.3-100	JC67-00138A	DUCT-M_FAN;ML-3560,ABS HB HF0660I,1.5,80	H1296	SA	
8.4 Fuser Unit					
8.4-0	JC96-03406A	ELA UNIT-FUSER-110V;ML-3560,XEROX,USA,11		SA	
8.4-1	JC96-03427A	ELA UNIT-FUSER_UPPER;ML-3560,XEROX,USA,1		SNA	
8.4-1-2	JC71-00056A	ELECTRODE-P-FU_L_08;ML-3560,T0.8,20.2,32		SNA	
8.4-1-3	1404-001141	THERMISTOR-NTC;5.6Kohm,5%,3200K,2.1mW/C,		SNA	
8.4-1-4	JC72-41012C	PMO-GUIDE CLAW GREEN;ML-3560,PEEK,BLK,T1	Z0018	SA	
8.4-1-5	6107-001159	SPRING-TS;SUS304,-,P10.45,D3.85,L20,-,W1		SA	
8.4-1-6	JC61-70909A	SPRING ETC-SAPERATION;ML-165,SUS304 WPB,	Z4254	SA	
8.4-1-7	JC75-00095A	MEC-BRUSH ANTISTATIC;ML-6060A,SEC,NTR	B5010	SA	

Service: SA(Service Available), SNA(Service not Available)

Draw # (Section-No.)	Parts Code	Description	Qt'y	Service	Remark
8.4-1-8	JC61-01215A	HOLDER-M-LEVER_L;ML-3560,PC,NH1023XD,T1.		SNA	
8.4-1-9	JC61-00785A	HOLDER-M-IDLE ROLLER;ML-2150,PC,-,-,BL	H4027	SA	
8.4-1-10	JC72-40981A	PMO-ROLLER UPPER DP;ML-165,POM,WHT,HB,-	K4068	SA	
8.4-1-11	JC61-01215A	HOLDER-M-LEVER_L;ML-3560,PC,NH1023XD,T1.		SNA	
8.4-1-12	JC61-01216A	HOLDER-M-LEVER_R;ML-3560,PC,NH1023XD,T1.		SNA	
8.4-1-13	JC71-00052A	ELECTRODE-P-SUPPORT;ML-3560,T0.2,-,D27.6		SNA	
8.4-1-15	6003-000196	SCREW-TAPTITE;PWH,+ ,B,M3,L10,NI PLT,SWRC		SA	
8.4-1-16	JC66-00932A	ROLLER-HEAT;ML-3560,AL PIPE T1MM,39.9MM,		SA	
8.4-1-17	6601-001346	BEARING-BALL;6809 2Z,ID45,OD58,L7,GCR5,0	K2862	SA	
8.4-1-18	JC67-00101A	CAP-M-END;ML-3560,PPS, OFL4036,T2,D39.8,	A0004	SA	
8.4-1-19	JC61-01260A	BUSH-M_HR;ML-3560,PPS,RBA313N,D39.95,D44	S4015	SA	
8.4-1-20	JC66-00878A	GEAR-M-FUSER Z49;ML-3560,PPS, OFL4036,M1,	G0332	SA	
8.4-1-21	JC61-01550A	STOPPER-SPACER;ML-3560,PC,T0.5,-,BLACK		SNA	
8.4-1-22	JC71-00051A	ELECTRODE-FU;ML-3560,T5.5,-,D28,SME19		SNA	
8.4-1-23	JC61-70932A	SPRING ETC-GUIDE DEVE;ML-5000A,-,D4.3,-,	Z4188	SA	
8.4-1-24	JC67-00111A	CAP-M_ACTUATOR_UP;ML-3560,PC+GF20%,HF320		SNA	
8.4-1-25	JC63-00726A	COVER-M-REAR GUIDE UP;ML-3560,NYLON+GF25		SNA	
8.4-1-26	JC71-00055A	ELECTRODE-P-SU CARBON;ML-3560,T0.2,8.5,9		SNA	
8.4-1-27	JC70-20901A	IEX-SHAFT IDLE,F/UP;ML-5000A,SUS304,-,PI	S4049	SA	
8.4-1-28	JC61-01284A	HOLDER-P-SL CONNECTOR;ML-3560,SUS301 3/4		SNA	
8.4-1-H	JC96-03722A	ELA UNIT-HEAT 110V;ML-3560,SEC,-,FUSER,H		SA	
8.4-2	JC63-00681A	COVER-M-FUSER_UPPER;ML-3560,PET+GF30%,FR		SNA	
8.4-2-1	JC61-01213A	BRACKET-P-FUSER;ML-3560,SECC,T1.2,35.5,4		SNA	
8.4-2-2	JC66-00426B	GEAR-IDLE 23;ML-3560,HTNFR,1.0,23,8,BLAC	G0199	SA	
8.4-2-3	JC66-00869A	GEAR-M-IDLE 25;ML-3560,POM,1,25,-,WHT,27		SNA	
8.4-3	JC97-02223A	MEA UNIT-FUSER_LOWER;ML-3560,XEROX,USA,M		SNA	
8.4-3-1	JC66-00931A	ROLLER-PRESSURE;ML-3560,STKM+LTV+PFA TUB	K4222	SA	
8.4-3-2	JC61-01261A	BUSH-M-PR;ML-3560,PPS,RBA313N,iE8.3,-,13S		SNA	
8.4-3-3	6107-001253	SPRING-CS;SUS304,GRINDING,PI1.6,D9,L15.2		SNA	
8.4-3-4	JC63-00725A	COVER-M-FU_LOWER_OPEN;ML-3560,PET+GF30%,		SNA	
8.4-3-5	JC66-00880A	LEVER-P-RELEASE_L;ML-3560,SECC,T1.6,-,89		SNA	
8.4-3-6	6107-001172	SPRING-CS;SUS304,-,PI0.5,D6.7,L17.5,-,-,		SA	
8.4-3-7	JC67-00102A	CAP-M-FUSER LOCK;ML-3560,PC, NH-1023XD,T		SNA	
8.4-3-8	JC66-00881A	LEVER-P-RELEASE_R;ML-3560,SECC,T1.6,43.4		SNA	
8.4-3-9	JC61-01214A	HOLDER-M-PR SHAFT;ML-3560,PPS, RBA313N,T		SNA	
8.4-3-10	JC63-00683A	GROUND-P-HR;ML-3560,SUS304,T0.2,13.3,51.		SNA	
8.4-3-11	JC61-70903A	SPRING ETC-ACTUATOR;ML-165,SUS304,PI0.2,	Z4132	SA	
8.4-3-12	JC72-01358A	PMO-ACTUATOR EXIT;ML-3560,PC+GF20%,HF320		SNA	
8.4-3-13	JC67-00103A	CAP-M-ACTUATOR;ML-3560,PC+GF20%,HF3201,T		SNA	
8.4-3-14	6006-001078	SCREW-TAPTITE;WSP,PH,+ ,M3,L10,ZPC(YEL),S		SNA	
8.4-4	JC97-02235A	MEA UNIT-FUSER_GU_R;ML-3560,XEROX,USA,ME		SNA	
8.4-4-1	JC61-01226B	GUIDE-M_REAR;ML-3560,HIPS,2.5,98,100.3,B		SNA	
8.4-4-2	JC72-00382A	PMO-BUSHING TX;ML-6060A,POM M9044,BLK,-,		SNA	
8.4-4-3	JC66-00879A	SHAFT-M-EXIT_F_UP;ML-3560,PC,5V,NH-1035P		SNA	
8.4-4-4	JC66-00854A	GEAR-M-EXIT DUP Z21;ML-3560,POM,1,21,-,W	G0200	SA	
8.4-4-5	JC73-00209A	RUBBER-EXIT_F_UP;ML-3560,EPDM,D17.6X15.5		SNA	
8.4-4-6	JC61-01549A	HOLDER-M REAR_LEVER;ML-3560,PC,NH-1023XD		SNA	
8.5 REGI Assembly					
8.5-0	JC96-03665A	ELA UNIT-REGI;ML-3560,XEROX,-,REGI,-,-,-	K3142	SA	
8.5-1	JC61-00674A	GUIDE-P_REGI LOWER;ML-2150,SECC,1.2,-,-,	G2080	SA	
8.5-2	JC66-00450A	ROLLER-REGI LOWER L;ML-2150,CR,13.85,-,B		SNA	
8.5-3	JC66-00446A	SHAFT-REGI UPPER;ML-2150,SUM22,-,6,-,-,-	Z6227	SA	
8.5-4	JC66-00647A	ROLLER-M_REGI IDLE L25;ML-2150,POM,12.4,	K4220	SA	
8.5-5	JC66-00648A	ROLLER-M_REGI IDLE S25;ML-2150,POM,11.9,	K4221	SA	
8.5-7	6107-001158	SPRING-TS;SUS304-WPB,-,PI0.4,D6.7,-,-,-,		SA	
8.5-8	JC72-00998A	PMO-ACTUATOR REGISHUTTER;ML-2150,ABS G/F	S6005	SA	
8.5-9	JC61-00670A	GUIDE-P_REGI PLATE;ML-2150,SECC,1.2,-,-,	G2081	SA	
8.5-10	JC75-00095A	MEC-BRUSH ANTISTATIC;ML-6060A,SEC,NTR	B5010	SA	
8.5-11	JC61-00669A	BUSH-M-ROLLER REGI U;ML-2150,POM(CE20),6	K2885	SA	
8.5-12	JC66-00420A	GEAR-REGI Z25;ML-2150,M90-44,0.8,25,5,6,	G0415	SA	
8.5-13	JC61-00669A	BUSH-M-ROLLER REGI U;ML-2150,POM(CE20),6	K2885	SA	
8.5-14	6107-001155	SPRING-ES;SWP-B,-,PI0.55,-,L25,-,-,-,OD4		SA	
8.6 Main Motor Assembly					
8.6-0	JC96-03409A	ELA UNIT-MAIN MOTOR;ML-3560,XOG/SEC,USA,	K3140	SA	
8.6-1	JC61-01204A	BRACKET-P-MAIN;ML-3560,SECC,1.2,144.73,2		SNA	
8.6-2	JC31-00040A	MOTOR DC-BLDC MAIN;- ,ML-3560,2.3A,-,-,21	B5013	SA	
8.6-3	6031-001255	WASHER-PLAIN;NYLON,CUTTING,ID5,OD9,T0.5,		SA	
8.6-4	JC66-00867A	GEAR-M-OPC DRV;ML-3560,POM,0.8/0.5,31/11		SNA	
8.6-5	JC66-00864A	GEAR-M-REGI DRV;ML-3560,POM,0.8,31,-,WHT		SNA	

Service: SA(Service Available), SNA(Service not Available)

Draw # (Section-No.)	Parts Code	Description	Qt'y	Service	Remark
8.6-6	JC66-00860A	GEAR-M-RDCN FUSER;ML-3560,POM,1/0.5,29/8		SNA	
8.6-7	JC66-00875A	GEAR-M-FUSER IDLE 1;ML-3560,POM,1,43,-,W		SNA	
8.6-8	JC66-00865A	GEAR-M-RDCN REGI;ML-3560,POM,0.8/0.5,23/		SNA	
8.6-9	JC66-00866A	GEAR-M-RDCN PICK UP;ML-3560,POM,0.8/0.8,		SNA	
8.6-10	JC66-00861A	GEAR-M-MP DRV;ML-3560,POM,0.8,31,-,WHT,2		SNA	
8.6-11	JC66-00862A	GEAR-M-FEED DRV;ML-3560,POM,0.8/0.8,37/4		SNA	
8.6-12	JC66-00873A	GEAR-M-RDCN MP;ML-3560,POM,0.8,19/28,-,W		SNA	
8.6-13	JC66-00874A	GEAR-M-RDCN RETARD;ML-3560,POM,0.8/0.8,1		SNA	
8.6-14	JC66-00863A	GEAR-M-PICK UP DRV;ML-3560,POM,0.8,34,-,		SNA	
8.7 Deve Motor Assembly					
8.7-0	JC96-03408A	ELA UNIT-DEVE MOTOR;ML-3560,XOG/SEC,USA,	K3057	SA	
8.7-1	JC31-00039A	MOTOR DC-BLDC DEVE;-ML-3560,2.0A(MAX.),	B5012	SA	
8.7-2	JC61-01201A	BRACKET-P-DEVE;ML-3560,SECC,1.2,126.5,73		SNA	
8.7-3	JC61-01203A	BRACKET-P-SWING;ML-3560,SECC,1.0,27.0,42		SNA	
8.7-4	JC66-00915A	SHAFT-SWING DEVE;ML-3560,SUM24L+NI,20.6,		SNA	
8.7-5	JC66-00871A	GEAR-M-RDCN DEVE;ML-3560,POM,0.5/0.8,51/		SNA	
8.7-6	JC66-00857A	GEAR-M-SWING;ML-3560,POM,0.8,31,-,WHT,26		SNA	
8.8 Exit Sorenoind Assembly					
8.8-0	JC96-03426A	ELA UNIT-EXIT SOL;ML-3560,XOG/SEC,USA,UN	K3059	SA	
8.8-1	JC61-01205A	BRACKET-P-EXIT;ML-3560,SECC,1.2,82.0,76.		SNA	
8.8-2	JC66-00426B	GEAR-IDLE 23;ML-3560,HTNFR,1.0,23.8,BLAC	G0199	SA	
8.8-3	JC66-00869A	GEAR-M-IDLE 25;ML-3560,POM,1,25,-,WHT,27		SNA	
8.8-4	JC66-40911A	GEAR-DP,IDLE;ML-165,POM,M1.0,Z21,-,WHITE	G0198	SA	
8.8-5	JC66-00100A	GEAR-6;ML-9400W,POM,1,,PCD19,WHITE,,		SNA	
8.8-6	6031-001255	WASHER-PLAIN;NYLON,CUTTING,ID5,OD9,T0.5,		SA	
8.8-7	JC66-00100A	GEAR-6;ML-9400W,POM,1,,PCD19,WHITE,,		SNA	
8.8-8	JC33-00008A	SOLENOID-DUPLEX;-SCX-5312F,-,24VDC,53*3	S8014	SA	
8.8-9	JC61-01202A	BRACKET-P-LINK SWING;ML-3560,SECC,1,2,40		SNA	
8.8-10	JC66-00855A	GEAR-M-SWING DUPLEX;ML-3560,POM,1,19,-,W		SNA	
8.8-11	JC66-00856A	GEAR-M-RDCN EXIT;ML-3560,POM,1/1,27/31,-		SNA	
8.8-12	JC66-00916A	SHAFT-SWING DUPLEX;ML-3560,SUM24L+NI,22.		SNA	
8.9 Cassette Assembly					
8.9-0	JC96-03418B	ELA UNIT-CASSETTE;ML-3560,SEC,-,110V/220	K3055	SA	
8.9-1	JC61-01220B	FRAME-M_CASSETTE;ML-3560,HIPS,HR-1360T,H		SNA	
8.9-2	JC61-01221B	GUIDE-M_HANDLE;ML-3560,ABS,2.5,103.7,396		SNA	
8.9-3	JC64-00189B	INDICATOR-M_EMPTY;ML-3560,ABS,2.5 GRAY,H		SNA	
8.9-4	JC61-01245A	PLATE-P-KNOCK UP;ML-3560,SECC,1.2,279.1,		SNA	
8.9-5	JC61-00455A	SPRING ETC-PLATE K/UP;SCX-5100,SUS304,24	Z4228	SA	
8.9-6	JG66-40003A	GEAR-PINION;SF4000,POM,WHT,M1,Z16	G0367	SA	
8.9-7	JC67-00037A	CAP-M-GUIDE SIDE,L;ML-2150,POM,-,-,BLK	C1014	SA	
8.9-8	JC61-01222A	GUIDE-P-SIDE_L;ML-3560,SECC,1.2,127,129,		SNA	
8.9-9	JC61-01225B	GUIDE-M_SIDE LOCK;ML-3560,ABS,2.5,72.8,1		SNA	
8.9-10	JC61-01244A	GUIDE-P-SIDE_R;ML-3560,SECC,1.2,130,120.		SNA	
8.9-11	JC61-01226B	GUIDE-M_REAR;ML-3560,HIPS,2.5,98,100.3,B		SNA	
8.9-12	JC61-00751A	GUIDE-P-REAR PAPER CST;ML-2060,SUS-301,0	G2088	SA	
8.9-13	JC61-00414A	SPRING ETC-GUIDE PAPER;ML-9400W,SUS304WP	Z4247	SA	
8.9-14	JC61-00267B	GUIDE-M-LOCK A;ML-2150,HIPS,HB,-,-,C75	G2068	SA	
8.9-15	JC61-01226B	GUIDE-M_REAR;ML-3560,HIPS,2.5,98,100.3,B		SNA	
8.9-16	JC61-01224B	GUIDE-M_EXTENSION CST;ML-3560,HIPS,2.5,56,		SNA	
8.9-17	JC61-01223A	BRACKET-P-EXTENTION;ML-3560,SECC,1.2,41,		SNA	
8.9-18	JC61-01230B	GUIDE-M_PAPER;ML-3560,PC/ABS,2.5,48.7,24		SNA	
8.9-19	JC61-01228A	HOLDER-M-PAD_HOUSING;ML-3560,ABS,2.5,48,		SNA	
8.9-20	JC97-02234A	MEA UNIT-HOLDER PAD;ML-3560,XEROX,-,110V	G0469	SA	
8.9-20-1	JC61-01229A	HOLDER-M-PAD;ML-3560,ABS,2.5,12.7,51,BLA		SNA	
8.9-20-2	JC63-00407A	SHEET-HOLDER PAD R2;SCX-4920N,PC,0.125T,		SNA	
8.9-20-3	JC73-00140A	RPR-FRICTION PAD;ML-1510,NBB,1T 8.9*47.5	P0034	SA	
8.9-20-4	JC70-00314A	IPR-PLATE PAD;ML-1710,SUS304-CSP,-,0.1,-	P0009	SA	
8.9-21	JC61-70911A	SPRING ETC-EXIT ROLL FD;ML-165,SUS304 WP	Z4137	SA	
8.9-25	JC72-41210A	PMO-LOCKER PLATE;ML-6000,POM,WHT,HB,-	L6038	SA	
8.9-26	JG61-70531A	SPRING ETC-LOCKER,PLATE;SF6000,STS304WPB	Z4215	SA	
8.9-27	JC61-01227A	GUIDE-M-PAPER SIZE;ML-3560,POM,2.5,71.5,		SNA	
8.10 SCF Unit					
8.10-0	JC96-03423B	ELA UNIT-SCF		411	
8.10-1	JC61-01247B	FRAME-M-SCF		412	
8.10-2	JC63-00688B	COVER-M-RIGHT_SCF		413	
8.10-3	JC63-00687B	COVER-M-LEFT_SCF		414	
8.10-4	JC63-00686A	COVER-M-DUMMY_SCF		415	

Service: SA(Service Available), SNA(Service not Available)

Draw # (Section-No.)	Parts Code	Description	Qt'y	Service	Remark
8.10-5	JC92-01703A	PBA SCF		416	
8.10-6	JB39-40532A	CBF HARNESS-OP		417	
8.10-8	JC61-00804A	BUSH-CABLE		418	
8.10-9	JC39-00357A	CBF HARNESS-SCF INTERFACE		419	
8.10-10	JC33-00012A	SOLENOID-MAIN		420	
8.10-11	JC96-03405A	BRACKET-P-SCF_MOTOR		421	
8.10-11-1	JC61-01219A	BRACKET-P-SCF_MOTOR		422	
8.10-11-2	JC31-00002A	MOTOR STEP-7.5_DEG		423	
8.10-11-3	JC66-00885A	GEAR-M SCF-RDCN RETARD		424	
8.10-11-4	JC66-00886A	GEAR-M SCF_RDCN FEED		425	
8.10-11-5	JC66-00884A	GEAR-M SCF_RDCN PICK UP		426	
8.10-12	JB39-40532A	CBF HARNESS-OP		427	
8.10-13	JC70-00464A	IPR-GROUND SPRING_FEED		428	
8.10-14	JC72-41191B	PMO-BEARING-SHAFT		429	
8.10-15	JC47-00009B	MEP-CLUTCH FEED SCF		430	
8.10-16	6044-000125	RING-E		431	
8.10-17	JC66-00441A	SHAFT-M-COUPPLING RETARD S		432	
8.10-18	JC66-00890A	SHAFT-M-GEAR_RETARD		433	
8.10-19	JC66-00420A	GEAR-REGI Z25		434	
8.10-20	JC71-00042A	BAR-P_CROSS BOTTOM		435	
8.10-21	JC72-01355A	PMO-REMOVE_LOCK_CST		436	
8.10-22	JC96-03424A	ELA UNIT-RETARD SCF		437	
8.10-22-1	6044-000231	RING-E		438	
8.10-22-2	6107-001157	SPRING-TS		439	
8.10-22-3	JC61-00013A	SPRING ETC-PAD		440	
8.10-22-4	JC61-00635A	HOUSING-M-RETARD		441	
8.10-22-5	JC61-00638A	HOLDER-M-RETARD		442	
8.10-22-6	JC61-00652A	BUSH-M-RETARD		443	
8.10-22-7	JC66-00590A	SHAFT-RETARD		444	
8.10-22-8	JC66-00591A	SHAFT-HUB IN		445	
8.10-22-9	JC72-00993A	PMO-HUB OUT RETARD		446	
8.10-22-10	JC72-00994A	PMO-HUB IN RETARD		447	
8.10-22-11	JC61-01246A	FRAME-M-RETARD_SCF		448	
8.10-22-12	JC73-00207A	RUBBER-RETARD		449	
8.10-23	JC72-01360A	PMO-M DUMMY-SCF_LEFT		450	
8.10-24	JC72-01363A	PMO-M DUMMY-SCF_RIGHT		451	
8.10-25	JC66-00914A	SHAFT-PICK UP_SCF		452	
8.10-26	JC66-00913A	SHAFT-FEED1_SCF		453	
8.10-27	JC92-01686A	PBA SCF COVER OPEN		454	
8.10-28	JC96-02127A	ELA HOU-CSTSENSOR HAWK1		455	
8.10-29	0604-001095	PHOTO-INTERRUPTER		456	
8.10-30	JC72-00992A	PMO-ACTUATOR EMPTY,SCF		457	
8.10-31	JC66-00534A	GEAR-SCF PICK_UPCAM		458	
8.10-32	JC61-40001A	FOOT-ML80		459	
8.10-33	JC70-11028A	IPR-GROUND TOP		460	
8.10-34	JC97-02233A	MEA UNIT-PICK UP HOU		461	
8.10-34-1	JC72-01361A	PMO-M IDLE-PICK UP		462	
8.10-34-2	JC73-00223A	RUBBER-PICK UP		463	
8.10-34-3	JC61-01238A	RUBBER-PICK UP		464	
8.10-35	JC72-00382B	PMO-BUSHING FEED		465	
8.10-36	JC72-01364A	PMO-M DUMMY_SHAFT		466	
8.10-37	6107-001214	SPRING-ES		467	
8.10-38	JC81-03458A	AS-FEED1 ROLLASS'Y		468	
8.10-38-1	JC61-01237A	HUOUSIN-M_FEED1		469	
8.10-38-2	JC73-00208A	RUBBER-FEED1		470	
8.10-40	JC39-00355A	CBF HARNESS-MOTOR		471	
8.10-41	JC39-00446A	CBF HARNESS-SCF EMPTY		472	
8.10-42	JC39-00447A	CBF HARNESS-SCF CASSETTE		473	
8.10-43	JC39-00448A	CBF HARNESS-SCF P-SIZE		474	
8.11 Duplex Unit					
8.11-0	JC96-03412B	ELA UNIT-DUPLEX		475	
8.11-1	JC61-01254A	FRAME-M-DUPLEX		476	
8.11-2	JC61-01255A	GUIDE-M-UPPER_DUP		477	
8.11-3	JC63-00693B	COVER-M-REAR_DUP		478	
8.11-4	JC61-01256A	GUIDE-M-ALIGN_DUP		479	
8.11-5	JC67-00107A	CAP-M-CONNECTOR_DUP		480	
8.11-6	JC67-00106A	DUCT-M-FAN_DUP		481	
8.11-7	JC31-00004A	FAN-DC_HAWK		482	
8.11-8	JC92-01679A	PBASUB-DPX_SCF		483	
8.11-9	6502-000132	CABLE CLAMP		484	

Service: SA(Service Available), SNA(Service not Available)

Draw # (Section-No.)	Parts Code	Description	Qt'y	Service	Remark
8.11-10	JC70-00512A	IPR-TERMINAL GND_DUP		485	
8.11-11	JC64-00191A	LOCKER-M-DUP		486	
8.11-12	JC63-00706A	SHEET-FRAME_DUP		487	
8.11-13	6107-001165	SPRING-TS		488	
8.11-14	JC72-01366A	PMO-ACTUATOR FEED DUP		489	
8.11-15	JC92-01362A	PBA SUB-MPSEN		490	
8.11-16	JB39-00103A	CBF HARNESS-POWER GND		491	
8.11-17	JC31-00009A	MOTOR STEP		492	
8.11-18	JC61-01257A	BRACKET-P-MOTOR_DUP		493	
8.11-19	JC66-00897A	PULLEY-M-30_DUP		494	
8.11-20	6602-001084	BELT-TIMING GEAR		495	
8.11-21	JC66-00898A	PULLEY-M-30-DUMMY_DUP		496	
8.11-22	6044-000231	RING-E		497	
8.11-23	JC39-00450A	CBF HARNESS-D_JOINT		498	
8.11-24	JC66-00444A	SHAFT-IDLE ROLL, DUP		499	
8.11-25	JC66-00896A	ROLLER-M-IDLE_DUP		500	
8.11-26	JK72-00058A	PCT-SILP WASHER		501	
8.11-27	JC61-01277A	SPRING ETC-DUP		502	
8.11-28	JC66-00900A	PULLEY-M-18-DUMMY_DUP		503	
8.11-29	JC66-00899A	PULLEY-18_DUP		504	
8.11-30	JC61-00665A	BUSH-M-FEED, DUP		505	
8.11-31	JC66-20901A	BELT-TIMMING		506	
8.11-32	JC66-00901A	ROLLER-FEED_DUP		507	
8.11-33	6044-000107	RING-C		508	
8.11-34	JC70-00457A	ICT-STUD PAPER GUIDE, DP		509	
	6003-000269	SCREW-TAPTITE;BH,+,-,S,M3,L6,ZPC(YEL),SW	F1017	SA	
	6003-001256	SCREW-TAPTITE;BH,+,-,B,M4,L10,NI PLT,SWRCH		SNA	
	JC68-00761A	MANUAL-REGISTER(US);COMMON,SEA,ENGLISH,U		SNA	
	JC68-01613A	MANUAL-QIG;ML-3560,SAMSUNG,14LANGUAGE,-,		SNA	
	JC69-00817A	BOX(P)-MAIN KESTREL;ML-3560,DW,A-1,-,-,-		SA	
	JC96-01815D	ELA ETC-SUBSIDIARY;ML-2150,SEC,110V,-,-,		SNA	
	JC96-03404A	ELA HOU BASE-FRAME;ML-3560,XEROX,-,110V/		SNA	
	JC96-03627A	ELA HOU-SMPS_HVPS_V1;ML-3560,XEROX,-,110		SA	
	JC99-01868A	PAA WOOD-PACKING;ML-3560,SEC,-,PACKING M		SNA	
	JC99-01869A	PAA WOOD-LABEL;ML-3560,SEC,LABEL,-,-,-		SNA	
	JC99-01915A	INA-ACCESSORY_XAA;ML-3560,SAMSUNG,XAA,-,		SNA	
	0105-000101	PAPER-ART;75G,W216,-,WHITE,XEROX 3R2047,		SNA	
	0202-000008	SOLDER-WIRE;HI-FLO,3.0,-,D3.0,63SN/37PB,		SNA	
	0202-000137	SOLDER-WIRE FLUX;KR-19 RMA SF,-,D0.7,60S		SNA	
	0202-001025	FLUX;KS-611,-,-,-,SPRAY		SNA	
	0203-000007	TAPE-FILAMENT;3M,T0.15,W18,L55M,TRP		SNA	
	0203-001100	TAPE-OPP MASKING;OPP/W75/CLR,T0.05,W75,L		SNA	
	0204-000469	THINNER;#4662,-,0.795,-		SNA	
	0205-001003	GREASE-BEARING;NYOGEL788,DAMPING GREASE,		SNA	
	0502-001048	TR-POWER;KSD1691,NPN,1.3W,T0-126,BK,160		SA	
	2401-000880	C-AL;220uF,20%,50V,WT,TP,10x16mm,5m		SA	
	2401-001185	C-AL;33uF,20%,35V,GP,TP,5x11,5		SNA	
	2801-003376	CRYSTAL-UNIT;0.032768MHZ,20PPM,28-AA,Y,12		SNA	
	2801-003886	CRYSTAL-UNIT;12MHz,50ppm,28-AAA,16pF,50o		SNA	
	3702-000118	CONNECTOR-RIBBON;36P,FEMALE,ANGLE,AU		SNA	
	3702-001158	CONNECTOR-RIBBON;60,FEMALE,STRAIGHT,AU		SA	
	3709-001131	CONNECTOR-CARD EDGE;100P,1.27MM,STRAIGHT		SNA	
	3711-002000	HEADER-BOARD TO CABLE;BOX,18P,2R,2mm,STR		SNA	
	3711-002807	HEADER-BOARD TO CABLE;BOX,6P,1R,2mm,STRA		SNA	
	3711-002808	HEADER-BOARD TO CABLE;BOX,7P,1R,2mm,STRA		SNA	
	3711-002809	HEADER-BOARD TO CABLE;BOX,8P,1R,2mm,STRA		SA	
	3711-002811	HEADER-BOARD TO CABLE;BOX,10P,1R,2mm,STR		SNA	
	3711-003981	HEADER-BOARD TO CABLE;BOX,28P,2R,2mm,STR		SA	
	3722-000124	JACK-DIN;8P,-,AU,BLK,-		SNA	
	3722-002303	JACK-USB;4P/1C,AU30U,BLK,ANGLE,B TYPE		SA	
	3903-000085	CBF-POWER CORD;DT,US,BP3/YES,I(IEC C13/C		SA	
	6001-000130	SCREW-MACHINE;BH,+,-,M3,L6,ZPC(WHT),SWRCH1	-	SA	
	6001-000568	SCREW-MACHINE;PH,+,-,M3,L8,NI PLT,SWRCH18A		SA	
	6002-000440	SCREW-TAPPING;RWH,+,-,2,M3,L8,ZPC(BLK),SWR		SA	
	6003-000264	SCREW-TAPTITE;PWH,+,-,B,M3,L6,ZPC(YEL),SWR		SNA	
	6003-000266	SCREW-TAPTITE;PWH,+,-,S,M3,L6,ZPC(YEL),SWR		SNA	
	6003-000301	SCREW-TAPTITE;BH,+,-,S,M4,L6,ZPC(YEL),SWRC		SNA	
	6006-001193	SCREW-MACHINE;WSP,PH,+,-,M3,10,ZPC(YEL),SW		SNA	
	6021-001194	NUT-SQUARE;-,-,M3,PASS,SWCH+ZN COATING,SQU		SNA	
	6044-000001	RING-CS;ID3,OD3,T0.25,BLACK,SUS304	D4088	SNA	
	6107-001170	SPRING-TS;SWP-B,-,PI0.9,D6.0,-,-,-,ID5.2		SA	

Service: SA(Service Available), SNA(Service not Available)

Draw # (Section-No.)	Parts Code	Description	Qt'y	Service	Remark
	6902-000288	BAG PE;LDPE,T0.05,W250,L450,TRP,8,2-		SNA	
	6902-000321	BAG PE;HDPE,T0.015,W800,L1300,TRP,28,6M-		SNA	
	JB68-00072A	LABEL(R)-BAR RIBON;SF-3000,PY,80X91000,T		SNA	
	JB68-00073A	LABEL(R)-BAR CODE;SF-3000,PY,38X6.5,T0.1		SNA	
	JB68-00916A	LABEL RATING-BLANK;SF-340,SEC,TETRON,0.0		SNA	
	JC31-00027A	FAN-DC_HUMMINGBIRD;-;ML-1710,-,-,-	F5019	SA	
	JC31-00046A	FAN-SMPS;AD0305HB-K91,ML-3560,-,-,-	F5020	SA	
	JC39-00435A	CBF HARNESS-SMPS;ML-3560,CBF,UL 1061,28P	H1255	SA	
	JC39-00437A	CBF HARNESS-CART;ML-3560,CBF,UL 1061,14P	H1243	SA	
	JC39-00438A	CBF HARNESS-DEV MOTOR;ML-3560,CBF,UL 106	H1246	SA	
	JC39-00445A	CBF HARNESS-DC_MOTOR;ML-3560,CBF,UL 1061	H1245	SA	
	JC46-00244A	S/W APPLICATION-CD;-;ML-3560_DRV,1.00,1		SNA	
	JC61-01211A	GUIDE-P-TRANSFER;ML-3560,SECC,0.6,242,64		SNA	
	JC61-01243A	HOLDER-M-PICK_UP;ML-3560,POM,1.5,16,26.7		SNA	
	JC61-01553A	BRACKET-P-FAN_SMPS;ML-3560,SECC,T1.2,22.		SNA	
	JC61-01611A	HOLDER-P-DAMPER;ML-3560,SECC,1.6,25,32.1	P2063	SA	
	JC61-70915A	SPRING ETC-SOLENOID DP;ML-165,SUS304-WPB	S8015	SA	
	JC62-00157A	INSULATION-SMPS;ML-3560,PC,0.43,W219,L25		SNA	
	JC63-00459A	SHEET-SCAN LOWER;SCX-4100,PET,T0.188,-,-		SNA	
	JC63-00675A	GROUND-P-PAPER_SIZE;ML-3560,C5210P,T0.2,		SNA	
	JC63-00707A	SHEET-SMPS_SMALL;ML-3560,PC,0.4T,6.2,51.		SNA	
	JC63-00875A	GROUND-P-BRUSH;ML-3560,C5210P,T0.2,14.4,		SNA	
	JC63-00911A	SHEET-GUIDE PATH;ML-3560,PC,T0.254,21,84		SNA	
	JC64-00190B	KNOB-M_REAR;ML-3560,HIPS,2.5,24.7,44.7,H		SNA	
	JC66-00377A	CAM-M-PICK_UP;ML-1710,POM(DELIN 8903)-,-	P2042	SA	
	JC66-00852A	GEAR-M-FEED 2;ML-3560,POM,0.8,27,-,BLK,2		SNA	
	JC66-00853A	GEAR-M-RETARD IDLE;ML-3560,POM,0.8,18,-,-		SNA	
	JC66-00877A	LEVER-M-BRACKET_SWING;ML-3560,POM M90-44		SNA	
	JC66-01151A	DAMPER-PICK UP;ML-3560,NBR,-,19,13,7,20.		SNA	
	JC68-00573A	LABEL(R)-BARCODE;ML-4500,PET,T0.05,10mm,		SNA	
	JC68-00690A	MANUAL-(CARD)WARRANTY CARD;ML-1210,XEU,E		SNA	
	JC68-00761B	MANUAL-REGISTRATION CARD;COMMON,XAC,FREN		SNA	
	JC68-00761C	MANUAL-SERVICE CARD;COMMON,XAC,FRENCH,CA		SNA	
	JC68-00761D	MANUAL-REGISTRATION;COMMON,XAA,FRENCH,CA		SNA	
	JC68-01552A	LABEL(R)-CASSETTE;COMMON,SAMSUNG,WHITE P		SNA	
	JC68-01584A	LABEL(P)-BLANK 90*25;CLP-510,SEE,ART 100	S3062	SA	
	JC68-10932A	LABEL(P)-BLANK(ML);ML-85,ART,70X60,G100		SNA	
	JC68-30587A	LABEL(R)-CUSTOMER;COMMON,PE,-,T0.075,-,-,		SNA	
	JC69-00749A	CUSHION-MAIN KESTREL;ML-3560,EPS,-,-,-,-		SA	
	JC69-00860A	CUSHION-SCF IN;ML-3560,PE FOAM,-,15,255.		SNA	
	JC72-00463A	PMO-CAP CONNECTOR L;ML-6060A,POM,BLACK,-	Z0013	SA	
	JC72-00465A	PMO-CAP CONNECTOR U;ML-6060A,POM,BLACK,-	Z0014	SA	
	JC72-01354A	PMO-DUMMY-PATH;ML-3560,PC,BLK,190.9*51.2	Z0017	SA	
	JC73-00141A	RPR-PAD CASSETTE;ML-1510,URETHANE SPONGE	C4019	SA	
	JC92-01516A	PBA SUB-PTL2;ML-2150,SEC,KOREA,PTL2,-,-,-	M0411	SA	
	JC94-00873A	PHANTOM AU JC92-01657C		SNA	
	JC96-01579A	ELA HOU-MOTOR GND;SF-5100,HANSUNG,100Moh	Z2265	SA	
	JC96-03376A	ELA UNIT-DEVE KIT;ML-3560,SAMSUNG,-,6K,-		SNA	
	JC96-03656A	ELA UNIT-200MOHM;ML-3560,SEC,200MOHM,-,-		SNA	
	JC97-02388B	MEA UNIT-COVER RIGHT;ML-3560,SEC,-,110V//	E4064	SA	
	JC97-02389B	MEA UNIT-COVER DUMMY;ML-3560,SEC,-,110V//	E4061	SA	
	JF68-10532B	LABEL(P)-BAR CODE;CLP-500,-,YUPO PAPER,1		SNA	
	JK75-10008A	MEC-BARCODE;ECR,-,BLK		SNA	
	0105-001032	PAPER-ART;-;W210,-,WHITE,HANSOL,L297		SNA	
	0201-001183	ADHESIVE-AA;ARON ALPHA #202F,NTR,100,20G		SNA	
	0201-001235	ADHESIVE-TS;DEH-390D,RED,400,-		SNA	
	0202-000108	SOLDER-CREAM;RMA-20-21L,-,20~38 \$-.62.8SS		NA	
	0203-001235	TAPE-PAPER;YW-692,T0.15,W5.8,L4000M,-		SNA	
	0203-001236	TAPE-PAPER;YW-4620,T0.12,W6.2,L4000M,-		SNA	
	0205-001059	GREASE-BEARING;PETAMO GHV 133,BEIGE,15KG		SNA	
	0205-001067	GREASE-GRAPHITE;NYOGEL 756G,HYDRO CARBON		SNA	
	0205-001080	GREASE-BEARING;NYOGEL 774H,NOISE DAMPING		SNA	
	0403-000433	DIODE-ZENER;ZPU150,130-165V,1300MW,DO-41		SA	
	0403-000716	DIODE-ZENER;MTZJ4.7B,4.59-4.77V,500MW,DO		SNA	
	0403-001440	DIODE-ZENER;1N5956BRL/BZY97-C200,188-212		SNA	
	0404-000112	DIODE-SCHOTTKY;RB420D,40V,100MA,SOT-23,T		SA	
	0407-000122	DIODE-ARRAY;KDS226,80V,300mA,C2-3,SOT-23		SA	
	0501-000342	TR-SMALL SIGNAL;KSC1623-Y,NPN,200mW,SOT-		SA	
	0604-000165	PHOTO-INTERRUPTER;TR,-,-,-,BK	K3805	SA	
	0604-001210	PHOTO-INTERRUPTER;TR,-,200mW,DIP-4,ST		SNA	
	0801-000794	IC-CMOS LOGIC;7S08,AND GATE,SOT-25,5,63M		SA	

Service: SA(Service Available), SNA(Service not Available)

Draw # (Section-No.)	Parts Code	Description	Qt'y	Service	Remark
	0904-001989	IC-USC;ISP1582BS,-,HVQFN56,56P,8X8X0.85M		SA	
	1006-001224	IC-LINE TRANSCEIVER;74LVX161284,TSSOP,48		SA	
	1105-001357	IC-DRAM;K4S281632,4X2MX16BIT,TSOP(II),54		SA	
	1107-001549	IC-FLASH MEMORY;K9F5616U0C,16MX16BIT,TSO		SA	
	1202-000164	IC-VOLTAGE COMP.;393,SOP,8P,150MIL,DUAL,		SA	
	1203-002233	IC-RESET;XC61F,SOT-23,3P,-,PLASTIC,0.7/1		SNA	
	1203-003739	IC-DC/DC CONVERTER;MVP31,DFN,12P,4X3MM,		SNA	
	1205-002339	IC-CLOCK GENERATOR;CY25811SC,SOIC,8P,150		SA	
	2007-000070	R-CHIP;0ohm,5%,1/10W,TP,1608		SA	
	2007-000071	R-CHIP;22ohm,5%,1/10W,TP,1608		SA	
	2007-000076	R-CHIP;330ohm,5%,1/10W,TP,1608		SA	
	2007-000082	R-CHIP;3.3Kohm,5%,1/10W,TP,1608		SA	
	2007-000084	R-CHIP;4.7Kohm,5%,1/10W,TP,1608		SA	
	2007-000086	R-CHIP;5.6Kohm,5%,1/10W,TP,1608		SA	
	2007-000094	R-CHIP;22Kohm,5%,1/10W,TP,1608		SA	
	2007-000105	R-CHIP;200Kohm,5%,1/10W,TP,1608		SA	
	2007-000106	R-CHIP;220Kohm,5%,1/10W,TP,1608		SA	
	2007-000107	R-CHIP;470Kohm,5%,1/10W,TP,1608		SA	
	2007-000109	R-CHIP;1Mohm,5%,1/10W,TP,1608		SA	
	2007-000113	R-CHIP;33ohm,5%,1/10W,TP,1608		SA	
	2007-000123	R-CHIP;1.5Kohm,5%,1/10W,TP,1608		SA	
	2007-000309	R-CHIP;10ohm,5%,1/10W,TP,1608		SA	
	2007-000965	R-CHIP;5.1Kohm,5%,1/10W,TP,1608		SA	
	2007-001002	R-CHIP;510ohm,5%,1/10W,TP,1608		SA	
	2007-001044	R-CHIP;56ohm,5%,1/10W,TP,1608		SNA	
	2007-001139	R-CHIP;7.5Kohm,1%,1/10W,TP,1608		SNA	
	2007-002901	R-CHIP;12.1Kohm,1%,1/10W,TP,1608		SA	
	2007-007239	R-CHIP;31.6Kohm,1%,1/10W,TP,1608		SA	
	2007-007521	R-CHIP;14.7Kohm,1%,1/10W,TP,1608		SA	
	2007-008371	R-CHIP;280KOHM,1%,1/10W,TP,1608		SNA	
	2007-008567	R-CHIP;15.4KOHM,1%,1/10W,TP,1608		SNA	
	2011-000002	R-NET;22OHM,5%,1/16W,L,CHIP,8P,TP,3216		SA	
	2011-000651	R-NET;10ohm,5%,1/16W,L,CHIP,8P,TP,3216		SA	
	2011-001011	R-NET;10Kohm,5%,1/16W,L,CHIP,8P,TP,3.2x1		SNA	
	2011-001334	RC-NETWORK;1K/5.1K/39ohm,10%,150pF,-,6V,		SNA	
	2203-000041	C-CER,CHIP;0.01nF,0.25pF,50V,C0G,1608		SA	
	2203-000257	C-CER,CHIP;10nF,10%,50V,X7R,1608		SA	
	2203-000384	C-CER,CHIP;0.015nF,5%,50V,C0G,1608		SA	
	2203-000426	C-CER,CHIP;0.018nF,5%,50V,C0G,1608		SA	
	2203-000491	C-CER,CHIP;2.2nF,10%,50V,X7R,TP,1608,-		SA	
	2203-005249	C-CER,CHIP;100nF,10%,50V,X7R,TP,1608,-		SNA	
	2203-006474	C-CER,CHIP;2200nF,20%,6.3V,X5R,2012		SA	
	2203-006646	C-CER,CHIP;1000nF,10%,6.3V,X5R,2012		SA	
	2402-001042	C-AL,SMD;100uF,20%,16V,GP,TP,6.6x6.6x5.4		SA	
	2402-001049	C-AL,SMD;10uF,20%,16V,GP,TP,3.3x3.3x5.4		SA	
	2503-001023	C-NETWORK;47PFx4,10%,50V,3216		SNA	
	2703-002055	INDUCTOR-SMD;2.2UH,20%,6363		SNA	
	2901-001178	FILTER-EMI SMD;25V,2A,-,100000pF,2x1.25x		SA	
	3301-000317	BEAD-SMD;120ohm,2012,TP,-,-		SA	
	3301-000325	BEAD-SMD;60ohm,3.2x2.5x1.3mm,400mA,TP,,,		SNA	
	3405-001048	SWITCH-MICRO;125V,5A,64gf,SPDT		SA	
	3405-001073	SWITCH-MICRO;125V,5A,40GF,SPDT		SNA	
	3711-002810	HEADER-BOARD TO CABLE;BOX,9P,1R,2mm,STRA		SNA	
	3711-003408	HEADER-BOARD TO CABLE;BOX,2P,1R,2mm,STRA		SNA	
	3711-003409	HEADER-BOARD TO CABLE;BOX,3P,1R,2mm,STRA		SNA	
	3711-003969	HEADER-BOARD TO CABLE;BOX,2P,1R,2.5mm,ST		SNA	
	3711-004487	HEADER-BOARD TO BOARD;BOX,80P,2R,0.8MM,S		SA	
	3711-005861	HEADER-BOARD TO BOARD;BOX,40P,2R,0.8MM,S		SA	
	6003-000282	SCREW-TAPTITE;BH,+B,M3,L8,ZPC(BLK),SWCH		SA	
	6107-001160	SPRING-TS;SUS304,-,PI0.45,D5.45,L19.8,-,		SA	
	6902-000664	BAG CONDUCTIVE;LLDPE,T0.1,W420,L400,BLK,		SNA	
	JB39-00128A	CBF HARNESS-P1284 FG;SF-430,UL1007,#18,1	H1192	SA	
	JC02-00044A	TONER-GRINDED;ML-3560,TUFTONE YK-5,-,8.1		SNA	
	JC13-00028A	IC ASIC-SPGPV3;SPGPV3,ML-2550_VE,496PIN,		SA	
	JC39-00465A	CBF HARNESS-EXIT;ML-3560,CBF,UL 1061,3PI	H1247	SA	
	JC39-00478A	CBF HARNESS-FUSEROPEN;ML-3560,CBF,UL 106	H1250	SA	
	JC39-00479A	CBF HARNESS-FEED;ML-3560,CBF,UL 1061,3PI	H1248	SA	
	JC41-00068B	PCB-FUSER SWITCH;ML-3560,FR-1,1LAYER,-,1		SNA	
	JC41-00143A	PCB-MOTOR GND;ML-1210,FR-1,1L,-,1.6T,39		SNA	
	JC41-00178A	PCB-PTL2 B'D;ML-2150,FR-1,1LAYER,-,1.6T,		SNA	
	JC41-00271A	PCB MAIN-MAIN;ML-3560,FR-4,6L,-,1.6T,154		SNA	

Service: SA(Service Available), SNA(Service not Available)

Draw # (Section-No.)	Parts Code	Description	Qt'y	Service	Remark
	JC61-00026A	SPRING ETC-TS-CHARGE APOLLO;SF-5100,SUS3		SNA	
	JC61-00033A	SPRING ETC-ARM. L;ML-6060,SWP-B,-,-,8.		SNA	
	JC61-00034A	SPRING ETC-ARM. R;ML-6060,SWP-B,-,-,8.		SNA	
	JC61-00391A	SPRING ETC-DUPLEX COVER;ML-9400W,SUS304W	Z4169	SA	
	JC61-01185A	FRAME-M-DEV LOWER;ML-3560,ABS+GF20,-,HB,		SNA	
	JC61-01187A	BRACKET-P-DEV LOWER;ML-3560,SECC,T0.8,24		SNA	
	JC61-01188A	BRACKET-P-COUPLER;ML-3560,SPCC+NI,1.2T,1		SNA	
	JC61-01191A	FRAME-M-DEV CLEAN;ML-3560,ABS+GF20,-,HB,		SNA	
	JC61-01194A	PLATE-M-DEV R;ML-3560,ABS,T2,20.9,54.69,		SNA	
	JC61-01196A	HOLDER-DEV;ML-3560,LDPE,2,8,317,RED,-		SNA	
	JC61-01579A	HOLDER-P-REGI;ML-3560,BRONZE SINTERED,-,		SNA	
	JC61-70927A	SPRING ETC-DEV L;ML-7000,-,D0.6,-,5.6,20		SNA	
	JC61-70929A	SPRING ETC-HV LARGE;ML-5000A,SUS304-WPB,	Z4197	SA	
	JC62-00090A	SEAL-FRAME LOWER;ML-1710,URETHAN FORM,-		SNA	
	JC62-00137A	SEAL-FRAME LOWER R2;SCX-4920N,URETHAN FO		SNA	
	JC62-00141A	SEAL-DAMPER;SCX-6320F,PORON(LE20),BLK,5T		SNA	
	JC62-00160A	SEAL-DEV;ML-3560,FELT+PORON,-,T2.5,5.2,3		SNA	
	JC63-00076A	COVER-WINDOW SF-530;SF-530,PVC FILM,T0.	M0402	SA	
	JC63-00111A	COVER-M-SHUTTER;ML-2150,ABS,1.5,-,294.1,		SNA	
	JC63-00705A	COVER-M-OP PANEL_SEC;ML-3560,ABS,T2.5,W1		SA	
	JC63-00709A	SHEET-FILM REAR;ML-3560,PET,0.075,11.2,2		SNA	
	JC63-00902A	GROUND-P-PICK UP;ML-3560,C5210P,T0.2,18,		SNA	
	JC65-00007A	TERMINAL_P_PTL 2;ML-2150,PB(C5210P),-,-,	K4273	SA	
	JC66-00535A	SHAFT-OPC;ML-2150,SUS303,-,6,-,-,-		SNA	
	JC66-00844A	GEAR-M COUPLER;ML-3560,POM,0.8,17,16.3,B		SNA	
	JC66-00845A	GEAR-M DEV;ML-3560,POM,0.6,19,6,NTR,13,3		SNA	
	JC66-00846A	GEAR-M SR;ML-3560,POM,0.6,20,7.5,NTR,13,		SNA	
	JC66-00847A	GEAR-M IDLE 28;ML-3560,POM,0.6,28,9.6,NT		SNA	
	JC66-00848A	GEAR-M RDCN AGI;ML-3560,POM,0.6/0.8,49/1		SNA	
	JC66-00849A	ARM-M SHUTTER L;ML-3560,HIPS,HB,5.7,43.7		SNA	
	JC66-00850A	ARM-M SHUTTER R;ML-3560,HIPS,HB,5.7,43.7		SNA	
	JC66-00905A	SHAFT-DEV;ML-3560,SUM24L+NI,280.0,Ø5,-,S		NA	
	JC66-00908A	ROLLER-DEV;ML-3560,NBR,D16,232,-,-,-		SNA	
	JC66-40919A	GEAR-AGITATOR;ML-7000,POM(NW-02),M0.8,Z4		SNA	
	JC67-00033A	CAP-M-SENSOR;ML-2150,HIPS,1.5,21,27,60.3		SNA	
	JC67-00035A	CAP-M-WIRE PTL UPPER;ML-2150,PC(NH-1023)	C1016	SA	
	JC67-00047A	CAP-M_BUSHING ACTUATOR;ML-2150,POM,-,-,-	A0003	SA	
	JC67-00088A	COUPLER-M-DEV;ML-3560,POM,D20,-,NTR,-		SNA	
	JC67-00089A	CAP-M DEV R;ML-3560,PC,T2.5,52.07,50.89,		SNA	
	JC67-00091A	CAP-M DEV L;ML-3560,PC,T2.5,36.62,25.91,		SNA	
	JC68-00274A	LABEL(R)-RIBBON;SF-5100,100,-,-,BLK,,,,		SNA	
	JC68-00408A	LABEL(R)-LV FUSER;COMMON,PVC,-,110V,-,,,		SNA	
	JC68-01134A	LABEL(P)-BLANK(FUSER);ML-1710D3,-,WHITE		SNA	
	JC68-01525A	LABEL(R)-SEAL(DEVE);COMMON,-,TETRON,0.2T		SNA	
	JC68-01541A	MANUAL-TONER INSTALL;COMMON,SEC,-,-,ART1		SNA	
	JC68-01581A	LABEL(P)-CAUTION HOT;COMMON,SAMSUNG,PET,		SNA	
	JC68-10209B	LABEL(P)-PACK DEVE;ML-85,ART,34*84,G100,		SNA	
	JC68-10914D	LABEL(P)-SERIAL NO;ML-85,ART,70X15,G100,		SNA	
	JC70-40912A	ICT-SHAFT HV LARGE;ML-5000A,SWCH18A,-,¥+	S4027	SA	
	JC72-00288A	PPR-SPACER DR;SF-5100,PET FILM, T0.1,-,-		SNA	
	JC72-00398A	PPR-FILM OPC;ML-6060,URETHANE,NTR,0.2T,-		SNA	
	JC72-00995A	PMO-STACKER LOCKER;ML-2150,PC,-,-,0810P,	L6053	SA	
	JC72-01302A	PMO-M-FLEXIBLE COUPLE;SCX-6320F,POM(M90-		SNA	
	JC72-01373A	SPONGE-COVER_R;ML-3560,POLYURETHANE,-,5,		SNA	
	JC72-01374A	SPONGE-COVER DUMMY;ML-3560,POLY URETHANE		SNA	
	JC72-40232A	PMO-CAP AGITATOR;ML-80,PP,BLK,-,-,-	F6162	SA	
	JC73-00046A	RPR-SEAL CLEAN L;ML-6060,TEFLON FELT,8.5		SNA	
	JC73-00047A	RPR-SEAL CLEAN R;ML-6060,TEFLON FELT,8.5		SNA	
	JC73-00053A	RPR-SEAL CLEAN SUB;ML-6060,URETHANE,5*9.		SNA	
	JC73-00101A	RPR-SEAL CLN BRKT;ML-6060,URETHANE FOAM,		SNA	
	JC73-10017A	RPR-SEAL_BLOCK;ML-80,POLYURETHANE FOAM,T		SNA	
	JC73-10937A	RPR-SEAL FRAME;ML-7000,URETHANE FOAM,13*		SNA	
	JC75-10965A	MEC-ROLLER_SUPPLY;ML-7000,SEC,-,-,-,-,-		SNA	
	JC92-01475A	PBA MAIN-PTL1;ML-2150,SEC,KOREA,PTL1 B'D	M0248	SA	
	JC92-01477A	PBA MAIN-DEV;ML-2150,SEC,KOREA,DEV B'D,-		SNA	
	JC94-00861A	PHANTOM AU JC92-01704A		SNA	
	JC94-00865A	PHANTOM AU JC92-01512B		SNA	
	JC94-00866A	PHANTOM AU JC92-01262C		SNA	
	JC94-00868A	PHANTOM AU JC92-01511B		SNA	
	JC97-01688A	MEA UNIT-HOLDER CR;ML-2150,SAMSUNG,-,CAR		SNA	
	JC97-02212A	MEA UNIT-DRUM;ML-3560,SAMSUNG,-,OPC DRUM		SNA	

Service: SA(Service Available), SNA(Service not Available)

Draw # (Section-No.)	Parts Code	Description	Qt'y	Service	Remark
	JC97-02213A	MEA UNIT-HOPPER;ML-3560,SAMSUNG,-,HOPPER		SNA	
	JC97-02215A	MEA UNIT-DUCT;ML-3560,SAMSUNG,-,DUCT ASS		SNA	
	JC97-02224A	MEA UNIT-BLADE;ML-3560,SAMSUNG,-,DOCTOR		SNA	
	JC97-02225A	MEA UNIT-CLEAN;ML-3560,SAMSUNG,-,CLEANIN		SNA	
	JC97-02227A	MEA UNIT-ROLLER CR;ML-3560,SAMSUNG,-,ROL		SNA	
	JC97-02236A	MEA UNIT-FUSER_BK_G;ML-3560,XEROX,USA,ME		SNA	
	JC97-02237A	MEA UNIT-BUSHING SR;ML-3560,SAMSUNG,-,ID		SNA	
	JC97-02255A	MEA UNIT-PLATE DEV L;ML-3560,SAMSUNG,-,P		SNA	
	JC97-02382A	MEA UNIT-SPACER DR;ML-3560,-,SPACER-M-		SNA	
	JG74-10522A	MPR-RING MAGROLL;SF6000,POLY,ID6.1xOD11.		SNA	
	0201-001162	ADHESIVE-CYA;LOCTITE403,NTR,1250,20G		SNA	
	0203-001189	TAPE-ACETATE;#810.T0.05,W12,L65000,NTR		SNA	
	0205-000005	GREASE-BEARING;EP56,DIAMOND HYDRO FLUID,		SNA	
	0401-000005	DIODE-SWITCHING;1N4148,75V,150MA,DO-35,T		SA	
	0601-000003	LED;ROUND,RED/GRN,3.1MM,650/563NM,3.8X5.		SA	
	0601-001459	LED;ROUND,GRN,3mm,570nm		SA	
	1404-001360	THERMISTOR-NTC ASSY;7KOHM,-,3370K,0.3MW/		SA	
	2001-000019	R-CARBON(S);10OHM,5%,1/2W,AA,TP,2.4X6.4MM		SA	
	2001-000502	R-CARBON;20OHM,5%,1/4W,AA,TP,2.4X6.4MM		SA	
	2007-000074	R-CHIP;100ohm,5%,1/10W,TP,1608		SA	
	2007-000134	R-CHIP;33Kohm,5%,1/10W,TP,1608		SA	
	2007-000539	R-CHIP;200ohm,5%,1/10W,TP,1608		SA	
	2203-000189	C-CER,CHIP;100nF,+80-20%,25V,Y5V,1608		SA	
	3404-000116	SWITCH-TACT;12V,50mA,160gf,6X6X3.6mm,SPS		SA	
	3405-001069	SWITCH-MICRO;125V,5A,30GF,SPDT		SNA	
	3501-000203	RELAY-MINIATURE;5V,200MW,1000MA,1FORMC,6		SA	
	3711-003035	HEADER-BOARD TO CABLE;BOX,14P,2R,2mm,STR		SA	
	3711-003410	HEADER-BOARD TO CABLE;BOX,4P,1R,2mm,STRA		SNA	
	3711-003968	HEADER-BOARD TO CABLE;BOX,3P,1R,2.5mm,ST		SA	
	3711-004349	HEADER-BOARD TO CABLE;BOX,3P,1R,2MM,STRA		SA	
	3711-004379	HEADER-BOARD TO CABLE;BOX,4P,1R,2MM,STRA		SA	
	6107-000103	SPRING-CS;STS304-WPB,DEGRE,PI0.45,D3.45,		SNA	
	6601-001004	BEARING-BALL;DDL-1060ZZ,ID6,OD10,L3,FE-C		SNA	
	JC07-00005A	LCD-PANEL;VHC1625SLYC9-1,ML-2150,16X2,36	L3018	SA	
	JC39-00249A	CBF HARNESS-LCD;ML-2150,WIRE,UL2877,8PIN	H1118	SA	
	JC39-00251A	CBF HARNESS-PANEL;ML-2150,UL 1061,6P	H1193	SA	
	JC39-00464A	CBF HARNESS-COVEROPEN;ML-3560,UL 106	H1244	SA	
	JC41-00175A	PCB-PTL1 B'D;ML-2150,FR-1,1LAYER,-,1.6T,		SNA	
	JC41-00197B	PCB-EMPTY SENSOR;ML-3560,FR-1,1LAYER,-,1		SNA	
	JC41-00288A	PCB-COVEROPEN;ML-3560,FR-1,1LAYER,-,1.6T		SNA	
	JC41-00289A	PCB-JOINT B'D;ML-3560,FR-1,1LAYER,-,1.6T		SNA	
	JC41-00307A	PCB-FEED;ML-3560,FR-1,1LAYER,-,1.6T,11X2		SNA	
	JC41-00308A	PCB-EXIT;ML-3560,FR-1,1LAYER,-,1.6T,45X1		SNA	
	JC47-00010A	LAMP-PTL;90-20-210-167,ML-2150,4.1 X 9.4	L1019	SA	
	JC60-00012A	SPACER-M-DR;ML-3560,POM,-,ID10,OD16.415,		SNA	
	JC61-00631A	HOLDER-M-CR;ML-2150,PC,1.3,-,NTR,-		SNA	
	JC61-01186A	FRAME-M-DEV CAP;ML-3560,HIPS,-,HB,BLK,T2		SNA	
	JC61-01189A	BRACKET-P-BLADE;ML-3560,SPCC+NI PLT,T1.2		SNA	
	JC61-01190A	BRACKET-P-CLEAN;ML-3560,SECC,T1.2,255.5,		SNA	
	JC61-01192A	FRAME-M-DEV DUCT;ML-3560,HIPS,-,HB,BLK,T		SNA	
	JC61-01195A	PLATE-M-DEV L;ML-3560,ABS,T2,15.5,54.69,		SNA	
	JC61-01197A	FRAME-M-HOPPER;ML-3560,HIPS,-,HB,BLK,T2,		SNA	
	JC61-01198A	BUSH-M-SUPPLY;ML-3560,POM,ID4.0,OD6.4,9.		SNA	
	JC61-01578A	PLATE-P-ACTUATOR COVER;ML-3560,SUS304,T0		SNA	
	JC62-00158A	SEAL-HOPPER SIDE;ML-3560,POLYURETHANE FO		SNA	
	JC63-00708A	SHEET-FILM DUCT;ML-3560,PET,0.188,9.5,22		SNA	
	JC63-00724A	COVER-M-SLIDE SENSOR;ML-3560,NYLON+GF25%		SNA	
	JC63-00903A	FELT-CLEAN TONER;ML-3560,ARAMID FIBER,5.		SNA	
	JC65-00002A	TERMINAL-P_PTL L;ML-2060,PB(C5210P),-,	K4274	SA	
	JC65-00003A	TERMINAL-P_PTL R;ML-2060,PB(C5210P),-,	K4275	SA	
	JC66-00435A	GEAR-IDLE CR 17;ML-2150,POM, F20-03,0.6,		SNA	
	JC66-00841A	GEAR-M-TURBINE;ML-3560,POM,0.6,16,16.8,B		SNA	
	JC66-00842A	GEAR-M-OPC MAIN;ML-3560,PC,0.8,40,-,BLK,		SNA	
	JC66-00843A	GEAR-M ID TURBINE;ML-3560,POM,0.6/0.6,16		SNA	
	JC66-00869B	GEAR-M_IDLE 25;ML-3560,RAL4032,1,19,-,YE		SNA	
	JC66-00907A	DRUM-OPC;ML-3560,AL 5N01,-,30.04,255,-,U		SNA	
	JC66-00930A	ROLLER-CHARGE;ML-3560,NBR,D12.2,L232,NTR		SNA	
	JC66-40369A	GEAR-OPC R;ML-80,PC LS1250,M0.6,Z50,-,BL		SNA	
	JC68-01633A	LABEL(P)-HOLD RE OPEN;ML-3560,-,PET,T0.0		SNA	
	JC70-00509A	ELECTRODE-P-DEV;ML-3560,SUS301-CSP,-,26.		SNA	
	JC70-00510A	ELECTRODE-P-SR;ML-3560,SUS301-CSP,-,32.1		SNA	

Service: SA(Service Available), SNA(Service not Available)

Draw # (Section-No.)	Parts Code	Description	Qt'y	Service	Remark
	JC70-00511A	IPR-P-BLADE-DOCTOR;ML-3560,C1720R-1/2HM,		SNA	
	JC70-10989A	IPR-ELECTRODE CHARGE;ML-5000,SUS301 1/2H		SNA	
	JC71-00050A	NPR-EARTH OPC;-ML-2150,C5210P,0.2,-,-,-		SNA	
	JC72-00082A	PMO-BUSHING AGI R;SF-5100,POM,BLK,-,-,-,		SNA	
	JC72-00508A	PMO-HANDLE DEVE;ML-6060,PC,BLK,-,-,HB,-,		SNA	
	JC72-00509A	PMO-HOLDER HANDLE;ML-6060,HIPS,BLK,-,-,H		SNA	
	JC72-01352A	PMO-M TURBINE;ML-3560,ABS,BLK,Ø8, 249.7S		NA	
	JC72-10008A	PPR-FILM_HOPPER;ML-80,PP+PE,-,-,-,-,-,		SNA	
	JC72-40332A	PMO-BUSHING_CHARGE;ML-80,POM,BLK,HB,-		SNA	
	JC73-00225A	RUBBER-IDLE;ML-3560,EP+NR,D=26.8,30,6.5,	C4023	SA	
	JC73-20902B	REX-BLADE CLEAN-B;ML-2150,URETHANE RUBBE		SNA	
	JC73-40906A	RMO-SEAL AGITATOR;ML-5000,SANTOPRENE,-,-		SNA	
	JC94-00288A	PHANTOM AU JC92-01336A		SNA	
	JC94-00467A	PHANTOM AU JC92-01477A		SNA	
	JC94-00862A	PHANTOM AU JC92-01705A		SNA	
	JC94-00894A	PHANTOM AU JC92-01473C		SNA	
	JC96-03653A	ELA UNIT-THERMOSTAT L;ML-3560,SEC,USA,TH	K3145	SA	
	JC96-03654A	ELA UNIT-ELECTRODE R;ML-3560,SEC,USA,ELE	K3058	SA	
	JC96-03722A	ELA UNIT-HEAT 110V;ML-3560,SEC,- FUSER,H		SA	
	JC97-01088A	MEA RACK-BUSHING AGI;ML-6000,SEC,KOR,POM		SNA	
	JC97-02214A	MEA UNIT-AGITATOR;ML-3560,SAMSUNG,-,AGIT		SNA	
	0401-000116	DIODE-SWITCHING;MMSD914T1,100V,200MA,SOD		SNA	
	0402-000129	DIODE-RECTIFIER;1N4003,200V,1A,DO-41,TP		SA	
	0407-000101	DIODE-ARRAY;DA204K,20V,100mA,C2-3,SOT-23		SA	
	0501-000279	TR-SMALL SIGNAL;KSA1182-Y,PNP,150mW,SOT-		SA	
	0501-000457	TR-SMALL SIGNAL;MMBT2222A,NPN,350MW,SOT-		SA	
	1103-001183	IC-EEPROM;24C04,512x8,SOP,8P,5x4mm,2.5/5		SA	
	2001-000281	R-CARBON;100OHM,5%,1/8W,AA,TP,1.8X3.2MM		SA	
	2001-000591	R-CARBON;3.3KOHM,5%,1/8W,AA,TP,1.8X3.2MM		SA	
	2007-000075	R-CHIP;220ohm,5%,1/10W,TP,1608		SA	
	2007-000078	R-CHIP;1Kohm,5%,1/10W,TP,1608		SA	
	2007-000090	R-CHIP;10Kohm,5%,1/10W,TP,1608		SA	
	2007-000120	R-CHIP;680ohm,5%,1/10W,TP,1608		SA	
	2007-000293	R-CHIP;100ohm,5%,1/4W,TP,3216		SA	
	2007-000303	R-CHIP;10Kohm,5%,1/4W,TP,3216		SNA	
	2007-000402	R-CHIP;150ohm,5%,1/10W,TP,1608		SA	
	2201-000017	C-CERAMIC,DISC;1nF,10%,50V,Y5P,-,5x3.5mm		SA	
	2203-000236	C-CER,CHIP;0.1nF,5%,50V,C0G,1608		SA	
	2203-000440	C-CER,CHIP;1nF,10%,50V,X7R,1608		SA	
	2203-000626	C-CER,CHIP;0.022nF,5%,50V,C0G,1608		SA	
	2203-000815	C-CER,CHIP;0.033nF,5%,50V,C0G,1608		SA	
	2203-000998	C-CER,CHIP;0.047nF,5%,50V,C0G,1608		SA	
	2802-001069	RESONATOR-CERAMIC;7.37MHz,0.5%,TP,4.7x4.		SNA	
	3404-000165	SWITCH-TACT;12V,50mA,160gf,6x6mm,SPST		SA	
	4712-001029	THERMOSTAT;125/250VAC,15/10A,170+-5C,0C,	K4280	SA	
	6006-000127	SCREW-MACHINE;WS,PH,+,M3,L6,ZPC(YEL),SWR		SNA	
	JB13-00004A	IC ASIC-OPE;SF-3100,HT48C5,SSOP,48P,16.1		SA	
	JC39-40511A	CBF HARNESS;ML-80,JUMPER,AWG22,52mm,SILV		SA	
	JC41-00176B	PCB-PANEL B'D;ML3560,FR-4,2LAYER,-,1.6T,		SNA	
	JC41-00179A	PCB-DEV B'D;ML-2150,FR-1,1LAYER,-,1.6T,5		SNA	
	JC41-00292A	PCB-TONER_SENSOR;ML-3560,FR-4,2LAYER,-,1		SNA	
	JC41-10517A	PCB-CASSETTE;ML-165,FR-4,2L,-,1.6MM,55*5		SNA	
	JC63-00710A	SHEET-FILM AGITATOR;ML-3560,PET,0.125,24		SNA	
	JC67-00100A	CAP-M-CARBON BRUSH;ML-3560,PET+GF30%,FR5		SNA	
	JC71-00057A	ELECTRODE-P_FU_R_08;ML-3560,T0.8,20.2,32		SNA	
	JC72-01353A	PMO-M AGITATOR;ML-3560,ABS,BLK,223.6,-,-		SNA	
	JC72-41050A	PMO-BUSHING AGITATOR;ML-7000,POM(M90-44)		SNA	
	JC73-40902A	RMO-SEAL AGITATOR;ML-7000,SANTOPRENE,9*4		SNA	
	JC96-03655A	ELA UNIT-CARBON&SP;ML-3560,SEC,USA,BRUSH	K3054	SA	
	JC67-00104A	BRUSH-CARBON;ML-3560,SM190,-,D9,9.5,-,-		SNA	