

# ML3051ND

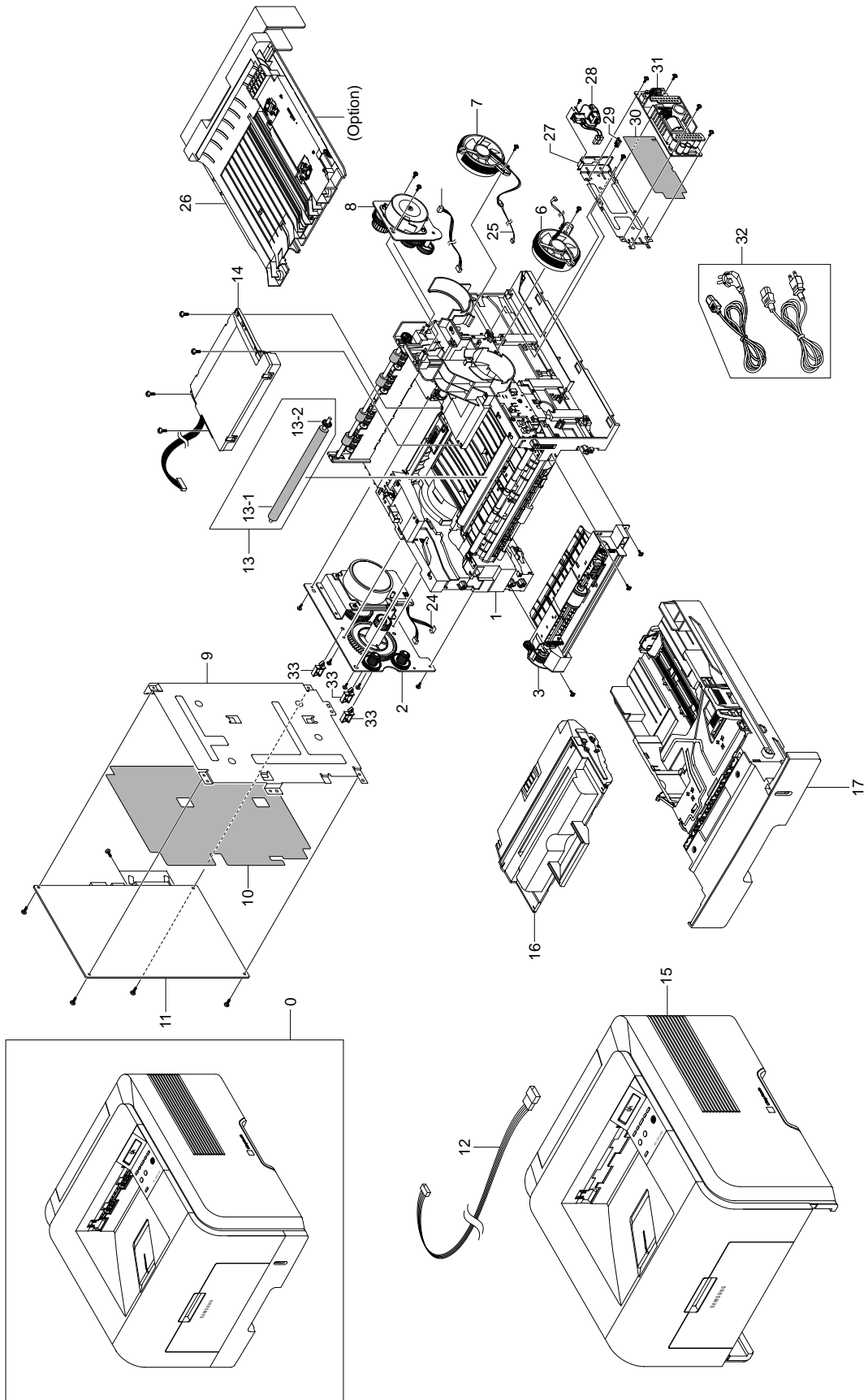
## 7. Exploded Views and Parts List

---

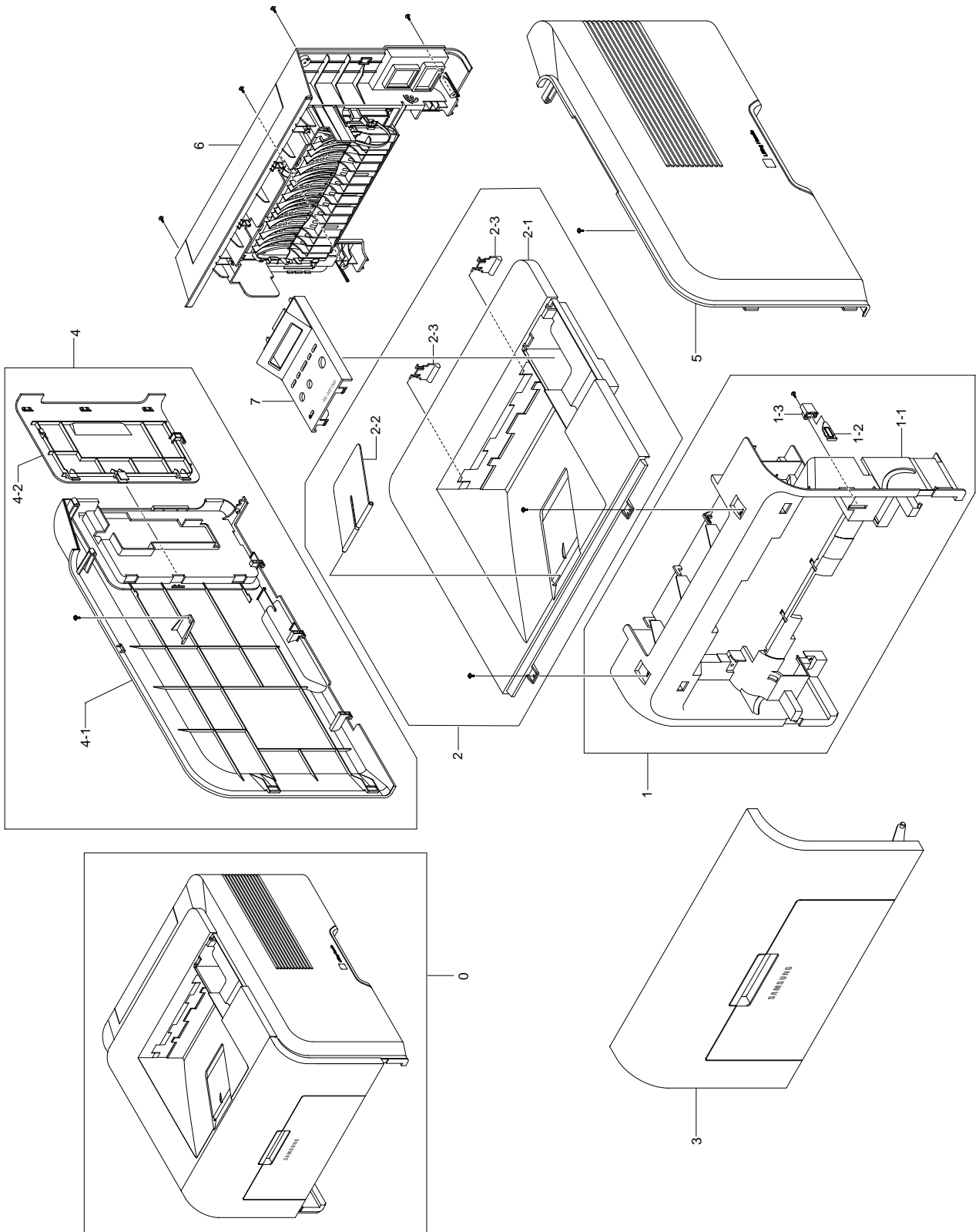
### Contents

- 7.1 Main
- 7.2 Cover Ass'y
- 7.3 Front Cover Ass'y
- 7.4 Rear Cover Ass'y
- 7.5 OPE Cover Ass'y
- 7.6 Frame
- 7.7 MP Ass'y
- 7.8 Main Drive Ass'y
- 7.9 Fuser Drive Ass'y
- 7.10 Duplex Unit (Optional)
- 7.11 Fuser Unit
- 7.12 Cassette Unit

# 7.1 Main

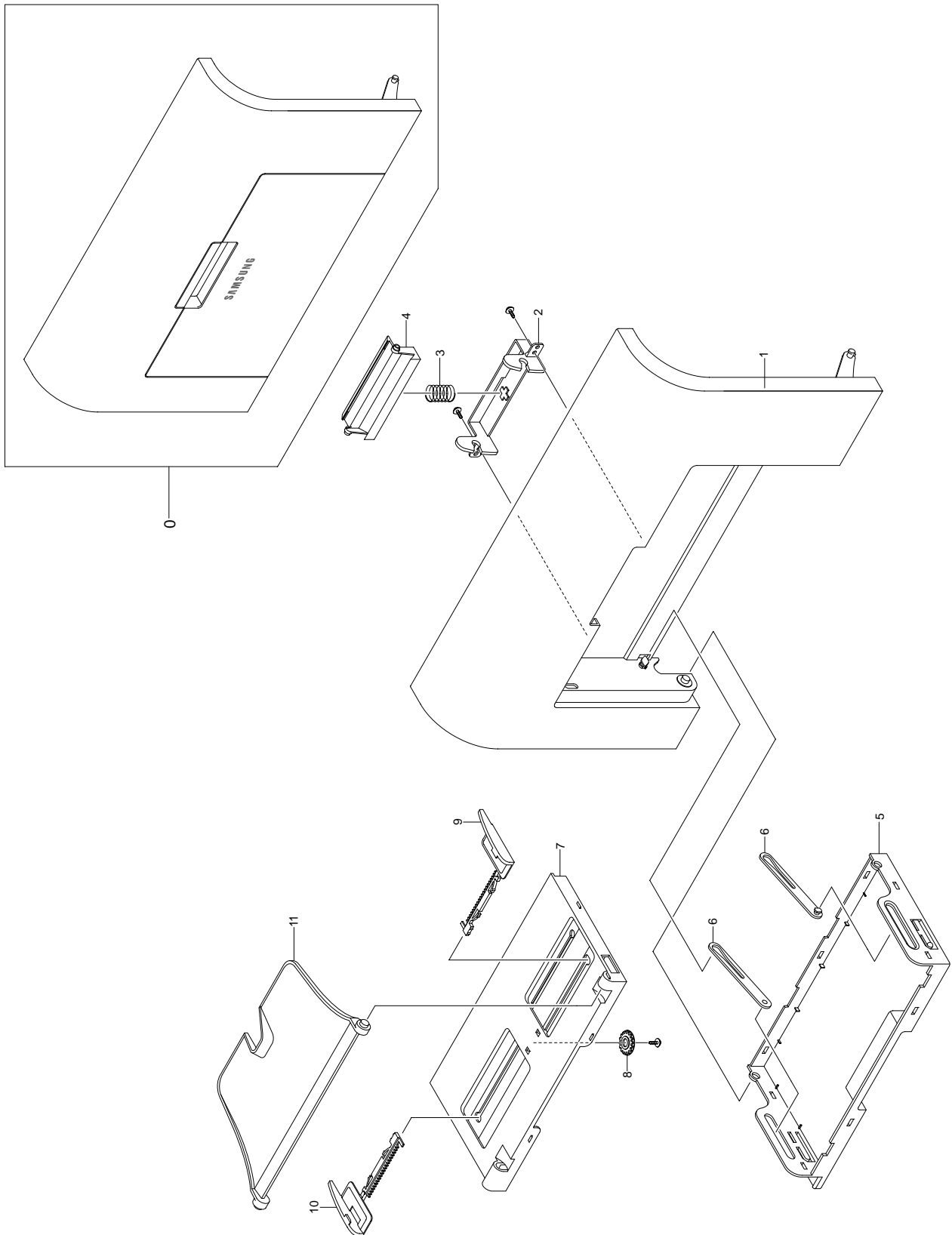


## 7.2 Cover Ass'y

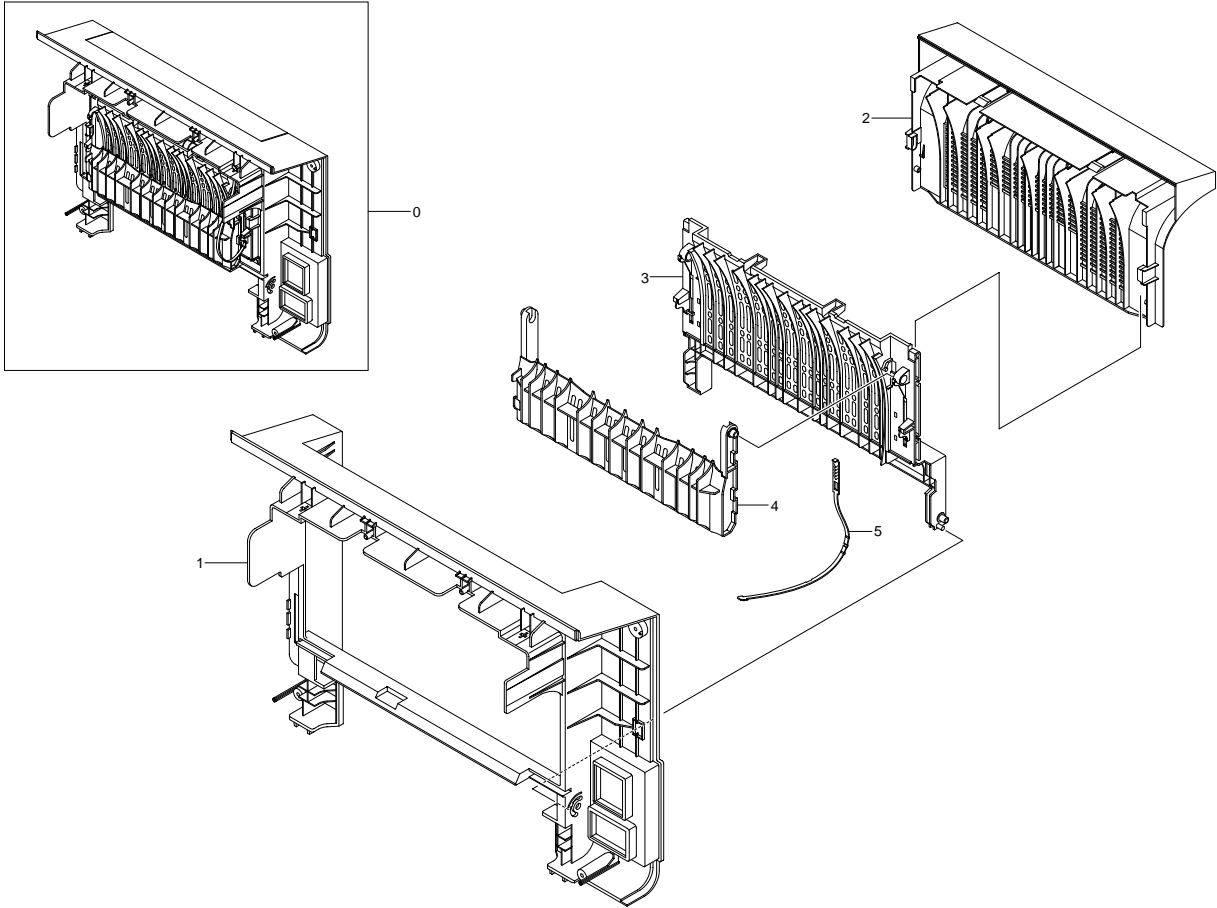


## 7.3 Front Cover Ass'y

---

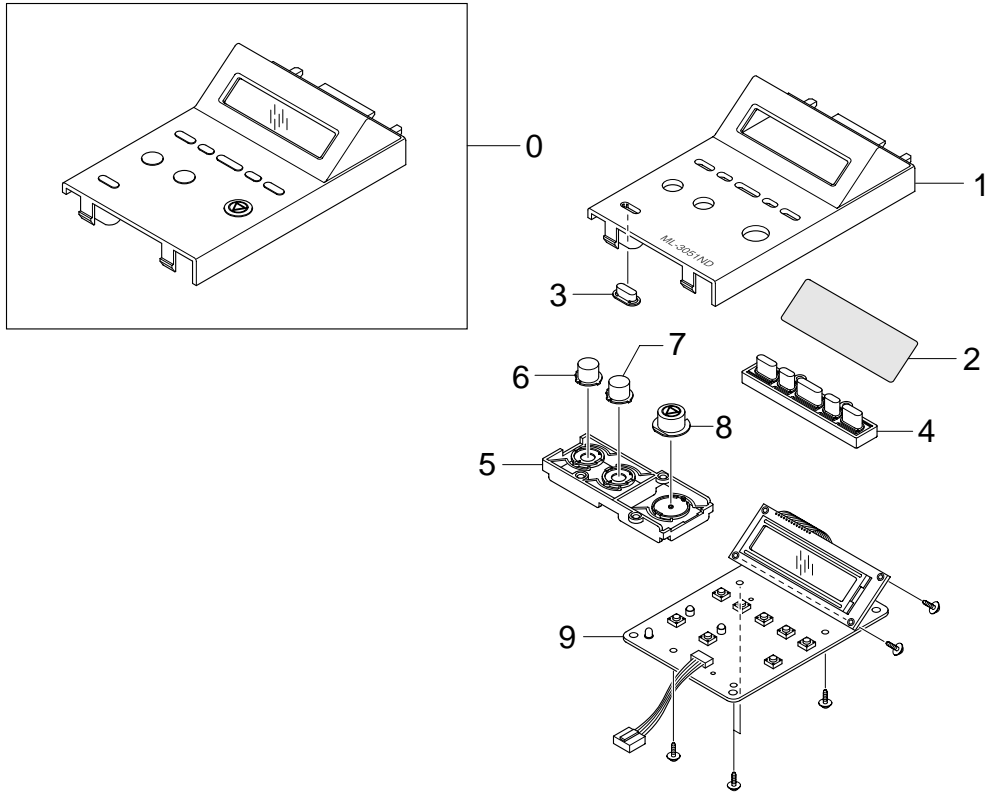


# 7.4 Rear Cover Ass'y

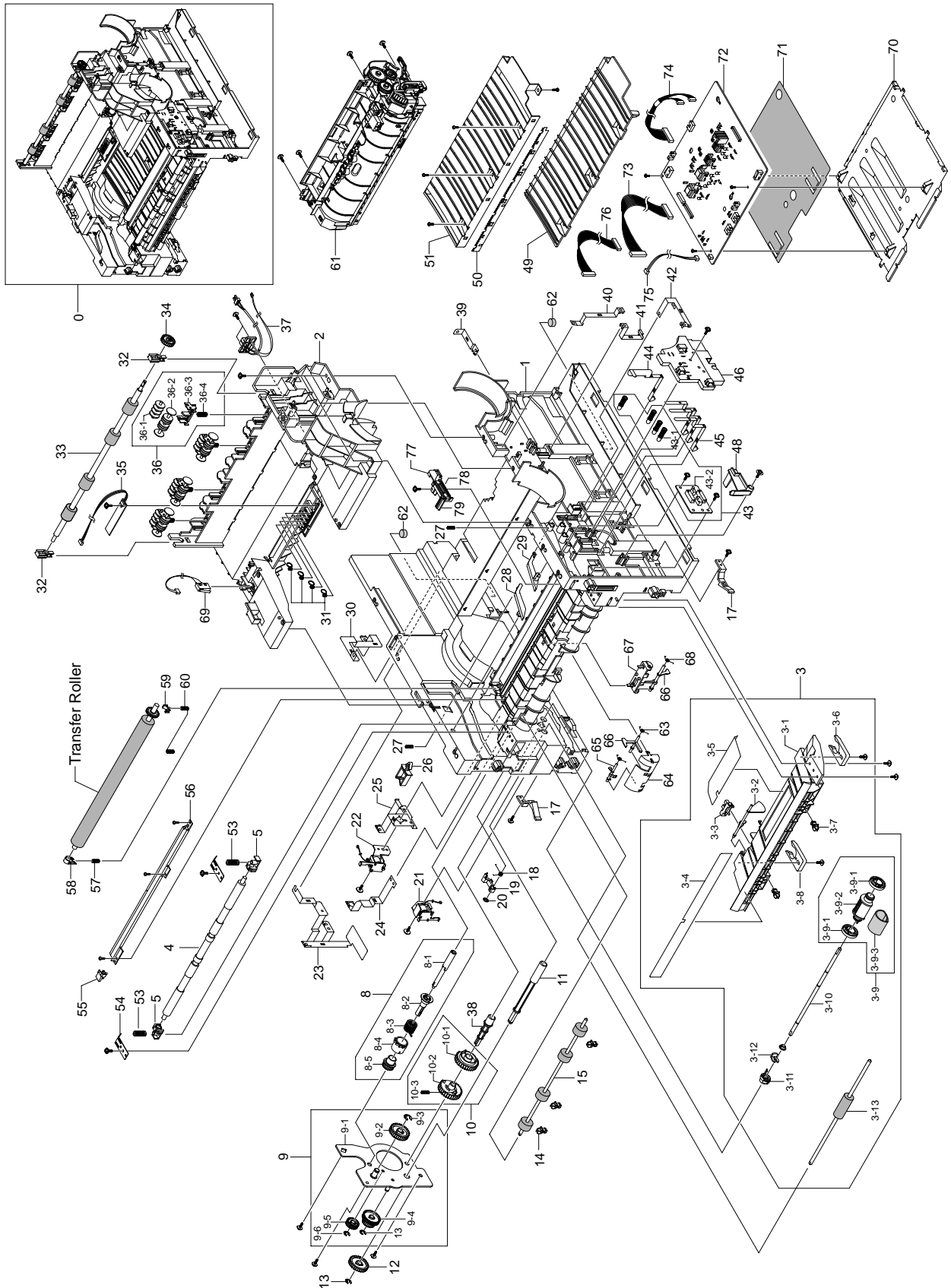


## 7.5 OPE Cover Ass'y

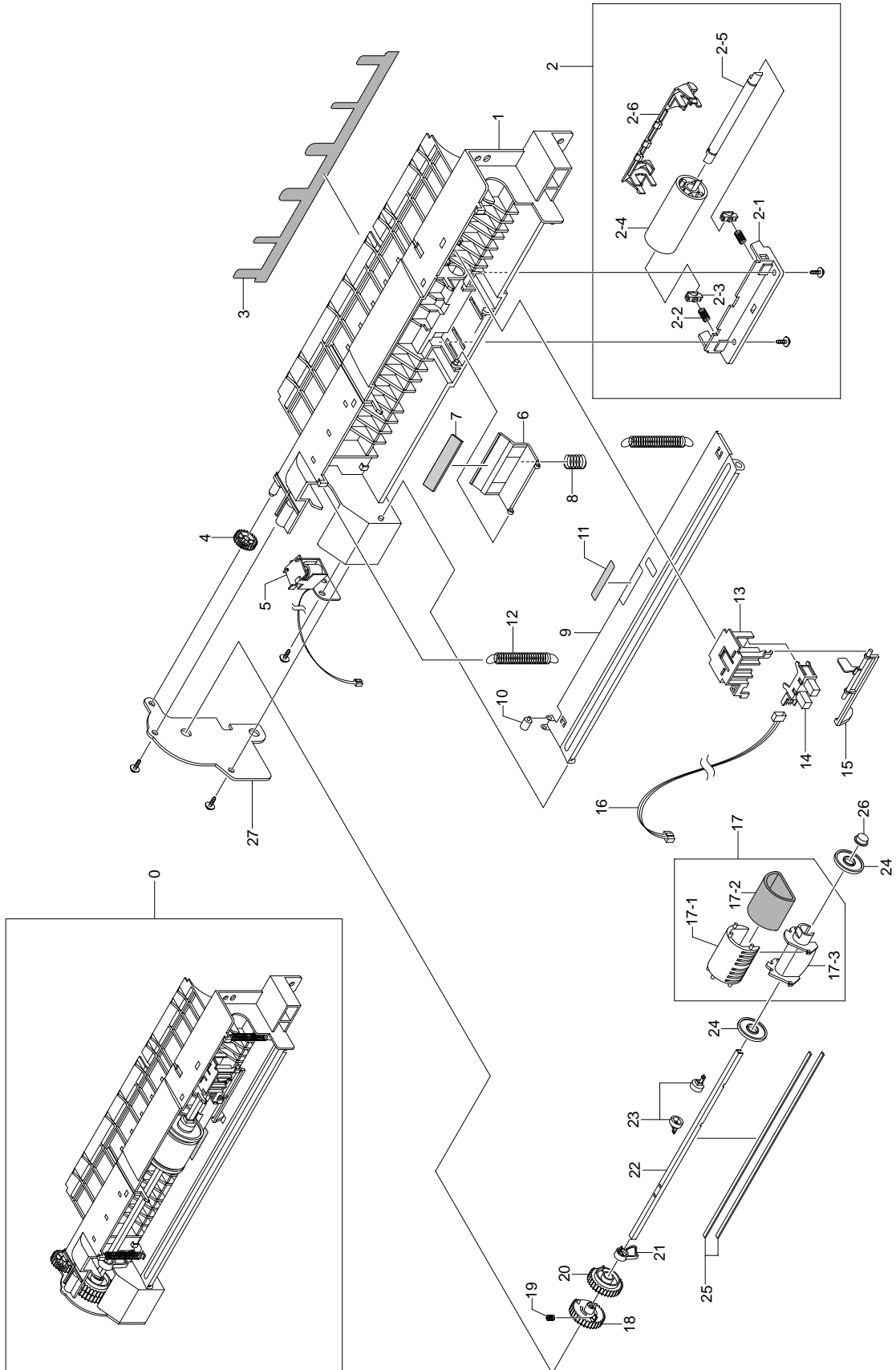
---



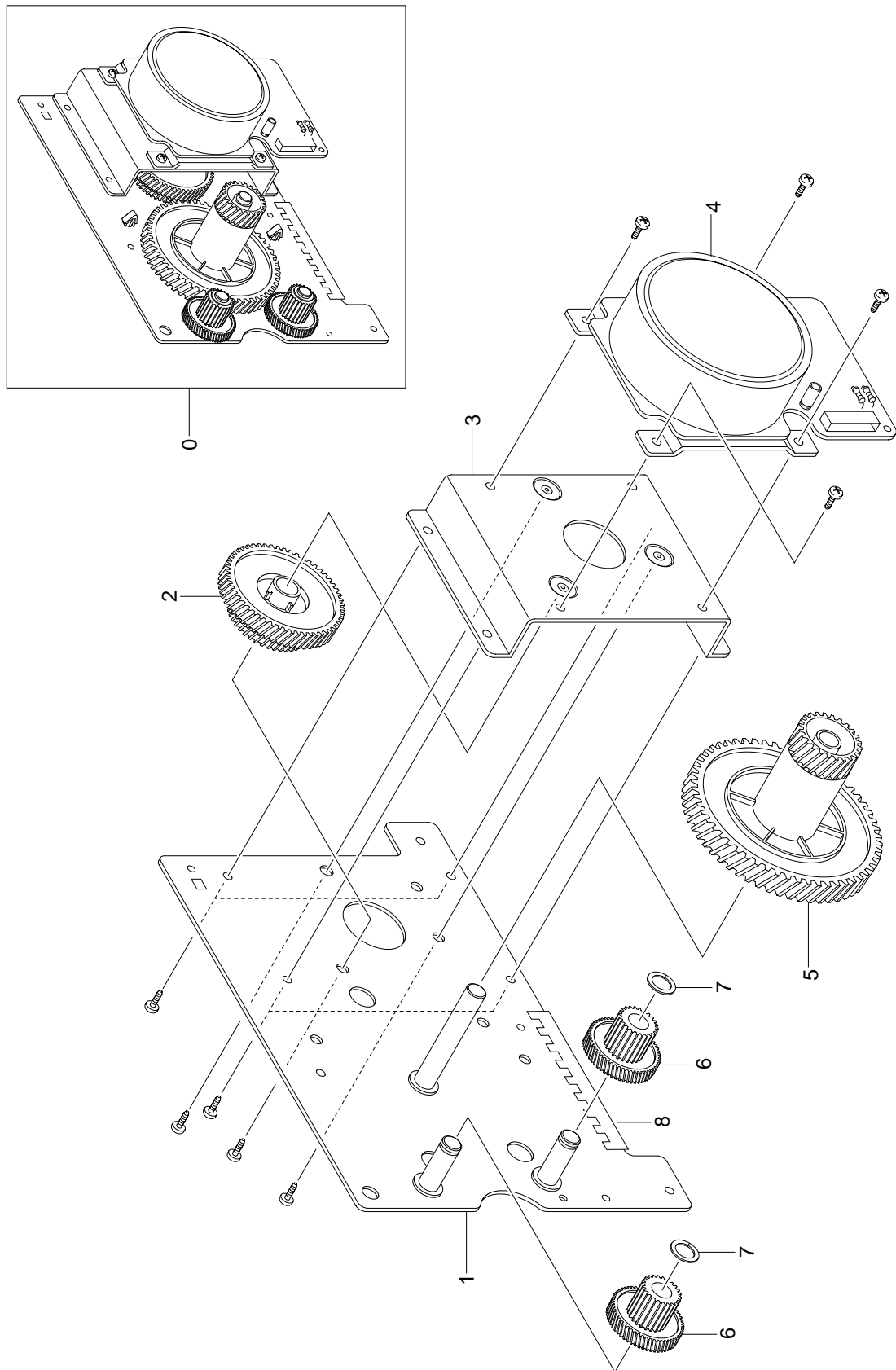
## 7.6 Frame



# 7.7 MP Ass'y

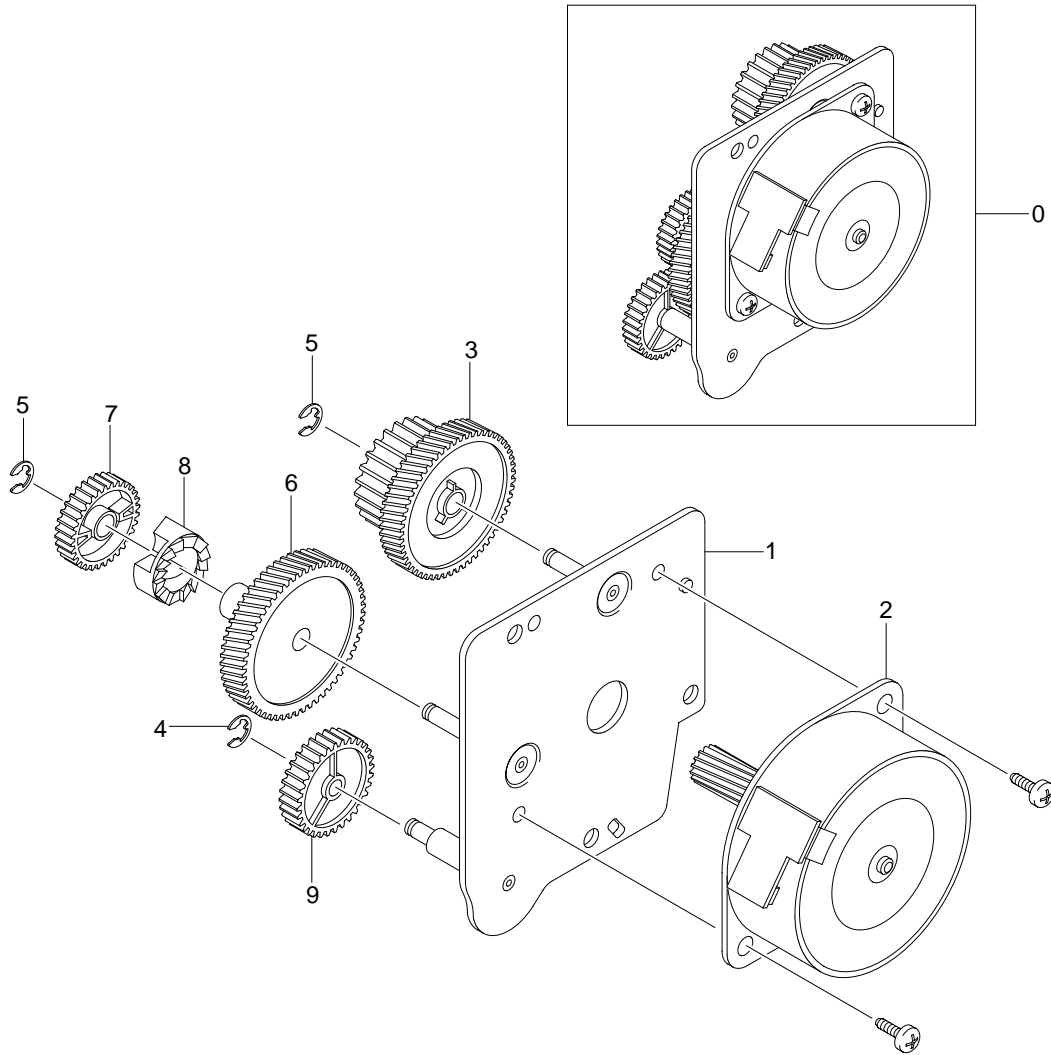


## 7.8 Main Drive Ass'y

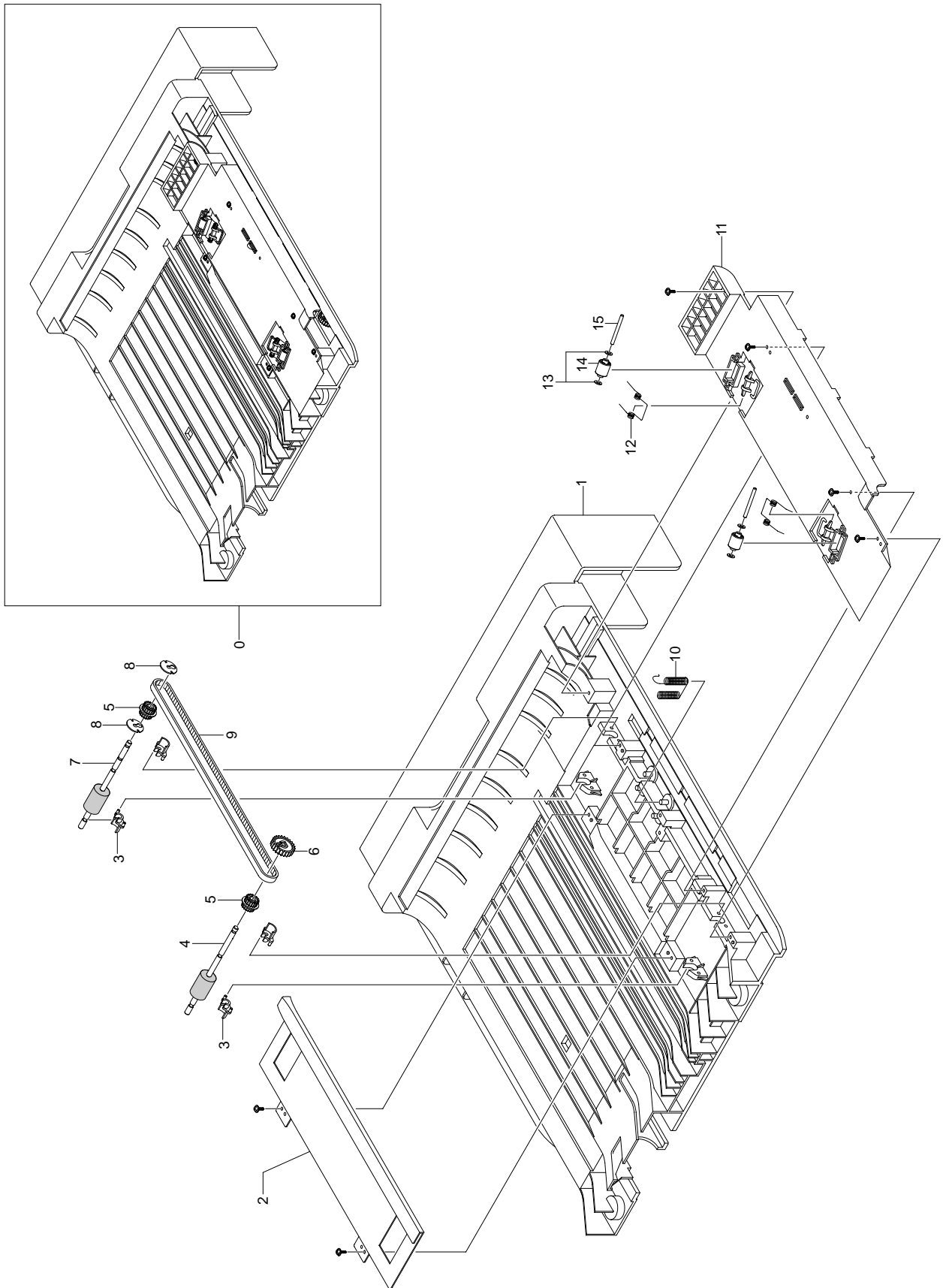


## 7.9 Fuser Drive Ass'y

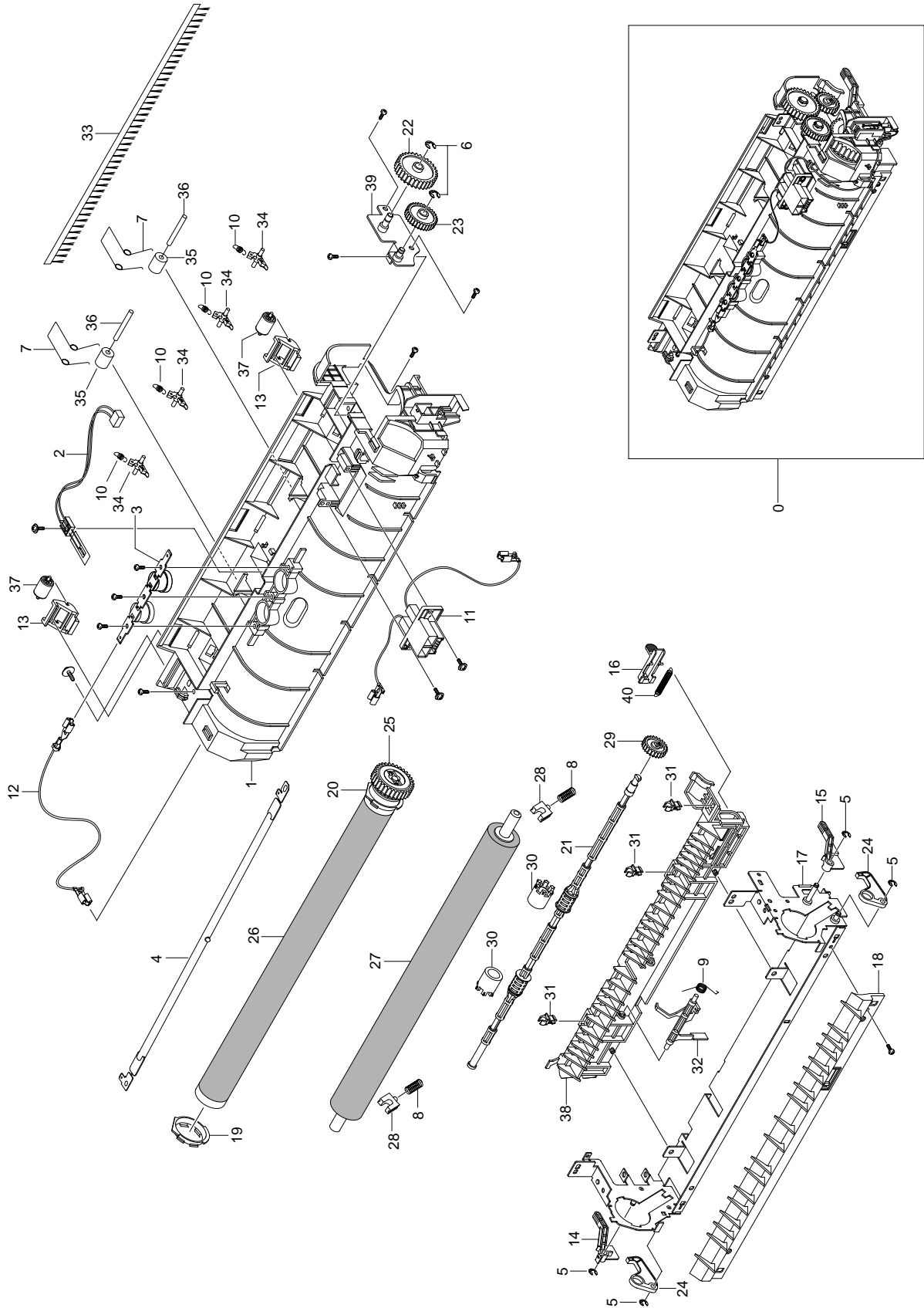
---



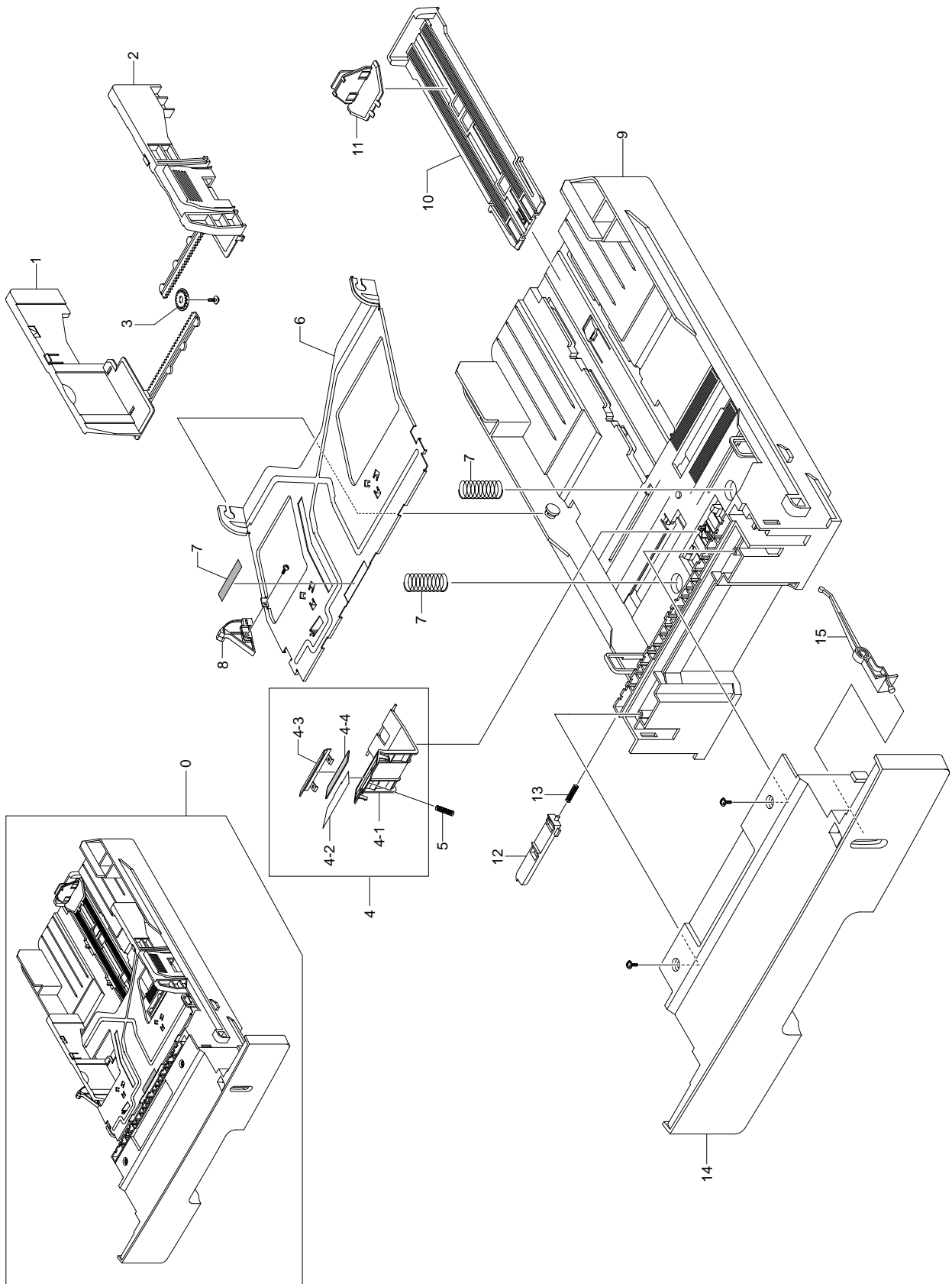
## 7.10 Duplex Unit (Optional)



# 7.11 Fuser Unit



## 7.12 Cassette Unit



## Service Parts List (Model code : ML-3051ND/XAA)

SA : SERVICE AVAILABLE SNA : SERVICE not AVAILABLE

Drawer#	SEC-Code	Description & Specification	Location	Service
7.1-1	JC96-03993A	ELA HOU-FRAME 110V;ML-3051ND,-,-,110V LA		SA
7.1-2	JC96-03761A	ELA UNIT-MAIN DRIVE;SCX-5530FN,SEC,-,-,-	D2101	SA
7.1-3	JC96-03837A	ELA HOU-MPF;SCX-5530FN,-,-,-,-,-	D2156	SA
7.1-6	JC31-00025A	FAN-DC;AD0624MSA70GL(R1)DOL,CLP-500,PBT+	F0002	SA
7.1-7	JC31-00025B	FAN-DC;AD0624MS-A70GL,SCX-6345N/XX,PBT+	D2107	SA
7.1-8	JC96-03866A	ELA HOU-FUSER DRIVE;SCX-5530FN,-,-,ELBER		SNA
7.1-9	JC97-02697A	MEA-SHIELD CONTROLLER;ML-3051ND,-,-,-,-		SNA
7.1-10	JC63-00962A	SHEET-INSULATOR_PBA;ML-3051ND,PC V2,0.5T		SNA
7.1-11	JC92-01745B	PBA MAIN-CONTROLLER;ML-3051ND,SEC,-,110V	D2100	SA
7.1-12	JC39-00532A	CBF HARNESS-LCD_OPE;ML-3051ND,CBF,UL1061	D2113	SA
7.1-13	JC97-02652A	MEA-TRANSFER ROLLER;SCX-5530FN,-,-,ELBER	D2128	SA
7.1-13-1	<a href="#">JC66-01181A</a>	ROLLER-TRANSFER;SCX-5530FN,SUS303+NBR,15	D2146	SA
7.1-13-2	JC66-00395A	GEAR-TRANSFER;ML-1710,POM(M90-44),-,-,-	G0448	SA
7.1-14	JC59-00027A	UNIT-LSU;SCX-5530FN,-,-,DUAL,SINGLE LD,4	D2115	SA
7.1-15	JC97-02395A	MEA-COVER;ML-3051ND,-,-,DOVE,-,-,-		SNA
7.1-16	JC96-03979A	ELA UNIT-INITIAL DEVE;ML-3050/SEE,-,-,IN		SNA
7.1-17	<a href="#">JC97-02415A</a>	MEA UNIT-CASSETTE;ML-3051N,-,-,DOVE,-,-,-	D2106	SA
7.1-24	JC39-00529A	CBF HARNESS-EXIT MTR;SCX-5530FN,CBF,UL 1	D2134	SA
7.1-25	JC39-00527A	CBF HARNESS-MAIN MTR;SCX-5530FN,CBF,UL 1	D2111	SA
7.1-27	JC63-00913A	SHIELD-P-SMPS;SCX-5530FN,SECC,0.8,191.76		SNA
7.1-28	JC39-00523A	CBF HARNESS-AC INLET;SCX-5530FN,CBF,UL16	D2110	SA
7.1-29	6502-000132	CABLE CLAMP;DAWS-1NE,ID11,L21.0,NTR,NYLO	C0069	SA
7.1-30	JC63-00960A	SHEET-INSULATOR_SMPS;SCX-5530FN,PC V0,0.		SNA
7.1-31	JC44-00097A	SMPS-PSP_TYPE3_V1;SCX-4521F,*,AC/DC,-,10		SA
7.1-32	3903-000085	CBF-POWER CORD;DT,US,BP3/YES,I(IEC C13/C	C0022	SA
7.2-1	JC97-02399A	MEA-COVER MIDDLE;ML-3051ND,-,-,DOVE,-,-,-	D2126	SA
7.2-1-2	JC72-01339A	PMO-M-SUB ACTUATOR;ML-2250,POM,-,46.3*20	A0004	SNA
7.2-2	JC97-02442A	MEA-COVER TOP;ML-3051ND,-,-,DOVE,-,-,-	D2127	SA
7.2-2-3	JC72-01001A	PMO-SUB STACKER;ML-1400,PC,-,32*4.8*25.5	O1104	SA
7.2-3	<a href="#">JC97-02396A</a>	MEA-COVER FRONT;ML-3051ND,-,-,DOVE,-,-,-	D2123	SA
7.2-4	JC97-02397A	MEA-COVER SIDE L;ML-3051ND,-,-,DOVE,-,-,-	D2124	SA
7.2-6	JC97-02398A	MEA-COVER REAR;ML-3051ND,-,-,DOVE,-,-,-		SA
7.2-7	JC96-03830A	ELA HOU-COVER OPE;ML-3051ND,-,-,DOVE,-,-,-	D2121	SA
7.3-3	JG61-70549A	SPRING ETC-CIS(C2);SF4400,SUS304WPB,D11.	C5029	SA
7.3-6	<a href="#">JC63-00444A</a>	TRAY-M-LINK_MP;ML-2250,PC,2,74.9,9.3,-,-	T4137	SA
7.3-8	JG66-40003A	GEAR-PINION;SF4000,POM,WHT,M1,Z16	O1127	SA
7.4-4	JC61-01583A	GUIDE-OUTPUT FUSER;SCX-5530FN,PC,2.5,248		SNA
7.4-5	JC61-01653A	STOPPER-M-STRAP;SCX-5530FN,PE BOX 7033,T		SNA
7.5-2	JC72-00672A	PCT-LCD WINDOW;SF-535E,PC SHEET T0.38,-,		SNA
7.5-8	6003-000196	SCREW-TAPTITE;PWH,+ ,B,M3,L10,NI PLT,SWRC	Z4397	SA
7.5-8	6003-000221	SCREW-TAPTITE;PWH,+ ,S,M4,L8,ZPC(YEL),SWR		SNA
7.5-8	6003-000261	SCREW-TAPTITE;BH,+ ,B,M3,L6,ZPC(YEL),SWRC		SNA
7.5-8	6003-000269	SCREW-TAPTITE;BH,+ ,S,M3,L6,ZPC(YEL),SW		SA
7.5-8	6003-000301	SCREW-TAPTITE;BH,+ ,S,M4,L6,ZPC(YEL),SWRC		SNA
7.5-8	6003-001256	SCREW-TAPTITE;BH,+ ,B,M4,L10,NI PLT,SWRCH		SNA
7.5-8	<a href="#">6003-000282</a>	SCREW-TAPTITE;BH,+ ,B,M3,L8,ZPC(BLK),SW		SA
7.5-8	6006-001078	SCREW-TAPTITE;WSP,PH,+ ,M3,L10,ZPC(YEL),S		SNA
7.5-9	<a href="#">6003-000264</a>	SCREW-TAPTITE;PWH,+ ,B,M3,L6,ZPC(YEL),S		SNA
7.6-1	JC61-01620A	FRAME-M_BASE;SCX-5530FN,PC+ABS,-,V0,BLK,		SNA
7.6-2	JC61-01621A	FRAME-M_EXIT;SCX-5530FN,PC,-,V0,BLK,2.5,		SNA
7.6-3	JC96-03829A	ELA HOU-GUIDE DUP F;SCX-5530FN,-,-,ELBER	D2155	SA
7.6-3-1	JC61-01600A	GUIDE-M_FRONT DUPLEX;SCX-5530FN,PC-GF20,		SNA

SA : SERVICE AVAILABLE SNA : SERVICE not AVAILABLE

Drawer#	SEC-Code	Description & Specification	Location	Service
7.6-3-2	JC66-01187A	LEVER-ACTUATOR EMPTY;SCX-5530FN,PC,?3,-,	D2171	SA
7.6-3-3	0604-001095	PHOTO-INTERRUPTER;TR,90%,150mW,DIP-4,BK	P0013	SA
7.6-3-4	JC63-01095A	SHEET-GUIDE DUP_OUT;SCX-5530FN,PET,0.188		SNA
7.6-3-5	JC63-00992A	SHEET-GUIDE FRONT DU;SCX-5530FN,PET,0.18		SNA
7.6-3-6	JC66-01170A	CAM-SHAFT PICK UP;SCX-5530FN,POM(M9044),		SNA
7.6-3-7	JC72-00382B	PMO-BUSHING FEED;ML-1710,POM(DERLIN 8903	O1102	SA
7.6-3-8	JC61-01367A	FIXER-M_E RING 4PI;SCX-6345N/XXR,POM,T1.		SNA
7.6-3-9	JC97-02441A	MEA-ROLLER PICK UP;SCX-5530FN,-,-,ELBERT	D2175	SA
7.6-3-9-1	JC66-01169A	ROLLER-IDLE PICK UP;SCX-5530FN,POM,28.5,	D2181	SA
7.6-3-9-2	JC61-01601A	HOUSING-M_PICK UP;SCX-5530FN,PC+ABS,-,17	D2178	SA
7.6-3-9-3	JC66-01168A	ROLLER-PICK UP;SCX-5530FN,EPDM+IR,25.0,2	D2180	SA
7.6-3-10	JC66-01171A	SHAFT-PICK UP;SCX-5530FN,SUM22+NI,130.0,		SNA
7.6-3-11	JC72-41364A	PMO-BUSHING_P/U,MP;ML-6100,POM,BLACK,-,C	P0035	SA
7.6-3-12	JC66-00050A	CAM-CATCH;ML-9400W,POM,-,34; 18; 7,WHITE S	C0004	SA
7.6-3-13	JC66-01173A	ROLLER-FEED;SCX-5530FN,EPDM+SUM22+NI,13.	D2170	SA
7.6-4	JC66-00527A	SHAFT-FEED IDLE;ML-1510,SUM24L+NI,223,8,	F6209	SA
7.6-5	JC61-00585A	BUSH-M-FEED IDLE;ML-1710,POM(CF620-GF20%	F6043	SA
7.6-8	JC97-01788A	MEA UNIT-CLUTCH;ML-1710,SAMSUNG,-,-,-,-,	C9040	SA
7.6-8-1	JC66-00398A	SHAFT-FEED;ML-1710,POM(M90-44),-,-,NTR,-	F6210	SA
7.6-8-2	JC72-00981A	PMO-HUB CLUTCH;ML-1710,POM(M90-44),NTR,-		SNA
7.6-8-3	6107-001238	SPRING-TS;SUS304-WPB,-,PI0.5,D2.4,L16.4,		SNA
7.6-8-3	6107-001171	SPRING-TS;SWRS82A,-,0.75X0.5,D14.2,-,-,-	Z4161	SA
7.6-8-4	JC72-00978A	PMO-COLLAR_SPRING;ML-1710,POM(M90-44),NT	Z4125	SA
7.6-8-5	JC66-00393A	GEAR-FEED 1;ML-1710,POM(DELIN 8903),-,-,	F6071	SA
7.6-9	JC97-02394A	MEA UNIT-BRACKET FEED;SCX-5530FN,SEC,-,-		SNA
7.6-9-1	JC61-01582A	BRACKET-P-FEED;SCX-5530FN,SECC ,1.0,88.8		SNA
7.6-9-2	JC66-01166A	GEAR-IDLE Z29 HELICAL;SCX-5530FN,POM,0.5		SNA
7.6-9-3	6044-000231	RING-E;ID5.0,OD11.0,T0.6,PASS,STS304	R0006	SA
7.6-9-4	JC66-01164A	GEAR-RETARD 39/19;SCX-5530FN,POM,0.5/0.8		SNA
7.6-9-5	JC66-00484A	GEAR-T2 IDEL_Z27;CLP-500,POM,DE8903,M0.8	G0432	SA
7.6-9-6	6044-000125	RING-E;ID4,OD9,T0.6,PASS,STSC	R0004	SA
7.6-10	JC97-02648A	MEA UNIT-GEAR PICK UP;SCX-5530FN,-,-,-,-	D2157	SA
7.6-10-1	JC66-01183A	GEAR-PICK UP INNER;SCX-5530FN,POM,0.8,33		SNA
7.6-10-2	JC66-01184A	GEAR-PICK UP OUTER;SCX-5530FN,POM,0.8,33		SNA
7.6-10-3	<a href="#">6107-001167</a>	SPRING-CS;SUS304-WPB,-,PI0.25,D3.25,L9.6	Z4318	SA
7.6-11	JC66-01160A	SHAFT-M_FEED2;SCX-5530FN,POM(M90-44),72.		SNA
7.6-12	JC66-01165A	GEAR-FEED2 Z27;SCX-5530FN,POM,0.8,Z27,W4		SNA
7.6-13	6044-000001	RING-CS;ID3,OD3,T0.25,BLACK,SUS304		SNA
7.6-15	JC66-00526A	ROLLER-FEED ROLLER 1;ML-1510,SUM24L+NI+E	F6201	SA
7.6-17	JC72-00983A	PMO-LOCKER CST;ML-1710,POM(DELIN 900P),W	L6030	SA
7.6-18	6107-001170	SPRING-TS;SWP-B,-,PI0.9,D6.0,-,-,-,ID5.2	Z4162	SA
7.6-19	JC66-00377A	CAM-M-PICK_UP;ML-1710,POM(DELIN 8903),-	P2042	SA
7.6-21	JC33-00010A	SOLENOID-HB (MANUAL);-,ML-1510,DC24V,-,-	S8015	SA
7.6-22	JC33-00014A	SOLENOID-FEED ROCKY2;-SCX-4920,-,-,-,-,	P2162	SA
7.6-23	JC63-00917A	GROUND-P-DRIVE;SCX-5530FN,SUS301-1/2H,0.		SNA
7.6-24	JC63-00923A	GROUND-P-PUSH BUSHING;SCX-5530FN,C5210P,		SNA
7.6-25	JC63-00922A	GROUND-P-DRIVE2;SCX-5530FN,SUS301-1/2H,0		SNA
7.6-26	6502-001093	CABLE CLAMP;DAWS-3NE,ID11*L34.8,-,NYLON6	C0002	SA
7.6-27	JC61-70932A	SPRING ETC-GUIDE DEVE;ML-5000A,-,D4.3,-,	Z4159	SA
7.6-28	<a href="#">JC72-00984A</a>	PMO-PLATE GUIDE DEVE_L;ML-1710,POM(M90-4	G2285	SA
7.6-29	<a href="#">JC72-00985A</a>	PMO-PLATE GUIDE DEVE_R;ML-1710,POM(M90-4	G2286	SA
7.6-30	JC63-00926A	GROUND-P-SHIELD;SCX-5530FN,C5210P,0.2,40		SNA
7.6-31	JC65-00019A	TERMINAL-CRUM;SCX-5530FN,SUS304WPB,-,-,P	D2144	SA
7.6-32	JC61-00829A	HOLDER-BEARING EXIT F/DOWN;SCX-4216F,POM	H4009	SA
7.6-33	JC66-01196A	ROLLER-EXIT F/DOWN;SCX-5530FN,SUM22 + EP		SNA
7.6-34	JC66-40209A	GEAR-EXIT;ML-80,POM,-,-,-,WHT,-,-,-	D2148	SA

SA : SERVICE AVAILABLE SNA : SERVICE not AVAILABLE

Drawer#	SEC-Code	Description & Specification	Location	Service
7.6-35	JC92-01829A	PBA SUB-TERMINAL;SCX-5530FN,SEC,-,-,-,-,-	Z4319	SA
7.6-36	<a href="#">JC97-01034A</a>	MEA RACK-EXIT ROLLER;ML-1605,SUMSUNG,KOR	E4060	SA
7.6-36-1	JC72-41008A	PMO-ROLLER FD R;ML-165,POM,BLACK,-,-,-,-	P0049	SA
7.6-36-2	JC72-41007A	PMO-ROLLER FD F;ML-165,POM,BLACK,-,-,-,-	P0048	SA
7.6-36-3	JC72-41006A	PMO-HOLDER EXIT ROLL;ML-165,PC,BLK,HB,-	E4126	SA
7.6-36-4	JC61-70911A	SPRING ETC-EXIT ROLL FD;ML-165,SUS304 WP	O1053	SA
7.6-37	JC39-00522A	CBF HARNESS-FUSER AC;SCX-5530FN,CBF,UL31	D2132	SA
7.6-38	<a href="#">JC61-01602A</a>	HOLDER-M_PICK UP;SCX-5530FN,POM,-,-,41.8		SNA
7.6-39	JC63-00920A	GROUND-P-FUSER;SCX-5530FN,SUS301-1/2H,0.		SNA
7.6-40	JC63-00925A	GROUND-P-MOTOR FUSER;SCX-5530FN,C5210P,0		SNA
7.6-41	JC63-00924A	GROUND-P-SHIELD SMPS;SCX-5530FN,C5210P,0		SNA
7.6-42	JC63-00921A	GROUND-P-GUIDE TR;SCX-5530FN,C5210P,0.2,		SNA
7.6-43	JC75-00049A	MEC-TERMINAL;SF-5100,SAMSUNG,-,-,-,-,-	K3739	SA
7.6-43-1	JC61-00035A	SPRING ETC-HV APOLLO;SF-5100,SUS304WPB,0		SNA
7.6-43-2	JC70-00050A	IPR-TERMINAL;SF-5100,SWRCH1018,-,-,-,-,8		SNA
7.6-44	JC65-00014A	TERMINAL-P-HV CR;SCX-5530FN,SUS301-CSP 3		SNA
7.6-45	JC70-00312A	IPR-P-TERMINAL CON;ML-1710,SUS304-CSP,-,	K3385	SA
7.6-46	JC61-01584A	HOUSING-M_TERMINAL;SCX-5530FN,ABS(NH-100		SNA
7.6-47	JC92-01828A	PBA SUB-CONNECTION;SCX-5530FN,SEC,-,-,-,-	D2154	SA
7.6-48	JC72-00974A	PMO-ACTUATOR CVR OPEN;ML-1710,PC V0(NH10	O1073	SA
7.6-49	JC61-01746A	GUIDE-TR RIB;SCX-5530FN,PC+ABS,-,78.9,23		SNA
7.6-50	JC61-00604B	PLATE-E_SAW;SF-755P,SUS304-CSP 1/2H,0.1,	P5152	SA
7.6-51	JC61-00607A	GUIDE-P-TR;ML-1710,SECC,0.5,239.1,76.4,-	G2089	SA
7.6-53	JC61-70958A	SPRING ETC-TR;ML-5000A,SUS304 WPB,PI0.55	Z4163	SA
7.6-54	JC61-00914A	PLATE-P-PUSH BUSHING;SCX-4920N,SECC,0.8,	K3234	SNA
7.6-55	JC61-00907A	HOLDER-M-PTL R2;SCX-4920N,PC(NH-1023P),1	H4041	SA
7.6-56	JC70-00307A	IPR-P-EARTH TRANSFER;ML-1710,SECC,-,1.0T	O1094	SA
7.6-57	JC61-00047A	SPRING ETC-TR L HAWK;ML-6060A,SWP-B,-,-,-	O1030	SA
7.6-58	JC61-00588A	BUSH-M-TR L;ML-1710,POM(M90-44),-,-,-,BL	K2886	SA
7.6-59	<a href="#">JC72-00102A</a>	PMO-BUSHING_TR(L);SF-5100,POM(CH-15),BL	O1101	SA
7.6-60	JC65-00018A	TERMINAL-TR;SCX-5530FN,STS304WPB,-,-,PI		SNA
7.6-61	JC96-03964A	ELA UNIT-FUSER_110V;ML-3050,-,-,-,-,-		SA
7.6-62	JC61-00835A	FOOT-BACK;ML-1750,NBR,D13.6,-,10.5,-,-	F1010	SA
7.6-63	<a href="#">6107-001164</a>	SPRING-TS;SUS304-WPB,-,PI0.15,D3.95,L12,	Z4156	SA
7.6-64	<a href="#">JC61-01619A</a>	HOLDER-M_ACT REGI;SCX-5530FN,ABS,2.0,60.		SNA
7.6-65	JC66-01191A	LEVER-M_ACTUATOR REGI;SCX-5530FN,PBT+GF3		SNA
7.6-66	JC66-01190A	LEVER-M_ACT DUP OUT;SCX-5530FN,PBT+GF30%		SNA
7.6-67	JC61-01618A	HOLDER-M_ACT FEED;SCX-5530FN,ABS,2.0,49.		SNA
7.6-69	JC39-00524A	CBF HARNESS-LSU S/W;SCX-5530FN,CBF,UL 10	D2133	SA
7.6-70	JC63-00914A	SHIELD-P-HVPS;SCX-5530FN,SECC,0.8,243.1,		SNA
7.6-71	JC63-00961A	SHEET-INSULATOR_HVPS;SCX-5530FN,PC V2,0.		SNA
7.6-72	JC44-00107A	HVPS-ELBERT;-24V,21.6V~27.6V,-,MAX 5KV,	D2168	SA
7.6-73	JC39-00519A	CBF HARNESS-SMPS;SCX-5530FN,CBF,UL 1061,	D2164	SA
7.6-74	JC39-00518A	CBF HARNESS-ENGINE;SCX-5530FN,CBF,UL 106	D2163	SA
7.6-75	JC39-00528A	CBF HARNESS-PAPER EMP;SCX-5530FN,CBF,UL	D2166	SA
7.6-76	JC39-00526A	CBF HARNESS-DUPLEX;SCX-5530FN,CBF,UL 106	D2165	SA
7.6-77	JC61-01623A	GUIDE-M_HOLDER TR;SCX-5530FN,ABS,2.5,31.		SNA
7.6-78	6107-001237	SPRING-ES;SUS304-WPB,-,P0.5,D4.5,L42,-,-		SNA
7.6-79	JC61-01622A	HOLDER-M_TR;SCX-5530FN,ABS,2.0,51.5,19.0		SNA
7.7-1	JC61-01603A	FRAME-M_MP;SCX-5530FN,PC+ABS,NH-1000T,V0		SNA
7.7-2	JC97-02443A	MEA-IDLE FEED;SCX-5530FN,-,-,-,-,-		SNA
7.7-2-1	JC61-01604A	HOLDER-M_IDLE FEED;SCX-5530FN,ABS,-,85.0		SNA
7.7-2-2	JC61-00484A	SPRING ETC-EXIT LOWER IDLE;SCX-5100,SUS3	Z4180	SA
7.7-2-3	JC61-01605A	HOLDER-M_SHAFT IDLE;SCX-5530FN,POM,5.2,1		SNA
7.7-2-4	JC66-01186A	ROLLER-IDLE FEED;SCX-5530FN,POM,16.0,48.		SNA
7.7-2-5	JC66-01172A	SHAFT-IDLE FEED;SCX-5530FN,SUM22+NI,74.6		SNA

SA : SERVICE AVAILABLE SNA : SERVICE not AVAILABLE

Drawer#	SEC-Code	Description & Specification	Location	Service
7.7-2-6	JC63-00997A	COVER-M_IDLE FEED;SCX-5530FN,PC,-,18.5,8		SNA
7.7-3	JC63-01094A	SHEET-GUIDE MP;SCX-5530FN,PET,0.125,25.0	D2169	SA
7.7-4	<a href="#">JC66-00396A</a>	GEAR-IDLE 23;ML-1710,POM(M90-44),0.8,23,	G0256	SA
7.7-5	JC33-00015A	SOLENOID-MP;- ,ML-2250,DC24V,-,-,-,300M	S8014	SA
7.7-6	JC61-00924A	HOLDER-M-PAD_MP;ML-2250,PC+ABS,-,48,24.2	H4029	SA
7.7-7	<a href="#">JC73-00140A</a>	RPR-FRICTION PAD;ML-1510,NBB,1T 8.9*47,5	P0034	SA
7.7-9	JC61-00927A	PLATE-P-KNOCK UP_MP;ML-2250,SECC,1.0,252		SNA
7.7-10	JC72-00761A	PMO-ROLLER CAM.MP;SCX-5100,POM,WHITE,-,-	K4061	SA
7.7-11	<a href="#">JC73-00141A</a>	RPR-PAD CASSETTE;ML-1510,URETHANE SPONGE	R0020	SA
7.7-13	JC61-00926A	HOLDER-M-SENSOR_MP;ML-2250,ABS,-,22.3,36	H4108	SA
7.7-15	JC72-01338A	PMO-M-ACT EMPTY MP;ML-2250,PC,BLK,H31.4,	K3119	SA
7.7-16	JC39-00365A	CBF HARNESS-MPF SEN;SCX-4720F,CBF,UL1061	H1168	SA
7.7-17	JC97-02034A	MEA-PICK UP_MP;ML-2250,SEC,-,PICK UP-MP	D2174	SA
7.7-17-1	JC73-00194A	RUBBER-PICK UP MP;SCX-4720F,EPDM + IR,-,	P2148	SA
7.7-17-2	JC61-00925A	HOUSING-M_PICK UP_MP;ML-2250,PC+ABS,-,20	D2177	SA
7.7-17-3	JC61-00910A	HOUSING-M-PICK UP2_R2;SCX-4920N,PC+ABS,-	M2078	SA
7.7-18	JC66-00710A	GEAR-M-PICK UP_MP;ML-2250,POM,0.8,33,-,-	P2110	SA
7.7-20	JC66-00709A	GEAR-M-HOLDER_MP;ML-2250,POM,0.8,33,-,-,	H4073	SA
7.7-21	JC66-01205A	CAM-M_PICK UP MP;ML-3051ND,POM,-,16.5*23	D2172	SA
7.7-22	JC66-00399A	SHAFT-P-PICK_UP;ML-1710,SECC,-,-,-,0.8	P2160	SA
7.7-23	JC61-00915A	STOPPER-M-PICK UP_R2;SCX-4920N,POM(DELIN	K3752	SA
7.7-24	JC72-00982A	PMO-IDLE PICK_UP;ML-1710,POM(M90-44),NTR	P2131	SA
7.7-25	JC66-00720A	SHAFT-P-CORE;ML-1750,SECC 1.2T,203,-,-,-	O1068	SA
7.7-26	JC61-00587A	BUSH-M-PICK_UP R;ML-1710,POM(M90-44)-,-	P2067	SA
7.7-27	JC61-00932A	BRACKET-P-PICKUP_MP;ML-2250,SECC,1.2,57.	P2122	SA
7.8-1	JC31-00047A	MOTOR DC-BLDC MAIN;- ,SCX-5530FN,-,-,-,-,	D2108	SA
7.8-2	JC61-01593A	BRACKET-P-GEAR MAIN;SCX-5530FN,SECC,1.6,		SNA
7.8-3	JC61-01597A	BRACKET-P-MOTOR MAIN;SCX-5530FN,SECC,1.2		SNA
7.8-4	JC66-01156A	GEAR-OPC RDCN 93/61;SCX-5530FN,POM,0.4/0		SNA
7.8-5	JC66-01157A	GEAR-OPC DRV 113/33;SCX-5530FN,POM,0.5/0		SNA
7.8-6	JC66-01162A	GEAR-FEED RDCN 55/18;SCX-5530FN,POM,0.5/		SNA
7.8-7	6031-000023	WASHER-PLAIN;- ,ID5.9,OD10.0,T0.5,BLK,POL		SNA
7.8-8	6302-001056	GASKET;KHP-1495,L300,NTR,PE5321		SNA
7.9-1	JC61-01598A	BRACKET-P-FUSER EXIT;SCX-5530FN,SECC,1.6		SNA
7.9-2	JC31-00037E	MOTOR STEP-MAIN;M55SP-2NK,SCX-5530FN,1.2	D2160	SA
7.9-3	JC66-01158A	GEAR-EXIT RDCN 87/24;SCX-5530FN,POM,0.4/		SNA
7.9-6	JC66-01163A	GEAR-FUSER RDCN IN 95;SCX-5530FN,POM,0.4		SNA
7.9-7	JC66-00417A	GEAR-RDCN FUSER OUT;ML-2150,RAL4032,1.0,	F4099	SA
7.9-8	JC66-00340A	GEAR-HUB CLUTCH;SCX-5100,POM,M0.8,Z13,-,	C9033	SA
7.9-9	<a href="#">JC66-01210A</a>	GEAR-FUSER IDLE FR;SCX-5530FN,NYLON,1.0,	D2173	SA
7.10-2	JC61-01596A	BRACKET-P-ALIGN DUP;SCX-5530FN,SECC,0.8,		SNA
7.10-3	JC61-00665A	BUSH-M-FEED_DUP;ML-2150,POM, SW01,4.0,7	F6042	SA
7.10-4	JC96-03662B	ELA UNIT-ROLLER_DUP2;SCX-5530FN,-,-,DUPL		SNA
7.10-5	JC66-00899A	PULLEY-18_DUP;ML-3560,POM,HB,WHITE,ID4.1	D2118	SA
7.10-6	JC66-00038A	GEAR-EXIT F/DOWN;ML-4500,POM,WHT,-,-	E4039	SA
7.10-7	JC96-03662A	ELA UNIT-ROLLER_DUP;ML-3560,-,-,DUPLX,-		SNA
7.10-8	JC66-00900A	PULLEY-M-18-DUMMY_DUP;ML-3560,POM,HB,WHI	D2119	SA
7.10-10	JC65-00017A	TERMINAL-P-GND DUP;SCX-5530FN,C5210W,-,-		SNA
7.10-11	JC61-01595A	GUIDE-M_UPPER DUP;SCX-5530FN,ABS+GF20%,2		SNA
7.10-12	6107-001156	SPRING-TS;SWP-B,-,PI0.6,-,-,-,W20,ID3.5,	Z4317	SA
7.10-13	JK72-00058A	PCT-SILP WASHER;SRP-350,P.A+GRAPHITE,T0.		SNA
7.10-14	JC66-00896A	ROLLER-M-IDLE_DUP;ML-3560,POM,OD9.6,14.	D2117	SA
7.10-15	JC66-00444A	SHAFT-IDLE ROLL_DUP;ML-2150,SUM24L,25,2	S4108	SA
7.10-9	JC66-20901A	BELT-TIMMING;B32S2M280,CR+FG+NYLON,-,W3.	B2018	SA
7.11-1	JC63-01005A	COVER-M_FUSER;SCX-5525DN,PET+GF30%,-,46,		SNA
7.11-2	1404-001364	THERMISTOR-NTC ASSY;7KOHM,-,3370K,0.3MW/		SNA

SA : SERVICE AVAILABLE SNA : SERVICE not AVAILABLE

Drawer#	SEC-Code	Description & Specification	Location	Service
7.11-3	4712-001031	THERMOSTAT;125/250VAC,15/7.5A,170+-5C,0C	D2129	SA
7.11-4	4713-001207	LAMP-HALOGEN;115V,-,800W,-,-,6X284MM		SA
7.11-7	6107-001159	SPRING-TS;SUS304,-,PI0.45,D3.85,L20,-,W1	Z4394	SA
7.11-8	6107-001193	SPRING-CS;SUS304-WPB,YEL,PI1.1,D6.1,L19.	S0032	SNA
7.11-9	JC61-70903A	SPRING ETC-ACTUATOR;ML-165,SUS304,PI0.2,	Z4132	SA
7.11-10	6107-001291	SPRING-ES;SUS304-WPB,NTR,PI0.12,D2.48,L8		SNA
7.11-11	JC39-00520A	CBF HARNESS-FUSER CON;SCX-5530FN,CBF,UL3	D2131	SA
7.11-12	JC39-00521A	CBF HARNESS-FUSER REC;SCX-5530FN,CBF,UL3		SA
7.11-13	JC61-00785A	HOLDER-M-IDLE ROLLER;ML-2150,PC,-,-,BL	H4027	SA
7.11-14	JC61-01305A	HOLDER-M_JAM L;ML-2550,PC+GF20%,T1.5,12.		SNA
7.11-15	JC61-01306A	HOLDER-M_JAM R;ML-2550,PC+GF20%,T1.5,13.		SNA
7.11-16	JC61-01625A	HOLDER-M_REAR_LEVER;SCX-5530FN,PC,NH-102		SNA
7.11-17	JC61-01632A	FRAME-P-FUSER;SCX-5530FN,SECC,-,-,1.2,		SNA
7.11-18	JC61-01628A	GUIDE-M_INPUT;SCX-5530FN,PET+GF30%,2,29.		SNA
7.11-19	JC61-01629A	BUSH-M_HR R;SCX-5530FN,PPS(RFKB-9),28,9,		SNA
7.11-20	JC61-01631A	BUSH-M_HR L_LAMP;SCX-5525DN,PPS(RFKB-9),		SNA
7.11-21	JC66-00402A	SHAFT-M-EXIT_F/UP;ML-2150,PBT+GF30%,-,-,	S4119	SA
7.11-22	JC66-00425A	GEAR-IDLE 33;ML-2150,RAL4032,1.0,33,8,YE	G0268	SA
7.11-24	JC66-00957A	LEVER-M_LINK JAM;ML-2550,PET+GF30%,T1.5M		SNA
7.11-25	JC66-01192A	GEAR-M_FUSER;SCX-5525DN,PPS(OFL4036),1,3		SNA
7.11-26	JC66-01194A	ROLLER-HEAT;SCX-5525DN,AL5052 PIPE T0.9M		SNA
7.11-27	JC66-01195A	ROLLER-PRESSURE;SCX-5530FN,LSR+PFA,32,25		SNA
7.11-28	JC66-10901A	BEARING-PRESSURE/R;ML-165,PPS(RBA313N),-	O1091	SA
7.11-30	JC70-20901A	IEX-SHAFT IDLE,F/UP;ML-5000A,SUS304,-,PI	D2149	SA
7.11-31	JC72-00382A	PMO-BUSHING TX;ML-6060A,POM M9044,BLK,-,		SNA
7.11-32	JC66-01284A	ACTUATOR-EXIT;SCX-5530FN,PBT+GF30,2,3,57	D2147	SA
7.11-33	JC75-00095A	MEC-BRUSH ANTISTATIC;ML-6060A,SEC,NTR	M0022	SA
7.11-34	JC72-41128B	PMO-GUIDE CLAW GREEN;SCX-5530FN,PEEK,BLK	D2152	SA
7.11-35	JC73-40909B	RMO-RUBBER EXIT_F/UP;ML-2150,EPDM,12 XS		SNA
7.11-36	JC72-20902A	PEX-ROLLER F/UP(2);ML-5000A,TEFLON,WHT,-	O1106	SA
7.11-37	JC72-40981A	PMO-ROLLER UPPER DP;ML-165,POM,WHT,HB,-	K4068	SA
7.11-38	JC61-01633A	GUIDE-M_REAR;SCX-5530FN,PET+GF30%,-,-,24		SNA
7.11-39	JC61-01627A	BRACKET-P-FUSER;SCX-5530FN,SECC,T1.2,-,-		SNA
7.12-4	JC97-01931A	MEA UNIT-HOLDER PAD;SCX-4920N,DELL,-,HOL	P0014	SA
7.12-4-1	JC61-00580A	HOLDER-M-PAD;ML-1710,PC+ABS(NH-1023P),-	P0034	SA
7.12-4-2	JC63-00407A	SHEET-HOLDER PAD R2;SCX-4920N,PC,0.125T,		SNA
7.12-4-3	JC70-00314A	IPR-PLATE PAD;ML-1710,SUS304-CSP,-,0.1,-	P0009	SA
7.12-6	JC61-00603A	PLATE-P-KNOCK_UP;ML-1710,SECC,1,250.7,16		SNA
7.12-7	6107-001166	SPRING-CS;SUS304-WPB,-,PI0.65,D12.65,L59	Z4199	SA
7.12-8	JC66-00719A	CAM-M-KNOCK UP;ML-1750,POM(KOLON K700),-		SNA
7.12-9	JC61-00876A	FRAME-M_CASSETTE;SF-755P,HIPS,HR-1360,HB		SNA
7.12-12	JC72-00972A	PMO-PLATE_LOCKER;ML-1710,POM(M90-44),WHT	L6051	SA
7.12-13	JG61-70531A	SPRING ETC-LOCKER,PLATE;SF6000,STS304WPB	S0025	SA
#N/A	JC68-00761A	MANUAL-PRC;COMMON,SEA,ENGLISH,USA,MOJO 1		SNA
#N/A	JC68-01663A	MANUAL-QIG;ML-3050,SAMSUNG,16 LANGUAGE,-		SNA
#N/A	JC69-00913A	BOX-MAIN;ML-3051ND,DC3,A-1,393,483,597,5		SA
#N/A	JC96-03762A	ELA UNIT-DUPLEX DRIVE;SCX-5530FN,SEC,-,-	D2102	SA
#N/A	JC96-03764A	ELA HOU-ENGINE;ML-3051ND,-,-,DOVE,-,-,-		SNA
#N/A	JC96-04052A	ELA HOU-SMPS;SCX-5530FN,-,-,ELBERT,110V,		SA
#N/A	JC97-02393A	MEA UNIT-DUPLEX;SCX-5530FN,SEC,-,-,-,-	D2105	SA
#N/A	JC99-01932A	PAA-LABEL;ML-3050,SEC,-,LABEL,-,-		SNA
#N/A	JC99-01933A	PAA WOOD-PACKING;ML-3050,SEC,-,PACKING M		SNA
#N/A	JC99-01951B	INA-ACCESSORY;ML-3051N,SAMSUNG,XAA,-,-,-		SNA
#N/A	0202-001240	SOLDER-WIRE;HSE-01,-,D3,SN/0.5CU/0.03NI/		SNA
#N/A	0202-001492	SOLDER-WIRE FLUX;HSE-02 LFM48 SR-34 S,-,		SNA
#N/A	0203-001100	TAPE-OPP MASKING;OPP/W75/CLR,T0.05,W75,L		SNA

SA : SERVICE AVAILABLE SNA : SERVICE not AVAILABLE

Drawer#	SEC-Code	Description & Specification	Location	Service
#N/A	0204-000469	THINNER;#4662,-,0.795,-		SNA
#N/A	0204-002978	FLUX;KSP-70L,-,84%,FLUX,SPRAY		SNA
#N/A	2801-003886	CRYSTAL-UNIT;12MHZ,50ppm,28-AAA,16pF,50o		SNA
#N/A	2801-004414	CRYSTAL-UNIT;25MHZ,50PPM,HC-49/S,12PF,50		SNA
#N/A	3702-000118	CONNECTOR-RIBBON;36P,FEMALE,ANGLE,AU		SNA
#N/A	3709-001131	CONNECTOR-CARD EDGE;100P,1.27MM,STRAIGHT		SNA
#N/A	3711-002000	HEADER-BOARD TO CABLE;BOX,18P,2R,2mm,STR		SNA
#N/A	3711-002808	HEADER-BOARD TO CABLE;BOX,7P,1R,2mm,STRA		SNA
#N/A	3711-002811	HEADER-BOARD TO CABLE;BOX,10P,1R,2mm,STR		SNA
#N/A	3711-003408	HEADER-BOARD TO CABLE;BOX,2P,1R,2mm,STRA		SNA
#N/A	3711-003409	HEADER-BOARD TO CABLE;BOX,3P,1R,2mm,STRA		SNA
#N/A	3711-003410	HEADER-BOARD TO CABLE;BOX,4P,1R,2mm,STRA		SNA
#N/A	3711-003411	HEADER-BOARD TO CABLE;BOX,5P,1R,2mm,STRA		SNA
#N/A	3711-003942	HEADER-BOARD TO CABLE;BOX,2P,1R,2MM,STRA		SA
#N/A	3711-003968	HEADER-BOARD TO CABLE;BOX,3P,1R,2.5mm,ST		SA
#N/A	3711-003969	HEADER-BOARD TO CABLE;BOX,2P,1R,2.5mm,ST		SNA
#N/A	3711-003981	HEADER-BOARD TO CABLE;BOX,28P,2R,2mm,STR		SA
#N/A	3711-004349	HEADER-BOARD TO CABLE;BOX,3P,1R,2MM,STRA		SA
#N/A	3722-000124	JACK-DIN;8P,-,AU,BLK,-		SNA
#N/A	3722-002303	JACK-USB;4P/1C,AU30U,BLK,ANGLE,B TYPE		SA
#N/A	3722-002381	JACK-MODULAR;8P/8C,INVERTED,Y,ANGLE,GRN/		SNA
#N/A	6001-000130	SCREW-MACHINE;BH,+,M3,L6,ZPC(WHT),SWRCH1	-	SA
#N/A	6001-000568	SCREW-MACHINE;PH,+,M3,L8,NI PLT,SWRCH18A		SA
#N/A	6902-000288	BAG PE;LDPE,T0.05,W250,L450,TRP,8,2-		SNA
#N/A	6902-000312	BAG PE;HDPE,T0.015,W1000,L900,TRP,8,4-		SNA
#N/A	JB68-00073A	LABEL(R)-BAR CODE;SF-3000,PY,38X6.5,T0.1		SNA
#N/A	JB68-00916A	LABEL RATING-BLANK;SF-340,SEC,TETRON,0.0		SNA
#N/A	JC02-00047A	TONER-ELDO;SCX-5530FN,-,-,8.5UM,-,-,-		SNA
#N/A	JC31-00048A	MOTOR STEP-DUPLEX;M42SP-4NK,SCX-5530FN,0	D2109	SA
#N/A	JC39-00530A	CBF HARNESS-DPX MTR;SCX-5530FN,CBF,UL 10	D2112	SA
#N/A	JC46-00255A	S/W APPLICATION-CD;-ML-3560,-,PRT DRV,1		SNA
#N/A	JC46-00276A	S/W APPLICATION-CD;-ML-3050,PRT DRV,1.0		SNA
#N/A	JC46-00277A	S/W APPLICATION-CD;-ML-3050PS,PRT DRV,1		SNA
#N/A	JC61-00918B	GUIDE-M-EXTENSION L2;ML-2250,HIPS,-,184.	E5013	SA
#N/A	JC61-01594A	FRAME-M_DUP;SCX-5530FN,PC+ABS,-,-,DARKMA		SNA
#N/A	JC61-01599A	BRACKET-P-GEAR DUP;SCX-5530FN,SECC,1.2,6		SNA
#N/A	JC61-01615A	FRAME-M_DEV UPPER;SCX-5530FN,ABS,-,HB,BL		SNA
#N/A	JC61-01692A	SUPPORT-HOLDER PAD;SCX-5530FN,POLYAMIDE		SNA
#N/A	JC63-00965A	COVER-M_SIDE R;ML-3051ND,ABS,2.5,398.4,2		SA
#N/A	JC63-00974A	COVER-M_SUB CST;ML-3051ND,HIPS,2.5,393.9		SNA
#N/A	JC64-00253A	INDICATOR-M_CASSETTE;SCX-5530FN,HIPS,-,B		SNA
#N/A	JC66-01159A	GEAR-DUP RDCN 45/19;SCX-5530FN,POM,0.4/0		SNA
#N/A	JC68-00690A	MANUAL-(CARD)WARRANTY CARD;ML-1210,XEU,E		SNA
#N/A	JC68-00761B	MANUAL-REGISTRATION CARD;COMMON,XAC,FREN		SNA
#N/A	JC68-00761C	MANUAL-WARRANTY CARD;COMMON,XAC,FRENCH,C		SNA
#N/A	JC68-00761D	MANUAL-REGISTRATION;COMMON,XAA,FRENCH,CA		SNA
#N/A	JC68-01381B	LABEL(R)-PPID(DEVE);COMMON,DELL,ART,0.05		SNA
#N/A	JC68-01563A	MANUAL-800 SEC CARD;COMMON,XAA,ENGLISH,E		SNA
#N/A	JC68-01579A	MANUAL-NETWORK GUIDE;CLP-600N,SEC,-,COMM		SNA
#N/A	JC68-01584A	LABEL(P)-BLANK 90*25;CLP-510,SEE,ART 100	D2120	SA
#N/A	JC68-10914D	LABEL(P)-SERIAL NO;ML-85,ART,70X15,G100,		SNA
#N/A	JC68-10932A	LABEL(P)-BLANK(ML);ML-85,ART,70X60,G100,		SNA
#N/A	JC69-00921A	CUSHION-MAIN_R;ML-3050,EPS,50,385,595,12		SNA
#N/A	JC69-00921B	CUSHION-MAIN_L;ML-3050,EPS,50,385,595,14		SNA
#N/A	JC69-00921C	CUSHION-MAIN;ML-3050,EPS,20,81,289,35,10		SNA
#N/A	JC70-00300A	ADJUST-M-CASSETTE_L;ML-1400,ABS,-,-,VI	K2014	SA

SA : SERVICE AVAILABLE SNA : SERVICE not AVAILABLE

Drawer#	SEC-Code	Description & Specification	Location	Service
#N/A	JC70-00301A	ADJUST-M-CASSETTE_R;ML-1400,ABS,-,-,-,VI	K2015	SA
#N/A	JC72-00971A	PMO-EXTENSION SMALL;ML-1710,ABS(HF-0660I	E5014	SA
#N/A	JC94-01145A	PHANTOM AU JC92-01745B		SNA
#N/A	JC96-03760A	ELA HOU-FRAME ETC;SCX-5530FN,-,-,ELBERT,		SNA
#N/A	JC97-01692A	MEA UNIT- ROLLER CLEAN;ML-2150,SAMSUNG,-	K3609	SA
#N/A	JC97-02001B	MEA-PROTECTION CARD;ML-2250,SEC,-,PROTEC		SNA
#N/A	JC97-02390A	MEA ETC-DEVE;SCX-5530FN,SEC,DOMESTIC,-,-		SNA
#N/A	JC97-02425A	MEA-CHARGE ROLLER;SCX-5530FN,SEC,DOMESTI		SNA
#N/A	JF68-10532B	LABEL(P)-BAR CODE;CLP-500,-,YUPO PAPER,1		SNA
#N/A	0201-001162	ADHESIVE-CYA;LOCTITE403,NTR,1250,20G		SNA
#N/A	0201-001183	ADHESIVE-AA;ARON ALPHA #202F,NTR,100,20G		SNA
#N/A	0201-001235	ADHESIVE-TS;DEH-390D,RED,400,-		SNA
#N/A	0202-001459	SOLDER-CREAM;S3X58-M405,-,D20~38\$,96.5SS		SNA
#N/A	0203-001159	TAPE-FILAMENT;#8915,T0.15,W12,L55000,CLR		SNA
#N/A	0203-001846	TAPE-CONDUCTIVE;DK-K102MM-5-7,CONDUCTIVE		SNA
#N/A	0205-000005	GREASE-BEARING;EP56,DIAMOND HYDRO FLUID,		SNA
#N/A	0205-001003	GREASE-BEARING;NYOGEL788,DAMPING GREASE,		SNA
#N/A	0205-001059	GREASE-BEARING;PETAMO GHV 133,BEIGE,15KG		SNA
#N/A	0205-001067	GREASE-GRAPHITE;NYOGEL 756G,HYDRO CARBON		SNA
#N/A	0205-001080	GREASE-BEARING;NYOGEL 774H,NOISE DAMPING		SNA
#N/A	0205-001144	GREASE-BEARING;SF-112,HANARL,NOISE TAMPI		SNA
#N/A	0401-000116	DIODE-SWITCHING;MMSD914T1,100V,200MA,SOD		SNA
#N/A	0402-000129	DIODE-RECTIFIER;1N4003,200V,1A,DO-41,TP		SA
#N/A	0404-000112	DIODE-SCHOTTKY;RB420D,40V,100MA,SOT-23,T		SA
#N/A	0407-000122	DIODE-ARRAY;KDS226,80V,300mA,C2-3,SOT-23		SA
#N/A	0501-000457	TR-SMALL SIGNAL;MMBT2222A,NPN,350mW,SOT-		SA
#N/A	0501-000632	TR-SMALL SIGNAL;2SB1197K,PNP,200mW,SOT-2		SA
#N/A	0601-001830	LED;SMD,GRN,1.6x0.8x0.4mm,570nm,1.6x0.8x		SA
#N/A	0801-002379	IC-CMOS LOGIC;74LCX16245,TRANSCEIVER,TSS		SA
#N/A	0801-002446	IC-CMOS LOGIC;74LCX14,SCHMITT INVERTER,T		SNA
#N/A	0904-001989	IC-USC;ISP1582BS,-,HVQFN56,56P,8X8X0.85M		SA
#N/A	1003-001535	IC-MOTOR DRIVER;A3977SLP,TSSOP,28P,9.6X4		SA
#N/A	1003-001729	IC-MOTOR DRIVER;AN44060A,HSOP,28P,326MIL		SA
#N/A	1006-001224	IC-LINE TRANSCEIVER;74LVX161284,TSSOP,48		SA
#N/A	1103-001279	IC-EEPROM;24C32,4Kx8,SOP,8P,5x4mm,2.5/5.		SA
#N/A	1105-001384	IC-DRAM;K4S561632,-,256MBIT,4X4MX16BIT,T		SA
#N/A	1107-001590	IC-FLASH MEMORY;S29GL064M,64MBIT,8MX8/4M		SA
#N/A	1202-000164	IC-VOLTAGE COMP.;393,SOP,8P,150MIL,DUAL,		SA
#N/A	1203-002233	IC-RESET;XC61F,SOT-23,3P,-,PLASTIC,0.7/1		SNA
#N/A	1203-003739	IC-DC/DC CONVERTER;MVPG31,DFN,12P,4X3MM,		SNA
#N/A	1205-002339	IC-CLOCK GENERATOR;CY25811SC,SOIC,8P,150		SA
#N/A	1205-002762	IC-TRANSCEIVER;BCM5241KMLG,MLP,32P,5X5MM		SNA
#N/A	2005-000419	R-WIRE WOUND,NON;0.33ohm,1%,1W,AA,TP,4.3		SNA
#N/A	2007-000070	R-CHIP;0ohm,5%,1/10W,TP,1608		SA
#N/A	2007-000071	R-CHIP;22ohm,5%,1/10W,TP,1608		SA
#N/A	2007-000074	R-CHIP;100ohm,5%,1/10W,TP,1608		SA
#N/A	2007-000076	R-CHIP;330ohm,5%,1/10W,TP,1608		SA
#N/A	2007-000078	R-CHIP;1Kohm,5%,1/10W,TP,1608		SA
#N/A	2007-000082	R-CHIP;3.3Kohm,5%,1/10W,TP,1608		SA
#N/A	2007-000084	R-CHIP;4.7Kohm,5%,1/10W,TP,1608		SA
#N/A	2007-000086	R-CHIP;5.6Kohm,5%,1/10W,TP,1608		SA
#N/A	2007-000090	R-CHIP;10Kohm,5%,1/10W,TP,1608		SA
#N/A	2007-000091	R-CHIP;12Kohm,5%,1/10W,TP,1608		SA
#N/A	2007-000094	R-CHIP;22Kohm,5%,1/10W,TP,1608		SA
#N/A	2007-000096	R-CHIP;30Kohm,5%,1/10W,TP,1608		SA
#N/A	2007-000098	R-CHIP;56Kohm,5%,1/10W,TP,1608		SA

SA : SERVICE AVAILABLE SNA : SERVICE not AVAILABLE

Drawer#	SEC-Code	Description & Specification	Location	Service
#N/A	2007-000105	R-CHIP;200Kohm,5%,1/10W,TP,1608		SA
#N/A	2007-000107	R-CHIP;470Kohm,5%,1/10W,TP,1608		SA
#N/A	2007-000113	R-CHIP;33ohm,5%,1/10W,TP,1608		SA
#N/A	2007-000119	R-CHIP;560ohm,5%,1/10W,TP,1608		SA
#N/A	2007-000123	R-CHIP;1.5Kohm,5%,1/10W,TP,1608		SA
#N/A	2007-000134	R-CHIP;33Kohm,5%,1/10W,TP,1608		SA
#N/A	2007-000309	R-CHIP;10ohm,5%,1/10W,TP,1608		SA
#N/A	2007-000402	R-CHIP;150ohm,5%,1/10W,TP,1608		SA
#N/A	2007-000475	R-CHIP;1Mohm,1%,1/10W,TP,1608		SA
#N/A	2007-000539	R-CHIP;200ohm,5%,1/10W,TP,1608		SA
#N/A	2007-000704	R-CHIP;3.6Kohm,5%,1/10W,TP,1608		SA
#N/A	2007-000729	R-CHIP;300ohm,5%,1/10W,TP,1608		SA
#N/A	2007-000839	R-CHIP;39ohm,5%,1/10W,TP,1608		SA
#N/A	2007-000965	R-CHIP;5.1Kohm,5%,1/10W,TP,1608		SA
#N/A	2007-001002	R-CHIP;510ohm,5%,1/10W,TP,1608		SA
#N/A	2007-001056	R-CHIP;6.2Kohm,5%,1/10W,TP,1608		SA
#N/A	2007-001139	R-CHIP;7.5Kohm,1%,1/10W,TP,1608		SA
#N/A	2007-002901	R-CHIP;12.1Kohm,1%,1/10W,TP,1608		SA
#N/A	2007-002916	R-CHIP;475Kohm,1%,1/10W,TP,1608		SA
#N/A	2007-007226	R-CHIP;49.9ohm,1%,1/10W,TP,1608		SNA
#N/A	2007-007239	R-CHIP;31.6Kohm,1%,1/10W,TP,1608		SNA
#N/A	2007-007482	R-CHIP;1.24Kohm,1%,1/10W,TP,1608		SNA
#N/A	2007-007521	R-CHIP;14.7Kohm,1%,1/10W,TP,1608		SA
#N/A	2007-007733	R-CHIP;51ohm,1%,1/10W,TP,1608		SNA
#N/A	2007-008371	R-CHIP;280Kohm,1%,1/10W,TP,1608		SNA
#N/A	2007-008567	R-CHIP;15.4Kohm,1%,1/10W,TP,1608		SNA
#N/A	2011-000002	R-NET;22ohm,5%,1/16W,L,CHIP,8P,TP,3216		SA
#N/A	2011-000881	R-NET;33ohm,5%,1/16W,L,CHIP,8P,TP,3.2x1.		SA
#N/A	2011-001094	R-NET;39OHM,5%,1/16W,L,CHIP,8P,TP		SA
#N/A	2011-001334	RC-NETWORK;1K/5.1K/39ohm,10%,150pF,-,6V,		SNA
#N/A	2203-000189	C-CER,CHIP;100nF,+80-20%,25V,Y5V,1608		SA
#N/A	2203-000206	C-CER,CHIP;100nF,10%,50V,X7R,2012		SA
#N/A	2203-000236	C-CER,CHIP;0.1nF,5%,50V,C0G,1608		SA
#N/A	2203-000257	C-CER,CHIP;10nF,10%,50V,X7R,1608		SA
#N/A	2203-000332	C-CER,CHIP;0.012nF,5%,50V,C0G,1608		SNA
#N/A	2203-000357	C-CER,CHIP;0.15nF,5%,50V,C0G,1608		SA
#N/A	2203-000384	C-CER,CHIP;0.015nF,5%,50V,C0G,1608		SA
#N/A	2203-000440	C-CER,CHIP;1nF,10%,50V,X7R,1608		SA
#N/A	2203-000491	C-CER,CHIP;2.2nF,10%,50V,X7R,1608		SA
#N/A	2203-000626	C-CER,CHIP;0.022nF,5%,50V,C0G,1608		SA
#N/A	2203-000783	C-CER,CHIP;0.33nF,5%,50V,C0G,1608		SA
#N/A	2203-000815	C-CER,CHIP;0.033nF,5%,50V,C0G,1608		SA
#N/A	2203-001086	C-CER,CHIP;0.0050nF,0.25pF,50V,NP0,1608		SA
#N/A	2203-002392	C-CER,CHIP;220nF,+80-20%,50V,Y5V,2012		SA
#N/A	2203-005249	C-CER,CHIP;100nF,10%,50V,X7R,1608		SNA
#N/A	2203-005384	C-CER,CHIP;4700nF,+80-20%,10V,Y5V,2012		SA
#N/A	2203-005819	C-CER,CHIP;1000nF,+80-20%,16V,Y5V,-,1608		SNA
#N/A	2203-006474	C-CER,CHIP;22000nF,20%,6.3V,X5R,2012		SA
#N/A	2203-006646	C-CER,CHIP;10000nF,10%,6.3V,X5R,2012		SA
#N/A	2401-000042	C-AL;100uF,20%,16V,GP,TP,6.3x7,5		SA
#N/A	2401-002300	C-AL;47uF,20%,50V,GP,TP,6.3x11,5		SA
#N/A	2402-000008	C-AL,SMD;47uF,20%,16V,GP,TP,6.6x6.6x5.4		SA
#N/A	2402-000173	C-AL,SMD;4.7uF,20%,35V,GP,TP,4.3x4.3x5.4		SA
#N/A	2402-001178	C-AL,SMD;10uF,20%,16V,WT,TP,4.3x4.3x5.8m		SA
#N/A	2703-002055	INDUCTOR-SMD;2.2UH,20%,6363		SNA
#N/A	3301-000317	BEAD-SMD;120ohm,2012,TP,-,-		SA

SA : SERVICE AVAILABLE SNA : SERVICE not AVAILABLE

Drawer#	SEC-Code	Description & Specification	Location	Service
#N/A	3301-000319	BEAD-SMD;26ohm,2x1.25x0.9mm,600mA,TP,,,0		SA
#N/A	3301-000325	BEAD-SMD;60ohm,3.2x2.5x1.3mm,400mA,TP,,,		SNA
#N/A	3711-005982	HEADER-BOARD TO BOARD;BOX,60P,2R,0.8MM,S		SA
#N/A	6002-000440	SCREW-TAPPING;PWH,+,-,2,M3,L8,ZPC(BLK),S		SA
#N/A	6044-000107	RING-C;ID2.5,OD6,T0.4,PASS,STS304	Z4396	SA
#N/A	6501-000004	CABLE TIE;DA-80,T1,W2.5,L80,NTR,NYLON66	K2756	SA
#N/A	6902-000332	BAG CONDUCTIVE;PE+CARBON,T0.1,W250,L500,		SNA
#N/A	JC13-00028A	IC ASIC-SPGPV3;SPGPV3,ML-2550_VE,496PIN,		SA
#N/A	JC41-00320A	PCB-MAIN CONTROLLER;ML-3051ND,FR-4,6,-,1		SNA
#N/A	JC61-01588A	HOLDER-M_LOCKER;ML-3051ND,HIPS HB,-,118.	D2136	SA
#N/A	JC61-01590A	HOLDER-M_DR L;SCX-5530FN,PC,-,10.2,18.5,		SNA
#N/A	JC61-01591A	HOLDER-M_DR R;SCX-5530FN,PC,-,8.2,18.5,B		SNA
#N/A	JC61-01612A	FRAME-M_DEV LOWER;SCX-5530FN,ABS,-,HB,BL		SNA
#N/A	JC61-01614A	FRAME-M_CAP CR;SCX-5530FN,ABS,-,HB,BLK,-		SNA
#N/A	JC62-00140A	SEAL-BLADE SIDE_BK;CLP-500,PE FORM,GRAY,		SNA
#N/A	JC62-00143A	SEAL-PROTECTION CARD;SCX-4920,POLYURETHA		SNA
#N/A	JC62-00149A	SEAL-CAP DEVE;ML-1610,POLYURETHANE FOAM,		SNA
#N/A	JC62-00150A	SEAL-SUS BLADE;ML-1610,POLYURETHANE FOAM		SNA
#N/A	JC62-00156A	SEAL-BOSS_R;ML-1610,CR,BLACK,T5,-,D7.5,-		SNA
#N/A	JC62-00252A	SEAL-DEVE;SCX-5530FN,PTFE FELT+PORON,-,3		SNA
#N/A	JC62-00253A	SEAL-SUPPORT L;SCX-5530FN,PORON,-,6,7.84		SNA
#N/A	JC62-00254A	SEAL-SUPPORT R;SCX-5530FN,PORON,-,6,7.84		SNA
#N/A	JC62-00255A	SEAL-SUPPLY;SCX-5530FN,CR,NTR,5,5.57,7.		SNA
#N/A	JC62-00344A	SEAL-FILM REAR;SCX-5530FN,PET FILM,-,0.0		SNA
#N/A	JC63-00446E	TRAY-M-ASF_INPUT UPPER;ML-3051ND,HIPS,-,	D2137	SA
#N/A	JC63-00447E	TRAY-M-ASF_FOLDER;ML-3051ND,HIPS,2.5,235	D2138	SA
#N/A	JC63-00916A	SHIELD-P-CONTROLLER;ML-3051ND,SECC,0.8,1	D2139	SA
#N/A	JC63-00918A	GROUND-P-EARTH TR;SCX-5530FN,SUS301-1/2H		SNA
#N/A	JC63-00937A	COVER-M_STACKER REAR;SCX-5530FN,ABS,2.5,		SNA
#N/A	JC63-00964A	COVER-M_MIDDLE;ML-3051ND,HIPS,2.5,388.4,		SNA
#N/A	JC63-00966A	COVER-M_SIDE L;ML-3051ND,ABS,2.5,398.2,2	D2140	SA
#N/A	JC63-00967A	COVER-M_DIMM;ML-3051ND,ABS,2.5,117.5,210	D2141	SA
#N/A	JC63-00968A	COVER-M_FACE UP;ML-3051ND,ABS,2.5,291.9,		SNA
#N/A	JC63-00969A	COVER-M_FRONT;ML-3051ND,HIPS,2.5,394.0,1		SNA
#N/A	JC63-00970A	COVER-M_TOP;ML-3051ND,ABS,2.5,393.4,327.	D2142	SA
#N/A	JC63-00971A	TRAY-M-ASF_INPUT;ML-3051ND,HIPS,2.5,280.		SNA
#N/A	JC63-00972A	COVER-M_KEY MENU_LCD;ML-3051ND,HIPS,2.5,		SNA
#N/A	JC63-00978A	COVER-M_REAR;ML-3051ND,ABS,2.5,366.2,258		SNA
#N/A	JC63-01098A	SHEET-WNPC;SCX-5530FN,PC,0.254T,13.5,20.		SNA
#N/A	JC64-00044A	KEY-M-DUPLEX;ML-2150,ACRYL,-,-,NATURAL,-	K0037	SA
#N/A	JC64-00047A	KEY-M-SAVE MODE;ML-2150,ACRYL,-,-,NATURA	K0049	SA
#N/A	JC64-00233A	KNOB-M_LOCKER;ML-3051ND,HIPS,-,84.5,20.3	D2143	SA
#N/A	JC64-00234A	KEY-M_MENU;ML-3051ND,ABS,83.4*20.4,HB,DA		SNA
#N/A	JC64-00235A	KEY-M_BUTTON;ML-3051ND,ABS,84.4*39.3,HB,		SNA
#N/A	JC64-00236A	KEY-M_STOP;ML-3051ND,ABS,12.6*10,HB,SOFT		SNA
#N/A	JC66-00381A	GEAR-AGITATOR;ML-1710,POM,0.6,22,-,-,-,-	G0164	SA
#N/A	JC66-00435A	GEAR-IDLE CR 17;ML-2150,POM,F20-03,0.6,		SNA
#N/A	JC66-00436A	GEAR-CLEAN 23;ML-2150,HYTREL5526,0.6,23		SNA
#N/A	JC66-00538A	ROLLER-CLEANING;ML-2150,URETHANE FOAM+SU		SNA
#N/A	JC66-00696A	GEAR-IDLE 28/17;SCX-4920N,POM,0.6,28/17,		SNA
#N/A	JC66-00699A	GEAR-IDLE 37/19;SCX-4920N,POM,0.6/0.5,37		SNA
#N/A	JC66-00828A	ROLLER-CHARGE;ML-1610,NBR+ECO,D12,L230,N		SNA
#N/A	JC66-00901A	ROLLER-FEED_DUP;ML-3560,SUM24L+NBR,OD11.	D2145	SA
#N/A	JC66-01153A	GEAR-IDLE 23 FUSER;ML-3560,HTNFR52G30L,M		SNA
#N/A	JC66-01167A	ROLLER-FEED_DUP2;SCX-5530FN,SUM22L+NBR,O		SNA
#N/A	JC66-01178A	GEAR-DEVE;SCX-5530FN,POLYKETONE,0.8,15,-		SNA

SA : SERVICE AVAILABLE SNA : SERVICE not AVAILABLE

Drawer#	SEC-Code	Description & Specification	Location	Service
#N/A	JC66-01180A	GEAR-SUPPLY;SCX-5530FN,POM(DE8903),0.6,2		SNA
#N/A	JC66-01182A	GEAR-RDCN 16/18;SCX-5530FN,POM,0.8/0.6,1		SNA
#N/A	<a href="#">JC66-01189A</a>	LEVER-M_ACTUATOR FEED;SCX-5530FN,PBT+GF3		SNA
#N/A	JC66-01243A	ROLLER-DEVE;SCX-5530FN,NBR+ECO,?14.07,L:		SNA
#N/A	JC66-01283A	DAMPER-FRAME EXIT;SCX-5530FN,NBB,-,1,8,8		SNA
#N/A	JC66-01285A	ROLLER-SUPPLY;SCX-5530FN,Silicon Foam,iÉS		SNA
#N/A	JC66-40930A	GEAR-AGITATOR;ML-1650,POM,-,AW-01,-,NTR,		SNA
#N/A	JC67-00068C	CAP-M_SUB ACTUATOR;SCX-5530FN,HIPS HB,-,		SNA
#N/A	JC67-00147A	LENS LED-M_STATUS;ML-3051ND,PMMA(ACRYL),		SNA
#N/A	JC67-00152A	CAP-M_DEVE R;SCX-5530FN,ABS,2,8.5,36.5,B		SNA
#N/A	JC68-00317A	LABEL(R)-HOT CAUTION,KME;ML-7050,TETRON,		SNA
#N/A	JC68-00408A	LABEL(R)-LV FUSER;COMMON,PVC,-,110V,-,,		SNA
#N/A	JC68-01134A	LABEL(P)-BLANK(FUSER);ML-1710D3,-,WHITE		SNA
#N/A	JC68-01296B	MANUAL-DEVE SHEET;COMMON,SEC,-,ART,280		SNA
#N/A	JC68-01581A	LABEL(P)-CAUTION HOT;COMMON,SAMSUNG,PET,		SNA
#N/A	JC68-01668A	LABEL(P)-JAM REMOVAL;SCX-5530FN,-,WHITE		SNA
#N/A	JC68-01669A	LABEL(R)-FUSER;SCX-5530FN,-,WHITE PET,T0		SNA
#N/A	JC68-01790B	LABEL-BLANK;ML-3051ND,SEC,ART,0.05,50,13		SNA
#N/A	JC68-30928E	LABEL(P)-CAUTION, HOT_FU;COMMON,-,PET,T0	L0020	SNA
#N/A	JC70-00478D	ADJUST-M_MP L;SCX-5530FN,ABS,-,82,128.4,		SNA
#N/A	JC70-00479D	ADJUST-M_MP R;SCX-5530FN,ABS,-,82,128.4,		SNA
#N/A	JC70-40910A	ICT-SHAFT GEAR;ML-5000,SUM24L,iÉ4,-,-,S		SNA
#N/A	JC72-01346D	PMO-STACKER RX;ML-3051ND,HIPS,VIOLETSMOK	D2150	SA
#N/A	JC72-01349A	PPR-SPACER SR_L;ML-1610,PET OR PC,NTR,T0		SNA
#N/A	JC72-41051A	PMO-BUSHING RIGHT;ML-6000,POM(M90-44),BL	D2151	SA
#N/A	JC75-00044A	MEC-BUSHING AGI L;SF-5100,SEC,POM+SANTOP		SNA
#N/A	JC92-01750A	PBA SUB-OPE;ML-3051ND,SEC,-,-,-,-,80MM	D2153	SA
#N/A	JC96-03828A	ELA HOU-HVPS;SCX-5530FN,-,-,ELBERT,-,-,-		SNA
#N/A	JC97-01946A	MEA-AGITATOR 2;SCX-4920N,DELL,-,AGITATOR		SNA
#N/A	JC97-02407A	MEA-PLATE DEV L;SCX-5530FN,SEC,DOMESTIC,		SNA
#N/A	JC97-02408A	MEA-PLATE DEV R;SCX-5530FN,SEC,DOMESTIC,		SNA
#N/A	JC97-02409A	MEA ETC-OPC;SCX-5530FN,SEC,DOMESTIC,-,-,		SNA
#N/A	JC97-02427A	MEA-SUS BLADE;SCX-5530FN,SEC,DOMESTIC,-,		SNA
#N/A	JC97-02692A	MEA-AGITATOR;SCX-5530FN,SEC,-,-,-,-		SNA
#N/A	JG72-40960A	PMO-CAP TONER;SF6000,PP,BLK,-,-,VO,-,-,-		SNA
#N/A	0601-001459	LED;ROUND,GRN,3mm,570nm		SA
#N/A	3404-000165	SWITCH-TACT;12V,50mA,160gf,6x6mm,SPST	D2158	SA
#N/A	3711-002807	HEADER-BOARD TO CABLE;BOX,6P,1R,2mm,STRA		SNA
#N/A	3711-003035	HEADER-BOARD TO CABLE;BOX,14P,2R,2mm,STR		SA
#N/A	3711-004379	HEADER-BOARD TO CABLE;BOX,4P,1R,2mm,STRA		SA
#N/A	JB75-00382A	MEC-ANTISTATIC BRUSH ATT;SF-330,SAMSUNG,		SNA
#N/A	JC07-00003A	LCD-DISPLAY(XEV);VHX1620BHRC9,SCX-5312F/	D2159	SA
#N/A	JC39-00516A	CBF HARNESS-LCD;ML-3051ND,WIRE,UL2877,14	D2161	SA
#N/A	JC39-00517A	CBF HARNESS-CRUM2;SCX-5530FN,CBF,UL 1061	D2162	SA
#N/A	JC39-00573A	CBF HARNESS-LCD EXTEN;ML-3051ND,CBF,UL 1	D2167	SA
#N/A	JC41-00218A	PCB-TERMINAL;SCX-6320F,FR-4,2L,-,1.6T,54		SNA
#N/A	JC61-00025A	SPRING ETC-CS-CHARGE APOLLO;SF-5100,SUS		SNA
#N/A	JC61-01606A	BLADE-P_SUS;SCX-5530FN,SUS301-CSP 1/2H,		SNA
#N/A	JC61-01607A	BRACKET-P_BLADE;SCX-5530FN,SPCC,1.2,13.1		SNA
#N/A	JC61-01613A	FRAME-M_CLEANING;SCX-5530FN,ABS+GF20%,-,		SNA
#N/A	JC61-01616A	PLATE-M_DEVE L;SCX-5530FN,PC,-,34.3,161,		SNA
#N/A	JC61-01617A	PLATE-M_DEVE R;SCX-5530FN,PC,-,49.72,161		SNA
#N/A	JC62-00249A	SEAL-CLEAN L;SCX-5530FN,PTFE FELT+PORON,		SNA
#N/A	JC62-00250A	SEAL-CLEAN R;SCX-5530FN,PTFE FELT+PORON,		SNA
#N/A	JC62-00251A	SEAL-CLEAN SUB;SCX-5530FN,POLYURETHAN FO		SNA
#N/A	JC62-00304A	SEAL-FILM OPC;SCX-5530FN,URETHANE FILM,-		SNA

SA : SERVICE AVAILABLE SNA : SERVICE not AVAILABLE

Drawer#	SEC-Code	Description & Specification	Location	Service
#N/A	JC63-00383A	SHEET-FILM AGITATOR2;SCX-4920N,PET,0.1,1		SNA
#N/A	JC63-01153A	GROUND-P_BRUSH;SCX-5530FN,SUS301-1/2H,0.		SNA
#N/A	JC66-00823A	DRUM-OPC;ML-1610,AL A30 OR A60,-,24,248,		SNA
#N/A	JC66-01179A	GEAR-OPC L;SCX-5530FN,PC(LS-1250),0.8,29		SNA
#N/A	JC66-01185A	SHAFT-OPC;SCX-5530FN,SUS303,287,6,NTR,-,		SNA
#N/A	JC67-00153A	CAP-M_CRUM;SCX-5530FN,ABS,2,28.7,35.6,BL		SNA
#N/A	JC70-00153A	IPR-ELECTRODE CHARGE;ML-4500,SUS301,-,8.		SNA
#N/A	JC70-00526A	ELECTRODE-P_SR;SCX-5530FN,SUS301-CSP,-,-		SNA
#N/A	JC71-00009A	NPM-BUSHING DEV R;ML-6060,BRONZE,D7*12,-		SNA
#N/A	JC72-00081A	PMO-BUSHING AGI L;SF-5100,POM,BLK,-,-,-,		SNA
#N/A	JC72-00083A	PMO-HOLDER CR;SF-5100,POM,BLK,-,-,-,-,		SNA
#N/A	JC72-01309A	PPR-FILM AGITATOR;ML-2150,PET SHEET,NTR,		SNA
#N/A	JC72-01321A	PMO-AGITATOR 1;SCX-4920N,ABS+GF20,BLK,L2		SNA
#N/A	JC72-01322A	PMO-AGITATOR 2;SCX-4920N,ABS,BLK,216.8*3		SNA
#N/A	JC72-10925A	PPR-FILM SUPPORT AGI;ML-5000,PET T0.3,NT		SNA
#N/A	JC72-40332A	PMO-BUSHING_CHARGE;ML-80,POM,BLK,HB,-		SNA
#N/A	JC72-41105A	PMO-BUSHING DEV;ML-5000,POM,NTR,-,-,-,-,		SNA
#N/A	JC73-00101A	RPR-SEAL CLN BRKT;ML-6060,URETHANE FOAM,		SNA
#N/A	JC73-40906A	RMO-SEAL AGITATOR;ML-5000,SANTOPRENE,-,-		SNA
#N/A	JC75-00043A	MEC-GEAR OPC R;SF-5100,SEC,-,-,BLK,-,-,-		SNA
#N/A	JC92-01753A	PBA SUB-CRUM;SCX-5530FN,SEC,-,-,-,-,-,21		SNA
#N/A	JC94-01135A	REV 0.2		SNA
#N/A	JC94-01162A	REV 0.2		SNA
#N/A	JC97-02426A	MEA-CLEANING BLADE;SCX-5530FN,SEC,DOMEST		SNA
#N/A	0501-000279	TR-SMALL SIGNAL;KSA1182-Y,PNP,150mW,SOT-		SA
#N/A	0601-000003	LED;ROUND,RED/GRN,3.1MM,650/563NM,3.8X5.		SA
#N/A	0801-002469	IC-CMOS LOGIC;74HC14,SCHMITT INVERTER,TS		SA
#N/A	2007-000120	R-CHIP;680ohm,5%,1/10W,TP,1608		SA
#N/A	2203-000998	C-CER,CHIP;0.047nF,5%,50V,C0G,1608		SA
#N/A	2203-001222	C-CER,CHIP;0.82nF,10%,50V,X7R,1608		SA
#N/A	2802-001069	RESONATOR-CERAMIC;7.37MHz,0.5%,TP,4.7x4.		SNA
#N/A	JB13-00004A	IC ASIC-OPE;SF-3100,HT48C5,SSOP,48P,16.1		SA
#N/A	JC39-40511A	CBF HARNESS;ML-80,JUMPER,AWG22,52mm,SILV	D2176	SA
#N/A	JC41-00319A	PCB-CONNECTION;SCX-5530FN,FR-1,1,-,1.6T,		SNA
#N/A	JC41-00321A	PCB-LCD_OPE;ML-3051ND,FR-1,1,-,1.6T,80*1		SNA
#N/A	JC61-01608A	BRACKET-P_CLEANING;SCX-5530FN,SECC,1.2,1		SNA
#N/A	JC61-01698A	BLADE-CLEANING;SCX-5530FN,POLY-URETHANE,		SNA
#N/A	JC66-00012A	GEAR-OPC R;SF-5100,POM(M90-44),BLK,M0.6,	O1065	SA
#N/A	JC71-00002A	NPR-EARTH OPC APOLLO;SF-5100,C5210P-H,0.		SNA
#N/A	JC94-01132A	V0.0		SNA
#N/A	0407-000101	DIODE-ARRAY;DA204K,20V,100mA,C2-3,SOT-23		SA
#N/A	1103-001367	IC-EEPROM;AT88SC0204C,2KBIT,256X8BIT,SOP		SNA
#N/A	2007-000033	R-CHIP;0ohm,5%,1/4W,TP,3216		SA
#N/A	JC41-00314A	PCB-CRUM;SCX-5530FN,FR-1,1,-,1.6T,21.8*3		SNA