

# 7. Exploded Views and Parts List (ML-2510/XAX)

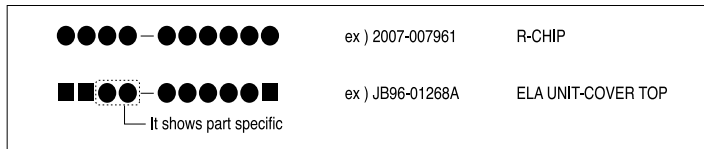
## Contents

- 7.1 Main Assembly
- 7.2 Frame Assembly
- 7.3 Fuser Unit
- 7.4 Paper Path Assembly
- 7.5 RX\_Drive

### Way to observe Part Code & Description

Part code and Description is quoted and controlled by determined standard. Refer to this determined standard, it will help with ordering Part.

- There are two kinds of Part code inscription type.



(● : figure, ■ : character (alphabet))

**Type 1** : Controlled by Company : It can be commonly used for all kinds of product SEC produce. Mostly, electronics Parts.

**Type 2** : Controlled by Division : It is used or one produce. Mostly, Mostly, mechanical Parts.

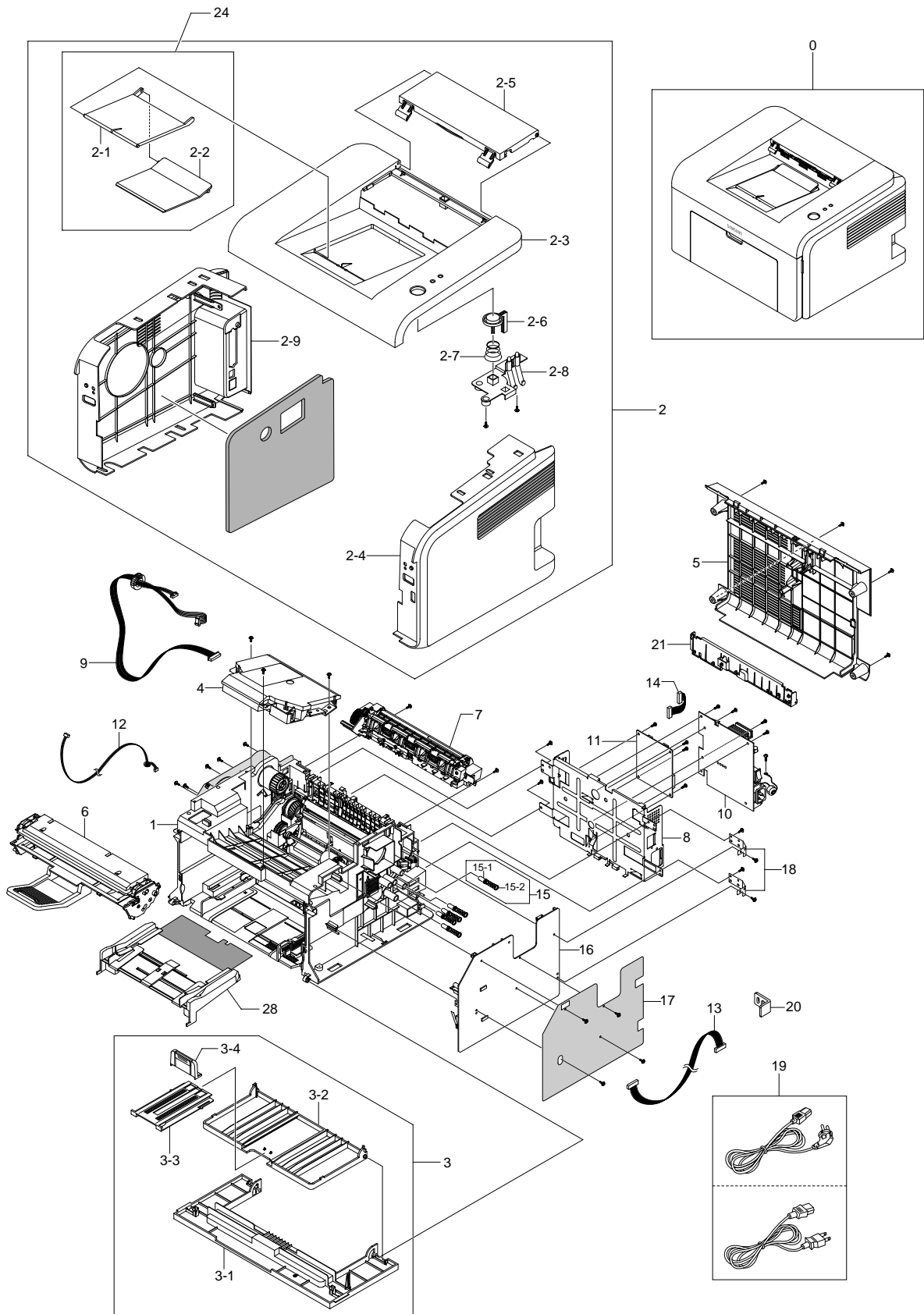
- **A/S privately used part** : It is only used for A/S .

- **Ass'y part** : Assembled by more than 2 Parts. If necessary part is not A/S Part, Ass'y part including necessary par can be used. It is shown in the diagram and drawing of SVC manual.

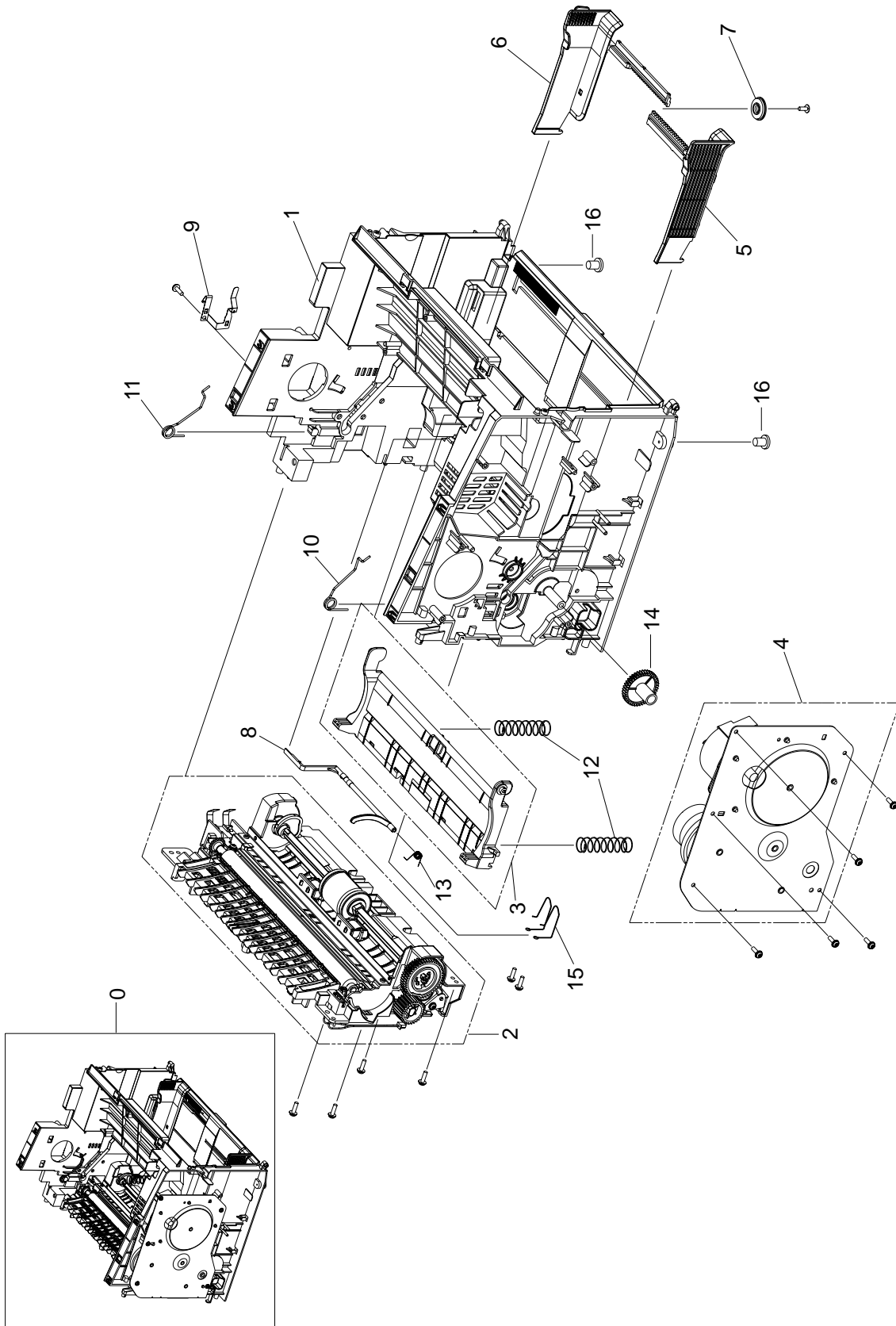
• Ass'y part and A/S privately used Part is distinguished by part Code and Description. The are inscription type 2. It is recognized by Part character and front side of description.

DIVISION	PART CODE	DESCRIPTION
A/S Private	**81-***** (JB81-00039A)	AS-***** (AS-USE)
ASSY Part	**75-***** (JB75-00068A)	MEC-***** (MEC-CHUTE)
ASSY Part	**92-***** (JB92-01131A)	PBA ***** (PBA MAIN-CONTROLLER)
ASSY Part	**97-***** (JB97-01089A)	MEA ***** (MEA UNIT-PULLEY IDLE)

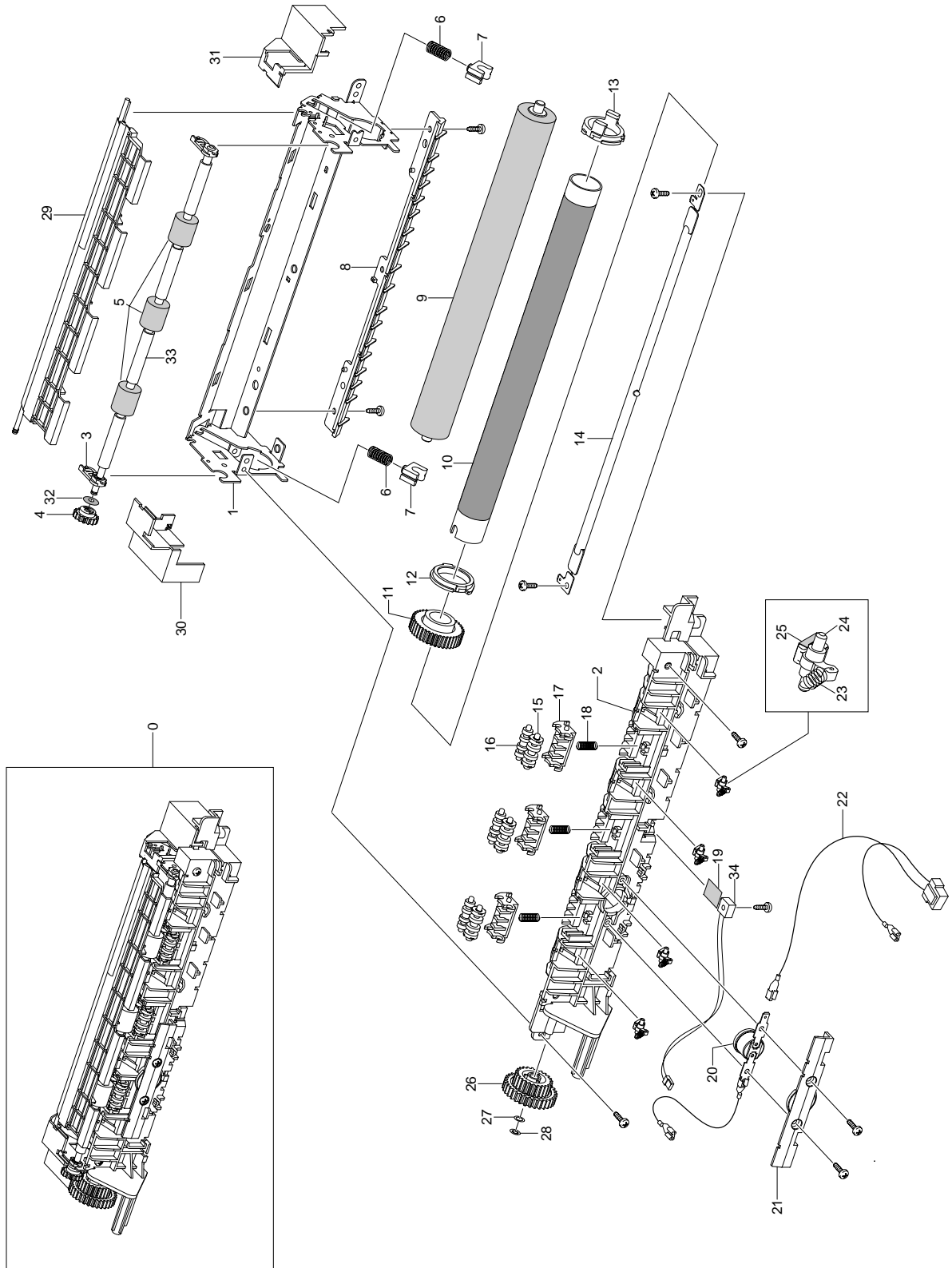
# 7.1 Main Assembly



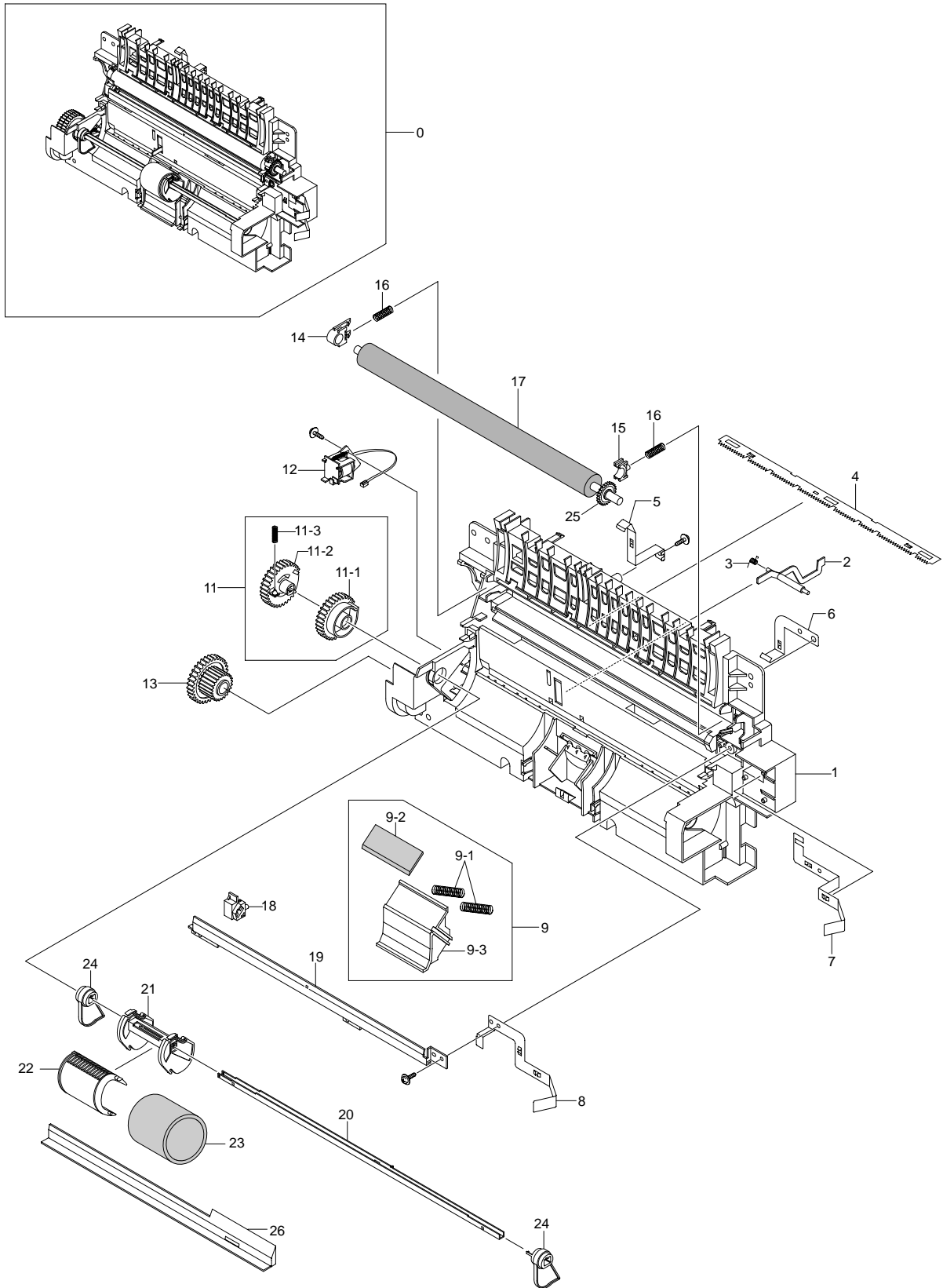
## 7.2 Frame Assembly



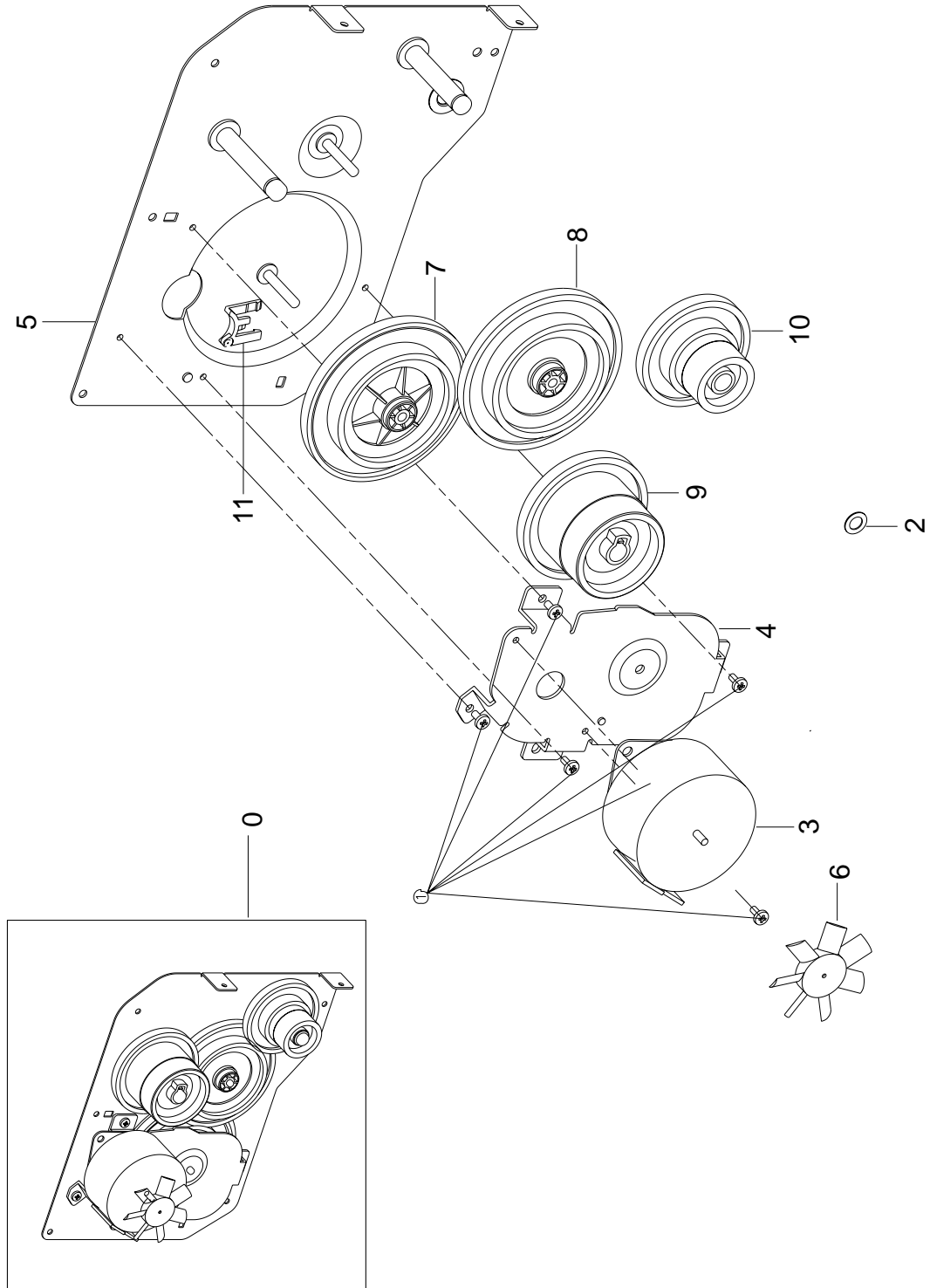
## 7.3 Fuser Unit



## 7.4 Paper Path Unit



## 7.5 RX\_Drive



## Service Parts List (Model code : ML-2510/XAX)

SA : SERVICE AVAILABLE SNA : SERVICE not AVAILABLE DNA : DELIVERY not AVAILABLE

Drawer#	SEC-Code	Description & Specification	Location	Service
7.1-1	JC96-04023A	ELA UNIT-FRAME_LOWER;ML-2571N,SAMSUNG,-,	O1113	SA
7.1-2	JC96-04160A	ELA HOU-COVER;ML-2510,SEC,-,-,-,-		SNA
7.1-2-1	JC61-01155C	GUIDE-STACKER;ML-2571N,HIPS,2,110.15,110	O1036	SA
7.1-2-2	JC61-01156C	GUIDE-SUB STACKER;ML-2571N,HIPS,2,86,106	O1037	SA
7.1-2-4	JC63-01105A	COVER-M_SIDE R;ML-2571N,HIPS,2,288,239,-	O1060	SA
7.1-2-5	JC63-01103A	COVER-M_JAM;ML-2571N,HIPS,2.5,83,222,HB,	O1059	SA
7.1-2-6	JC64-00266A	KEY-M_ONLINE;ML-2571N,ABS,18.2,HB,-,-,-		SNA
7.1-2-7	JC66-01242A	ACTUATOR-M_JAM;ML-2571N,PC,-,48.6,75.2,-	O1077	SA
7.1-2-8	JC67-00167A	LENS-M_LED;ML-2571N,PMMA,TRANSPARENT,L72		SNA
7.1-3	<a href="#">JC97-02654A</a>	MEA UNIT-COVER FRONT;ML-2571N,SAMSUNG,-,	O1118	SA
7.1-3-1	JC63-01104A	COVER-M_FRONT;ML-2571N,HIPS,2.5,154.65,3		SNA
7.1-3-2	JC63-00617B	TRAY-CASSETTE;ML-1610,HIPS,2,277,108,HB,		SNA
7.1-3-4	JC63-01112A	TRAY-M_EXTENSION S;ML-2571N,HIPS,2.5,38.		SNA
7.1-4	JC96-04065A	ELA UNIT-LSU;ML-2570,-,-,25PPM,600DPI,SI	O1116	SA
7.1-5	JC63-01107A	COVER-M_SMPS;ML-2571N,PC/ABS,2,324.6,230	O1062	SA
7.1-6	JC96-03352K	ELA UNIT-DEVE INITIAL;ML-2010,TEC,EXPORT		SNA
7.1-7	JC96-04061A	ELA HOU-FUSER;ML-2571N,SAMSUNG,-,LAMP,11	O1115	SA
7.1-8	JC63-01109A	SHIELD-P_ENGINE;ML-2571N,SECC,T0.8,145,3	O1063	SA
7.1-9	JC39-00614A	HARNESS-LSU;ML-2510,CBF,UL1061,14PIN,750	O1025	SA
7.1-10	JC44-00101A	SMPS-WHITNEY+ (V1);SCX-4521F,*,AC/DC,-,1	O1027	SA
7.1-11	JC92-01803A	PBA MAIN-CONTROLLER;ML-2510,SEC,KOREA,-,		SA
7.1-12	JC39-00405A	CBF HARNESS-MOTOR;ML-1610,CBF HARNESS,UL	O1022	SA
7.1-13	JC39-00400A	CBF HARNESS-HVPS;ML-1610,WIRE HARNESS,UL	O1018	SA
7.1-14	JC39-00613A	HARNESS-SMPS;ML-2510,CBF,UL1061,9PIN,75M	O1024	SA
7.1-15	JC96-01672A	ELA UNIT-TERMINAL TR L;ML-6060A,SEC,220V	O1111	SA
7.1-15-1	JC61-00031A	SPRING ETC--HV LARGE;ML-6060A,SUS 304 WP	O1029	SA
7.1-15-2	JC70-40912A	ICT-SHAFT HV LARGE;ML-5000A,SWCH18A,-,¥+	O1100	SA
7.1-16	JC44-00079A	HVPS-SKYLARK;- ,24V,21.6V~27.6V,-,MAX 5KV	O1026	SA
7.1-17	JC63-00722A	SHEET-HVPS;ML-1610,PP PP,T0.254,155,201,	O1058	SA
7.1-18	JC63-00631A	GROUND-P-HVPS;ML-1610,SUS304CSP 1/2H,0.2		SNA
7.1-19	3903-000085	CBF-POWER CORD;DT,US,BP3/YES,I(IEC C13/C	C0022	SA
7.1-20	JC61-01726A	PLATE-P_CHANNEL;ML-2571N,SECC,1.2,18.5,1	O1051	SA
7.2-1	JC61-01703A	FRAME-M_BASE;ML-2571N,PC/ABS,-,-,BLK,2,2		SNA
7.2-2	JC97-02664A	MEA UNIT-PAPER PATH;ML-2571N,SAMSUNG,-,-	O1120	SA
7.2-3	JC97-02670A	MEA UNIT-KNOCK UP;ML-2571N,SAMSUNG,-,-,-	O1123	SA
7.2-4	JC96-04033A	ELA UNIT-RX DRIVE;ML-2571N,SAMSUNG,-,ORI	O1114	SA
7.2-5	JC70-00527A	ADJUST-CASSETTE L;ML-2571N,ABS,2.5T,124.	O1097	SA
7.2-6	JC70-00528A	ADJUST-CASSETTE R;ML-2571N,ABS,2.5T,124.	O1098	SA
7.2-7	JG66-40003A	GEAR-PINION;SF4000,POM,WHT,M1,Z16	O1127	SA
7.2-8	JC66-01257A	ACTUATOR-EMPTY;ML-2571N,PC,-,38.2,98.3,-	O1089	SA
7.2-9	JC63-00622A	GROUND-P-OPC;ML-1610,SUS304CSP 1/2H,0.2,	O1056	SA
7.2-10	JC61-01258A	SPRING ETC-TORSION DEVE_L;ML-1610,SUS304	O1038	SA
7.2-11	JC61-01259A	SPRING ETC-TORSION DEVE_R;ML-1610,SUS304	O1039	SA
7.2-12	6107-001297	SPRING-CS;SWP,-,PI0.6,D12.6,L50,-,-,ID12		SA
7.2-12	6107-001169	SPRING-CS;SUS304-WPB,-,PI0.55,D9.3,14.25		SA
7.2-13	JB61-00076A	SPRING ETC-TORSION DOC (CC2-F);SCX-1110F	O1013	SA
7.2-14	JC66-00808A	GEAR-FEED DR 41;ML-1610,POM,0.8,41,-,WHI	O1072	SA
7.2-16	JC61-00836A	FOOT-FRONT;ML-1750,NBR,D7,-,11.5,-,-	O1033	SA
7.3-1	JC61-01720A	FRAME-P_FUSER;ML-2571N,SECC,-,-,-,1.2,23		SNA
7.3-2	JC63-01126A	COVER-FUSER;ML-2571N,PET+GF30%,2,29.32,3		SNA
7.3-3	JC61-01172A	HOLDER-M-EXIT F/DOWN;ML-1610,PC,T2.0,W18		SNA
7.3-4	JC66-00810A	GEAR-EXIT_DRV17;ML-1610,POM,0.8,17,-,BLK	O1073	SA
7.3-7	<a href="#">JC66-10901A</a>	BEARING-PRESSURE/R;ML-165,PPS(RBA313N),-	O1091	SA

SA : SERVICE AVAILABLE SNA : SERVICE not AVAILABLE DNA : DELIVERY not AVAILABLE

Drawer#	SEC-Code	Description & Specification	Location	Service
7.3-8	JC61-00595A	GUIDE-M-INPUT;ML-1710,PET+GF30%,,-,-,BL		SNA
7.3-9	JC66-00600A	ROLLER-PRESSURE;ML-1710,SUM24L+LSR+PFA,2	O1067	SA
7.3-10	JC66-01256A	ROLLER-HEAT;ML-2571N,AL 5052+ PFA COAT,2	O1088	SA
7.3-11	JC66-01254A	GEAR-FUSER;ML-2571N,PPS(OFL4036),0.8,45,	O1086	SA
7.3-12	JC61-00888A	BUSH-M-HR L_R2;SCX-4920N,PPS(RBA313N),25	O1035	SA
7.3-13	JC61-00887A	BUSH-M-HR R_R2;SCX-4920N,PPS(RBA313N),25	O1034	SA
7.3-14	4713-001211	LAMP-HALOGEN;115V,-,750W,-,-,-,8X284MM	O1012	SA
7.3-15	JC66-00824A	ROLLER-M-EXIT MAIN;ML-1610,POM+PTFE20,8.		SNA
7.3-16	JC66-00934A	ROLLER-M_EXIT FR;ML-1610,TEFLON-NTR,6.5,		SNA
7.3-18	6107-001163	SPRING-CS;SUS304-WPB,-,PI0.4,D3.9,L13,-,		SA
7.3-19	1404-001373	THERMISTOR-NTC ASSY;7KOHM,-,3370K,0.3MW/		SA
7.3-20	4712-001032	THERMOSTAT;125/250VAC,15/7.5A,150+-5C,0C	O1011	SA
7.3-21	JC39-00404A	CBF HARNESS-FUSER JOINT;ML-1610,WIRE HAR	O1021	SA
7.3-22	JC39-00403A	CBF HARNESS-FUSER(110V);ML-1610,WIRE HAR	O1020	SA
7.3-23	JC61-00064A	SPRING ETC-CLAW;ML-5200A,SUS 304 WPB,?.	O1032	SA
7.3-25	JC61-01721A	GUIDE-CLAW;ML-2571N,PEEK,2,14,23.35,GREE		SNA
7.3-26	JC66-00801A	GEAR-EXIT_DR38/25;ML-1610,POM,0.8,38/25,		SNA
7.3-27	6031-001051	WASHER-PLAIN;M4,ID4.1,OD7.0,T0.13,*,POLY		SNA
7.3-29	JC63-01128A	COVER-FUSER-DUMMY;ML-2571N,PET+GF30%,2,3		SNA
7.3-30	JC63-01130A	COVER-LAMP_L;ML-2571N,PET+GF30%,2,40,28,		SNA
7.3-31	JC63-01129A	COVER-LAMP_R;ML-2571N,PET+GF30%,2,27.55,		SNA
7.3-32	6107-001167	SPRING-CS;SUS304-WPB,-,PI0.25,D3.25,L9.6	Z4318	SA
7.3-33	JC66-01255A	ROLLER-EXIT F/DOWN;ML-2571N,SUM22+EPDM,1	O1087	SA
7.3-34	JC67-00085A	CAP-M-THERMO;ML-1610,PET+GF30%,1.2,11.92		SNA
7.4-1	JC61-01710A	GUIDE-PAPER PATH;ML-2571N,ABS HB,T2.5,15	O1042	SA
7.4-2	JC66-01250A	ACTUATOR-FEED SENSOR;ML-2571N,PC,-,22.2,	O1082	SA
7.4-3	JB61-00107A	SPRING ETC-LEVER SENSOR;SF-430,SUS304,0.	O1014	SA
7.4-4	JC70-10232A	IPR-PLATE SAW;ML-80,SUS304 CSP 1/2H,-,T0	O1099	SA
7.4-5	JC63-00625A	GROUND-P-VARISTOR;ML-1610,SUS304CSP1/2H,		SNA
7.4-7	JC63-00623A	GROUND-P-THV;ML-1610,SUS304CSP 1/2H,0.2,		SNA
7.4-8	JC63-01125A	GROUND-P_SAW;ML-2571N,C5210P,0.2,54.5,49		SNA
7.4-9	JC97-02669A	MEA UNIT-HOLDER_PAD;ML-2571N,SAMSUNG,-,-	O1122	SA
7.4-9-1	JC61-70911A	SPRING ETC-EXIT ROLL FD;ML-165,SUS304 WP	O1053	SA
7.4-9-2	JC69-00987A	PAD-FRICTION;ML-2571N,T1.0,W8.5,L29,-,-,	O1093	SA
7.4-9-3	JC61-01711A	HOLDER-PAD;ML-2571N,PC/ABS,2.5,48,20.8,B	O1043	SA
7.4-11	JC97-02665A	MEA UNIT-PICK UP GEAR;ML-2571N,SAMSUNG,-	O1121	SA
7.4-12	JC33-00015B	SOLENOID-MP_R2;-SCX-4720F,DC24V,-,-,-	O1017	SA
7.4-13	JC66-01247A	GEAR-FEED;ML-2571N,POM,0.8,28,-,WHITE,24	O1081	SA
7.4-15	JC72-00102A	PMO-BUSHING_TR(L);SF-5100,POM(CH-15),BL	O1101	SA
7.4-16	JC61-70940A	SPRING ETC-TR(12);ML-5500,-,4.5,-,12.7,1	O1054	SA
7.4-17	JC66-01218A	ROLLER-TRANSFER;SCX-4200,NBR+ECO,15,218m	O1076	SA
7.4-19	JC70-00307A	IPR-P-EARTH TRANSFER;ML-1710,SECC,-,1.0T	O1094	SA
7.4-20	JC66-00829A	SHAFT-P-PICK_UP;ML-1610,SECC,264,T1.2,-,	O1075	SA
7.4-21	JC61-01716A	HOUSING-PICK UP A;ML-2571N,PC+ABS,-,28,2	O1047	SA
7.4-22	JC61-01717A	HOUSING-PICK UP B;ML-2571N,PC+ABS,-,-,37	O1048	SA
7.4-23	JC73-00239A	RUBBER-PICK_UP;ML-2571N,EPDM+IR,OD29,ID2	O1108	SA
7.4-24	JC66-01258A	CAM-PICK_UP;ML-2571N,POM,22.8,21.5,NTR,-	O1090	SA
7.4-25	JC66-00813A	GEAR-TRANSFER;ML-1610,POM,0.6,24,-,BLK,1	O1074	SA
7.5-1	6003-000269	SCREW-TAPTITE;BH,+,-,S,M3,L6,ZPC(YEL),SW		SA
7.5-1	6003-000196	SCREW-TAPTITE;PWH,+B,M3,L10,NI PLT,SWRC	Z4397	SA
7.5-1	6003-000261	SCREW-TAPTITE;BH,+B,M3,L6,ZPC(YEL),SWRC		SNA
7.5-1	6003-000282	SCREW-TAPTITE;BH,+,-,B,M3,L8,ZPC(BLK),SW		SA
7.5-1	6003-000301	SCREW-TAPTITE;BH,+S,M4,L6,ZPC(YEL),SWRC		SNA
7.5-2	6031-000023	WASHER-PLAIN;-ID5.9,OD10.0,T0.5,BLK,POL		SNA
7.5-3	JC31-00068A	MOTOR STEP;M55SP-3NK,ML-2571N,1.3A,1037P	O1016	SA
7.5-4	JC61-01708A	BRACKET-P MOTOR;ML-2571N,SECC,T1.6,70.4,		SNA
7.5-5	JC61-01727A	BRACKET-P_GEAR;ML-2571N,SECC,T1.0,145.2,		SNA

SA : SERVICE AVAILABLE SNA : SERVICE not AVAILABLE DNA : DELIVERY not AVAILABLE

Drawer#	SEC-Code	Description & Specification	Location	Service
7.5-6	JC72-00825A	PMO-IMPELLER_DRV;ML-6200,NYLON66,BLK,-,-	O1103	SA
7.5-7	JC66-00804A	GEAR-RDCN 139/83;ML-1610,POM,0.5/0.6,139	O1069	SA
7.5-8	JC66-00805A	GEAR-RDCN 113/83;ML-1610,POM,0.6/0.6,113	O1070	SA
7.5-9	JC66-01244A	GEAR-FUSER DRIVER;ML-2571N,POM,0.6/0.8,8	O1078	SA
7.5-10	JC66-00806A	GEAR-OPC DR 76/38/29;ML-1610,POM,0.6/0.8	O1071	SA
7.5-11	JC60-00023A	SPACER-GEAR;ML-2571N,POM, M90-44,17,-,-,	O1028	SA
#N/A	JC63-01151A	SHEET-NETWORK;ML-2570,PC,0.254,18,15,-,-		SA
#N/A	JC68-01709A	MANUAL-INSTALL;ML-2570,SEC,16,WORLDWIDE1		SNA
#N/A	JC69-00978A	BOX-MAIN;ML-2510/XAA,OFFSET3,A-1,359,422		SA
#N/A	JC96-04014A	ELA HOU-ENGINE;ML-2571N,SEC,-,-,-,-,-		SNA
#N/A	JC97-02239C	MEA UNIT-MP TRAY;ML-2571N,SEC,-,-,-,-,-	O1117	SA
#N/A	JC97-02655C	MEA UNIT-COVER TOP;ML-2510,SAMSUNG,-,-,-		SA
#N/A	JC99-01986F	INA-ACCESSORY;ML-2510/XAX,SEC,MEXICO,ORI		SNA
#N/A	JC99-01987A	PAA-PACKING;ML-2510,XAA,-,PACKING,-,-		SNA
#N/A	JC99-01988C	PAA-LABEL;ML-2510/SEE,-,-,-,-,-		SNA
#N/A	0201-001183	ADHESIVE-AA;ARON ALPHA #202F,NTR,100,20G		SNA
#N/A	0202-001240	SOLDER-WIRE;HSE-01,-,D3,SN/0.5CU/0.03NI/		SNA
#N/A	0202-001492	SOLDER-WIRE FLUX;HSE-02 LFM48 SR-34 S,-,		SNA
#N/A	0203-000007	TAPE-FILAMENT;3M,T0.15,W18,L55M,TRP		SNA
#N/A	0203-001100	TAPE-OPP MASKING;OPP/W75/CLR,T0.05,W75,L		SNA
#N/A	0203-001189	TAPE-ACETATE;#810,T0.05,W12,L65000,TRP,-		SNA
#N/A	0204-000469	THINNER;#4662,-,0.795,-		SNA
#N/A	0204-002978	FLUX;KSP-70M,-,84%,FLUX,SPRAY		SNA
#N/A	0205-001003	GREASE-BEARING;NYOGEL788,DAMPING GREASE,		SNA
#N/A	0402-000129	DIODE-RECTIFIER;1N4003,200V,1A,DO-41,TP		SA
#N/A	0502-000245	TR-POWER;KSB1151-Y,PNP,1.3W,TO-126,-,16		SA
#N/A	2005-000168	R-WIRE WOUND,NON;0.22ohm,5%,2W,AA,BK,4x1		SA
#N/A	2401-000042	C-AL;100uF,20%,16V,GP,TP,6.3x7,5		SA
#N/A	2801-003886	CRYSTAL-UNIT;12MHz,50ppm,28-AAA,16pF,50o		SNA
#N/A	3601-001246	FUSE-CARTRIDGE;250V,63mA,FAST-ACTING,GLA		SA
#N/A	3702-000118	CONNECTOR-RIBBON;36P,FEMALE,ANGLE,AU		SNA
#N/A	3711-002001	HEADER-BOARD TO CABLE;BOX,20P,2R,2MM,STR		SA
#N/A	3711-002810	HEADER-BOARD TO CABLE;BOX,9P,1R,2mm,STRA		SNA
#N/A	3711-003035	HEADER-BOARD TO CABLE;BOX,14P,2R,2mm,STR		SA
#N/A	3711-003408	HEADER-BOARD TO CABLE;BOX,2P,1R,2mm,STRA		SNA
#N/A	3711-003409	HEADER-BOARD TO CABLE;BOX,3P,1R,2mm,STRA		SNA
#N/A	3711-003410	HEADER-BOARD TO CABLE;BOX,4P,1R,2mm,STRA		SNA
#N/A	3711-003942	HEADER-BOARD TO CABLE;BOX,2P,1R,2mm,STRA		SA
#N/A	3711-003968	HEADER-BOARD TO CABLE;BOX,3P,1R,2.5mm,ST		SA
#N/A	3711-003969	HEADER-BOARD TO CABLE;BOX,2P,1R,2.5mm,ST		SNA
#N/A	3722-002303	JACK-USB;4P/1C,AU30U,BLK,ANGLE,B TYPE		SA
#N/A	6001-000568	SCREW-MACHINE;PH,+ ,M3,L8,NI PLT,SWRCH18A		SA
#N/A	6002-000440	SCREW-TAPPING;PWH,+ ,-,2,M3,L8,ZPC(BLK),S		SA
#N/A	6044-000001	RING-CS;ID3,OD3,T0.25,BLACK,SUS304		SNA
#N/A	6103-000117	SUPPORTER;DACN-6N,L10,NTR,NYLON66		SNA
#N/A	6902-000288	BAG PE;T0.05,W250,L450,TRP,8,2,-		SNA
#N/A	6902-000437	BAG PE;T0.015,W900,L800,TRP,8,4,PE MARK		SNA
#N/A	6902-000455	BAG CONDUCTIVE;T0.1,W200,L450,BLK,-,-,-		SA
#N/A	JB68-00073A	LABEL(R)-BAR CODE;SF-3000,PY,38X6.5,T0.1		SNA
#N/A	JB68-00916A	LABEL RATING-BLANK;SF-340,SEC,TETRON,0.0		SNA
#N/A	JC02-00043A	TONER-GRINDED;ML-1610,TUFTONE YS-4,-,8.8		SNA
#N/A	JC31-00027A	FAN-DC HUMMINGBIRD;- ,ML-1710,-,-,-	O1015	SA
#N/A	JC39-00228A	CBF HARNESS-GND;SF-530/XEU,CBF,UL 1007 A		SNA
#N/A	JC39-00401A	CBF HARNESS-FUSE;ML-1610,WIRE HARNESS,UL	O1019	SA
#N/A	JC46-00291A	S/W APPLICATION-CD;- ,ML-2510,PRT DRV,1.0		SNA
#N/A	JC61-00056A	SPRING ETC-PR(7300);ML-7300,PIANO WIRE,1	O1031	SA
#N/A	JC61-01263C	PLATE-MP;ML-2571N,HIPS,2.5,278.2,123,V.W	O1040	SA

SA : SERVICE AVAILABLE SNA : SERVICE not AVAILABLE DNA : DELIVERY not AVAILABLE

Drawer#	SEC-Code	Description & Specification	Location	Service
#N/A	JC61-01719A	HOLDER-EXIT R;ML-2571N,PC,1.5,10,21,BLAC	O1050	SA
#N/A	JC61-01747A	HOLDER-SPRING;ML-2571N,PET+GF30%,1.5,11.	O1052	SA
#N/A	JC63-00711A	SHEET-MP;SCX-4521F,PET,T0.188,215.0,60.8	O1057	SA
#N/A	JC63-01108C	COVER-TOP;ML-2510,HIPS,2,248,245,HB,-,-,		SNA
#N/A	JC63-01119A	COVER-M_PAPER;ML-2571N,ABS,2.5,270,138,H	O1064	SA
#N/A	JC65-00011A	TERMINAL-DEVE KEY;SCX-4521F,STS304WPB,-,		SNA
#N/A	JC66-00823A	DRUM-OPC;ML-1610,AL A30 OR A60,-,24,248,		SNA
#N/A	JC67-00190A	CAP-SMPS;ML-2571N,PC/ABS,2,35.05,278.25,		SNA
#N/A	JC68-00320A	MANUAL-(CARD)SEM SVC CARD;COMMON,SEM,XEM		SNA
#N/A	JC68-00408A	LABEL(R)-LV FUSER;COMMON,PVC,-,110V,-,,,		SNA
#N/A	JC68-00573A	LABEL(R)-BARCODE;ML-4500,PET,T0.05,10mm,		SNA
#N/A	JC68-01493B	MANUAL-DEVE SHEET;SCX-4521F,SEE,EFGISPRS		SNA
#N/A	JC68-01581A	LABEL(P)-CAUTION HOT;COMMON,SAMSUNG,PET,		SNA
#N/A	JC68-01584A	LABEL(P)-BLANK 90*25;CLP-510,SEE,ART 100	D2120	SA
#N/A	JC68-10914D	LABEL(P)-SERIAL NO;ML-85,ART,70X15,G100,		SNA
#N/A	JC68-10932A	LABEL(P)-BLANK(ML);ML-85,ART,70X60,G100,		SNA
#N/A	JC69-00825A	BOX(P)-POWER PAD;COMMON,SHEET,TOMSON,-,1		SNA
#N/A	JC69-00975A	CUSHION-MAIN_R;ML-2510,-,345,448,115,145		SNA
#N/A	JC69-00975B	CUSHION-MAIN_L;ML-2510,-,345,448,115,146		SNA
#N/A	JC70-00064A	IPR-PIN ROLLER EXIT;SF-5100,SUS304,PI1.8		SNA
#N/A	JC70-00514C	ADJUST-MP L;ML-2571N,HIPS,2.5,127.8,90,B	O1095	SA
#N/A	JC70-00515C	ADJUST-MP R;ML-2571N,HIPS,2.5,127.8,90,B	O1096	SA
#N/A	JC72-01381A	SPONGE-COVER TOP;ML-2571N,POLYURETHANE F		SNA
#N/A	JC72-01383A	SPONGE-COVER TOP S;ML-2571N,POLYURETHANE		SNA
#N/A	JC72-20902A	PEX-ROLLER F/UP(2);ML-5000A,TEFLON,WHT,-	O1106	SA
#N/A	JC94-01216A	PHANTOM AU JC92-01803A		SNA
#N/A	JC96-01730A	ELA UNIT-HOLDER TR L;ML-6060A,SAMSUNG,SE	O1112	SA
#N/A	JC96-03355H	ELA UNIT-DEV KIT 3K;ML-2010,SEC,EXPORT,3		SNA
#N/A	JC97-02686A	MEA UNIT-COVER REAR;ML-2571N,SAMSUNG,-,-	O1124	SA
#N/A	JC97-02731A	MEA UNIT-COVER JAM;ML-2571N,SEC,-,-,-,-,	O1125	SA
#N/A	JC97-02732B	MEA UNIT-COVER SIDE L;ML-2510,SEC,-,-,NO N		SA
#N/A	0201-001235	ADHESIVE-TS;DEH-390D,RED,400,-		SNA
#N/A	0202-001459	SOLDER-CREAM;S3X58-M405,-,D20~38\$,96.5SS		SNA
#N/A	0205-001059	GREASE-BEARING;PETAMO GHV 133,BEIGE,15KG		SNA
#N/A	0205-001067	GREASE-GRAPHITE;NYOGEL 756G,HYDRO CARBON		SNA
#N/A	0205-001088	GREASE-BEARING;NICHIMOLY DM-1770X,PTFE,-		SNA
#N/A	0401-000116	DIODE-SWITCHING;MMSD914T1,100V,200MA,SOD		SNA
#N/A	0407-000122	DIODE-ARRAY;KDS226,80V,300mA,C2-3,SOT-23		SA
#N/A	0501-000279	TR-SMALL SIGNAL;KSA1182-Y,PNP,150mW,SOT-		SA
#N/A	0501-000457	TR-SMALL SIGNAL;MMBT2222A,NPN,350mW,SOT-		SA
#N/A	0801-002446	IC-CMOS LOGIC;74LCX14,SCHMITT INVERTER,T		SNA
#N/A	1003-001535	IC-MOTOR DRIVER;A3977SLP,TSSOP,28P,9.6X4		SA
#N/A	1006-001224	IC-LINE TRANSCEIVER;74LVX161284,TSSOP,48		SA
#N/A	1006-001250	IC-LINE DRIVER;DS90LV017A,SOIC,8P,150MIL		SA
#N/A	1103-001228	IC-EEPROM;93C66,4KBIT,256X16BIT,SOP,8P,5		DNA
#N/A	1105-001464	IC-DRAM;K4S641632,4MX16BIT,TSOP(II),54P,		SA
#N/A	1202-000164	IC-VOLTAGE COMP.;393,SOP,8P,150MIL,DUAL,		SA
#N/A	1203-001455	IC-POSI.FIXED REG.;1117,DPAK,3P,265MIL,P		SA
#N/A	1203-002220	IC-POSI.ADJUST REG.;LD1117,DPAK,3P,240MI		SA
#N/A	1203-002233	IC-RESET;XC61F,SOT-23,3P,-,PLASTIC,0.7/1		SNA
#N/A	1205-002339	IC-CLOCK GENERATOR;CY25811SC,SOIC,8P,150		SA
#N/A	2007-000070	R-CHIP;0ohm,5%,1/10W,TP,1608		SA
#N/A	2007-000074	R-CHIP;100ohm,5%,1/10W,TP,1608		SA
#N/A	2007-000076	R-CHIP;330ohm,5%,1/10W,TP,1608		SA
#N/A	2007-000078	R-CHIP;1Kohm,5%,1/10W,TP,1608		SA
#N/A	2007-000083	R-CHIP;3Kohm,5%,1/10W,TP,1608		SA
#N/A	2007-000090	R-CHIP;10Kohm,5%,1/10W,TP,1608		SA

SA : SERVICE AVAILABLE SNA : SERVICE not AVAILABLE DNA : DELIVERY not AVAILABLE

Drawer#	SEC-Code	Description & Specification	Location	Service
#N/A	2007-000091	R-CHIP;12Kohm,5%,1/10W,TP,1608		SA
#N/A	2007-000094	R-CHIP;22Kohm,5%,1/10W,TP,1608		SA
#N/A	2007-000096	R-CHIP;30Kohm,5%,1/10W,TP,1608		SA
#N/A	2007-000107	R-CHIP;470Kohm,5%,1/10W,TP,1608		SA
#N/A	2007-000113	R-CHIP;33ohm,5%,1/10W,TP,1608		SA
#N/A	2007-000116	R-CHIP;120ohm,5%,1/10W,TP,1608		SA
#N/A	2007-000123	R-CHIP;1.5Kohm,5%,1/10W,TP,1608		SA
#N/A	2007-000134	R-CHIP;33Kohm,5%,1/10W,TP,1608		SA
#N/A	2007-000402	R-CHIP;150ohm,5%,1/10W,TP,1608		SA
#N/A	2007-000965	R-CHIP;5.1Kohm,5%,1/10W,TP,1608		SA
#N/A	2007-001002	R-CHIP;510ohm,5%,1/10W,TP,1608		SA
#N/A	2007-001044	R-CHIP;56ohm,5%,1/10W,TP,1608		SNA
#N/A	2007-001139	R-CHIP;7.5Kohm,1%,1/10W,TP,1608		SA
#N/A	2007-007521	R-CHIP;14.7Kohm,1%,1/10W,TP,1608		SA
#N/A	2007-008567	R-CHIP;15.4Kohm,1%,1/10W,TP,1608		SNA
#N/A	2011-001011	R-NET;10Kohm,5%,1/16W,L,CHIP,8P,TP,3.2x1		SNA
#N/A	2011-001094	R-NET;39OHM,5%,1/16W,L,CHIP,8P,TP		SA
#N/A	2011-001334	RC-NETWORK;1K/5.1K/39ohm,10%,150pF,-,6V,		SNA
#N/A	2203-000189	C-CER,CHIP;100nF,+80-20%,25V,Y5V,1608		SA
#N/A	2203-000236	C-CER,CHIP;0.1nF,5%,50V,C0G,1608		SA
#N/A	2203-000257	C-CER,CHIP;10nF,10%,50V,X7R,1608		SA
#N/A	2203-000384	C-CER,CHIP;0.015nF,5%,50V,C0G,1608		SA
#N/A	2203-000440	C-CER,CHIP;1nF,10%,50V,X7R,1608		SA
#N/A	2203-000626	C-CER,CHIP;0.022nF,5%,50V,C0G,1608		SA
#N/A	2203-000783	C-CER,CHIP;0.33nF,5%,50V,C0G,1608		SA
#N/A	2203-000815	C-CER,CHIP;0.033nF,5%,50V,C0G,1608		SA
#N/A	2203-001408	C-CER,CHIP;0.27nF,5%,50V,NP0,1608		SNA
#N/A	2203-001607	C-CER,CHIP;0.22nF,5%,50V,NP0,1608		SA
#N/A	2203-001683	C-CER,CHIP;0.068nF,5%,50V,NP0,1608		SA
#N/A	2203-002392	C-CER,CHIP;220nF,+80-20%,50V,Y5V,2012		SA
#N/A	2203-002398	C-CER,CHIP;22nF,10%,50V,X7R,1608		SA
#N/A	2203-005249	C-CER,CHIP;100nF,10%,50V,X7R,1608		SNA
#N/A	2203-005819	C-CER,CHIP;1000nF,+80-20%,16V,Y5V,-,1608		SNA
#N/A	2402-001106	C-AL,SMD;33UF,20%,50V,WT,TP,8.3X8.3X6.3M		SA
#N/A	2901-001178	FILTER-EMI SMD;25V,2A,-,100000pF,2x1.25x		SA
#N/A	3103-001085	FAN-DC;24V,80mA,4800rpm,-,0.131mmH20		SA
#N/A	3301-000317	BEAD-SMD;120ohm,2012,TP,-,-		SA
#N/A	3301-000325	BEAD-SMD;60ohm,3.2x2.5x1.3mm,400mA,TP,,,		SNA
#N/A	6044-000159	RING-C;ID3,OD7,T0.6,PASS,STSC	Z4357	SA
#N/A	6107-001296	SPRING-ES;SUS304-WPB,-,PI0.4,D2.8,L17.2,		SA
#N/A	JC01-00010A	GLASS-LSU;135*10,1.9		SNA
#N/A	JC13-00027A	IC ASIC-JUPITER4E;S4FD004X,ML-1520,160P,		SA
#N/A	JC31-00069A	MOTOR DC;ML-2570,0.85A,3354.3Hz,Max20.4W		SNA
#N/A	JC39-00482A	CBF HARNESS-MICRO SW;ML-2010,WIRE HARNES	O1023	SA
#N/A	JC41-00350A	PCB-MAIN;ML-2510,FR-4,2L,V0.3,1.6T,94.25		SNA
#N/A	JC61-00025A	SPRING ETC-CS-CHARGE APOLLO;SF-5100,SUS		SNA
#N/A	JC61-00047A	SPRING ETC-TR L HAWK;ML-6060A,SWP-B,-,-,	O1030	SA
#N/A	JC61-00049A	SPRING ETC-TR(KOR);ML-4500,SUS304-WPB,0.		SNA
#N/A	JC61-00060A	SPRING ETC-TS BLADE;ML-6060,SUS304 WPB,0		SNA
#N/A	JC61-01150A	FRAME-M_LSU;ML-1610,PC+GF 20%,-,-,BLK,-,		SNA
#N/A	JC61-01281A	BRACKET-P-BAR_PICK_UP;ML-1610,SECC,T1.0,		SNA
#N/A	JC61-01709A	PLATE-KNOCK_UP;ML-2571N,PC/ABS,T2.5,W82.	O1041	SA
#N/A	JC61-01713A	STOPPER-PICK_UP R;ML-2571N,POM,-,D17,L20	O1044	SA
#N/A	JC61-01714A	STOPPER-PICK_UP L;ML-2571N,POM,-,D17,L20	O1045	SA
#N/A	JC61-01715A	PLATE-P_IDLE HOLDER;ML-2571N,SECC,T1,-,2	O1046	SA
#N/A	JC61-01718A	HOLDER-IDLE ROLLER;ML-2571N,POM,-,26,12.	O1049	SA
#N/A	JC62-00145A	SEAL-SUPPLY;ML-1610,CHLOROPRENE RUBBER		SNA

SA : SERVICE AVAILABLE SNA : SERVICE not AVAILABLE DNA : DELIVERY not AVAILABLE

Drawer#	SEC-Code	Description & Specification	Location	Service
#N/A	JC62-00149A	SEAL-CAP DEVE;ML-1610,POLYURETHANE FOAM,		SNA
#N/A	JC62-00150A	SEAL-SUS BLADE;ML-1610,POLYURETHANE FOAM		SNA
#N/A	JC62-00151A	SEAL-DEVE L;ML-1610,PTFE FELT+MICRO URET		SNA
#N/A	JC62-00165A	SEAL-FILM REAR;ML-1610,PET,-,T0.075,9,22		SNA
#N/A	JC62-00310A	SEAL-LSU;ML-2570,EPDM,2,168.3,115		SNA
#N/A	JC63-00614A	COVER-M_LSU;ML-1610,ABS,T1.5,W171.3,L116		SNA
#N/A	JC63-00628D	TRAY-EXTENSION_L;ML-2571N,HIPS,2.5,80,11		SNA
#N/A	JC63-01106B	COVER-SIDE L;ML-2570,HIPS,2,288,239,-,SE		SA
#N/A	JC66-00529A	ROLLER-M-IDLE FEED;ML-1510,POM(DELRIN890	O1066	SA
#N/A	JC66-00720A	SHAFT-P-CORE;ML-1750,SECC 1.2T,203,-,-,-	O1068	SA
#N/A	JC66-00817A	GEAR-AGITATOR;ML-1610,POM,0.6,24,-,NTR,2		SNA
#N/A	JC66-00818A	GEAR-RDCN;ML-1610,POM,0.8/0.6,-,-,NTR,-,		SNA
#N/A	JC66-00819A	GEAR-SUPPLY;ML-1610,POM,0.6/0.6,20/19,-,		SNA
#N/A	JC66-00820A	GEAR-DEVE;ML-1610,POLYKETONE,0.8,14,-,NT		SNA
#N/A	JC66-00825A	ROLLER-SUPPLY;ML-1610,SILICON FOAM,D11.5		SNA
#N/A	JC66-00827A	SHAFT-RDCN;ML-1610,SUS303,L24,D3,NTR,-,-		SNA
#N/A	JC66-00828A	ROLLER-CHARGE;ML-1610,NBR+ECO,D12,L230,N		SNA
#N/A	JC66-00851A	ROLLER-DEVE;ML-1610,CONDUCTIVE NBR,D14.0		SNA
#N/A	JC66-01251A	ROLLER-FEED;ML-2571N,SUM22+NI+EPDM,5/17.	O1083	SA
#N/A	JC66-01252A	SHAFT-FEED;ML-2571N,POM,53.8,8,NTR,-,-	O1084	SA
#N/A	JC66-01253A	ROLLER-PICK UP IDLE;ML-2571N,POM,31.2,-,	O1085	SA
#N/A	JC67-00019A	LENS-FTHETA_S;ML-1210,Topas,TRANSPARENCY		SNA
#N/A	JC67-00020A	LENS-CY_S;ML-1210,ZEONEX,TRANSPARENCY,10		SNA
#N/A	JC67-00080A	CAP-M-SPACER_R;ML-1610,ABS,-,12,22.5,BLK		SNA
#N/A	JC67-00170A	MIRROR-LSU_BD;ML-1610,Float glass,13*13,		SNA
#N/A	JC68-01722A	LABEL-BLANK;SCX-4100,ART PAPER,0.15,16,4		SNA
#N/A	JC68-10909C	LABEL(P)-CAU LSU;ML-1210,ART90G,-,55,80,		SNA
#N/A	JC70-00112A	IPR-SPRING BD;ML-5200A,STSC301-CSP,-,0.3		SNA
#N/A	JC70-00153A	IPR-ELECTRODE CHARGE;ML-4500,SUS301,-,8.		SNA
#N/A	JC72-00083A	PMO-HOLDER CR;SF-5100,POM,BLK,-,-,-,-,-,		SNA
#N/A	JC72-00382B	PMO-BUSHING FEED;ML-1710,POM(DERLIN 8903	O1102	SA
#N/A	JC72-01001A	PMO-SUB STACKER;ML-1400,PC,-,32*4.8*25.5	O1104	SA
#N/A	JC72-01349A	PPR-SPACER SR_L;ML-1610,PET OR PC,NTR,T0		SNA
#N/A	JC72-01380A	SPONGE-COVER L;ML-2571N,POLYURETHANE FOA		SNA
#N/A	JC72-40232A	PMO-CAP AGITATOR;ML-80,PP,BLK,-,-	O1107	SA
#N/A	JC72-40332A	PMO-BUSHING CHARGE;ML-80,POM,BLK,HB,-		SNA
#N/A	JC72-41142A	PMO-BUSHING TR;ML-5000A,POM(CF-610,CH-15		SNA
#N/A	JC72-41145D	PMO-TRANSFER HOLDER L;ML-6060A,ABS,GRAY,		SNA
#N/A	JC74-00011A	MPR-PAD KNOCK UP MP;ML-6060A,CR+CORK,10*	O1109	SA
#N/A	JC96-04085A	ELA UNIT-LSU LD;ML-2570,-,-,SINGLE,8PIN,		SNA
#N/A	JC97-02153A	MEA UNIT-OPC;ML-1610,SEC,-,DRUM24,EARTH,		SNA
#N/A	JC97-02154A	MEA UNIT-PLATE_L;ML-1610,SEC,-,ASSY-PLAT		SNA
#N/A	JC97-02155A	MEA UNIT-PLATE_R;ML-1610,SEC,-,ASSY-PLAT		SNA
#N/A	JC97-02182A	MEA ETC-SUS BLADE;ML-1610,SEC,SEC,SUS BL		SNA
#N/A	JC97-02183C	MEA UNIT-FRAME REP;SCX-4521F,SEC,-,-,REP		SNA
#N/A	JC97-02252B	MEA UNIT-WTB;ML-1610,SEE,EXPORT,ASSY-WTB		SNA
#N/A	JF68-10532B	LABEL(P)-BAR CODE;CLP-500,-,YUPO PAPER,1		SNA
#N/A	0201-001162	ADHESIVE-CYA;LOCTITE403,NTR,1250,20G		SNA
#N/A	JC61-01163A	FRAME-M-DEVE LOWER;ML-1610,ABS,-,HB,BLK,		SNA
#N/A	JC61-01164B	FRAME-M_WTB;ML-1610,ABS+GF20,-,HB,BLK,T1		SNA
#N/A	JC61-01166A	BRACKET-P-SUS BLADE;ML-1610,SPCC+NI,1.2T		SNA
#N/A	JC61-01167A	PLATE-M-DEVE_L;ML-1610,PC,2,62.4,88,BLK,		SNA
#N/A	JC61-01168A	PLATE-M-DEVE_R;ML-1610,ABS,2,62.4,87.7,B		SNA
#N/A	JC61-01442A	PLATE-LSU_SLIT_B;SCX-6345N/XRX,STSC 301,		SNA
#N/A	JC61-01464A	BLADE-P_SUS;ML-2010,SUS301-CSP 1/2H T0.0		SNA
#N/A	JC62-00146A	SEAL-SUPPORT L;ML-1610,MICRO URETHANE,-,		SNA
#N/A	JC62-00147A	SEAL-SUPPORT R;ML-1610,MICRO POLYURETHAN		SNA

SA : SERVICE AVAILABLE SNA : SERVICE not AVAILABLE DNA : DELIVERY not AVAILABLE

Drawer#	SEC-Code	Description & Specification	Location	Service
#N/A	JC62-00148A	SEAL-CAP SIDE;ML-1610,POLYURETHANE FOAM,		SNA
#N/A	JC62-00153A	SEAL-BRKT CLEANING;ML-1610,POLYURETHANE		SNA
#N/A	JC62-00154A	SEAL-OPC CLEAN L;ML-1610,PTFE FELT+URETH		SNA
#N/A	JC62-00155A	SEAL-OPC CLEAN R;ML-1610,PTFE FELT+URETH		SNA
#N/A	JC62-00156A	SEAL-BOSS R;ML-1610,CR,BLACK,T5,-,D7.5,-		SNA
#N/A	JC63-00290A	SHEET-HOLDER PAD;ML-1750,PC,0.125T,50,18	O1055	SA
#N/A	JC64-00185A	HANDLE-M-DEVE;ML-1610,HIPS,T1.5,110,125.		SNA
#N/A	JC66-00821A	GEAR-OPC L;ML-1610,PC+PTFE,0.8,30,-,BLK,		SNA
#N/A	JC66-01245A	GEAR-PICK UP A;ML-2571N,POM,0.8,47,-,WHI	O1079	SA
#N/A	JC66-01246A	GEAR-PICK UP B;ML-2571N,POM,0.8,47,-,WHI	O1080	SA
#N/A	JC67-00022A	LENS-COLLIMATOR;ML-1210,GLASS,TRANSPAREN		SNA
#N/A	JC67-00082A	CAP-M-HOUSING DEVE;ML-1610,ABS,T1.5,62.5		SNA
#N/A	JC67-00083A	CAP-M-WTB;ML-1610,ABS,T1.5,29,250.3,BLK,		SNA
#N/A	JC70-00483A	ELECTRODE-P_SR(M);SCX-4100,SUS301-CSP T0		SNA
#N/A	JC70-00501A	ELECTRODE-P-DEVE KEY;ML-1610,SUS304CSP1/		SNA
#N/A	JC71-00009A	NPM-BUSHING DEV R;ML-6060,BRONZE,D7*12,-		SNA
#N/A	JC72-00444A	PMO-HOLDER COLLIMATOR;ML-5200A,PC GF20%,		DNA
#N/A	JC72-01179A	PMO-FLANGE LD;MLC-500,PC+GF20%,BLACK,-,-		SNA
#N/A	JC72-01297A	PMO-APERTURE;ML-1710,PC,NATURAL,6.5 * 3.		SNA
#N/A	JC72-01350A	PPR-FILM OPC;ML-1610,URETHANE SHEET,NTR,		SNA
#N/A	JC72-41105A	PMO-BUSHING DEV;ML-5000,POM,NTR,-,-,-,-,		SNA
#N/A	JC73-10017A	RPR-SEAL_BLOCK;ML-80,POLYURETHANE FOAM,T		SNA
#N/A	JC75-00043A	MEC-GEAR OPC R;SF-5100,SEC,-,-,BLK,-,-,-		SNA
#N/A	JC75-00044A	MEC-BUSHING AGI L;SF-5100,SEC,POM+SANTOP		SNA
#N/A	JC92-01830A	PBA MAIN-LSU LD;ML-2570,-,-,FR-4,8PIN,90		SNA
#N/A	JC97-01900B	MEA UNIT-AGITATOR_B;ML-1610,SEC,SKYLARK,		SNA
#N/A	JC97-02181A	MEA ETC-BLADE CLEANING;ML-1610,SEC,SEC,B		SNA
#N/A	JC61-01165A	BRACKET-P-CLEANING;ML-1610,SECC,1.2T,-,2		SNA
#N/A	JC66-00012A	GEAR-OPC R;SF-5100,POM(M90-44),BLK,M0.6,	O1065	SA
#N/A	JC71-00002A	NPR-EARTH OPC APOLLO;SF-5100,C5210P-H,0.		SNA
#N/A	JC72-00081A	PMO-BUSHING AGI L;SF-5100,POM,BLK,-,-,-,-,		SNA
#N/A	JC72-01317A	PPR-FILM AGITATOR SUB;ML-2550,PET SHEET		SNA
#N/A	JC72-01329A	PMO-AGITATOR_DOUBLE;ML-6060,ABS+GF20%,BL		SNA
#N/A	JC72-10924A	PPR-FILM AGITATOR;ML-5000,PET T0.1,NTR,-	O1105	SA
#N/A	JC72-10925A	PPR-FILM SUPPORT AGI;ML-5000,PET T0.3,NT		SNA
#N/A	JC73-00201A	REX-BLADE CLEANING;ML-1610,POLYURETHANE		SNA
#N/A	JC73-40906A	RMO-SEAL AGITATOR;ML-5000,SANTOPRENE,-,-		SNA