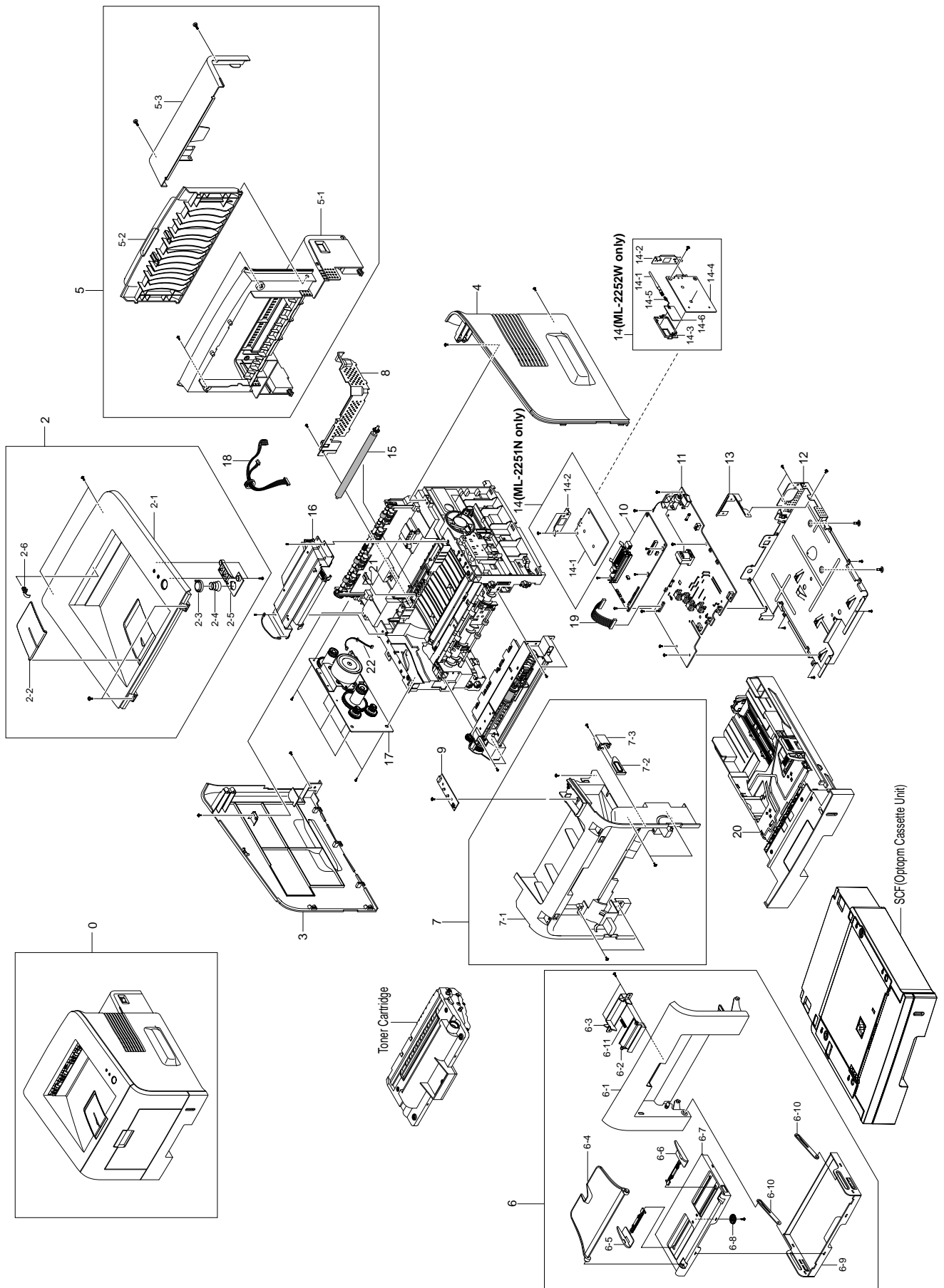


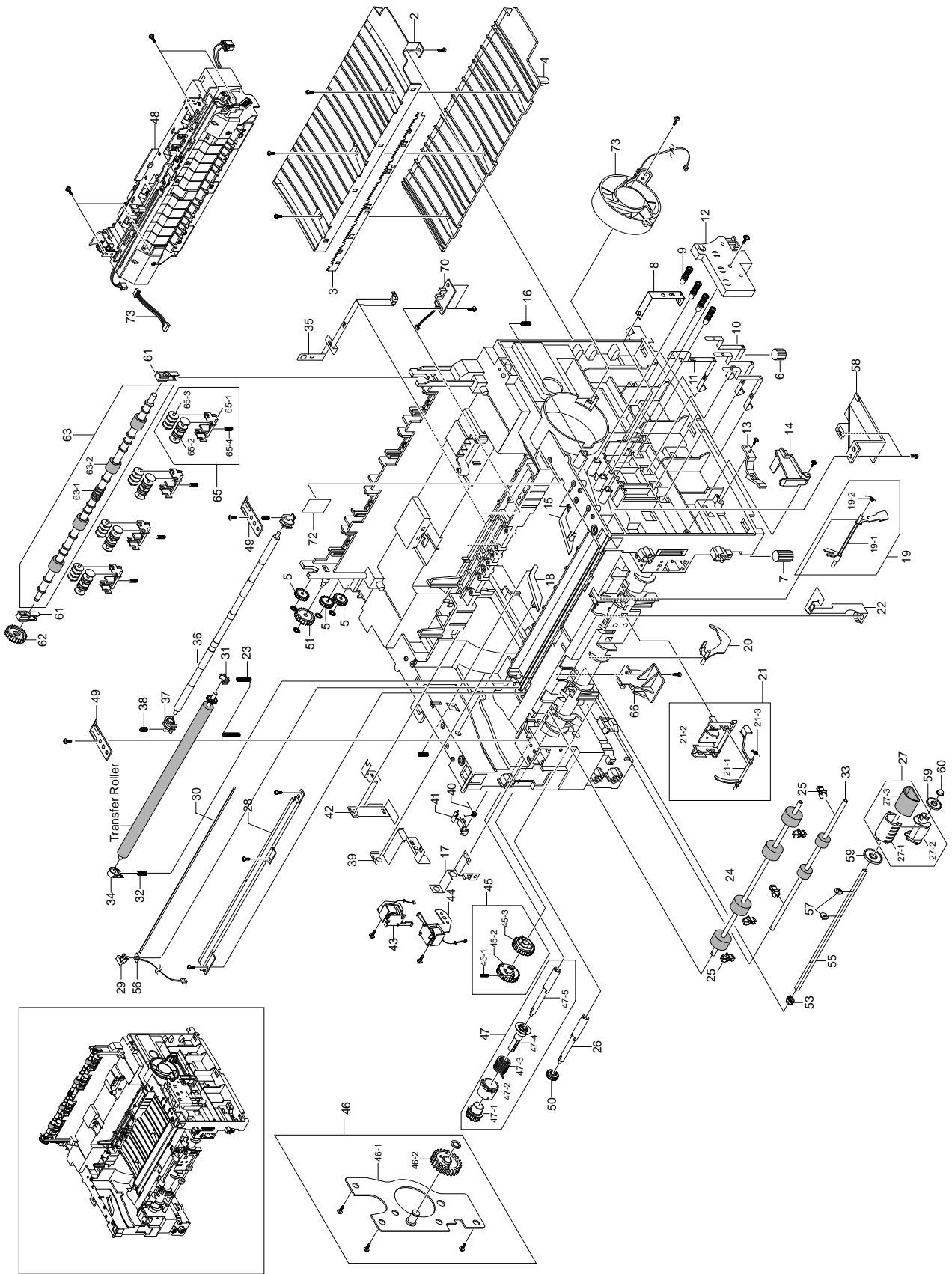
## **8. Exploded Views and Parts List (ML-2250/XAA)**

- 8-1. Main Assembly**
- 8-2. Frame Assembly**
- 8-3. MP Assembly**
- 8-4. Fuser Unit Assembly**
- 8-5. RX Driver Unit Assembly**
- 8-6. Cassette Unit Assembly**

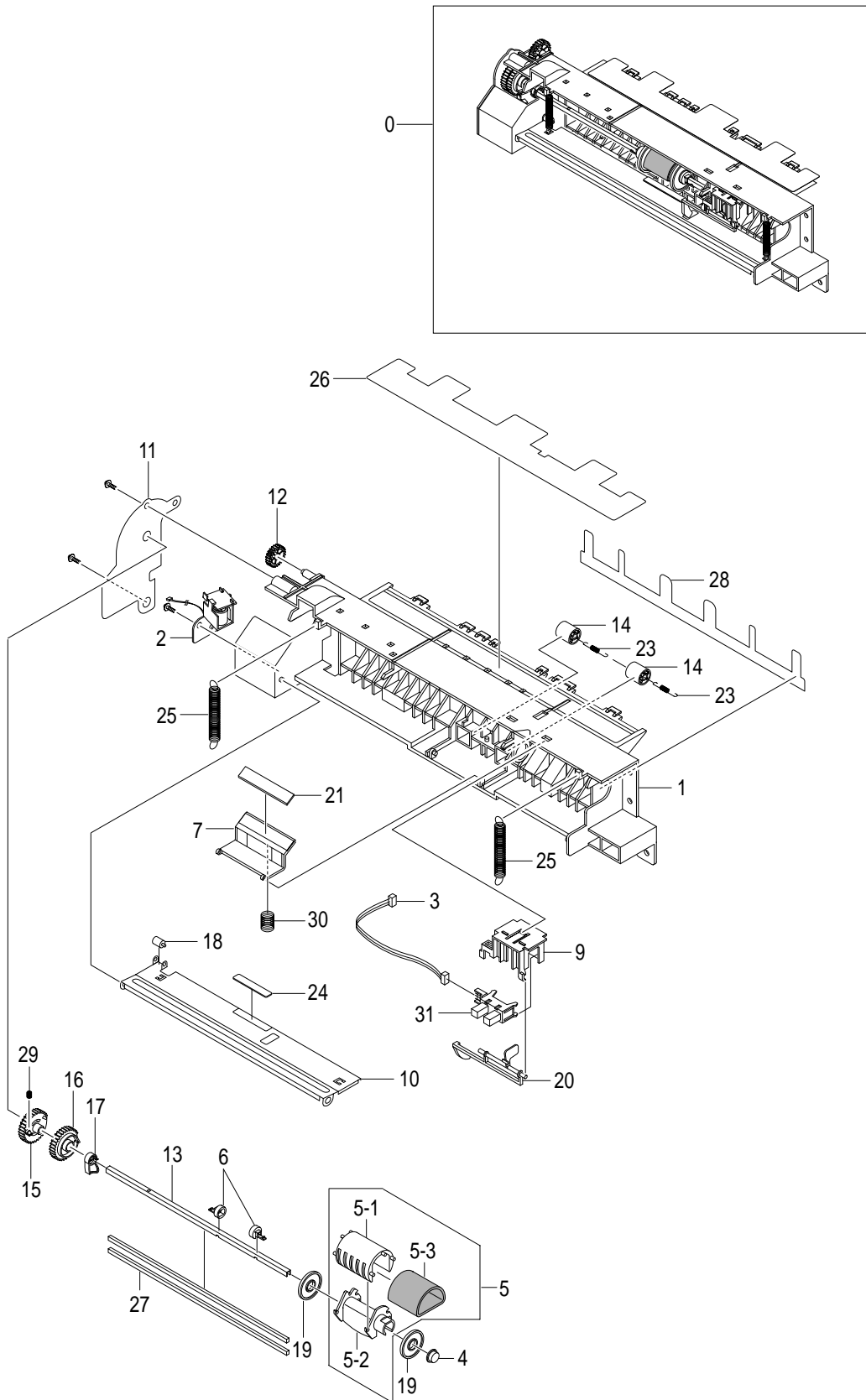
# 8.1 Main Assembly



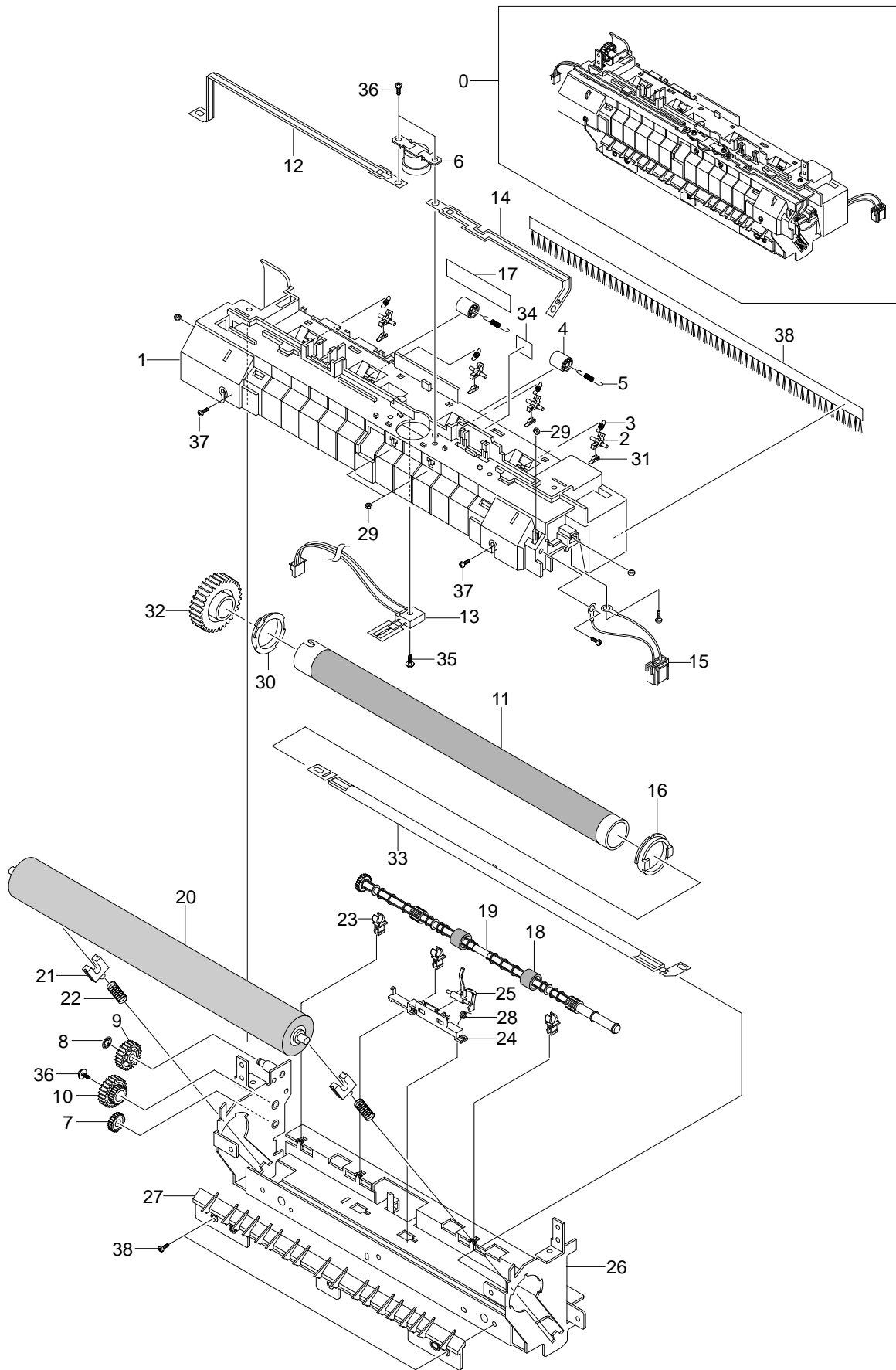
# 8.2 Frame Unit Assembly



## 8.3 MP Assembly

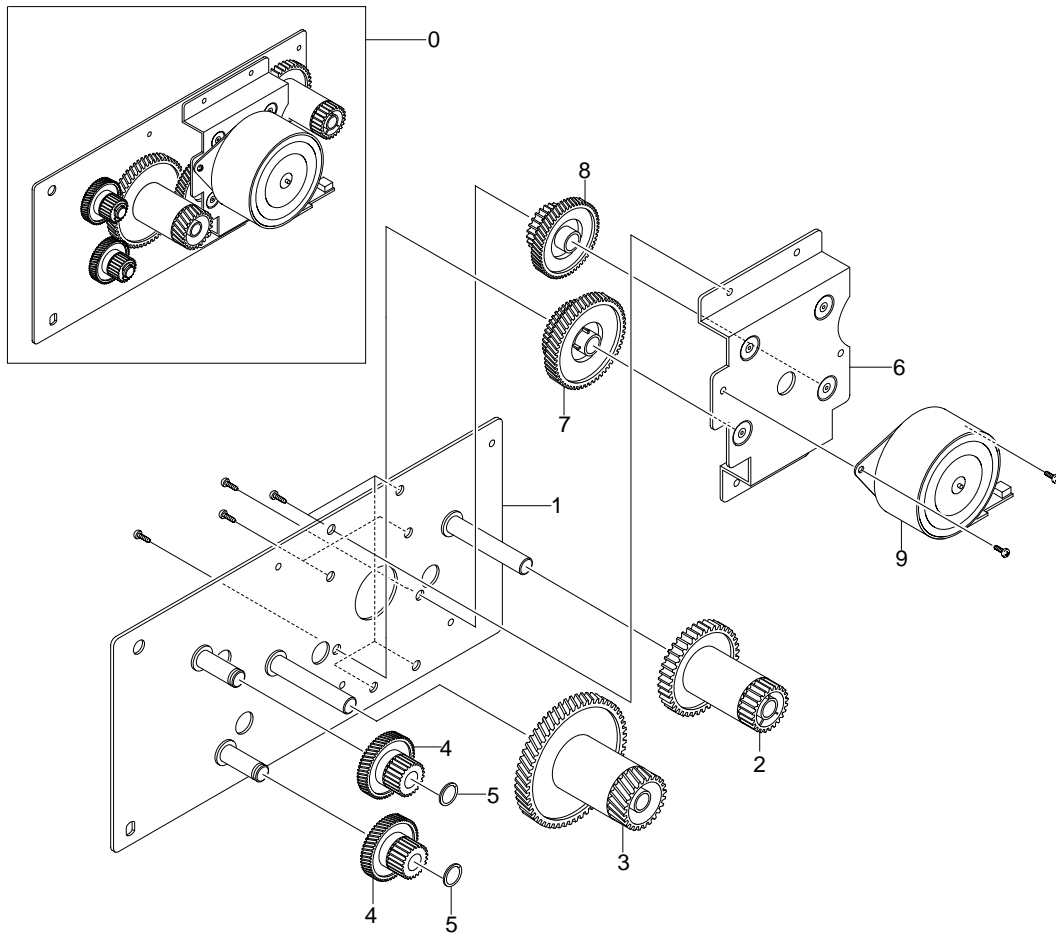


# 8.4 Fuser Unit Assembly

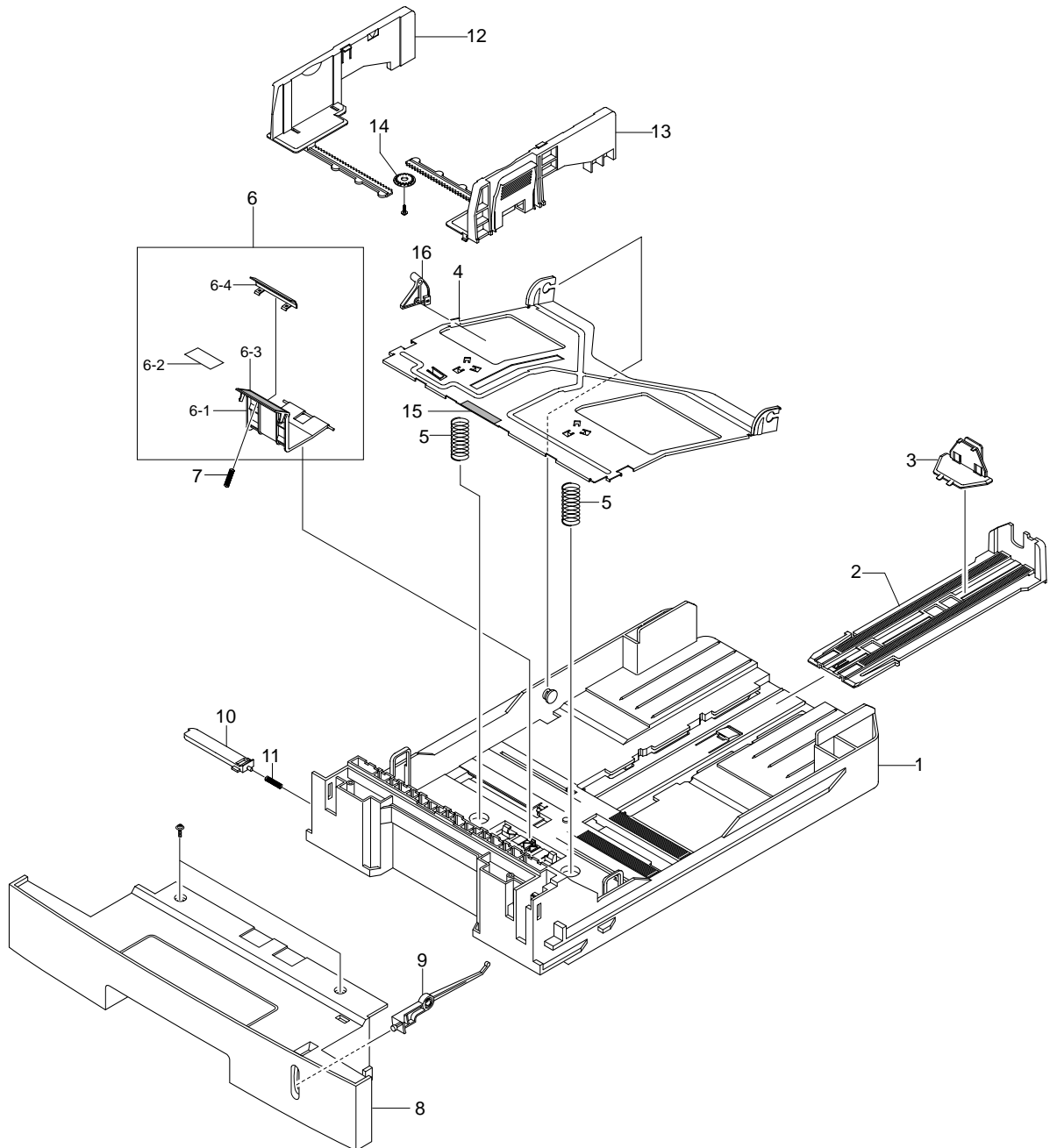
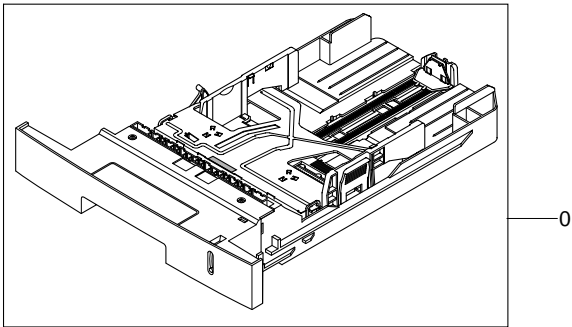


## 8.5 RX Driver Unit Assembly

---



## 8.6 Cassette Unit Assembly



## Service Parts List(Model: ML-2250/XAA)

SA : SERVICE AVAILABLE SNA : SERVICE not AVAILABLE DNA : DELIVERY not AVAILABLE

Drawer#	SEC_Code	Description&Specification	Location	Service
8.1-2	JC97-01953A	MEA UNIT-COVER TOP H2;ML-2250,SEC,-,COVE	Z2375	SA
8.1-2-2	JC72-01325B	PMO-STACKER RX H2;ML-2250,ABS,WHITE,-,-	Z5063	SA
8.1-2-3	JC64-00039A	KEY-M-ON LINE;ML-1400,ABS,-,-,WHT+SILVER	K0045	SA
8.1-2-4	6107-001169	SPRING-CS;SUS304-WPB,-,PI0.55,D9.3,14.25		SA
8.1-2-5	JC67-00026A	LENS LED-M-LED;ML-1400,PMMA,CLEAR,-,-,-	K3432	SA
8.1-2-6	JC61-00902A	BUSH-M-F/DOWN R2;SCX-4920N,POM,-,-,-,BLK	K2878	SA
8.1-3	JC63-00432A	COVER-M-SIDE L H2;ML-2250,HIPS,2.5,348.2	Z2231	SA
8.1-4	JC63-00430A	COVER-M-SIDE R H2;ML-2250,HIPS,2.5,348.2	Z2233	SA
8.1-5	JC97-01954A	MEA UNIT-COV REAR H2;ML-2250,SEC,-,COVER	Z2373	SA
8.1-5-1	JC63-00438A	COVER-M-REAR H2;ML-2250,HIPS,2.5,318.5,2	Z2335	SA
8.1-5-2	JC63-00439A	COVER-M-FACE UP H2;ML-2250,ABS,2.5,276.2	Z2185	SA
8.1-5-3	JC63-00431A	COVER-M-REAR OPEN;ML-2250,ABS,2.5,321.2,	Z2268	SA
8.1-6	JC97-01950A	MEA UNIT-COVER FRONT;ML-2250,SEC,-,COVER	Z2262	SA
8.1-6-1	JC63-00433A	COVER-M-FRONT H2;ML-2250,ABS,2.5,357.9,1	D0014	SA
8.1-6-2	JC64-00148A	KNOB-M-LOCKER;ML-2250,ABS,-,89.6,31.1,HB		SNA
8.1-6-3	JC61-00936A	HOLDER-M-LOCKER;ML-2250,HIPS HR-1360T,-,		SNA
8.1-6-4	JC63-00447A	TRAY-M-EXIT_MP;ML-2250,HIPS,-,235,119,-,	T4113	SA
8.1-6-5	JC70-00478A	ADJUST-M-MP L;ML-2250,ABS,-,82,128.4,-,-	K2018	SA
8.1-6-6	JC70-00479A	ADJUST-M-MP R;ML-2250,ABS,-,82,128.4,-,-	K2019	SA
8.1-6-7	JC63-00446A	TRAY-M-COVER_MP;ML-2250,HIPS,-,260.1,127	T4133	SA
8.1-6-8	JG66-40003A	GEAR-PINION;SF4000,POM,WHT,M1,Z16	G0035	SA
8.1-6-9	JC63-00445A	TRAY-M-CASE_MP;ML-2250,ABS,-,265,129.8,-	T4107	SA
8.1-6-10	JC63-00444A	TRAY-M-LINK_MP;ML-2250,PC,2,74.9,9.3,-,-	T4137	SA
8.1-6-11	JG61-70549A	SPRING ETC-CIS(C2);SF4400,SUS304WPB,D11.	C5029	SA
8.1-7	JC97-01952A	MEA UNIT-COVER MID H2;ML-2250,SEC,-,COVE	P8003	SA
8.1-7-1	JC63-00436A	COVER-M-MIDDLE H2;ML-2250,HIPS,2.5,131.1	Z2199	SA
8.1-7-2	JC72-01339A	PMO-M-SUB ACTUATOR;ML-2250,POM,-,46.3*20	A0004	SNA
8.1-7-3	JC67-00068A	CAP-M-SUB ACTUATOR;ML-2250,HIPS,-,35,28.		SNA
8.1-8	JC63-00434A	COVER-M-SMPS REAR;ML-2250,HIPS,2.5,191.2	S7039	SA
8.1-9	JC92-01439A	PBA MAIN-PANEL;ML-1400,SEC,PANEL B'D,-,-	M0239	SA
8.1-10	JC92-01595A	PBA MAIN-CONTROLLER;ML-2250,XAA,110V,-,-	Z1024	SA
8.1-12	JC97-01966A	MEA UNIT-SHIELD;ML-2250,SEC,-,SHIELD ASS	E2098	SA
8.1-13	JC61-00601A	BRACKET-P-INLET;ML-1400,SECC,1,124.8,28.	B4027	SA
8.1-15	JC97-01917A	MEA ETC-TR;SCX-4920N,DELL,-,TR ASS'Y,-,-	Z6247	SA
8.1-16	JC59-00018B	UNIT-LSU HUMMINGBIRD2;SCX-4920N,-,-,600D	L7044	SA
8.1-17	JC96-03078A	ELA UNIT-RX DRIVE;SCX-4920N,DELL,-,DRIVE	D4033	SA
8.1-18	JC39-00396A	CBF HARNESS-LSU;ML-2250,#26,UL 1061 / UL	L7002	SA
8.1-19	JC39-00240B	CBF HARNESS-ENGINE;ML-1750,CBF,UL1061,26	H1070	SA
8.1-20	JC97-01955A	MEA UNIT-CASSETTE HB2;ML-2250,SEC,-,CASS	K3548	SA
8.1-22	JC39-00355A	CBF HARNESS-MOTOR;SCX-4920N,CBF,UL1061,4	M2053	SA
8.2-1	JC61-00906A	FRAME-M-BASE R2;SCX-4920N,PC+ABS(NH-1000	B0081	SA
8.2-2	JC61-00607A	GUIDE-P-TR;ML-1710,SECC,0.5,239.1,76.4,-	G2089	SA
8.2-3	JC61-00604B	PLATE-E_SAW;SF-755P,SUS304-CSP 1/2H,0.1,	P5152	SA
8.2-4	JC61-00594A	GUIDE-M-TR RIB;ML-1710,PC+ABS,-,-,-,BLK,	G2079	SA
8.2-5	JC72-00143A	PMO-GEAR_EXIT_DRV16;SF-5100,POM(DE8903),		SNA
8.2-6	JC61-00835A	FOOT-BACK;ML-1750,NBR,D13.6,-,10.5,-,-	F1010	SA
8.2-7	JC61-00836A	FOOT-FRONT;ML-1750,NBR,D7,-,11.5,-,-	F1011	SA
8.2-8	JC63-00397A	GROUND-P-GUDIE TR R2;SCX-4920N,SUS301 1/		SNA
8.2-9	JC75-00049A	MEC-TERMINAL;SF-5100,SAMSUNG,-,-,-,-,-	K3739	SA
8.2-10	JC61-00903A	PLATE-P-TERMINAL CON R2;SCX-4920N,SUS304	K3385	SNA
8.2-11	JC61-00904A	PLATE-P-TERMINAL CR R2;SCX-4920N,SUS301-	P8153	SNA
8.2-12	JC61-00911A	HOUSING-M-TERMINAL R2;SCX-4920N,ABS(NH-1	H6040	SA
8.2-13	JC72-00983A	PMO-LOCKER CST;ML-1710,POM(DELIN 900P),W	L6030	SA

SA : SERVICE AVAILABLE SNA : SERVICE not AVAILABLE DNA : DELIVERY not AVAILABLE

Drawer#	SEC_Code	Description&Specification	Location	Service
8.2-14	JC72-00974A	PMO-ACTUATOR CVR OPEN;ML-1710,PC V0(NH10	O1073	SA
8.2-15	<a href="#">JC72-00985A</a>	PMO-PLATE GUIDE DEVE_R;ML-1710,POM(M90-4	G2286	SA
8.2-16	JC61-70932A	SPRING ETC-GUIDE DEVE;ML-5000A,-,D4.3,-,		SA
8.2-17	JC63-00401A	GROUND-P-PUSH BUSHING;SCX-4920N,C5210P,0	K3234	SNA
8.2-18	<a href="#">JC72-00984A</a>	PMO-PLATE GUIDE DEVE_L;ML-1710,POM(M90-4	G2285	SA
8.2-19	JC97-01927A	MEA UNIT-ACT FEED;SCX-4920N,DELL,-,ACT F	F6162	SA
8.2-19-1	JC72-01323A	PMO-ACT FEED R2;SCX-4920N,PC(NH-1023P),B	F6156	SNA
8.2-19-2	<a href="#">6107-001164</a>	SPRING-TS;SUS304-WPB,-,PI0.15,D3.95,L12,		SA
8.2-20	JC72-00975A	PMO-ACTUATOR EMPTY;ML-1710,PC(NH-1023P),	K3816	SA
8.2-21	JC97-01928A	MEA UNIT-ACT MANUAL;SCX-4920N,DELL,-,ACT	F6163	SA
8.2-21-1	JC72-01324A	PMO-ACT MANUAL R2;SCX-4920N,PC(NH-1023P)	K4129	SA
8.2-21-2	6107-001165	SPRING-TS;SUS304-WPB,-,PI0.2,D4,-,-,-,ID		SNA
8.2-22	JC63-00395A	GROUND-P-EARTH TR R2;SCX-4920N,SUS301 1/	K3232	SNA
8.2-23	JC63-00403A	GROUND-P-TERMINAL TR;SCX-4920N,STS304 WP	G2130	SA
8.2-24	JC66-00526A	ROLLER-FEED ROLLER 1;ML-1510,SUM24L+NI+E	F6201	SA
8.2-25	JC72-00382B	PMO-BUSHING FEED;ML-1710,POM(DERLIN 8903	P0034	SA
8.2-26	JC66-00398A	SHAFT-FEED;ML-1710,POM(M90-44),-,-,NTR,-	F6210	SA
8.2-27	JC97-01926A	MEA UNIT-PICK UP;SCX-4920N,DELL,-,PICK U	P2092	SA
8.2-27-1	JC61-00909A	HOUSING-M-PICK UP_R2;SCX-4920N,PC+ABS,-,	M2077	SA
8.2-27-2	JC61-00910A	HOUSING-M-PICK UP2_R2;SCX-4920N,PC+ABS,-	M2078	SA
8.2-27-3	JC72-01231A	SPONGE-ROLLER PICK_UP;ML-1510,EPDM+IR,-,	P2164	SA
8.2-28	JC70-00307A	IPR-P-EARTH TRANSFER;ML-1710,SECC,-,1.0T	K3367	SA
8.2-29	JC61-00907A	HOLDER-M-PTL R2;SCX-4920N,PC(NH-1023P), 1	H4041	SA
8.2-30	JC67-00027A	LENS-PTL;ML-1710,PMMA,NTR,-,-,-,-	K3433	SA
8.2-31	<a href="#">JC72-00102A</a>	PMO-BUSHING_TR(L);SF-5100,POM(CH-15),BL	K3856	SA
8.2-32	JC61-00047A	SPRING ETC-TR L HAWK;ML-6060A,SWP-B,-,-,-,	S0033	SA
8.2-33	JC66-00598A	ROLLER-FEED;ML-1710,SUM24L+NI+EPDN,5/12.	F6200	SA
8.2-34	JC61-00588A	BUSH-M-TR L;ML-1710,POM(M90-44),-,-,-,BL	K2886	SA
8.2-35	JC63-00396A	GROUND-P-FUSER R2;SCX-4920N,SUS301 1/2H,		SNA
8.2-36	JC66-00527A	SHAFT-FEED IDLE;ML-1510,SUM24L+NI,223,8,	F6209	SA
8.2-37	JC61-00585A	BUSH-M-FEED IDLE;ML-1710,POM(CF620-GF20%	F6043	SA
8.2-38	JC61-70958A	SPRING ETC-TR;ML-5000A,SUS304 WPB,PI0.55		SA
8.2-39	JC63-00398A	GROUND-P-DRIVE2 R2;SCX-4920N,SUS301 1/2H		SNA
8.2-40	6107-001170	SPRING-TS;SWP-B,-,PI0.9,D6.0,-,-,-,ID5.2		SA
8.2-41	JC66-00377A	CAM-M-PICK_UP;ML-1710,POM(DELIN 8903),-	P2042	SA
8.2-42	JC63-00394A	GROUND-P-DRIVE R2;SCX-4920N,SUS301 1/2H,		SNA
8.2-43	JC33-00014A	SOLENOID-FEED ROCKY2,-,SCX-4920,-,-,-,-,	P2162	SA
8.2-44	JC33-00010A	SOLENOID-HB (MANUAL);-,ML-1510,DC24V,-,-	S8015	SA
8.2-45	JC97-01929A	MEA UNIT-GEAR PICK UP;SCX-4920N,DELL,-,G	P2009	SA
8.2-45-1	JC66-00705A	GEAR-PICK UP B_R2;SCX-4920N,POM(M90-44),	G0360	SA
8.2-45-2	JC66-00704A	GEAR-PICK UP A_R2;SCX-4920N,POM(DELRIN 5		SA
8.2-45-3	<a href="#">6107-001167</a>	SPRING-CS;SUS304-WPB,-,PI0.25,D3.25,L9.6	D4089	SA
8.2-46	JC97-01925A	MEA UNIT-BRACKET FEED;SCX-4920N,DELL,-,B	F6040	SA
8.2-46-1	JC61-00913A	BRACKET-P-FEED R2;SCX-4920N,SECC,1.0,100	F6041	SA
8.2-46-2	JC66-00690A	GEAR-35 IDLE;SF-755P,POM(M90-44),0.8,35,	G0147	SNA
8.2-47	JC97-01788A	MEA UNIT-CLUTCH;ML-1710,SAMSUNG,-,-,-,-,-,	C9040	SA
8.2-47-1	JC66-00393A	GEAR-FEED 1;ML-1710,POM(DELIN 8903),-,-,	F6071	SA
8.2-47-2	JC72-00978A	PMO-COLLAR_SPRING;ML-1710,POM(M90-44),NT	Z4125	SA
8.2-47-3	6107-001171	SPRING-TS;SWRS82A,-,0.75X0.5,D14.2,-,-,-,-		SA
8.2-47-4	JC72-00981A	PMO-HUB CLUTCH;ML-1710,POM(M90-44),NTR,-		SNA
8.2-48	JC96-03105B	ELA HOU-FUSER		SA
8.2-49	JC61-00914A	PLATE-P-PUSH BUSHING;SCX-4920N,SECC,0.8,	K3234	SNA
8.2-50	JC66-00394A	GEAR-FEED 2;ML-1710,POM(M90-44),-,-,-,NT	F6072	SA
8.2-51	<a href="#">JC66-00396A</a>	GEAR-IDLE 23;ML-1710,POM(M90-44),0.8,23,	G0256	SA
8.2-53	JC61-00586A	BUSH-M-PICK_UP L;ML-1710,POM(DELIN 8903)	P2039	SA
8.2-55	JC66-00399A	SHAFT-P-PICK_UP;ML-1710,SECC,-,-,-,-,0.8	P2160	SA
8.2-56	JC92-01621A	PBA SUB-PTL;ML-2250,SEC,KOREA,PTL,-,-,-,-,	M0411	SA
8.2-57	JC61-00915A	STOPPER-M-PICK UP_R2;SCX-4920N,POM(DELIN	K3752	SA

SA : SERVICE AVAILABLE SNA : SERVICE not AVAILABLE DNA : DELIVERY not AVAILABLE

Drawer#	SEC_Code	Description&Specification	Location	Service
8.2-58	JC61-00908A	HOLDER-M-TERMINAL R2;SCX-4920N,PC+ABS(NH	H4037	SA
8.2-59	JC72-00982A	PMO-IDLE PICK_UP;ML-1710,POM(M90-44),NTR	P2131	SA
8.2-60	JC61-00587A	BUSH-M-PICK_UP R;ML-1710,POM(M90-44),-,	P2067	SA
8.2-61	JC61-00829A	HOLDER-BEARING EXIT F/DOWN;SCX-4216F,POM	H4009	SA
8.2-62	JC66-00038A	GEAR-EXIT F/DOWN;ML-4500,POM,WHT,-,-	E4039	SA
8.2-63	JC66-00378A	ROLLER-EXIT F/DOWN;ML-1710,PC(NH-1023),9	E4159	SA
8.2-64	JC73-40915A	RMO-RUBBER EXIT;SF-5800P,EPDM,11.6 PI,60		SA
8.2-65	JC97-01034A	MEA RACK-EXIT ROLLER;ML-1605,SUMSUNG,KOR	E4060	SA
8.2-65-1	JC72-41006A	PMO-HOLDER EXIT ROLL;ML-165,PC,BLK,HB,-	E4126	SA
8.2-65-2	JC72-41007A	PMO-ROLLER FD F;ML-165,POM,BLACK,-,-,-	P0048	SA
8.2-65-3	JC72-41008A	PMO-ROLLER FD R;ML-165,POM,BLACK,-,-,-	P0049	SA
8.2-65-4	JC61-70911A	SPRING ETC-EXIT ROLL FD;ML-165,SUS304 WP	S0021	SA
8.2-66	JC61-00917A	GUIDE-M-SUB FRONT;SCX-4920N,HIPS,-,54.2,		SNA
8.2-70	JC92-01604A	PBA SUB-EXIT SENSOR;SCX-4920N,SEC,KOREA,	M0330	SA
8.2-72	JC68-00317A	LABEL(R)-HOT CAUTION,KME;ML-7050,TETRON,		SNA
8.2-73	JC31-00025A	FAN-DC;AD0624MSA70GL(R1)DOL,CLP-500,PBT+	F0002	SA
8.3-0	JC96-03132A	ELA UNIT-MP;ML-2250,SEC,-,MP,-,-,-	K3155	SA
8.3-1	JC61-00923A	FRAME-M-MP;ML-2250,ABS,-,-,-,2.5,85.5,31	F2243	SA
8.3-2	JC33-00015A	SOLENOID-MP;-ML-2250,DC24V,-,-,-,300M	S8014	SA
8.3-3	JC39-00365A	CBF HARNESS-MPF SEN;SCX-4720F,CBF,UL1061	H1168	SA
8.3-7	JC61-00924A	HOLDER-M-PAD_MP;ML-2250,PC+ABS,-,48,24.2	H4029	SA
8.3-9	JC61-00926A	HOLDER-M-SENSOR_MP;ML-2250,ABS,-,22.3,36	H4108	SA
8.3-10	JC61-00927A	PLATE-P-KNOCK UP_MP;ML-2250,SECC,1.0,252		SNA
8.3-11	JC61-00932A	BRACKET-P-PICKUP_MP;ML-2250,SECC,1.2,57.	P2122	SA
8.3-14	JC66-00529A	ROLLER-M-IDLE FEED;ML-1510,POM(DELRIN890	F6203	SA
8.3-15	JC66-00710A	GEAR-M-PICK UP_MP;ML-2250,POM,0.8,33,-,-	P2110	SA
8.3-16	JC66-00709A	GEAR-M-HOLDER_MP;ML-2250,POM,0.8,33,-,-,	H4073	SA
8.3-17	JC66-00711A	CAM-M-PICK UP_MP;ML-2250,POM,-,26.1*15.9	P2041	SA
8.3-18	JC72-00761A	PMO-ROLLER CAM.MP;SCX-5100,POM,WHITE,-,-	K4061	SA
8.3-20	JC72-01338A	PMO-M-ACT EMPTY MP;ML-2250,PC,BLK,H31.4,	K3119	SA
8.3-21	JC73-00140A	RPR-FRICTION PAD;ML-1510,NBB,1T 8.9*47.5	P0034	SA
8.3-24	JC73-00141A	RPR-PAD CASSETTE;ML-1510,URETHANE SPONGE	R0020	SA
8.3-25	6107-001237	SPRING-ES;SUS304-WPB,-,P0.5,D4.5,L42,-,-		SNA
8.3-26	JC63-00545A	SHEET-GUIDE PAPER H2;ML-2250,PET,0.188T,		SNA
8.3-27	JC66-00720A	SHAFT-P-CORE;ML-1750,SECC 1.2T,203,-,-,-	P2158	SA
8.3-28	JC63-00448A	SHEET-GUIDE MP;ML-2250,PET,0.125,200,25,		SNA
8.3-30	6107-001047	SPRING-ES;PI0.45,D2.75,L24.2,-,SUS304		SA
8.3-31	0604-001095	PHOTO-INTERRUPTER;TR,90%,150mW,DIP-4,BK	P0013	SA
8.3-31	0604-001210	PHOTO-INTERRUPTER;TR,-,200mW,DIP-4,ST		SNA
8.4-1	JC63-00363A	COVER-M-FUSER R2;SCX-4920N,PET+GF30%,78.	Z2194	SA
8.4-2	JC61-00886A	HOLDER-M-PLATE CLAW R2;SCX-4920N,PPS+GF4	H4031	SA
8.4-3	JC61-00064A	SPRING ETC-CLAW;ML-5200A,SUS 304 WPB,¥00	B2031	SA
8.4-4	JC72-40361A	PMO-ROLLER_EXIT;SCF(XR),POM,NATURAL,-,M9	R0015	SNA
8.4-5	JC61-70976A	SPRING ETC-FUSER EXIT;ML-7000,SUS304-WPB	S0021	SNA
8.4-6	JC47-00005A	THERMOSTAT-150;ML-1510,-,125/250V,15/7.5	K4279	SA
8.4-9	6044-000125	RING-E;ID4,OD9,T0.6,PASS,STSC	R0004	SA
8.4-10	JC66-00397A	GEAR-RDCN 25/15;ML-1710,POM(M90-44),-,25	G0386	SA
8.4-12	JC70-00473A	ELECTRODE-P-LFET R2;SCX-4920,-,-,-,-		SNA
8.4-13	1404-001298	THERMISTOR-NTC;7KOHM,-,3370K,0.3MW/C,-,-	W3071	SA
8.4-14	JC70-00472A	ELECTRODE-P-RIGHT R2;SCX-4920,-,-,-,-		SNA
8.4-16	JC61-00887A	BUSH-M-HR R_R2;SCX-4920N,PPS(RBA313N),25	K2880	SA
8.4-17	JC68-30928D	LABEL(P)-CAUTION, HOT_FUSER;ML-1210,PET,		SNA
8.4-18	JC73-00017A	RMO-RUBBER_EXIT;SF-5100,EPDM,14.4*9.8,50	K4215	SA
8.4-19	JC66-00380A	ROLLER-M-EXIT F/UP;ML-1710,PC(GE EXL-911	E0041	SA
8.4-20	JC66-00600B	ROLLER-PRESSURE_CHINA;ML-1710/XIL,SPONGE	P6016	SA
8.4-21	JC66-10901A	BEARING-PRESSURE/R;ML-165,PPS(RBA313N),-	P6004	SA
8.4-22	6107-001168	SPRING-CS;PW-2,-,PI0.95,D5.95,L16,-,-,ID	D4085	SA
8.4-23	JC72-00382A	PMO-BUSHING TX;ML-6060A,POM M9044,BLK,-,		SNA

SA : SERVICE AVAILABLE SNA : SERVICE not AVAILABLE DNA : DELIVERY not AVAILABLE

Drawer#	SEC_Code	Description&Specification	Location	Service
8.4-24	JC61-00581A	HOLDER-ACTUATOR;ML-1710,PBT GP2150+GF 15		SNA
8.4-25	JC72-01319A	PMO-ACTUATOR EXIT R2;SCX-4920N,PC+GF20%,	E4093	SA
8.4-26	JC61-00890A	FRAME-P-FUSER R2;SCX-4920,SECC,-,-,1.2	F2122	SA
8.4-27	JC61-00889A	GUIDE-M-INPUT R2;SCX-4920N,PET+GF30%,2.5		SNA
8.4-29	6021-000222	NUT-HEXAGON;2C,M3,ZPC(YEL),SM20C,-		SNA
8.4-30	JC61-00888A	BUSH-M-HR L R2;SCX-4920N,PPS(RBA313N),25	K2879	SA
8.4-31	JC61-00605A	PLATE-P-CLAW;ML-1710,SUS304-CSP,0.1,-,-,	H4032	SNA
8.4-32	JC66-00695A	GEAR-FUSER R2;SCX-4920N,PPS(OFL4036),0.8	D4037	SA
8.4-33	4713-001182	LAMP-HALOGEN;115V,-,600W,-,-,6X284MM	K2297	SA
8.4-35	6003-000196	SCREW-TAPTITE;PWH,+ ,B,M3,L10,NI PLT,SWRC		SA
8.4-35	6003-000261	SCREW-TAPTITE;BH,+ ,B,M3,L6,ZPC(YEL),SWRC		SNA
8.4-35	6003-000264	SCREW-TAPTITE;PWH,+ ,B,M3,L6,ZPC(YEL),SWR		SNA
8.4-35	6003-000266	SCREW-TAPTITE;PWH,+ ,S,M3,L6,ZPC(YEL),SWR		SNA
8.4-35	6003-000301	SCREW-TAPTITE;BH,+ ,S,M4,L6,ZPC(YEL),SWRC		SNA
8.4-35	6006-001078	SCREW-TAPTITE;WSP,PH,+ ,M3,L10,ZPC(YEL),S		SNA
8.4-35	6003-000282	SCREW-TAPTITE;BH,+ ,B,M3,L8,ZPC(BLK),SW		SA
8.4-36	6001-000568	SCREW-MACHINE;PH,+ ,M3,L8,NI PLT,SWRCH18A		SA
8.4-36	6001-000131	SCREW-MACHINE;BH,+ ,M3,L6,ZPC(YEL),SWRCH1		SNA
8.4-36	6006-001193	SCREW-MACHINE;WSP,PH,+ ,M3,10,ZPC(YEL),SW		SNA
8.4-37	6003-000269	SCREW-TAPTITE;BH,+ ,S,M3,L6,ZPC(YEL),SW		SA
8.4-38	JC75-00095A	MEC-BRUSH ANTISTATIC;ML-6060A,SEC,NTR	M0022	SA
8.5-1	JC61-00891A	BRACKET-P-GEAR MAIN;SCX-4920N,SECC,1.6,2	B4055	SA
8.5-2	JC66-00388A	GEAR-RDCN 53/26;ML-1710,POM(DE390PM),-,5	G0393	SA
8.5-3	JC66-00706A	GEAR-RDCN 113/33;SCX-4920N,POM(DELIN8903	G0381	SA
8.5-4	JC66-00389A	GEAR-RDCN 57/18;ML-1710,POM(M90-44),-,57	G0394	SA
8.5-5	6031-000023	WASHER-PLAIN;- ,ID5.9,OD10.0,T0.5,BLK,POL	W0001	SNA
8.5-5	6031-000022	WASHER-PLAIN;- ,ID5.9,OD10.0,T0.13,BLK,PO		SNA
8.5-5	6031-001051	WASHER-PLAIN;M4,ID4.1,OD7.0,T0.13,* ,POLY	S2004	SNA
8.5-6	JC61-00916A	BRACKET-P-MOTOR MAIN R2;SCX-4920N,SECC,1	M2048	SA
8.5-7	JC66-00390A	GEAR-RDCN 103/41;ML-1710,POM(NW-02),-,10	G0396	SA
8.5-8	JC66-00392A	GEAR-RDCN 90/31;ML-1710,POM(NW02),-,90/3	G0380	SA
8.5-9	JC31-00037A	MOTOR STEP-MAIN;M55SP-2NK,SCX-4920N,1.2A	M2159	SA
8.6-1	JC61-00876A	FRAME-M CASSETTE;SF-755P,HIPS,HR-1360,HB		SNA
8.6-2	JC61-00918B	GUIDE-M-EXTENSION L2;ML-2250,HIPS,- ,184.	E5013	SA
8.6-3	JC72-00971A	PMO-EXTENSION SMALL;ML-1710,ABS(HF-0660I	E5014	SA
8.6-4	JC61-00603A	PLATE-P-KNOCK_UP;ML-1710,SECC,1,250.7,16		SNA
8.6-5	6107-001166	SPRING-CS;SUS304-WPB,- ,PI0.65,D12.65,L59		SA
8.6-6	JC97-01931A	MEA UNIT-HOLDER PAD;SCX-4920N,DELL,- ,HOL	P0014	SA
8.6-6-1	JC61-00580A	HOLDER-M-PAD;ML-1710,PC+ABS(NH-1023P),-,	P0034	SA
8.6-6-2	JC63-00407A	SHEET-HOLDER PAD R2;SCX-4920N,PC,0.125T,		SNA
8.6-6-4	JC70-00314A	IPR-PLATE PAD;ML-1710,SUS304-CSP,- ,0.1,-	P0009	SA
8.6-8	JC63-00441A	COVER-M-SUB CASSETTE H2;ML-2250,ABS,2.5,	Z2234	SA
8.6-9	JC64-00143A	INDICATOR-M-CST PAPER;ML-2250,HIPS(HR-13	S4102	SNA
8.6-10	JC72-00972A	PMO-PLATE_LOCKER;ML-1710,POM(M90-44),WHT	L6051	SA
8.6-11	JG61-70531A	SPRING ETC-LOCKER,PLATE;SF6000,STS304WPB	S0025	SA
8.6-12	JC70-00300A	ADJUST-M-CASSETTE_L;ML-1400,ABS,-,-,VI	K2014	SA
8.6-13	JC70-00301A	ADJUST-M-CASSETTE_R;ML-1400,ABS,-,-,VI	K2015	SA
8.6-16	JC66-00719A	CAM-M-KNOCK UP;ML-1750,POM(KOLON K700),-		SNA
Replacement	JC69-00569A	BOX(P)-MAIN HB2;COMMON,SW, A,A1,454,581,-		SA
Replacement	3903-000085	CBF-POWER CORD;DT,US,BP3/YES,I(IEC C13/C		SA
#N/A	JC68-00761A	MANUAL-PRC;COMMON,SEA,ENGLISH,USA,MOJO 1		SNA
#N/A	JC68-01346A	MANUAL-QRG;COMMON,XAA,ENGLISH,AMERICA,AR		SNA
#N/A	JC96-03099A	ELA HOU-ENGINE HB2;ML-2250,SEC,- ,ENGINE		SNA
#N/A	JC96-03111B	ELA HOU-SMPS		SA
#N/A	JC96-03130A	ELA HOU-FRAME_110V HB2;ML-2250,SEC,- ,FRA		SA
#N/A	JC96-03151C	ELA HOU-DEVE HB2;ML-2250/SEE,SEC,- ,CARTR		SNA
#N/A	JC96-03153A	ELA HOU-COVER;ML-2250,SEC,- ,COVER,-,-,-		SNA
#N/A	JC99-01743A	INA-ACCESSORY_XAA;ML-2250,XAA,AMERICA,-,-		SNA

SA : SERVICE AVAILABLE SNA : SERVICE not AVAILABLE DNA : DELIVERY not AVAILABLE

Drawer#	SEC_Code	Description&Specification	Location	Service
#N/A	JC99-01755A	PAA-PACKING HB2;ML-2250,SEC,-,PACKING,HB		SNA
#N/A	JC99-01756A	PAA-LABEL;ML-2250/XAA,SEC,-,LABEL ASS'Y,		SNA
#N/A	JC99-01775A	PAA WOOD-MATERIAL;ML-2250,SEC,-,MATERIAL		SNA
#N/A	0202-000008	SOLDER-WIRE;HI-FLO,3.0,-,D3.0,63SN/37PB,		SNA
#N/A	0202-000118	SOLDER-WIRE FLUX;KR-19RMA SUPERFLOW,-,D0		SNA
#N/A	0202-001025	FLUX;KS-611,-,-,-,SPRAY		SNA
#N/A	0203-000007	TAPE-FILAMENT;3M,T0.15,W18,L55M,TRP		SNA
#N/A	0203-001100	TAPE-OPP MASKING;OPP/W75/CLR,T0.05,W75,L		SNA
#N/A	0204-000469	THINNER;#4662,-,0.795,-		SNA
#N/A	0205-000005	GREASE-BEARING;EP56,DIAMOND HYDRO FLUID,		SNA
#N/A	0205-001003	GREASE-BEARING;NYOGEL788,DAMPING GREASE,		SNA
#N/A	0205-001056	GREASE-GRAPHITE;CRS841,WHT,-		SNA
#N/A	0402-000129	DIODE-RECTIFIER;1N4003,200V,1A,DO-41,TP		SA
#N/A	2001-000935	R-CARBON;68OHM,5%,1/4W,AA,TP,2.4X6.4MM		SA
#N/A	2005-000168	R-WIRE WOUND,NON;0.22ohm,5%,2W,AA,BK,4x1		SA
#N/A	2801-003582	CRYSTAL-UNIT;30MHz,50ppm,28-AAA,18pF,80o		SA
#N/A	2801-003886	CRYSTAL-UNIT;12MHz,50ppm,28-AAA,16pF,50o		SNA
#N/A	2801-004241	CRYSTAL-UNIT;19.61374MHZ,20PPM,-,18PF,25		SNA
#N/A	3702-000118	CONNECTOR-RIBBON;36P,FEMALE,ANGLE,AU		SNA
#N/A	3702-001121	CONNECTOR-RIBBON;60P,MALE,STRAIGHT,AUF		SA
#N/A	3709-001131	CONNECTOR-CARD EDGE;100P,1.27MM,STRAIGHT		SNA
#N/A	3711-000015	HEADER-BOARD TO CABLE;BOX,2P,1R,2.5MM,ST		SA
#N/A	3711-002003	HEADER-BOARD TO CABLE;BOX,26P,2R,2mm,STR		SNA
#N/A	3711-002812	HEADER-BOARD TO CABLE;BOX,11P,1R,2mm,STR		SNA
#N/A	3711-003408	HEADER-BOARD TO CABLE;BOX,2P,1R,2mm,STRA		SNA
#N/A	3711-003409	HEADER-BOARD TO CABLE;BOX,3P,1R,2mm,STRA		SNA
#N/A	3711-003410	HEADER-BOARD TO CABLE;BOX,4P,1R,2mm,STRA		SNA
#N/A	3711-003942	HEADER-BOARD TO CABLE;BOX,2P,1R,2mm,STRA		SA
#N/A	3711-003969	HEADER-BOARD TO CABLE;BOX,2P,1R,2.5mm,ST		SNA
#N/A	3711-004349	HEADER-BOARD TO CABLE;BOX,3P,1R,2MM,STRA		SA
#N/A	3711-004379	HEADER-BOARD TO CABLE;BOX,4P,1R,2MM,STRA		SA
#N/A	3722-000124	JACK-DIN;8P,-,AU,BLK,-		SNA
#N/A	3722-001101	JACK-USB;4P/1C,AU,IVR,ANGLE,B TYPE		SA
#N/A	6002-000175	SCREW-TAPPING;PWH,+2,M3,L8,ZPC(YEL),SM2		SA
#N/A	6009-001463	SCREW-SPECIAL;SPECIAL,j <sup>3</sup> / <sub>4</sub> ,-,M3,L10,NI PLTS		SNA
#N/A	6044-000001	RING-CS;ID3,OD3,T0.25,BLACK,SUS304	D4088	SNA
#N/A	6501-000004	CABLE TIE;DA-80,T1,W2.5,L80,NTR,NYLON66	K2756	SA
#N/A	6502-001093	CABLE CLAMP;DAWS-3NE,ID11*L34.8,-,NYLON6	C0002	SA
#N/A	6902-000288	BAG PE;LDPE,T0.05,W250,L450,TRP,8,2-		SNA
#N/A	6902-000312	BAG PE;HDPE,T0.015,W1000,L900,TRP,8,4-		SNA
#N/A	6902-000379	BAG AIR;LDPE,T0.2,W1000,L1800,TRP,-,-		SNA
#N/A	JB68-00073A	LABEL(R)-BAR CODE;SF-3000,PY,38X6.5,T0.1		SNA
#N/A	JB75-10029A	MEC-RIBBON BARCODE S;COLUMBUS,KISCOM,BLK		SNA
#N/A	JC02-00022A	TONER-ROCKY2;SCX-4920N,-,8.0UM,-,-		SNA
#N/A	JC39-00348A	CBF HARNESS-OPE;SCX-4920N,CBF,UL1061,5PI		SA
#N/A	JC39-00375A	CBF HARNESS-LSU_GND;SCX-4920N,CBF,UL1007		SA
#N/A	JC44-00068A	SMPS-V1(XAA);ML-2250,-,AC/DC,45.7W,100-1	S7050	SA
#N/A	JC46-00213A	S/W APPLICATION-DRV;-ML-2250,LBP DRV,1.		SNA
#N/A	JC61-00606A	PLATE-P-CHANNEL;ML-1710,SECC,1,-,-,-	P5151	SA
#N/A	JC61-00679A	BRACKET-P_DUMMY CTRL;ML-2150,SECC,0.6,-,	D2001	SA
#N/A	JC61-00922A	FRAME-M-DEV UPPER SEC;ML-2250,HIPS,-,HB,		SNA
#N/A	JC61-00937A	GUIDE-M-KNOCK UP;ML-1750,POM,-,77.8,20.8	P5146	SA
#N/A	JC66-00701A	DRUM-OPC R2;SCX-4920N,AL,-,24.01,246,-,A		SNA
#N/A	JC68-00573A	LABEL(R)-BARCODE;ML-4500,PET,T0.05,10mm,		SNA
#N/A	JC68-00690A	MANUAL-(CARD)WARRANTY CARD;ML-1210,XEU,E		SNA
#N/A	JC68-00761B	MANUAL-REGISTRATION CARD;COMMON,XAC,FREN		SNA
#N/A	JC68-00761C	MANUAL-WARRANTY CARD;COMMON,XAC,FRENCH,C		SNA
#N/A	JC68-00761D	MANUAL-REGISTRATION;COMMON,XAA,FRENCH,CA		SNA

SA : SERVICE AVAILABLE SNA : SERVICE not AVAILABLE DNA : DELIVERY not AVAILABLE

Drawer#	SEC_Code	Description&Specification	Location	Service
#N/A	JC68-01065B	LABEL(R)-RATING(US);COMMON,US,TETRON,0.0		SNA
#N/A	JC68-10914D	LABEL(P)-SERIAL NO;ML-85,ART,70X15,G100,		SNA
#N/A	JC68-10932A	LABEL(P)-BLANK(ML);ML-85,ART,70X60,G100,		SNA
#N/A	JC68-30587A	LABEL(R)-CUSTOMER;COMMON,PE,-,T0.075,-,,		SNA
#N/A	JC69-00628A	CUSHION-EPS R/L(XRX);ML-2250/XRX,EPS,-,1		SNA
#N/A	JC94-00722A	PHANTOM AU JC92-01595A		SNA
#N/A	JC97-01918A	MEA ETC-DEVE;SCX-4920N,DELL,-,-,-,-,-		SNA
#N/A	JC97-01930A	MEA UNIT-ROLLER EXIT;SCX-4920N,DELL,-,RO		SA
#N/A	JC97-01956A	MEA UNIT-CLEAN FELT;SCX-4920N,DELL,-,CLE		SNA
#N/A	JC97-02001B	MEA-PROTECTION CARD;ML-2250,SEC,-,PROTEC		SNA
#N/A	JC97-02034A	MEA-PICK UP_MP;ML-2250,SEC,-,PICK UP-MP		SA
#N/A	JF68-10532B	LABEL(P)-BAR CODE;CLP-500,-,YUPO PAPER,1		SNA
#N/A	0201-001162	ADHESIVE-CYA;LOCTITE403,NTR,1250,20G		SNA
#N/A	0201-001183	ADHESIVE-AA;ARON ALPHA #202F,NTR,100,20G		SNA
#N/A	0202-000108	SOLDER-CREAM;RMA-20-21L,-,20~38 \$,-62.8SS		SNA
#N/A	0203-001189	TAPE-ACETATE;#810,T0.05,W12,L65000,NTR		SNA
#N/A	0205-001059	GREASE-BEARING;PETAMO GHV 133,BEIGE,15KG		SNA
#N/A	0205-001067	GREASE-GRAPHITE;NYOGEL 756G,HYDRO CARBON		SNA
#N/A	0205-001088	GREASE-BEARING;NICHIMOLY DM-1770X,PTFE,-		SNA
#N/A	0401-000116	DIODE-SWITCHING;MMSD914T1,100V,200MA,SOD		SNA
#N/A	0401-000122	DIODE-SWITCHING;1SS355,80V,100MA,SOD-323		SA
#N/A	0404-000112	DIODE-SCHOTTKY;RB420D,40V,100MA,SOT-23,T		SA
#N/A	0407-000101	DIODE-ARRAY;DA204K,20V,100mA,C2-3,SOT-23		SA
#N/A	0501-000150	TR-SMALL SIGNAL;2SA1037,PNP,200mW,SOT-23		SA
#N/A	0501-000279	TR-SMALL SIGNAL;KSA1182-Y,PNP,150mW,SOT-		SA
#N/A	0501-000338	TR-SMALL SIGNAL;2SC2812,NPN,200mW,SOT-23		SA
#N/A	0501-000457	TR-SMALL SIGNAL;MMBT2222A,NPN,350MW,SOT-		SA
#N/A	0504-000111	TR-DIGITAL;DTC114YK,NPN,200MW,10K/47K,SO		SA
#N/A	0601-000003	LED;ROUND,RED/GRN,3.1MM,650/563NM,3.8X5.		SA
#N/A	0601-000142	LED;ROUND,Y-GRN,3.0mm,570nm		SNA
#N/A	0601-001908	LED;ROUND,RED,3MM,630NM,3.2X4.6MM		SNA
#N/A	0801-000794	IC-CMOS LOGIC;7S08,AND GATE,SOT-25,5,63M		SA
#N/A	0801-002095	IC-CMOS LOGIC;74LCX245,TRANSCEIVER,TSSOP		SA
#N/A	0801-002143	IC-CMOS LOGIC;7S32,OR GATE,SOT-23,5P,63M		SA
#N/A	0801-002446	IC-CMOS LOGIC;74LCX14,SCHMITT INVERTER,T		SNA
#N/A	0801-002591	IC-CMOS LOGIC;74LVX273,D FLIP-FLOP,TSSOP		SA
#N/A	0904-001752	IC-USC;NET2270,16BIT,TQFP,64P,10X10MM,30		SNA
#N/A	1003-001535	IC-MOTOR DRIVER;A3977SLP,TSSOP,28P,9.6X4		SA
#N/A	1006-001224	IC-LINE TRANSCEIVER;74LVX161284,TSSOP,48		SA
#N/A	1103-001228	IC-EEPROM;93C66,4KBIT,256X16BIT,SOP,8P,5		SA
#N/A	1105-001464	IC-DRAM;K4S641632,4MX16BIT,TSOP(II),54P,		SA
#N/A	1107-001286	IC-FLASH MEMORY;29LV160,2MX8/1MX16BIT,TS		SNA
#N/A	1202-000164	IC-VOLTAGE COMP.;393,SOP,8P,150MIL,DUAL,		SA
#N/A	1203-001455	IC-POSI.FIXED REG.;1117,DPAK,3P,265MIL,P		SA
#N/A	1203-002220	IC-POSI.ADJUST REG.;LD1117,DPAK,3P,240MI		SA
#N/A	1203-002233	IC-RESET;XC61F,SOT-23,3P,-,PLASTIC,0.7/1		SNA
#N/A	1205-002258	IC-CLOCK GENERATOR;CY25814SC,SOIC,8P,150		SNA
#N/A	1205-002339	IC-CLOCK GENERATOR;CY25811SC,SOIC,8P,150		SA
#N/A	2007-000067	R-CHIP;15Kohm,1%,1/10W,TP,1608		SA
#N/A	2007-000070	R-CHIP;0ohm,5%,1/10W,TP,1608		SA
#N/A	2007-000071	R-CHIP;22ohm,5%,1/10W,TP,1608		SA
#N/A	2007-000074	R-CHIP;100ohm,5%,1/10W,TP,1608		SA
#N/A	2007-000076	R-CHIP;330ohm,5%,1/10W,TP,1608		SA
#N/A	2007-000078	R-CHIP;1Kohm,5%,1/10W,TP,1608		SA
#N/A	2007-000082	R-CHIP;3.3Kohm,5%,1/10W,TP,1608		SA
#N/A	2007-000084	R-CHIP;4.7Kohm,5%,1/10W,TP,1608		SA
#N/A	2007-000086	R-CHIP;5.6Kohm,5%,1/10W,TP,1608		SA
#N/A	2007-000090	R-CHIP;10Kohm,5%,1/10W,TP,1608		SA

SA : SERVICE AVAILABLE SNA : SERVICE not AVAILABLE DNA : DELIVERY not AVAILABLE

Drawer#	SEC_Code	Description&Specification	Location	Service
#N/A	2007-000091	R-CHIP;12Kohm,5%,1/10W,TP,1608		SA
#N/A	2007-000094	R-CHIP;22Kohm,5%,1/10W,TP,1608		SA
#N/A	2007-000096	R-CHIP;30Kohm,5%,1/10W,TP,1608		SA
#N/A	2007-000097	R-CHIP;47Kohm,5%,1/10W,TP,1608		SA
#N/A	2007-000106	R-CHIP;220Kohm,5%,1/10W,TP,1608		SA
#N/A	2007-000113	R-CHIP;33ohm,5%,1/10W,TP,1608		SA
#N/A	2007-000116	R-CHIP;120ohm,5%,1/10W,TP,1608		SA
#N/A	2007-000123	R-CHIP;1.5Kohm,5%,1/10W,TP,1608		SA
#N/A	2007-000134	R-CHIP;33Kohm,5%,1/10W,TP,1608		SA
#N/A	2007-000403	R-CHIP;150ohm,5%,1/4W,TP,3216		SA
#N/A	2007-000472	R-CHIP;1Kohm,5%,1/4W,TP,3216		SA
#N/A	2007-000683	R-CHIP;3.3Kohm,1%,1/10W,TP,1608		SA
#N/A	2007-000729	R-CHIP;300ohm,5%,1/10W,TP,1608		SA
#N/A	2007-000965	R-CHIP;5.1Kohm,5%,1/10W,TP,1608		SA
#N/A	2007-001002	R-CHIP;510ohm,5%,1/10W,TP,1608		SA
#N/A	2007-001044	R-CHIP;56ohm,5%,1/10W,TP,1608		SNA
#N/A	2007-001073	R-CHIP;6.8Kohm,5%,1/4W,TP,3216		SA
#N/A	2007-007004	R-CHIP;12Kohm,1%,1/10W,TP,1608		SA
#N/A	2007-007445	R-CHIP;9.09Kohm,1%,1/10W,TP,1608		SA
#N/A	2007-007726	R-CHIP;35.7ohm,1%,1/10W,TP,1608		SA
#N/A	2011-001011	R-NET;10Kohm,5%,1/16W,L,CHIP,8P,TP,3.2x1		SNA
#N/A	2011-001094	R-NET;39OHM,5%,1/16W,L,CHIP,8P,TP		SA
#N/A	2011-001334	RC-NETWORK;1K/5.1K/39ohm,10%,150pF,-,6V,		SNA
#N/A	2203-000041	C-CER,CHIP;0.01nF,0.25pF,50V,C0G,1608		SA
#N/A	2203-000189	C-CER,CHIP;100nF,+80-20%,25V,Y5V,1608		SA
#N/A	2203-000206	C-CER,CHIP;100nF,10%,50V,X7R,2012		SA
#N/A	2203-000236	C-CER,CHIP;0.1nF,5%,50V,C0G,1608		SA
#N/A	2203-000257	C-CER,CHIP;10nF,10%,50V,X7R,1608		SA
#N/A	2203-000384	C-CER,CHIP;0.015nF,5%,50V,C0G,1608		SA
#N/A	2203-000440	C-CER,CHIP;1nF,10%,50V,X7R,1608		SA
#N/A	2203-000626	C-CER,CHIP;0.022nF,5%,50V,C0G,1608		SA
#N/A	2203-000681	C-CER,CHIP;0.027nF,5%,50V,C0G,1608		SA
#N/A	2203-000783	C-CER,CHIP;0.33nF,5%,50V,C0G,1608		SA
#N/A	2203-001607	C-CER,CHIP;0.22nF,5%,50V,NP0,1608		SA
#N/A	2203-001683	C-CER,CHIP;0.068nF,5%,50V,NP0,1608		SA
#N/A	2203-002392	C-CER,CHIP;220nF,+80-20%,50V,Y5V,2012		SA
#N/A	2203-002398	C-CER,CHIP;22nF,10%,50V,X7R,1608		SA
#N/A	2402-000176	C-AL,SMD;10uF,20%,16V,GP,TP,4.3x4.3x5.4		SA
#N/A	2402-001042	C-AL,SMD;100uF,20%,16V,GP,TP,6.6x6.6x5.4		SA
#N/A	2402-001106	C-AL,SMD;33UF,20%,50V,WT,TP,8.3X8.3X6.3M		SA
#N/A	2703-000158	INDUCTOR-SMD;1uH,10%,2012		SNA
#N/A	2901-001178	FILTER-EMI SMD;25V,2A,-,100000pF,2x1.25x		SA
#N/A	3301-000317	BEAD-SMD;120ohm,2012,TP,-,-		SNA
#N/A	3301-000325	BEAD-SMD;60ohm,3.2x2.5x1.3mm,400mA,TP,,,		SNA
#N/A	3404-000165	SWITCH-TACT;12V,50mA,160gf,6x6mm,SPST		SA
#N/A	3711-000988	HEADER-BOARD TO CABLE;BOX,5P,1R,2MM,ANGL		SA
#N/A	6103-001056	SUPPORTER;DASC-8N,L11,NATUAL,NYLON 6/6		SNA
#N/A	6902-000332	BAG CONDUCTIVE;PE+CARBON,T0.1,W250,L500,		SNA
#N/A	JC13-00014C	IC ASIC-SPGPM(3);SPGPM D,SCX-6320F,256PI		SA
#N/A	JC39-00184A	CBF HARNESS-ADF DET SEN.;SCX-5100,WIRE H	H1032	SA
#N/A	JC39-00353A	CBF HARNESS-FUSER 110V;SCX-4920N,CBF,UL3		SA
#N/A	JC39-00373A	CBF HARNESS-PTL;ML-2250,CBF,UL1061,2P,37	H1212	SA
#N/A	JC41-00170A	PCB-PANEL (1LAYER);ML-1510,FR-1,1,-,1.6T		SNA
#N/A	JC41-00235A	PCB-MAIN (4LAYER);ML-2250,FR-4,4,-,1.6T,		SNA
#N/A	JC41-00247A	PCB-SENSOR B'D;SCX-4920N,FR-1,1,-,1.6T,3		SNA
#N/A	JC61-00035A	SPRING ETC-HV APOLLO;SF-5100,SUS304WPB,0		SNA
#N/A	JC61-00596A	BRACKET-P-CLEAN;ML-1710,SECC,1.2,257,-,-		SNA
#N/A	JC61-00897A	FRAME-M-DEV LOWER R2;SCX-4920N,ABS,-,HB,		SNA

SA : SERVICE AVAILABLE SNA : SERVICE not AVAILABLE DNA : DELIVERY not AVAILABLE

Drawer#	SEC_Code	Description&Specification	Location	Service
#N/A	JC61-00912A	HOLDER-M-ACT MANUAL R2;SCX-4920N,ABS,-,3	H4020	SA
#N/A	JC61-00925A	HOUSING-M_PICK UP_MP;ML-2250,PC+ABS,-,20		SA
#N/A	JC62-00086A	SEAL-SIDE CAP;ML-1510,EPDM,-,-,-,HARDN		SNA
#N/A	JC62-00134A	SEAL-SUPPLY L_R2;SCX-4920N,PORON,-,5,30.		SNA
#N/A	JC62-00135A	SEAL-SUPPLY R_R2;SCX-4920N,PORON,-,5,30.		SNA
#N/A	JC62-00136A	SEAL-SIDE R2;SCX-4920N,URETHAN FOAM,-,3.		SNA
#N/A	JC62-00137A	SEAL-FRAME LOWER R2;SCX-4920N,URETHAN FO		SNA
#N/A	JC62-00138A	SEAL-BLADE R2;SCX-4920N,URETHAN FOAM,-,3		SNA
#N/A	JC62-00139A	SEAL-SUS BLADE R2;SCX-4920N,URETHAN FOAM		SNA
#N/A	JC62-00143A	SEAL-PROTECTION CARD;SCX-4920,POLYURETHA		SNA
#N/A	JC63-00381A	SHEET-FILM REAR;SCX-4920N,PET(SR50),0.08		SNA
#N/A	JC63-00437A	COVER-M-TOP H2;ML-2250,ABS,2.5,341.7,357	Z2235	SA
#N/A	JC63-00443A	SHIELD-P-ENGINE H2;ML-2250,SECC,0.8,338.		SNA
#N/A	JC66-00381A	GEAR-AGITATOR;ML-1710,POM,0.6,22,-,-,-,-	G0164	SA
#N/A	JC66-00384A	GEAR-DEVE ROLLER;ML-1710,CARILON,0.8,-,-	G0561	SA
#N/A	JC66-00386A	GEAR-OPC L;ML-1710,PC(LS-1250),0.8,30,-,	G0355	SA
#N/A	JC66-00395A	GEAR-TRANSFER;ML-1710,POM(M90-44),-,-,-,	G0448	SA
#N/A	JC66-00696A	GEAR-IDLE 28/17;SCX-4920N,POM,0.6,28/17,		SNA
#N/A	JC66-00697A	GEAR-IDLE 17/20;SCX-4920N,POM,0.8/0.6,17		SNA
#N/A	JC66-00698A	GEAR-SUPPLY ROLLER;SCX-4920N,500CL,0.6,2		SNA
#N/A	JC66-00699A	GEAR-IDLE 39/19;SCX-4920N,POM,0.6/0.5,37		SNA
#N/A	JC66-00700A	ROLLER-SUPPLY R2;SCX-4920N,SUS416+SILICO		SA
#N/A	JC66-00703A	ROLLER-TRANSFER R2;SCX-4920N,SUM24L+NBR,	T3013	SA
#N/A	JC66-00707A	ROLLER-DEVE R2;SCX-4920N,NBR+ECO,14.07,2		SNA
#N/A	JC66-00729A	ROLLER-HEAT;SCX-4720F,AL + PFA COAT,24.7	K2232	SA
#N/A	JC66-40930A	GEAR-AGITATOR;ML-1650,POM,-,AW-01,-,NTR,		SNA
#N/A	JC67-00028A	CAP-M-DEV L;ML-1710,ABS,2,-,-,-,19*24.7*		SNA
#N/A	JC67-00029A	CAP-M-DEV R;ML-1710,ABS,2,-,-,-,19*24.7*		SNA
#N/A	JC68-00274A	LABEL(R)-RIBBON;SF-5100,100,-,-,BLK,,,,		SNA
#N/A	JC68-00408A	LABEL(R)-LV FUSER;COMMON,PVC,-,110V,-,,,		SNA
#N/A	JC68-01296B	MANUAL-DEVE SHEET;COMMON,SEC,-,-,ART,240		SNA
#N/A	JC70-00050A	IPR-TERMINAL;SF-5100,SWRCH1018,-,-,-,-,8		SNA
#N/A	JC70-40910A	ICT-SHAFT GEAR;ML-5000,SUM24L;É4,-,-,-,S		SNA
#N/A	JC72-00082A	PMO-BUSHING AGI R;SF-5100,POM,BLK,-,-,-,		SNA
#N/A	JC72-00288A	PPR-SPACER DR;SF-5100,PET FILM, T0.1,-,-		SNA
#N/A	JC72-00288B	PPR-SPACER DR R;SF-5100,TEFRON,WHT,-,-,T		SNA
#N/A	JC72-01342A	SHEET ABS-FILM OPC R2;SCX-4920N,POLYESTE		SNA
#N/A	JC72-40232A	PMO-CAP AGITATOR;ML-80,PP,BLK,-,-		SA
#N/A	JC72-41051A	PMO-BUSHING RIGHT;ML-6000,POM(M90-44),BL		SA
#N/A	JC73-00055A	RPR-SEAL SPACE;SF-5100,URETHANE SPONGE ,		SNA
#N/A	JC73-00194A	RUBBER-PICK UP MP;SCX-4720F,EPDM + IR,-,	P2148	SA
#N/A	JC73-10914A	RPR-SEAL FILM;ML-5000,URETHANE FOAM,11X1		SNA
#N/A	JC74-00008A	MCT-FUR FOAM CR APO;SF-5100,FUR,T=10,-,-		SNA
#N/A	JC75-00043A	MEC-GEAR OPC R;SF-5100,SEC,-,-,BLK,-,-,-		SNA
#N/A	JC75-00044A	MEC-BUSHING AGI L;SF-5100,SEC,POM+SANTOP		SNA
#N/A	JC94-00889A	PHANTOM AU JC92-01621A		SNA
#N/A	JC97-01920A	MEA-CHARGE ROLLER;SCX-4920N,DELL,-,CHARG		SNA
#N/A	JC97-01921A	MEA-SUS BLADE;SCX-4920N,DELL,-,SUS BLADE		SNA
#N/A	JC97-01922A	MEA-PLATE DEVE L;SCX-4920N,DELL,-,PLATE		SNA
#N/A	JC97-01923A	MEA-PLATE DEVE R;SCX-4920N,DELL,-,PLATE		SNA
#N/A	JC97-01945A	MEA-AGITATOR;SCX-4920N,DELL,-,AGITATOR,-		SNA
#N/A	JC97-01946A	MEA-AGITATOR 2;SCX-4920N,DELL,-,AGITATOR		SNA
#N/A	JC41-00171C	PCB-PTL (1LAYER);SCX-4100,FR-1,1,-,1.6T,		SNA
#N/A	JC61-00025A	SPRING ETC-CS-CHARGE APOLLO;SF-5100,SUS	B2030	SNA
#N/A	JC61-00898A	PLATE-M-DEVE L_R2;SCX-4920,PC,2,130.5,42		SNA
#N/A	JC61-00899A	PLATE-M-DEVE R_R2;SCX-4920N,ABS,2,130.5,		SNA
#N/A	JC61-00900A	BRACKET-BLADE R2;SCX-4920N,SECC,1.2,6,26		SNA
#N/A	JC61-00901A	BLADE-SUS R2;SCX-4920N,SUS301 1/2H CSP,-		SNA

SA : SERVICE AVAILABLE SNA : SERVICE not AVAILABLE DNA : DELIVERY not AVAILABLE

Drawer#	SEC_Code	Description&Specification	Location	Service
#N/A	JC63-00382A	SHEET-FILM AGITATOR;SCX-4920N,PET,0.1,14		SNA
#N/A	JC63-00383A	SHEET-FILM AGITATOR2;SCX-4920N,PET,0.1,1		SNA
#N/A	JC66-00012A	GEAR-OPC R;SF-5100,POM(M90-44),BLK,M0.6,		SA
#N/A	JC66-00018A	GEAR-CHARGE ROLLER;SF-5100,POM(F20-03),M		SNA
#N/A	JC66-00702A	ROLLER-CHARGE R2;SCX-4920N,NBR+SBR,12.05		SNA
#N/A	JC70-00153A	IPR-ELECTRODE CHARGE;ML-4500,SUS301,-,8.		SNA
#N/A	JC70-00305A	ELECTRODE-P-SR;ML-1710,SUS301,T0.2,-,-,-		SNA
#N/A	JC70-50901A	IPR-IPM BUSHING DEV R;ML-5000,BRONZE,-,D		SNA
#N/A	JC71-00002A	NPR-EARTH OPC APOLLO;SF-5100,C5210P-H,0.		SNA
#N/A	JC72-00081A	PMO-BUSHING AGI L;SF-5100,POM,BLK,-,-,-		SNA
#N/A	JC72-00083A	PMO-HOLDER CR;SF-5100,POM(CH-15),BLK,-,-		SNA
#N/A	JC72-01321A	PMO-AGITATOR 1;SCX-4920N,ABS,BLK,L219,-,		SNA
#N/A	JC72-01322A	PMO-AGITATOR 2;SCX-4920N,ABS,BLK,249.3*3		SNA
#N/A	JC72-10925A	PPR-FILM SUPPORT AGI;ML-5000,PET T0.3,NT		SNA
#N/A	JC72-40332A	PMO-BUSHING CHARGE;ML-80,POM,BLK,HB,-		SNA
#N/A	JC72-41105A	PMO-BUSHING DEV;ML-5000,POM,NTR,-,-,-,-		SNA
#N/A	JC73-40906A	RMO-SEAL AGITATOR;ML-5000,SANTOPRENE,-,-		SNA