



Parts Catalog - ML-551x/651x Series



1. Speed

- ML-551x series : 55 ppm in Letter
- ML-651x series : 65 ppm in Letter

2. Printing Resolution

- Max. 1200x1200 dpi effective output

3. Processor

- SPGPV4 700 Mhz
- CHORUS4 600 Mhz (Blue-Angel Model)

4. Printer Language Emulations

- PCL, PS3

5. Memory

- 256 MB default
- 256 MB / 512 MB (Optional Memory)

6. Interfaces

- One USB port, Two USB Host Port
- 1 GB Ethernet
- One IEEE 802.11 b,g,n wireless LAN (Optional)

7. Various optional units

- Finisher, Mailbox, SCF, HCF, HDD etc.

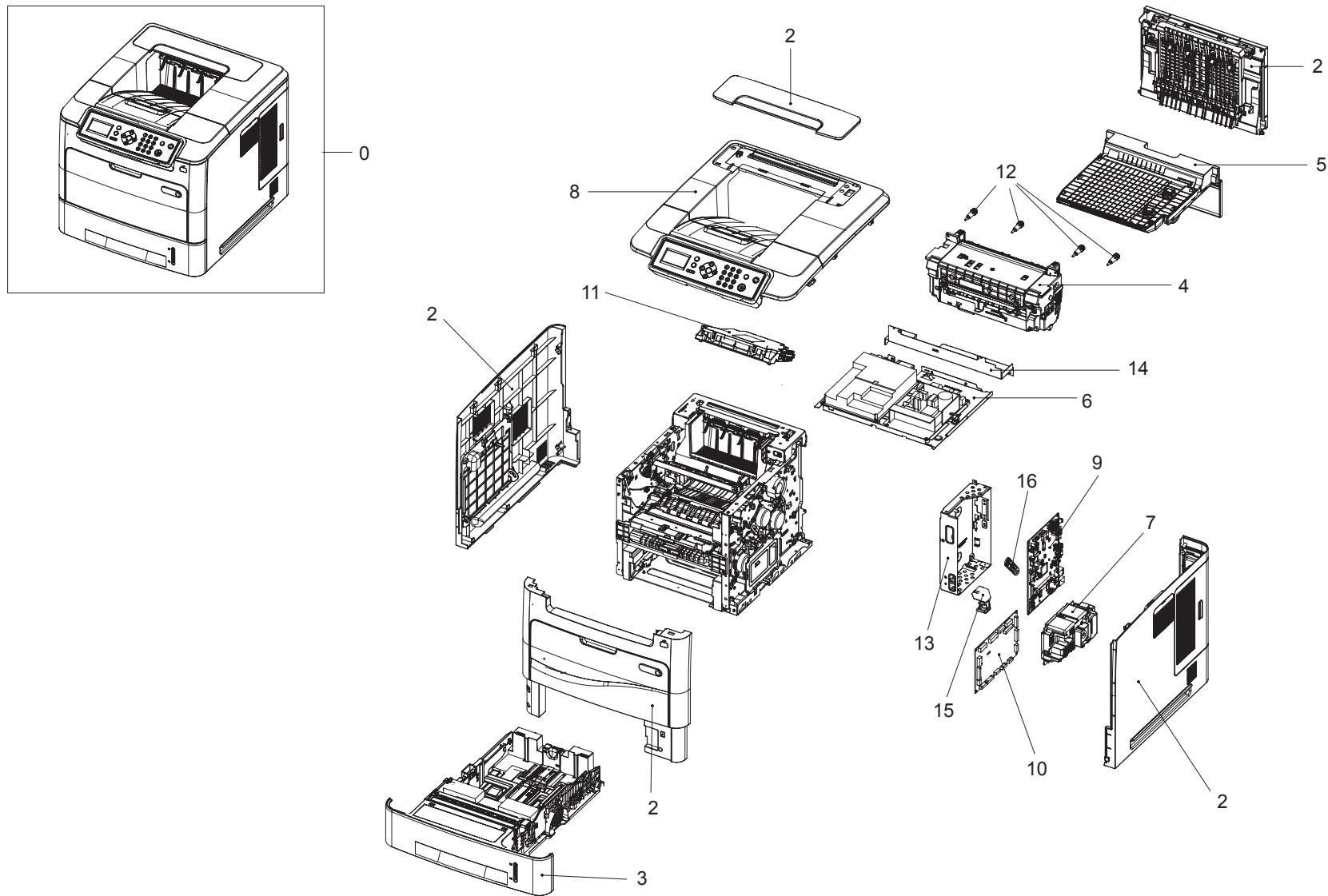
**This Parts Catalog is a property of Samsung Electronics Co.,Ltd.
Any unauthorized use of this manual can be punished under
applicable International and/or domestic law.**

Exploded View and Parts List

Contents

0. Main	4
1. COVER	6
1.1. COVER-REAR.....	8
2. COVER-TOP	10
3. DUPLEX	12
4. FUSER	14
5. FRAME	16
5.1. FRAME MAIN	18
5.1.1. EXIT	20
5.1.2. MP	22
5.1.3. DRIVE FUSER & DRIVE FEED	24
5.1.4. DRIVE MAIN	26
5.1.5. FRAME BASE.....	28
5.1.5.1. FRAME-PICK UP	30
5.1.5.2. FRAME MIDDLE	32
6. CASSETTE	34
7. FRAME POWER SUPPLY & FRAME BOARD FUSER DRIVE	38
8. SCF	40
9. HCF	44
10. Finisher	58
11. Main Box	72

0. Main



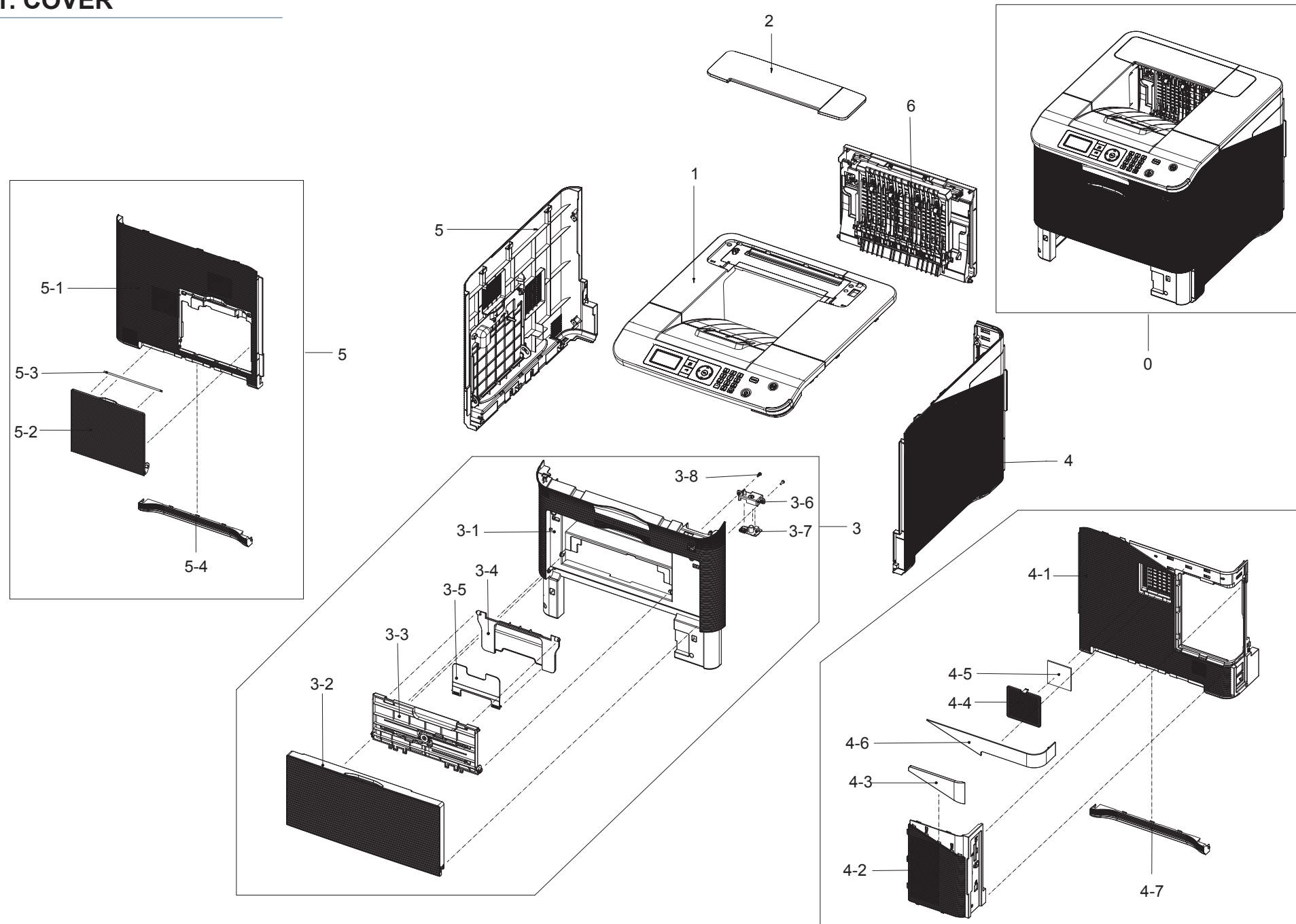
Main Parts List

SA : SERVICE AVAILABLE, SNA : SERVICE not AVAILABLE

Drawer#	SEC_Code	Description	QT'y	Service	Remark
1	JC93-00241B	FRAME	1	SNA	
2	JC95-01294A	COVER	1	SNA	Refer to 1. COVER
3	JC90-01057A	CASSETTE	1	SA	Wave Type
3	JC90-01026A	CASSETTE	1	SA	Flat Type
4	JC91-01014A	FUSER	1	SA	110V
4	JC91-01014B	FUSER	1	SA	220V
5	JC90-01018B	DUPLEX	1	SA	
6	JC93-00270A	FRAME-POWER SUPPLY	1	SNA	110V
6	JC93-00270B	FRAME-POWER SUPPLY	1	SNA	220V
7	JC93-00277A	FRAME-BOARD FUSER DRIVE	1	SNA	110V
7	JC93-00277B	FRAME-BOARD FUSER DRIVE	1	SNA	220V
8	JC95-01297A	COVER-TOP	1	SNA	6510ND
8	JC95-01297B	COVER-TOP	1	SNA	5510ND
8	JC95-01297C	COVER-TOP	1	SNA	5510N
8	JC95-01297D	COVER-TOP	1	SNA	6512ND
8	JC95-01297E	COVER-TOP	1	SNA	5512ND

Drawer#	SEC_Code	Description	QT'y	Service	Remark
9	JC92-02280B	PBA-MAIN	1	SA	651x series
9	JC92-02280A	PBA-MAIN	1	SA	551x series
9	JC92-02590B	PBA-MAIN	1	SA	651x series (Blue-Angel model)
9	JC92-02590A	PBA-MAIN	1	SA	551x series (Blue-Angel model)
10	JC92-02281A	PBA-ENGINE	1	SA	
10	JC92-02591A	PBA-ENGINE	1	SA	Blue-Angel model
11	JC97-03777A	LSU	1	SA	651x series
11	JC97-03787A	LSU	1	SA	551x series
12	JC64-00186C	HANDLE-M_FIX FUSER	4	SA	
13	JC63-02643A	SHIELD-MAIN_CTRL	1	SNA	
14	JC61-03811A	BRACKET-BOTTOM_FUSER	1	SA	
15	JC61-03845A	HOLDER-HARNESS_DRIVE	1	SA	
16	JC66-02628A	LEVER-COUPLER	1	SA	

1. COVER



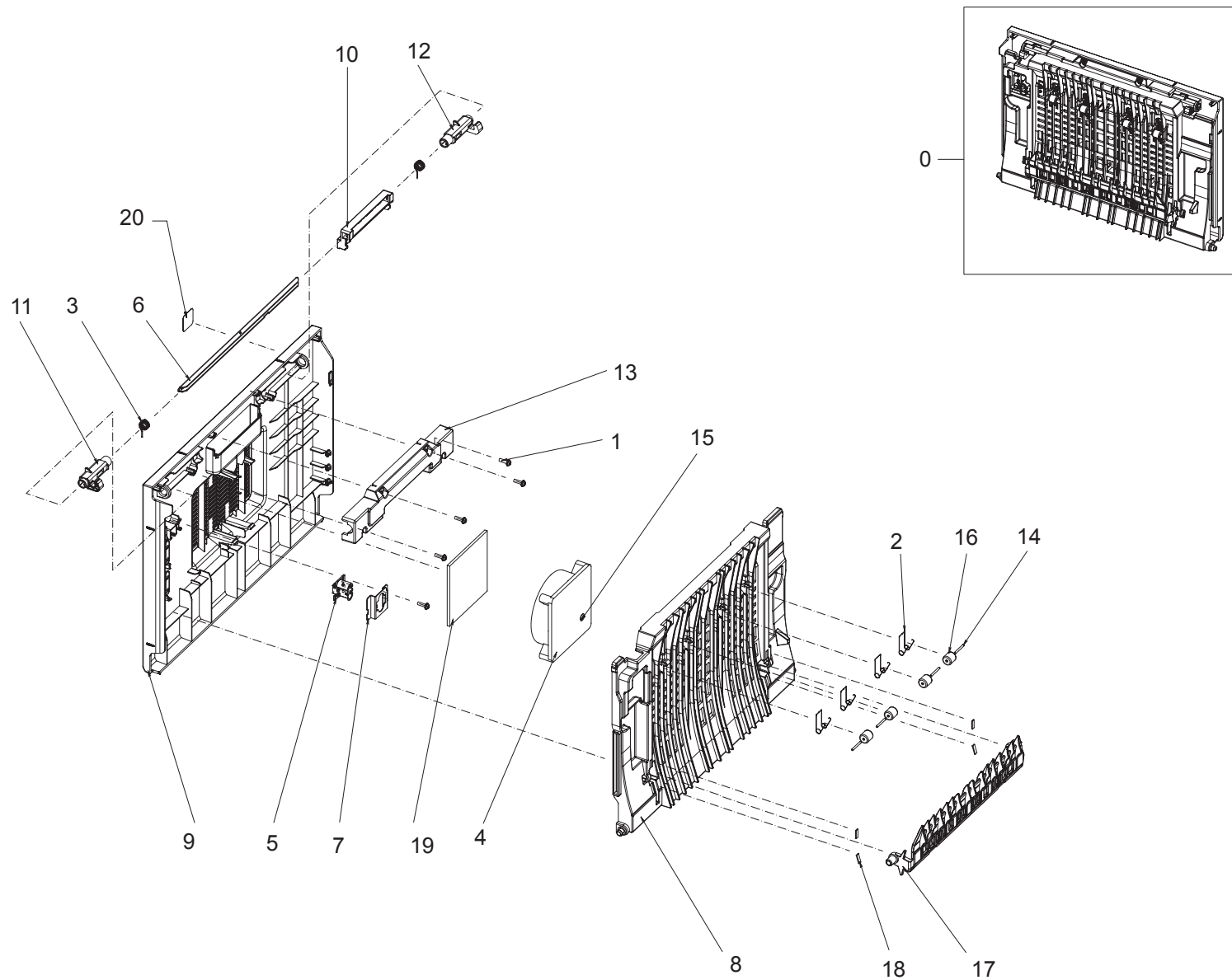
COVER Parts List

SA : SERVICE AVAILABLE, SNA : SERVICE not AVAILABLE

Drawer#	SEC_Code	Description	QT'y	Service	Remark
0	JC95-01294A	COVER	1	SNA	Wave Type
0	JC95-01331A	COVER	1	SNA	Flat type
1	JC95-01297A	COVER-TOP	1	SNA	Refer to 2
2	JC95-01322A	COVER-OPTION	1	SA	
3	JC95-01296A	COVER-FRONT	1	SA	Wave Type
3	JC95-01328A	COVER-FRONT	1	SA	Flat type
3-1	JC63-02853A	COVER-FRONT	1	SNA	Wave Type
3-1	JC63-03060A	COVER-FRONT	1	SNA	Flat type
3-2	JC63-02859A	COVER-MP	1	SNA	Wave Type
3-2	JC63-03063A	COVER-MP	1	SNA	Flat type
3-3	JC90-01016B	MP-TRAY	1	SA	
3-4	JC63-02096C	TRAY-EXTENSION_MP	1	SA	
3-5	JC61-02804C	STACKER-MP	1	SNA	
3-6	JC61-03912A	HOLDER-USB_HOST	1	SNA	
3-7	JC92-02284A	PBA-USB HOST	1	SA	
3-8	6003-000196	SCREW-TAPTYPE	4	SA	
4	JC95-01298A	COVER-RIGHT	1	SA	Wave Type
4	JC95-01329A	COVER-RIGHT	1	SA	Flat type

Drawer#	SEC_Code	Description	QT'y	Service	Remark
4-1	JC63-02862A	COVER-RIGHT	1	SNA	Wave Type
4-1	JC63-03064A	COVER-RIGHT	1	SNA	Flat type
4-2	JC63-02851A	COVER-CONTROL_BOX	1	SNA	
4-3	JC63-02852A	COVER-CONTROL_BOX DUMMY	1	SNA	
4-4	JC63-02857A	COVER-RIGHT_FAN	1	SNA	
4-5	JC62-00759A	SEAL-FILTER RIGHT	1	SA	
4-6	JC63-02863A	COVER-RIGHT_DUMMY	1	SNA	
4-7	JC63-02864A	COVER-HANDLE	1	SNA	Wave Type
4-7	JC63-03061A	COVER-HANDLE	1	SNA	Flat type
5	JC95-01299A	COVER-LEFT	1	SA	Wave Type
5	JC95-01330A	COVER-LEFT	1	SA	Flat type
5-1	JC63-02865A	COVER-LEFT	1	SNA	Wave Type
5-1	JC63-03062A	COVER-LEFT	1	SNA	Flat type
5-2	JC63-02858A	COVER-WTB	1	SNA	
5-3	JC66-00661A	SHAFT-EXIT IDLE	1	SNA	
5-4	JC63-02864A	COVER-HANDLE	1	SNA	
6	JC95-01295A	COVER-REAR	1	SA	Refer to 1.1

1.1 COVER-REAR



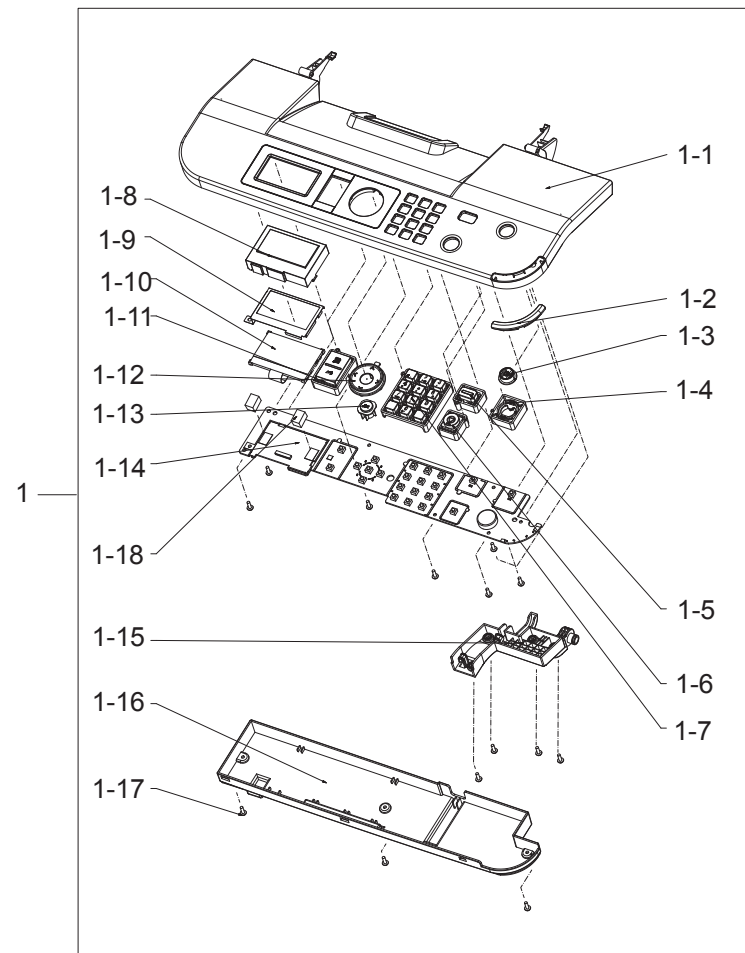
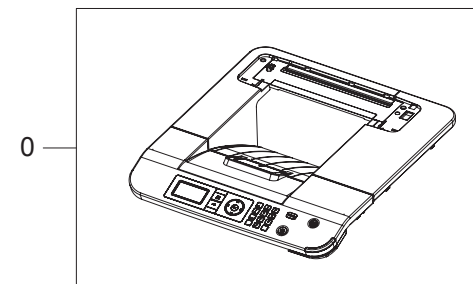
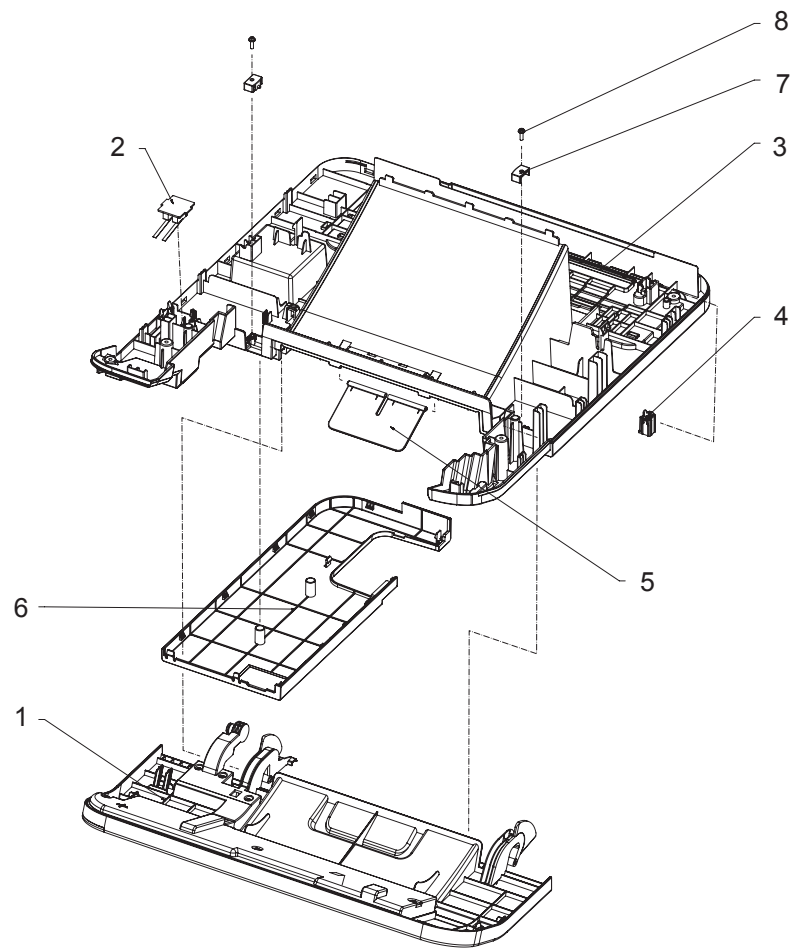
COVER-REAR Parts List

SA : SERVICE AVAILABLE, SNA : SERVICE not AVAILABLE

Drawer#	SEC_Code	Description	QT'y	Service	Remark
0	JC95-01295A	COVER-REAR	1	SA	
1	6003-000196	SCREW-TAPTYPE	5	SA	
2	6107-001160	SPRING-TS	4	SA	
3	6107-001268	SPRING-TS	2	SA	
4	JC31-00141A	FAN	1	SA	
5	JC39-00993A	HARNES-REAR_JOINT_FN	1	SNA	
6	JC61-01404A	BRACKET-P-HANDLE SCF	1	SNA	
7	JC61-02622A	BRACKET-FEMALE	1	SNA	
8	JC61-03910A	GUIDE-REAR	1	SA	
9	JC63-02676B	COVER-REAR	1	SA	
10	JC64-00420C	HANDLE-REAR COVER	1	SA	

Drawer#	SEC_Code	Description	QT'y	Service	Remark
11	JC64-00547A	LOCKER-REAR L	1	SA	
12	JC64-00548A	LOCKER-REAR R	1	SA	
13	JC61-03909B	HOLDER-LOCKER	1	SNA	
14	JC70-20901A	SHAFT	4	SNA	
15	JC68-01760A	LABEL-INFORMATION	1	SNA	
16	JC72-20902A	ROLLER	4	SA	
17	JC61-03911A	GUIDE-EXIT	1	SA	
18	JC66-00738A	DAMPER-PAD ADF_R2	4	SNA	
19	JC62-00753A	SEAL-FILTER REAR	1	SA	
20	JC68-02563A	LABEL-FUNCTION	1	SNA	

2. COVER-TOP



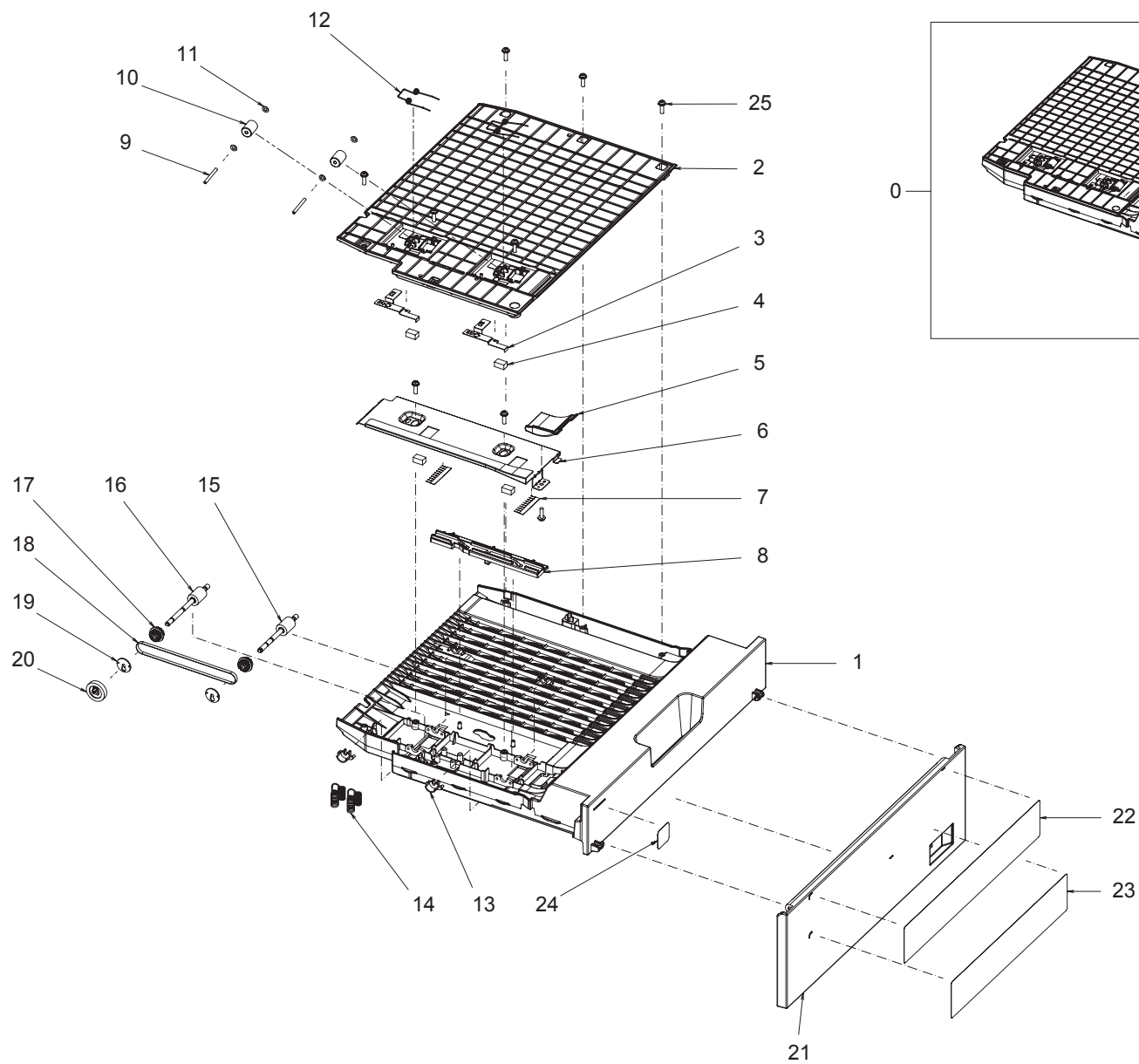
COVER-TOP Parts List

SA : SERVICE AVAILABLE, SNA : SERVICE not AVAILABLE

Drawer#	SEC_Code	Description	QT'y	Service	Remark
0	JC95-01297A	COVER-TOP	1	SNA	6510ND
0	JC95-01297B	COVER-TOP	1	SNA	5510ND
0	JC95-01297C	COVER-TOP	1	SNA	5510N
0	JC95-01297D	COVER-TOP	1	SNA	6512ND
0	JC95-01297E	COVER-TOP	1	SNA	5512ND
1	JC97-03868A	OPE	1	SA	6510ND
1	JC97-03868B	OPE	1	SA	5510ND
1	JC97-03868C	OPE	1	SA	5510N
1	JC97-03868D	OPE	1	SA	6512ND
1	JC97-03868E	OPE	1	SA	5512ND
1-1	JC63-02866A	COVER-OPE	1	SA	6510ND
1-1	JC63-02866B	COVER-OPE	1	SA	5510ND
1-1	JC63-02866C	COVER-OPE	1	SA	5510N
1-1	JC63-02866D	COVER-OPE	1	SA	6512ND
1-1	JC63-02866E	COVER-OPE	1	SA	5512ND
1-2	JC67-00495A	LENS-STATUS	1	SNA	
1-3	JB64-00114E	KEY-POWER	1	SA	
1-4	JC64-00443A	KEY-POWER_B	1	SNA	
1-5	JC64-00600A	KEY-ECO	1	SNA	
1-6	JC64-00564B	KEY-STOP	1	SA	

Drawer#	SEC_Code	Description	QT'y	Service	Remark
1-7	JC64-00599A	KEY-NUMERICAL	1	SNA	
1-8	JC61-02792A	HOLDER-LCD	1	SNA	
1-9	JC63-02697A	GROUND-LCD	1	SNA	
1-10	JC07-00012A	LCD	1	SA	
1-11	JC64-00598A	KEY-MENU	1	SNA	
1-12	JC64-00601A	KEY-CIRCLE	1	SNA	
1-13	JC64-00566B	KEY-OK	1	SA	
1-14	JC92-02285A	PBA-OPE	1	SA	
1-15	JC63-02868A	COVER-OPE_HARNESS	1	SA	
1-16	JC63-02867A	COVER-OPE_LOWER	1	SA	
1-17	6003-000196	SCREW-TAPTYPE	14	SA	
1-18	JC72-01529A	SPONGE-LCD	2	SNA	
1-19	JC39-01400A	HARNESS-PANEL	1	SA	
2	JC92-02057A	PBA-COVER_OPEN SENSOR	1	SA	
3	JC63-02860A	COVER-TOP	1	SA	
4	JC66-01966A	LEVER-EXPANDER	1	SA	
5	JC72-01367E	PMO-STACKER_RX	1	SA	
6	JC63-02861A	COVER-TOP_DUMMY	1	SA	
7	JC61-00656A	STOPPER-M-HINGE OPEN	2	SA	
8	6003-000196	SCREW-TAPTYPE	2	SA	

3. DUPLEX



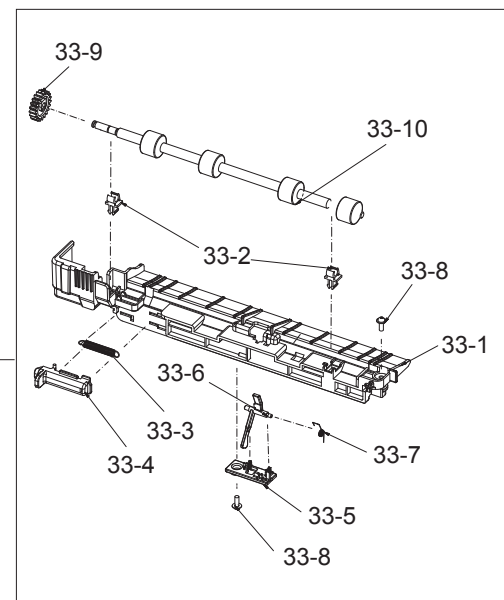
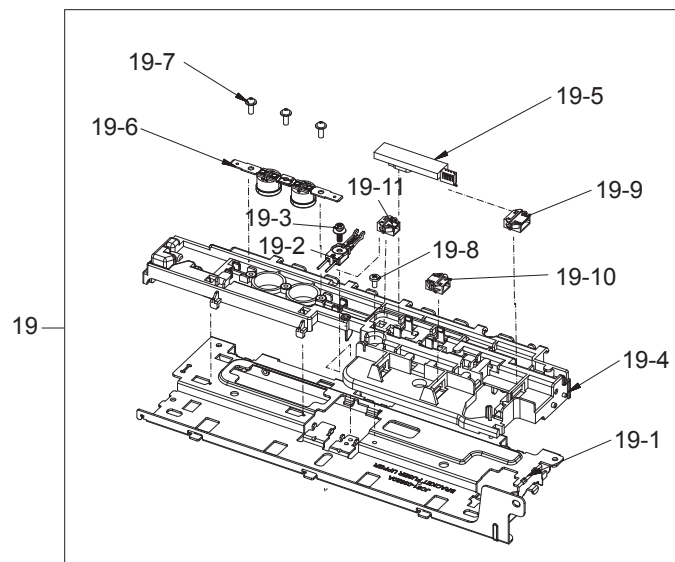
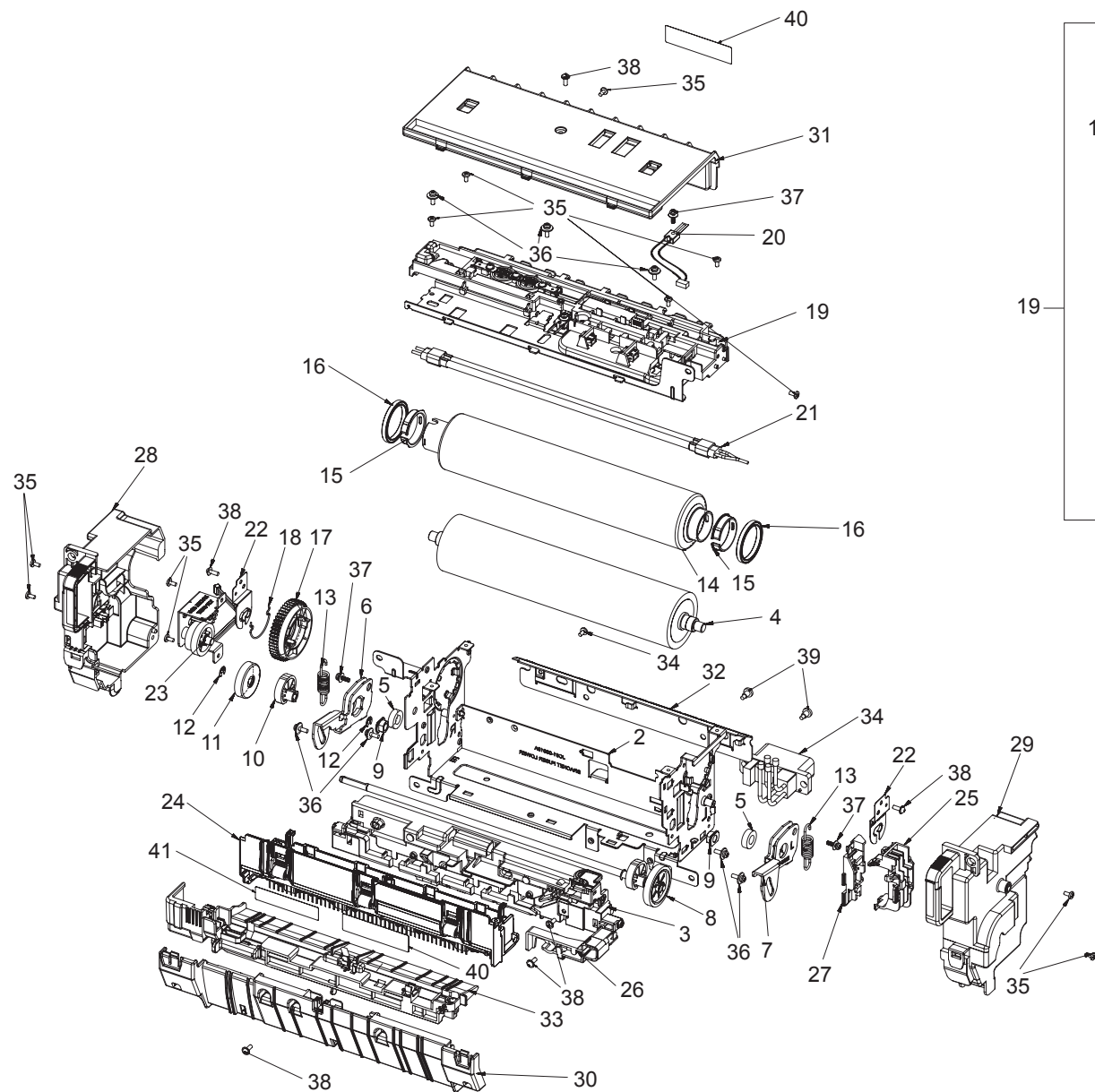
DUPLEX Parts List

SA : SERVICE AVAILABLE, SNA : SERVICE not AVAILABLE

Drawer#	SEC_Code	Description	QT'y	Service	Remark
0	JC90-01018B	DUPLEX	1	SA	
1	JC61-03842B	FRAME-DUPLEX_LOWER	1	SNA	
2	JC61-03844A	FRAME-DUPLEX_UPPER	1	SNA	
3	JC63-02656A	GROUND-DUPLEX_GASKET	2	SNA	
4	JC63-02189A	GASKET-CONDUCTIVE	4	SNA	
5	JC61-04153A	GUIDE-PAPER_DUPLEX	1	SNA	
6	JC61-04154A	GUIDE-DUPLEX_ALIGN	1	SNA	
7	JC67-00205A	BRUSH-DUPLEX	2	SNA	
8	JC66-02837A	LEVER-ALIGN_DUPLEX	1	SNA	
9	JC66-00444A	SHAFT-IDLE ROLL, DUP	2	SNA	
10	JC66-02816A	ROLLER-IDLE_DUPLEX	2	SNA	
11	JK72-00058A	PCT	4	SNA	
12	6107-001667	SPRING-TS	2	SA	
13	JC61-00665A	BUSH-M-FEED, DUP	4	SA	

Drawer#	SEC_Code	Description	QT'y	Service	Remark
14	JC65-00017A	TERMINAL-P-GND DUP	2	SNA	
15	JC90-01051A	DUPLEX FEEDER-LOWER	1	SNA	
16	JC90-01052A	DUPLEX FEEDER-LOWER	1	SNA	
17	JC66-00899A	PULLEY-18_DUP	2	SNA	
18	6602-001084	BELT-TIMING GEAR	1	SA	
19	JC66-00900A	PULLEY-M-18-DUMMY_DUP	2	SNA	
20	JC66-00038A	GEAR-EXIT F/DOWN	1	SNA	
21	JC63-01942C	COVER-CASSETTE	1	SA	
22	JC68-02479A	LABEL-INFORMATION	1	SNA	
23	JC68-02480A	LABEL-PTT	1	SNA	
24	JC68-02564A	LABEL-FUNCTION	1	SNA	
25	6003-000196	SCREW-TAPTYPE	9	SA	

4. FUSER



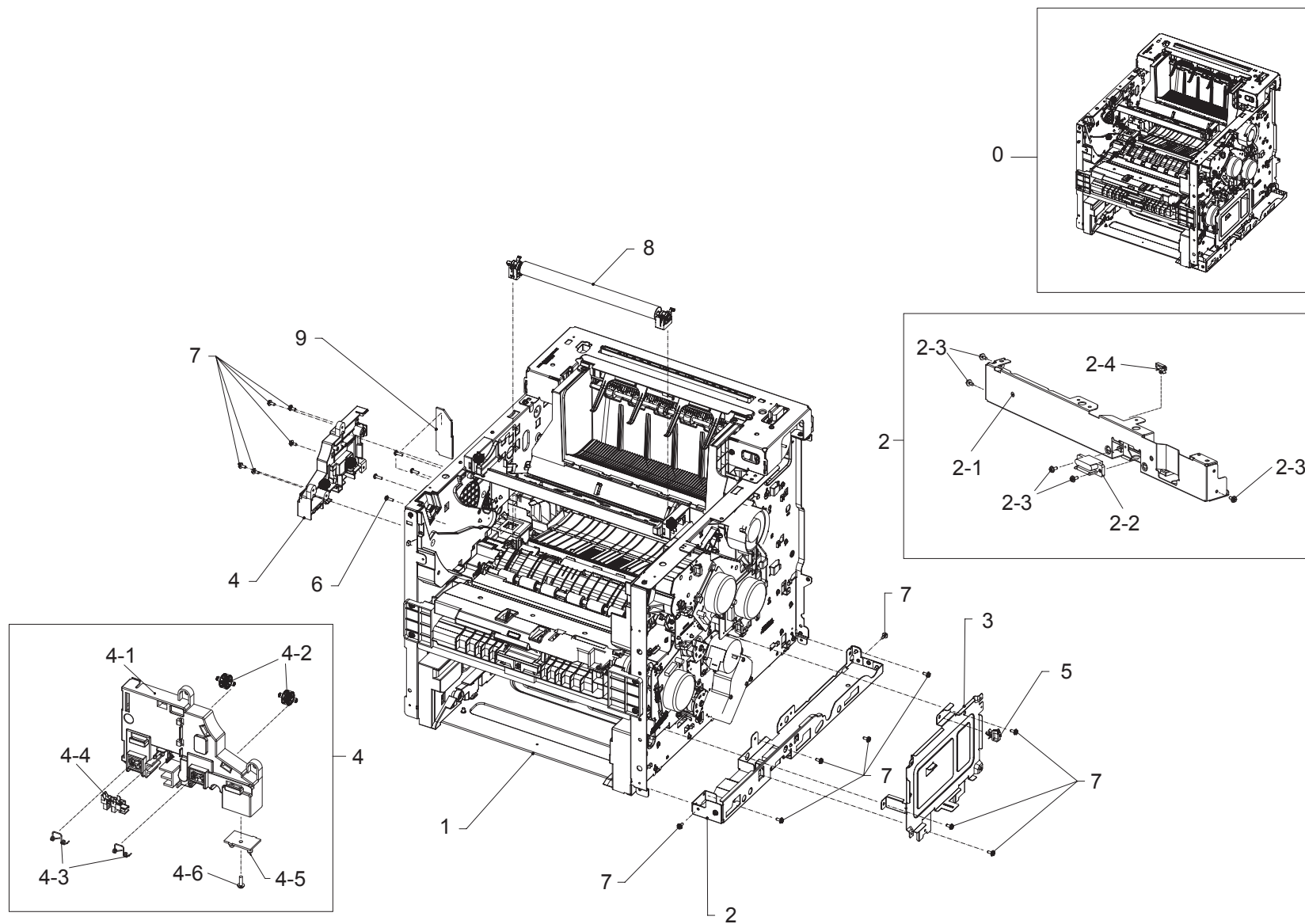
FUSER Parts List

SA : SERVICE AVAILABLE, SNA : SERVICE not AVAILABLE

Drawer#	SEC_Code	Description	QT'y	Service	Remark
0	JC91-01104A	FUSER	1	SA	110V
0	JC91-01105A	FUSER	1	SA	220V
2	JC91-01020A	FUSER-BRACKET LOWER	1	SNA	
3	JC91-00994A	FUSER-ROLLER CLEAN	1	SA	
4	JC66-02718A	ROLLER-PRESSURE	1	SA	
5	6601-001341	BEARING-BALL	2	SA	
6	JC61-03826A	BRACKET-PR-R	1	SNA	
7	JC61-03829A	BRACKET-PR_L	1	SNA	
8	JC91-01015A	FUSER-CAM SHAFT	1	SNA	
9	JC61-00423A	BUSH-6_D	2	SA	
10	JC66-02619A	CAM-RELEASE-L	1	SNA	
11	JC61-03859A	HOLDER-SHAFT_ENCORD	1	SNA	
12	6044-000125	RING-E	2	SA	
13	6107-002624	SPRING-ES	2	SA	
14	JC66-02727A	ROLLER-HEAT	1	SA	
15	JC61-03883A	BUSH-HR	2	SNA	
16	6601-001726	BEARING-BALL	2	SA	
17	JC66-02615A	GEAR-FUSER	1	SA	
18	6107-002620	SPRING-ETC	1	SNA	
19	JC91-00998A	FUSER-BRACKET UPPER	1	SA	
19-1	JC61-03820A	BRACKET-FUSER_UPPER	1	SNA	
19-2	1404-001565	THERMISTOR-NTC ASS'Y	1	SA	
19-3	6006-001193	SCREW-MACHINE	1	SNA	
19-4	JC61-03860A	HOLDER-THERMOSTAT	1	SNA	
19-5	1404-001453	THERMISTOR-NTC ASS'Y	1	SA	
19-6	4712-001085	THERMOSTAT	1	SA	
19-7	6002-000440	SCREW-TAPPING	3	SNA	
19-8	6003-000269	SCREW-TAPTYPE	1	SA	
19-9	3711-006699	CONNECTOR-HEADER	1	SNA	
19-10	3711-007521	CONNECTOR-HEADER	1	SA	
19-11	3711-007520	CONNECTOR-HEADER	1	SA	
20	1404-001567	THERMISTOR-NTC ASS'Y	1	SA	

Drawer#	SEC_Code	Description	QT'y	Service	Remark
21	4713-001521	LAMP-HALOGEN	1	SA	110V
21	4713-001522	LAMP-HALOGEN	1	SA	220V
22	JC61-03836A	BRACKET-LAMP_R	2	SNA	
23	JC91-00995A	FUSER-BRACKET GEAR	1	SA	
24	JC91-01032A	FUSER-GUIDE EXIT UPPER	1	SA	
25	JC61-03855A	HOLDER-HARNESS_AC	1	SNA	
26	JC61-03856A	HOLDER-HARNESS_AC_SUB	1	SNA	
27	JC61-03857A	HOLDER-HARNESS_DC	1	SNA	
28	JC91-00999A	FUSER-COVER RIGHT	1	SNA	
29	JC91-01021A	FUSER-COVER LEFT	1	SNA	
30	JC91-01001A	FUSER-COVER DUPLEX	1	SNA	
31	JC63-02651A	COVER-UPPER	1	SNA	
32	JC61-03920A	GUIDE-INPUT	1	SNA	
33	JC91-00997A	FUSER-GUIDE EXIT LOWER	1	SA	
33-1	JC61-03921A	GUIDE-EXIT_LOWER	1	SNA	
33-2	JC72-00382B	PMO-BUSHING FEED	2	SA	
33-3	6107-001237	SPRING-ES	1	SA	
33-4	JC61-01625A	HOLDER-M_REAR_LEVER	1	SNA	
33-5	JC61-03851A	HOLDER-ACTUATOR	1	SNA	
33-6	JC66-02625A	ACTUATOR-EXIT	1	SNA	
33-7	6107-002670	SPRING-ETC	1	SNA	
33-8	6002-000440	SCREW-TAPPING	2	SNA	
33-9	JC91-01022A	FUSER-ROLLER EXIT	1	SNA	
33-10	JC66-02757A	GEAR-EXIT-Z21	1	SA	
34	JC39-01394A	HARNESS-FUSER_FU	1	SA	
35	6003-000269	SCREW-TAPTYPE	13	SA	
36	6006-001078	SCREW-TAPTYPE	7	SA	
37	6006-001193	SCREW-MACHINE	3	SNA	
38	6002-000440	SCREW-TAPPING	6	SNA	
39	6009-001711	SCREW-SPECIAL	2	SNA	
40	JC68-01581C	LABEL-CAUTION	2	SNA	
41	JF68-10532B	LABEL(P)-BAR CODE	1	SNA	

5. FRAME



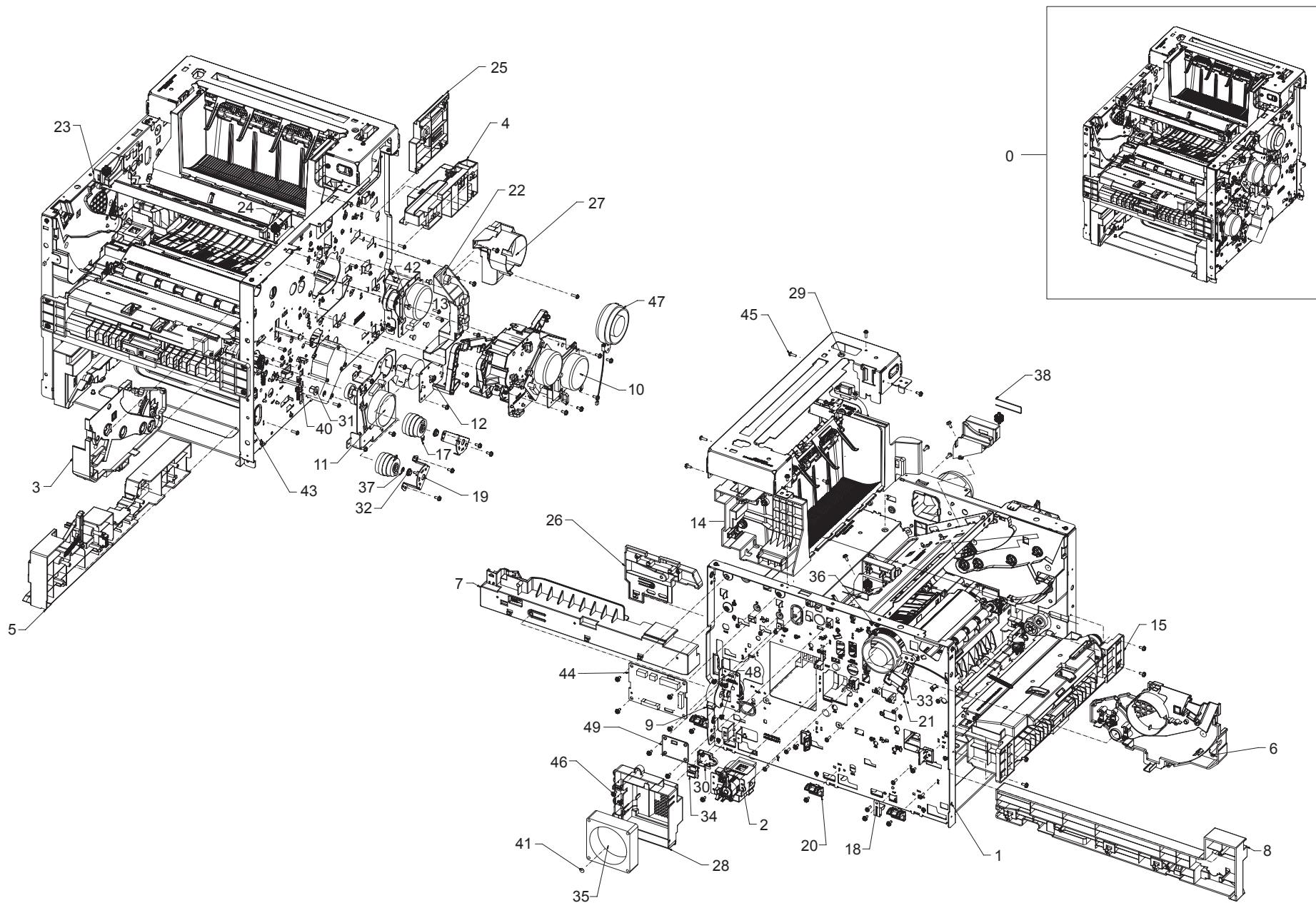
FRAME Parts List

SA : SERVICE AVAILABLE, SNA : SERVICE not AVAILABLE

Drawer#	SEC_Code	Description	QT'y	Service	Remark
0	JC93-00241B	FRAME	1	SNA	
1	JC93-00273B	FRAME MAIN	1	SNA	Refer to 5.1
2	JC93-00276A	FRAME-RIGHT LOWER	1	SNA	
2-1	JC61-03817A	BRACKET-RIGHT_LOWER	1	SNA	
2-2	JC39-01375A	HARNESS-SCF	1	SA	
2-3	6009-001664	SCREW-HEX	5	SNA	
2-4	6502-001130	CABLE CLAMP	1	SA	
3	JC61-03818A	BRACKET-ENGINE_CONTROLLER	1	SNA	
4	JC93-00247A	FRAME-TERMINAL	1	SNA	
4-1	JC61-03907A	HOUSING-TERMINAL	1	SNA	

Drawer#	SEC_Code	Description	QT'y	Service	Remark
4-2	JC66-01143A	ROLLER-SLIDE B	2	SNA	
4-3	6107-002693	SPRING-TS	2	SNA	
4-4	0604-001325	PHOTO-INTERRUPTER	1	SA	
4-5	JC92-02340A	PBA-WASTE SENSOR TX	1	SA	
4-6	6003-000196	SCREW-TAPTYPE	1	SA	
5	6502-001132	SADDLE	1	SA	
6	6003-000196	SCREW-TAPTYPE	4	SA	
7	6009-001664	SCREW-HEX	14	SNA	
8	JC93-00271B	FRAME-ROLLER TRANSFER	1	SA	
9	JC72-01587A	SPONGE-SMPS	1	SNA	

5.1. FRAME MAIN



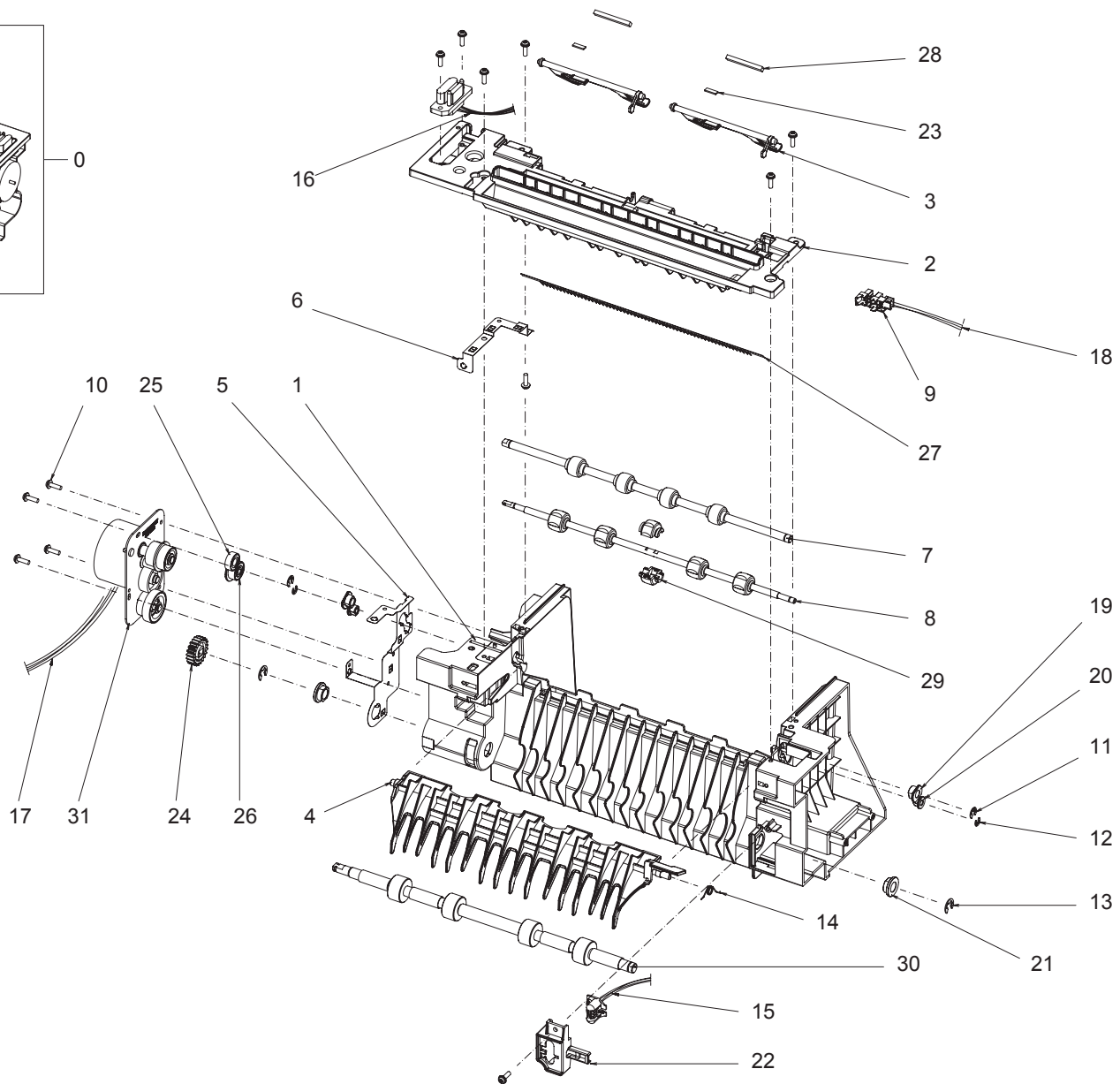
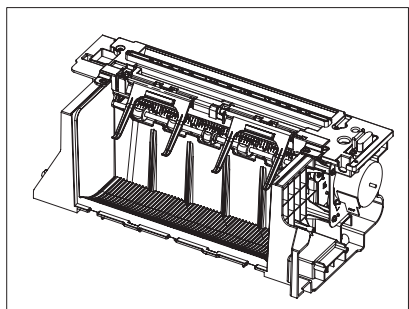
FRAME MAIN Parts List

SA : SERVICE AVAILABLE, SNA : SERVICE not AVAILABLE

Drawer#	SEC_Code	Description	QT'y	Service	Remark
0	JC93-00273B	FRAME MAIN	1	SNA	
1	JC93-00272A	FRAME BASE	1	SNA	Refer to 5.1.5
2	JC93-00269A	FRAME-DUCT WASTE TONER	1	SA	
3	JC93-00252A	FRAME-GUIDE OPC RIGHT	1	SNA	
4	JC93-00251A	FRAME-GUIDE DUPLEX RIGHT	1	SNA	
5	JC93-00250A	FRAME-GUIDE CASSETTE RIGHT	1	SNA	
6	JC93-00246A	FRAME-GUIDE OPC LEFT	1	SNA	
7	JC93-00244A	FRAME-GUIDE DUPLEX LEFT	1	SNA	
8	JC93-00243A	FRAME-GUIDE CASSETTE LEFT	1	SNA	
9	JC93-00232A	DRIVE FUSER-RELEASE	1	SA	
10	JC93-00230A	DRIVE MAIN	1	SA	Refer to 5.1.4
11	JC93-00229A	DRIVE-FEED	1	SA	Refer to 5.1.3
12	JC93-00228A	DRIVE-DUPLEX	1	SA	
13	JC93-00226A	DRIVE FUSER	1	SA	Refer to 5.1.3
14	JC90-01013B	EXIT	1	SA	Refer to 5.1.1
15	JC90-01020A	MP	1	SA	Refer to 5.1.2
16	JC66-01143A	ROLLER-SLIDE B	2	SNA	
17	JC66-00994C	CLUTCH-SPUR	2	SA	
18	JC63-02737A	GROUND-HCF	1	SNA	
19	JC61-03991A	BRACKET-CLUTCH	2	SNA	
20	JC61-03941A	ROLLER	5	SNA	
21	JC61-03905A	HOLDER-CONNECTOR_TONER	1	SA	
22	JC61-03879A	GUIDE-HARNESS_FRAME	1	SA	

Drawer#	SEC_Code	Description	QT'y	Service	Remark
23	JC61-03877A	GUIDE-COVER_OPEN_L	1	SNA	
24	JC61-03876A	GUIDE-COVER_OPEN_R	1	SNA	
25	JC61-03873A	GUIDE-FUSER_SIDE_R	1	SNA	
26	JC61-03869A	GUIDE-FUSER_SIDE_L	1	SNA	
27	JC61-03840A	HOLDER-FAN_LSU	1	SA	
28	JC61-03835A	HOLDER-FAN_SMPS	1	SA	
29	JC61-03815A	BRACKET-SUPPORT_REAR	1	SNA	
30	JC61-03217A	HOLDER-SENSOR HUMIDITY	1	SNA	
31	JC61-00884A	BUSH-6_D(L)	1	SA	
32	JC61-00699A	BUSH-D6/L4	2	SA	
34	JC32-00005A	SENSOR-HUMIDITY	1	SA	
35	JC31-00141A	FAN	1	SA	
36	6502-001130	CABLE CLAMP	7	SA	
37	6044-000125	RING-E	4	SA	
38	6107-002660	SPRING-TS	2	SNA	
39	6107-001155	SPRING-ES	1	SA	
40	6107-001259	SPRING-ES	1	SA	
41	JC68-01760A	LABEL-INFORMATION	1	SNA	
42	6003-000301	SCREW-TAPTYPE	4	SA	
43	6502-001132	SADDLE	1	SA	
44	JC92-02282A	PBA-JOINT	1	SA	
45	6003-000196	SCREW-TAPTYPE	36	SA	
46	6009-001664	SCREW-HEX	49	SNA	
47	JC31-00086A	FAN-DC	1	SA	
48	6009-001665	SCREW-HEX	3	SA	
49	JC92-02376A	PBA-ZENER	1	SA	

5.1.1. EXIT



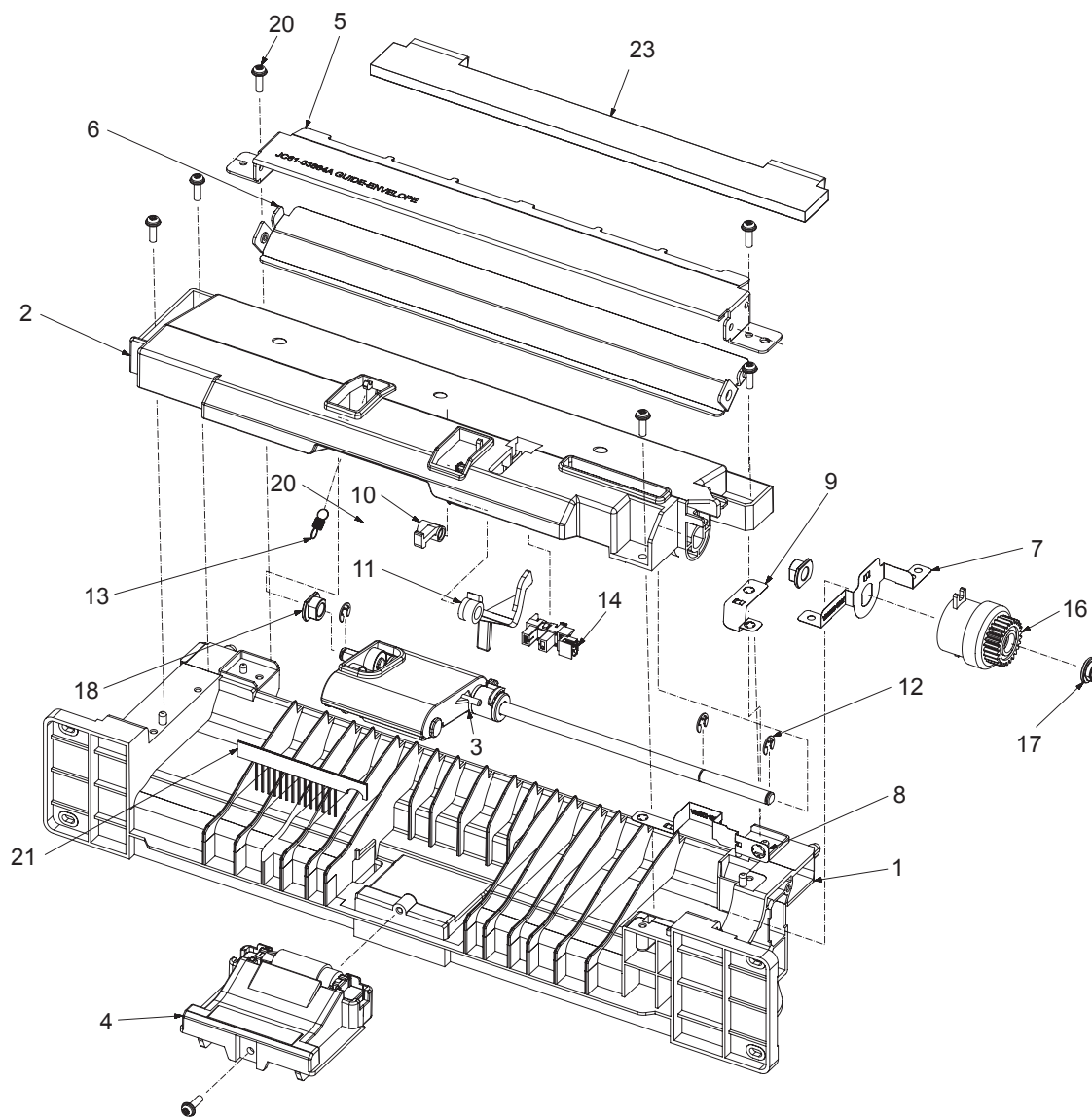
EXIT Parts List

SA : SERVICE AVAILABLE, SNA : SERVICE not AVAILABLE

Drawer#	SEC_Code	Description	QT'y	Service	Remark
0	JC90-01013B	EXIT	1	SA	
1	JC61-03862B	FRAME-EXIT	1	SNA	
2	JC61-03878A	FRAME-CAP_EXIT	1	SNA	
3	JC66-02621A	LEVER-STACKING	2	SA	
4	JC61-03891A	GUIDE-DEFLECTOR	1	SNA	
5	JC63-02657A	GROUND-EXIT_ROLLER	1	SNA	
6	JC63-02658A	GROUND-EXIT	1	SNA	
7	JC66-02663A	ROLLER-EXIT_UPPER	1	SNA	
8	JC66-02664A	ROLLER-EXIT_LOWER	1	SNA	
9	0604-001325	PHOTO-INTERRUPTER	1	SA	
10	6003-000196	SCREW-TAPTYPE	12	SA	
11	6044-000125	RING-E	2	SA	
12	6044-000159	RING-C	2	SNA	
13	6044-000129	RING-E	2	SA	
14	6107-001500	SPRING-TS	1	SNA	
15	JC39-00992A	HARNESS-REAR_JOINT_FR	1	SNA	
16	JC39-00710A	HARNESS-SENS T1 ENGA	1	SNA	

Drawer#	SEC_Code	Description	QT'y	Service	Remark
17	JC39-01399A	HARNESS-EXIT_MOT_JOINT	1	SA	
18	JC39-01374A	HARNESS-STACKER	1	SA	
19	JC61-00423A	BUSH-6_D	2	SA	
20	JC61-00424A	BUSH-4	2	SA	
21	JC61-00426A	BUSH-8/5	2	SA	
22	JC61-02634A	BRACKET-MALE_REAR	1	SNA	
23	JC66-00738A	DAMPER-PAD ADF_R2	2	SNA	
24	JC66-00854A	GEAR-M-EXIT DUP Z21	1	SA	
25	JC66-01017A	GEAR-M_EXIT UPPER	1	SA	
26	JC66-01018A	GEAR-M_EXIT LOWER	1	SA	
27	JC67-00295A	BRUSH-ANTISTATIC	1	SA	
28	JC72-01582A	SPONGE-LEVER_STACKING	2	SNA	
29	JC67-00477A	CAP-ROLLER_EXIT	2	SNA	
30	JC90-01017A	EXIT-ROLLER DUPLEX	1	SA	
31	JC93-00227A	DRIVE EXIT	1	SA	
32	0205-001080	GREASE-BEARING	0.6	SNA	

5.1.2. MP



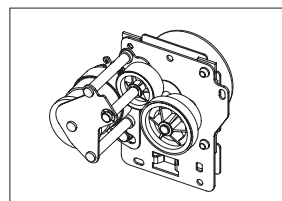
MP Parts List

SA : SERVICE AVAILABLE, SNA : SERVICE not AVAILABLE

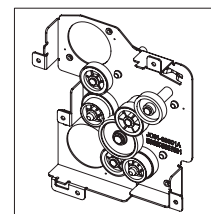
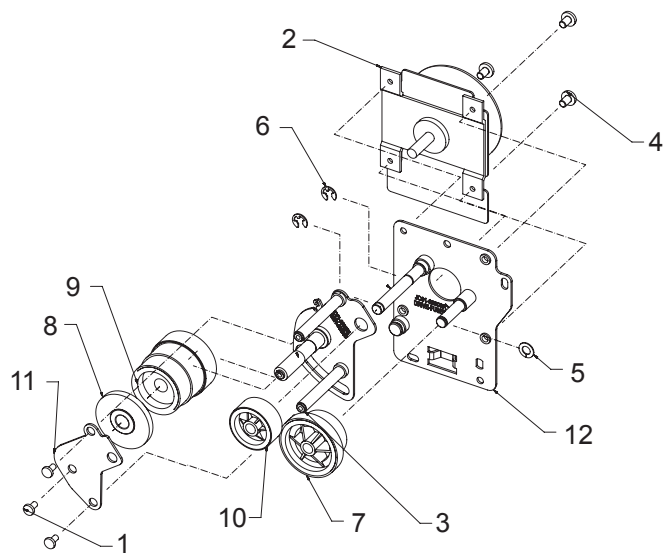
Drawer#	SEC_Code	Description	QT'y	Service	Remark
0	JC90-01020A	MP	1	SA	
1	JC61-03893A	FRAME-MP_BOTTOM	1	SNA	
2	JC61-03894A	FRAME-MP_TOP	1	SNA	
3	JC90-01012A	MP-PICK UP	1	SA	
4	JC90-01014A	MP-LOWER RETARD	1	SA	
5	JC61-03864A	GUIDE-ENVELOPE	1	SNA	
6	JC61-03871A	GUIDE-MP_RELEASE	1	SNA	
7	JC63-02665A	GROUND-MP_TOP	1	SNA	
8	JC63-02663A	GROUND-MP	1	SNA	
9	JC63-02664A	GROUND-MP_RELEASE	1	SNA	
10	JC66-00958B	LATCH-M_ARM REAR	1	SNA	
11	JC61-03892A	STOPPER-PAPER_MP	1	SA	

Drawer#	SEC_Code	Description	QT'y	Service	Remark
12	6044-000125	RING-E	3	SA	
13	6107-002631	SPRING-ES	1	SNA	
14	0604-001325	PHOTO-INTERRUPTER	1	SA	
15	JC72-01274A	SPONGE-ITB LOWER	1	SNA	
16	JC47-00023A	CLUTCH-FEED	1	SA	
17	JC61-00699A	BUSH-D6/L4	1	SA	
18	JC61-00423A	BUSH-6_D	2	SA	
19	6009-001664	SCREW-HEX	2	SNA	
20	6003-000196	SCREW-TAPTYPE	7	SA	
21	JC67-00507A	BRUSH-PICK_MP	1	SNA	
22	JC39-01383A	HARNESS-MP	1	SA	
23	JC63-02973A	ABSORBER-ENVELOPE	1	SNA	

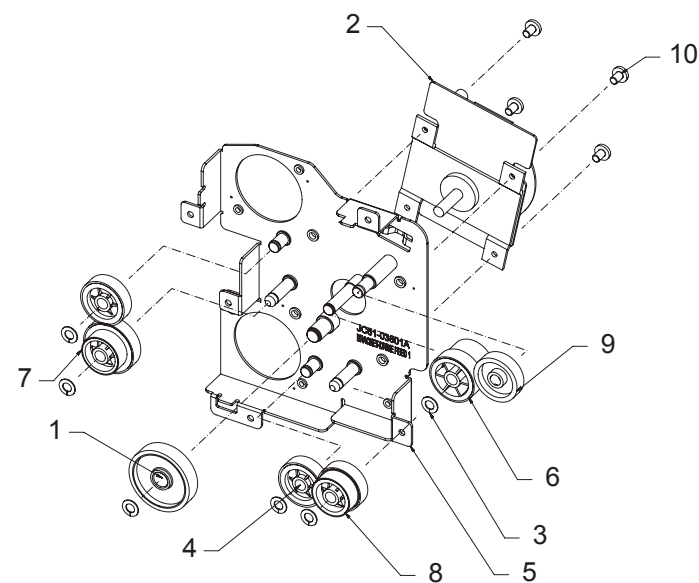
5.1.3. DRIVE FUSER & DRIVE FEED



a



b



DRIVE FUSER & DRIVE FEED Parts List

SA : SERVICE AVAILABLE, SNA : SERVICE not AVAILABLE

Drawer#	SEC_Code	Description	QT'y	Service	Remark
a	JC93-00226A	DRIVE FUSER	1	SA	
1	6001-000130	SCREW-MACHINE	3	SNA	
2	JC31-00090A	MOTOR BLDC	1	SA	
3	JC61-03807A	BRACKET-FUSER_SWING	1	SNA	
4	6003-000301	SCREW-TAPTYPE	3	SA	
5	6031-001255	WASHER-PLAIN	1	SA	
6	6044-000125	RING-E	2	SA	
7	JC66-02652A	GEAR-RDCN_3X5	1	SA	
8	JC61-03914A	SUPPORT-GAP_RING	1	SNA	
9	JC66-02634A	GEAR-RDCN_FUSER	1	SA	
10	JC66-02633A	GEAR-DRV_OPC	1	SA	
11	JC61-03961A	BRACKET-SWING_INNER	1	SNA	
12	JC61-03808A	BRACKET-DRIVE FUSER	1	SNA	

Drawer#	SEC_Code	Description	QT'y	Service	Remark
b	JC93-00229A	DRIVE-FEED	1	SA	
1	JC66-01376A	GEAR-IDLE OPC	1	SA	
2	JC31-00090A	MOTOR BLDC	1	SA	
3	6031-001255	WASHER-PLAIN	6	SA	
4	JC66-02643A	GEAR-FEED_IDLE	2	SA	
5	JC61-03801A	BRACKET-DRIVE FEED 1	1	SNA	
6	JC66-02649A	GEAR-RDCN_FEED	1	SA	
7	JC66-02644A	GEAR-RDCN_REGI	1	SA	
8	JC66-02645A	GEAR-RDCN_FORWARD	1	SA	
9	JC66-00861A	GEAR-M-MP DRV	1	SA	
10	6003-000301	SCREW-TAPTYPE	4	SA	

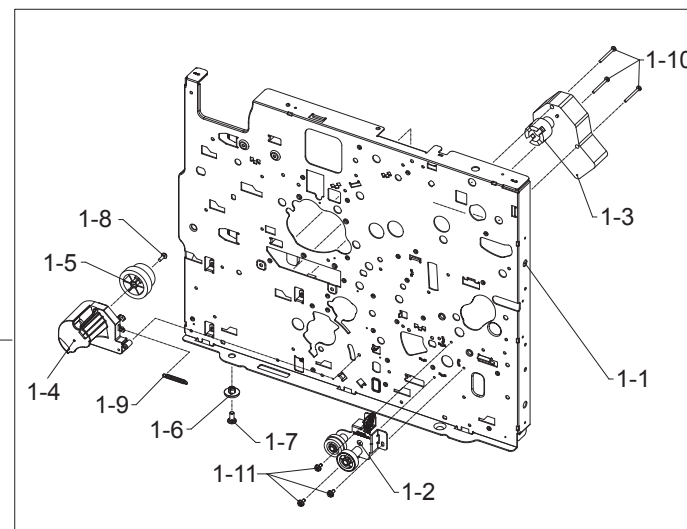
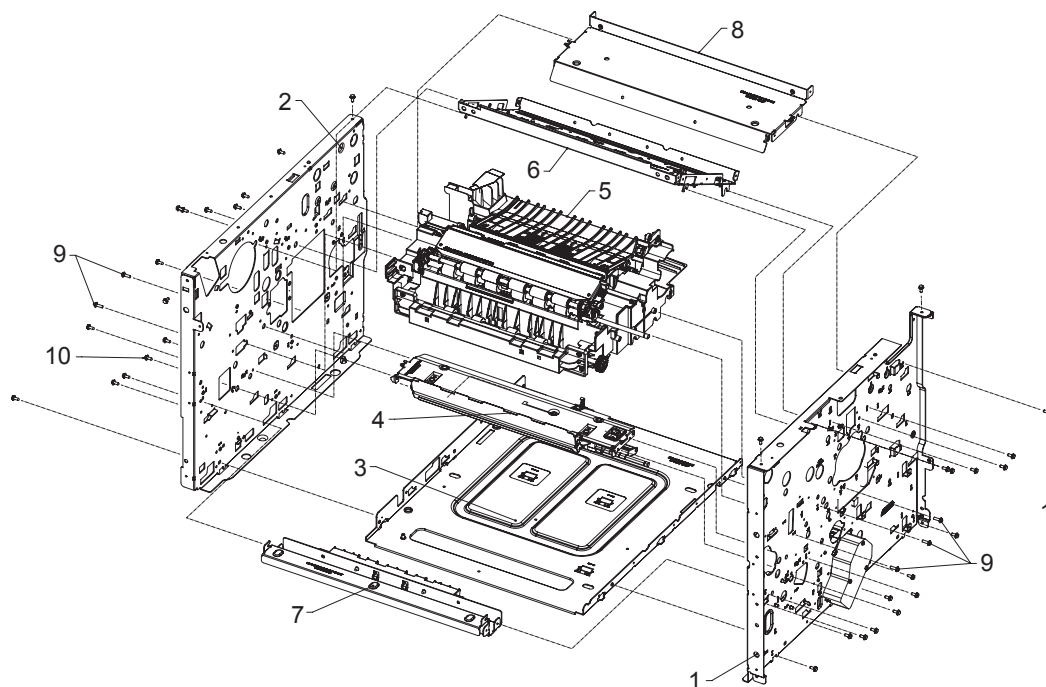
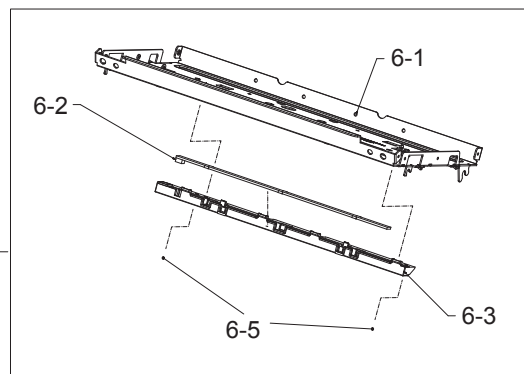
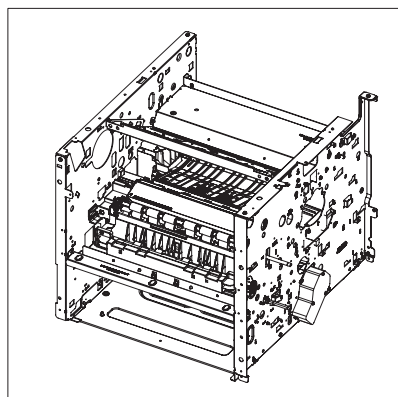
DRIVE MAIN Parts List

SA : SERVICE AVAILABLE, SNA : SERVICE not AVAILABLE

Drawer#	SEC_Code	Description	QT'y	Service	Remark
0	JC93-00230A	DRIVE MAIN	1	SA	
1	JC67-00460A	COUPLER-CARTRIDGE_MAG	1	SNA	
2	JC61-03865A	HOLDER-CAM_COUPLING	4	SNA	
3	JC66-02629A	LINK-COUPLING_RACK	1	SNA	
4	JC66-02631A	LINK-TONER_SHUTTER	1	SNA	
5	JC66-02641A	GEAR-COUPLING	3	SA	
6	JC67-00461A	COUPLER-CARTRIDGE_OPC	3	SNA	
7	JC66-02642A	GEAR-COUPLING-OPC	1	SA	
8	JC66-02630A	LINK-COUPLING_PINION	1	SNA	
9	6044-000231	RING-E	4	SA	
10	6044-000125	RING-E	7	SA	
11	6107-002662	SPRING-CS	4	SNA	
12	6003-000301	SCREW-TAPTYPE	8	SA	
13	JC66-02633A	GEAR-DRV_OPC	1	SA	

Drawer#	SEC_Code	Description	QT'y	Service	Remark
14	JC66-02638A	GEAR-DRV_TONER_1	1	SA	
15	JC66-02639A	GEAR-DRV_TONER_2	1	SA	
16	JC66-02640A	GEAR-DEVE_DRIVE	1	SA	
17	JC66-01051A	GEAR-RDCN DEVE	1	SNA	
18	JC66-02646A	GEAR-RDCN_MAG	1	SA	
28	JC61-03803A	BRACKET-DRIVE CARTRIDGE	1	SNA	
29	JC31-00090A	MOTOR BLDC	2	SA	
30	JC61-01370A	BRACKET-P-TONER MOTOR	1	SNA	
31	JC31-00078A	MOTOR DC	1	SA	
32	JC66-02650A	GEAR-DRV SUPPLY	1	SA	
33	JC61-03802A	BRACKET-DRIVE CARTRIDGE INNER	1	SNA	
34	6009-001665	SCREW-HEX	4	SA	
35	JC61-03915A	SUPPORT-WASHER_COUPLING	4	SNA	
36	JC63-02653A	COVER-COUPLING	1	SNA	

5.1.5. FRAME BASE



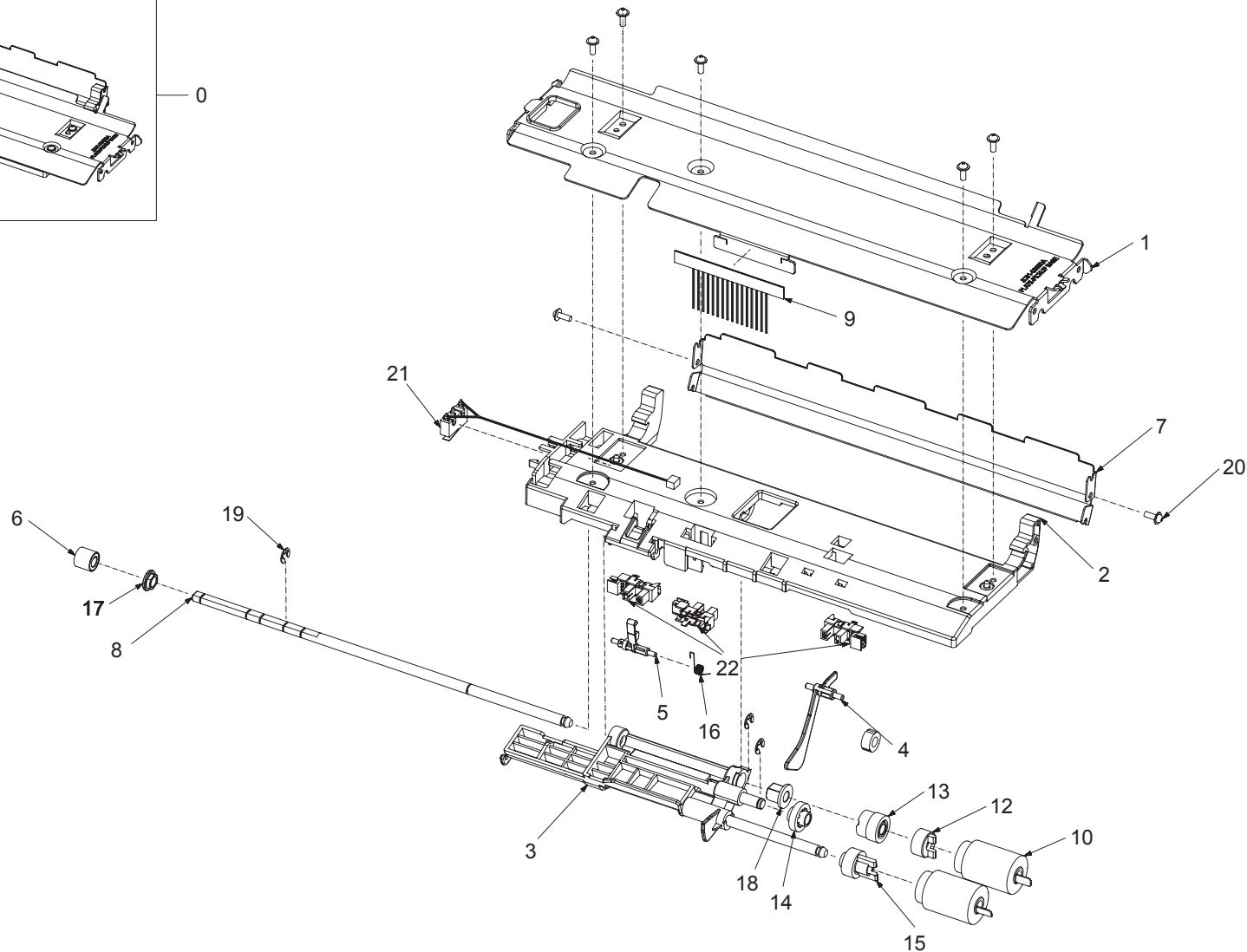
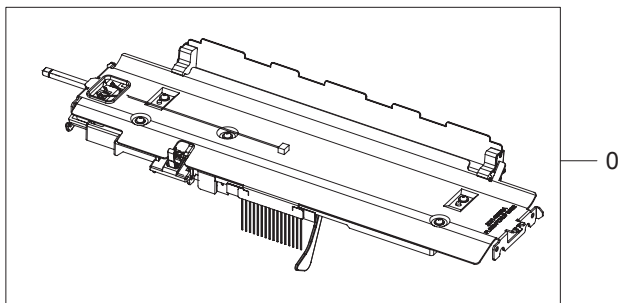
FRAME BASE Parts List

SA : SERVICE AVAILABLE, SNA : SERVICE not AVAILABLE

Drawer#	SEC_Code	Description	QT'y	Service	Remark
0	JC93-00272A	FRAME BASE	1	SNA	
1	JC93-00248A	FRAME-RIGHT	1	SNA	
1-1	JC93-00248A	FRAME-RIGHT	1	SNA	
1-2	JC93-00225A	DRIVE-PICK UP	1	SNA	
1-3	JC31-00137A	MOTOR GEARED-LIFT 500	1	SA	
1-4	JC61-03962A	HOLDER-CASSETTE_LIFT	1	SNA	
1-5	JC66-02710A	GEAR-IDLE_LIFT	1	SA	
1-6	JC61-03946A	HOLDER-FOOT_LOWER	1	SA	
1-7	JC61-03955A	FOOT-UPPER	1	SA	
1-8	6003-000196	SCREW-TAPTYPE	1	SA	
1-9	6107-001155	SPRING-ES	1	SA	
1-10	6003-001474	SCREW-TAPTYPE	3	SNA	
1-11	6009-001664	SCREW-HEX	3	SNA	
2	JC93-00242A	FRAME-LEFT	1	SNA	

Drawer#	SEC_Code	Description	QT'y	Service	Remark
3	JC93-00253A	FRAME-BOTTOM	1	SNA	
4	JC93-00240A	FRAME-PICKUP	1	SNA	
5	JC93-00256A	FRAME-MIDDLE	1	SNA	
6	JC93-00255A	FRAME-UPPER	1	SNA	
6-1	JC61-03824A	FRAME-LSU_LOWER	1	SNA	
6-2	JC92-02287A	PBA-ERASER	1	SNA	
6-3	JC61-03843A	HOLDER-PBA_LED	1	SNA	
6-4	1404-001417	THERMISTOR-NTC ASS'Y	1	SA	
6-5	6009-001664	SCREW-HEX	2	SNA	
7	JC93-00261A	FRAME-FRONT	1	SNA	
8	JC93-00255A	FRAME-UPPER	1	SNA	
9	6003-000196	SCREW-TAPTYPE	5	SA	
10	6009-001717	SCREW-SPECIAL	32	SA	

5.1.5.1. FRAME-PICKUP



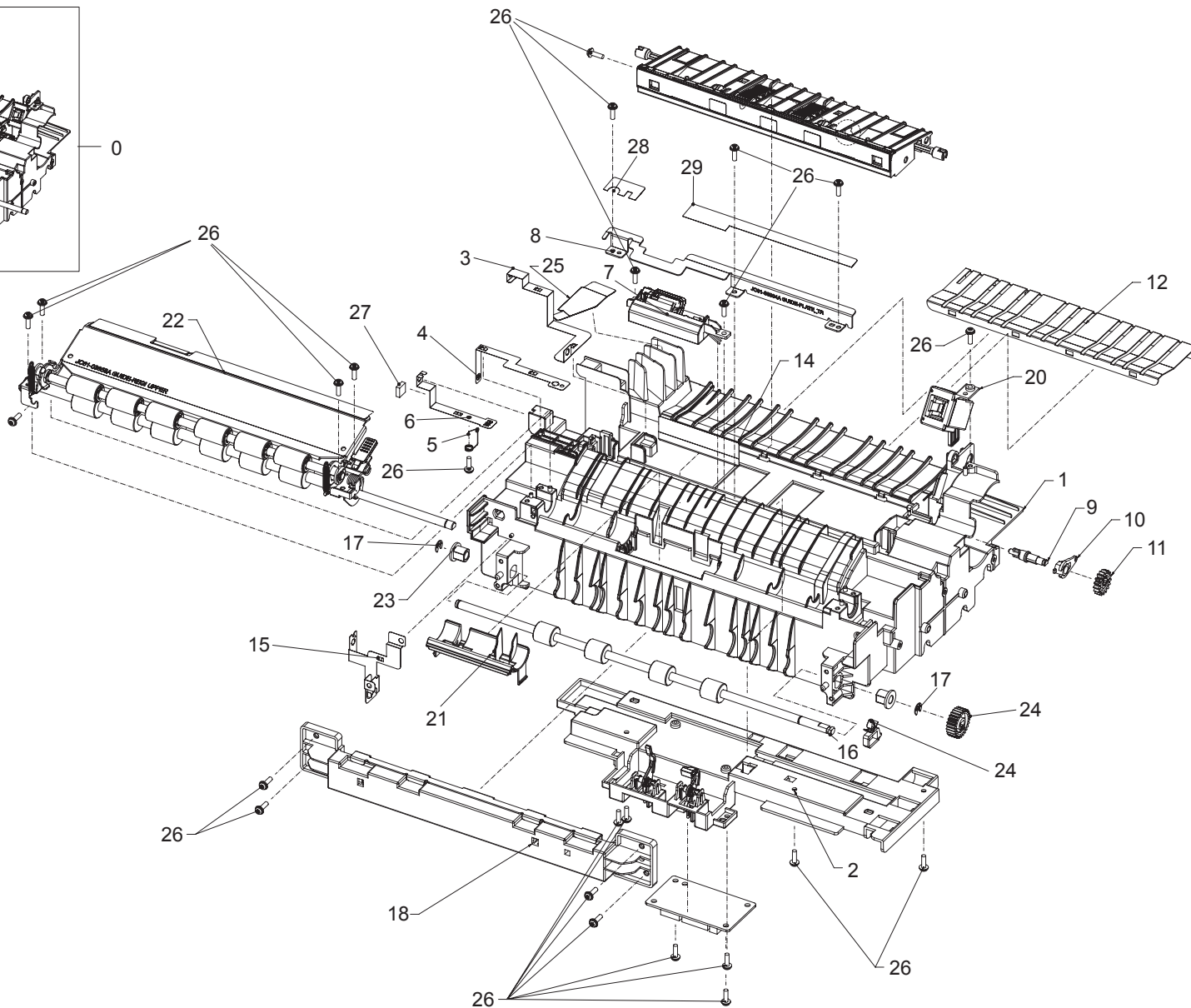
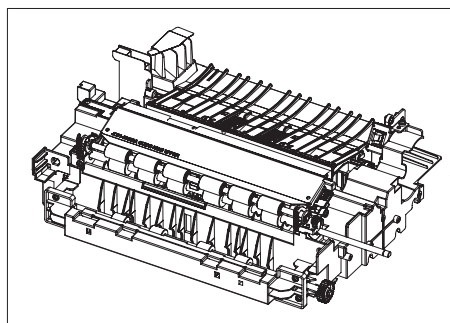
FRAME-PICKUP Parts List

SA : SERVICE AVAILABLE, SNA : SERVICE not AVAILABLE

Drawer#	SEC_Code	Description	QT'y	Service	Remark
0	JC93-00240A	FRAME-PICKUP	1	SNA	
1	JC61-03850A	PLATE-PICKUP_BASE	1	SNA	
2	JC61-03823A	HOLDER-PICK_UP	1	SNA	
3	JC61-03846A	HOUSING-PICK_UP	1	SNA	
4	JC66-02613A	ACTUATOR-PAPER_EMPTY	1	SA	
5	JC66-02614A	ACTUATOR-FEED_DUPLEX	1	SA	
6	JC66-02632A	GEAR-DRV_PICKUP	1	SNA	
7	JC61-03849A	PLATE-GUIDE_PAPER	1	SNA	
8	JC66-02653A	SHAFT-PICK_UP	1	SNA	
9	JC67-00468A	BRUSH-PICK	1	SNA	
10	JC97-02259A	MEA UNIT-ROLLER PU	2	SA	
12	JC97-02292A	MEA UNIT-IDLE FORWARD	1	SNA	

Drawer#	SEC_Code	Description	QT'y	Service	Remark
13	JC97-02291A	MEA UNIT-GEAR ONE WAY	1	SNA	
14	JC66-00940A	GEAR-M_IDLE PU	1	SA	
15	JC66-00943A	GEAR-M_PU JOINT	1	SA	
16	6107-001261	SPRING-TS	1	SA	
17	JC61-00699A	BUSH-D6/L4	1	SA	
18	JC61-00884A	BUSH-6_D(L)	1	SA	
19	6044-000125	RING-E	3	SA	
20	6002-000440	SCREW-TAPPING	7	SNA	
21	JC39-01382A	HARNESS-PICKUP	1	SNA	
22	0604-001325	PHOTO-INTERRUPTER	3	SA	

5.1.5.2. FRAME-MIDDLE



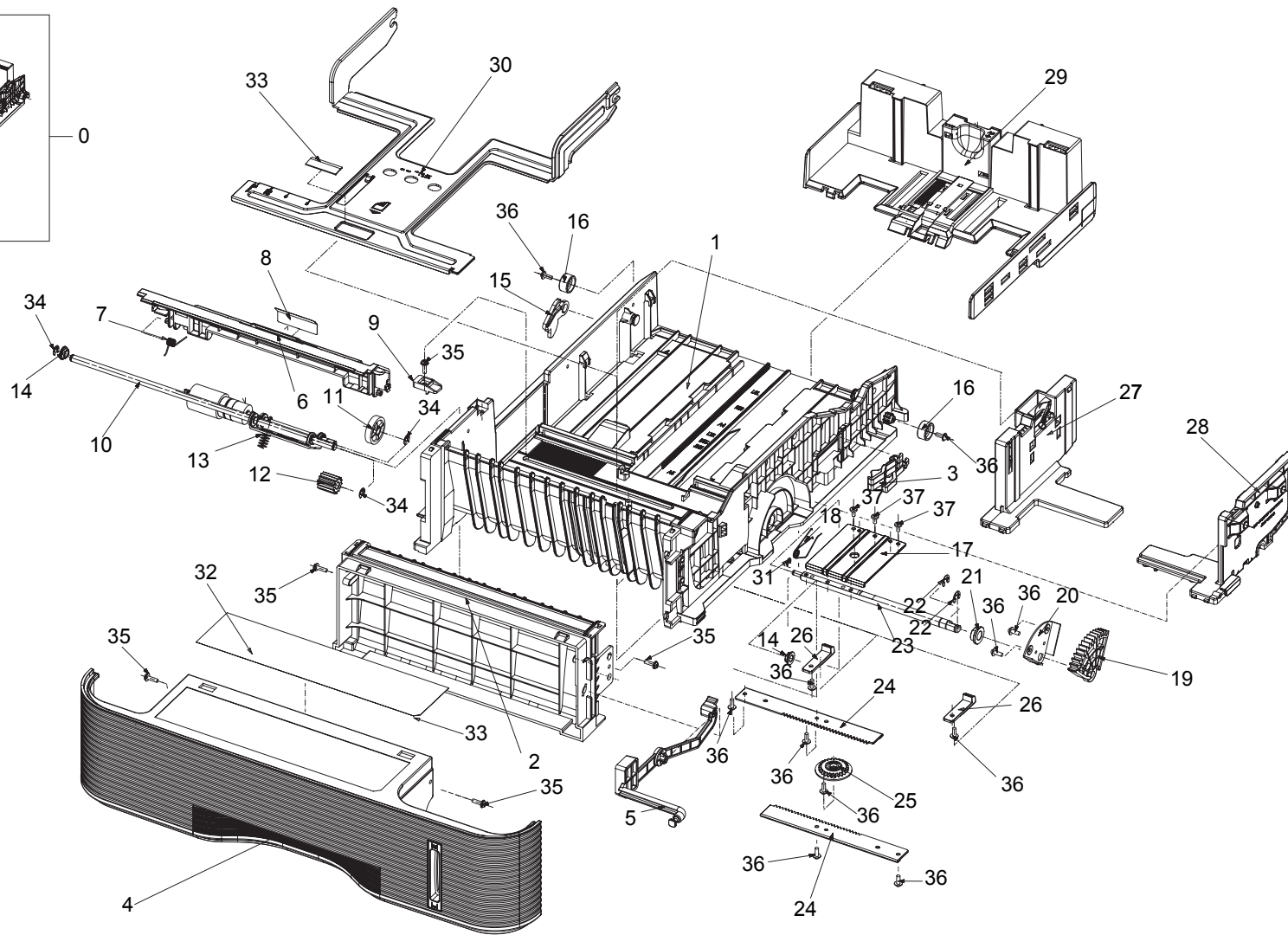
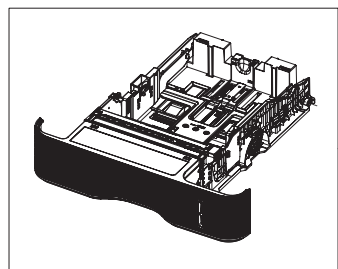
FRAME-MIDDLE Parts List

SA : SERVICE AVAILABLE, SNA : SERVICE not AVAILABLE

Drawer#	SEC_Code	Description	QT'y	Service	Remark
0	JC93-00256A	FRAME-MIDDLE	1	SNA	
1	JC61-03832A	FRAME-BASE_FEED	1	SNA	
2	JC93-00257A	FRAME-ACTUATOR	1	SNA	
3	JC63-02671A	GROUND-SIDE_SAW	1	SNA	
4	JC63-03083A	GROUND-EARTH_TR	1	SNA	
5	6107-002696	SPRING-TS	1	SNA	
6	JC63-02685A	GROUND-TR	1	SNA	
7	JC93-00279A	FRAME-SENSOR CTD	1	SNA	
8	JC61-03904A	GUIDE-PLATE_TR	1	SNA	
9	JC66-00888A	SHAFT-M BELT_GEAR	1	SNA	
10	JC72-41191B	PMO-BEARING SHAFT	1	SNA	
11	JC66-00674A	GEAR-M-EXIT Z17	1	SA	
12	JC61-04321A	GUIDE-TRANSFER_REAR	1	SNA	
13	JC93-00258A	FRAME-SHAFT	1	SNA	
14	JC63-02825A	SHEET-FEED CTD	1	SNA	

Drawer#	SEC_Code	Description	QT'y	Service	Remark
15	JC63-02666A	GROUND-REGI	1	SNA	
16	JC66-02656A	ROLLER-FEED2	1	SNA	
17	6044-000125	RING-E	2	SA	
18	JC93-00259A	FRAME-FEED IDLE	1	SNA	
19	JC66-01262A	GEAR-FEED	1	SA	
20	JC93-00260A	FRAME-HOLDER CONNECTOR	1	SNA	
21	JC67-00456A	CAP-ACTUATOR	1	SNA	
22	JC93-00239A	FRAME-REGI	1	SA	
23	JC61-00884A	BUSH-6_D(L)	2	SA	
24	6502-001132	SADDLE	1	SA	
25	JC63-02872A	SHEET-FAN-SMPS	1	SNA	
26	6003-000196	SCREW-TAPTYPE	25	SA	
27	JC62-00806A	SEAL-BLADE SIDE	1	SNA	
28	JC63-02963A	SHEET-GUIDE_PLATE_TR	1	SNA	
29	JC63-02964A	SHEET-GUIDE_PLATE_TR_SMALL	1	SNA	

6. CASSETTE



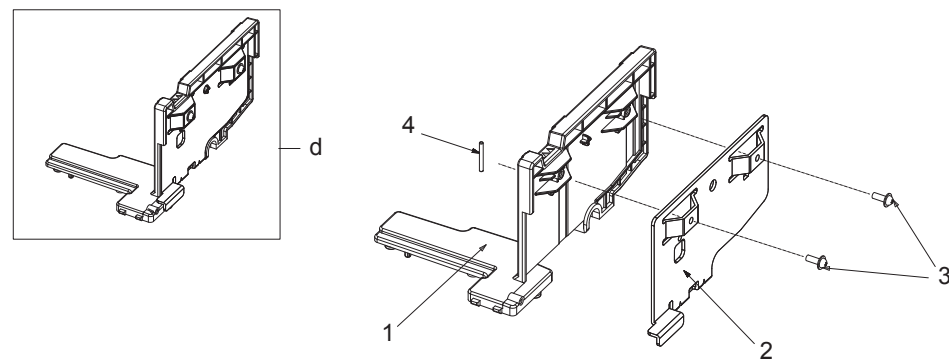
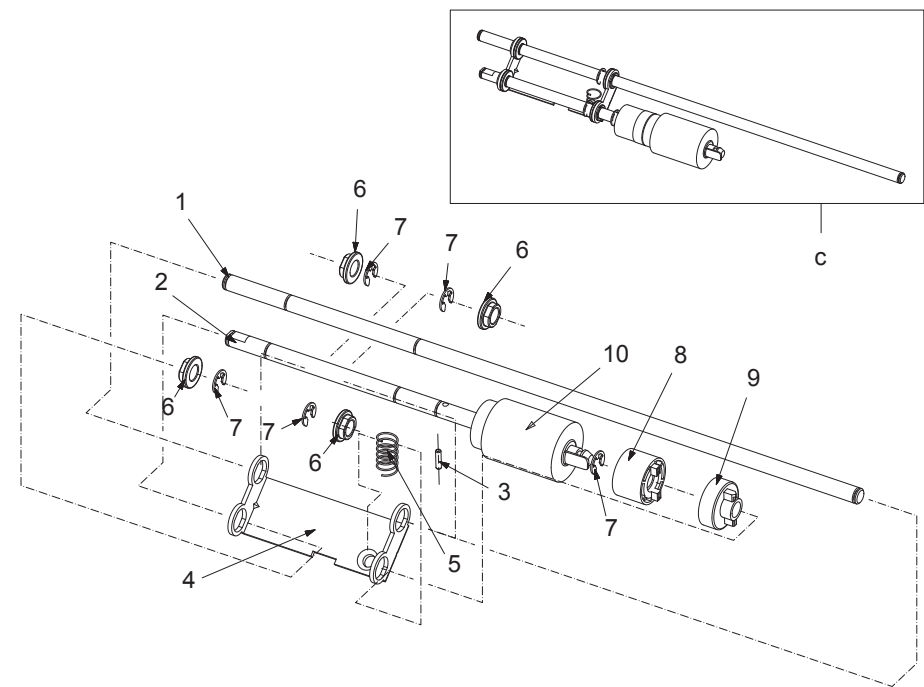
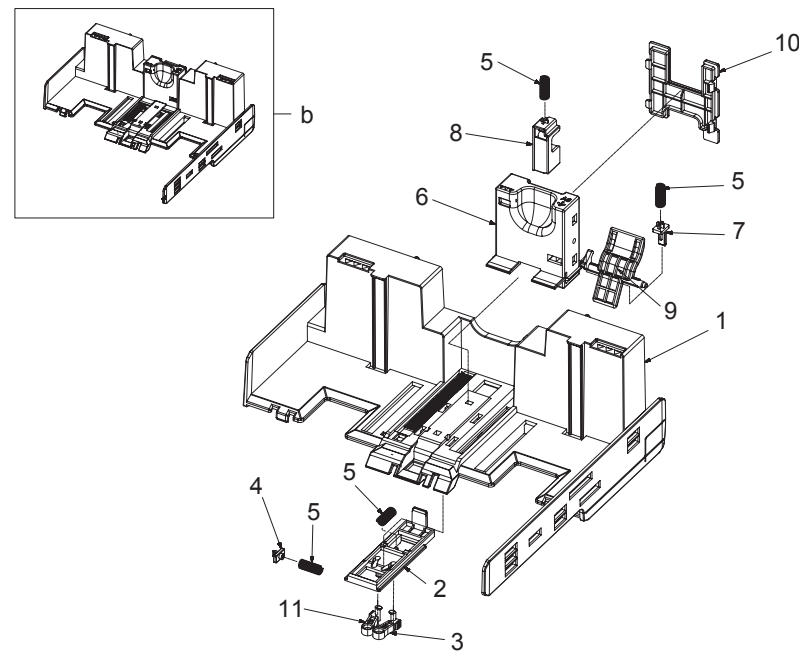
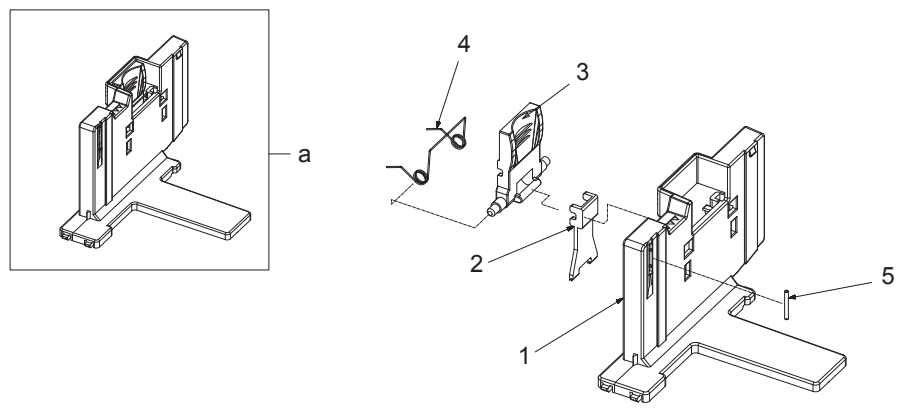
CASSETTE Parts List

Drawer#	SEC_Code	Description	QT'y	Service	Remark
0	JC90-01057A	CASSETTE	1	SA	
1	JC81-08488B	CSP-FRAME CASSETTE	1	SNA	
2	JC81-08591B	CSP-FRAME GUIDE PAPER DUMMY	1	SNA	
3	JC81-08485A	CSP-DETECTOR PAPER SIZE	3	SNA	
4	JC81-08495A	CSP-CST HANDLE CASSETTE	1	SNA	
5	JC81-08891A	CSP-CST PAPER INDICATOR	1	SNA	
6	JC81-08479B	CSP-CAP RETARD	1	SA	
7	JC81-08640A	CSP-SPRING TS	1	SNA	
8	JC81-08641A	CSP-SHEET RETARD HCF	1	SA	
9	JC61-00832B	STOPPER-M_KNOCK UP	1	SA	
10	JC90-01049A	CASSETTE-RETARD	1	SNA	
11	JC66-01676A	GEAR-PICKUP DRIVE	1	SA	
12	JC81-08477A	CSP-GEAR IDLE RETARD	1	SNA	
13	JC61-00387A	SPRING ETC-PAD	1	SA	
14	JC61-00699A	BUSH-D6/L4	6	SA	
15	JC81-08494A	CSP-LOCKER CASSETTE	1	SA	
16	JC61-03882A	ROLLER-SUPPORT_CST	2	SNA	
17	JC61-03206A	PLATE-LEVER	1	SNA	
18	JC81-08486A	CSP-SPRING GROUND CASSETTE	1	SNA	

SA : SERVICE AVAILABLE, SNA : SERVICE not AVAILABLE

Drawer#	SEC_Code	Description	QT'y	Service	Remark
19	JC81-08478A	CSP-GEAR LIFTING	1	SA	
20	JC61-01791A	PLATE-LIFTING GEAR	1	SNA	
21	JC61-00426A	BUSH-8/5	1	SA	
22	6044-000231	RING-E	2	SA	
23	JC81-08636A	CSP-SHAFT LEVER	1	SNA	
24	JC81-08492A	CSP-GEAR RACK	1	SNA	
25	JC66-01020A	GEAR-M_PINION 24	1	SA	
26	JC81-08602A	CSP-LOCKER GUIDE REAR	2	SNA	
27	JC90-01048A	CASSETTE-SIDE LEFT	1	SA	
28	JC90-01047A	CASSETTE-SIDE RIGHT	1	SA	
29	JC90-01050B	CASSETTE-GUIDE REAR PAPER	1	SA	
30	JC81-08519A	CSP-PLATE KNOCK UP	1	SNA	
31	6044-000159	RING-C	1	SNA	
32	JC68-02611A	LABEL-INSTALLATION	1	SNA	
33	JC69-00494A	PAD-MP(PLUS)	1	SA	
34	6044-000125	RING-E	9	SA	
35	6003-000196	SCREW-TAPTYPE	5	SA	
36	6002-000440	SCREW-TAPPING	11	SNA	
37	6003-000269	SCREW-TAPTYPE	3	SA	

6.1. CASSETTE Sub units



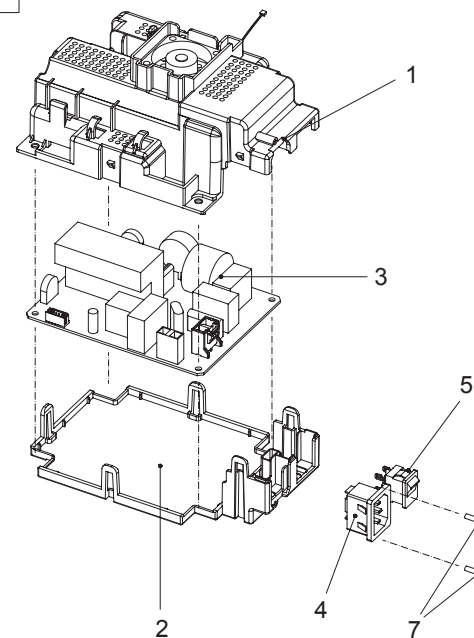
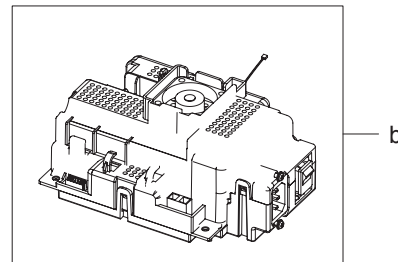
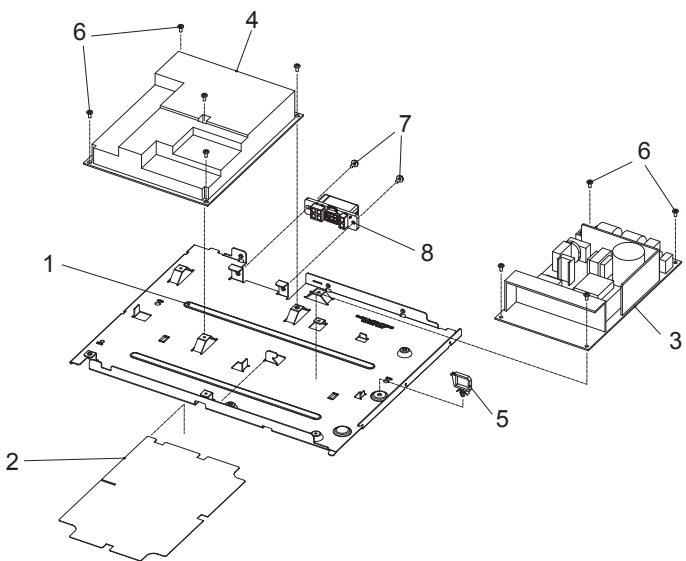
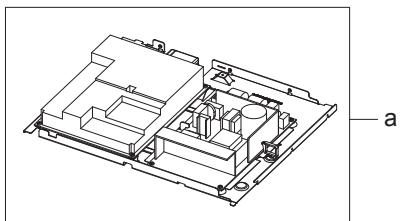
CASSETTE Sub units Parts List

SA : SERVICE AVAILABLE, SNA : SERVICE not AVAILABLE

Drawer#	SEC_Code	Description	QT'y	Service	Remark
a	JC90-01048A	CASSETTE-SIDE LEFT	1	SA	
1	JC81-08490A	CSP-GUIDE SIDE LEFT	1	SNA	
2	JC61-02646A	GUIDE-LOCK_REAR	1	SNA	
3	JC81-08491A	CSP-LEVER GUIDE SIDE	1	SNA	
4	JC81-08637A	CSP-SPRING TS	1	SNA	
5	JC70-20901A	SHAFT	1	SNA	
b	JC90-01050B	CASSETTE-GUIDE REAR PAPER	1	SA	
1	JC81-08481B	CSP-GUIDE REAR PAPER	1	SNA	
2	JC81-08482A	CSP-GUIDE REAR SLIDE	1	SNA	
3	JC81-08483A	CSP-GUIDE LOCK RIGHT	1	SNA	
4	JC64-00426A	KNOB-GUIDE_REAR	1	SNA	
5	JC61-00013A	SPRING ETC-PAD	4	SNA	
6	JC81-08606A	CSP-GUIDE REAR1	1	SNA	
7	JC81-08603A	CSP-SUPPORT LOCKER GRU	1	SNA	
8	JC81-08604A	CSP-LOCKER GUIDE REAR U	1	SNA	
9	JC81-08480A	CSP-LEVER EXTENTION	1	SNA	
10	JC81-08605A	CSP-GUIDE REAR2	1	SNA	

Drawer#	SEC_Code	Description	QT'y	Service	Remark
11	JC81-08484A	CSP-GUIDE LOCK LEFT	1	SNA	
c	JC90-01049A	CASSETTE-RETARD	1	SNA	
1	JC81-08638A	CSP-SHAFT HINGE RETARD	1	SNA	
2	JC81-08639A	CSP-SHAFT RETARD	1	SNA	
3	JC66-00939A	SHAFT-LOCK	1	SNA	
4	JC81-08474A	CSP-BRACKET RETARD HINGE	1	SNA	
5	JC61-00387A	SPRING ETC-PAD	1	SA	
6	JC61-00699A	BUSH-D6/L4	6	SA	
7	6044-000125	RING-E	9	SA	
8	JC67-00126A	COUPLER-TORQUELIMITER	1	SNA	
9	JC66-00976A	JOINT-M_RETARD	1	SNA	
10	JC97-02259A	MEA UNIT-ROLLER PU	1	SA	
d	JC90-01047A	CASSETTE-SIDE RIGHT	1	SA	
1	JC81-08489A	CSP-GUIDE SIDE RIGHT	1	SNA	
2	JC81-08601A	CSP-BRACKET SIDE RIGHT	1	SNA	
3	6002-000440	SCREW-TAPPING	11	SNA	
4	JC70-20901A	SHAFT	1	SNA	

7. FRAME-POWER SUPPLY & FRAME-BOARD FUSER DRIVE



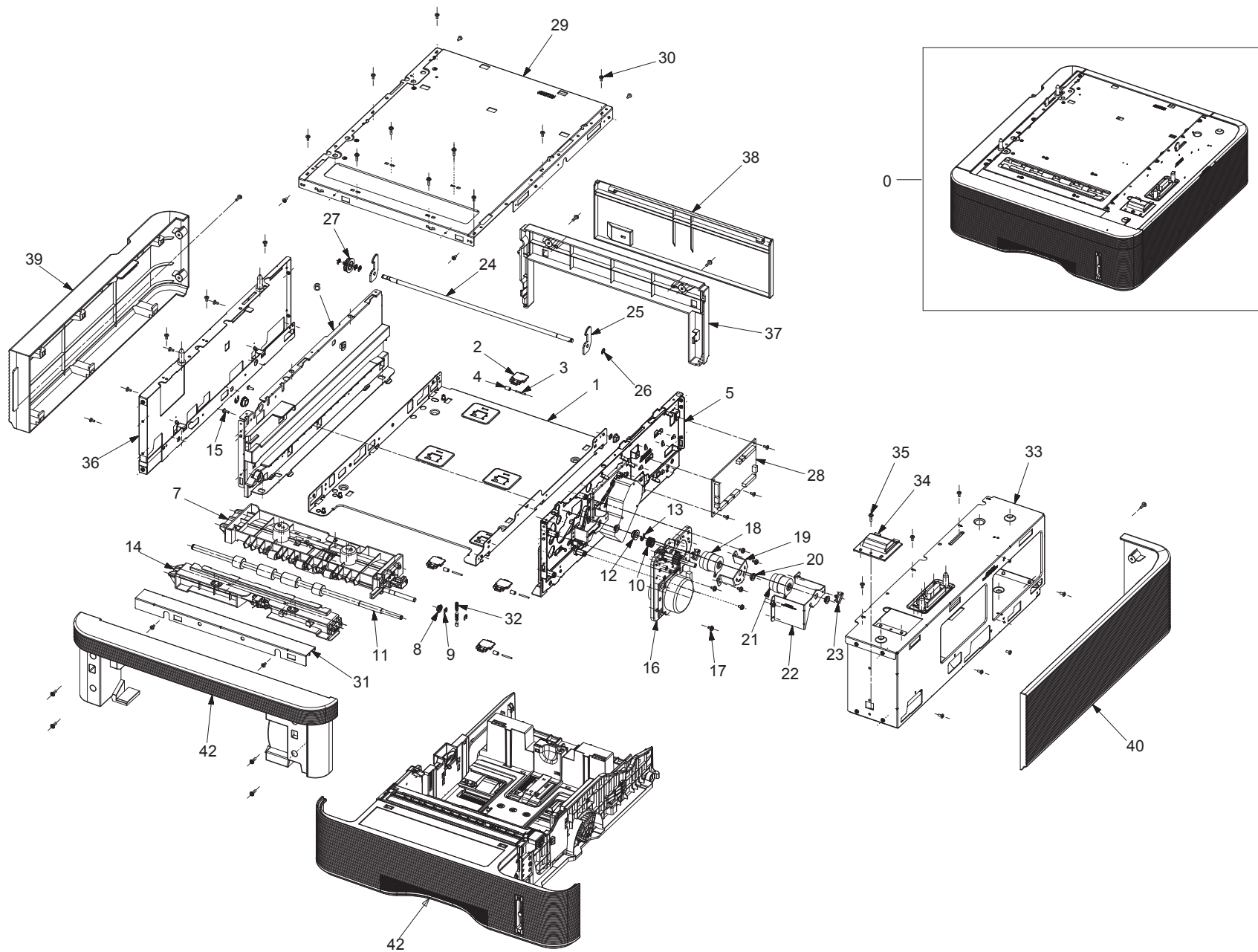
FRAME-POWER SUPPLY & FRAME-BOARD FUSER DRIVE Parts List

SA : SERVICE AVAILABLE, SNA : SERVICE not AVAILABLE

Drawer#	SEC_Code	Description	QT'y	Service	Remark
a	JC93-00270A	FRAME-POWER SUPPLY	1	SNA	110V
a	JC93-00270B	FRAME-POWER SUPPLY	1	SNA	220V
1	JC63-02642A	SHIELD-SMPS_HVPS	1	SNA	
2	JC63-02770A	SHEET-SMPS_HVPS	1	SNA	
3	JC44-00093B	SMPS-V1	1	SA	110V
3	JC44-00100B	SMPS-V2C	1	SA	220V
4	JC44-00196A	HVPS	1	SA	
5	6502-001133	SADDLE	1	SNA	
6	6003-000269	SCREW-TAPTYPE	9	SA	
7	6009-001664	SCREW-HEX	2	SNA	
8	JC39-01393A	HARNESS-FUSER_FR	1	SA	
9	JC39-01376A	HARNESS-HVPS	1	SA	
10	JC39-00435A	CBF HARNESS-SMPS	1	SA	

Drawer#	SEC_Code	Description	QT'y	Service	Remark
b	JC93-00277A	FRAME-BOARD FUSER DRIVE	1	SA	110V
b	JC93-00277B	FRAME-BOARD FUSER DRIVE	1	SA	220V
1	JC95-01292A	COVER-FUSER DRIVE BOARD	1	SNA	
2	JC61-03834A	HOLDER-FDB_LOWER	1	SA	
3	JC44-00191A	FDB-MULTI TRIAC V1	1	SA	110V
3	JC44-00192A	FDB-MULTI TRIAC V2	1	SA	220V
4	JC39-01390A	HARNESS-FUSER_AC	1	SA	
5	JC39-01389A	HARNESS-INLET	1	SA	
6	JC39-01377A	HARNESS-FDB	1	SA	
7	6003-000196	SCREW-TAPTYPE	2	SA	

8. SCF



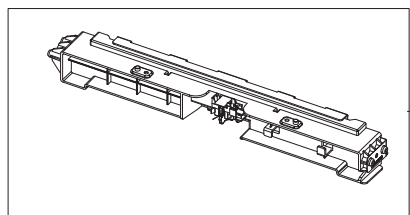
SCF Parts List

SA : SERVICE AVAILABLE, SNA : SERVICE not AVAILABLE

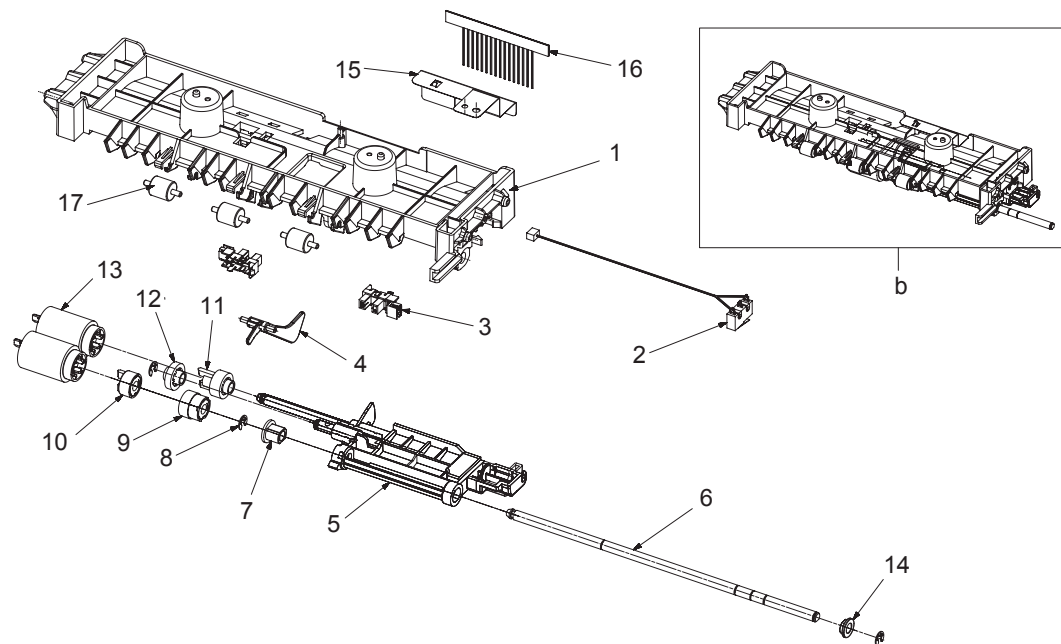
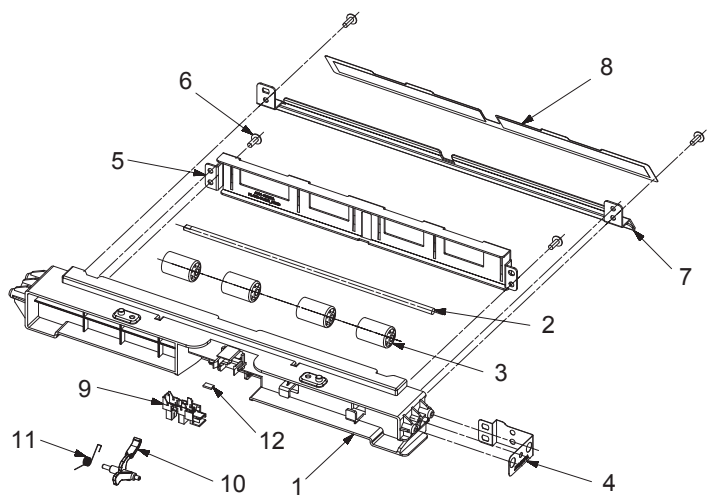
Drawer#	SEC_Code	Description	QT'y	Service	Remark
0	JC90-01059A	SCF	1	SNA	
1	JC81-08629A	CSP-FRAME BOTTOM	1	SA	
2	JC61-03841A	HOLDER-ROLLER_CST	4	SNA	
3	JC70-20901A	IEX-SHAFT IDLE,F/UP	4	SNA	
4	JC61-03896A	ROLLER-CST BOTTOM	4	SNA	
5	ED11-00031A	ELA UNIT-FRAME RIGHT	1	SNA	
6	ED11-00030A	ELA UNIT-FRAME LEFT	1	SNA	
7	JC81-08706A	A/S COM-UNIT-PICKUP	1	SA	
8	JC61-00699A	BUSH-D6/L4	1	SNA	
9	6044-000125	RING-E(ID4)	1	SNA	
10	JC81-08619A	CSP-GEAR DRV PICK UP	1	SA	
11	JC81-08456A	CSP-SCF ROLLER REGI	1	SA	
12	JC61-00426A	BUSH-8/5	2	SNA	
13	6044-000231	RING-E(ID5)	2	SNA	
14	JC81-08708A	A/S COM-UNIT FEED	1	SA	
15	6002-000440	SCREW-TAPPING (M3XL8)	4	SNA	
16	JC81-08707A	A/S-UNIT DRIVE	1	SA	
17	6009-001665	SCREW-HEX (M3XL6)	9	SNA	
18	JC66-01837A	CLUTCH-2.5K Z24	1	SA	
19	JC81-08631A	CSP-BRKT CLUTCH PICKUP	1	SA	
20	JC61-00699A	BUSH-D6/L4	2	SNA	
21	JC66-00994C	CLUTCH-5K Z32	1	SA	

Drawer#	SEC_Code	Description	QT'y	Service	Remark
22	JC81-08592A	CSP-BRKT CLUTCH REGI H	1	SA	
23	ED91-00033A	DAGM-05(CABLE CLAMP)	2	SNA	
24	ED24-00030A	SHAFT-LOCK	1	SNA	
25	JC81-08468A	CSP-SCF HOOK LOCK	2	SA	
26	6044-000125	RING-E(ID4)	4	SNA	
27	JC81-08458A	CSP-SCF RACK GEAR	1	SA	
28	JC81-08709A	AS-PBA SCF MAIN	1	SA	
29	JC81-08461A	CSP-FRAME TOP	1	SA	
30	6003-000269	SCREW-TAPTITE (M3XL6)	24	SNA	
31	JC81-08469A	CSP-SCF BEAM FRONT	1	SA	
32	6107-001259	SPRING-ES	1	SNA	
33	JC81-08594A	CSP BRKT RIGHT DUMMY	1	SA	
34	JC81-09020A	CSP-CAP-HOUSING_SCF	1	SA	
35	6003-000169	SCREW-TAPPING (M3XL10)	11	SNA	
36	JC81-08593A	CSP-BRKT LEFT DUMMY	1	SA	
37	JC81-08454B	CSP-SCF DUMMY REAR	1	SA	
38	JC63-01942C	COVER-CASSETTE	1	SNA	
39	JC81-08893A	CSP-COVER-LEFT	1	SA	
40	JC81-08892A	CSP-COVER-RIGHT	1	SA	
41	JC81-08894A	CSP-COVER-FRONT-DUMMY	1	SA	
42	JC90-01057A	CASSETTE	1	SA	

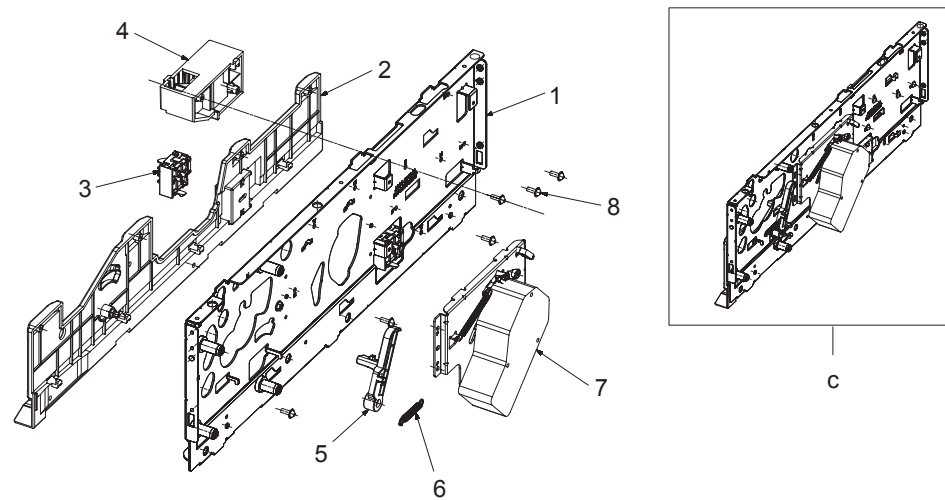
8. SCF Sub units



a



b



c

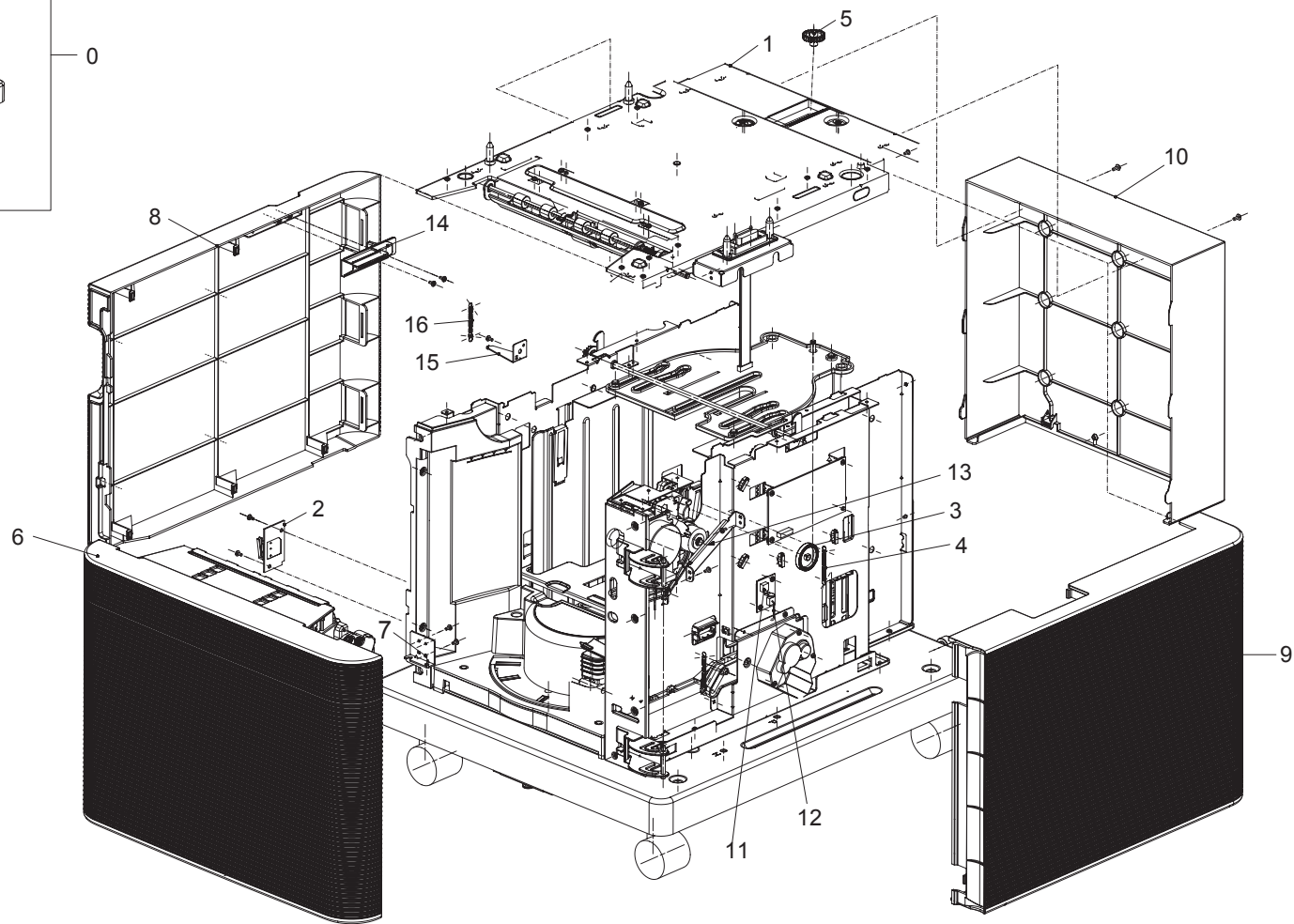
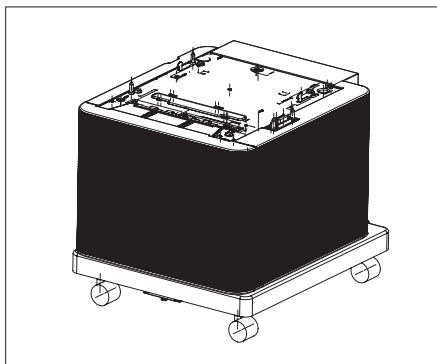
SCF Sub units Parts List

SA : SERVICE AVAILABLE, SNA : SERVICE not AVAILABLE

Drawer#	SEC_Code	Description	QT'y	Service	Remark
a	JC81-08708A	A/S COM-UNIT FEED	1	SA	
1	JC81-08459A	CSP-SCF GUIDE FEED	1	SNA	
2	JC66-00661A	SHAFT-EXIT IDLE	1	SNA	
3	JC66-01022A	ROLLER-M_IDLE SCF	4	SNA	
4	JC81-08471A	CSP-SCF GROUND FEED	1	SNA	
5	JC81-08627A	CSP-PLATE GUIDE FEED	1	SNA	
6	6002-000440	SCREW-TAPPING (M3XL8)	4	SNA	
7	JC81-08465A	CSP-SCF PLATE GUIDE PAPER	1	SNA	
8	ED26-00008A	SHEET-GUIDE PAPER	1	SNA	
9	0604-001325	PHOTO-INTERRUPTER	1	SA	
10	JC81-08460A	CSP-SCF ACTUATOR FEED	1	SA	
11	ED31-00012A	SPRING-TS	1	SNA	
12	JC72-01403A	SPONGE-GUIDE OUTPUT	1	SNA	
b	JC81-08706A	A/S COM-UNIT-PICKUP	1	SA	
1	JC81-08455A	CSP-SCF FRAME PICKUP	1	SNA	
2	ED51-00043A	CBF HARNESS-HSCF SENSOR	1	SNA	
3	0604-001325	PHOTO-INTERRUPTER	2	SA	
4	JC66-02613A	ACTUATOR-PAPER_EMPTY	1	SA	
5	JC81-08620A	CSP-HOUSING PICK UP	1	SNA	
6	ED24-00031A	SHAFT-FORWARD	1	SNA	

Drawer#	SEC_Code	Description	QT'y	Service	Remark
7	JC61-00884A	BUSH-6_D(L)	1	SNA	
8	6044-000125	RING-E(ID4)	1	SNA	
9	JC97-02291A	MEA UNIT-GEAR ONE WAY	1	SA	
10	JC97-02292A	MEA UNIT-IDLE FORWARD	1	SA	
11	JC66-00940A	GEAR-M_IDLE PU	1	SNA	
12	JC66-00943A	GEAR-M_PU JOINT	1	SNA	
13	JC97-02259A	MEA UNIT-ROLLER PU	2	SA	
14	JC61-00699A	BUSH-D6/L4	1	SNA	
15	JC81-08470A	CSP-SCF GROUND PICKUP	1	SNA	
16	JC67-00468A	BRUSH-PICK	1	SNA	
17	JC66-01013A	ROLLER-M IDLE JF	3	SNA	
c	ED11-00031A	ELA UNIT-FRAME RIGHT	1	SNA	
1	JC81-08464A	CSP-SCF FRAME RIGHT	1	SNA	
2	JC81-08617A	CSP-GUIDE CASSETTE R	1	SNA	
3	JC34-00001A	SWITCH-SIGNAL	1	SA	
4	ED11-00028A	MEA UNIT-STOPPER CST	1	SNA	
5	JC81-08621A	CSP-LEVER PICK UP	1	SNA	
6	6107-001517	SPRING-ES	1	SNA	
7	JC81-08705A	AS-UNIT-LIFT	1	SA	
8	6002-000440	SCREW-TAPPING (M3XL8)	6	SNA	

9. HCF



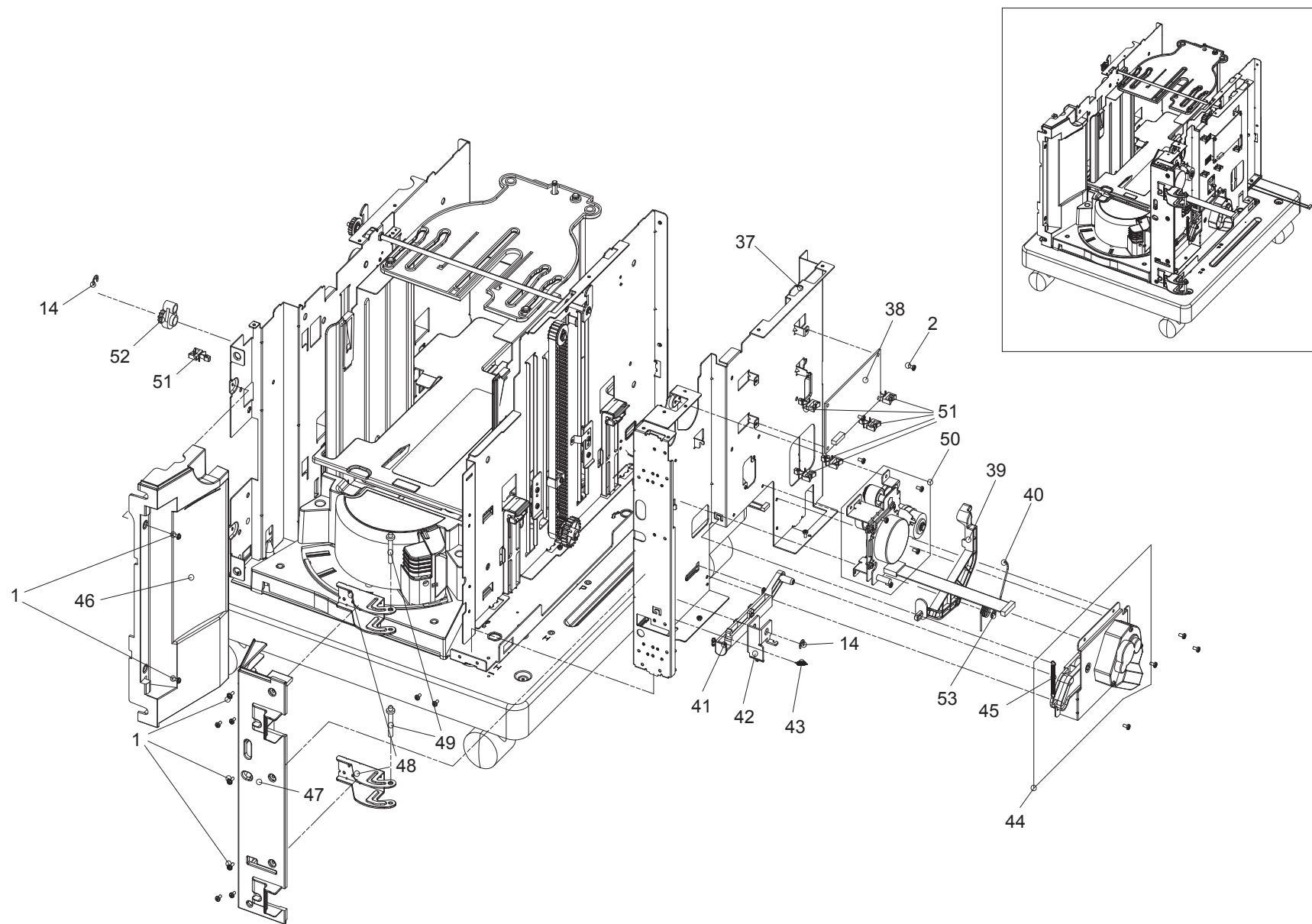
HCF Parts List

SA : SERVICE AVAILABLE, SNA : SERVICE not AVAILABLE

Drawer#	SEC_Code	Description	QT'y	Service	Remark
0	JC90-01058A	HCF	1	SNA	
1	ED11-00044A	ELA HOU-UPPER_HCF	10	SNA	
2	JC92-02093A	PBA SUB-SCF_COVER	1	SA	
3	JC66-00974A	GEAR-M_FORWARD	1	SA	
4	6107-001259	SPRING-ES	1	SA	
5	JC81-06314A	AS-GEAR_GUIDE_REAR	1	SA	
6	JC81-08895A	CSP-COVER-FRONT	1	SA	
7	JC81-08002A	CSP-BRKT-HINGE	1	SA	
8	JC81-08896A	CSP-COVER-SIDE_L	1	SA	

Drawer#	SEC_Code	Description	QT'y	Service	Remark
9	JC81-08897A	CSP-COVER-SIDE_R	1	SA	
10	JC81-08041B	CSP-COVER-REAR	1	SA	
11	JC81-06341A	AS-PTC_BOARD	1	SA	
12	ED51-00040A	CBF HARNESS-PTC	1	SA	
13	JC81-08924A	BRKT-SUPPORT HINGE	1	SNA	
14	JC81-08457A	HANDLE-LOCKER	1	SA	
15	JC81-08448A	BRKT-SPRING	1	SA	
16	6107-001259	SPRING-ES	1	SA	

9.1 HCF Sub1



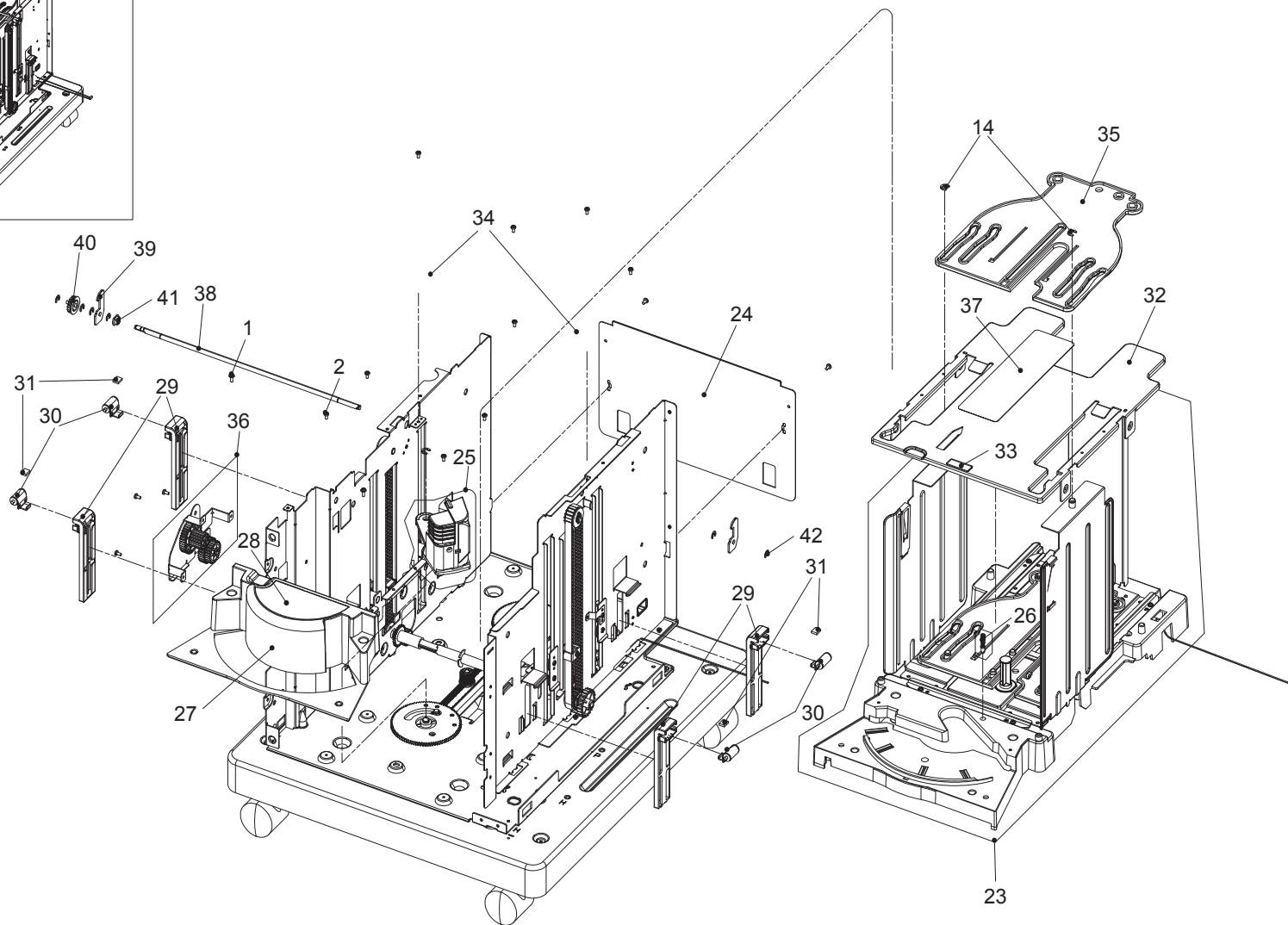
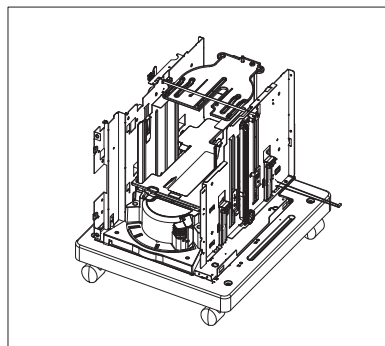
HCF Sub1 Parts List

SA : SERVICE AVAILABLE, SNA : SERVICE not AVAILABLE

Drawer#	SEC_Code	Description	QT'y	Service	Remark
37	JC81-08201A	CSP-PLATE-SIDE R	1	SNA	
38	JC92-02094B	PBA-SUB HCF	1	SA	
39	JC81-08155A	CSP-LEVER-ARM FRICTION	1	SNA	
40	ED31-00008A	SPRING-TS	1	SNA	
41	JC81-08156A	CSP-LEVER-MOTOR	1	SNA	
42	JC81-08009A	CSP-BRKT-LEVER-MOTOR	1	SNA	
43	ED31-00013A	SPRING-CS	1	SNA	
44	JC81-06316A	AS-UNIT_LIFT_MOTOR	1	SA	
45	6107-001259	SPRING-ES	1	SA	

Drawer#	SEC_Code	Description	QT'y	Service	Remark
46	JC81-08440B	COVER-DUMMY L	1	SNA	
47	JC81-08032B	COVER-DUMMY R	1	SNA	
48	JC81-08444A	CSP-HCF PLATE HINGE BRKT	2	SNA	
49	ED24-00012A	CSP-SHAFT-HINGE DOOR	2	SNA	
50	ED11-00004A	SUB-HCF DIRVE	1	SNA	
51	6502-001132	SADDLE	6	SNA	
52	JC66-01425B	MID TORQUE-DAMPER	1	SNA	
53	6044-000125	RING-E	1	SNA	

9.2 HCF Sub2



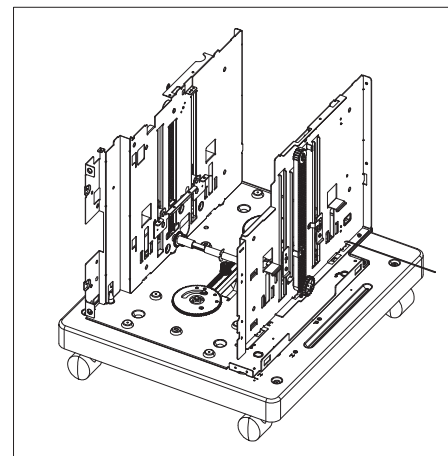
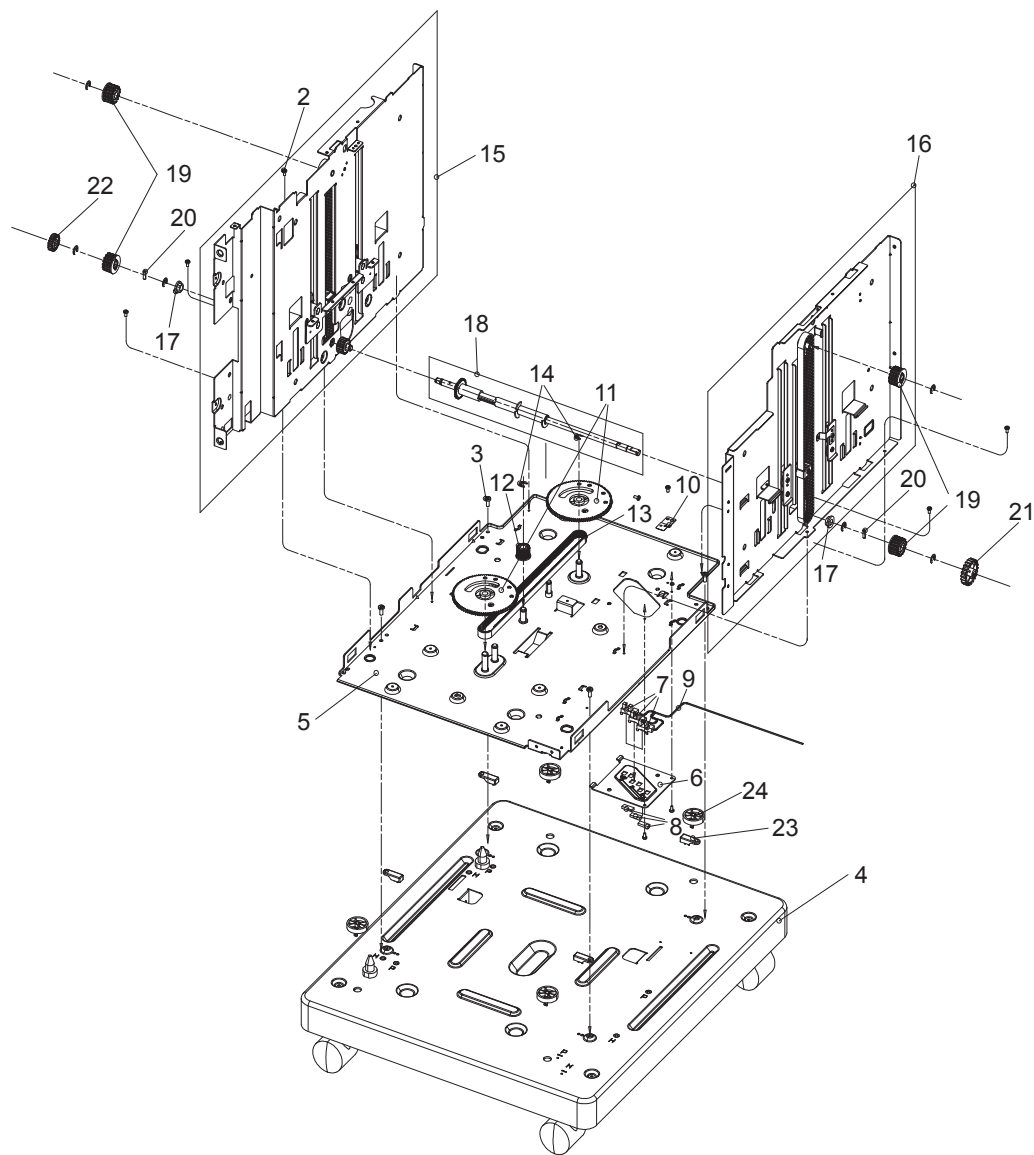
HCF Sub2 Parts List

SA : SERVICE AVAILABLE, SNA : SERVICE not AVAILABLE

Drawer#	SEC_Code	Description	QT'y	Service	Remark
23	ED11-00040A	AS-UNIT-CASSETTE HCF	1	SA	
24	JC81-08196A	CSP-PLATE-REAR	1	SNA	
25	ED11-00041A	AS-UNIT-GUIDE HANDLE	1	SA	
26	ED11-00042A	MEA UNIT-TERMINAL :TR	1	SNA	
27	JC81-08035C	CSP-COVER-INNER FRONT	1	SNA	
28	ED26-00002A	LABEL(L)-INSTALLATION	1	SNA	
29	JC81-06075A	AS-GUIDE SPRING ROLL	4	SA	
30	JC81-06074A	AS-UNIT SPRING ROLL	4	SA	
31	ED91-00021A	RUBBER-CUSHION	4	SNA	
32	JC81-08181A	CSP-PLATE-KNOCK UP	1	SNA	

Drawer#	SEC_Code	Description	QT'y	Service	Remark
33	JC69-00494A	PAD MP	1	SNA	
34	JC70-11028A	IPR-GROUND-TOP	2	SNA	
35	JC81-08131A	CSP-GUIDE-SIDE RAIL	1	SNA	
36	ED11-00043A	AS-UNIT-REDUCTION	1	SA	
37	ED26-00009A	SHEET-PAPER	1	SNA	
38	ED24-00034A	SHAFT-LOCK_HCF	1	SNA	
39	JC81-08468A	HOOK-LOOK	2	SNA	
40	JC81-08458A	GEAR-PINION	1	SNA	
41	ED91-00017A	BUSH-6_D(L5)	1	SNA	
42	6044-000125	RING-E	6	SNA	

9.3 HCF Sub3



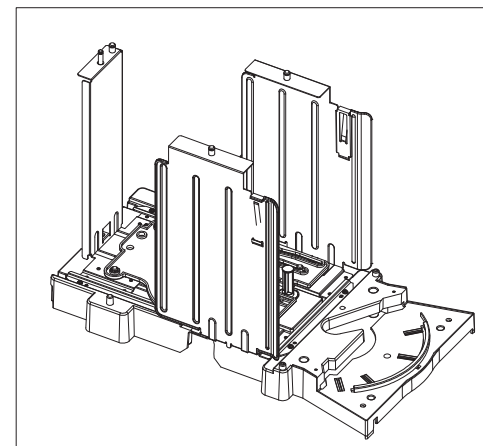
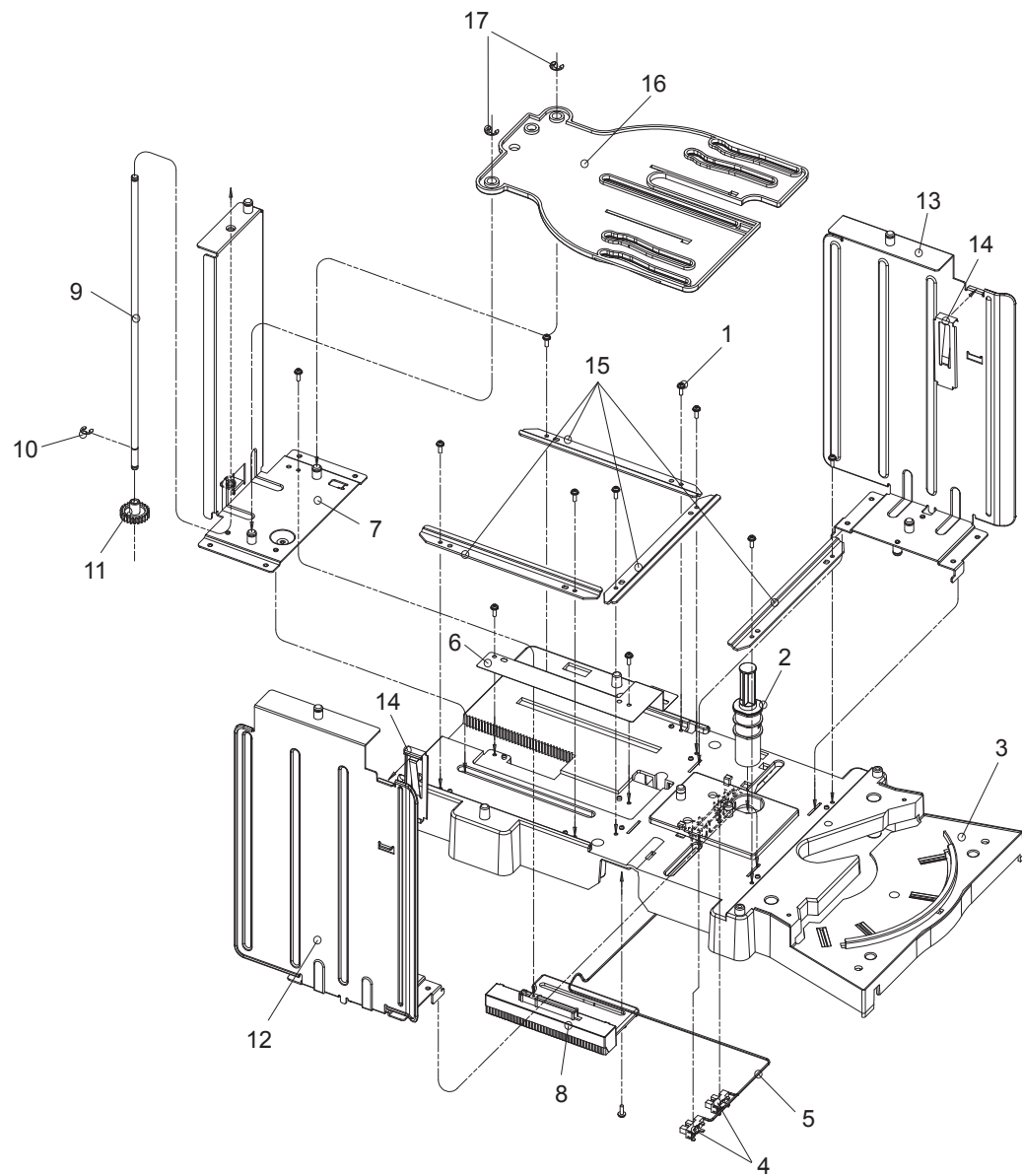
HCF Sub3 Parts List

SA : SERVICE AVAILABLE, SNA : SERVICE not AVAILABLE

Drawer#	SEC_Code	Description	QT'y	Service	Remark
1	6002-000440	SCREW-TAPPING	14	SNA	
2	6003-000269	SCREW-TAPTYPE	68	SNA	
3	ED32-00007A	SCREW-TAPTYPE	4	SNA	
4	JC98-01679D	CSP-UNIT STAND	1	SA	
5	JC81-08175A	CSP-PLATE-BOTTOM	1	SNA	
6	JC81-08004A	CSP-BRKT-HOLDER SENSOR	1	SNA	
7	0604-001095	PHOTO-INTERRUPTER	3	SA	
8	ED91-00018A	RUBBER-PHOTO	3	SNA	
9	ED51-00006A	CBF HARNESS-PAPER SIZE	1	SNA	
10	JC63-00675A	GROUND-P-PAPER_SIZE	1	SNA	
11	JC81-06326A	CSP-GEAR-PULLEY_FRONT	2	SA	
12	JC81-08209A	CSP-PULLEY-LOWER BELT	1	SNA	

Drawer#	SEC_Code	Description	QT'y	Service	Remark
13	ED91-00036A	TIMING BELT_S5M	1	SA	
14	6044-000129	RING-E	11	SNA	
15	ED11-00038A	AS-UNIT-LIFT_L	1	SA	
16	ED11-00039A	AS-UNIT-LIFT_R	1	SA	
17	JC61-00426A	BUSH-8/5	2	SNA	
18	JC81-06312A	AS-UNIT-PAPER LEVEL	1	SA	
19	JC81-08209A	PULLEY-LOWER BELT	4	SNA	
20	ED91-00006A	SPRING-PIN PULLEY	2	SNA	
21	JC81-06327A	AS-GEAR LIFT	1	SA	
22	JC66-00854A	GEAR-M-EXIT DUP Z21	1	SNA	
23	JC81-08927A	CSP-SPACER_STAND	4	SNA	
24	JC81-08926A	CSP-FOOT_STAND	4	SNA	

9.4 HCF Sub4



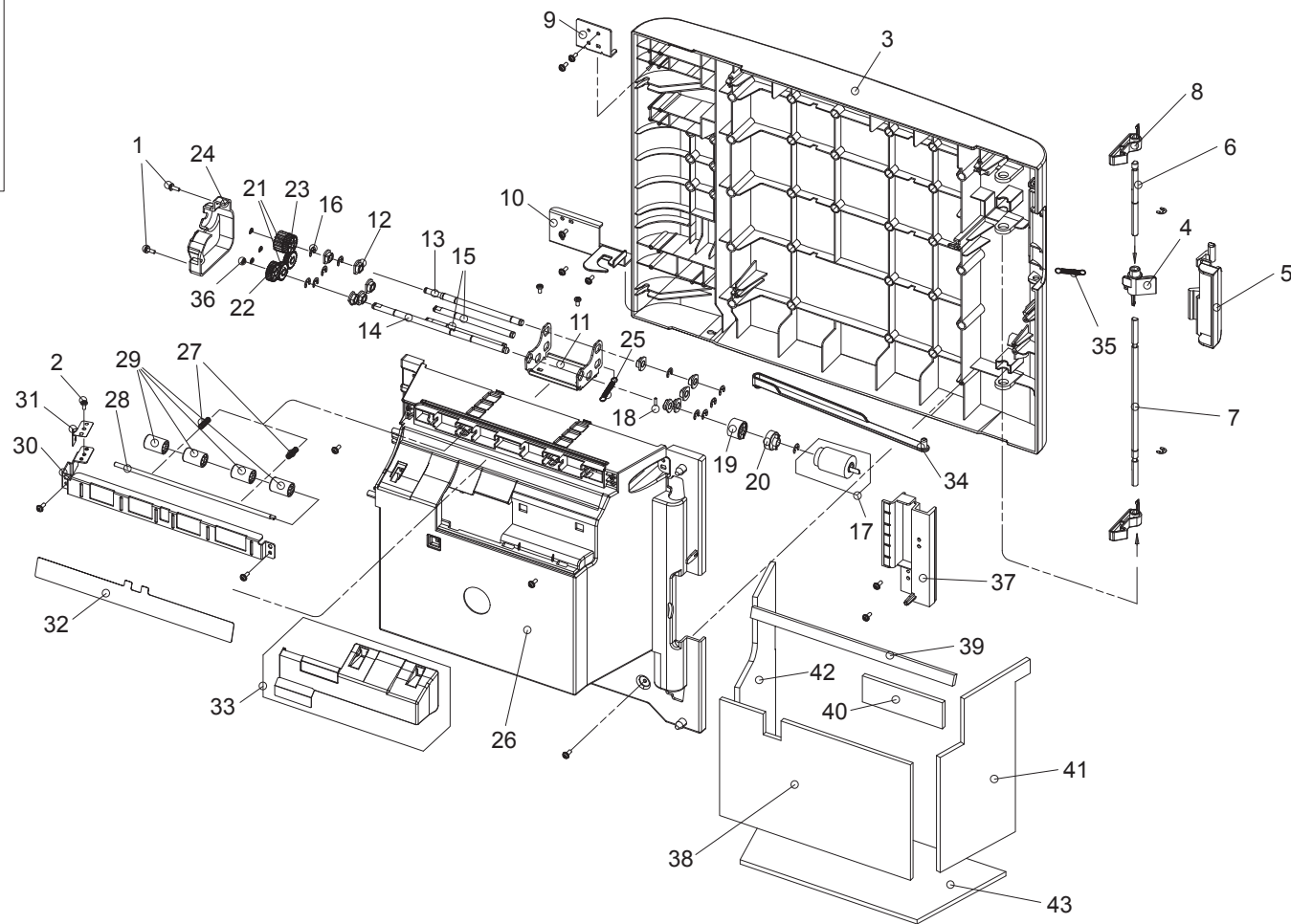
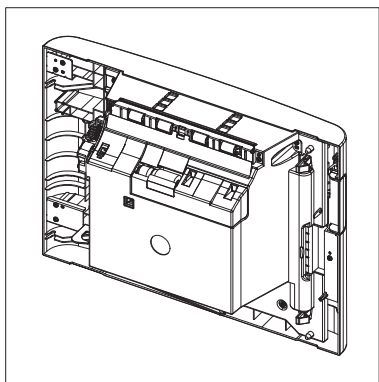
HCF Sub4 Parts List

SA : SERVICE AVAILABLE, SNA : SERVICE not AVAILABLE

Drawer#	SEC_Code	Description	QT'y	Service	Remark
0	ED11-00040A	AS-UNIT-CASSETTE_HCF	1	SA	
1	6002-000440	SCREW-TAPPING	12	SNA	
2	JC66-01932B	DAMPER-OPEN	1	SNA	
3	JC81-08085C	CSP-FRAME-CASSETTE	1	SNA	
4	0604-001095	PHOTO-INTERRUPTER	2	SA	
5	ED51-00004A	CBF HARNESS-PAPER LEVEL	1	SNA	
6	JC81-08105A	CSP-GROUND-REAR HCF	1	SNA	
7	JC81-08195A	CSP-PLATE-PAPER REAR	1	SNA	
8	JC82-08213A	CSP-RACK-GEAR REAR	1	SNA	

Drawer#	SEC_Code	Description	QT'y	Service	Remark
9	ED24-00007A	SHAFT-GUIDE REAR	1	SNA	
10	6044-000231	RING-E	1	SNA	
11	JC81-06314A	AS-GEAR_GUIDE REAR	1	SA	
12	JC81-08191A	CSP-PLATE-PAPER SIDE L	1	SNA	
13	JC81-08193A	CSP-PLATE-PAPER SIDE R	1	SNA	
14	JC70-10929A	IPR-SPR PLATE G/SIDE	2	SNA	
15	JC81-08718A	CSP-PLATE-GUIDE RAIL	4	SNA	
16	JC81-08131A	CSP-GUIDE-SIDE RAIL	1	SNA	
17	6044-000129	RING-E	2	SNA	

9.5 HCF Sub5



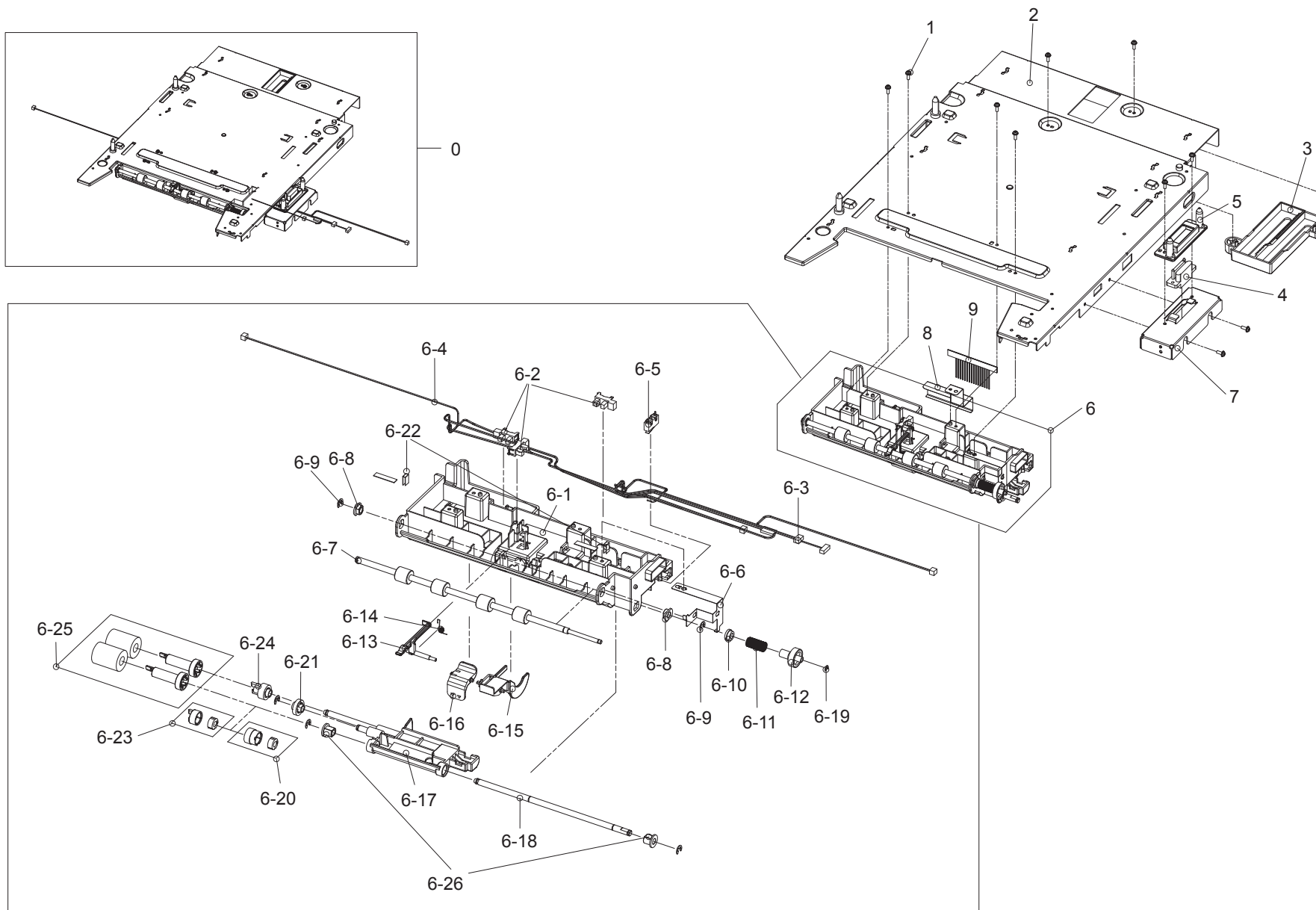
HCF Sub5 Parts List

SA : SERVICE AVAILABLE, SNA : SERVICE not AVAILABLE

Drawer#	SEC_Code	Description	QT'y	Service	Remark
0	ED11-00045A	AS-UNIT-DOOR_FRONT	1	SA	
1	6002-000440	SCREW-TAPPING	11	SNA	
2	6003-000269	SCREW-TAPTYPE	4	SNA	
3	JC81-08895A	CSP-COVER-FRONT	1	SNA	
4	JC66-02200A	LEVER-HANDLE CST	1	SNA	
5	JC81-08437B	CSP-HANDLE-DOOR	1	SNA	
6	ED24-00033A	SHAFT-HINGE L	1	SNA	
7	ED24-00032A	SHAFT-HINGE R	1	SNA	
8	JC64-00482A	LOCKER-CASSETTE	2	SNA	
9	JC81-08002A	CSP-BRKT-HINGE	1	SNA	
10	JC81-08446A	CSP-HCF BRKT HINGE GEARED	1	SNA	
11	JC81-08013A	CSP-BRKT-RETARD	1	SNA	
12	ED91-00017A	BUSH-6_D	10	SNA	
13	ED24-00009A	SHAFT-RETARD M	1	SNA	
14	ED24-00010A	SHAFT-RETARD S	1	SNA	
15	ED24-00014A	SHAFT-RETARD I	2	SNA	
16	6044-000125	RING-E	1	SNA	
17	JC97-02259A	MEA UNIT-ROLLER PU	1	SA	
18	JC66-00939A	SHAFT-LOCK	1	SNA	
19	JC67-00126A	COUPLER-TORQUE LIMITER	1	SA	
20	JC66-00976A	JOINT-M_RETARD	1	SNA	
21	JC66-01667A	GEAR_CLUTCH	2	SNA	
22	JC81-08095A	CSP-GEAR-RETARD_ACT	1	SNA	

Drawer#	SEC_Code	Description	QT'y	Service	Remark
23	JC81-08096A	CSP-GEAR-RETARD CON	1	SNA	
24	JC81-08046C	COVER-RETARD_GEAR	1	SNA	
25	ED31-00014A	SPRING-ES	1	SNA	
26	JC81-08044C	COVER-RETARD	1	SNA	
27	JC61-70959B	SPRING-ETC-FEED	2	SNA	
28	JC66-00661A	SHAFT-EXIT IDLE	1	SNA	
29	JC66-01022B	ROLLER-M_IDLE SCF	4	SNA	
30	JC81-08200A	CSP-PLATE-ROLLER GUIDE	1	SNA	
31	JC63-00824A	GROUND-P-DOOR INNER	1	SNA	
32	ED26-00004A	SHEET-GUIDE FILM HCF	1	SNA	
33	JC81-06325B	AS-SUB-RETARD_DUMMY	1	SA	
34	JC81-08159C	LINK-DOOR OPEN	1	SNA	
35	6107-001761	SPRING-ES	1	SNA	
36	6044-000159	RING-C	4	SNA	
37	JC81-08439B	CSP-COVER_FRONT_DUMMY	1	SNA	
38	ED91-00043A	SOUNDPROOF-SHEET-FRONT	1	SNA	
39	ED91-00044A	SOUNDPROOF-SHEET-FRONT DUMMY LONG	1	SNA	
40	ED91-00045A	SOUNDPROOF-SHEET-FRONT DUMMY SHORT	1	SNA	
41	ED91-00038A	SOUNDPROOF-SHEET-LEFT	1	SNA	
42	ED91-00039A	SOUNDPROOF-SHEET-RIGHT	1	SNA	
43	ED91-00040A	SOUNDPROOF-SHEET-BOTTOM	1	SNA	

9.6 HCF Sub6



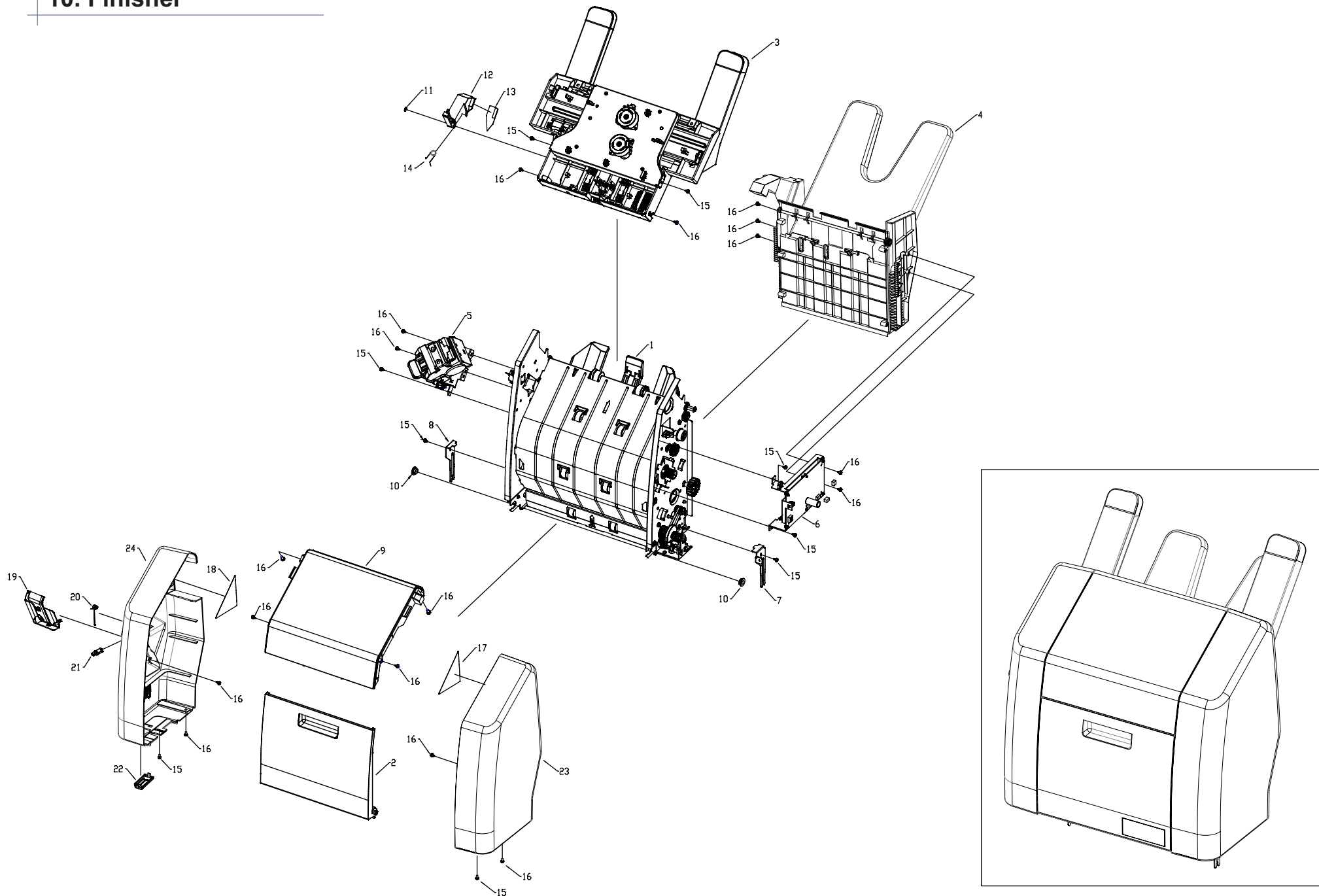
HCF Sub6 Parts List

SA : SERVICE AVAILABLE, SNA : SERVICE not AVAILABLE

Drawer#	SEC_Code	Description	QT'y	Service	Remark
0	ED11-00044A	ELA HOU-UPPER HCF	1	SNA	
1	6002-000440	SCREW-TAPPING	10	SNA	
2	JC81-08205B	CSP-PLATE-TOP HCF	1	SNA	
3	JC81-08132A	CSP-GUIDE-TOP REAR_DUMMY	1	SNA	
4	ED51-00041A	AS-CBF-HARNESS_HCF	1	SA	
5	JC61-01742A	HOLDER-CONNECTOR_SCF	1	SA	
6	JC81-06321B	AS-UNIT-PICK_UP	1	SA	
6-1	ED11-00046A	CSP-FRAME-BASE_PICK UP	1	SNA	
6-2	JC81-08083A	PHOTO-INTERRUPTER	1	SA	
6-3	0604-001095	CBF HARNESS-SENSOR	3	SNA	
6-4	ED51-00009A	CBF HARNESS-COVER OPEN	1	SNA	
6-5	ED51-00010A	HARNESS-MOTOR_SW	1	SNA	
6-6	JC81-08106A	CSP-GROUND-SHAFT PU	1	SNA	
6-7	ED24-00013A	ROLLER-HCF DRV	1	SNA	
6-8	ED91-00017A	BUSH-6_D	2	SNA	
6-9	6044-000125	RING-E	5	SNA	
6-10	JG72-40732A	PMO-BUSHING HOLDER	1	SNA	
6-11	JC61-00062A	SPRING ETC-CLUTCH	1	SNA	

Drawer#	SEC_Code	Description	QT'y	Service	Remark
6-12	JC66-00964A	GEAR-M_FEED SCF	1	SA	
6-13	JC66-01275A	ACTUATOR-FEED	1	SNA	
6-14	6107-001261	SPRING-TS	1	SNA	
6-15	JC61-01350A	LEG-M_ACT NO PAPER	1	SNA	
6-16	JC81-06322A	AS-LIMITIED PAPER	1	SA	
6-17	JC61-01299A	GUIDE-M_UPPER PICK UP	1	SNA	
6-18	ED24-00008A	SHAFT-PICK UP	1	SNA	
6-19	6044-000159	RING-C	1	SNA	
6-20	JC97-02291A	MEA UNIT-GEAR ONE WAY	1	SNA	
6-21	JC66-00940A	GEAR-M_IDLE PU	1	SNA	
6-22	ED91-00022A	PORON PICK UP	2	SNA	
6-23	JC97-02292A	MEA UNIT-IDLE FORWARD	1	SNA	
6-24	JC66-00943A	GEAR-M PU JOINT	1	SNA	
6-25	JC97-02259A	MEA UNIT-ROLLER PU	2	SA	
6-26	JC61-00884A	BUSH-6_D	2	SNA	
7	JC81-08447A	CSP-HCF BRKT CONNECTOR	1	SA	
8	JC81-08925A	CSP-GROUND PICKUP HCF	1	SA	
9	JC67-00468A	BRUSH-PICK	1	SA	

10. Finisher



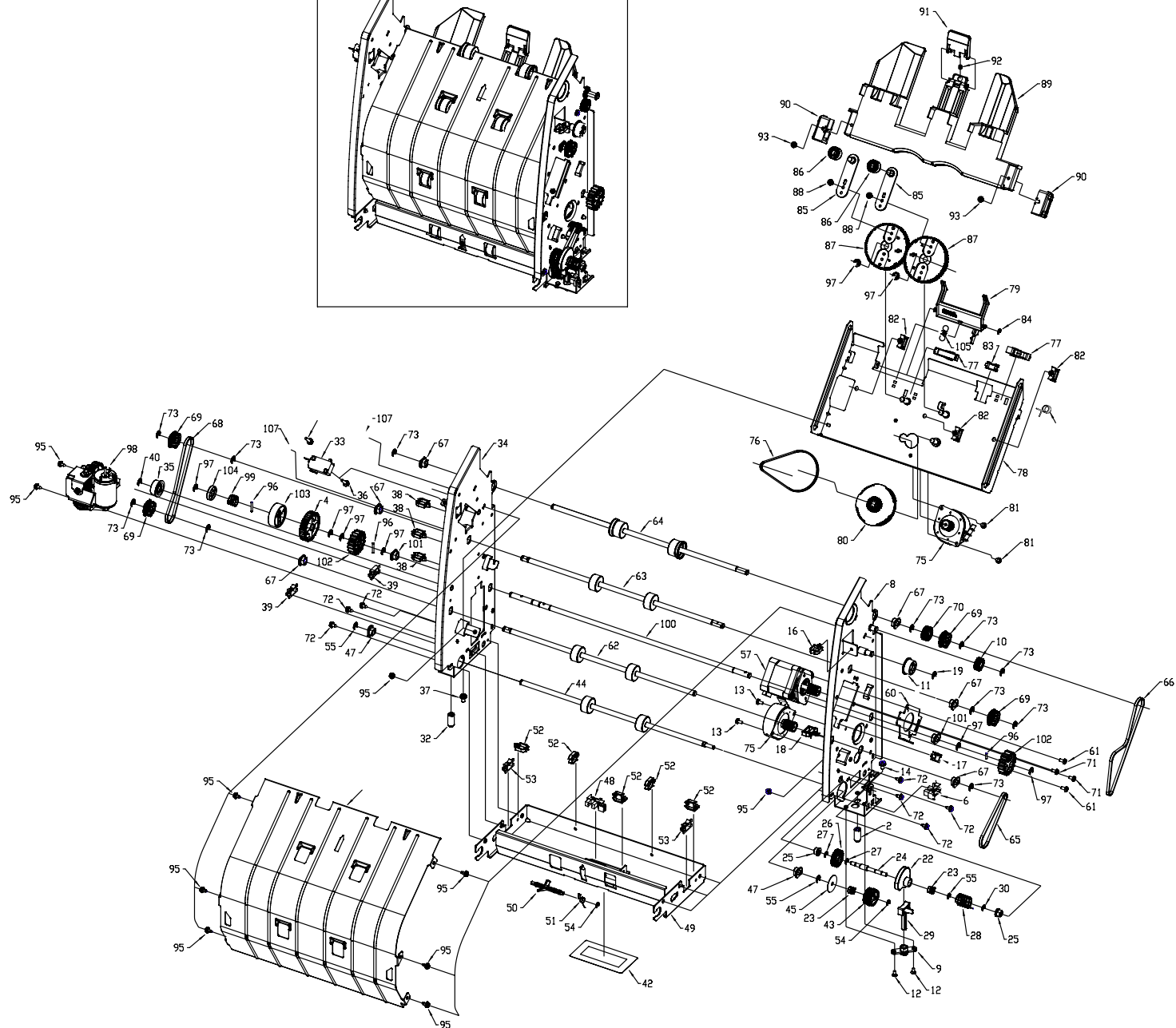
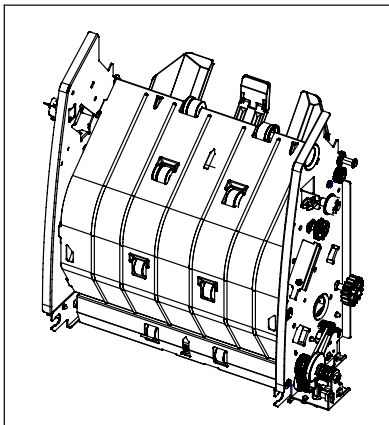
Finisher Parts List

SA : SERVICE AVAILABLE, SNA : SERVICE not AVAILABLE

Drawer#	SEC_Code	Description	QT'y	Service	Remark
1	HF10 1101	FRAME TOTAL ASS'Y	1	SNA	
2	HF10 2115	JAM GUIDE ASS'Y	1	SNA	
3	HF10 3111	TAMPER TOTAL ASS'Y	1	SNA	
4	HFLO 5115	STACKER SHIELD TRAY ASS'Y	1	SNA	
5	HFLO 5175	STAPLER ASS'Y	1	SNA	
6	HFLO 8101	PCB ASS'Y	1	SNA	
7	JC81-08527A	CSP-FRAME DOCKING FRONT	1	SA	
8	JC81-08529A	CSP-FRAME DOCKING REAR	1	SA	
9	JC81-08568A	CSP-COVER TOP	1	SA	
10	JC61-00426A	BUSH:8/5	2	SA	
11	1720 0040G	E-RING:Φ4	1	SNA	
12	JC81-08561A	CSP-GUIDE UPPER STAPLER	1	SA	
13	HF10 5911A	MYLAR GUIDE UPPER STAPLER	1	SNA	

Drawer#	SEC_Code	Description	QT'y	Service	Remark
14	HF10 5610A	SPRING SAFETY	1	SNA	
15	0451 3006N	HEXAGON HEADED SCREW:M3*6:T3	9	SNA	
16	0450 4010N	HEXAGON HEADED SCREW: M4*10: T3	16	SNA	
17	HF10 6811A	LABEL COVER FRONT	1	SNA	
18	HF10 6821A	LABEL COVER REAR	1	SNA	
19	JC81-08569A	COVER DOOR STAPLER	1	SA	
20	HF10 6612A	T-SPRING STAPLE DOOR	1	SNA	
21	HF10 6912A	LOCKER LATCH DC	1	SNA	
22	JC81-07284A	COVER DRAW CN FRAME	1	SA	
23	JC81-08564A	COVER FRONT	1	SA	
24	JC81-08567A	COVER REAR	1	SA	

10.1 FRAME TOTAL ASS'Y



Finisher Sub1 Parts List

SA : SERVICE AVAILABLE, SNA : SERVICE not AVAILABLE

Drawer#	SEC_Code	Description	QT'y	Service	Remark
1	HF10 1101	FRAME TOTAL ASS'Y	1	SNA	
2	HF10 1415	STUD MOUNT HF	1	SNA	
3	JC81-03478A	ASS'Y PM MOTOR S2M20T	1	SA	
4	JC81-08577A	CSP-GEAR LATCH STACKER	1	SA	
5	JC81-08533A	CSP-GUIDE FEED INNER	1	SA	
6	JC81-07420A	AS-SENSOR KIT5011C	1	SA	
7	JC81-07726A	CSP-BKT EARTH MOTOR	1	SA	
8	JC81-08524A	CSP-SIDE PLATE FRONT	1	SA	
9	JC81-08544A	CSP-BUSH GUIDE DIVERTER ACTUATOR	1	SA	
10	JC81-08571A	CSP-GEAR M08 Z18	1	SA	
11	SJ10 2312	ROLLER TIGHTNER	2	SNA	
12	0323 0060N	COUNTERSINK SCREW:M3*6:PC	2	SNA	
13	0353 0060N	BIND HEADED SCREW:M3*6:PC	2	SNA	
14	0360 4006N	HEXAGON HEADED SCREW:M4*6:PC	1	SNA	
15	0451 3006N	HEXAGON HEADED SCREW:M3*6:T3	2	SNA	
16	1105 0232	MICRO WIRE SADDLE	1	SNA	
17	1105 0328	COVER SADDLE:DS-1	2	SNA	
18	1105 0310	SIDE LOCKING SADDLE	2	SNA	
19	1720 0040G	E-RING:Φ4	1	SNA	
20	HF10 2134	DIVERTER CAM GEAR ASS'Y	1	SNA	
21	HF10 2136	DIVERTER CAM ASS'Y	1	SNA	
22	JC81-08542A	CSP-CAM ACTUATOR DIVERTER	1	SA	
23	SJ10 2506	ONE-WAY BEARING HF0406KFR	2	SNA	
24	HF10 2455	SHAFT CAM DIVERTER ACTUATOR	2	SNA	
25	JC61-00424A	BUSH-4D	1	SA	
26	JC81-08573A	CSP-GEAR M08 Z25	3	SA	
27	1720 0030G	E-RING:Φ3	1	SNA	

Drawer#	SEC_Code	Description	QT'y	Service	Remark
28	HF10 2633	C-SPRING DIVERTER	1	SNA	
29	JC81-08541A	CSP-ACTUATOR DIVERTER DRIVE	1	SA	
30	1720 0030G	E-RING:Φ3	1	SNA	
31	HF10 1115	REAR FRAME ASS'Y	1	SNA	
32	HF10 1415	STUD MOUNT HF	1	SNA	
33	MSW3 3143	MICRO SWITCH VP333A-4D	1	SNA	
34	JC81-08526A	CSP-SIDE PLATE REAR	1	SA	
35	SJ10 2312	ROLLER TIGHTNER	1	SNA	
36	0360 3014N	HEXAGON HEADED SCREW:M3*14:PC	2	SNA	
37	0360 4006N	HEXAGON HEADED SCREW:M4*6:PC	4	SNA	
38	1105 0232	MICRO WIRE SADDLE	2	SNA	
39	1105 0328	COVER SADDLE:DS-1	1	SNA	
40	1720 0040G	E-RING:Φ4	1	SNA	
41	HF10 1117	BASE FRAME ASS'Y	1	SNA	
42	HF10 1825	LABEL COVER LOWER BASE	1	SNA	
43	HF10 2151	ENT PULLET GEAR ASS'Y	1	SNA	
44	JC81-08578A	CSP-ROLLER FEED ENTRANCE	1	SNA	
45	HF10 2813	MYLAR FLANGE ENT ROLLER	1	SNA	
46	HF10 8305	MH ASS'Y ETC	2	SNA	
47	JC61-00423A	BUSH-6D	1	SA	
48	JC81-07420A	AS-SENSOR KIT5011C	1	SA	
49	JC81-08528A	CSP-BASE LOWER	1	SA	
50	JC81-08540A	CSP-ACTUATOR PAPER PATH	1	SA	
51	SJ10 2682	T-SPRING ACTUATOR FEED	5	SNA	
52	1105 0232	MICRO WIRE SADDLE	2	SNA	
53	1105 0328	COVER SADDLE:DS-1	2	SNA	
54	1720 0030G	E-RING:Φ3	2	SNA	
55	1720 0040G	E-RING:Φ4	1	SNA	

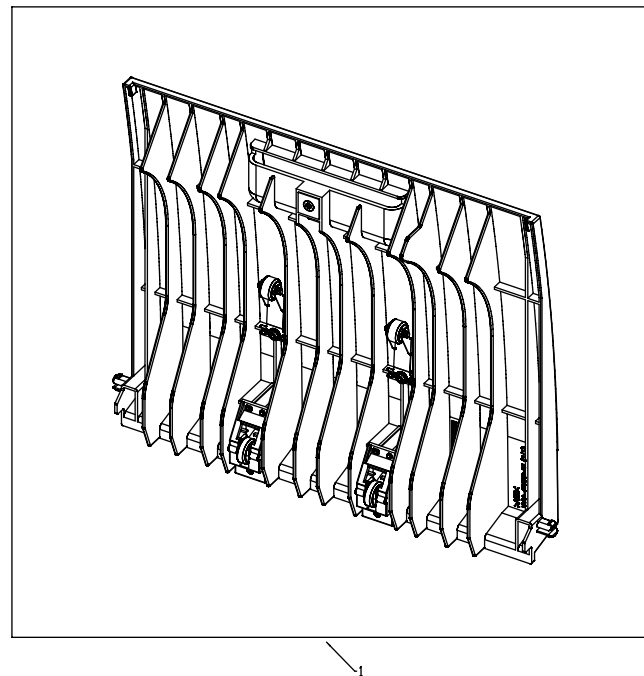
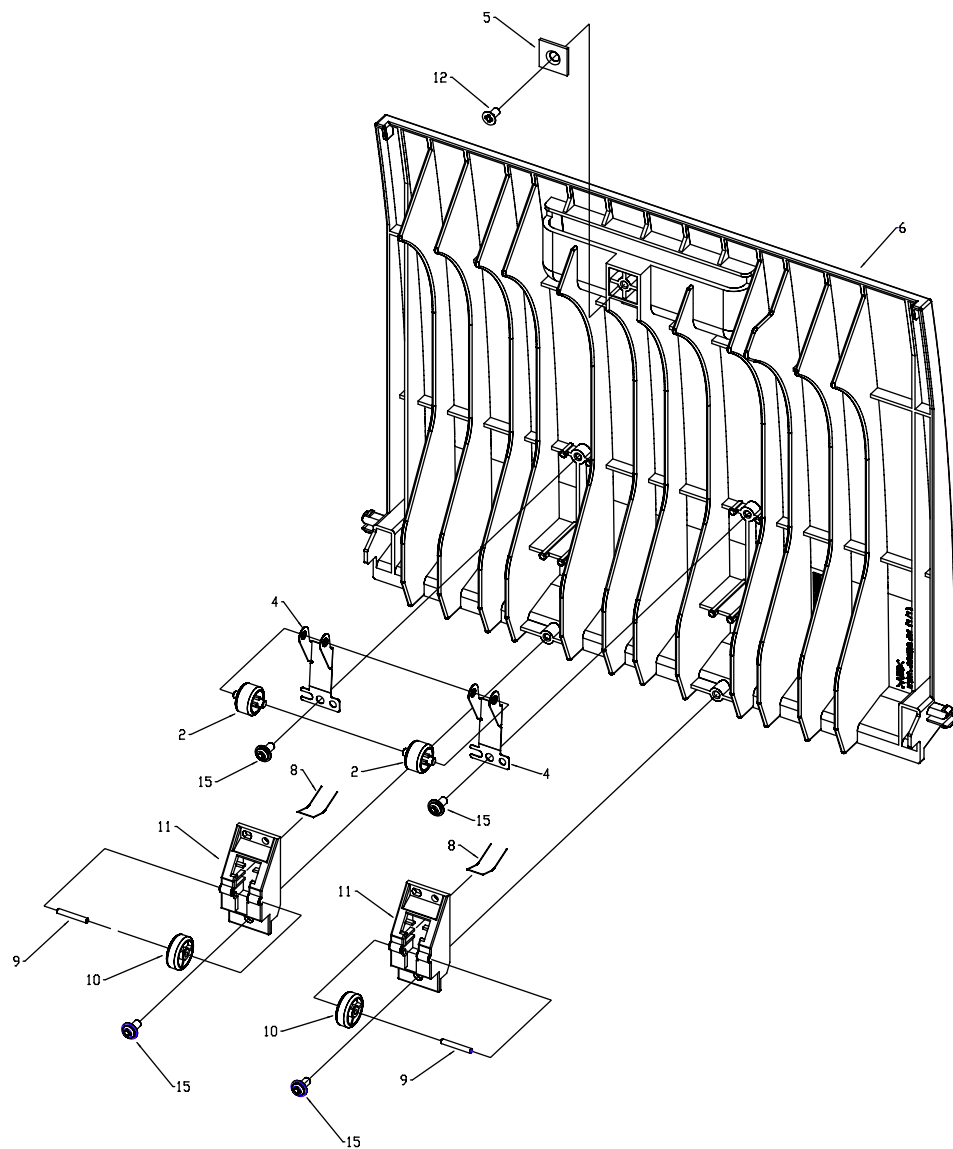
FRAME TOTAL ASS'Y Parts List

SA : SERVICE AVAILABLE, SNA : SERVICE not AVAILABLE

Drawer#	SEC_Code	Description	QT'y	Service	Remark
56	HF10 2125	EXIT MOTOR ASS'Y	1	SNA	
57	JC81-03479A	ASS'Y HB MOTOR S2M19T	1	SA	
58	0420 0110	CUSHION STEPPING MOTOR 42	1	SNA	
59	SJ10 2324	TIMING PULLEY T18 MOTOR FEED	1	SNA	
60	JC81-08532A	CSP-BKT MOTOR EXIT	2	SA	
61	0353 0060N	BIND HEADED SCREW:M3*6:PC	1	SNA	
62	JC81-08579A	CSP-ROLLER FEED MIDDLE LOWER	1	SA	
63	JC81-08580A	CSP-ROLLER FEED MIDDLE UPPER	1	SA	
64	JC81-08581A	CSP-ROLLER FEED EXIT	1	SA	
65	B2M0 3084S	AS-BELT B30S2M168	1	SNA	
66	B2M0 3145S	AS-BELT B30S2M290	6	SNA	
67	JC61-00423A	BUSH-6D	1	SA	
68	JC81-03516A	B30S2MS44 EXIT ROLLER	4	SA	
69	JC81-03517A	PULLEY T30S2M D-CUT	1	SA	
70	JC81-08572A	CSP-GEAR M08 Z20	2	SA	
71	0353 0060N	BIND HEADED SCREW:M3*6:PC	6	SNA	
72	0451 3006N	HEXAGON HEADED SCREW:M3*6:T3	10	SNA	
73	1720 0040G	E-RING:Φ4	1	SNA	
74	HF10 4111	EXTENSION TRAY TOTAL ASS'Y	1	SNA	
75	JC81-03478A	ASS'Y PM MOTOR S2M20T	1	SA	
76	JC81-07256A	AS-BELT B30S2M200	2	SA	
77	JC81-07420A	AS-SENSOR KIT5011C	1	SA	
78	JC81-08535A	CSP-BASE EXTENSION TRAY	1	SA	
79	JC81-05881A	CSP-ACTUATOR STACKER LEVER	1	SA	
80	JC81-08575A	CSP-GEAR DOUBLE M08Z21/ S2M80T	2	SA	
81	0353 0060N	BIND HEADED SCREW:M3*6:PC	3	SNA	
82	1105 0328	COVER SADDLE:DS-1	3	SNA	

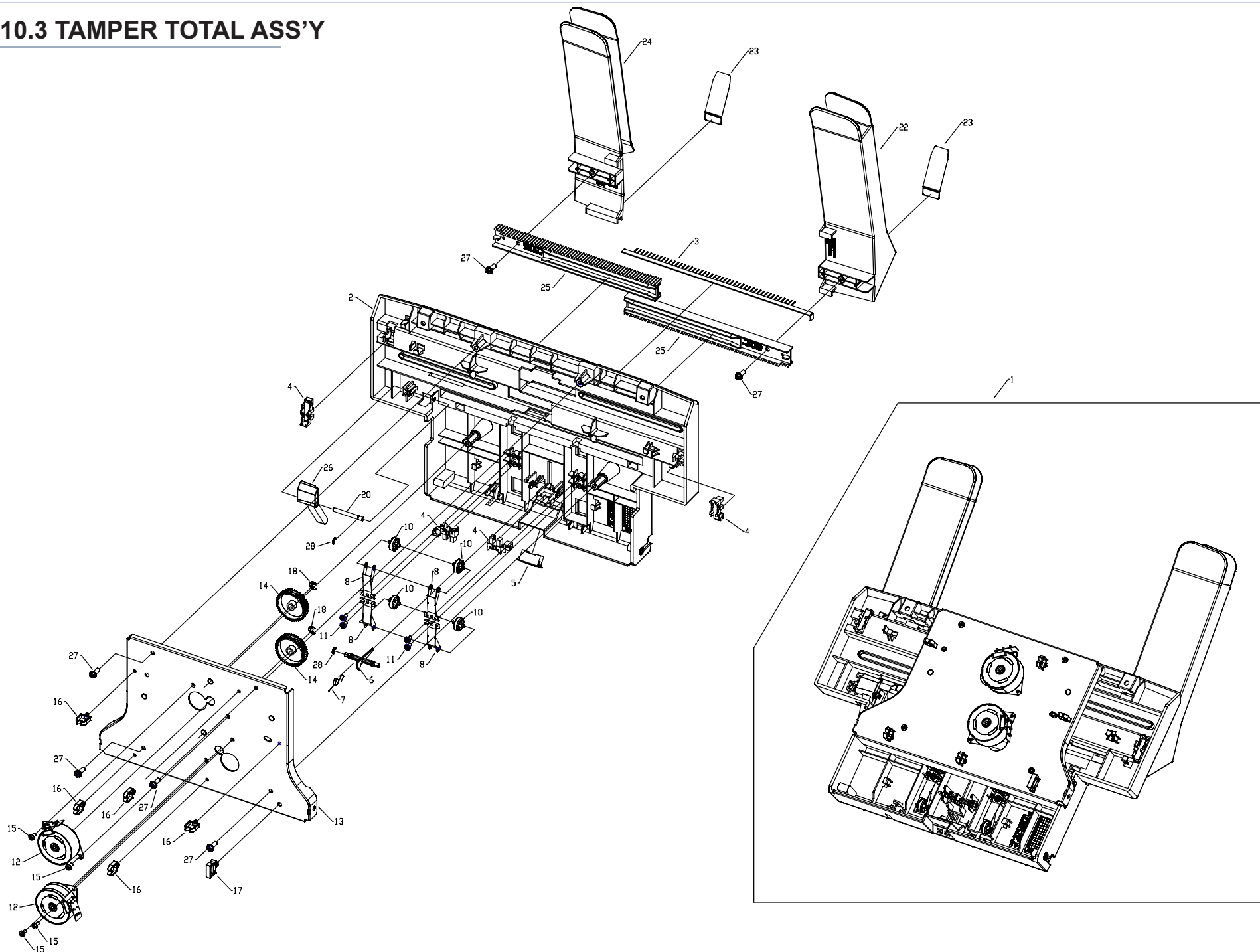
Drawer#	SEC_Code	Description	QT'y	Service	Remark
83	1105 0310	SIDE LOCKING SADDLE	1	SNA	
84	1720 0030G	E-RING:Φ3	2	SNA	
85	JC81-08536A	CSP-BKT CAM ROTATE EXIT TRAY	2	SA	
86	JC81-08553A	CSP-ROLLER ROTATE EXIT TRAY	2	SA	
87	JC81-08576A	CSP-GEAR EXIT TRAY	2	SA	
88	0965 3006N	PAN WASHER HEADED SCREW:M3*6:T2	1	SNA	
89	JC81-08550A	CSP-TRAY EXTENSION	2	SA	
90	JC81-08552A	CSP-BUSH SLIDE GUIDE EXIT TRAY	2	SA	
91	JC81-09050A	CSP-SUB TRAY EXTENSION	1	SA	
92	HF10 4614	C-SPRING EXIT TRAY	1	SNA	
93	0965 3008N	PAN WASHER HEADED SCREW:M3*8:T2	2	SNA	
94	HF10 4612	T-SPRING EXT CAM	2	SNA	
95	0451 3006N	HEXAGON HEADED SCREW:M3*6:T3	10	SNA	
96	P632 0140G	PARALLEL PIN:Φ2*4	3	SNA	
97	1720 0040G	E-RING:Φ4	8	SNA	
98	HF10 5155	STACKER DRIVING ASS'Y	1	SNA	
99	CF10 6502	C-SPRING LATCH	1	SNA	
100	HF10 5426	SHAFT MAIN STACKER	1	SNA	
101	JC61-00423A	BUSH-6D	2	SA	
102	JC81-03492A	PINION GEAR 18T	2	SA	
103	JC81-08558A	CSP-ROLLER LATCH STACKER	1	SA	
104	JC81-08559A	CSP-FLANGE LATCH SPRING STACKER	1	SA	
105	HF10 4616A	E-SPRING ACTUATOR STACK LEVEL	1	SNA	
106	HF10 4612A	T-SPRING SUPPORT CAM	1	SNA	
107	HF10 5931A	DAMPER SAFETY	1	SNA	

10.2 JAM GUIDE ASS'Y



Drawer#	SEC_Code	Description	QT'y	Service	Remark
1	HF10 2115	JAM GUIDE ASS'Y	1	SNA	
2	JC81-08609A	CSP-ROLLER IDLE D12	2	SA	
3	G501 0010	GREASE G501	0.02	SNA	
4	SJ10 2202	LEAF SPRING FEED	2	SNA	
5	JC81-07732A	CSP-MAGNET CATCH PLATE TB	1	SA	
6	JC81-08539A	CSP-GUIDE LEFT JAM CLEAR	1	SA	
7	JR10 1183	BKT IDLE FEED SUB ASS'Y	2	SNA	
8	JC81-07272A	AS-T SPRING GUIDE M/B	2	SA	
9	P632 0140G	PARALLEL PIN:Φ2*14	2	SNA	
10	SJMB 2306	ROLLER IDLE FEED	2	SNA	
11	JR10 2306	BKT IDLE FEED	2	SNA	
12	0323 0062N	COUNTERSINK SCREW:M3*6:T2	1	SNA	
13	0965 3006N	PAN WASHER HEADED SCREW:M3*6:T2	4	SNA	

10.3 TAMPER TOTAL ASS'Y



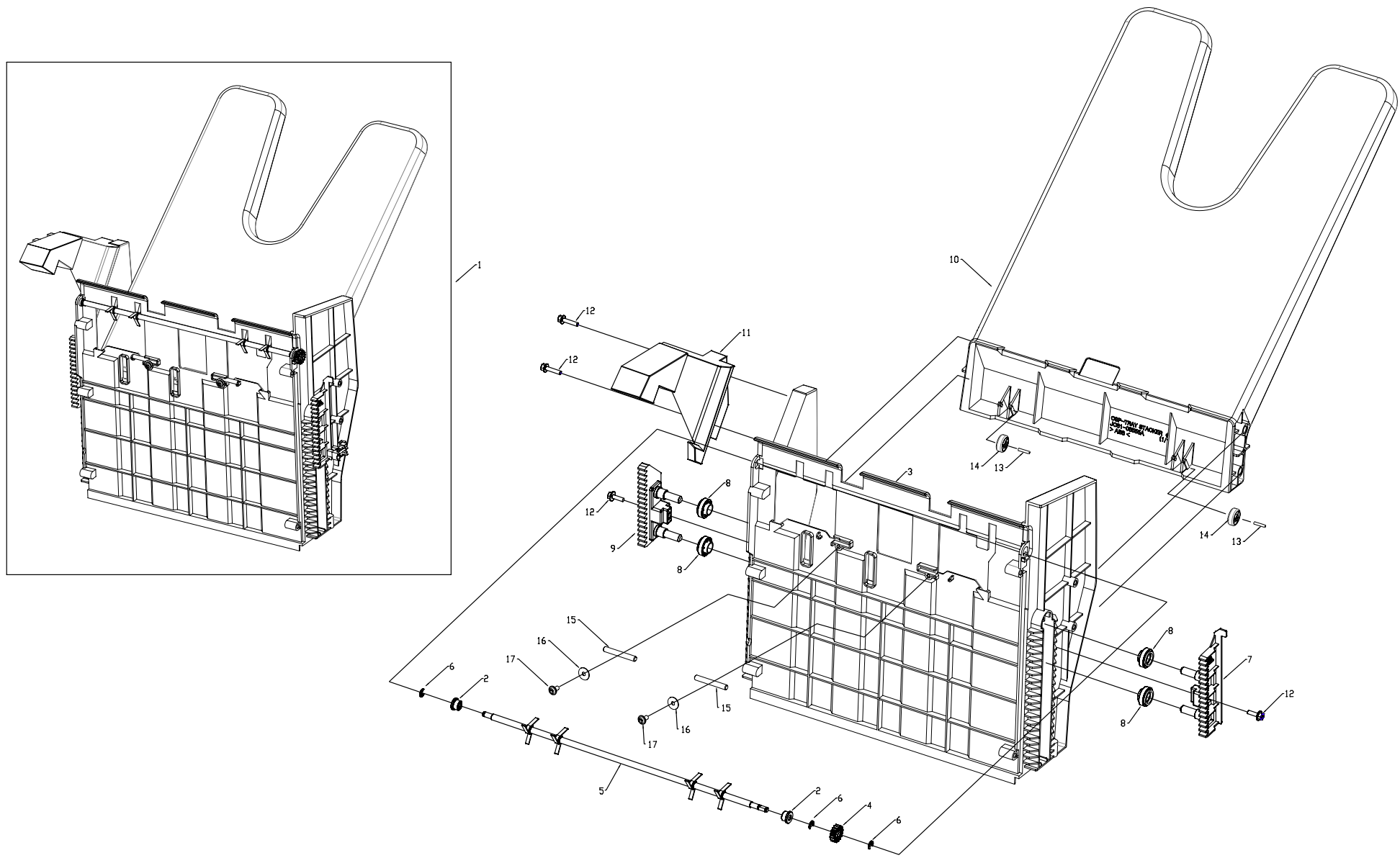
TAMPER TOTAL ASS'Y Parts List

SA : SERVICE AVAILABLE, SNA : SERVICE not AVAILABLE

Drawer#	SEC_Code	Description	QT'y	Service	Remark
1	HF10 3111	TAMPER TOTAL ASS'Y	1	SNA	
2	JC81-08545A	CSP-BASE TAMPER	1	SA	
3	JC81-07266A	AS-ANTI STATIC BRUSH	1	SA	
4	JC81-07420A	AS-SENSOR KIT5011C	4	SA	
5	JC81-7247A	AS-MAGNET BY3-32-1	1	SA	
6	SJ10 2384	ACTUATOR FEED	1	SNA	
7	SJ10 2682	GREASE G501	1	SNA	
8	SJ10 2202	ROLLER IDLE FEED	4	SNA	
9	G501 0010	PAN WASHER HEADED SCREW:M3*6:T2	0.08	SNA	
10	SJ10 2302	ROLLER IDLE FEED	4	SNA	
11	0965 3006N	PAN WASHER HEADED SCREW:M3*6:T2	4	SNA	
12	HF10 3139	ASS'Y PM MOTOR M08Z18	2	SNA	
13	JC81-08534A	CSP-BKT MOTOR TAMPER DRIVE	1	SA	
14	JC81-08574A	CSP-GEAR DOUBLE M1Z18/ M08Z40	2	SA	
15	0353 0060N	BIND HEADED SCREW:M3*6:PC	4	SNA	

Drawer#	SEC_Code	Description	QT'y	Service	Remark
16	1102 0232	MICRO WIRE SADDLE	5	SNA	
17	1105 0310	SIDE LOCKING SADDLE	1	SNA	
18	1720 0040G	E-RING:Φ4	2	SNA	
19	EM-50L	GREASE EM-50L	0.1	SNA	
20	HF10 3415	SHAFT LINK SAFETY	1	SNA	
21	HF10 8306	M/H ASS'Y TAMPER/EXIT S/JAM COVER S	1	SNA	
22	JC81-08546A	CSP-TRAY TAMPER FRONT	1	SA	
23	HF10 3811	MYLAR TRAY TAMPER	2	SNA	
24	JC81-08547A	CSP-TRAY TAMPER REAR	1	SA	
25	JC81-08548A	CSP-RACK GEAR	2	SA	
26	JC81-08563A	CSP-LINK SAFETY	1	SA	
27	0450 4010N	HEXAGON HEADED SCREW:M4*10:T2	6	SNA	
28	1720 0030G	E-RING:Φ3	2	SNA	
29	EM-50L	GREASE EM-50L	0.5	SNA	

10.4 STACKER SHIELD TRAY ASS'Y



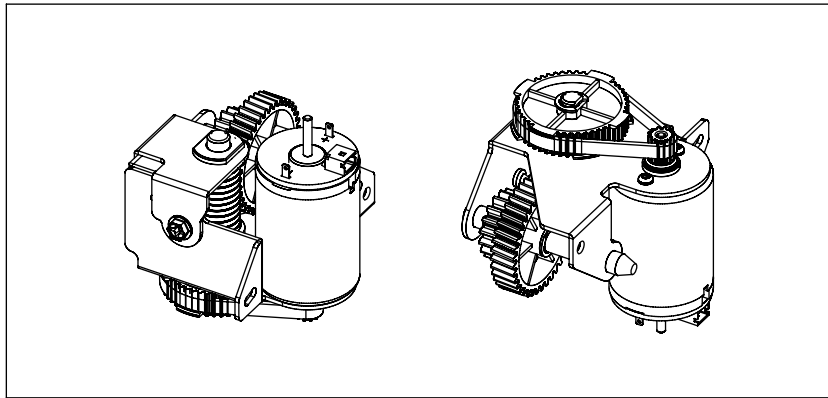
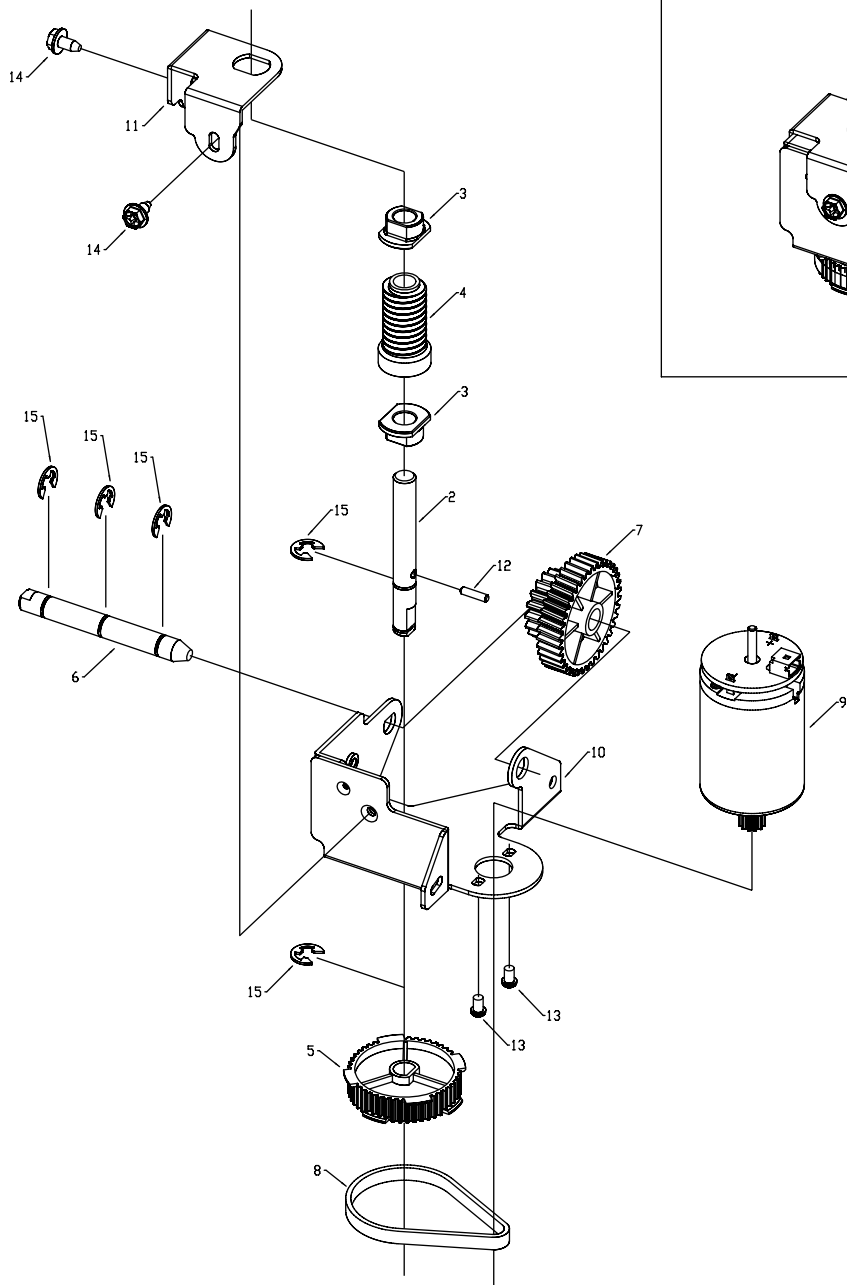
STACKER SHIELD TRAY ASS'Y Parts List

SA : SERVICE AVAILABLE, SNA : SERVICE not AVAILABLE

Drawer#	SEC_Code	Description	QT'y	Service	Remark
1	HF10 5115	STACKER SHIELD TRAY ASS'Y	1	SNA	
2	JC61-00424A	BUSH-4D	2	SA	
3	JC81-08554A	CSP-SHIELD STACKER	1	SA	
4	JC81-08570A	CSP-GEAR M08 Z16	1	SA	
5	JC81-08582A	CSP-ROLLER PADDLE COMPILE	1	SA	
6	1720 0030G	E-RING:Φ3	3	SNA	
7	JC81-08556A	CSP-GEAR RACK FRONT STACKER	1	SA	
8	SJ10 6302	ROLLER STACKER	4	SNA	
9	JC81-08557A	CSP-GEAR RACK REAR STACKER	1	SA	

Drawer#	SEC_Code	Description	QT'y	Service	Remark
10	JC81-08555A	CSP-TRAY STACKER	1	SA	
11	JC81-08560A	CSP-GUIDE LOWER STAPLER	1	SA	
12	0450 3010N	HEXAGON HEADED SCREW:M3*10:T2	4	SNA	
13	P632 0100G	PARALLEL PIN:Φ2*10	2	SNA	
14	SJMB 2306A	ROLLER IDLE FEED	2	SNA	
15	HF10 5447A	SHAFT EXT SUPPORT	2	SNA	
16	P632 0100G	WASHER:Φ3	2	SNA	
17	0965 3006N	PAN WASHER HEADED SCREW:M3*6:T2	2	SNA	

10.5 STACKER DRIVING ASS'Y



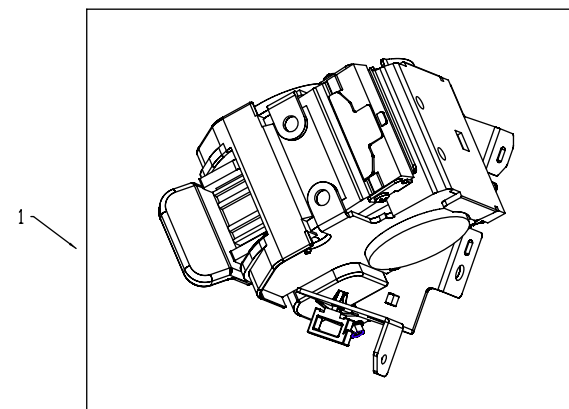
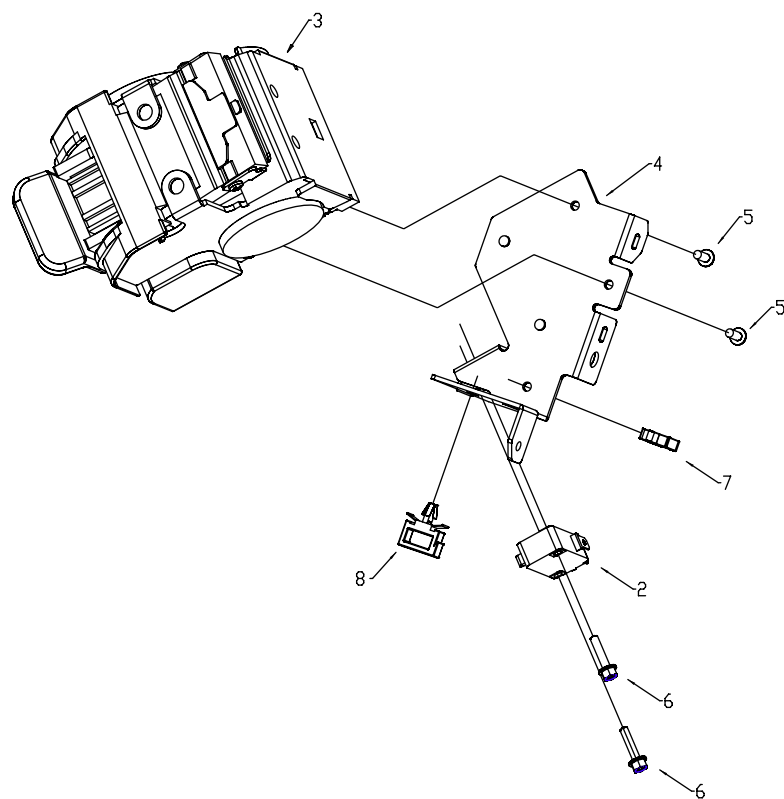
STACKER DRIVING ASS'Y Parts List

SA : SERVICE AVAILABLE, SNA : SERVICE not AVAILABLE

Drawer#	SEC_Code	Description	QT'y	Service	Remark
1	HF10 5155	STACKER DRIVING ASS'Y	1	SNA	
2	HF10 5441	SHAFT WORM GEAR STACKER	1	SNA	
3	JC61-00423A	BUSH-6D	2	SA	
4	JC81-03489A	WORM STACKER	1	SA	
5	JC81-03491A	TIMING PULLEY S2M48T	1	SA	
6	HF10 5445	SHAFT WORM WHEEL STACKER	1	SNA	
7	JC81-03524A	WORM WHEEL STACKER	1	SA	
8	JC81-03525A	B40S2M120 STACKER	1	SA	

Drawer#	SEC_Code	Description	QT'y	Service	Remark
9	JC81-08264A	AS-DC MOTOR 2738 S2M12T PCB	1	SA	
10	JC81-08537A	CSP-BKT MOTOR STACKER	1	SA	
11	JC81-08608A	CSP-BKT WORM SUPPORT	1	SA	
12	P632 0100G	PARALLEL PIN:Φ2*10	1	SNA	
13	0312 6040N	PAN HEADED SCREW:M2.6*4:PC	2	SNA	
14	0451 3006N	HEXAGON HEADED SCREW:M3*6:T3	2	SNA	
15	1720 0040G	E-RING:Φ4	5	SNA	

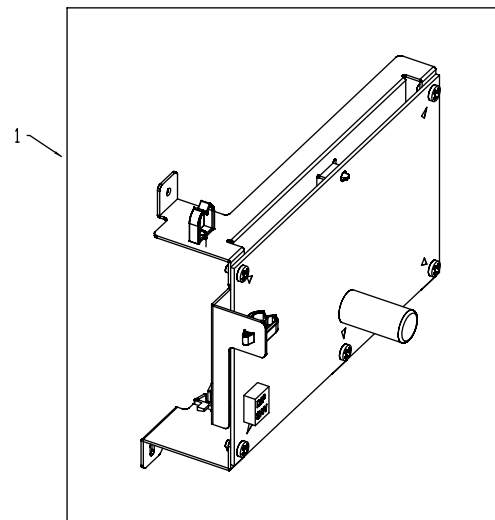
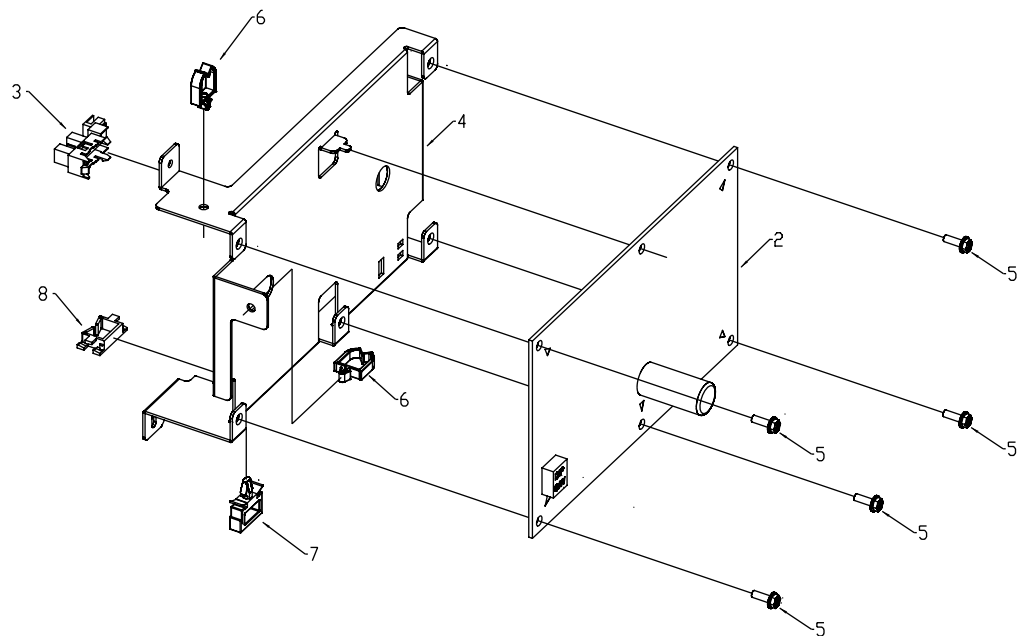
10.6 STAPLER ASS'Y



SA : SERVICE AVAILABLE, SNA : SERVICE not AVAILABLE

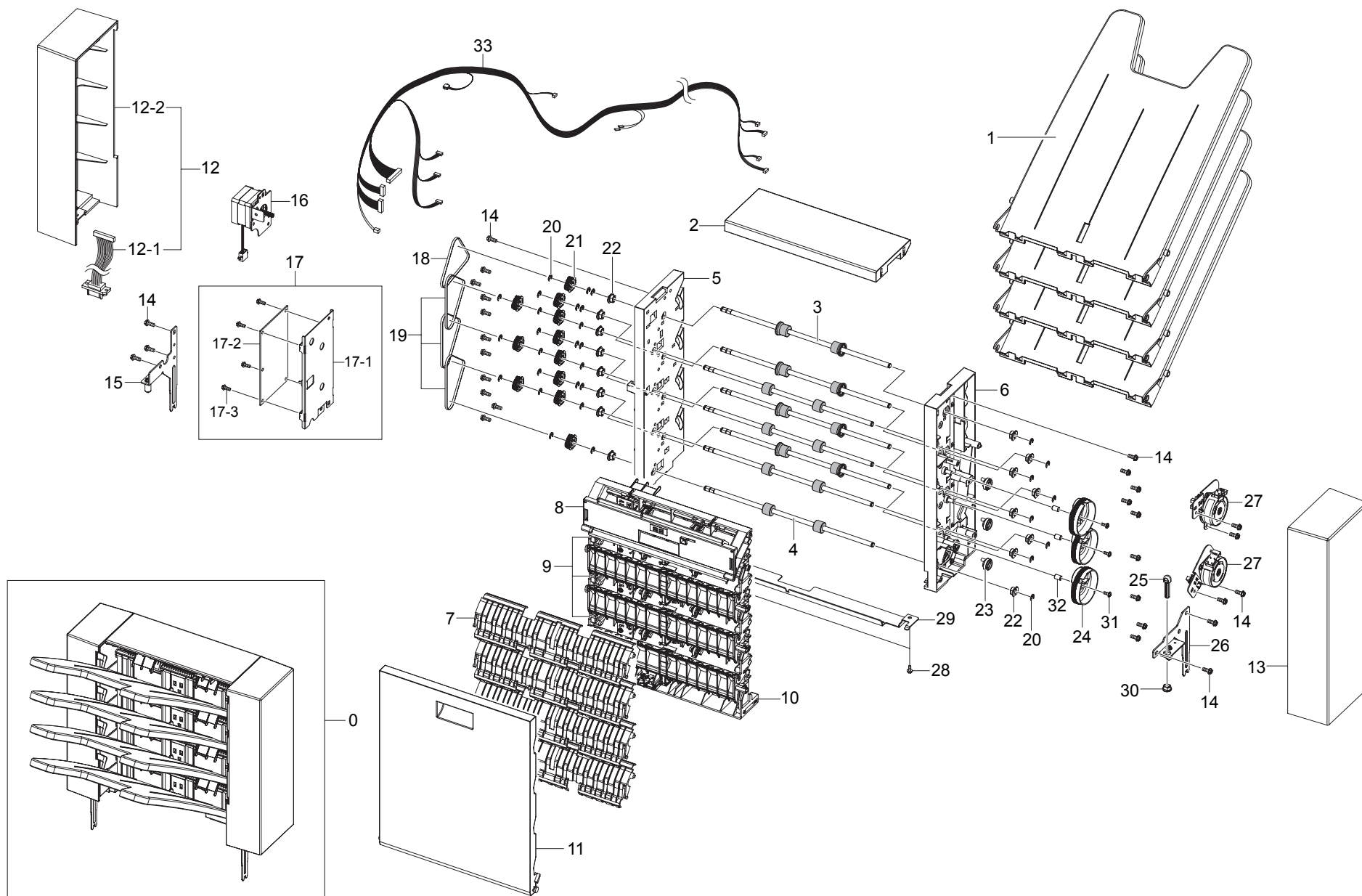
Drawer#	SEC_Code	Description	QT'y	Service	Remark
1	HF10 5175	STAPLER ASS'Y	1	SNA	
2	MSW 3113	MICRO SWITCH VP333A-1D	1	SNA	
3	JC81-03475A	STAPLER EH-C590SS	1	SA	
4	JC81-08538A	CSP-BKT STAPLER SET	1	SA	
5	0360 3006N	HEXAGON HEADED SCREW:M3*6:PC	2	SNA	
6	0360 3014N	HEXAGON HEADED SCREW:M3*14:PC	2	SNA	
7	1105 0232	MICRO WIRE SADDLE	1	SNA	
8	1105 0310	SIDE LOCKING SADDLE	1	SNA	

10.7 PCB ASS'Y



Drawer#	SEC_Code	Description	QT'y	Service	Remark
1	HF10 8101	PCB ASS'Y	1	SNA	
2	HF10 8200	PCB ASS'Y MAIN HS-FIN	1	SNA	
3	JC81-07420A	AS-SENSOR KIT5011C	1	SA	
4	JC81-08530A	CSP-BKT MAIN BOARD	1	SA	
5	0360 3006N	HEXAGON HEADED SCREW:M3*6:PC	5	SNA	
6	1105 0232	MICRO WIRE SADDLE	2	SNA	
7	1105 0310	SIDE LOCKING SADDLE	1	SNA	
8	1105 0328	COVER SADDLE DS-1	1	SNA	

11. Mail Box



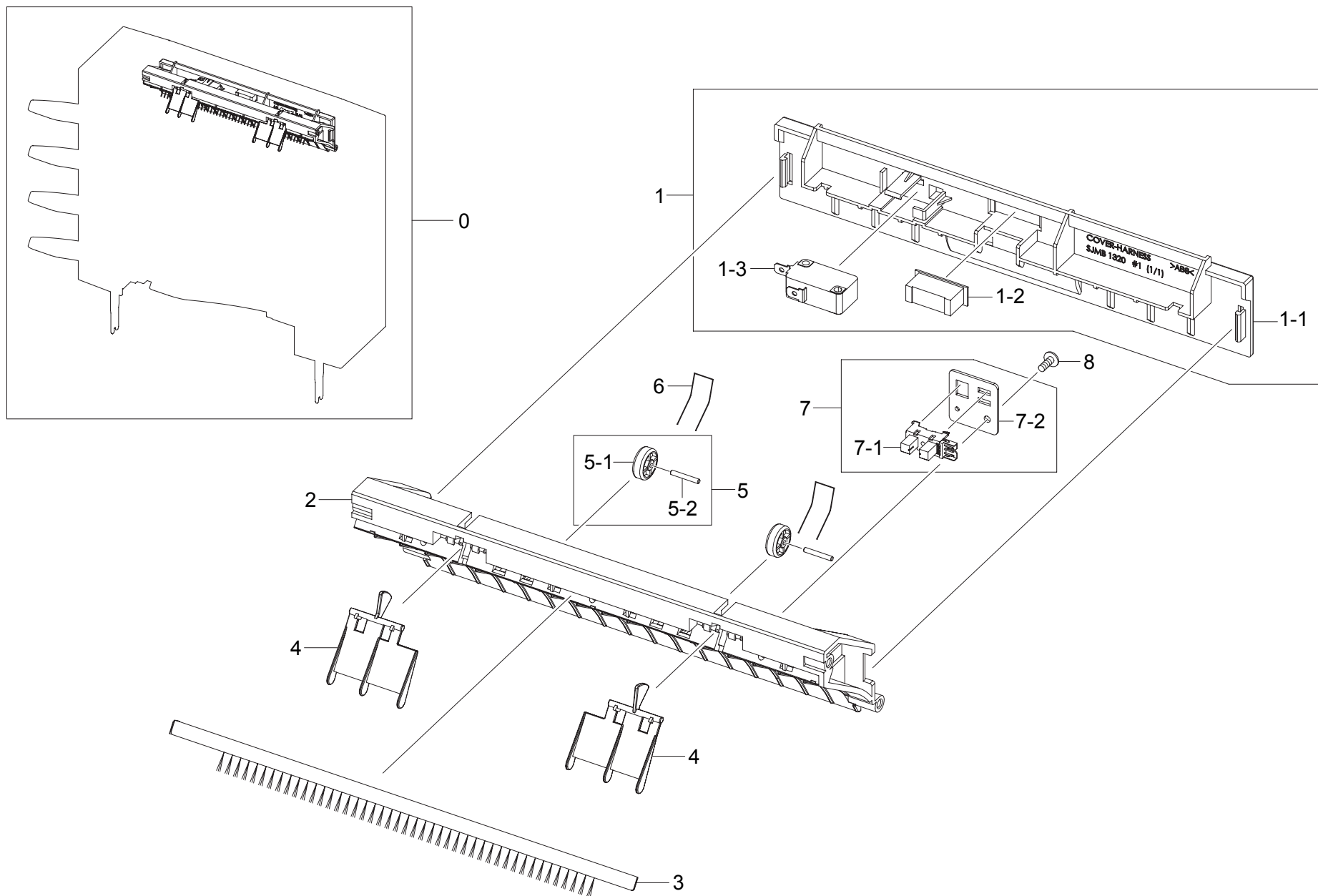
Mail Box Parts List

Drawer#	SEC_Code	Description	QT'y	Service	Remark
0	SCX-MBT20S	Mail box	1	SA	
1	JC81-07262A	AS-TRAY STACKER	4	SA	KRDC(SJMB 2308A)
2	JC81-07285A	AS-COVER TOP FRAME	1	SA	KRDC(SJMB 1306A)
3	JC81-07286A	AS-ROLLER EXIT FEED	4	SA	KRDC(SJMB 2602A)
4	JC81-07287A	AS-ROLLER MAIN FEED	4	SA	KRDC(SJMB 2604A)
5	JC81-07275A	FRAME:FRONT:SUB ASS'Y	1	SA	KRDC(SJMB 1120)
6	JC81-07276A	FRAME:REAR:SUB ASS'Y	1	SA	KRDC(SJMB 1130)
7	JC81-07261A	AS-GUIDE FEED	4	SA	KRDC(SJMB 2304A)
8	JC81-07267A	AS-SHIELD TOP STKR ASS'Y	1	SA	KRDC(SJMB 1118)
9	JC81-07265A	AS-ACTUATOR SHIELD ASS'Y	3	SA	KRDC(SJMB 1113)
10	JC81-07264A	AS-BASE SUB ASS'Y	1	SA	KRDC(SJMB 1110)
11	JC81-07282A	AS-COVER JAM FRAME ASS'Y	1	SA	KRDC(SJMB 1150)
12	JC81-07283A	AS-COVER FRONT FRAME ASY	1	SA	KRDC(SJMB 1154)
12-1	-	ASS'Y, MH, INTERFACE	1	SNA	KRDC(SJMB 8330)
12-2	JC81-07284A	AS-COVER DRAW CN FRAME	1	SA	KRDC(SJMB 1304A)
13	JC81-07260A	AS-COVER REAR FRAME	1	SA	KRDC(SJMB 1318A)
14	-	HEXAGON HEADED SCREW:M4?0:T2	47	SNA	KRDC(0450 4010N)
15	JC81-07279A	JOINT BKT:FRONT:FRAME:SUB ASS'Y	1	SA	KRDC(SJMB 1142)
16	JC81-07281A	HB MOTOR:FEED:SUB ASS'Y	1	SA	KRDC(SJMB 1146)
17	-	MAIN BOARD:FRAME:SUB ASS'Y	1	SNA	KRDC(SJMB 1134)
17-1	-	BKT:MAIN BOARD:FRAME	1	SNA	KRDC(SJMB 1206)

SA : SERVICE AVAILABLE, SNA : SERVICE not AVAILABLE

Drawer#	SEC_Code	Description	QT'y	Service	Remark
17-2	JC81-07277A	AS-PCB ASS'Y MAIN	1	SA	KRDC(SJMB 8200B)
17-3	-	HEXAGON HEADED SCREW:M3x6:T3	4	SNA	KRDC(0451 3006N)
18	JC81-07256A	AS-BELT B30S2M200	1	SA	KRDC(B30S2M200)
19	JC81-07257A	AS-BELT B30S2M210	3	SA	KRDC(B30S2M210)
20	-	E-RING:Φ4	29	SNA	KRDC(1720 0040G)
21	JC81-03517A	TIMING PULLEY:T30S2M:D-CUT	11	SA	-
22	JC61-00423A	BUSH-6_D	16	SA	-
23	JC81-07289A	ROLLER:STACKER	4	SA	KRDC(SJ10 6302)
24	JC81-07263A	AS-SPUR GEAR M05Z100	3	SA	KRDC(SJMB 2318A)
25	JC81-07259A	AS-POSITIONER SEPARATE	1	SA	KRDC(SJMB 1314A)
26	JC81-07278A	JOINT BKT:REAR:FRAME:SUB ASS'Y	1	SA	KRDC(SJMB 1140)
27	JC81-07280A	SEPARATE MOTOR:SUB ASS'Y	2	SA	KRDC(SJMB 1144)
28	-	HEXAGON HEADED SCREW:M3x8:T3	2	SNA	KRDC(0451 3008N)
29	JC81-07258A	AS-BKT EARTH FRAME	1	SA	KRDC(SJMB 1212A)
30	-	BEARING:Φ6	1	SNA	KRDC(0092 0601)
31	-	PAN WASHER HEADED SCREW:M3x8:T2	1	SNA	KRDC(0965 3008N)
32	JC81-07288A	HOLLOW SHAFT:D_6	3	SA	KRDC(SJ10 3402)
33	-	ASS'Y, MH,FRAME	1	SNA	KRDC(SJMB 8310)

11.1 AS-SHIELD TOP STKR ASS'Y



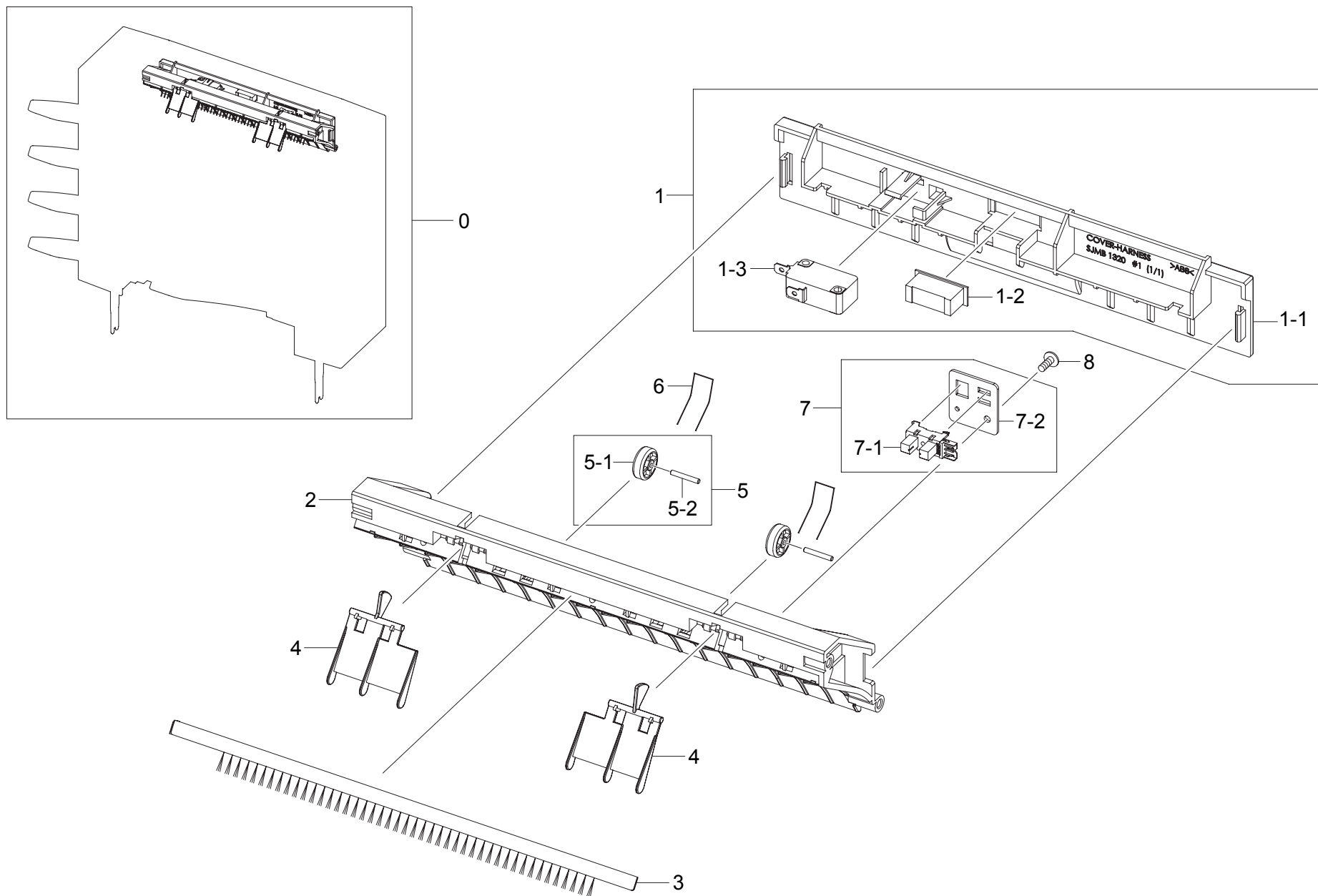
AS-SHIELD TOP STKR ASS'Y Parts List

SA : SERVICE AVAILABLE, SNA : SERVICE not AVAILABLE

Drawer#	SEC_Code	Description	QT'y	Service	Remark
0	JC81-07267A	AS-SHIELD TOP STKR ASS'Y	1	SA	KRDC(SJMB 1118)
1	JC81-07273A	AS-COVER HARNESS ASS'Y	1	SA	KRDC(SJMB 1119)
1-1	-	COVER:HARNESS	1	SNA	KRDC(SJMB 1320)
1-2	JC81-07274A	MAGNET:BY3-32-1	1	SA	KRDC(CF10 T702)
1-3	JC81-03469A	MICRO SWITCH:VP333A-0D	1	SA	-
2	JC81-07269A	AS-SHIELD TOP STACKER	1	SA	KRDC(SJMB 2320A)
3	JC81-07266A	AS-ANTI_STATIC BRUSH	1	SA	KRDC(SJMB 2802A)
4	JC81-07253A	AS-ACTUATOR FULL STACKER	2	SA	KRDC(SJMB 2314A)
5	JC81-07268A	AS-ROLLER IDLE FEED ASS'Y	2	SA	KRDC(SJMB 1116)

Drawer#	SEC_Code	Description	QT'y	Service	Remark
5-1	-	ROLLER:IDLE:FEED	2	SNA	KRDC(SJMB 2306)
5-2	-	PARALLEL PIN:Φ2×14	2	SNA	KRDC(P632 0140G)
6	JC81-07272A	AS-T_SPRING GUIDE M/B	2	SA	KRDC(SJMB 2508A)
7	-	BKT:SENSOR:STACKER:SUB ASS'Y	1	SNA	KRDC(SJMB 1114)
7-1	0604-001095	PI SENSOR:GP1S73P2	1	SA	KRDC(0604-001095)
7-2	JC81-07270A	AS-BKT SENSOR STACKER	1	SA	KRDC(SJMB 2202A)
8	-	PAN WASHER HEADED SCREW:M3×8:T2	1	SNA	KRDC(0965 3008N)

11.2 AS-ACTUATOR SHIELD ASS'Y



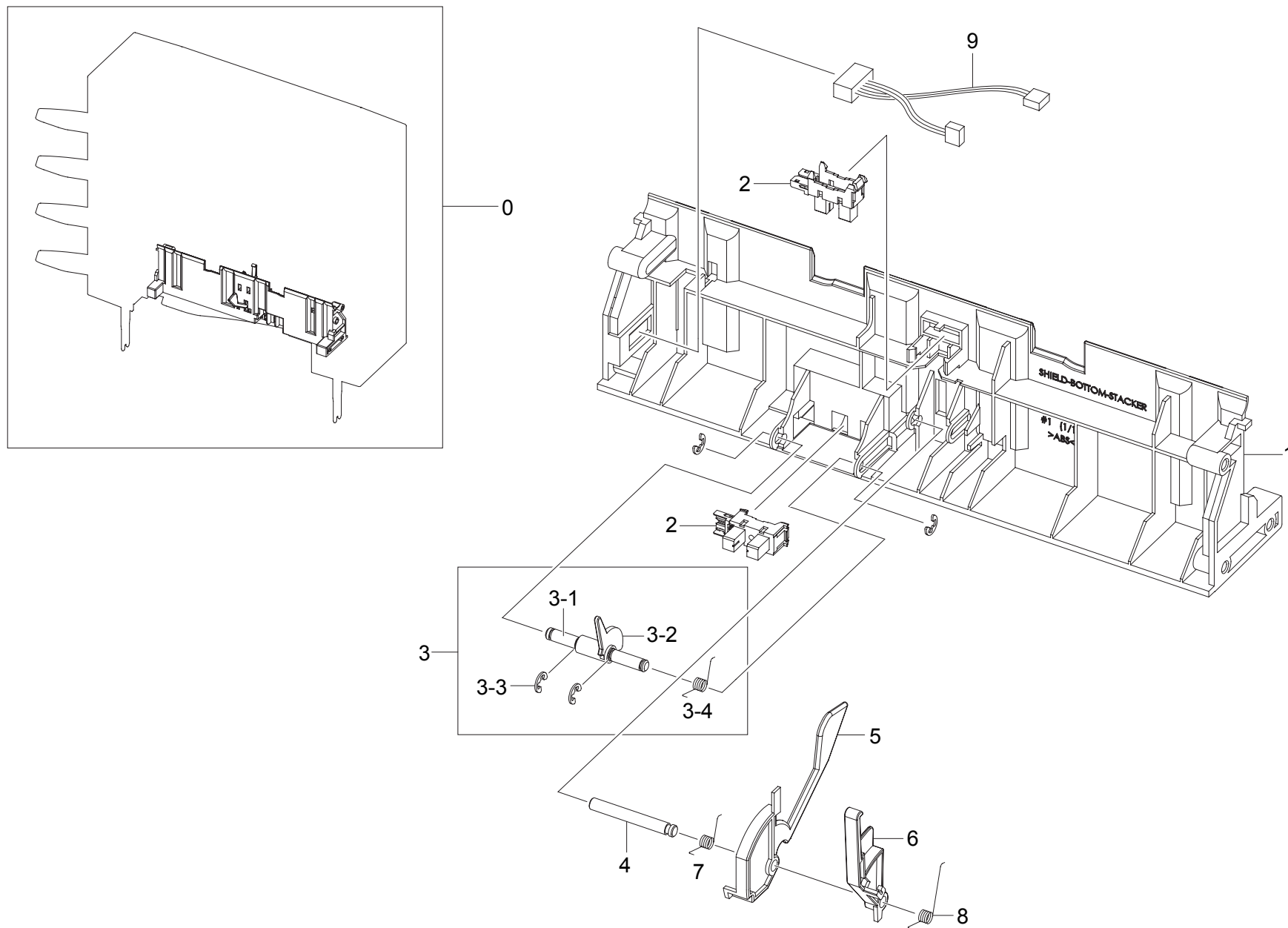
AS-ACTUATOR SHIELD ASS'Y Parts List

Drawer#	SEC_Code	Description	QT'y	Service	Remark
0	JC81-07265A	AS-ACTUATOR SHIELD ASS'Y	3	SA	KRDC(SJMB 1113)
1	-	SHIELD:STACKER	1	SNA	KRDC(SJMB 2316)
2	0604-001095	PI SENSOR:GP1S73P2	2	SA	KRDC(0604-001095)
3	-	SHAFT:ACTUATOR:STACKER	1	SNA	KRDC(SJMB 2402)
4	-	ACTUATOR:EMPTY:STACKER	1	SNA	KRDC(SJMB 2310)
5	-	ACTUATOR:EXIT:FEED	1	SNA	KRDC(SJMB 2312)
6	-	TORSION SPRING:PAPER PATH	1	SNA	KRDC(SJMB 2504)
7	-	TORSION SPRING:TRAY EMPTY	1	SNA	KRDC(SJMB 2502)
8	-	BKT:SENSOR:STACKER:SUB ASS'Y	1	SNA	KRDC(SJMB 1114)
8-1	JC81-07270A	AS-BKT SENSOR STACKER	1	SA	KRDC(SJMB 2202A)

SA : SERVICE AVAILABLE, SNA : SERVICE not AVAILABLE

Drawer#	SEC_Code	Description	QT'y	Service	Remark
9	-	PAN WASHER HEADED SCREW:M3×8:T2	1	SNA	KRDC(0965 3008N)
10	JC81-07268A	AS-ROLLER IDLE FEED ASS'Y	2	SA	KRDC(SJMB 1116)
10-1	-	PARALLEL PIN:Φ2×14	2	SNA	KRDC(P632 0140G)
10-2	-	ROLLER:IDLE:FEED	2	SNA	KRDC(SJMB 2306)
11	JC81-07272A	AS-T_SPRING GUIDE M/B	2	SA	KRDC(SJMB 2508A)
12	-	SEPARATE:PAWL:FEED	1	SNA	KRDC(SJMB 2302)
13	JC81-07266A	AS-ANTI_STATIC BRUSH	1	SA	KRDC(SJMB 2802A)
14	JC81-07253A	AS-ACTUATOR FULL STACKER	2	SA	KRDC(SJMB 2314A)
15	-	ASS'Y, MH, TRAY SNR RELAY	1	SNA	KRDC(SJMB 8320)

11.3 AS-BASE SUB ASS'Y



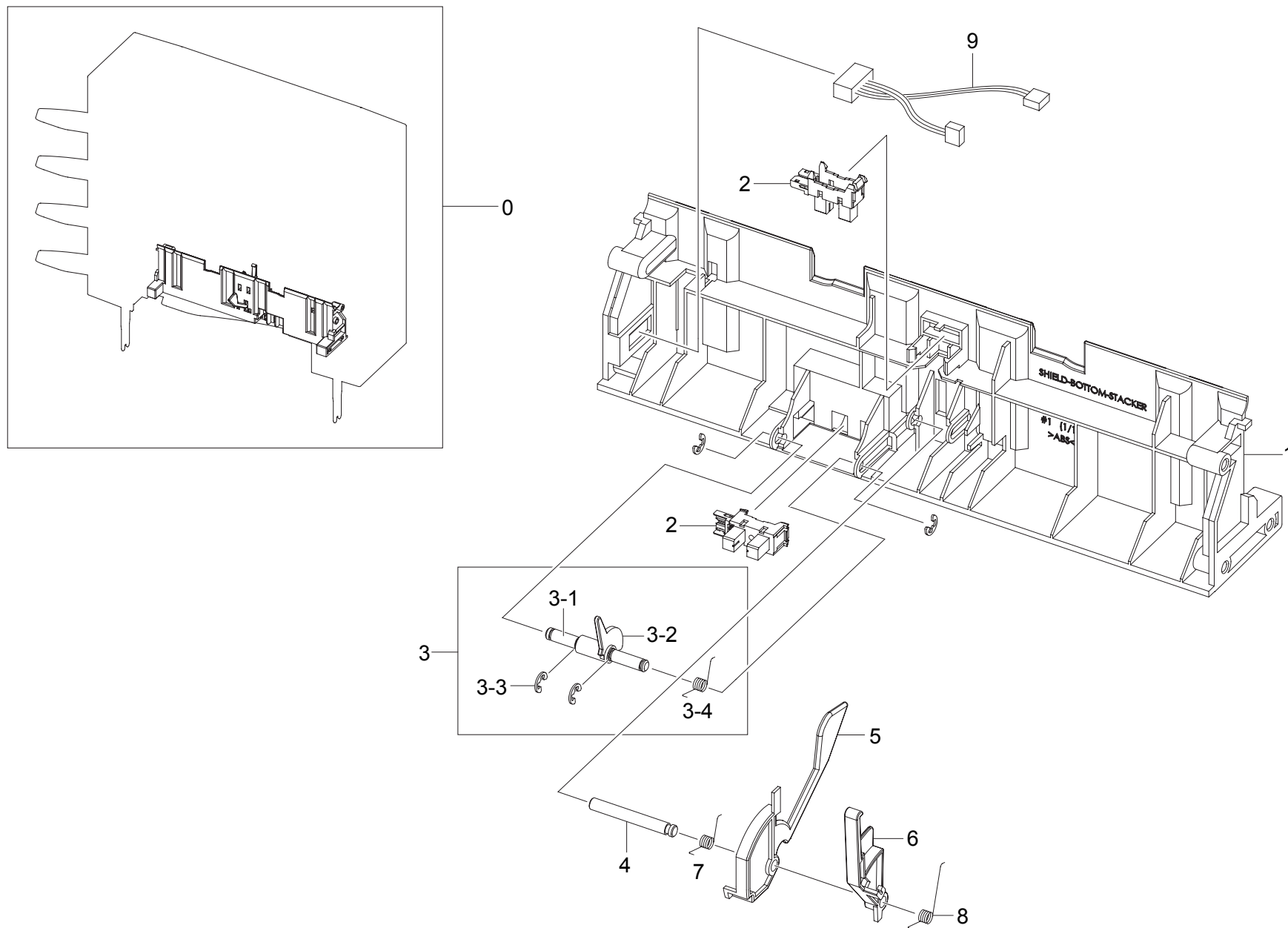
AS-BASE SUB ASS'Y Parts List

SA : SERVICE AVAILABLE, SNA : SERVICE not AVAILABLE

Drawer#	SEC_Code	Description	QT'y	Service	Remark
0	JC81-07264A	AS-BASE SUB ASS'Y	1	SA	KRDC(SJMB 1110)
1	-	SHIELD:BOTTOM:STACKER	1	SNA	KRDC(SJMB 2324)
2	0604-001095	PI SENSOR:GP1S73P2	2	SA	KRDC(0604-001095)
3	-	ACTUATOR:ENTRANCE:SUB ASS'Y	1	SNA	KRDC(SJMB 1112)
3-1	-	SHAFT:ACTUATOR:FEED	1	SNA	KRDC(SJMB 2404)
3-2	-	ACTUATOR:ENTRANCE:FEED	1	SNA	KRDC(SJMB 2326)
3-3	-	E-RING	4	SNA	KRDC(1720 0030G)

Drawer#	SEC_Code	Description	QT'y	Service	Remark
3-4	-	T-SPRING:ACTUATOR:STACK	1	SNA	KRDC(SJ10 6682)
4	-	SHAFT:ACTUATOR:STACKER	1	SNA	KRDC(SJMB 2402)
5	-	ACTUATOR:EMPTY:STACKER	1	SNA	KRDC(SJMB 2310)
6	-	ACTUATOR:EXIT:FEED	1	SNA	KRDC(SJMB 2312)
7	-	TORSION SPRING:TRAY EMPTY	1	SNA	KRDC(SJMB 2502)
8	-	TORSION SPRING:PAPER PATH	1	SNA	KRDC(SJMB 2504)
9	-	ASS'Y, MH, TRAY SNR RELAY	1	SNA	KRDC(SJMB 8320)

11.4 AS-COVER JAM FRAME ASS'Y



AS-COVER JAM FRAME ASS'Y Parts List

SA : SERVICE AVAILABLE, SNA : SERVICE not AVAILABLE

Drawer#	SEC_Code	Description	QT'y	Service	Remark
0	JC81-07282A	AS-COVER JAM FRAME ASS'Y	1	SA	KRDC(SJMB 1150)
1	-	COVER:JAM:FRAME	1	SNA	KRDC(SJMB 1308)
2	-	MAGNET CATCH PLATE:TB	1	SNA	KRDC(CF10 T209)
3	-	COUNTERSINK SCREW:	1	SNA	KRDC(0323 0102N)
4	-	IDLE ROLLER:ASS'Y	8	SNA	KRDC(SJMB 1152)

Drawer#	SEC_Code	Description	QT'y	Service	Remark
4-1	-	LEAF SPRING:FEED	8	SNA	KRDC(SJ10 2202)
4-2	-	ROLLER:IDLE:FEED	8	SNA	KRDC(SJ10 2302)
5	-	PAN WASHER HEADED SCREW:	8	SNA	KRDC(0965 3008N)