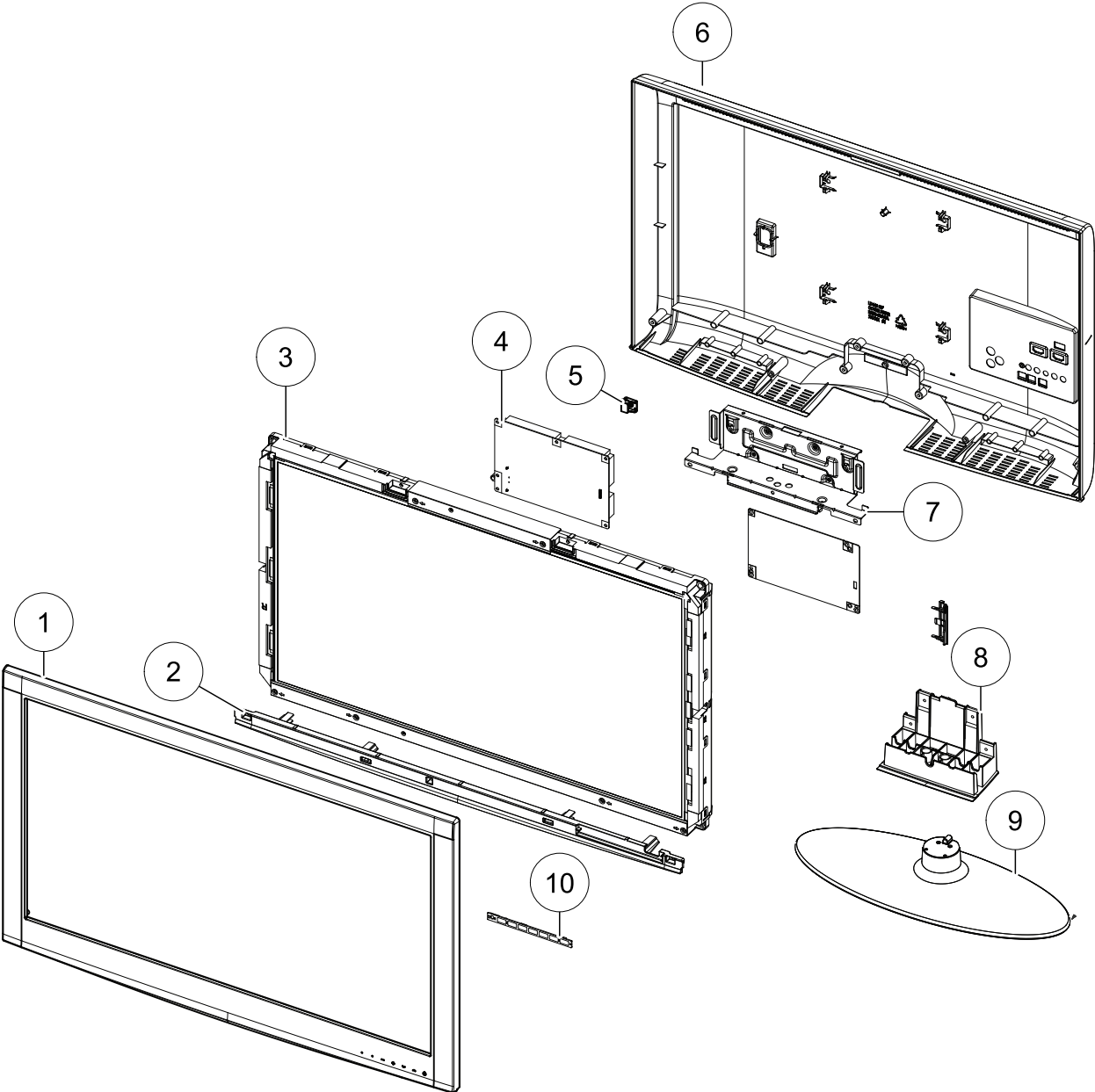


1. Exploded View & Part List

Exploded View



Parts List

No.	Parent	Lvl.	Loc.	Material Code	Description & Specification	SNA	Qty.
1	BN90-03534K	2	F001A	BN96-19834H	ASSY COVER P-FRONT; LD405,32,W/W(CLUB),PM	SA	1
2	BN96-19834H	3		BN96-19835A	ASSY HOLDER P-BOSS BOTTOM; LD403,32,ABS,H	SNA	1
3	BN91-07692A	2	PANEL	BN07-01050A	LCD-PANEL; CD320AGD-T1,CTC4AP1,8 bits,32	SA	1
4	BN91-06451A	2		BN44-00468A	AC VSS(I)-TV; PSIV121411C,IV32HD_BSM,63kH	SA	1
5	BN96-19836A	3	T0101	BN61-04816A	BRACKET-WALL; 40, B610,SECC,T1.2	SNA	4
6	BN90-03536A	2	R001A	BN96-19836A	ASSY COVER P-REAR; LD403,32,UO,HIPS,V0,BK	SA	1
7	BN91-06451A	2	SB05A	BN96-19840A	ASSY BRACKET P-STAND LINK; LD403,32,SECC,	SNA	1
8	BN96-19838C	3	SG03	BN61-07594A	GUIDE-STAND; LD403,32,PC+G/F 20%,V2,BK000	SNA	1
9	BN90-03540F	2	SB04A	BN96-19854A	ASSY STAND P-BASE; UD4003 32,ABS+PMMA,HB,	SA	1
10	BN96-19834H	3	FB21A	BN96-18314E	ASSY BOARD P-TOUCH FUNCTION & IR; LA32D400_	SA	1