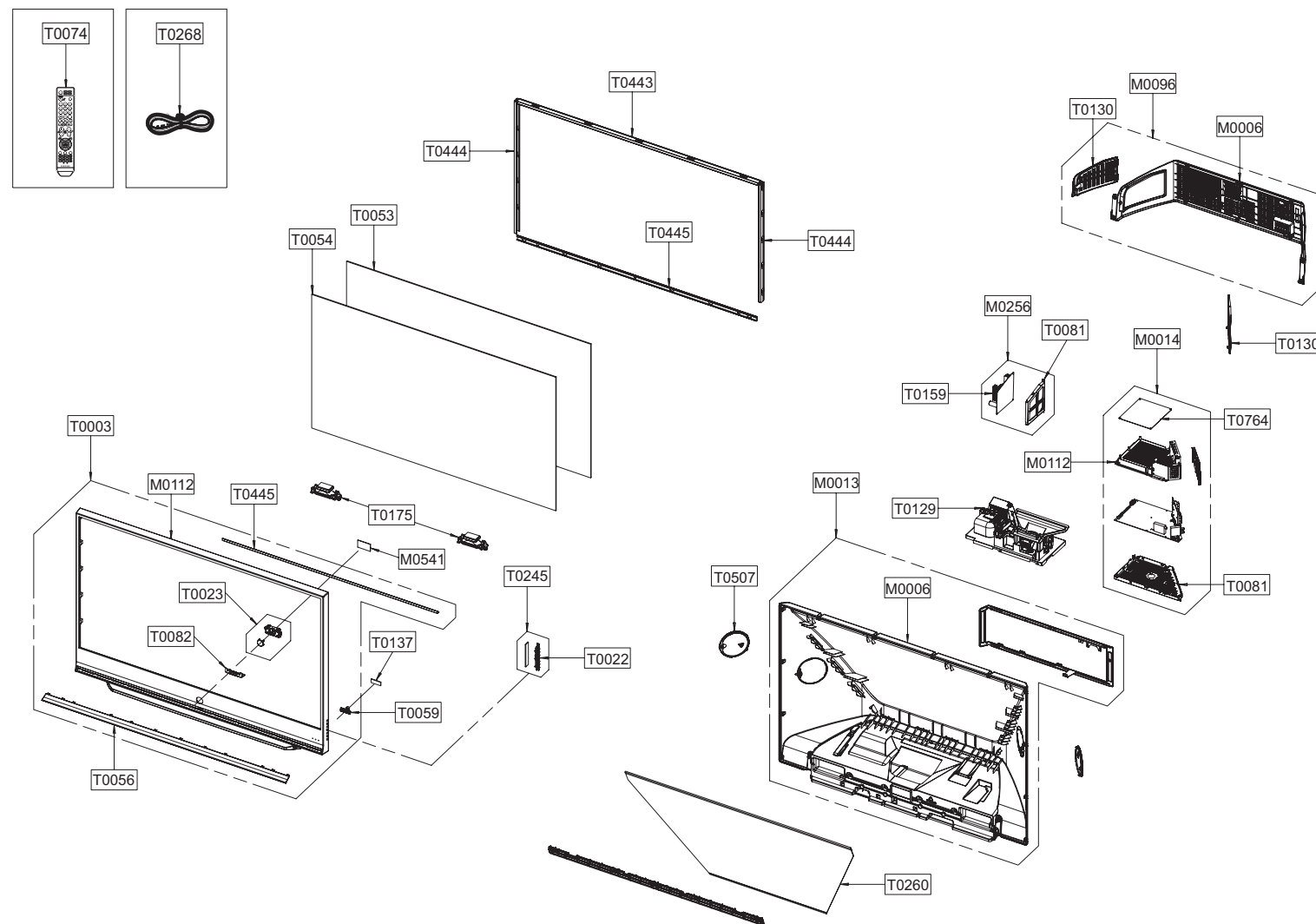


4. Exploded View & Part List

4-1 HLT5087SX/XAA



Loc.No.	Code No.	Description	Specification	Q'ty	SA/SNA	Remark
M0006	BP63-00880A	COVER-REAR BOTTOM	56K6(SLIM),PS,V0,BK500	1	S.N.A	
M0006	BP63-00886A	COVER-REAR	50K6(SLIM),PS,V0,BK500,NON-DE	1	S.N.A	
M0013	BP96-01750A	ASSY COVER P-REAR	50K6/K8,PS,V0,BK500,NO	1	S.A	
M0014	BP94-02303A	ASSY PCB MAIN	HLT5687SX/XAA,L67A,LARUEL	1	S.A	
M0096	BP96-01743C	ASSY COVER P-REAR BOTTOM	K8(LED),PS,V0,B	1	S.A	
M0112	BP63-00898A	COVER-FRONT	50K8(SLIM LED),ABS+PMMA,HB,B	1	S.N.A	
M0112	BP96-01736A	ASSY SHIELD P-PCB	56K8,SECC,T0.5,NTR,TOP	1	S.N.A	
M0256	BP94-02304B	ASSY PCB MISC-SUB SMPS	HLT5687SX/XAA,L67	1	S.A	
M0541	BP96-01792C	ASSY BOARD P-RMC	HLT5687S,CT5000-5020A,R	1	S.A	
T0003	BP96-01751A	ASSY COVER P-FRONT	50K8(SLIM LED),ABS+PM	1	S.A	
T0022	BP64-00610B	KNOB CONTROL	K6/K8,ABS,HB,ORIGINAL COLOR	1	S.N.A	
T0023	BN96-04707A	ASSY COVER P-KNOB POWER	C9/O9,ABS HB	1	S.N.A	
T0053	BP67-00340A	SCREEN FRESNEL	Laurel,1.9T,50W, 1126mm x	1	S.A	
T0054	BP67-00339A	SCREEN LENTI	Laurel,1.7T,50W, 1126mm x 6	1	S.A	
T0056	BP63-00899A	COVER-DECORATION	50K6(SLIM LED),ABS+PMMA	1	S.N.A	
T0059	BP64-00625A	INDICATOR LED	56K6(SLIM),PC,CLEAR	1	S.N.A	
T0074	BP59-00125A	REMOCON	LAUREL,TM87C,Samsung 28p+EEPROM,	1	S.A	
T0081	BP61-01390A	BRACKET-MAIN	56K8(SLIM LED),SECC,T0.8,NT	1	S.N.A	
T0081	BP61-01408A	BRACKET-POWER	56K8(SLIM LED),SECC,T0.8,N	1	S.N.A	
T0082	BP64-00626A	WINDOW LED	56K6(SLIM),PC,MILKY,SMOG	1	S.N.A	
T0129	BP96-01729B	ASSY ENGINE P-DLP	K880(50K8),LED DLP,RUM	1	S.A	
T0130	BP96-01739A	ASSY COVER P-TERMINAL BOARD	K8,PS SHEET,	1	S.N.A	
T0130	BP63-00968A	COVER DUCT	56K8(SLIM LED),ABS,V0,BK500,R	1	S.N.A	
T0137	BP94-02304A	ASSY PCB MISC-LED	HLT5687SX/XAA,L67A,LAU	1	S.A	
T0159	BP96-01726A	ASSY PCB P-SMPS	LAUREL LED DLP,LAUREL,DC	1	S.A	
T0175	BP96-01794A	ASSY SPEAKER P	8ohm,Horn type,10W,1100/4	1	S.A	
T0245	BP94-02305A	ASSY PCB MISC-KEY CONTROL	HLT5075SX/XAA,	1	S.N.A	
T0260	BP67-00319A	MIRROR-FRONT	50K6,Glass,1058X522X600X	1	S.A	
T0268	3903-000144	CBF-POWER CORD	DT,US,BP3/Y,U(IEC C13-RA)	1	S.A	
T0443	BP96-01749A	ASSY BRACKET P-SCREEN TOP	50K6/K8,AL6063	1	S.N.A	
T0444	BP96-01747A	ASSY BRACKET P-SCREEN SIDE	50K6/K8(LEFT)	1	S.N.A	
T0444	BP96-01748A	ASSY BRACKET P-SCREEN SIDE	50K6/K8(RIGHT)	1	S.N.A	
T0445	BP96-01817A	ASSY BRACKET P-SCREEN BOTTOM	50K6/K8,TOP	1	S.N.A	
T0445	BP96-01746A	ASSY BRACKET P-SCREEN BOTTOM	50K6/K8,AL6	1	S.N.A	
T0507	BP63-00832A	COVER-DUST	46K5(SLIM),PS,HB,BK500	2	S.N.A	
T0764	BP44-01001A	SMPS-DLP TV	PN082DPS-VF(A),AC/DC,90V-132	1	S.A	