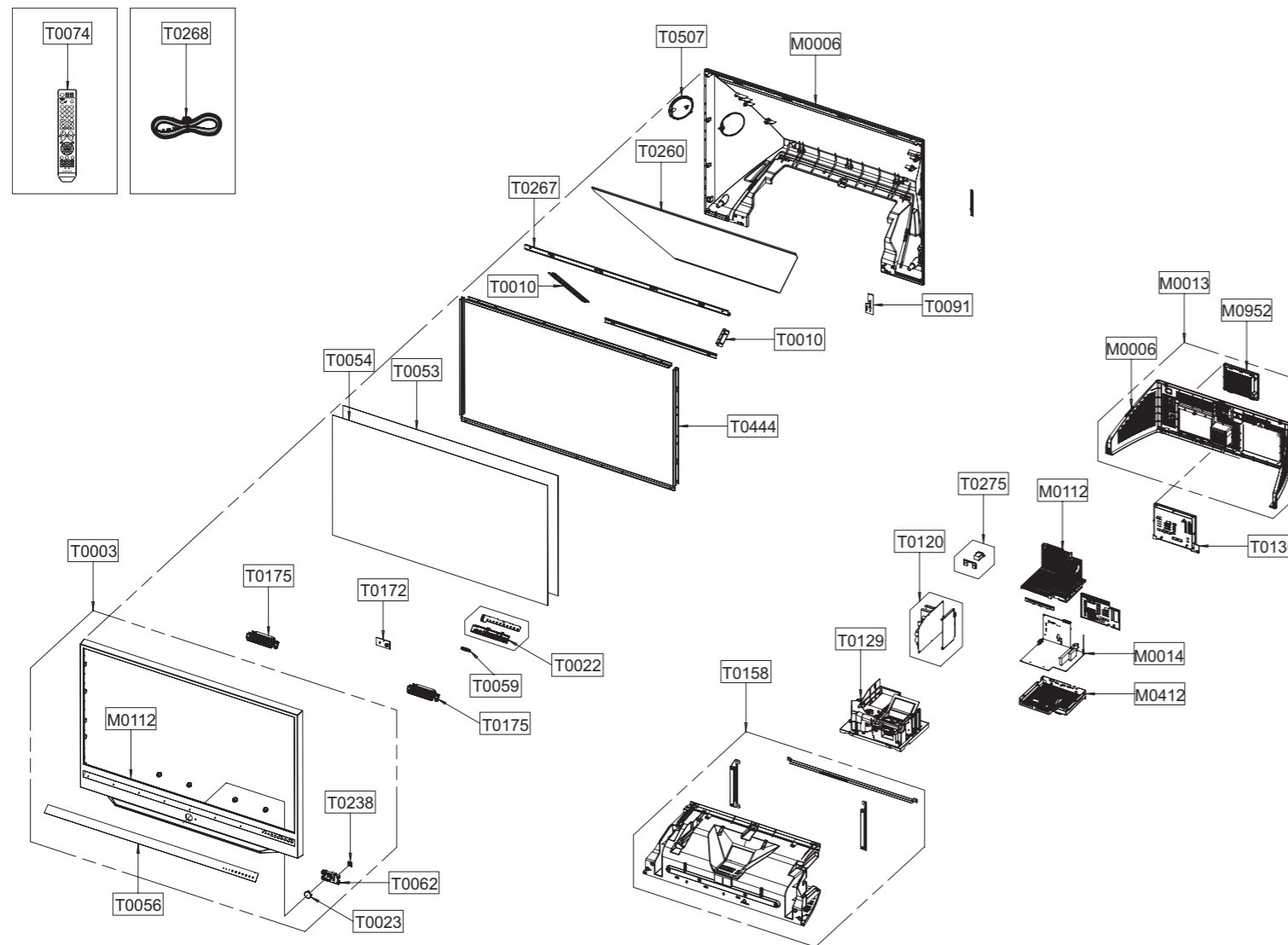


4. Exploded View & Part List

4-1 HLS5687WX/XAA

You can search for the updated part code through ITSELF web site.

URL:<http://itself.sec.samsung.co.kr>



| Loc.No. | Code No. | Description | Specification | Q'ty | SA/SNA | Remark |
|---------|-------------|-----------------------------|-----------------------------|------|--------|--------|
| M0006 | BP63-00707A | COVER-REAR | 56K2/K3,HIPS,HB,BK500 | 1 | S.N.A | |
| M0006 | BP63-00714A | COVER-REAR BOTTOM | K2/K3,HIPS,V0,BK500 | 1 | S.N.A | |
| M0013 | BP96-01473A | ASSY COVER P-REAR BOTTOM | K2/K3,HIPS,V0,B | 1 | S.A | |
| M0014 | BP94-02258C | ASSY PCB MAIN | ATSC_ONLY,L66A,GALILEI | 1 | S.A | |
| M0112 | BP63-00705A | COVER-FRONT | 56K3,ABS+PMMA,HB,BK23,STEAM | 1 | S.N.A | |
| M0112 | BP96-01432A | ASSY SHIELD P-PCB | L66A,SPTT,T0.5,POD | 1 | S.N.A | |
| M0412 | BP96-01421A | ASSY BRACKET P-PCB | NOBEL,SECC,T1.0 | 1 | S.N.A | |
| M0952 | BP63-00710A | COVER-DUCT | K2/K3,ABS,V0,BK07,RT195 | 1 | S.N.A | |
| T0003 | BP96-01490A | ASSY COVER P-FRONT | 56K3,SEA(L66A),ABS+PM | 1 | S.A | |
| T0010 | BP96-00940A | ASSY HOLDER P-MIRROR LEFT | L6 ALL, L8,HIP | 1 | S.A | |
| T0010 | BP96-00941A | ASSY HOLDER P-MIRROR RIGHT | L6 ALL, L8,HI | 1 | S.A | |
| T0022 | BP64-00587A | KNOB CONTROL | K2,ABS,HB,BK07,AL V/P | 1 | S.N.A | |
| T0023 | BP64-00589A | KNOB POWER | K3,PC,VIOLET | 1 | S.N.A | |
| T0053 | BP67-00231A | SCREEN FRESNEL | HURRICANE,Methyl Methacry | 1 | S.A | |
| T0054 | BP67-00232A | SCREEN LENTI | HURRICANE,PMMC, MMBS,56W, 1 | 1 | S.A | |
| T0056 | BP63-00711A | COVER-DECORATION | 56K2,PC SHEET,T0.6,SILV | 1 | S.N.A | |
| T0059 | BP64-00590A | INDICATOR LED | K2,ABS,HB,MILKY SMOG | 1 | S.N.A | |
| T0062 | BP61-01227A | HOLDER-POWER | K3,ABS HB,BK07,AL V/P | 1 | S.N.A | |
| T0074 | BP59-00107A | REMOCON | Einstein,TM87B,54,NTSC,L64D | 1 | S.A | |
| T0091 | BP94-02270A | ASSY PCB MISC-AV SIDE | HLS5686,L64D,K2 | 1 | S.A | |
| T0120 | BP94-02261A | ASSY PCB POWER | L64D(L6),AC120V,ATSC(W/O | 1 | S.A | |
| T0129 | BP96-01491B | ASSY ENGINE P-DLP | 56K3,PHILIPS 132W,E22, | 1 | S.A | |
| T0130 | BP96-01431B | ASSY COVER P-TERMINAL BOARD | GALILEI,SEA, | 1 | S.N.A | |
| T0158 | BP96-01462C | ASSY COVER P-MAIN | K2,K3,SAMEX,HIPS,V0,BK | 1 | S.N.A | |
| T0172 | BP94-02272A | ASSY PCB MISC-RMC | HLS5686,L64D,K2 | 1 | S.A | |
| T0175 | BP96-01441A | ASSY SPEAKER P | 8ohm,K3,DLP,10W,BAR,Horn | 1 | S.A | |
| T0175 | BP96-01441B | ASSY SPEAKER P | 8ohm,K3,DLP,10W,Right,BAR | 1 | S.A | |
| T0238 | BP64-00385A | WINDOW REMOCON | 50L3,PC,VIOLET | 1 | S.N.A | |
| T0260 | BP67-00255A | MIRROR-FRONT | Front Mirror 56",Glass,1200 | 1 | S.A | |
| T0267 | BP61-01220A | BRACKET-MIRROR TOP | 56K2,AL 6063,EXTR | 1 | S.N.A | |
| T0268 | 3903-000144 | CBF-POWER CORD | DT,US,BP3/Y,U(IEC C13-RA) | 1 | S.A | |
| T0275 | BP96-00972A | ASSY MISC P-INLET | SVP-50L6HD,HURRICANE,D | 1 | S.A | |
| T0444 | BP96-01583A | ASSY BRACKET P-SCREEN SIDE | 56K3,AL6063,E | 2 | S.N.A | |
| T0507 | BP63-00709A | COVER-DUST | K2/K3,HIPS,HB,BK500 | 2 | S.N.A | |