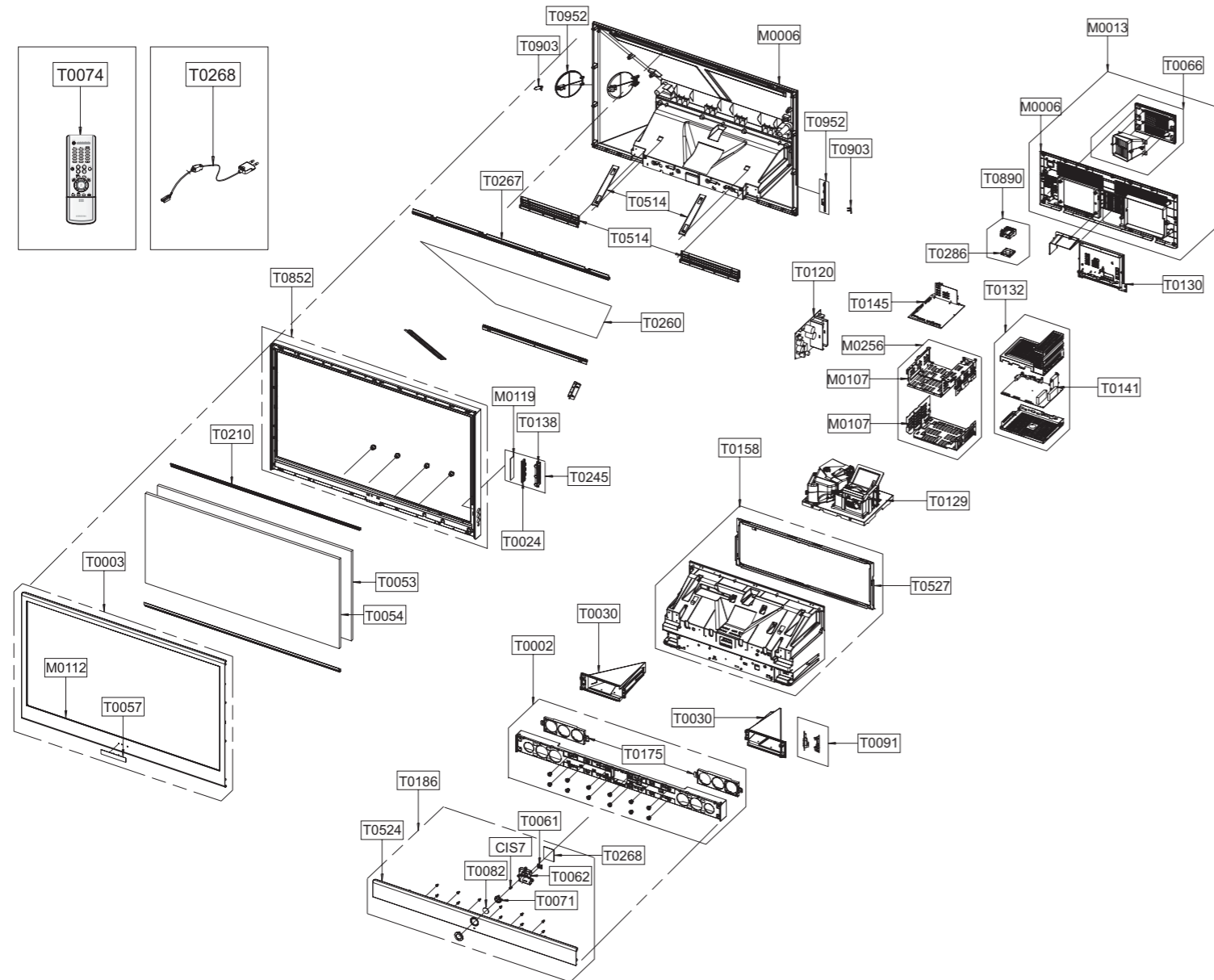


## 4. Exploded View & Part List

### 4-1 HLR6168WX/XAA

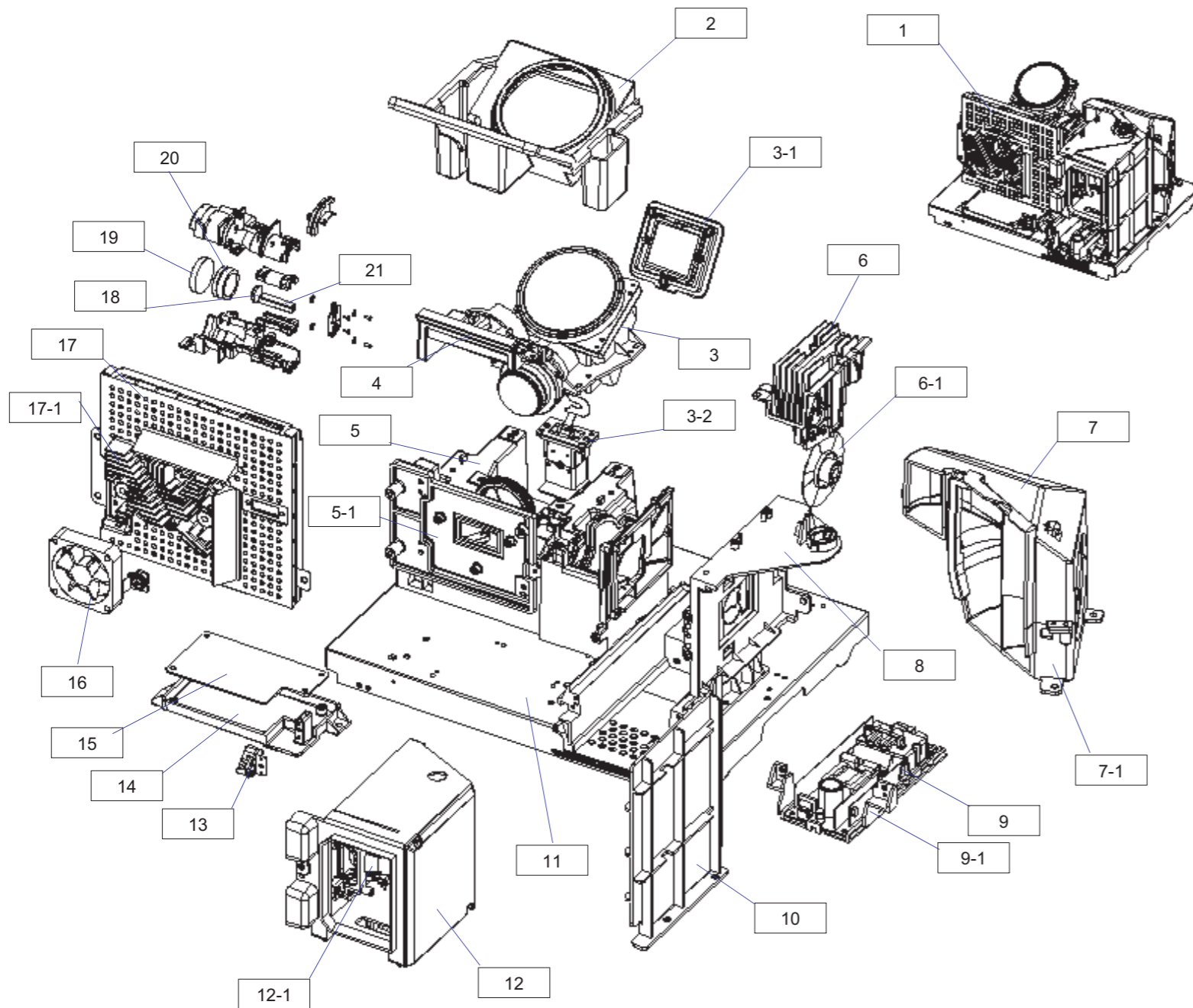
You can search for the updated part code through ITSELF web site.

URL: <http://itself.sec.samsung.co.kr>



Loc.No.	Code No.	Description	Specification	Q'ty	SA/SNA	Remark
CIS7	AA61-60003J	SPRING ETC-CS	-,SUS304,-,-,OD6,N7,OD6,-,	1	S.N.A	
M0006	BP63-00424A	COVER-REAR	61L6,HIPS,HB,GRAY,TOP	1	S.A	
M0006	BP63-00401A	COVER-REAR BOTTOM	50L6,HIPS,V0,GRAY	1	S.N.A	
M0013	BP96-00938C	ASSY COVER P-REAR BOTTOM	L6,HIPS V0,GR50	1	S.A	
M0107	BP61-00892A	BRACKET-PCB	50L3,SECC,T1.0,NTR,TOP(BUILT	1	S.N.A	
M0107	BP61-00893A	BRACKET-PCB	50L3,SECC,T1.0,NTR,BOT(BUILT	1	S.N.A	
M0112	BP63-00422F	COVER-FRONT	61L6,HIPS,HB,BLK,BKM1326R1,S	1	S.N.A	
M0119	BP41-00124B	PCB CONTROL	HLP5063W,FR-4,2L,A,1.6T,245	1	S.N.A	
M0256	BP96-00849F	ASSY BRACKET P-MAIN PCB	L3,L6,L7,SECC,T1	1	S.A	
T0002	BP96-00963B	ASSY COVER P-FRONT BOTTOM	61L6,HIPS,HB,G	1	S.A	
T0003	BP96-00996F	ASSY COVER P-FRONT	61L6,SEA(L65A),HIPS,H	1	S.A	
T0024	BP64-00384B	KNOB-FAMILY	L6,ABS,HB,GRAY,SVM-3012	1	S.N.A	
T0030	BP96-00975B	ASSY COVER P-SIDE	61L6,HIPS,HB,GR503,LEF	1	S.A	
T0030	BP96-00976B	ASSY COVER P-SIDE	61L6,HIPS,HB,GR503,RIG	1	S.A	
T0053	BP67-00165A	SCREEN FRESNEL	61W,1381*790,1.5T	1	S.A	
T0054	BP67-00164A	SCREEN LENTI	61W,1381*790,T2.5	1	S.A	
T0057	BP64-00178A	BADGE-BRAND	ALL,AL,T1.5,78,13.0,-,BLK,SIL	1	S.A	
T0061	BP64-00385A	WINDOW-REMOCON	50L3,PC,VIOLET	1	S.N.A	
T0062	BP61-00530A	HOLDER-POWER	50L3,HIPS HB,GRAY	1	S.N.A	
T0066	BP96-00535E	ASSY COVER P-DUCT	L6,HIPS HB,GRY	1	S.N.A	
T0071	BP64-00382A	INDICATOR-LED	50L3,ABS CLEAR (LG)	1	S.N.A	
T0074	BP59-00071B	REMOCON	HURRICANE,TM76A,200*54*30,ZILOG	1	S.A	
T0082	BP64-00309B	WINDOW LED	50L3,ACRYL,2.0,half-mirror,SE	1	S.N.A	
T0091	BP94-02059F	ASSY PCB MISC-AV SIDE	HLR5667,L64B,L6	1	S.A	
T0120	BP94-02215B	ASSY PCB POWER	HLR5067,HURRICANE,L64B,11	1	S.A	
T0129	BP96-01198C	ASSY ENGINE P-DLP	61L8,PHILIPS 120W,E22	1	S.A	
T0130	BP96-01061A	ASSY COVER P-TERMINAL BOARD	50L8,HIPS V0	1	S.N.A	
T0132	BP94-02229A	ASSY PCB MISC-DIGITAL	HLR5078(L8),L65A,E	1	S.A	
T0138	BP64-00383B	KNOB-HOLDER	L6,ABS,HB,GRAY,SVM3012	1	S.N.A	
T0141	BP97-00961A	ASSY SMD-DIGITAL	HLR5078(L8),L65A,EXCALI	1	S.N.A	
T0145	BP94-02228A	ASSY PCB MISC-ANALOG	HLR5078(L),L65A,EXC	1	S.A	
T0158	BP96-00937C	ASSY COVER P-MAIN	L6 ALL,HIPS, V0,GR503	1	S.A	
T0175	BP96-01278A	ASSY SPEAKER P	8ohm,L6(DLP)_VE,15W	2	S.A	
T0186	BP96-00966B	ASSY COVER P-GRILLE	61L6,HIPS,HB,GR503,S	1	S.A	
T0210	BP61-00984A	BRACKET-SCREEN TOP	56/61L6,AL6063 EXTR,T	1	S.N.A	
T0245	BP94-01714A	ASSY PCB MISC-KEY CONTROL	HLR6768WX/XAA,	1	S.N.A	
T0260	BP67-00098A	MIRROR	FRONT MIRROR 61",GLASS,34.85MM,13	1	S.A	
T0267	BP61-00937A	BRACKET-MIRROR TOP	61L6,AL6063 EXTR	1	S.N.A	
T0268	BP94-01758D	ASSY PCB MISC-RMC LED	HLR6768WX/XAA,L65A	1	S.N.A	
T0268	3903-000144	CBF-POWER CORD	DT,US,BP3/Y,U(IEC C13-RA)	1	S.A	
T0286	BP31-00019A	FAN-DC	F5010L12B2-RS WS,ROBOCOP,PBTP (UL	1	S.A	
T0514	BP61-00915A	BRACKET-SUPPORT	61L6,SECC-1,T1.2,NTR,BAC	2	S.N.A	
T0514	BP61-00918A	BRACKET-SUPPORT	61L6,SECC-1,T1.6,NTR	2	S.N.A	
T0524	BP63-00426A	COVER-GRILLE	61L6,HIPS,HB,GRAY	1	S.N.A	
T0527	BP61-01045A	BRACKET-COVER	L6,SECC-1,T1.2,NTR,BOTTOM	1	S.N.A	
T0852	BP96-00969B	ASSY COVER P-MIDDLE	61L6,HIPS,HB,GR503,S	1	S.N.A	
T0890	BP96-00855A	ASSY FAN P	1B1S,50*50*0.5,1.9,0.19,24,-1	1	S.N.A	
T0903	BP61-00528A	HOLDER-DUST	50L3,HIPS HB,GRAY	2	S.N.A	
T0952	BP63-00294B	COVER DUST-ASSY	L6,HIPS,HB,GRAY	2	S.N.A	

### 4-2 L680 Engine Ass'y



L680 Engine Exploded View List						
No.	Loc. No.	Code No.	Description	Specification	Q'ty	SA/SNA
1	T0129	BP96-01198A	ASSY ENGINE P-DLP	50L8,PHILIPS 120W,E22	1	S.A
2		BP63-00522A	COVER-P-J LENS	L680,ABS,T2.5	1	S.N.A
3		BP67-00222A	LENS-P/J-ASSY	Excalibur,GLASS,NTR,FOV=93	1	S.N.A
3-1		BP64-00548A	GLASS-ACTUATOR	EXCALIBUR,MIRROR,39,34,VC	1	S.N.A
3-2		BP96-00984A	ASSY DYNAMIC BLACK P-SEM	Dynamic Black,S	1	S.N.A
4		BP63-00520A	COVER-MIRROR	L680,PC G/F20,T2.5	1	S.N.A
5		BP61-01033A	BASE-ENGINE	L680,PPS G/F30,T3.0	1	S.N.A
5-1		BP61-01037A	BASE-ENGINE	L680,MG D/C,T3.0,TOP	1	S.N.A
6		BP96-01103A	ASSY COLOR WHEEL P	L6,SERVICE	1	S.A
6-1	T0593	BP64-00475A	GLASS-COLOR WHEEL	65mm NDF,FLOAT GLASS,T	1	S.N.A
7	T0530	BP63-00510A	COVER-LAMP	SVP-50L6HR,PPS G/F30,T2.5	1	S.N.A
7-1		BP63-00517A	COVER-DUCT BOT	SVP-50L6HR,PC G/F20,T3.0	1	S.N.A
8		BP61-00726A	HOUSING-LAMP,BOTTOM 23	SVP-50L3HR,AL D/	1	S.N.A
9	T0049	BP47-00021A	LAMP-BALLAST	EUC 120 P/H11,120W,130mm ca	1	S.A
9-1		BP61-00728A	HOLDER-BALLAST 23	SVP-50L3HR,PC G/F20	1	S.N.A
10	T0530	BP63-00537A	COVER-LAMP	HURRICANE 720P,PC	1	S.N.A
11		BP61-01014A	BRACKET-ENGINE BASE	SVP-50L6HR,SECC,T1.6	1	S.N.A
12		BP96-01073A	ASSY LAMP P	L6,L8(L620,L680),~ 61",Philips 120W	1	S.A
12-1		BP47-00018A	LAMP	UHP 100W/120W 1.0,E22,65*70	1	S.N.A
13		BP91-00775A	ASSY MISC-DETECTOR S/W	HLP5063WX/XAA,L62	1	S.N.A
14		BP61-01116A	HOLDER-INTERFACE	L680,ABS,T2.5,BLACK	1	S.N.A
15		BP94-02230B	ASSY PCB S-DETECTOR-B/D	HLR5078(L8),EXCA	1	S.N.A
16	T0286	BP31-00011A	FAN-DC	AD0612LB-D72GL,P.B.T UL94-Vo,Wire	1	S.A
17	T0027	BP94-02230A	ASSY PCB S-DMD	HLR5078(L8),EXCALIBUR,L65	1	S.N.A
17-1		BP61-01043A	BRACKET-COOLER	L680,AL D/C,T4.0	1	S.N.A
18	T0134	BP67-00218A	MIRROR-LIGHT TUNNEL	Excalibur,GLASS,5.7*	1	S.N.A
19		BP67-00219A	LENS-ILL-E1	Excalibur,NBFD13,NTR,R1:INF,	1	S.N.A
20		BP67-00220A	LENS-ILL E2/E3	Excalibur,FD60,BACED5,NTR	1	S.N.A
21		BP67-00221A	LENS-ILL E4	Excalibur,BACED5,NTR,R1:57.6	1	S.N.A