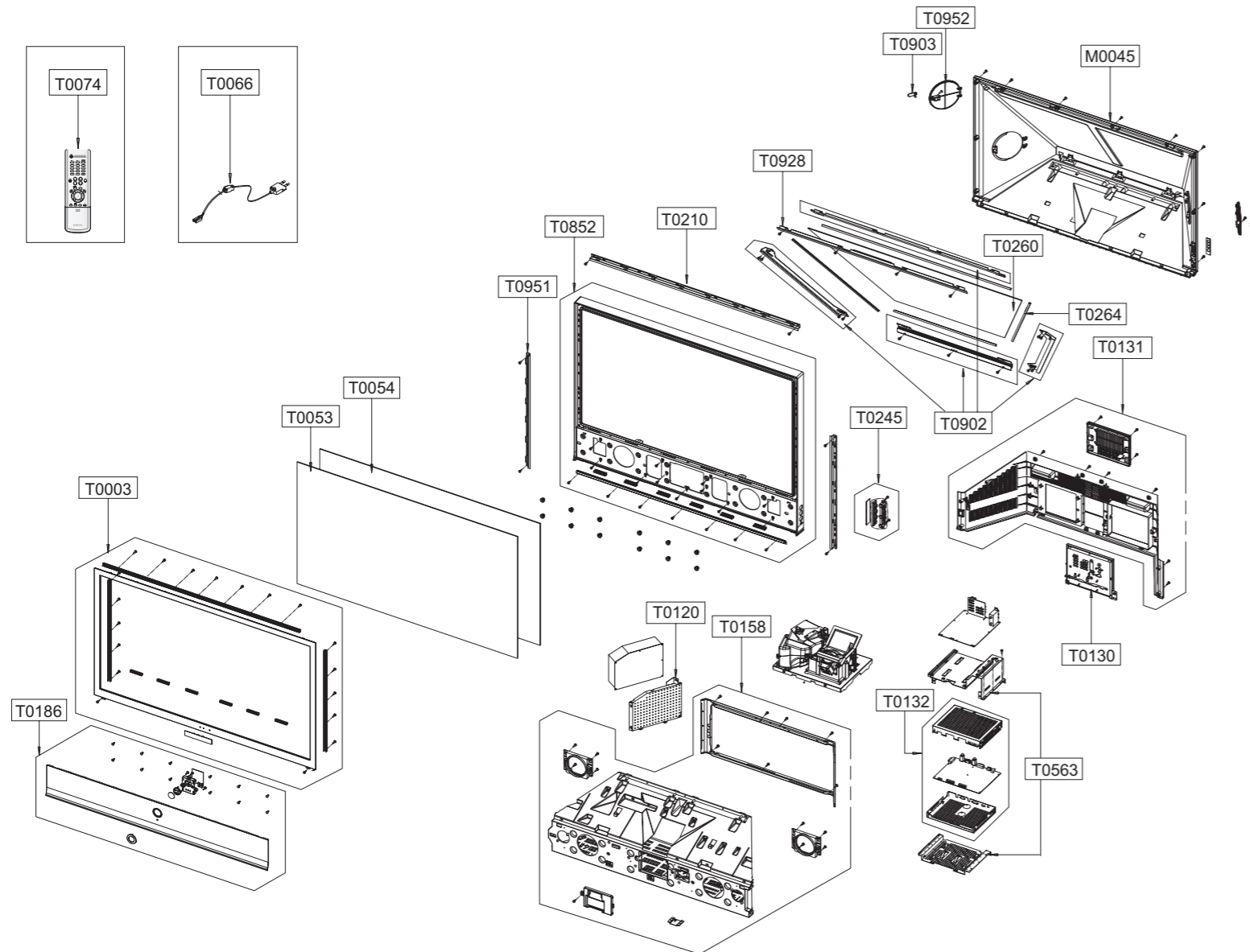


4. Exploded View & Parts List

4-1 HLP4663WX/XAA

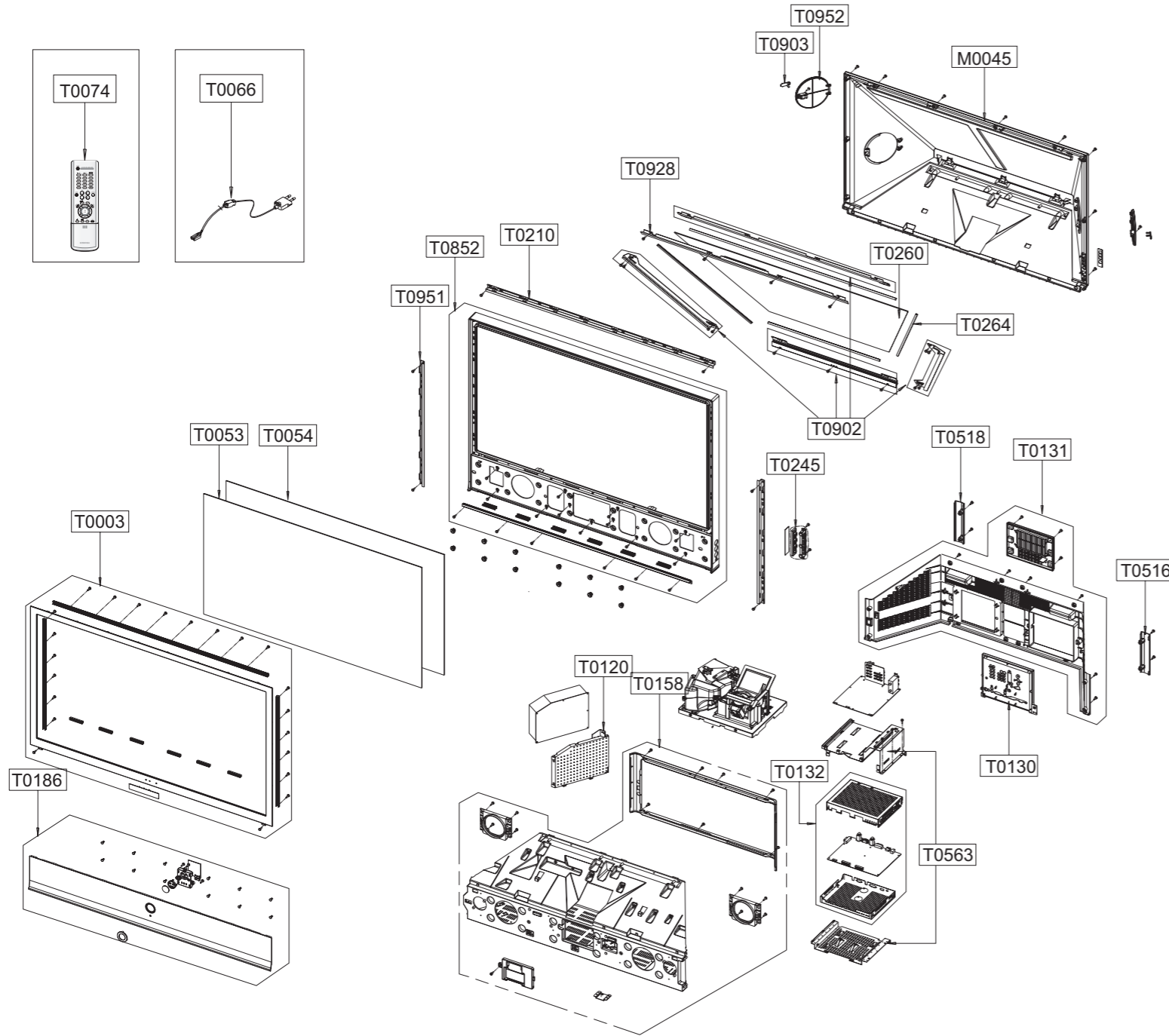
You can search for the updated part code through ITSELF web site.
 URL : <http://itself.sec.samsung.co.kr>



Loc.No.	Code No.	Description;Specification	Q'ty	S.N.A
T0186	BP96-00574D	ASSY COVER P-GRILLE;46L3,SEA,HIPS HB,GR5	1	
T0003	BP96-00572F	ASSY COVER P-FRONT;46L3,HIPS HB,GR503,BK	1	
T0053	BP67-00108A	SCREEN FRESNEL;46W,1021*580.5,2T	1	
T0054	BP67-00107A	SCREEN LENTI;46W,MS,1021*580.5,2T	1	
T0852	BP96-00571F	ASSY COVER P-MIDDLE;46L3,HIPS,HB,GR503,S	1	S.N.A
T0951	BP61-00556A	BRACKET-SCREEN SIDE;46L3,SECC,T 1.0	2	S.N.A
T0210	BP61-00554A	BRACKET-SCREEN, TOP;46L3,SECC,T 1.0	1	S.N.A
T0245	BP94-02140D	ASSY PCB MISC-KEY CONTROL;HLP5063W,L62B,	1	
T0902	BP96-00575A	ASSY MISC P-BRKT MIRROR;46L3,SECC	1	S.N.A
T0260	BP67-00095A	MIRROR;MIRROR FRONT 46",GLASS,1005X530X5	1	
T0264	BP60-00032L	SPACER-MIRROR;50L3,EVA,490,T1.0,28	4	S.N.A
T0928	BP61-00537A	BRACKET-MIRROR TOP(T);50L3,SECC,T 1.6	1	S.N.A
M0045	BP64-00393A	CABINET-BACK, TOP;46L3,HIPS,HB,GRAY	1	
T0952	BP63-00294A	COVER DUST-ASSY;50L3,HIPS HB,GRAY	2	S.N.A
T0903	BP61-00528A	HOLDER-DUST;50L3,HIPS HB,GRAY	2	S.N.A
T0158	BP96-00533C	ASSY COVER P-MAIN;L3 ALL,HIPS,V0,GR503	1	
T0120	BP94-02141H	ASSY PCB POWER;HLP46/50/56/61,L62B,SEA	1	
T0563	BP61-00709B	BRACKET-CHASSIS ASSY;50L3,SECC,T1.0,NEW	1	S.N.A
T0132	BP94-02065A	ASSY PCB MISC-DIGITAL;HLP5063,L62B,BP94-	1	
T0130	BP96-00536A	ASSY COVER P-TERMINAL ANT;50L3,HIPS,V0,G	1	S.N.A
T0131	BP96-00568D	ASSY COVER P-BACK BOT;L3 ALL,HIPS,V0,GRY	1	
T0074	BP59-00048C	REMOCON;ATLANTIS,TM76A,47,SMV-5012,EX	1	
T0066	AA96-20129A	ASSY POWER CORD;-EP2/YES,H/C300,ME301P,	1	S.N.A

4-2 HLP5063WX/XAA

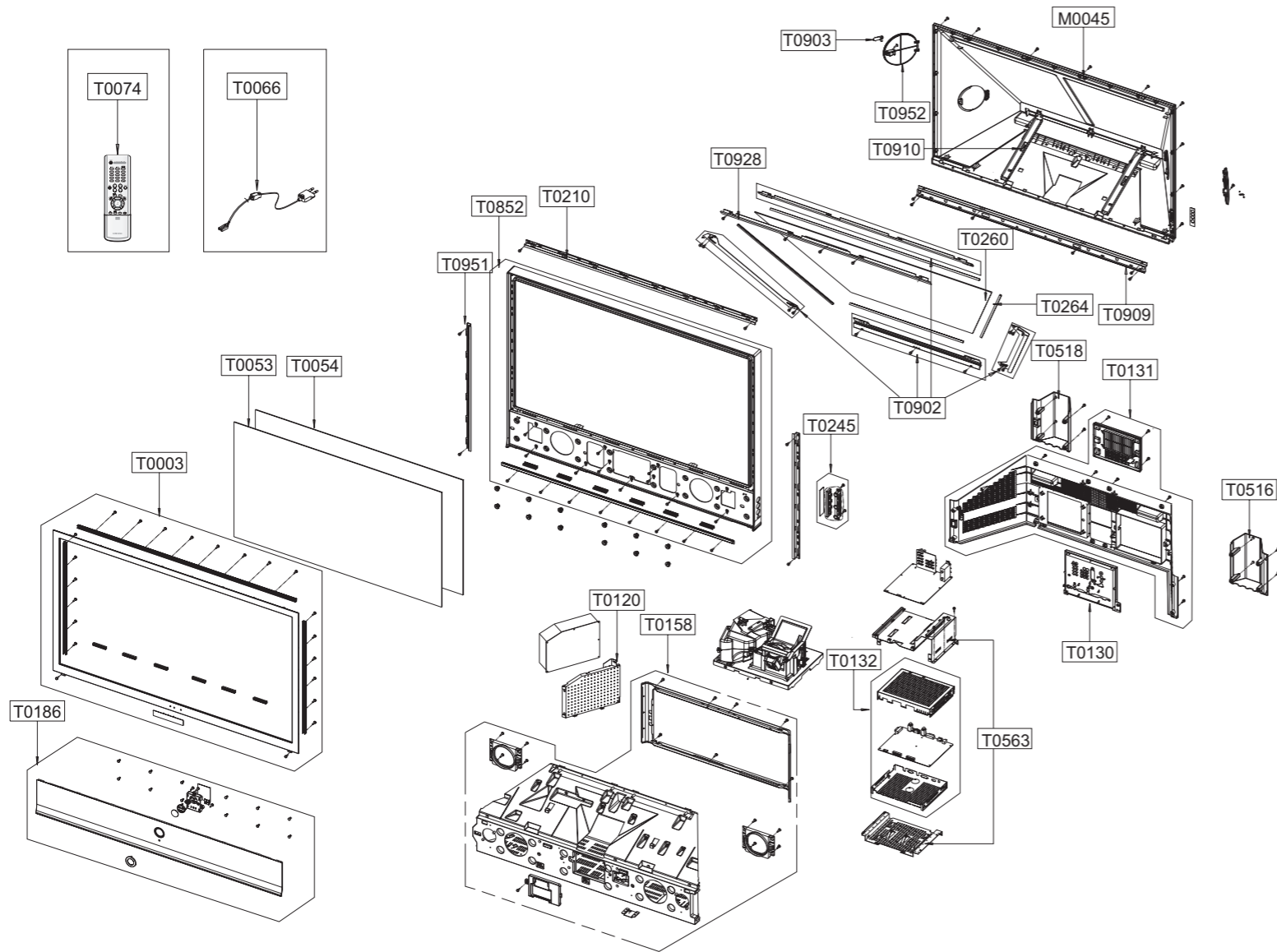
You can search for the updated part code through ITSELF web site.
 URL : <http://itself.sec.samsung.co.kr>



Loc.No.	Code No.	Description;Specification	Q'ty	S.N.A
T0186	BP96-00534D	ASSY COVER P-GRILLE;50L3,HIPS HB,GR503,S	1	
T0003	BP96-00532C	ASSY COVER P-FRONT;50L3,HIPS,HB,GR503,BK	1	
T0053	BP67-00109A	SCREEN FRESNEL;50W,1126*646,2T	1	
T0054	BP67-00153A	SCREEN LENTI;50W,MS,1126*646,2.1T	1	
T0852	BP96-00531C	ASSY COVER P-MIDDLE;50L3,HIPS,HB,GR503,S	1	S.N.A
T0951	BP61-00542A	BRACKET-SCREEN SIDE;50L3,SECC,T1.0	2	S.N.A
T0210	BP61-00540A	BRACKET-SCREEN TOP;50L3,SECC,T1.0	1	S.N.A
T0245	BP94-02140D	ASSY PCB MISC-KEY CONTROL;HLP5063W,L62B,	1	
T0902	BN96-01187A	ASSY MISC P-BRKT MIRROR;50L3,SECC	1	S.N.A
T0260	BP67-00096A	MIRROR;MIRROR FRONT 50",GLASS,1100X580X5	1	
T0264	BP60-00032L	SPACER-MIRROR;50L3,EVA,490,T1.0,28	4	S.N.A
T0928	BP61-00537A	BRACKET-MIRROR TOP(T);50L3,SECC,T 1.6	1	S.N.A
M0045	BP64-00380A	CABINET BACK-TOP;50L3,HIPS,3.5,HB,GRAY	1	
T0952	BP63-00294A	COVER DUST-ASSY;50L3,HIPS HB,GRAY	2	S.N.A
T0903	BP61-00528A	HOLDER-DUST;50L3,HIPS HB,GRAY	2	S.N.A
T0158	BP96-00533C	ASSY COVER P-MAIN;L3 ALL,HIPS,V0,GR503	1	
T0120	BP94-02141H	ASSY PCB POWER;HLP46/50/56/61,L62B,SEA	1	
T0563	BP61-00709B	BRACKET-CHASSIS ASSY;50L3,SECC,T1.0,NEW	1	S.N.A
T0132	BP94-02065A	ASSY PCB MISC-DIGITAL;HLP5063,L62B,BP94-	1	
T0130	BP96-00536A	ASSY COVER P-TERMINAL ANT;50L3,HIPS,V0,G	1	S.N.A
T0131	BP96-00568D	ASSY COVER P-BACK BOT;L3 ALL,HIPS,V0,GRY	1	
T0518	BP61-00526A	HOLDER-BACK LEFT;50L3,HIPS HB,GRAY	1	S.N.A
T0516	BP61-00527A	HOLDER-BACK RIGHT;50L3,HIPS HB,GRAY	1	S.N.A
T0074	BP59-00048C	REMOCON;ATLANTIS,TM76A,47,SMV-5012,EX	1	
T0066	AA96-20129A	ASSY POWER CORD;-;EP2/YES,H/C300,ME301P,	1	S.N.A

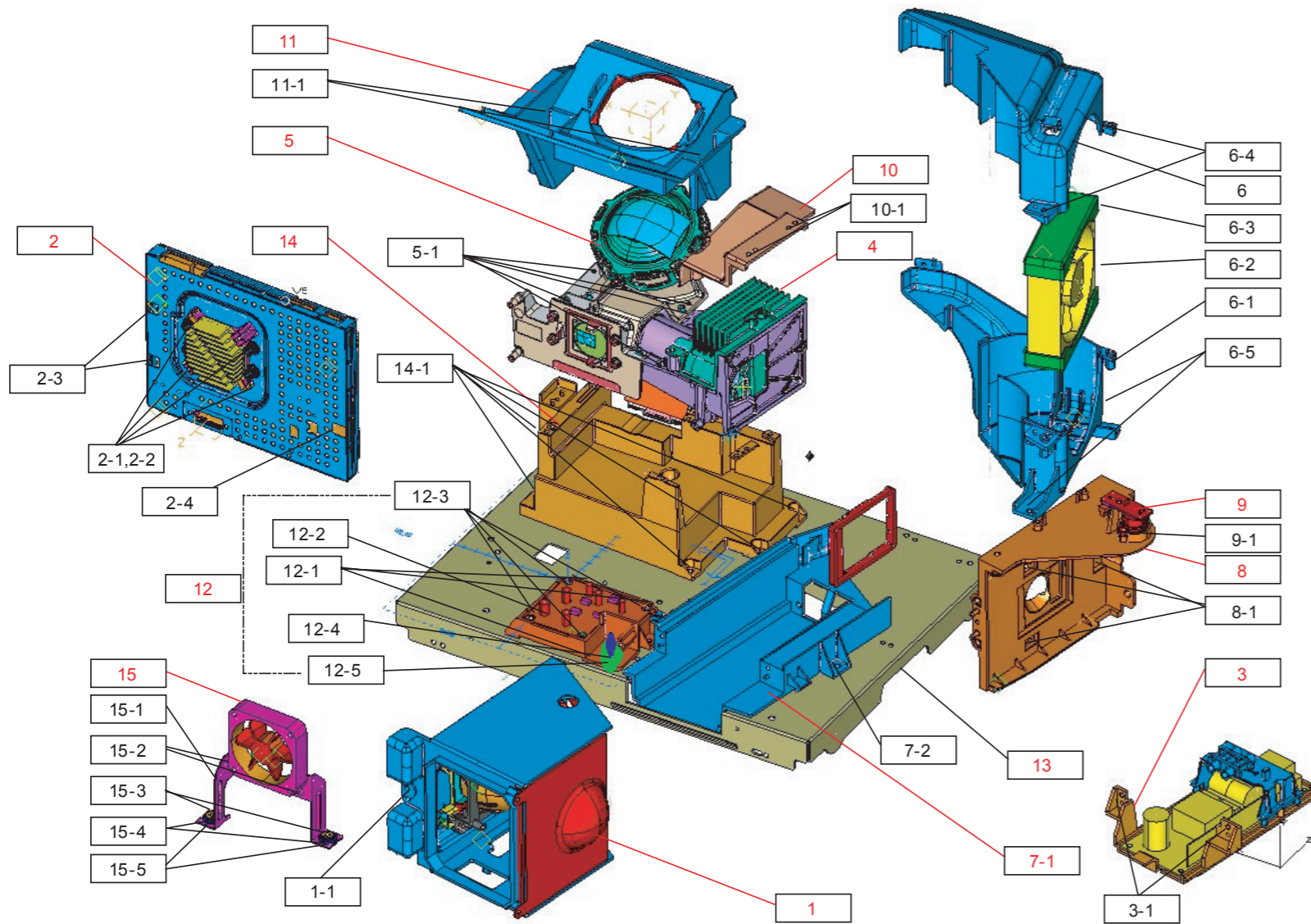
4-4 HLP6163WX/XAA

You can search for the updated part code through ITSELF web site.
 URL : <http://itself.sec.samsung.co.kr>



Loc.No.	Code No.	Description;Specification	Q'ty	S.N.A
T0186	BP96-00588B	ASSY COVER P-GRILLE;61L3,SEA,HIPS HB,GR5	1	S.N.A
T0003	BP96-00586B	ASSY COVER P-FRONT;61L3,HIPS,HB,GR503,BK	1	
T0053	BP67-00112A	SCREEN FRESNEL;61W,1381*790,1.5T	1	
T0054	BP67-00156A	SCREEN LENTI;61W,MS,1381*790,2.1T	1	
T0852	BP96-00584B	ASSY COVER P-MIDDLE;61L3,HIPS,HB,GR503,S	1	S.N.A
T0951	BP61-00577A	BRACKET-SCREEN,SIDE;61L3,AL6063 EXTR,T1.	2	S.N.A
T0210	BP61-00575A	BRACKET-SCREEN,TOP;61L3,AL6063 EXTR,T1.5	1	S.N.A
T0245	BP94-02140E	ASSY PCB MISC-KEY CONTROL;HLP5663/6163W,	1	S.N.A
T0902	BP96-00590A	ASSY MISC P-BRKT MIRROR;61L3,SECC	1	S.N.A
T0260	BP67-00098A	MIRROR;FRONT MIRROR 61",GLASS,34.85MM,13	1	
T0264	BP60-00032M	SPACER-MIRROR;56L3,EVA,620,T1.0,28	4	S.N.A
T0928	BP61-00560A	BRACKET-MIRROR, TOP(T);56L3,AL6063 EXTR,T	1	S.N.A
M0045	BP64-00399A	CABINET BACK-TOP;61L3,HIPS,HB,GRAY	1	
T0952	BP63-00294A	COVER DUST-ASSY;50L3,HIPS HB,GRAY	2	S.N.A
T0903	BP61-00528A	HOLDER-DUST;50L3,HIPS HB,GRAY	2	S.N.A
T0158	BP96-00533C	ASSY COVER P-MAIN;L3 ALL,HIPS,V0,GR503	1	
T0120	BP94-02141H	ASSY PCB POWER;HLP46/50/56/61,L62B,SEA	1	
T0563	BP61-00709B	BRACKET-CHASSIS ASSY;50L3,SECC,T1.0,NEW	1	S.N.A
T0132	BP94-02065A	ASSY PCB MISC-DIGITAL;HLP5063,L62B,BP94-	1	
T0130	BP96-00536A	ASSY COVER P-TERMINAL ANT;50L3,HIPS,V0,G	1	S.N.A
T0131	BP96-00568D	ASSY COVER P-BACK BOT;L3 ALL,HIPS,V0,GRY	1	
T0516	BP61-00568A	HOLDER-BACK,RIGHT;61L3,HIPS V0,GRAY	1	S.N.A
T0518	BP61-00567A	HOLDER-BACK,LEFT;61L3,HIPS V0,GRAY	1	S.N.A
T0909	BP61-00574A	BRACKET-BACK, TOP;61L3,AL6063 EXTR,T2.0,B	1	S.N.A
T0910	BP61-00840A	BRACKET-REAR TOP;61L3,SECC,T1.6	2	S.N.A
T0074	BP59-00048C	REMOCON;ATLANTIS, TM76A,47,SMV-5012,EX	1	
T0066	AA96-20129A	ASSY POWER CORD;-EP2/YES,H/C300,ME301P,	1	S.N.A

4-5 ENGINE ASS'Y



L3 Engine Exploded View List				
NO.	Description	CODE NO.	Specification	Q'TY
1	ASSY LAMP P	BP96-00826A	L3,LAMP SERVICE,PHILIPS 120W,E22	1
1-1	SCREW-MACHINE	6006-001039	WSP,PH,+,M4,L12,ZPC(YEL),SM10C	1
2	ASSY DMD BOARD P	BP96-00678B	L3 PHILIPS,DMD BOARD,SERVICE	1
2-1	SPRING ETC-COIL,DMD	AA61-01195A	B3K,SPRING STEEL	4
2-2	SCREW-MACHINE	6001-000819	PWH,+,-,M3,L30,ZPC(YEL),SWRCH10A,UP,-	4
2-3	SCREW-TAPTITE	6006-000248	PWH,+,-,S,M3,L8,ZPC(YEL),SWRCH18A,P0	2
2-4	SCREW-TAPTITE	6003-000264	PWH,+,B,M3,L6,ZPC(YEL),SWRCH18	1
3	ASSY BALLAST P	BP96-00690A	L3,SERVICE BALLST	1
3-1	SCREW-TAPTITE	6003-001023	PWH,+,B,M3,L10,ZPC(YEL),SWRCH18A,-	2
4	ASSY K/D-COLOR WHEEL	BP98-00489A	L3 ENGINE,SERVICE	1
5	ASSY K/D-OPTIC MODULE	BP98-00490B	L3 ENGINE(FDB),SERVICE	1
5-1	SCREW-TAPTITE	6003-000277	BH,+,B,M3,L12,ZPC(YEL),SWRCH18	5
6	COVER DUCT-TOP23	BP63-00295A	SVP-50L3HR,PC G/F20	1
6-1	COVER DUCT-BOTTOM23	BP63-00296A	SVP-50L3HR,PC G/F20	1
6-2	FAN-DC	BP31-00010B	SVP-50L7XHD,UL94V-0, PBT,Wire Length = 500mm	1
6-3	RUBBER-FAN,LAMP	BP73-00012A	SHP700,NBR,50,LOSS FACTOR>0.02	2
6-4	SCREW-TAPTITE	6003-001023	PWH,+,B,M3,L10,ZPC(YEL),SWRCH18A,-	3
6-5	SCREW-MACHINE	6006-001039	WSP,PH,+,M4,L12,ZPC(YEL),SM10C	3
7	GUIDE-BALLAST 23	BP61-00732A	SVP-50L3HR,PC G/F 20	1
7-1	HOLDER-BALLAST 23	BP61-00728A	SVP-50L3HR,PC G/F20	1
7-2	SCREW-MACHINE	6006-001039	WSP,PH,+,M4,L12,ZPC(YEL),SM10C	3
8	HOUSING-LAMP,BOTTOM 23	BP61-00726A	SVP-50L3HR,AL D/C	1
8-1	SCREW-TAPTITE	6006-000249	PWH M/S (S.P/W) M3*L7 P0.75	3
9	ASSY MISC-THERMOSTAT	BP91-00612A	HLP5063W,L62B	1
9-1	SCREW-MACHINE	6006-001035	PH M/S (S.P/W) M3*L8 P0.5	2
10	COVER-CW 23	BP63-00299A	SVP-50L3HR,PC G/F20	1
10-1	SCREW-MACHINE	6006-001035	PH M/S (S.P/W) M3*L8 P0.5	2
11	COVER-LENS PROJECTION	BP63-00338A	SVP-50L3,PS,T0.3	1
11-1	SCREW-TAPTITE	6003-001023	PWH B-T M3*L10	2
12	HOLDER-INTERFACE	BP61-00668A	SVP-50L3HR,ABS V0 BLK	1
12-1	SCREW-MACHINE	6006-001039	WSP,PH,+,M4,L12,ZPC(YEL),SM10C	3
12-2	ASSY PCB S-ACTUATOR	BP94-02149K	DP,BP41-00121A,L62B,ATLANTIS	1
12-3	SCREW-TAPTITE	6003-001023	PWH B-T M3*L10	4
12-4	ASSY MISC-DETECTOR S/W	BP91-00775A	ASSY MISC-DETECTOR S/W	1
12-5	SCREW-TAPTITE	6003-001023	PWH B-T M3*L10	1
13	BRACKET-BASE 23	BP61-00730A	SVP-50L3HR,SECC,1.6	1
14	HOLDER-BASE	BP61-00590A	DLP L3,PPS G/F30	1
14-1	SCREW-MACHINE	6006-001039	WSP,PH,+,M4,L12,ZPC(YEL),SM10C	6
15	FAN-DC	BP31-00011A	AD0612LB-D72GL,P.B.T UL94-Vo,Wire+Metal Bracket	1
15-1	BRACKET-FAN DMD	BP61-00595A	DLP L3,SECC,T1.0	1
15-2	SCREW-TAPTITE	6006-000250	BH,+,WT,B,M3,L20,ZPC(YEL),SWRCH18A,-	2
15-3	SCREW-TAPTITE	6003-000199	PWH,+,B,M3,L14,ZPC(YEL),SWRCH1	2
15-4	HOLDER-SPACER,RUBBER	BN61-00236A	B3K,BSBM	2
15-5	RUBBER-DAMP FAN	BP73-00040A	HLN507W,CR,30,BLACK,V0	2