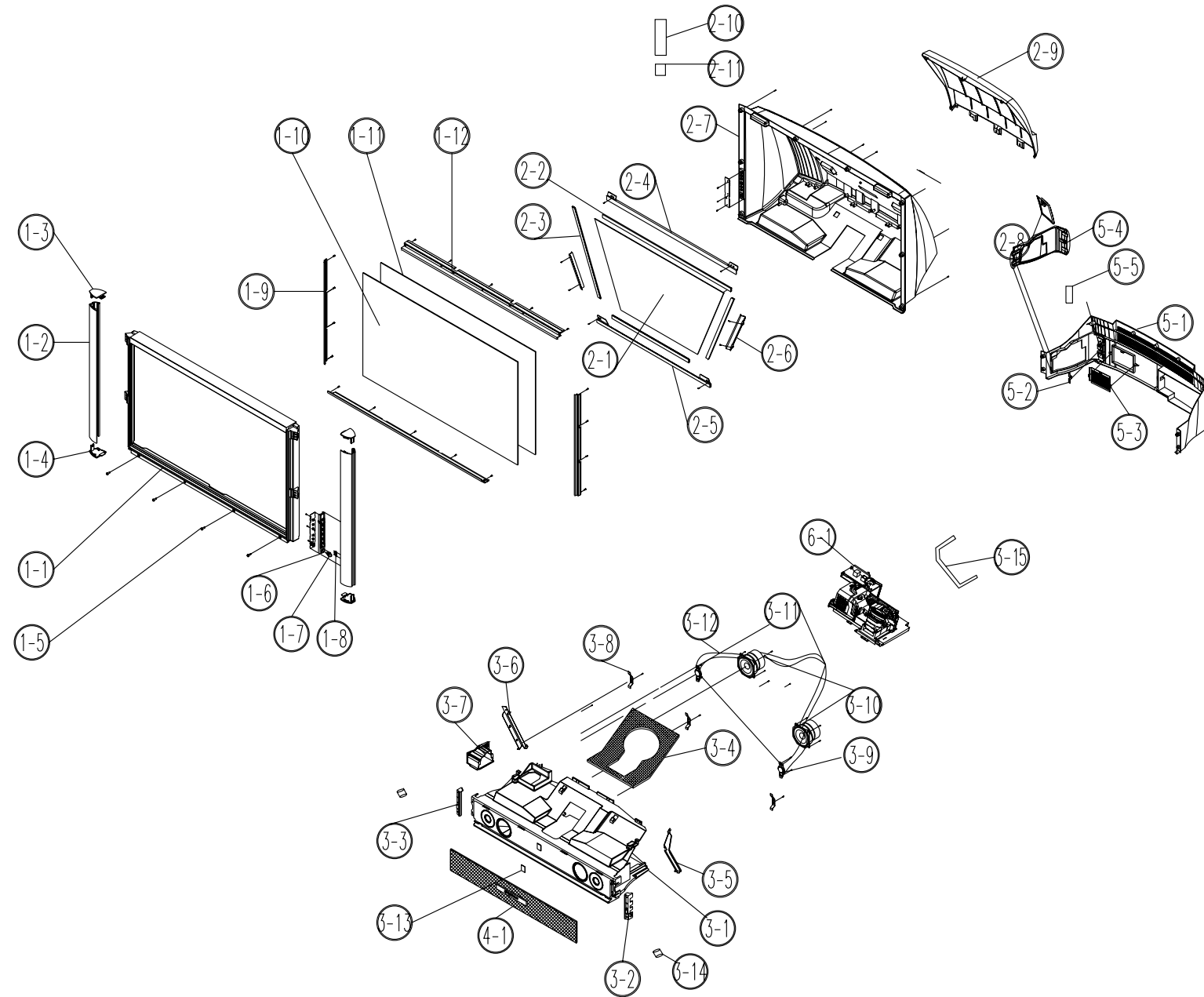


7. Exploded View & Parts List

7-1 HLM4365WX/XAA

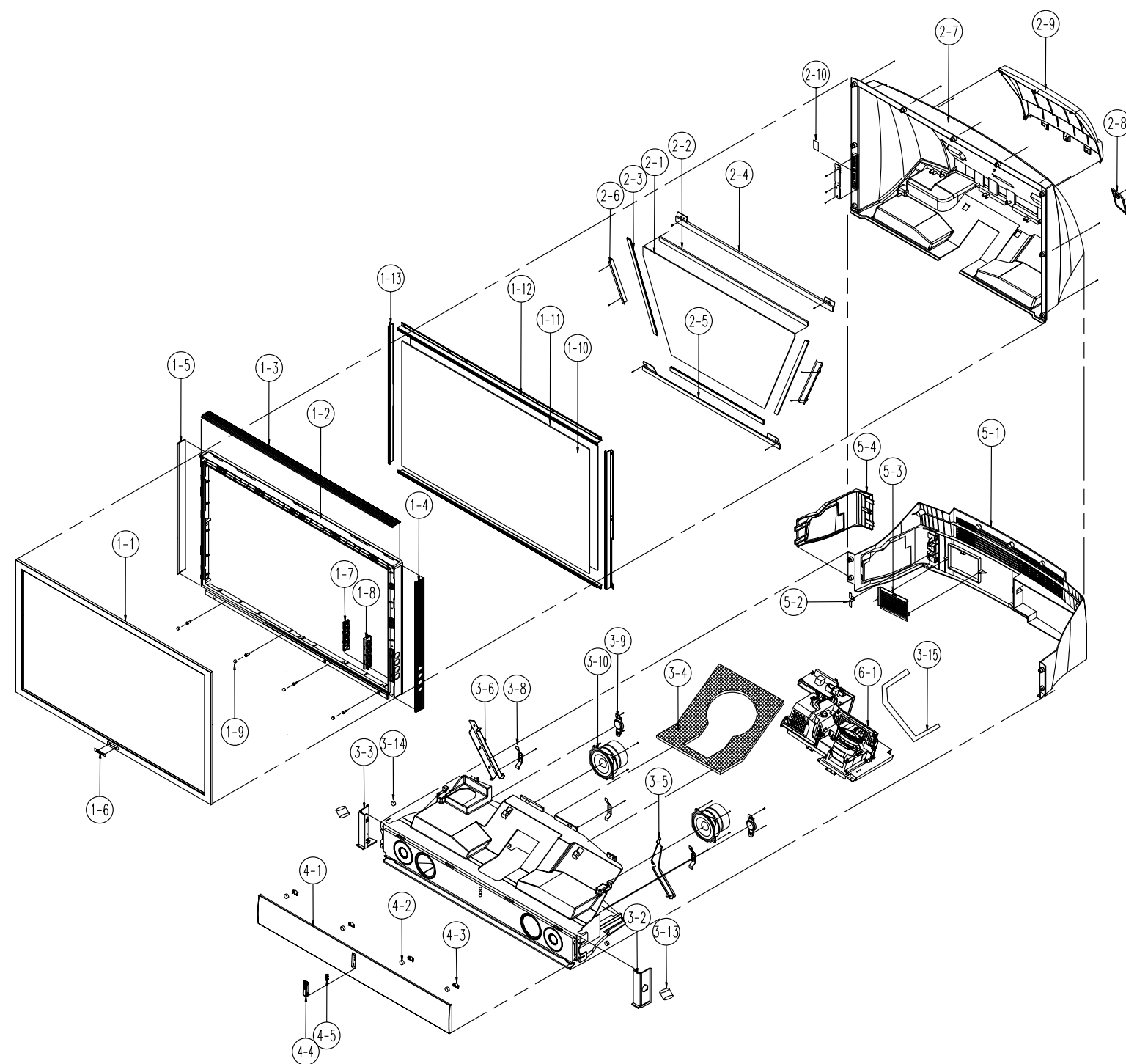
You can search for the updated part code through ITSELF web site.
URL : <http://itself.sec.samsung.co.kr>



No	Code No	Description	Specification	Q'ty	S.N.A
1-1	AA64-00545R	CABINET-FRONT;4365W ,HIPS,HB,GRAY,SVM-11		1	
1-2	AA61-00375N	HOLDER-SIDE,L;43J6,AL6063 EXTR,SENDING N		1	
1-3	AA63-00155C	COVER-TOP;43J6,HIPS,HB,GRAY,SVM-1126		2	S.N.A
1-4	AA63-00156C	COVER-BOTTOM;43J6,HIPS,HB,GRAY,SVM-1126		2	S.N.A
1-5	AA60-00050A	SPACER-FRONT;43J6,NEOPRENE HB,-,-,GRAY		4	S.N.A
1-6	AA64-00554D	KNOB-FAMILY;43J6,ABS,HB,GRAY,UV SVM-1126		1	
1-7	AA64-00587D	KNOB POWER-MASTER;43J6,ABS,VO,UV SVM-112		1	
1-8	AA64-00809B	INDICATOR LED;ST-43J6,ACRYL,-,CLR,-,-,-		1	
1-9	AA61-00405E	BRACKET-SCREEN,SIDE;43J6,AL6063,BLK,EXTR		2	S.N.A
1-10	AA67-00168A	SCREEN-LENTICULAR;43W,MS,T2.0,973*558,-,-		1	
1-11	AA67-00171A	SCREEN-FRESNEL;43W,MS,T1.35,973*558,-,-,-		1	
1-12	AA61-00406E	BRACKET-SCREEN,TOP;43J6,AL6063,BLK,EXTR		2	S.N.A
2-1	BP67-00040A	MIRROR-FRONT,DM1;43,GLASS,810*472*434,F		1	
2-2	AA63-00021J	SPACER-MIRROR;43J6,PVC,-,-,-,BLK,-,-,L81		1	S.N.A
2-3	AA63-00021G	SPACER-MIRROR;524J,434J,PVC,-,-,-,BLK,-,-		3	S.N.A
2-4	AA61-00184B	BRACKET-MIRROR,TOP;43J6,SECC-1,T1.6,-,-,-		1	S.N.A
2-5	AA61-00182B	BRACKET-MIRROR,FLCD;43J6,SECC-1,T1.6,-,-,-		1	S.N.A
2-6	AA61-00361B	BRACKET-SIDE,FLCD;43J6,SECC-1,T1.0,-,-,-,B		2	S.N.A
2-7	AA64-00546C	CABINET-BACK, TOP;43L2,HIPS,VO,G4309		1	
2-8	AA63-00157C	COVER-DUST;43L2,HIPS,VO,G4309		1	S.N.A
2-9	AA63-00599A	COVER-BACK;507W,HIPS,VO,GRY,G4309		1	S.N.A
2-10	AA64-00890F	INLAY-CONTROL;50L2,PS-SHEET,T0.3		1	
2-11	AA60-00047B	SPACER-SIDE,JACK;43L2,NEOPRENE,GRAY,VO		1	S.N.A
3-1	AA64-00548G	CABINET-MAIN;43J6,HIPS,VO,G4309,SMV-1126		1	
3-2	AA61-00176H	HOLDER-SIDE,R;43J6,AL6063 EXTR,SILVER B-		1	
3-3	AA61-00375N	HOLDER-SIDE,L;43J6,AL6063 EXTR,SENDING N		1	
3-4	AA60-00033B	SPACER-LENS;43J6,P/U-FOAM V0 D45,BLK,T3.		1	S.N.A
3-5	AA61-00853B	BRACKET-SUPPORT,L;50J6,SECC-1,T1.6,NTR		1	S.N.A
3-6	AA61-01202A	BRACKET-SUPPORT;507W,SECC-1,T1.6,NTR		1	
3-8	AA61-00165B	BRACKET-GRILLE;43J6,SECC-1,T1.0,-,-,-,BLK,		3	S.N.A
3-9	3001-001144	SPEAKER;25W,7ohm,88dB,1.6KHz		2	
3-10	3001-001282	SPEAKER;25W,80HM,90DB,55HZ		2	
3-11	BP39-00044A	LEAD CONNECTOR;L62A/HLM507W,UL1007#22,UL		1	
3-12	AA39-00086A	LEAD CONNECTOR-ASSY;;2.2UF,REC,REC,200MM		2	
3-13	AA64-01967B	INLAY-MAIN;43J6,PS SHEET,T1.0,-,-,-,GRAY,-		1	
3-14	AA63-60117A	SPACER-FOOT;SVP403J,NEOPRENE,-,-,-,BLK,-		2	S.N.A
3-15	AA61-01203A	BRACKET-SUPPORT,BACK;507W,SECC-1,T1.6,BL		1	
4-1	AA91-00292C	ASSY-COVER,GRILLE;;JERSEY LG-112,43J6		1	
5-1	AA64-02831A	CABINET-BACK,BOT;507W,HIPS,VO,GRY,G4309		1	
5-2	AA61-10379B	BRACKET-COVER;SP43J6,SECC-1,T1.0,-,-,-,-		1	S.N.A
5-3	AA61-01201A	BRACKET-DUCT,OUT;507W,SECC-1,T0.8,BLK		1	
5-4	AA63-00598A	COVER-LAMP;507W,HIPS,VO,GRY,G4309		1	S.N.A
5-5	AA64-00578B	INLAY-LAMP;43J6,PS SHEET,T0.3,-,-,-,BLK,-		1	S.N.A
6-1	BP96-00087C	ASSY MISC P-ENGINE MECHA;43 DLP,ENGINE,		1	

7-2 HLN4365WX/XAA

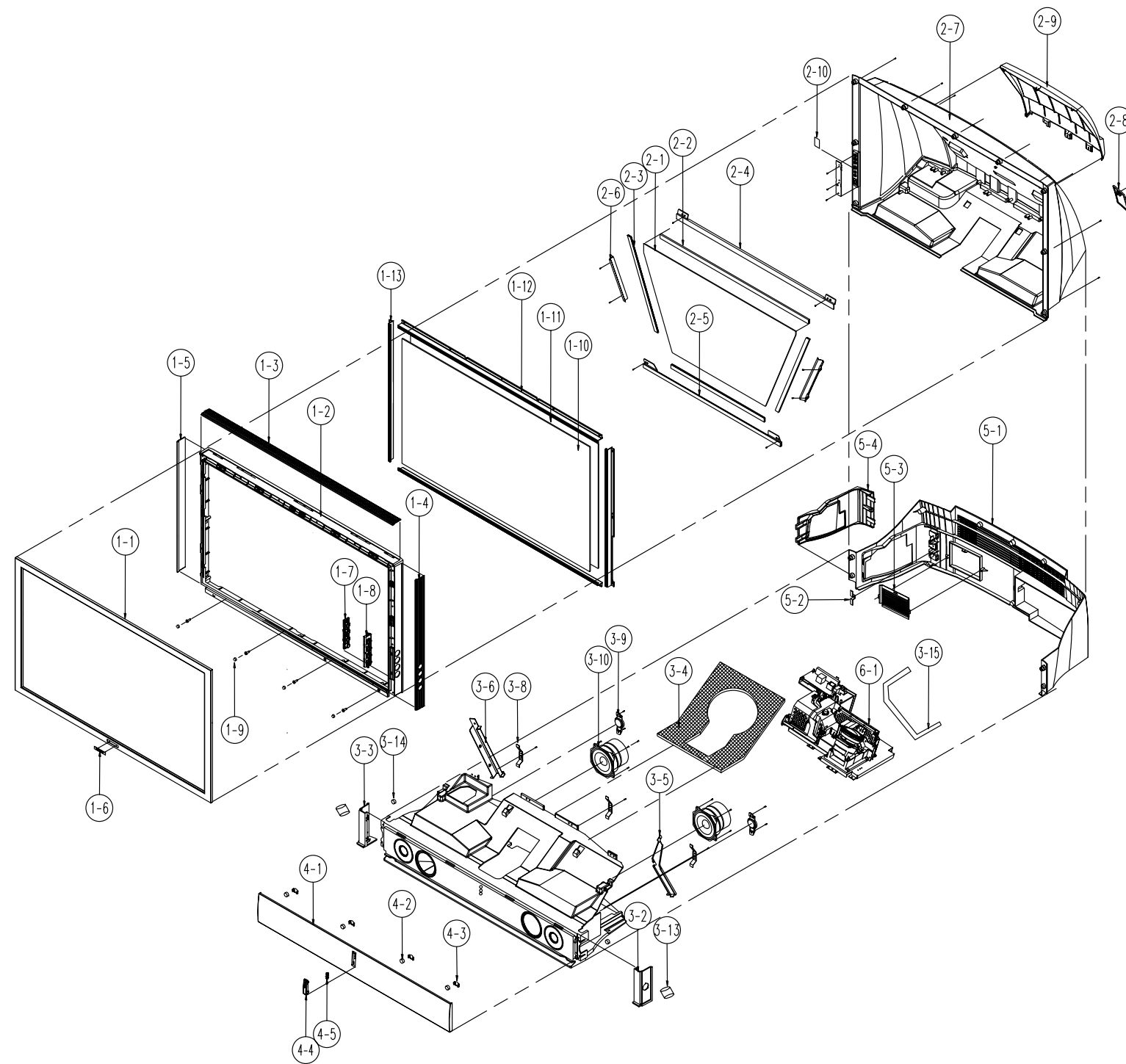
You can search for the updated part code through ITSELF web site.
 URL : <http://itself.sec.samsung.co.kr>



No	Code No	Description	Specification	Q'ty	S.N.A
1-1	AA64-01788K	CABINET-FRONT;43L2,XAA,HIPS,HB,G4309,SV0		1	
1-2	AA64-01791B	CABINET-MIDDLE;43L2,HIPS,HB,G4309,SV-012		1	S.N.A
1-3	BP63-00031A	COVER-DECO, TOP;43L2,ABS,HB,BLK,SV-704P,		1	S.N.A
1-4	BP63-00035A	COVER-DECO,R;43L2,ABS,HB,BLK,SV-704P, 71		1	S.N.A
1-5	BP63-00033A	COVER-DECO,L;43L2,ABS,HB,BLK,SV-704P, 71		1	S.N.A
1-6	AA64-00406K	BADGE-BRAND;,AL,72,FORGING,SILVER,SAMSUN		1	S.N.A
1-7	AA64-01793B	KNOB-FAMILY;43L2,ABS,HB,G3676,SVM-3012		1	
1-8	AA64-01794B	KNOB-HOLDER;43L2,ABS,HB,G3676,VACCUM PLA		1	
1-9	AA60-00050A	SPACER-FRONT;43J6,NEOPRENE HB,-,-,-,GRAY		4	S.N.A
1-10	AA67-00168A	SCREEN-LENTICULAR;43W,MS,T2.0,973*558,-,-,		1	
1-11	AA67-00171A	SCREEN-FRESNEL;43W,MS,T1.35,973*558,-,-,		1	
1-12	AA61-01136A	BRACKET-SCREEN, TOP;43,AL6063 EXTR,BLK		2	
1-13	AA61-01137A	BRACKET-SCREEN, SIDE;43,AL6063 EXTR,BLK		2	
2-1	BP67-00040A	MIRROR-FRONT,DM1;43,GLASS,810*472*434,F		1	
2-2	AA63-00021J	SPACER-MIRROR;43J6,PVC,-,-,-,BLK,-,-,L81		1	S.N.A
2-3	AA63-00021G	SPACER-MIRROR;524J,434J,PVC,-,-,-,BLK,-,-,		3	S.N.A
2-4	AA61-00184B	BRACKET-MIRROR, TOP;43J6,SECC-1,T1.6,-,-,-,		1	S.N.A
2-5	AA61-00182B	BRACKET-MIRROR, FLCD;43J6,SECC-1,T1.6,-,-,-,		1	S.N.A
2-6	AA61-00361B	BRACKET-SIDE, FLCD;43J6,SECC-1,T1.0,-,-,-,B		2	S.N.A
2-7	AA64-00546C	CABINET-BACK, TOP;43L2,HIPS,VO,G4309		1	
2-8	AA63-00157C	COVER-DUST;43L2,HIPS,VO,G4309		1	S.N.A
2-9	AA63-00599A	COVER-BACK;507W,HIPS,VO,GRY,G4309		1	S.N.A
2-10	AA64-00890F	INLAY-CONTROL;50L2,PS-SHEET,T0.3		1	
3-1	AA64-00548D	CABINET-MAIN;43J6,HIPS,VO,G4309,SV-012P		1	S.N.A
3-2	AA61-00652B	HOLDER-SIDE,R;43L2,HIPS,G4309,HB SV-012P		1	S.N.A
3-3	AA61-00655B	HOLDER-SIDE,L;43L2,HIPS,G4309,HB SV-012P		1	S.N.A
3-4	AA60-00033B	SPACER-LENS;43J6,P/U-FOAM VO D45,BLK,T3.		1	S.N.A
3-5	AA61-00853B	BRACKET-SUPPORT,L;50J6,SECC-1,T1.6,NTR		1	S.N.A
3-6	AA61-01202A	BRACKET-SUPPORT;507W,SECC-1,T1.6,NTR		1	
3-8	AA61-00165B	BRACKET-GRILLE;43J6,SECC-1,T1.0,-,-,-,BLK,		3	S.N.A
3-9	3001-001144	SPEAKER;25W,7ohm,88dB,1.6KHz		2	
3-10	3001-001282	SPEAKER;25W,80HM,90DB,55HZ		2	
3-11	BP39-00044A	LEAD CONNECTOR;L62A/HLM507W,UL1007#22,UL		1	
3-12	AA39-00086A	LEAD CONNECTOR-ASSY;2.2UF,REC,REC,200MM		2	
3-13	AA63-60117A	SPACER-FOOT;SVP403J,NEOPRENE,-,-,-,BLK,-,-		2	S.N.A
3-14	AA61-00678B	HOLDER-BOSS;50J6,HIPS,NTR,HB		2	S.N.A
3-15	AA61-01203A	BRACKET-SUPPORT, BACK;507W,SECC-1,T1.6,BL		1	
4-1	AA64-00406K	BADGE-BRAND;,AL,72,FORGING,SILVER,SAMSUN		1	S.N.A
4-2	AA61-00651B	HOLDER-MAGNET,BOT;50L2,ABS,G3676,HB		4	S.N.A
4-3	AA61-00206A	MAGNET-GRILLE;43J6,P115X3T,-,-,-,-		4	S.N.A
4-4	BP64-00071A	INDICATOR LED;507W,ACRYL		1	S.N.A
4-5		HOLDER-INDICATOR;43L2,ABS,G3676,HB VACCU		1	
5-1	AA64-02831A	CABINET-BACK, BOT;507W,HIPS,VO,GRY,G4309		1	
5-2	AA61-10379B	BRACKET-COVER;SP43J6,SECC-1,T1.0,-,-,-,-		1	S.N.A
5-3	AA61-01201A	BRACKET-DUCT, OUT;507W,SECC-1,T0.8,BLK		1	
5-4	AA63-00598A	COVER-LAMP;507W,HIPS,VO,GRY,G4309		1	S.N.A
6-1	BP96-00087C	ASSY MISC P-ENGINE MECHA;43 DLP,ENGINE,		1	

7-3 HLM437WX/XAA

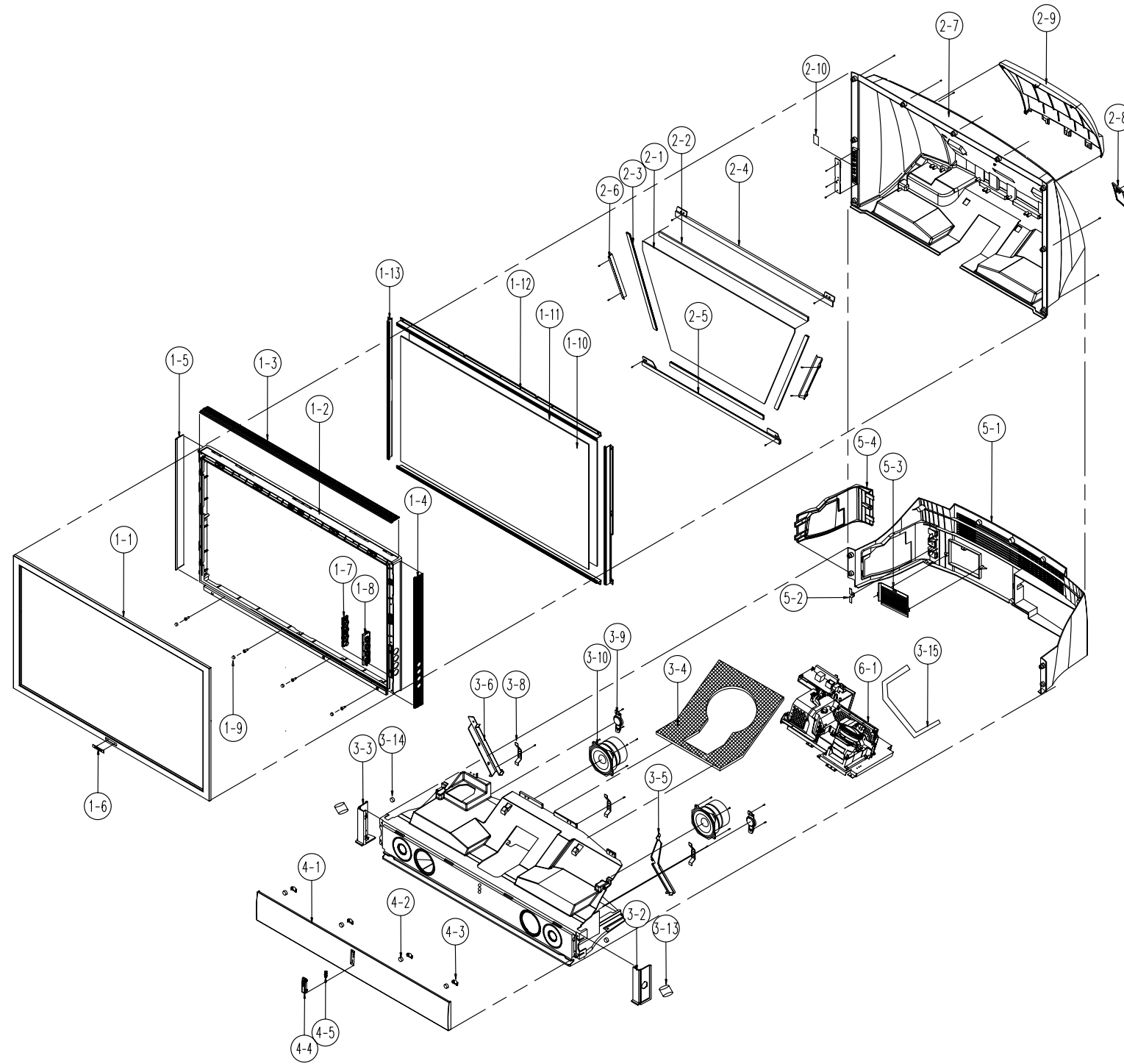
You can search for the updated part code through ITSELF web site.
URL : <http://itself.sec.samsung.co.kr>



No	Code No	Description	Specification	Q'ty	S.N.A
1-1	AA64-01788F	CABINET-FRONT;43L2,HIPS,HB,G4309,SV012P+		1	S.N.A
1-2	AA64-01791B	CABINET-MIDDLE;43L2,HIPS,HB,G4309,SV-012		1	
1-3	BP63-00031A	COVER-DECO, TOP;43L2,ABS,HB,BLK,SV-704P,		1	S.N.A
1-4	BP63-00035A	COVER-DECO,R;43L2,ABS,HB,BLK,SV-704P, 71		1	S.N.A
1-5	BP63-00033A	COVER-DECO,L;43L2,ABS,HB,BLK,SV-704P, 71		1	S.N.A
1-6	AA64-00406K	BADGE-BRAND;AL,72,FORGING,SILVER,SAMSUN		1	S.N.A
1-7	AA64-01793B	KNOB-FAMILY;43L2,ABS,HB,G3676,SVM-3012		1	
1-8	AA64-01794B	KNOB-HOLDER;43L2,ABS,HB,G3676,VACCU PLA		1	
1-9	AA60-00050A	SPACER-FRONT;43J6,NEOPRENE HB,-,-,-,GRAY		4	S.N.A
1-10	AA67-00168A	SCREEN-LENTICULAR;43W,MS,T2.0,973*558,-,-,		1	
1-11	AA67-00171A	SCREEN-FRESNEL;43W,MS,T1.35,973*558,-,-,		1	
1-12	AA61-01136A	BRACKET-SCREEN, TOP;43,AL6063 EXTR,BLK		2	
1-13	AA61-01137A	BRACKET-SCREEN, SIDE;43,AL6063 EXTR,BLK		2	
2-1	BP67-00040A	MIRROR-FRONT,DM1;43,GLASS,810*472*434,F		1	
2-2	AA63-00021J	SPACER-MIRROR;43J6,PVC,-,-,-,BLK,-,-,L81		1	S.N.A
2-3	AA63-00021G	SPACER-MIRROR;524J,434J,PVC,-,-,-,BLK,-,-,		3	S.N.A
2-4	AA61-00184B	BRACKET-MIRROR, TOP;43J6,SECC-1,T1.6,-,-,		1	S.N.A
2-5	AA61-00182B	BRACKET-MIRROR, FLCD;43J6,SECC-1,T1.6,-,-,		1	S.N.A
2-6	AA61-00361B	BRACKET-SIDE, FLCD;43J6,SECC-1,T1.0,-,-,B		2	S.N.A
2-7	AA64-00546C	CABINET-BACK, TOP;43L2,HIPS,VO,G4309		1	
2-8	AA63-00157C	COVER-DUST;43L2,HIPS,VO,G4309		1	S.N.A
2-9	AA63-00599A	COVER-BACK;507W,HIPS,VO,GRY,G4309		1	S.N.A
2-10	AA64-00890F	INLAY-CONTROL;50L2,PS-SHEET,TO.3		1	
3-1	AA64-00548D	CABINET-MAIN;43J6,HIPS,VO,G4309,SV-012P		1	S.N.A
3-2	AA61-00652B	HOLDER-SIDE,R;43L2,HIPS,G4309,HB SV-012P		1	S.N.A
3-3	AA61-00655B	HOLDER-SIDE,L;43L2,HIPS,G4309,HB SV-012P		1	S.N.A
3-4	AA60-00033B	SPACER-LENS;43J6,P/U-FOAM VO D45,BLK,T3.		1	S.N.A
3-5	AA61-00853B	BRACKET-SUPPORT,L;50J6,SECC-1,T1.6,NTR		1	S.N.A
3-6	AA61-01202A	BRACKET-SUPPORT;507W,SECC-1,T1.6,NTR		1	
3-8	AA61-00165B	BRACKET-GRILLE;43J6,SECC-1,T1.0,-,-,BLK,		3	S.N.A
3-9	3001-001144	SPEAKER;25W,7ohm,88dB,1.6KHz		2	
3-10	3001-001282	SPEAKER;25W,80HM,90DB,55HZ		2	
3-11	BP39-00044A	LEAD CONNECTOR;L62A/HLM507W,UL1007#22,UL		1	
3-12	AA39-00086A	LEAD CONNECTOR-ASSY;2.2UF,REC,REC,200MM		2	
3-13	AA63-60117A	SPACER-FOOT;SVP403J,NEOPRENE,-,-,-,BLK,-		2	S.N.A
3-14	AA61-00678B	HOLDER-BOSS;50J6,HIPS,NTR,HB		2	S.N.A
3-15	AA61-01203A	BRACKET-SUPPORT, BACK;507W,SECC-1,T1.6,BL		1	
4-1	AA63-00430B	COVER-GRILLE;50L2,HIPS,HB,G4309,SV-012P		1	S.N.A
4-2	AA61-00651B	HOLDER-MAGNET,BOT;50L2,ABS,G3676,HB		4	S.N.A
4-3	AA61-00206A	MAGNET-GRILLE;43J6,PI15X3T,-,-,-,-		4	S.N.A
4-4	AA64-01792B	INDICATOR LED;50L2,ACRYL,CLEAR		1	
4-5	AA61-00656C	HOLDER-INDICATOR;43L2,ABS,G3676,HB VACCU		1	
5-1	AA64-02831A	CABINET-BACK, BOT;507W,HIPS,VO, GRY,G4309		1	
5-2	AA61-10379B	BRACKET-COVER;SP43J6,SECC-1,T1.0,-,-,-,-		1	S.N.A
5-3	AA61-01201A	BRACKET-DUCT, OUT;507W,SECC-1,TO.8,BLK		1	
5-4	AA63-00598A	COVER-LAMP;507W,HIPS,VO, GRY,G4309		1	S.N.A
6-1	BP96-00087C	ASSY MISC P-ENGINE MECHA;43 DLP,ENGINE,		1	S.N.A

7-4 HLN437WX/XAA

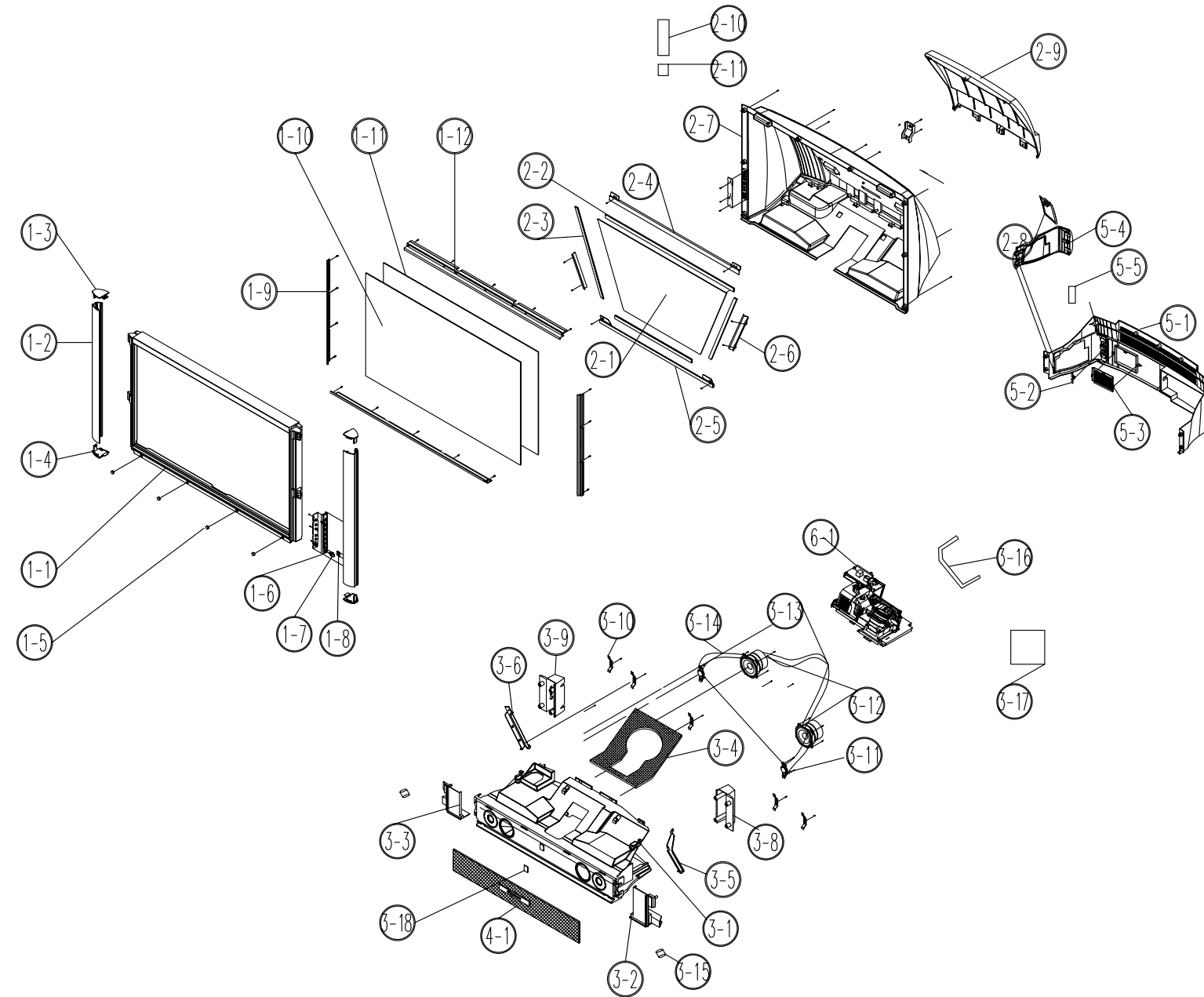
You can search for the updated part code through ITSELF web site.
 URL : <http://itself.sec.samsung.co.kr>



No	Code No	Description	Specification	Q'ty	S.N.A
1-1	AA64-01788G	CABINET-FRONT;43L2,HIPS,HB,GRY,DGM1262,X		1	S.N.A
1-2	AA64-01791B	CABINET-MIDDLE;43L2,HIPS,HB,G4309,SV-012		1	S.N.A
1-3	BP63-00031A	COVER-DECO, TOP;43L2,ABS,HB,BLK,SV-704P,		1	S.N.A
1-4	BP63-00035A	COVER-DECO,R;43L2,ABS,HB,BLK,SV-704P, 71		1	S.N.A
1-5	BP63-00033A	COVER-DECO,L;43L2,ABS,HB,BLK,SV-704P, 71		1	S.N.A
1-6	BP64-00177A	BADGE-BRAND;ALL,AL,T1.5,70,11.3.,BLK,SIL		1	S.N.A
1-7	AA64-01793B	KNOB-FAMILY;43L2,ABS,HB,G3676,SVM-3012		1	
1-8	AA64-01794B	KNOB-HOLDER;43L2,ABS,HB,G3676,VACCUM PLA		1	
1-9	AA60-00050A	SPACER-FRONT;43J6,NEOPRENE HB,-,-,GRAY		4	S.N.A
1-10	AA67-00168A	SCREEN LENTI;LENTICUALR,43W,MS,973*558,T		1	
1-11	AA67-00171A	SCREEN FRESNEL;43W,MS,973*558,T1.35,43-T		1	
1-12	AA61-01136A	BRACKET-SCREEN, TOP;43,AL6063 EXTR,BLK		2	S.N.A
1-13	AA61-01137A	BRACKET-SCREEN, SIDE;43,AL6063 EXTR,BLK		2	S.N.A
2-1	BP67-00040A	MIRROR-FRONT,DM1;43,GLASS,810*472*434,F		1	
2-2	AA63-00021J	SPACER-MIRROR;43J6,PVC,-,-,BLK,-,-,L81		1	S.N.A
2-3	AA63-00021G	SPACER-MIRROR;524J,434J,PVC,-,-,BLK,-,-		3	S.N.A
2-4	AA61-00184B	BRACKET-MIRROR, TOP;43J6,SECC-1,T1.6,-,-		1	S.N.A
2-5	AA61-00182B	BRACKET-MIRROR,FLCD;43J6,SECC-1,T1.6,-,-		1	S.N.A
2-6	AA61-00361B	BRACKET-SIDE,FLCD;43J6,SECC-1,T1.0,-,-,B		2	S.N.A
2-7	AA64-00546C	CABINET-BACK, TOP;43L2,HIPS,VO,G4309		1	
2-8	AA63-00157C	COVER-DUST;43L2,HIPS,VO,G4309		1	S.N.A
2-9	AA63-00599A	COVER-BACK;507W,HIPS,VO,GRY,G4309		1	
2-10	AA64-00890F	INLAY-A/V;50L2,PS-SHEET,TO.3,DG-703P		1	S.N.A
3-1	AA64-00548D	CABINET-MAIN;43J6,HIPS,VO,GRY		1	S.N.A
3-2	AA61-00652B	HOLDER-SIDE,R;43L2,HIPS,G4309,HB SV-012P		1	S.N.A
3-3	AA61-00655B	HOLDER-SIDE,L;43L2,HIPS,G4309,HB SV-012P		1	S.N.A
3-4	AA60-00033B	SPACER-LENS;43J6,P/U-FOAM VO D45,BLK,T3.		1	S.N.A
3-5	AA61-00853B	BRACKET-SUPPORT,L;50J6,SECC-1,T1.6,NTR		1	S.N.A
3-6	AA61-01202A	BRACKET-SUPPORT;507W,SECC-1,T1.6,NTR		1	S.N.A
3-7	AA61-01199A	GUIDE-LAMP;507W,HIPS VO,GRY,G4309		1	
3-8	AA61-00165B	BRACKET-GRILLE;43J6,SECC-1,T1.0,-,-,BLK,		4	S.N.A
3-9	3001-001144	SPEAKER;25W,70HM,88DB,1.6KHZ		2	
3-10	3001-001282	SPEAKER;25W,80HM,90DB,55HZ		2	
3-11	BP39-00044A	LEAD CONNECTOR;L62A/HLM507W,UL1007#22,UL		1	
3-12	AA39-00086A	LEAD CONNECTOR-ASSY;2.2UF,200MM,REC,REC		2	
3-13	AA63-60117A	SPACER-FOOT;SVP403J,NEOPRENE,-,-,BLK,-		2	S.N.A
3-14	AA61-00678B	HOLDER-BOSS;43/50L2,HIPS,NTR,HB		2	S.N.A
3-15	AA61-01203A	BRACKET-SUPPORT,BACK;507W,SECC-1,T1.6,BL		1	S.N.A
4-1	BP63-00041A	COVER-GRILLE;43L2,HIPS,HB,GRAY		1	S.N.A
4-2	AA61-00651B	HOLDER-MAGNET,BOT;50L2,ABS,G3676,HB		2	S.N.A
4-3	AA61-00206A	MAGNET-GRILLE;43J6,P115X3T,-,-,-		2	S.N.A
4-4	BP64-00071A	INDICATOR LED;507W,ACRYL		1	S.N.A
4-5		HOLDER-INDICATOR;43L2,ABS,G3676,HB VACCU		1	
5-1	AA64-02831A	CABINET-BACK,BOT;507W,HIPS,VO,GRY,G4309		1	
5-2	AA61-10379B	BRACKET-COVER;SP43J6,SECC-1,T1.0,-,-,-		1	S.N.A
5-3	AA61-01201A	BRACKET-DUCT,OUT;507W,SECC-1,TO.8,BLK		1	S.N.A
5-4	AA63-00598A	COVER-LAMP;507W,HIPS,VO,GRY,G4309		1	S.N.A
6-1	BP91-00787C	ASSY MISC-ENGINE,MECHA;43 DLP,TOSHIBA,E		1	S.N.A

7-5 HLM5065WX/XAA

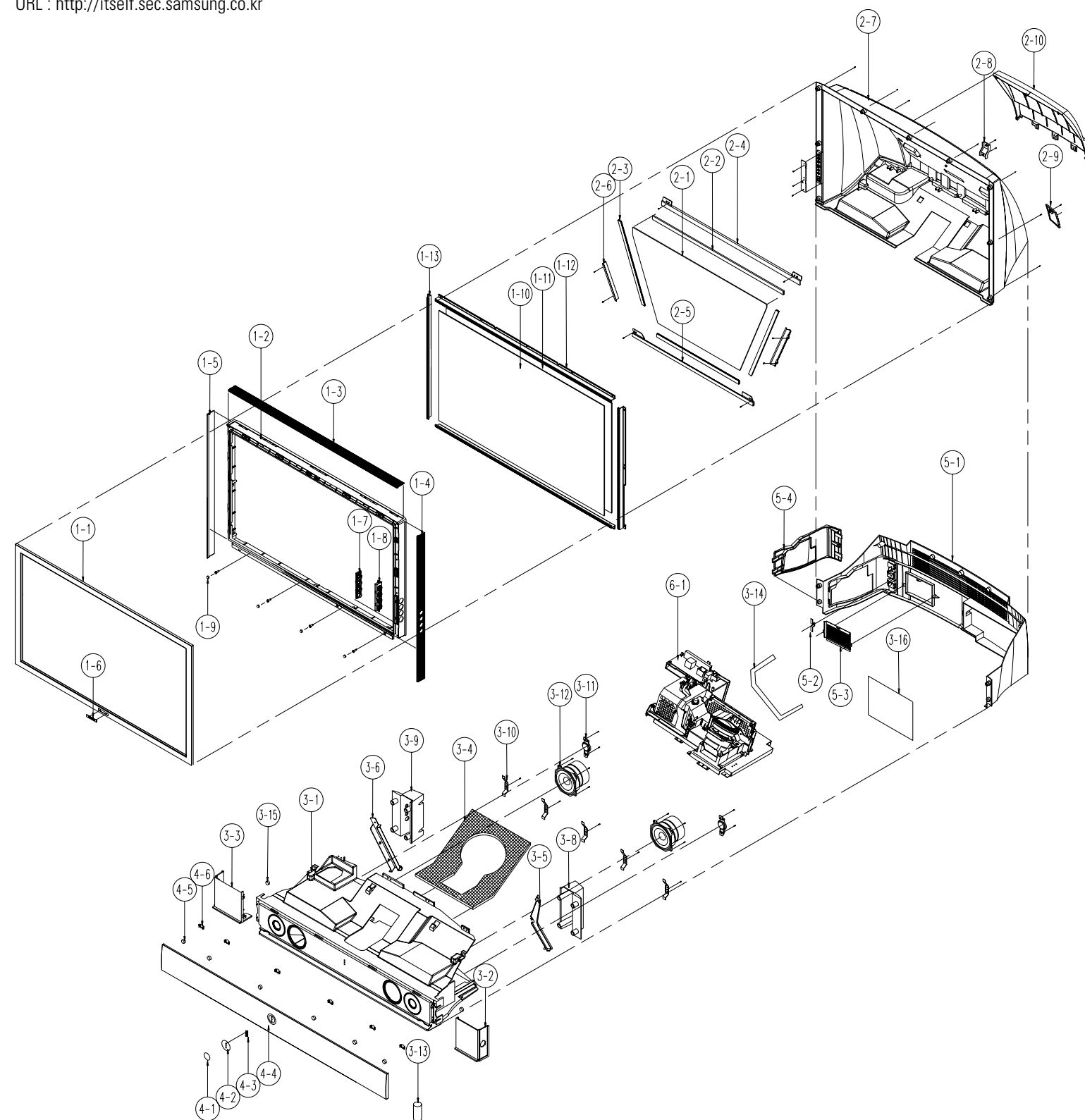
You can search for the updated part code through ITSELF web site.
URL : <http://itself.sec.samsung.co.kr>



No	Code No	Description	Specification	Q'ty	S.N.A
1-1	AA64-00699D	CABINET-FRONT;5065W ,HIPS,HB,GRAY,SVM-11		1	S.N.A
1-2	AA61-00347C	HOLDER-SIDE,L;50J6,AL 6063,SENDING NO 10		1	
1-3	AA63-00155C	COVER-TOP;43J6,HIPS,HB,GRAY,SVM-1126		1	S.N.A
1-4	AA63-00156C	COVER-BOTTOM;43J6,HIPS,HB,GRAY,SVM-1126		1	S.N.A
1-5	AA60-00050A	SPACER-FRONT;43J6,NEOPRENE HB,-,-,GRAY		4	S.N.A
1-6	AA64-00554D	KNOB-FAMILY;43J6,ABS,HB,GRAY,UV SVM-1126		1	
1-7	AA64-00587D	KNOB POWER-MASTER;43J6,ABS,VO,UV SVM-112		1	
1-8	AA64-00809B	INDICATOR LED;ST-43J6,ACRYL,-,CLR,-,-,-		1	
1-9	BP61-00183A	BRACKET-SCREEN,SIDE;,AL6063,T4.0 ,585,BL		2	S.N.A
1-10	AA67-00169A	SCREEN LENTI;LENTICUALR,50W,MS,1128*647,		1	
1-11	AA67-00172A	SCREEN-FRESNEL;50W,MS,T1.35,1128*647,-,-		1	
1-12	BP61-00184A	BRACKET-SCREEN,TOP;,AL6063,T4.0,1057,BLK		2	S.N.A
2-1	BP67-00041A	MIRROR-FRONT,DM1;50,GLASS,922*547*512*3		1	
2-2	AA63-00021E	SPACER-MIRROR,SP-434JMF,PVC,-,-,-,BLK,-,		1	S.N.A
2-3	AA63-00021K	SPACER-MIRROR;50J6,PVC,BLK,HB L500		3	S.N.A
2-4	AA61-00443B	BRACKET-MIRROR,TOP;ST-50J6,SECC,T1.6,-,-		1	S.N.A
2-5	AA61-00445B	BRACKET-MIRROR,BOT;ST-50J6,SECC,T1.6,-,-		1	S.N.A
2-6	AA61-00444B	BRACKET-MIRROR,SIDE;ST-50J6,SECC,T1.6,-,-		2	S.N.A
2-7	AA64-00698B	CABINET-BACK,TOP;50J6,HIPS,VO,GRY,G4309		1	
2-8	AA63-00196C	COVER-DUST;50J6,HIPS,VO,GRAY G4309		1	S.N.A
2-9	AA63-00599A	COVER-BACK;507W,HIPS,VO,GRY,G4309		1	S.N.A
2-10	BP64-00070A	IINLAY COVER BACK;DG703P		1	
2-11	AA60-00047B	SPACER-SIDE,JACK;43L2,NEOPRENE,GRAY,VO		1	
3-1	AA64-00548G	CABINET-MAIN;43J6,HIPS,VO,G4309,SMV-1126		1	
3-2	AA61-00348B	HOLDER-SIDE,R;50J6,AL 6063,-,-,-,-,EXT		1	S.N.A
3-3	AA61-00347C	HOLDER-SIDE,L;50J6,AL 6063,SENDING NO 10		1	
3-4	AA60-00033B	SPACER-LENS;43J6,P/U-FOAM V0 D45,BLK,T3.		1	S.N.A
3-5	AA61-00853B	BRACKET-SUPPORT,L;50J6,SECC-1,T1.6,NTR		1	S.N.A
3-6	AA61-01202A	BRACKET-SUPPORT;507W,SECC-1,T1.6,NTR		1	
3-8	AA61-00289B	HOLDER-BACK,R;50J6,HIPS,HB,GRAY G4309		1	S.N.A
3-9	AA61-00289C	HOLDER-BACK,L;50J6,HIPS,HB,GRAY G4309		1	S.N.A
3-10	AA61-00165B	BRACKET-GRILLE;43J6,SECC-1,T1.0,-,-,BLK,		5	S.N.A
3-11	3001-001144	SPEAKER;25W,7ohm,88dB,1.6KHz		2	
3-12	3001-001282	SPEAKER;25W,80HM,90DB,55HZ		2	
3-13	BP39-00044A	LEAD CONNECTOR;L62A/HLM507W,UL1007#22,UL		1	
3-14	AA39-00086A	LEAD CONNECTOR-ASSY;,2.2UF,REC,REC,200MM		2	
3-15	AA63-60117A	SPACER-FOOT;SVP403J,NEOPRENE,-,-,-,BLK,-		2	S.N.A
3-16	AA61-01203A	BRACKET-SUPPORT,BACK;507W,SECC-1,T1.6,BL		1	
3-17	BP96-00082A	ASSY COVER P-TERMINAL BOARD;HLM507W,HIPS		1	
3-18	AA64-01967B	INLAY-MAIN;43J6,PS SHEET,T1.0,-,-,GRAY,-		1	
4-1	BP96-00136A	ASSY COVER P-GRILLE;5065W,PS,HB,GRAY,JER		1	S.N.A
5-1	AA64-02831A	CABINET-BACK,BOT;507W,HIPS,VO,GRY,G4309		1	
5-2	AA61-10379B	BRACKET-COVER;SP43J6,SECC-1,T1.0,-,-,-,-		1	S.N.A
5-3	AA61-01201A	BRACKET-DUCT,OUT;507W,SECC-1,T0.8,BLK		1	
5-4	AA63-00598A	COVER-LAMP;507W,HIPS,VO,GRY,G4309		1	S.N.A
5-5	AA64-00578B	INLAY-LAMP;43J6,PS SHEET,T0.3,-,-,BLK,-		1	S.N.A
6-1	BP96-00087A	ASSY MISC P-ENGINE,MECHA;HLM507WX/SPL,L6		1	S.N.A

7-6 HLN5065WX/XAA

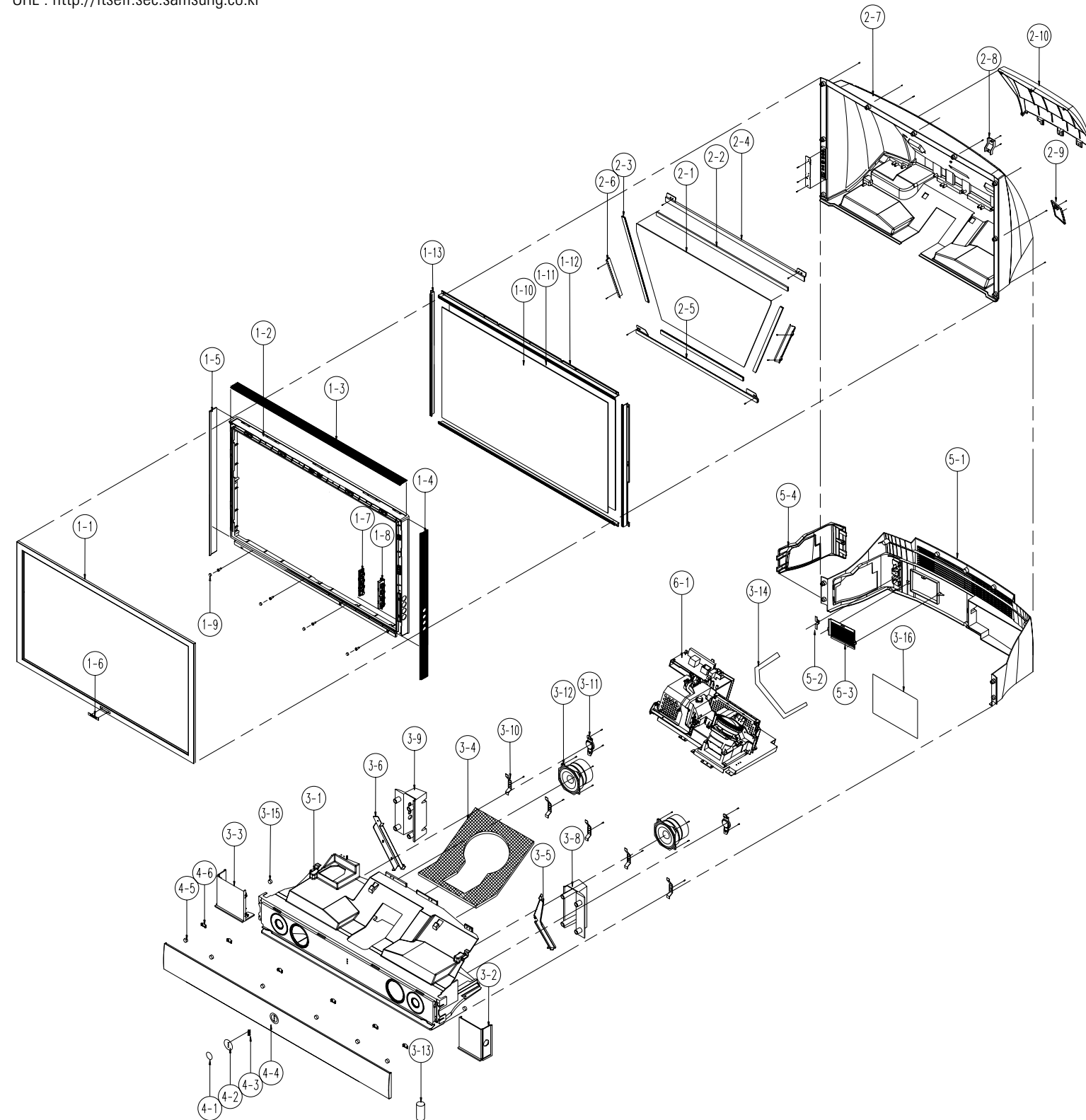
You can search for the updated part code through ITSELF web site.
 URL : <http://itself.sec.samsung.co.kr>



No	Code No	Description	Specification	Q'ty	S.N.A
1-1	AA64-01789G	CABINET-FRONT;50L2,MIJU,HIPS,HB,G4309,SV		1	S.N.A
1-2	AA64-01790B	CABINET-MIDDLE;50L2,HIPS,HB,G4309,SV-012		1	S.N.A
1-3	BP63-00032A	COVER-DECO, TOP;50L2,ABS,HB,BLK,SV-704P 1		1	S.N.A
1-4	BP63-00034A	COVER-DECO,L;50L2,ABS,HB,BLK,SV-704P 820		1	S.N.A
1-5	BP63-00036A	COVER-DECO,R;50L2,ABS,HB,BLK,SV-704P 820		1	S.N.A
1-6	AA64-00406K	BADGE-BRAND;AL,72,FORGING,SILVER,SAMSUN		1	S.N.A
1-7	AA64-01793B	KNOB-FAMILY;43L2,ABS,HB,G3676,SVM-3012		1	
1-8	AA64-01794B	KNOB-HOLDER;43L2,ABS,HB,G3676,VACCUM PLA		1	
1-10	AA67-00169A	SCREEN-LENTICULAR;50W,MS,T2.0,1128*647,-		1	
1-11	AA67-00172A	SCREEN-FRESNEL;50W,MS,T1.35,1128*647,-,-		1	
1-12	AA61-01138A	BRACKET-SCREEN, TOP;50,AL6063 EXTR,BLK		2	S.N.A
1-13	AA61-01139A	BRACKET-SCREEN, SIDE;50,AL6063 EXTR,BLK		2	S.N.A
2-1	BP67-00041A	MIRROR-FRONT,DM1;50,GLASS,922*547*512*3		1	
2-2	AA63-00021E	SPACER-MIRROR;SP-434JMF,PVC,-,-,BLK,-,		1	S.N.A
2-3	AA63-00021K	SPACER-MIRROR;50J6,PVC,BLK,HB L500		3	S.N.A
2-4	AA61-00443B	BRACKET-MIRROR, TOP;ST-50J6,SECC,T1.6,-,-		1	S.N.A
2-5	AA61-00445B	BRACKET-MIRROR,BOT;ST-50J6,SECC,T1.6,-,-		1	S.N.A
2-6	AA61-00444B	BRACKET-MIRROR, SIDE;ST-50J6,SECC,T1.6,-,-		2	S.N.A
2-7	AA64-00698B	CABINET-BACK, TOP;50J6,HIPS,VO,GRY,G4309		1	
2-8	AA63-00212C	COVER-CONNECTOR;HIPS,VO,GRAY G4309		1	S.N.A
2-9	AA63-00196C	COVER-DUST;50J6,HIPS,VO,GRAY G4309		1	S.N.A
2-10	AA63-00599A	COVER-BACK;507W,HIPS,VO,GRY,G4309		1	S.N.A
3-1	AA64-00548D	CABINET-MAIN;43J6,HIPS,VO,G4309,SV-012P		1	S.N.A
3-2	BP61-00082A	HOLDER-FRONT,RIGHT;507W,HIPS HB,GRAY		1	S.N.A
3-3	BP61-00083A	HOLDER-FRONT,LEFT;507W,HIPS HB,GRAY		1	S.N.A
3-4	AA60-00033B	SPACER-LENS;43J6,P/U-FOAM V0 D45,BLK,T3.		1	S.N.A
3-5	AA61-00853B	BRACKET-SUPPORT,L;50J6,SECC-1,T1.6,NTR		1	S.N.A
3-6	AA61-01202A	BRACKET-SUPPORT;507W,SECC-1,T1.6,NTR		1	
3-8	BP61-00084A	HOLDER-BACK,RIGHT;507W,HIPS VO,GRAY		1	S.N.A
3-9	BP61-00085A	HOLDER-BACK,LEFT;507W,HIPS VO,GRAY		1	S.N.A
3-10	AA61-00165B	BRACKET-GRILLE;43J6,SECC-1,T1.0,-,-,BLK,		5	S.N.A
3-11	3001-001144	SPEAKER;25W,7ohm,88dB,1.6KHz		2	
3-12	3001-001282	SPEAKER;25W,80HM,90DB,55HZ		2	
3-14	AA61-01203A	BRACKET-SUPPORT,BACK;507W,SECC-1,T1.6,BL		1	
3-15	AA61-00678B	HOLDER-BOSS;50J6,HIPS,NTR,HB		2	S.N.A
3-16	BP96-00082A	ASSY COVER P-TERMINAL BOARD;HLM507W,HIPS		1	
4-1	BP64-00096E	WINDOW-LED;507W,ACRLY,T2.0,TAPE WF-724,H		1	S.N.A
4-2	BP63-00013A	COVER-DECO,LED;507W,ABS HB,BLK		1	S.N.A
4-3	BP64-00071A	INDICATOR LED;507W,ACRYL		1	S.N.A
4-4	BP63-00012A	COVER-GRILLE;507W,ABS,HB,GRAY		1	S.N.A
4-5	AA61-00206A	MAGNET-GRILLE;43J6,P115X3T,-,-,-		6	S.N.A
4-6	AA61-00650B	HOLDER-MAGNET, TOP;TOOL,50,MOLD		6	
5-1	AA64-02831A	CABINET-BACK,BOT;507W,HIPS,VO,GRY,G4309		1	
5-2	AA61-10379B	BRACKET-COVER;SP43J6,SECC-1,T1.0,-,-,-		1	S.N.A
5-3	AA61-01201A	BRACKET-DUCT,OUT;507W,SECC-1,T0.8,BLK		1	
5-4	AA63-00598A	COVER-LAMP;507W,HIPS,VO,GRY,G4309		1	S.N.A
6-1	BP96-00087A	ASSY MISC P-ENGINE,MECHA;HLM507WX/XAA,L6		1	

7-7 HLM507WX/XAA

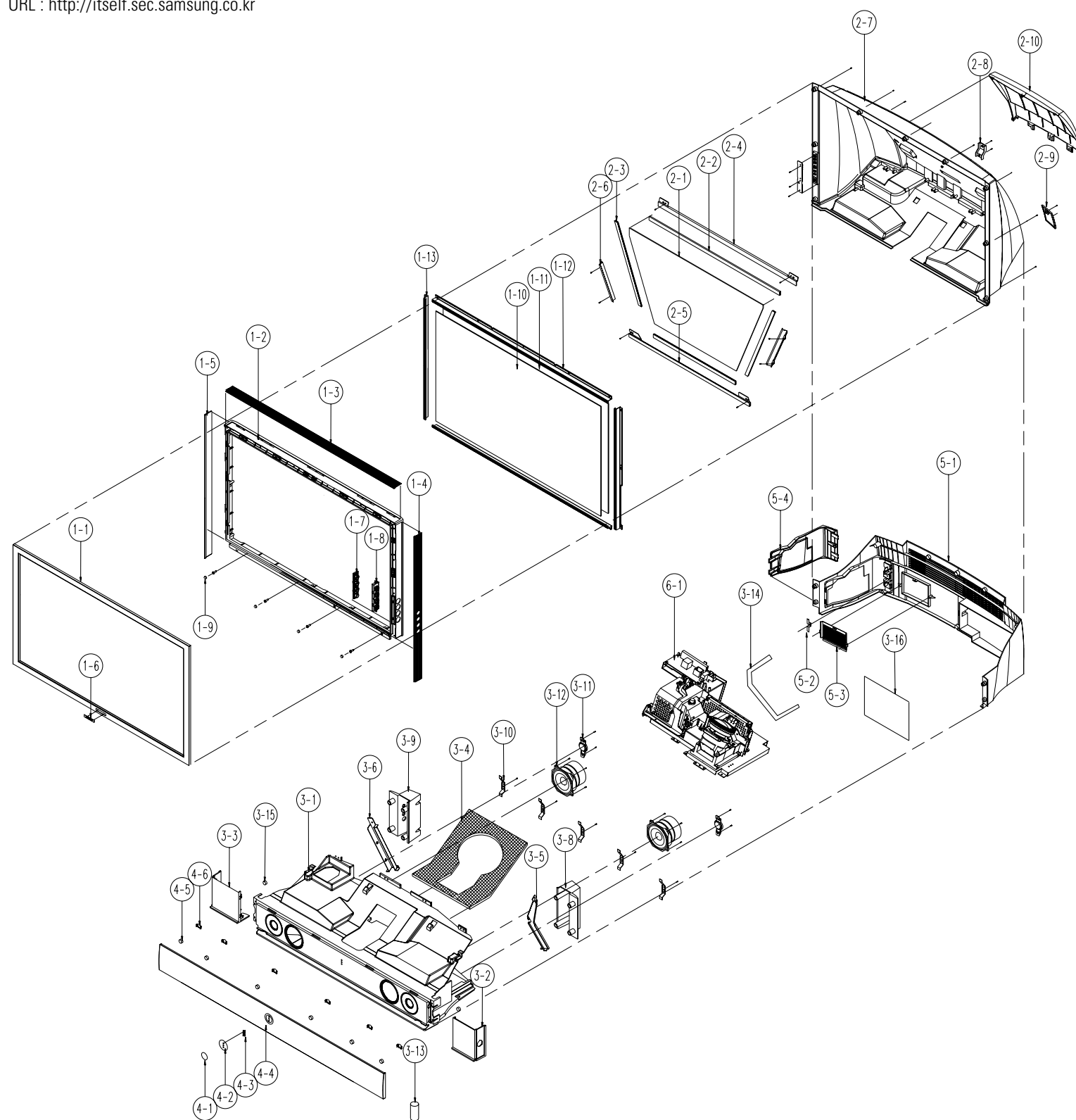
You can search for the updated part code through ITSELF web site.
URL : <http://itself.sec.samsung.co.kr>



No	Code No	Description	Specification	Q'ty	S.N.A
1-1	AA64-01789G	CABINET-FRONT;50L2,MIJU,HIPS,HB,G4309,SV		1	S.N.A
1-2	AA64-01790B	CABINET-MIDDLE;50L2,HIPS,HB,G4309,SV-012		1	S.N.A
1-3	BP63-00032A	COVER-DECO, TOP;50L2,ABS,HB,BLK,SV-704P 1		1	S.N.A
1-4	BP63-00034A	COVER-DECO, L;50L2,ABS,HB,BLK,SV-704P 820		1	S.N.A
1-5	BP63-00036A	COVER-DECO, R;50L2,ABS,HB,BLK,SV-704P 820		1	S.N.A
1-6	AA64-00406K	BADGE-BRAND;AL,72,FORGING,SILVER,SAMSUN		1	S.N.A
1-7	AA64-01793B	KNOB-FAMILY;43L2,ABS,HB,G3676,SVM-3012		1	
1-8	AA64-01794B	KNOB-HOLDER;43L2,ABS,HB,G3676,VACCUM PLA		1	
1-10	AA67-00169A	SCREEN-LENTICULAR;50W,MS,T2.0,1128*647,-		1	
1-11	AA67-00172A	SCREEN-FRESNEL;50W,MS,T1.35,1128*647,-,-		1	
1-12	AA61-01138A	BRACKET-SCREEN, TOP;50,AL6063 EXTR,BLK		2	S.N.A
1-13	AA61-01139A	BRACKET-SCREEN, SIDE;50,AL6063 EXTR,BLK		2	S.N.A
2-1	BP67-00041A	MIRROR-FRONT,DM1;50,GLASS,922*547*512*3		1	
2-2	AA63-00021E	SPACER-MIRROR;SP-434JMF,PVC,-,-,BLK,-,		1	S.N.A
2-3	AA63-00021K	SPACER-MIRROR;50J6,PVC,BLK,HB L500		3	S.N.A
2-4	AA61-00443B	BRACKET-MIRROR, TOP;ST-50J6,SECC,T1.6,-,-		1	S.N.A
2-5	AA61-00445B	BRACKET-MIRROR, BOT;ST-50J6,SECC,T1.6,-,-		1	S.N.A
2-6	AA61-00444B	BRACKET-MIRROR, SIDE;ST-50J6,SECC,T1.6,-,-		2	S.N.A
2-7	AA64-00698B	CABINET-BACK, TOP;50J6,HIPS,VO,GRY,G4309		1	
2-8	AA63-00212C	COVER-CONNECTOR;HIPS,VO,GRAY G4309		1	S.N.A
2-9	AA63-00196C	COVER-DUST;50J6,HIPS,VO,GRAY G4309		1	S.N.A
2-10	AA63-00599A	COVER-BACK;507W,HIPS,VO,GRY,G4309		1	S.N.A
3-1	AA64-00548D	CABINET-MAIN;43J6,HIPS,VO,G4309,SV-012P		1	S.N.A
3-2	BP61-00082A	HOLDER-FRONT,RIGHT;507W,HIPS HB,GRAY		1	S.N.A
3-3	BP61-00083A	HOLDER-FRONT,LEFT;507W,HIPS HB,GRAY		1	S.N.A
3-4	AA60-00033B	SPACER-LENS;43J6,P/U-FOAM V0 D45,BLK,T3.		1	S.N.A
3-5	AA61-00853B	BRACKET-SUPPORT,L;50J6,SECC-1,T1.6,NTR		1	S.N.A
3-6	AA61-01202A	BRACKET-SUPPORT;507W,SECC-1,T1.6,NTR		1	
3-8	BP61-00084A	HOLDER-BACK,RIGHT;507W,HIPS VO,GRAY		1	S.N.A
3-9	BP61-00085A	HOLDER-BACK,LEFT;507W,HIPS VO,GRAY		1	S.N.A
3-10	AA61-00165B	BRACKET-GRILLE;43J6,SECC-1,T1.0,-,-,BLK,		5	S.N.A
3-11	3001-001144	SPEAKER;25W,7ohm,88dB,1.6KHz		2	
3-12	3001-001282	SPEAKER;25W,80HM,90DB,55HZ		2	
3-14	AA61-01203A	BRACKET-SUPPORT,BACK;507W,SECC-1,T1.6,BL		1	
3-15	AA61-00678B	HOLDER-BOSS;50J6,HIPS,NTR,HB		2	S.N.A
3-16	BP96-00082A	ASSY COVER P-TERMINAL BOARD;HLM507W,HIPS		1	
4-1	BP64-00096E	WINDOW-LED;507W,ACRLY,T2.0,TAPE WF-724,H		1	S.N.A
4-2	BP63-00013A	COVER-DECO,LED;507W,ABS HB,BLK		1	S.N.A
4-3	BP64-00071A	INDICATOR LED;507W,ACRYL		1	S.N.A
4-4	BP63-00012A	COVER-GRILLE;507W,ABS,HB,GRAY		1	S.N.A
4-5	AA61-00206A	MAGNET-GRILLE;43J6,P115X3T,-,-,-		6	S.N.A
4-6	AA61-00650B	HOLDER-MAGNET, TOP;TOOL,50,MOLD		6	
5-1	AA64-02831A	CABINET-BACK, BOT;507W,HIPS,VO,GRY,G4309		1	
5-2	AA61-10379B	BRACKET-COVER;SP43J6,SECC-1,T1.0,-,-,-		1	S.N.A
5-3	AA61-01201A	BRACKET-DUCT,OUT;507W,SECC-1,T0.8,BLK		1	
5-4	AA63-00598A	COVER-LAMP;507W,HIPS,VO,GRY,G4309		1	S.N.A
6-1	BP96-00087A	ASSY MISC P-ENGINE MECHA;50 DLP,ENGINE,		1	

7-8 HLN507WX/XAA

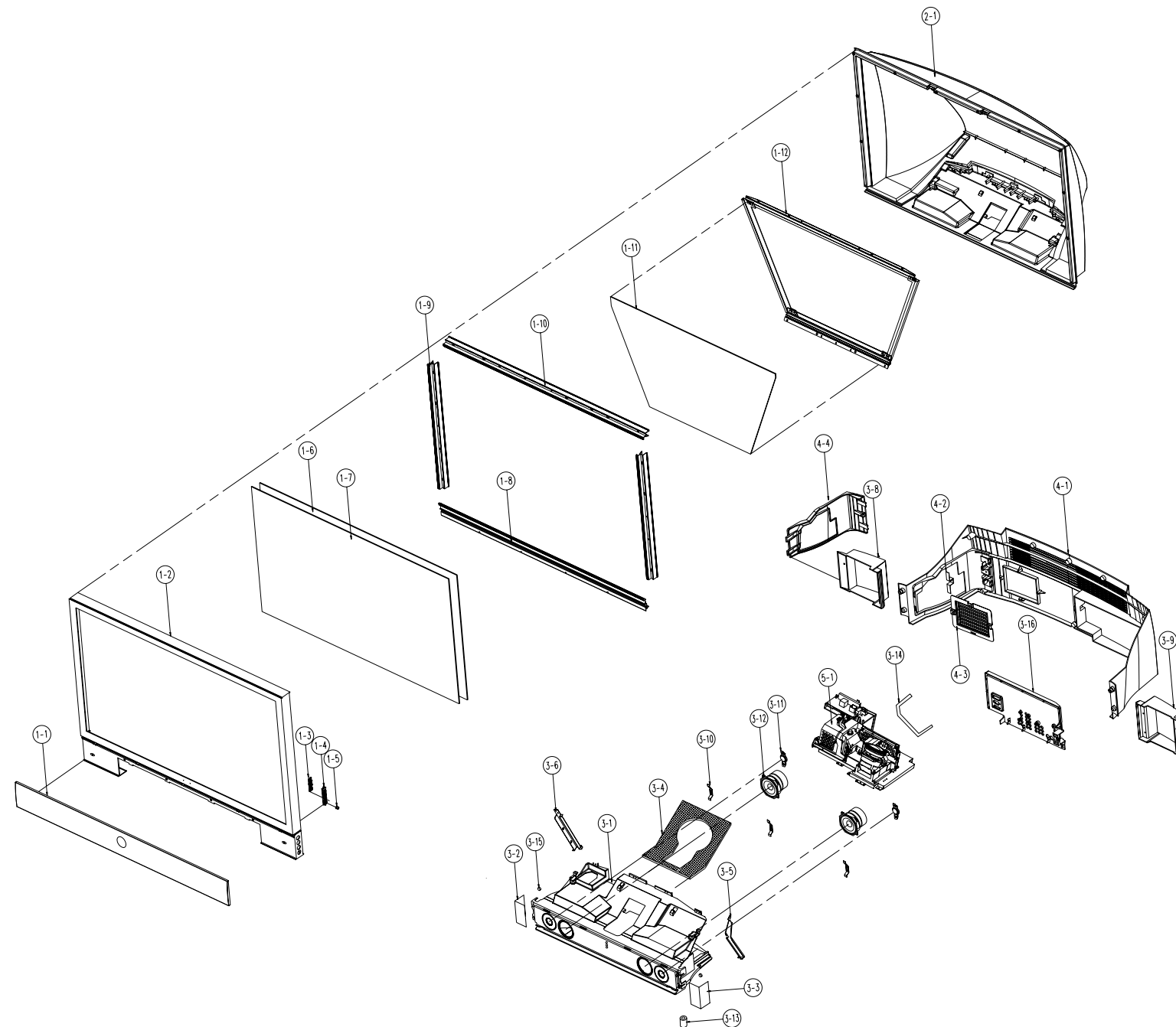
You can search for the updated part code through ITSELF web site.
 URL : <http://itself.sec.samsung.co.kr>



No	Code No	Description	Specification	Q'ty	S.N.A
1-1	AA64-01789H	CABINET-FRONT;50L2,MIJU,HIPS,HB,G4309,DG		1	S.N.A
1-2	AA64-01790B	CABINET-MIDDLE;50L2,HIPS,HB,G4309,SV-012		1	S.N.A
1-3	BP63-00032A	COVER-DECO, TOP;50L2,ABS,HB,BLK,SV-704P 1		1	S.N.A
1-4	BP63-00034A	COVER-DECO,L;50L2,ABS,HB,BLK,SV-704P 820		1	S.N.A
1-5	BP63-00036A	COVER-DECO,R;50L2,ABS,HB,BLK,SV-704P 820		1	S.N.A
1-6	BP64-00199A	BADGE-BRAND;PJLCD,AL,T1.5,72,12.5,,DGN-S		1	S.N.A
1-7	AA64-01793B	KNOB-FAMILY;43L2,ABS,HB,G3676,SVM-3012		1	
1-8	AA64-01794B	KNOB-HOLDER;43L2,ABS,HB,G3676,VACCUM PLA		1	
1-10	AA67-00169A	SCREEN-LENTICULAR;50W,MS,T2.0,1128*647,-		1	
1-11	AA67-00172A	SCREEN-FRESNEL;50W,MS,T1.35,1128*647,-,-		1	
1-12	AA61-01138A	BRACKET-SCREEN, TOP;50,AL6063 EXTR,BLK		2	S.N.A
1-13	AA61-01139A	BRACKET-SCREEN, SIDE;50,AL6063 EXTR,BLK		2	S.N.A
2-1	BP67-00041A	MIRROR-FRONT,DM1;50,GLASS,922*547*512*3		1	
2-2	AA63-00021E	SPACER-MIRROR;SP-434JMF,PVC,-,-,BLK,-,		1	S.N.A
2-3	AA63-00021K	SPACER-MIRROR;50J6,PVC,BLK,HB L500		3	S.N.A
2-4	AA61-00443B	BRACKET-MIRROR, TOP;ST-50J6,SECC,T1.6,-,-		1	S.N.A
2-5	AA61-00445B	BRACKET-MIRROR,BOT;ST-50J6,SECC,T1.6,-,-		1	S.N.A
2-6	AA61-00444B	BRACKET-MIRROR, SIDE;ST-50J6,SECC,T1.6,-,-		2	S.N.A
2-7	AA64-00698B	CABINET-BACK, TOP;50J6,HIPS,VO,GRY,G4309		1	
2-8	AA63-00212C	COVER-CONNECTOR;,HIPS,VO,GRAY G4309		1	S.N.A
2-9	AA63-00196C	COVER-DUST;50J6,HIPS,VO,GRAY G4309		1	S.N.A
2-10	AA63-00599A	COVER-BACK;507W,HIPS,VO,GRY,G4309		1	S.N.A
3-1	AA64-00548D	CABINET-MAIN;43J6,HIPS,VO,G4309,SV-012P		1	S.N.A
3-2	BP61-00082A	HOLDER-FRONT,RIGHT;507W,HIPS HB,GRAY		1	S.N.A
3-3	BP61-00083A	HOLDER-FRONT,LEFT;507W,HIPS HB,GRAY		1	S.N.A
3-4	AA60-00033B	SPACER-LENS;43J6,P/U-FOAM V0 D45,BLK,T3.		1	S.N.A
3-5	AA61-00853B	BRACKET-SUPPORT,L;50J6,SECC-1,T1.6,NTR		1	S.N.A
3-6	AA61-01202A	BRACKET-SUPPORT;507W,SECC-1,T1.6,NTR		1	
3-8	BP61-00084A	HOLDER-BACK,RIGHT;507W,HIPS VO,GRAY		1	S.N.A
3-9	BP61-00085A	HOLDER-BACK,LEFT;507W,HIPS VO,GRAY		1	S.N.A
3-10	AA61-00165B	BRACKET-GRILLE;43J6,SECC-1,T1.0,-,-,BLK,		5	S.N.A
3-11	3001-001144	SPEAKER;25W,7ohm,88dB,1.6KHz		2	
3-12	3001-001282	SPEAKER;25W,80HM,90DB,55HZ		2	
3-14	AA61-01203A	BRACKET-SUPPORT,BACK;507W,SECC-1,T1.6,BL		1	
3-15	AA61-00678B	HOLDER-BOSS;50J6,HIPS,NTR,HB		2	S.N.A
3-16	BP96-00082A	ASSY COVER P-TERMINAL BOARD;HLM507W,HIPS		1	
4-1	BP64-00096E	WINDOW-LED;507W,ACRLY,T2.0,TAPE WF-724,H		1	S.N.A
4-2	BP63-00013A	COVER-DECO,LED;507W,ABS HB,BLK		1	S.N.A
4-3	BP64-00071A	INDICATOR LED;507W,ACRYL		1	S.N.A
4-4	BP63-00012A	COVER-GRILLE;507W,ABS,HB,GRAY		1	S.N.A
4-5	AA61-00206A	MAGNET-GRILLE;43J6,P115X3T,-,-,-		6	S.N.A
4-6	AA61-00650B	HOLDER-MAGNET, TOP;TOOL,50,MOLD		6	
5-1	AA64-02831A	CABINET-BACK,BOT;507W,HIPS,VO,GRY,G4309		1	
5-2	AA61-10379B	BRACKET-COVER;SP43J6,SECC-1,T1.0,-,-,-		1	S.N.A
5-3	AA61-01201A	BRACKET-DUCT,OUT;507W,SECC-1,T0.8,BLK		1	
5-4	AA63-00598A	COVER-LAMP;507W,HIPS,VO,GRY,G4309		1	S.N.A
6-1	BP96-00087A	ASSY MISC P-ENGINE MECHA;50 DLP,ENGINE,		1	

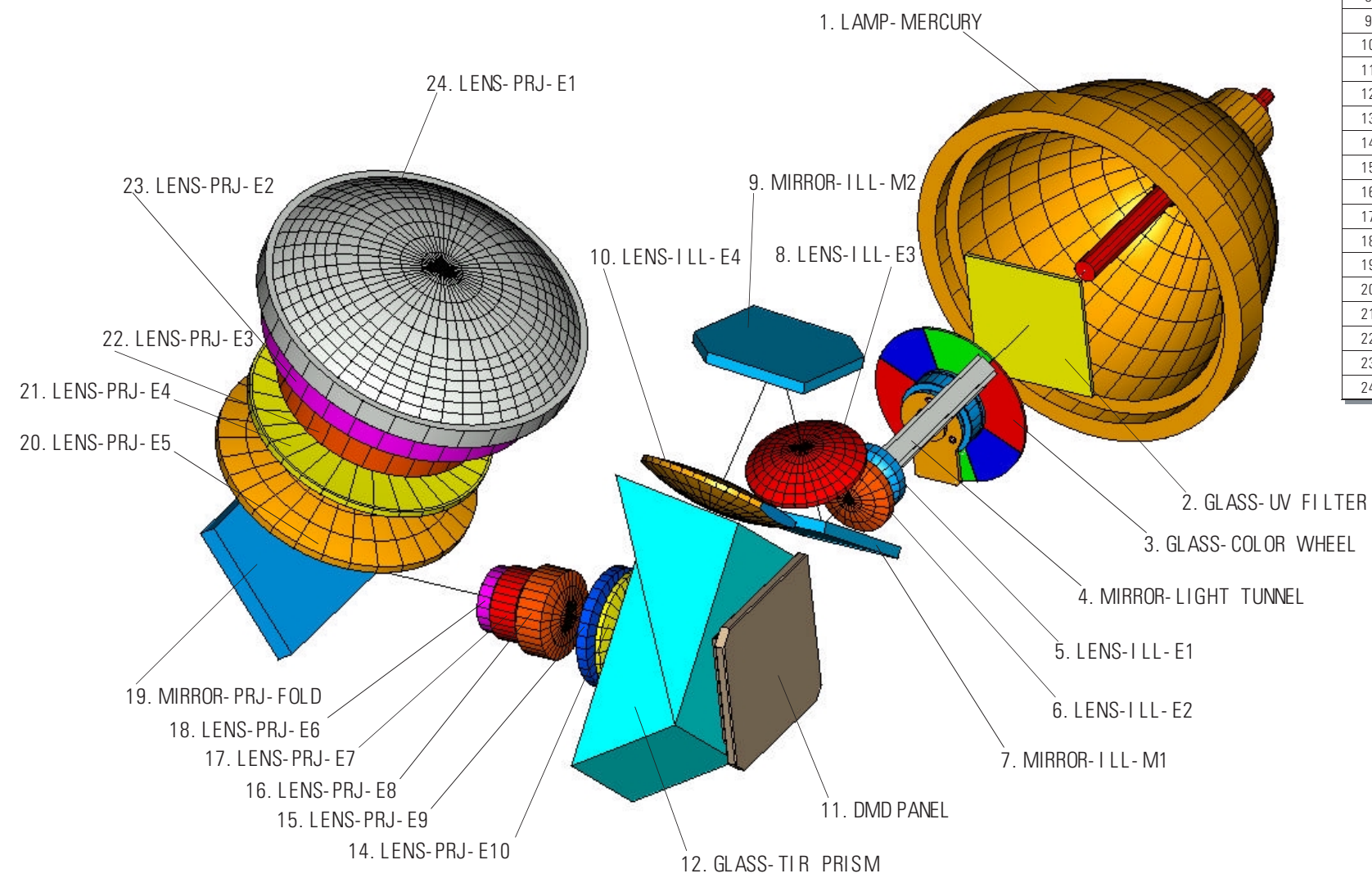
7-9 HLM617WX/XAA

You can search for the updated part code through ITSELF web site.
 URL : <http://itself.sec.samsung.co.kr>



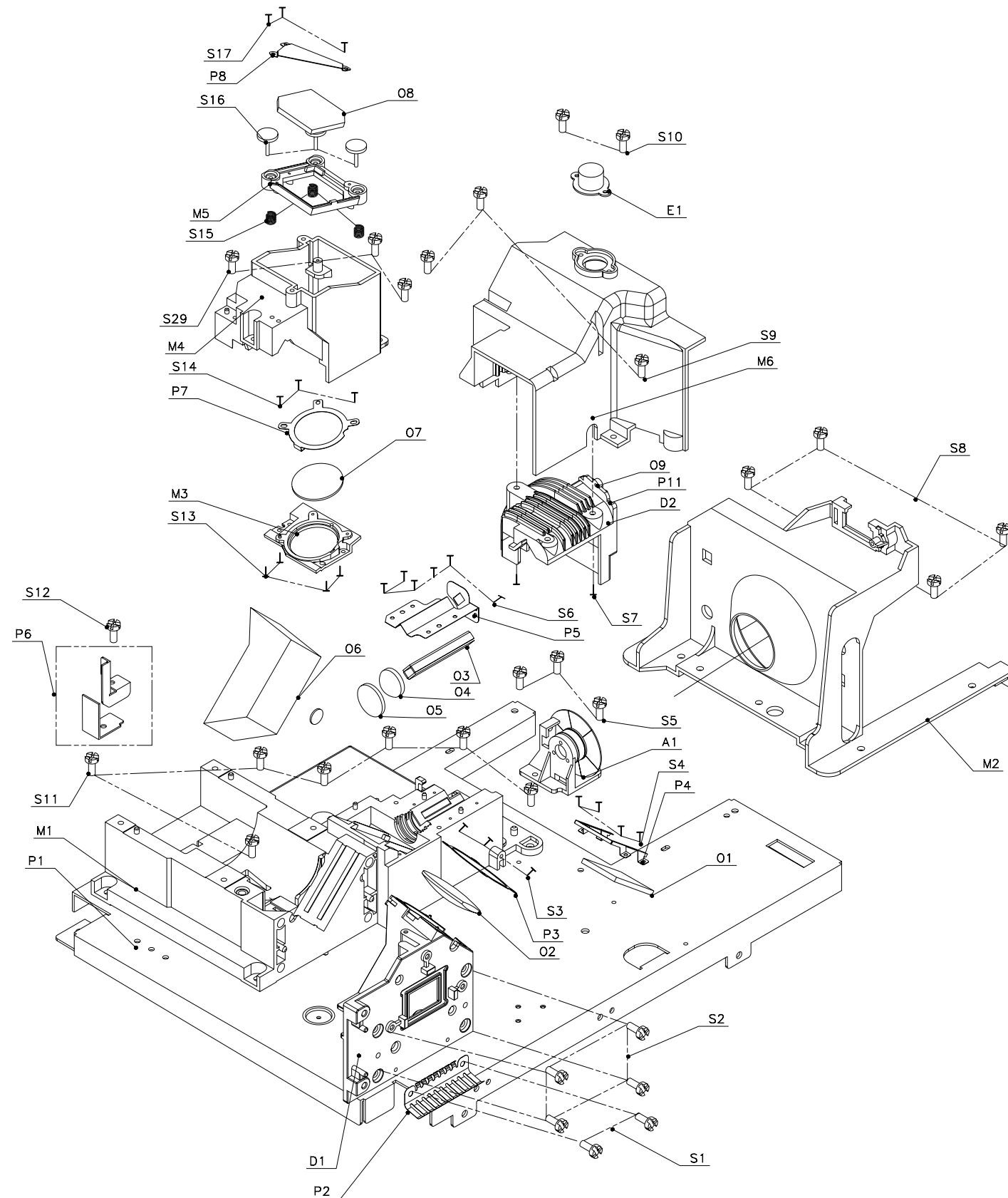
No	Code No	Description	Specification	Q'ty	S.N.A
1-1	BP96-00157H	ASSY COVER P-GRILLE;61L2,MIJU,HIPS,HB,GR		1	S.N.A
1-2	BP96-00158H	ASSY COVER P-FRONT;61L2HIPS,HB,GRY,XAA		1	S.N.A
1-3	BP64-00072A	KNOB-FAMILY;617W,ABS HB,GRAY		1	
1-4	BP64-00074A	KNOB-HOLDER;617W,ABS HB,GRAY		1	
1-5	BP64-00073A	KNOB-POWER;617W,ABS HB,GRAY,SVM-3012		1	
1-6	BP64-00098A	SCREEN-FRESNEL;617W,PMMA,T1.5,1381*790		1	
1-7	BP64-00099A	SCREEN-LENTI;61W,PMMA,T2.1,1381*790		1	
1-8	BP61-00162A	BRACKET-SCREEN-BOT,ASSY;617W,AL 6063 EXT		1	
1-9	BP61-00160A	BRACKET-SCREEN-SIDE,ASSY;617W,AL6063 EXT		2	
1-10	BP61-00161A	BRACKET-SCREEN-TOP,ASSY;617W,AL6063 EXTR		1	
1-11	BP67-00043A	MIRROR-FRONT,DM1;61,GLASS,1197*678*629,		1	
1-12	BP61-00151A	BRACKET-MIRROR,ASSY;617W,BLK		1	
2-1	BN63-00373C	COVER-BACK;61W DLP,HIPS,VO,GRAY,DG-703P		1	
3-1	AA64-00548D	CABINET-MAIN;43J6,HIPS,VO,G4309,SV-012P		1	
3-2	BP61-00104A	BRACKET-FRONT,R;617W,SECC-1,T1.6,CLR		1	
3-3	BP61-00127A	BRACKET-FRONT,L;617W,SECC-1,T1.6,CLR		1	
3-4	BP60-00013A	SPACER-DUST COVER,;SPONGE PE FOAM BLK VO		1	S.N.A
3-5	AA61-00853B	BRACKET-SUPPORT,L;50J6,SECC-1,T1.6,NTR		1	
3-6	AA61-01202A	BRACKET-SUPPORT;507W,SECC-1,T1.6,NTR		1	
3-8	BP61-00105A	HOLDER-BACK,R,;HIPS VO,GRAY,DG-703P		1	
3-9	BP61-00106A	HOLDER-BACK,L,;HIPS VO,GRAY,DG-703P		1	
3-10	AA61-00165B	BRACKET-GRILLE;43J6,SECC-1,T1.0,-,-,BLK,		3	
3-11	3001-001144	SPEAKER;25W,7ohm,88dB,1.6KHz		2	
3-12	3001-001282	SPEAKER;25W,80HM,90DB,55HZ		2	
3-13	AA63-60117A	SPACER-FOOT;SVP403J,NEOPRENE,-,-,-,BLK,-		2	
3-14	BP96-00139A	ASSY MISC P-SUPPORT BACK;507W		1	
3-15	AA61-00678B	HOLDER-BOSS;43/50L2,HIPS,NTR,HB		2	
3-16	BP96-00082A	ASSY COVER P-TERMINAL BOARD;HLM507W,HIPS		1	
4-1	AA64-02831A	CABINET-BACK,BOT;507W,HIPS,VO,GRY,G4309		1	
4-2	AA61-10379B	BRACKET-COVER;SP43J6,SECC-1,T1.0,-,-,-		1	
4-3	AA61-01201A	BRACKET-DUCT,OUT;507W,SECC-1,T0.8,BLK		1	
4-4	AA63-00598A	COVER-LAMP;507W,HIPS,VO,GRY,G4309		1	
5-1	BP96-00087B	ASSY MISC P-ENGINE MECHA;61 DLP,ENGINE,		1	

7-10 Exploded View of Optic



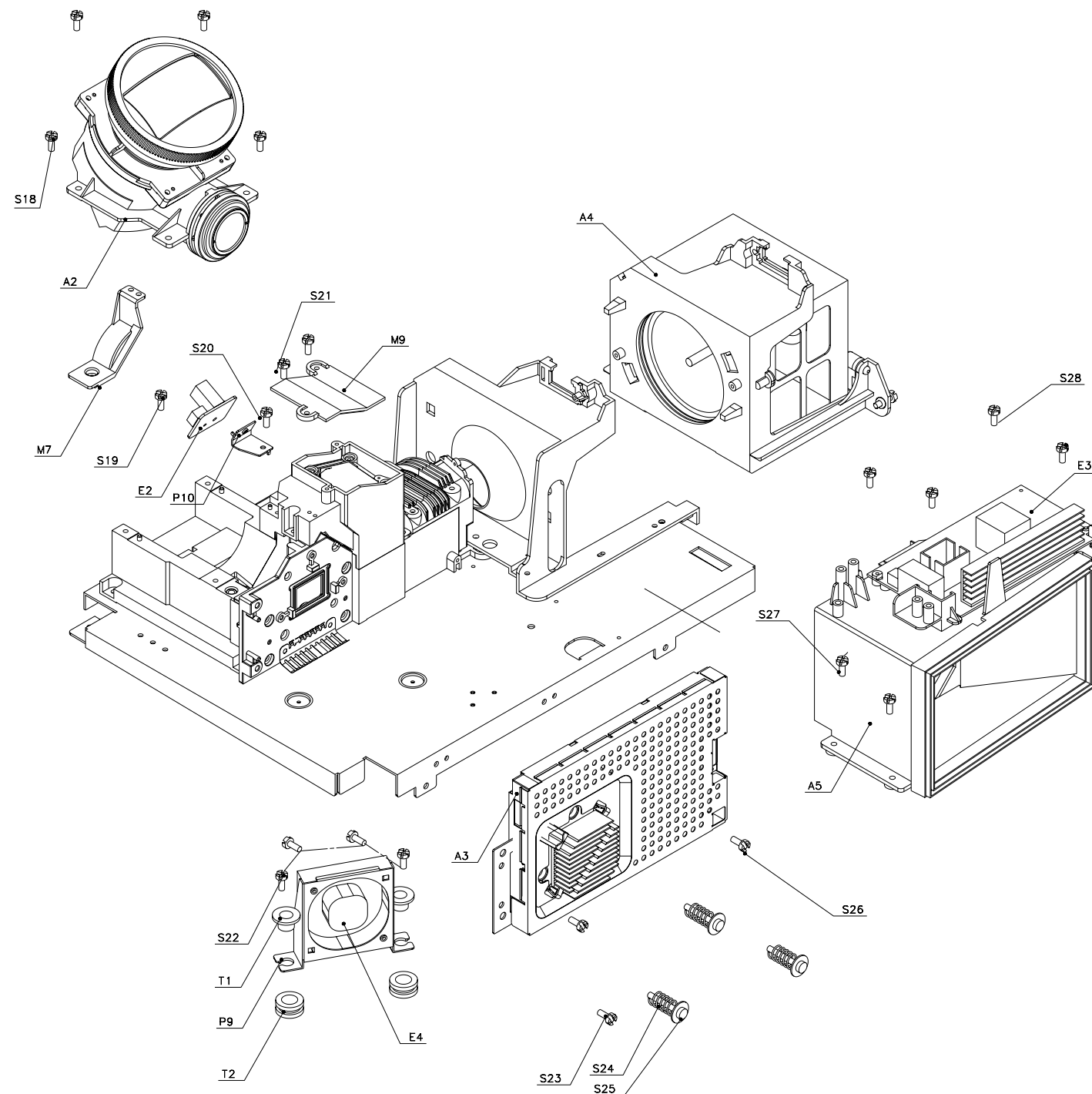
NO.	CODE NO.	DESCRIPTION	QUANTITY	REMARK
1.1	AA47-00007A	LAMP- MERCURY-TS	1	
1.2	AA47-00005A	LAMP- MERCURY-OS	1	
2	BN64-00094A	GLASS- UV FILTER	1	
3	BN64-00092A	GLASS- COLOR WHEEL	1	
4	BN67-00058A	MIRROR- LIGHT TUNNEL	1	
5	BN67-00061A	LENS- I LL- E1	1	
6	BN67-00062A	LENS- I LL- E2	1	
7	BN67-00059A	MIRROR- I LL- M1	1	
8	BN67-00063A	LENS- I LL- E3	1	
9	BN67-00060A	MIRROR- I LL- M2	1	
10	BN67-00064A	LENS- I LL- E4	1	
11	4719-001079	DMD PANEL	1	
12	BN64-00093A	GLASS- TIR PRISM	1	
13	BP67-00032A	LENS- PRJ- ASSY	1	ASSY OF LENS- PRJ- E1-E10 & MIRROR- PRJ- FOLD
14	-	LENS- PRJ- E10	1	
15	-	LENS- PRJ- E9	1	
16	-	LENS- PRJ- E8	1	
17	-	LENS- PRJ- E7	1	
18	-	LENS- PRJ- E6	1	
19	-	MIRROR- PRJ- FOLD	1	
20	-	LENS- PRJ- E5	1	
21	-	LENS- PRJ- E4	1	
22	-	LENS- PRJ- E3	1	
23	-	LENS- PRJ- E2	1	
24	AA67-00183A	LENS- PRJ- E1	1	ASPHERICAL LENS

7-11 Exploded View of Engine



	NO.	CODE-NO	CODE-NAME 1	CODE-NAME 2	CODE-NAME 3	Specification	Quantity
	50"	50"	BP96-00087A	ASS'Y ENG.-MECHA			
	61"	61"		ASS'Y ENG.-MECHA			
A2	A2	BP67-00032A			ASS'Y-P/J LENS		
A4-1	A4-1	BP96-00224A	(43",50")		ASS'Y-LAMP	61": BP96-00224B	
A4-2	A4-2	BP96-00224B	61"				
E1	E1	91-00755A			ASSY-THERMOSTAT	Part:4712-001020	1
A5	A5				DUCT-FAN ASSY	PC+ABS	1
E3-1		AA47-00008A	(43",50")		LAMP-BALLAST-TS	370V,0.33A,100W,150x73mm	
E3-2		BP47-00003A	61"		LAMP-BALLAST-OS	380V,0.4A,135W,150x73mm	
S28	BAL+DUC	6003-000010			SCREW-TAPTITE	BWH,+,B,M3,L10,ZPC(YEL)	4
S27	FAN+DUC	6003-001360			SCREW-TAPTITE	HH,+,B,M4,L12,ZPC(YEL)	2
M6		AA63-00584A			COVER-L/T	PC+GF20%	1
D2		BN62-00006A			H/SINK-C/WHEEL	AL	1
P11		BN61-00218A			CLIP-UV FILTER	SUS t+0.2	1
09		AA64-00094A			GLASS-UV FILTER	GLASS,T1.1,26x26,NTR,AOI+12	
S7	CLT+HSC	6001-00259			SCREW-TAPTITE	BH,+,M3,L8,ZPC(YEL)	3
S9	S/L+CLT	6001-000259			SCREW-TAPTITE	BH,+,M3,L8,ZPC(YEL)	2
A1		BP96-00250A			ASS'Y-C/WHEEL		
M4		AA63-00585A			COVER-CTRL MRR	PC+GF20%	1
P8		AA61-01181A			SPRING-CTRL MIRROR	SUS t0.3	1
P7		AA61-01179A			SPRING-LENS(E3)	SUS T=0.2	1
P4		AA61-01168A			BRKT-MIRROR(E1)	SUS t=0.3	1
M3		AA61-01165A			HOLDER-LENS(E3)	PC+GF20%	1
S15		AA61-01194A			SPRING COIL-CTRL MRR	Purchase	3
M5		AA61-01163A			HOLDER-CTRL MRR	PC+GF20%	1
M9		AA63-00583A			COVER-CONTROL CAP	ABS VO	1
E2					ASSY-I/R		1
P10		AA61-01172A			BRACKET-RMC	SECC T=1.0	1
07		BN67-00063A			LENS-ILL-E3	PI=31,R1=0,R2=23.2(ASP),B270,T=6.5	1
08		BN67-00060A			MIRROR-ILL-M2	GLASS,39x36,NTR,T3,FRONT COATING	1
S29	ACM+B/E	6003-000259			SCREW-TAPTITE	BH,+,B,M3,L8,ZPC(YEL)	3
S14	S/L+H/L	6003-000257			SCREW-TAPTITE	PH,+,M2,L6,ZPC(YEL),SM20C	3
S19	P/R+B/R	6003-000259			SCREW-TAPTITE	BH,+,B,M3,L8,ZPC(YEL)	1
S20	B/R+C/M	6003-000259			SCREW-TAPTITE	BH,+,B,M3,L8,ZPC(YEL)	1
S16	CCM+HCM	6001-000768			SCREW-TAPTITE	BH,+,M2,L12,ZPC(YEL),SM20C	3
S21	CCC+CCM	6003-000259			SCREW-TAPTITE	BH,+,B,M3,L8,ZPC(YEL)	2
S13	CCM+H/L						
S17	SCM+HCM	6003-000257			SCREW-TAPTITE	PH,+,M2,L6,ZPC(YEL),SM20C	3
D1		AA61-01164A			HOLDER-PANEL	AL	1
P3		AA61-01166A			BRKT-LENS(E4)	SUS	1

Exploded View & Parts List



T3		AA60-00150A		SPACER RUBBER-PRISM	RUBBER	2
2		BN67-00064A		LENS-ILL-E4	PI=42,R1=98,281,R2=54,766,BSC7,T=8	
S3	B/L+H/P	6001-000871		SCREW-MACHINE	BH,+,M2,L6,ZPC(YEL),SWRCH10R	4
A3		BP96-00249A		ASS'Y-DMD PANEL		
S24		AA61-01195A		SPRING COIL-DMD		3
S25	D/P+AHP	6001-000942		SCREW-MACHINE	PH,+,M3,L30,ZPC(YEL),SWRCH10A	3
P1		AA61-01169A		BRKT-ENGINE BOTTOM	SECC t=1.6	1
M1		AA61-01182A		BASE-ENGINE	PC+GF30%	1
P5		AA61-01178A		SPRING-L/T	SUS T+0.2	1
M7		AA63-00582A		COVER-DUST	ABS VO	1
P6		BP63-00018A		SHIELD-OFF LIGHT	SECC t=1.0	1
P9		MD60-00003		SPACER-RUBBER		1
E4		BP31-00002A		SUB FAN	60x60x15	1
		BP60-00013A		SPACER DUST COVER	SPONGE PE FOAM BLK VO	1
		BP60-00013B		SPACER DUST COVER	SPONGE PE FOAM BLK VO	1
		BN63-00420A		COVER DUST-ENGINE	PC+ABS	1
		BN65-00001A		CLAMP-CORE	NYLON 66 DAQC105	2
		BP60-00013B		SPACER-DUST COVER	SPONGE PE FOAM VO BLK(280mm)	1
		AA65-30105C		CLAMP WIRE	NYLON 66	1
		AA61-00097A		HOLDER-WIRE	NYLON 66	1
		AA65-30010B		CLAMP-WIRE	NYLON 66	1
		AA61-20129B		HOLDER-WIRE CLAMP	NYLON 66	1
3		BN67-00058A		MIRROR-LIGHT TUNNEL		1
5		BN67-00061A		LENS-ILL-E2		1
4		BN67-00062A		LENS-ILL-E1		1
1		BN67-00059A		MIRROR-ILL-M1	GLASS,41x28,NTR,T3,FRONT COATING	1
6		BN64-00093A		GLASS-TIR PRISM	BSC7,T36,53,45x38,NTR	1
S11	E/B+BBE	6001-001627		SCREW-MACHINE	PWH,+,M4,L12,ZPC(YEL),SWRCH18A,FP	7
S18	HLB+BBE	6001-001627		SCREW-MACHINE	PWH,+,M4,L12,ZPC(YEL),SWRCH18A,FP	4
S6	SLT+B/E	6003-000257		SCREW-TAPTITE	PH,+,M2,L6,ZPC(YEL),SM20C	5
S22	FAN+BSF	6003-000279		SCREW-TAPTITE	BH,+,M3,B,L20,ZPC(YEL)	2
S22	BSF+BBE	6003-000279		SCREW-TAPTITE	BH,+,M3,B,L20,ZPC(YEL)	2
S26	BOL+B/E	6003-000259		SCREW-TAPTITE	BH,+,B,M3,L8,ZPC(YEL)	1
S5	ACW+B/E	6003-000259		SCREW-TAPTITE	BH,+,B,M3,L8,ZPC(YEL)	3
S29	ACC+B/E			SCREW-TAPTITE	BH,+,B,M3,L8,ZPC(YEL)	3

< 50" : 61" Optical materials >

50" DLP			61" DLP		
MAKER	DESCRIPTION	CODE NO	MAKER	DESCRIPTION	CODE NO
HTL	LAMP-MERCURY-TS	AA47-00007A	OSRAM	LAMP-MERCURY-OS	BP47-00002A
HTL	LAMP-BALLAST-TS	AA47-00008A	OSRAM	LAMP-BALLAST-OS	BP47-00003A
OCLI	50"W MIRROR-FRONT	BP67-00033A	OCLI	61"W MIRROR-FRONT	BP67-00035A
TOPPAN	50" LENTI	AA67-00169A	TOPPAN	61" LENTI	BP64-00099A
TOPPAN	50" FRESNEL	AA67-00172A	TOPPAN	61" FRESNEL	BP64-00098A