

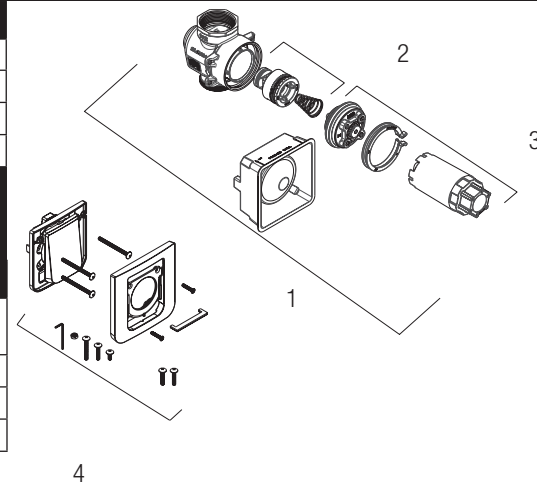
**TruFlush  
Flushometer**      **Not available in  
USA or Canada**

**PARTS LIST**

Item No.	Part No.	Description
1	See Table	Valve Assembly Less Plate
2	See Table	Piston Assembly
3	See Table	Activation Assembly
4	GBL-200-A	Wall Plate Assembly*

**VALVE ASSEMBLY LESS PLATE  
SELECTION GUIDE**

Code No.	Part No.	Description
3400010IN	TRF 156-1.6 LP (WASH DOWN)	Manual Valve Assembly 1.6 gpf/6.0 Lpf (wash down)
3400006	TRF 156-1.28 LP	Manual Valve Assembly 1.28 gpf/4.8 Lpf
3400007	TRF 196-0.5 LP	Manual Valve Assembly 0.5 gpf/1.9 Lpf
3400008	TRF 196-0.25 LP	Manual Valve Assembly 0.25 gpf/1.0 Lpf

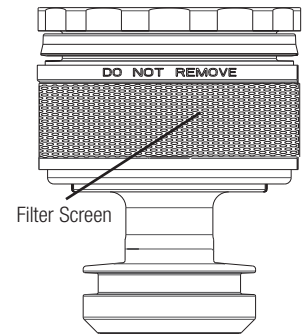


\*Consult factory for special finishes.

**PISTON PARTS LIST SELECTION GUIDE**

Code No.	Part No.	Description	Piston Color*
3340024	GBL-1024-A	1.6 gpf/6.0 Lpf (wash down)TruFlush closet piston assembly	Orange
3340005	GBL-1005-A	1.6 gpf/6.0 Lpf TruFlush closet piston assembly	Green
3340006	GBL-1006-A	1.28 gpf/4.8 Lpf TruFlush closet piston assembly	Purple
3340007	GBL-1007-A	0.5 gpf/1.9 Lpf TruFlush urinal piston assembly	Red
3340008	GBL-1008-A	0.25 gpf/1.0 Lpf TruFlush urinal piston assembly	Burgundy

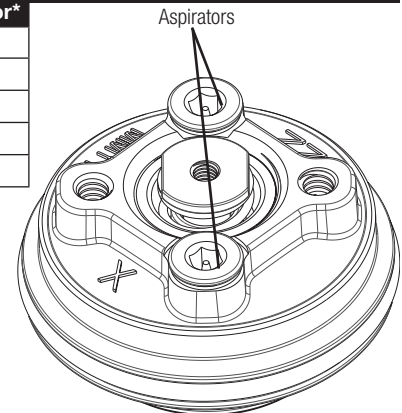
\* Colors may differ. Consult factory to confirm you have the correct piston assembly.



**ACTIVATION ASSEMBLY SELECTION GUIDE**

Code No.	Part No.	Description	Aspirator Retainer Color*
3340026	GBL-1026-A	1.6 gpf/6.0 Lpf (wash down) closet activation assembly	Orange
3340000	GBL-1000-A	1.6 gpf/6.0 Lpf closet activation assembly	Green
3340001	GBL-1001-A	1.28 gpf/4.8 Lpf closet activation assembly	Purple
3340002	GBL-1002-A	0.5 gpf/1.9 Lpf urinal activation assembly	Red
3340003	GBL-1003-A	0.25 gpf/1.0 Lpf urinal activation assembly	Burgundy

\* Colors may differ. Consult factory to confirm you have the correct piston assembly.



**ASPIRATOR ASSEMBLY SELECTION GUIDE**

Code No.	Part No.	Description	Aspirator Retainer Color*
3340032IN	GBL-1032-A	1.6 gpf/6.0 Lpf (wash down) closet aspirator assembly (6PK)	Orange
3340028	GBL-1028-A	1.6 gpf/6.0 Lpf closet aspirator assembly (6PK)	Green
3340030	GBL-1030-A	1.28 gpf/4.8 Lpf closet aspirator assembly (6PK)	Purple
3340031	GBL-1031-A	0.5 gpf/1.9 Lpf urinal aspirator assembly (6PK)	Red
3340029	GBL-1029-A	0.25 gpf/1.0 Lpf urinal aspirator assembly (6PK)	Burgundy

\* Colors may differ. Consult factory to confirm you have the correct piston assembly.

The information contained in this document is subject to change without notice.

---

## TruFlush Flushometer

---

### TROUBLESHOOTING GUIDE

#### 1. Flushometer does not function (no water/flush).

- A. Ensure water supply to valve is turned on.
- B. Shut off sleeve is in closed position. Turn counterclockwise to open water flow.
- C. Plunger screw is not adjusted properly. Adjust screw using depth guide.

#### 2. Volume of water is not sufficient to evacuate the bowl.

- A. Shut off sleeve is not open wide enough. Adjust shut off sleeve for desired delivery of water volume.
- B. Urinal piston parts installed in a Closet flushometer. Replace piston with proper Closet piston (1.6 gpf/6.0 Lpf or 1.28 gpf/4.8 Lpf)
- C. Water supply volume or pressure is inadequate (low). If the fixture does not siphon or evacuate the bowl, steps must be taken to increase the water supply pressure and/or volume. Contact the fixture manufacturer for minimum water supply requirements of the fixture.
- D. Plunger screw is not adjusted properly. Adjust screw using depth guide.

#### 3. Flushometer closes off immediately.

- A. Urinal piston parts installed in a Closet flushometer. Replace piston with proper Closet piston (1.6 gpf/6.0 Lpf or 1.28/4.8 Lpf).
- B. Piston lip seal may be damaged or worn. Replace with new correct gpf/Lpf piston.
- C. Plunger screw not set properly. Adjust screw using depth guide.

#### 4. Length of flush is too short (Short Flush).

- A. Incorrect piston is installed in Flushometer; for instance, Urinal assembly inside a Closet Flushometer, or High Efficiency assembly inside a higher consumption fixture. Determine the flush volume required by the fixture and replace with proper gpf/Lpf piston. Use valve label and markings on fixture for reference.
- B. Piston lip seal may be damaged or worn. Replace with new correct gpf/Lpf piston.
- C. Plunger screw is not adjusted properly. Adjust screw using depth guide.

#### 5. Length of flush is too long (Long Flush) or continuous.

- A. Metering bypass hole in piston is clogged. Remove the piston from the valve and wash under clean running water. Do not attempt to remove filter screen. Replace piston if cleaning does not correct the problem.
- B. Supply line water pressure has dropped and is not sufficient to close the valve. Close shut off sleeve until pressure is restored.
- D. Piston is damaged. Replace with new proper gpf/Lpf piston
- E. Incorrect Piston is installed in Flushometer; for instance, Closet assembly inside a Urinal flushometer. Determine the flush volume required by the fixture and replace piston. Use valve label and markings on fixture for reference.

#### 6. Chattering noise is heard during flush.

- A. Reduce flow pressure by turning shut off sleeve clockwise.

#### 7. Valve leaks through Aspirator when Activated

- A. Debris between the umbrella valve and the retainer. Blow air on the aspirator. If this does not correct the problem, remove retainer with 5 mm Allen Key (not included) and wash it under clean running water. Replace aspirator if cleaning does not correct the problem.
- B. Loose Retainer. Hand tight retainer with 5 mm Allen Key (not included). Do not overtight. Replace aspirator if this does not correct the problem.