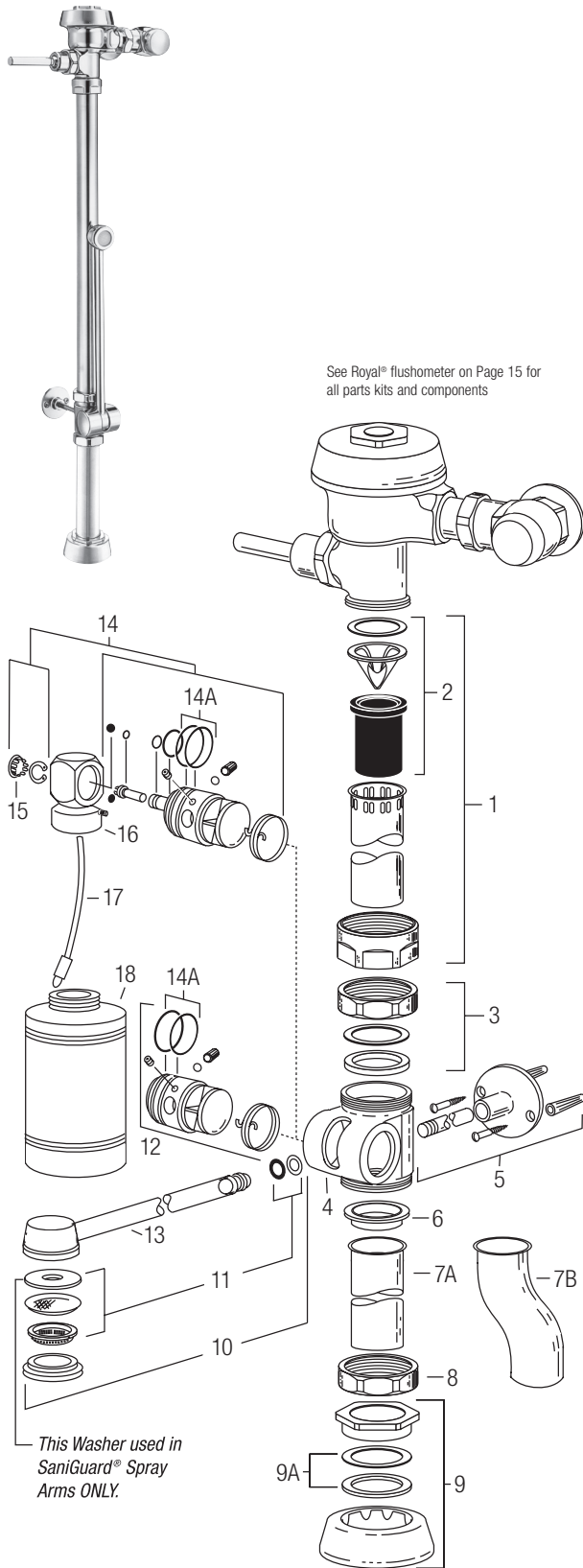


## Slimline® Bedpan Washer Flushometer



### PARTS LIST

Item No.	Code No.	Part No.	Description
1.	<b>0393009</b>	V-600-AA	1-1/2" x 21-1/2" CP Vacuum Breaker
	<b>0393008</b>	V-600-AA	1-1/2" x 13-1/2" CP Vacuum Breaker (ADA height)
	<b>0393029</b>	V-600-AA	1-1/2" x 21-1/2" CP Vacuum Breaker w/2" Offset
2.	<b>3323182</b>	V-651-A	Vacuum Breaker Repair Kit
3.	<b>0306093</b>	F-2-A	1-1/2" Slip Joint Coupling
4.	<b>0309001PK</b>	DV-1	Diverter Valve Body (non-Deoseptic bottle)
	<b>0309052</b>	DV-17	Diverter Valve Body (Deoseptic bottle)
5.	<b>3309035</b>	DV-1001-A	Wall Support Kit
6.	<b>0309027</b>	F-1003	Outlet Tube Gasket – for Flanged Tubes only
7A.	<b>0309029</b>	F-1005	Outlet Tube
7B.	<b>0396525</b>	F-182	Outlet Tube w/1-1/2" Offset
8.	<b>0306045</b>	F-2	1-1/2" Coupling Nut
9.	<b>0306146</b>	F-5-A	1-1/2" Spud Coupling Assembly
9A.	<b>SEE SLIP JOINT GASKETS AND RINGS TABLE ON BOTTOM, PAGE 15</b>		
10.	<b>3309044</b>	DV-32-AA	12" Spray Arm Replacement Kit
	<b>3309077</b>	DV-1014-A	Short Spray Arm Replacement Kit (for use with F-182 Offset Outlet Tube)
11.	<b>3309032</b>	DV-1007-A	Spray Arm Repair Kit
12.	<b>3309037</b>	DV-1003-A	Pivot Replacement Kit
—	<b>0309021</b>	DV-55-A	Diverter Valve Assembly and 12" Spray Arm Assembly includes: 3, 4, 8, 10, 12
—	<b>0309022</b>	DV-69-A	Diverter Valve Assembly and 10" Spray Arm Assembly includes: 3, 4, 8, 10, 12
13.	<b>3309015</b>	DV-1017-A	Repair Kit 15" Sanigard® Spray Arm (.625-18 UNF-2A Thread)

### DEOSEPTIC UNIT PARTS

Item No.	Code No.	Part No.	Description
14.	<b>3309036</b>	DV-1002-A	Deoseptic Pivot Replacement Kit
14A.	<b>5337075</b>	DO-6	O-ring-Piston – 2 required – 6 per package
14B.	<b>0309004</b>	DV-4	Set Screw
14C.	<b>0309016</b>	DV-16	Diverter Valve Seal Washer
14D.	<b>0309014</b>	DV-14	Diverter Valve Seal
15.	<b>0309024</b>	DV-21	Plug Button
16.	<b>0309033</b>	DV-33-A	Swivel & ball check Assembly
17.	<b>0309036</b>	DV-36-A	Aspirator Tube Assembly
18.	<b>0309018</b>	DV-29	Deoseptic Solution Bottle

### BEDPAN WASHER REBUILD KITS

Code No.	Part No.	Description
<b>5309031</b>	DV-50-A	Diverter Rebuild Kit Includes Outlet Tube Gasket (Item 6), Spray Arm Repair Kit (Item 11), and all Items in Pivot Replacement Kit (Item 12) except Pivot.
<b>3309040</b>	DV-1004-A	Deoseptic Diverter Rebuild Kit Includes Outlet Tube Gasket (Item 6), Spray Arm Repair Kit (Item 11), and all Items in Pivot Replacement Kit (Item 13) except Pivot.

To convert a standard diverter assembly to a deoseptic diverter assembly use:

<b>3309048</b>	DV-1005-A	Deoseptic Conversion Kit
----------------	-----------	--------------------------

### SANIGUARD® HANDLE ASSEMBLY

Code No.	Part No.	Description
<b>0302230</b>	B-73-A-SG	Handle Assembly CP (ADA complaint) with Sani-Guard

## Slimline® Bedpan Washer Flushometer

### ITEM 9A. SLIP JOINT GASKETS AND RINGS

Size	Code No.	Part No.	Description
1-1/2"	<b>5306058</b>	F-3	Red Friction Ring
	<b>5322001</b>	VBF-5	Black Slip Joint Gasket
	<b>0319086/5319086</b>	S-30	Flexible Seat
1-1/2" x 1-1/4"	<b>0319079</b>	S-21	Rigid Seat (rubber over brass)
	<b>0396062</b>	F-105	Slip Joint Gasket – Rigid
1-1/4"	<b>5306057</b>	F-3	Red Friction Ring
	<b>5322176</b>	VBF-5	Black Slip Joint Gasket
	<b>0307052/5307052</b>	G-21	Rigid Seat (rubber over brass)
1"	<b>5306056</b>	F-3	Red Friction Ring
	<b>5306115</b>	F-5	Black Slip Joint Gasket
3/4"	<b>5306055</b>	F-3	Red Friction Ring
	<b>5306113</b>	F-5	Black Slip Joint Gasket

### SLIMLINE® BEDPAN WASHER RETROFIT DIVERTERS

Code No.	Part No.	Description
<b>3309022</b>	DV-100	CP Diverter Valve Assembly
<b>3309047</b>	DV-105	CP Deoseptic Diverter Assembly
<b>3309052</b>	DV-135	CP Deoseptic Diverter Assembly 2" Offset
<b>3309061</b>	DV-115	CP Deoseptic Diverter Assembly ADA
<b>3309062</b>	DV-115-R	CP Deoseptic Diverter Assembly ADA
<b>3309065</b>	DV-120	CP Diverter Assembly ADA 1-1/2" Offset
<b>3309066</b>	DV-120-R	CP Diverter Assembly ADA 1-1/2" Offset
<b>3309069</b>	DV-125	CP Deoseptic Diverter Assembly ADA Offset
<b>3309070</b>	DV-125-R	CP Deoseptic Diverter Assembly ADA Offset
<b>3309051</b>	DV-130	CP Diverter Assembly 2 Offset

### SLIMLINE® BEDPAN REPAIR KITS

<b>3309035</b>	DV-1001	Kit Bedpan Washer Wall Support
<b>3309036</b>	DV-1002	Repair Kit Deoseptic Pivot
<b>3309037</b>	DV-1003	Repair Kit Bedpan Washer Pivot
<b>3309040</b>	DV-1004	Repair Kit Deoseptic Diverter
<b>3309048</b>	DV-1005	Conversion Kit Deoseptic Diverter Assembly
<b>3309032</b>	DV-1007	Repair Kit Spray Arm
<b>3309077</b>	DV-1014	Repair Kit 10" Spray Arm
<b>3309044</b>	DV-32-AA	Repair Kit 12" Spray Arm
<b>3309015</b>	DV-1017-A	Repair Kit 15" Spray Arm

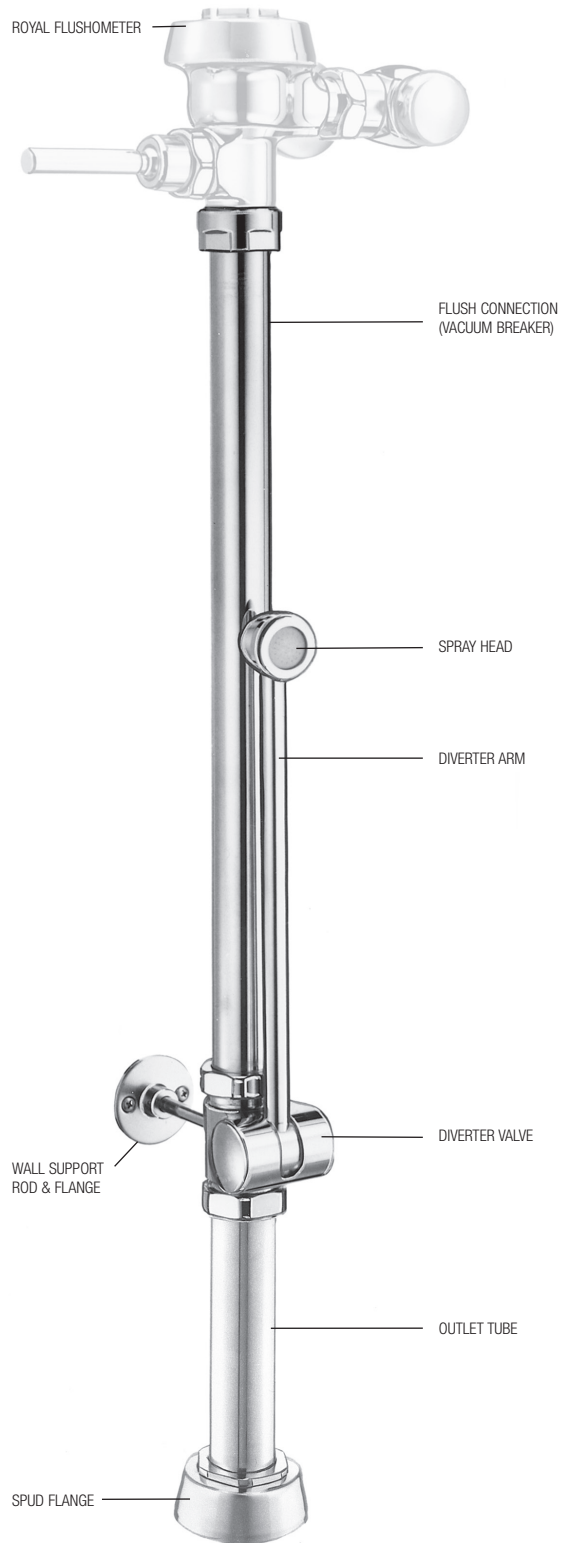
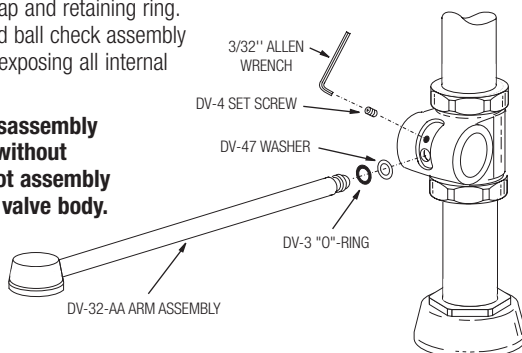
### REBUILDING THE SLOAN SLIMLINE DIVERTER ASSEMBLY:

**To disassemble diverter valve:** Loosen set screw and remove spray arm from pivot. Slide pivot out of diverter valve body.

#### To further disassemble deoseptic diverters:

Remove plug cap and retaining ring. Slide swivel and ball check assembly off pivot shaft, exposing all internal components.

**NOTE: This disassembly can be done without removing pivot assembly from diverter valve body.**



## Slimline® Bedpan Washer Flushometer

### TROUBLESHOOTING GUIDE

See Royal® flushometer troubleshooting section for all problems regarding the flushometer and the flushing discharge.

#### 1. Diverter leaking at spray arm.

- A. Diverter spray arm (old style) is damaged. Replace diverter arm with new spray arm replacement kit. **NOTE: On old style diverter spray arm, the spray arm O-ring was placed on groove at the end of the spray arm. When installing new spray arm kit, place washer into bottom of hole of nozzle pivot. Then place the O-ring on top of washer. Insert new spray arm into the pivot, pressing in slightly. While holding spray arm in place, tighten set screw.**
- B. Spray arm O-ring is damaged or installed improperly. Re-install O-ring as described above in step (A.). If leakage persists replace using spray arm kit DV-1007-A.

#### 2. Diverter leaking at nozzle pivot.

- A. One or both pivot O-rings are worn. Replace nozzle pivot assembly. Use pivot replacement kit.
- B. Diverter seal washer worn or missing. Replace pivot seals. Use diverter rebuild kit.
- C. Nozzle pivot damaged. Replace nozzle pivot assembly. Use pivot replacement kit.

#### 3. Erratic spray pattern from spray arm nozzle.

- A. Debris clogging nozzle screen. Wash nozzle screen under running water.
- B. Damaged or missing nozzle screen or spray disc. Replace using DV-1007-A spray arm replacement kit.

#### 4. Deoseptic solution not siphoning from bottle during flush cycle (deoseptic models only).

- A. Adjusting screw not open. Open adjusting screw until adequate amount of solution is siphoned from bottle during flush cycle.
- B. Aspirator tube screen clogged. Remove solution bottle. Remove aspirator tube from swivel & ball check assembly and wash screen under running water.
- C. Aspirator tube not installed completely onto swivel & ball check assembly. Remove solution bottle. Make sure aspirator tube is pushed completely onto nipple of swivel & ball check assembly.
- D. Aspirator tube cracked. Replace aspirator tube assembly.
- E. Rubber ball check stuck inside swivel & ball check assembly. Remove solution bottle and aspirator tube from swivel & ball check assembly. Gently insert small implement (paper clip, small dia. hex key, etc.) into nipple of swivel & ball check assembly to dislodge rubber ball check. Stop pushing once water starts to trickle from nipple.  
**NOTE: If ball is pushed too hard or too far it may fall out of seat. Should this occur, the swivel & ball check assembly must be removed and ball replaced. To do this, remove retaining ring using retaining clip pliers. Pull swivel & ball check assembly off of adjusting screw being careful not to drop rubber ball check. Place rubber ball back into seat of swivel & ball check assembly and reassemble. If ball and seals appear worn rebuild.**

#### 5. Water leaking back into solution bottle.

- A. Rubber ball damaged or missing. Replace rubber ball using DV-1004-A deoseptic diverter rebuild kit.
- B. Rubber ball not sitting in seat of swivel & ball check assembly. Remove swivel & ball check assembly taking care not to lose rubber ball. Insert rubber ball back into seat of swivel & ball check assembly and reassemble. **NOTE: Follow steps in solution (E.) of problem 4.**

### CARE AND CLEANING INSTRUCTIONS

**DO NOT USE** abrasive or chemical cleaners to clean flushometers as they may dull the luster and attack the chrome or special decorative finishes. Use **ONLY** mild soap and water, then wipe dry with clean cloth or towel.

While cleaning the bathroom tile, the flushometer should be protected from any splattering of cleaner. Acids and cleaning fluids can discolor or remove chrome plating.

**When assistance is required, please contact**

**Sloan Technical Support at: 1-888-SLOAN-14 (1-888-756-2614).**