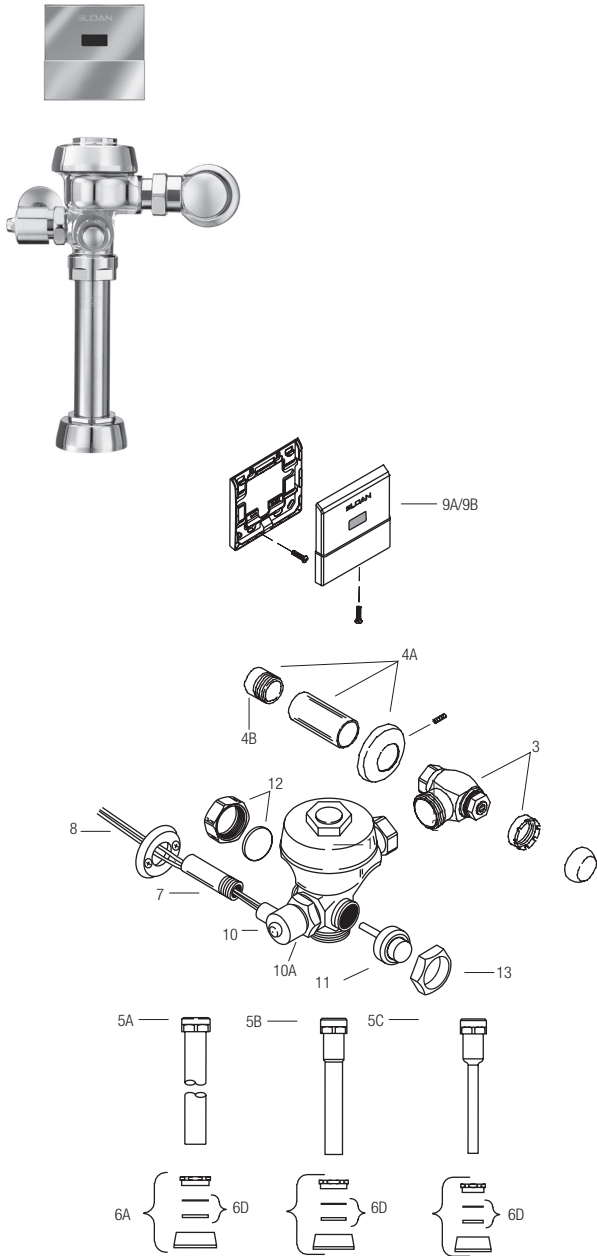


Optima® Royal® ES-S TMO Exposed Flushometer



ROYAL® OPTIMA® ES-S TMO EXPOSED FLUSHOMETER PARTS LIST

Item No.	Code No.	Part No.	Description
1.	‡		Solenoid Activated Valve Assembly
2.	‡	H-700-A	Bak-Chek® Control Stop
3.	3308772	H-1010-A	Vandal Resistant Stop Cap
4A.	3308782	H-633-AA	1" (25 mm) Sweat Solder Kit
4B.	3308603	H-532	Adapter, 1" NPT to 1" Tube
	3308607	H-535	Adapter, 3/4" NPT to 3/4" Tube
5A.	—	V-600-AA	1-1/2" (38 mm) Vacuum Breaker Assembly CP (Models 110/111, 115, and 116)
5B.	—	V-600-AA	1-1/4" (32 mm) x 9" (229 mm) Vacuum Breaker Assembly CP (Model 180 ES-S)
5C.	—	V-600-AA	3/4" (19 mm) x 9" (229 mm) Vacuum Breaker Assembly CP (Model 186 ES-S)
6A.	0306146	F-5-AT	1-1/2" (38 mm) Spud Coupling Assembly CP (Models 110/111, 115, and 116)
6B.	0306140	F-5-AU	1-1/4" (32 mm) Spud Coupling Assembly CP (Model 180)
6C.	0306125	F-5-AW	3/4" (19 mm) Spud Coupling Assembly CP (Model 186)
6D.	SEE SLIP JOINT GASKETS AND RINGS ON TABLE BELOW		
7.‡	F-15		Tail Assembly
8.	0302323PK	B-110-A	Flange Assembly
9A.	3305107	EL-635-A	CP Cover Plate with Sensor (Mounting Plate and Screws included) (Models 110/111, 115, and 116)
9B.	3305101	EL-645-A	CP Cover Plate with Sensor (Mounting Plate and Screws included) (Models 180 and 186)
10.	0305329	EL-124-2	CP 24V Solenoid Assembly Only
10A	3305043	EL-128-A	Actuator Cartridge Assembly (not shown detailed)
	3305045	EL-1028-A	Solenoid Assembly w/ Cartridge Assembly
11.	0303009	C-2-A	True Mechanical Override Button
12.	3325814	EBV-1017-A	CP Valve Handle Cap
13.	0301082PK	A-6	CP Nut
—	3345080	EL-1026-A	ES-S to ES-S-TMO Conversion Kit Exposed includes Body/Tail assembly (no inside parts or covers) #11, #12, #13, DO-22 and EL-110 o-rings
—	3305043	EL-128-A	Actuator Cartridge
14.	3302306	B-51-A	Triple Seal Handle Repair Kit
15.	3345080	EL-126-A	ESS to TMO Retrofit Conversion Kit (Exposed*)
	3388015	H-1015-A	Flow Control Kit (HEU Only) (not Shown)
16.			

‡ Part number varies with valve model variation; consult factory.

* Not shown

ITEM 6D. SLIP JOINT GASKETS AND RINGS

Size	Code No.	Part No.	Description
1-1/2"	5306058	F-3	Red Friction Ring
	5322001	VBF-5	Black Slip Joint Gasket
	0319086/5319086	S-30	Flexible Seat
	0319079	S-21	Rigid Seat (rubber over brass)
	0396062	F-105	Slip Joint Gasket – Rigid
1-1/4"	5306057	F-3	Red Friction Ring
	5322176	VBF-5	Black Slip Joint Gasket
	0307052/5307052	G-21	Rigid Seat (rubber over brass)
1"	5306056	F-3	Red Friction Ring
	5306115	F-5	Black Slip Joint Gasket
3/4"	5306055	F-3	Red Friction Ring
	5306113	F-5	Black Slip Joint Gasket