



INSTALLATION INSTRUCTIONS FOR SINGLE, DOUBLE AND TRIPLE STATION SOLID SURFACE LAVATORY SYSTEMS



ELC-81000 Series
Single Station
Solid Surface Lavatory System

ELC-81275 Model Shown



ELC-82000 Series
Double Station
Solid Surface Lavatory System

ELC-82275 Model Shown



ELC-83000 Series
Triple Station
Solid Surface Lavatory System

ELC-83275 Model Shown

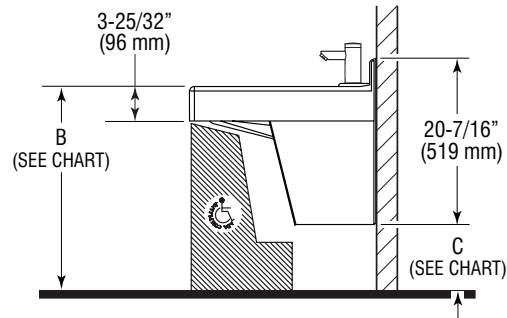
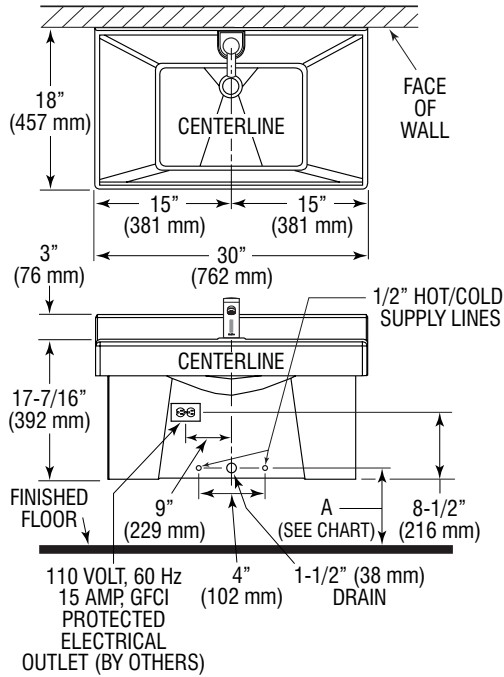
LIMITED WARRANTY

Sloan Valve Company warrants its Optima ELC-81000/82000/83000 Series Lavatory Systems to be made of first class materials, free from defects of material or workmanship under normal use and to perform the service for which they are intended in a thoroughly reliable and efficient manner when properly installed and serviced, for a period of three years (1 year for special finishes) from date of purchase. During this period, Sloan Valve Company will, at its option, repair or replace any part or parts which prove to be thus defective if returned to Sloan Valve Company, at customer's cost, and this shall be the sole remedy available under this warranty. No claims will be allowed for labor, transportation or other incidental costs. This warranty extends only to persons or organizations who purchase Sloan Valve Company's products directly from Sloan Valve Company for purpose of resale.

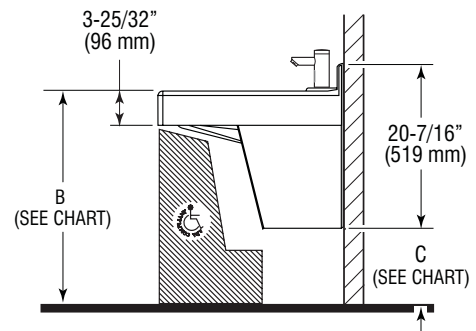
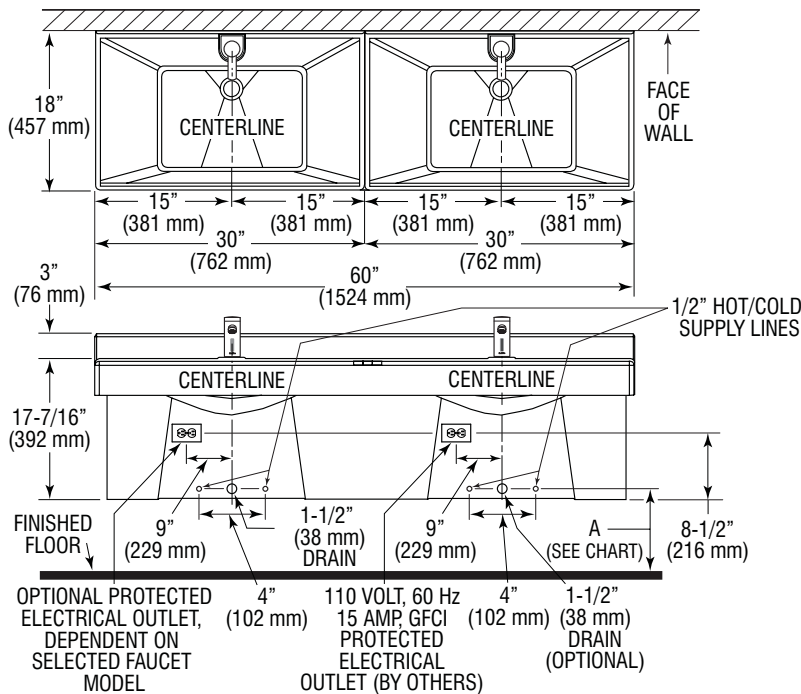
THERE ARE NO WARRANTIES WHICH EXTEND BEYOND THE DESCRIPTION ON THE FACE HEREOF. IN NO EVENT IS SLOAN VALVE COMPANY RESPONSIBLE FOR ANY CONSEQUENTIAL DAMAGES OF ANY MEASURE WHATSOEVER.

LAVATORY SYSTEM ROUGH-IN

MODEL ELC-81000
Single Station Lavatory System
Lavatory System Weight (Packaged):
Approximately 104 Lbs/47 Kg



MODEL ELC-82000
Double Station Lavatory System
Lavatory System Weight (Packaged):
Approximately 171 Lbs/78 Kg

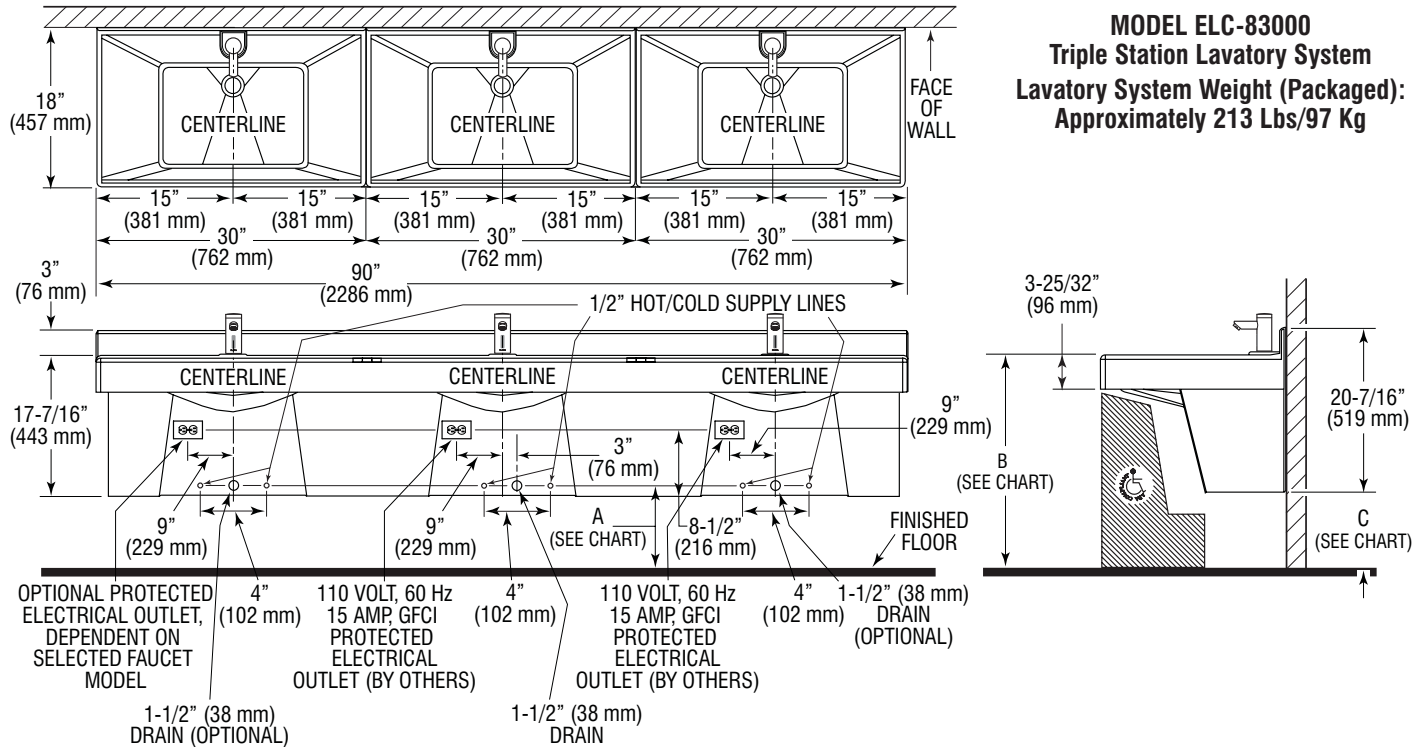


VARIABLE MOUNTING HEIGHT CHART — Single, Double & Triple Station

DIMENSION DESCRIPTION	T.A.S. AGES 4-10	T.A.S. AGES 11-15	A.D.A. STANDARD
A ROUGH-IN	18" (457 mm)	20" (508 mm)	22" (559 mm)
B RECOMMENDED RIM HEIGHT	29-15/16" (760 mm)	31-15/16" (811 mm)	33-15/16" (862 mm)
C FLOOR CLEARANCE MAX	12-1/2" (318 mm)	14-1/2" (368 mm)	16-1/2" (419 mm)
D NOMINAL FRAME HEIGHT ‡	28-17/32" (725 mm)	30-17/32" (775 mm)	32-17/32" (826 mm)

‡ Refer to Step 2.

LAVATORY SYSTEM ROUGH-IN (Continued)



VARIABLE MOUNTING HEIGHT CHART — Single, Double & Triple Station				
WHEELCHAIR ACCESSIBLE	DIMENSION DESCRIPTION	T.A.S. AGES 4-10	T.A.S. AGES 11-15	A.D.A. STANDARD
	A ROUGH-IN	18" (457 mm)	20" (508 mm)	22" (559 mm)
	B RECOMMENDED RIM HEIGHT	29-15/16" (760 mm)	31-15/16" (811 mm)	33-15/16" (862 mm)
	C FLOOR CLEARANCE MAX	12-1/2" (318 mm)	14-1/2" (368 mm)	16-1/2" (419 mm)
	D NOMINAL FRAME HEIGHT ‡	28-17/32" (725 mm)	30-17/32" (775 mm)	32-17/32" (826 mm)

‡ Refer to Step 2.

PRIOR TO INSTALLATION

Prior to installing the Sloan Optima ELC-81000/82000/83000 Series Lavatory System, install the items listed below. Also, refer to the appropriate rough-in diagram on Page 2 or 3.

- Install electrical receptacle(s) for plug-in transformer(s) when required — 120 VAC, 2 amp service for each ETF-233 (24 VAC, 35 VA) plug-in transformer used.
- Hot and cold water supply lines or tempered water supply line (if there is no tempered water supply, install thermostatic mixing valve between hot and cold water supply)
- Drain line(s)

Important:

- **ADEQUATE STRUCTURAL SUPPORT IN OR BEHIND THE WALL IS REQUIRED. REFER TO THE APPROPRIATE ROUGH-IN DIAGRAM ON PAGE 2 OR 3 FOR DRY WEIGHT OF SINK. STRUCTURAL SUPPORT MUST HOLD OVER 200 LBF (POUNDS FORCE) WITHDRAWAL LOAD FOR EACH FASTENER.**
- **INSTALL ALL ELECTRICAL WIRING IN ACCORDANCE WITH NATIONAL/LOCAL CODES AND REGULATIONS.**
- **INSTALL ALL PLUMBING IN ACCORDANCE WITH APPLICABLE CODES AND REGULATIONS.**
- **A 24 VAC STEP-DOWN TRANSFORMER MUST BE USED FOR HARDWIRE APPLICATIONS.**
- **USE APPROPRIATE PRECAUTIONS WHILE CONNECTING TRANSFORMER TO 120 VAC POWER SOURCE.**
- **DO NOT PLUG TRANSFORMER INTO POWER SOURCE (RECEPTACLE) UNTIL ALL WIRING IS COMPLETED. PERMANENT DAMAGE TO THE**

TRANSFORMER AND CIRCUIT CONTROL MODULE WILL RESULT IF 24 VAC WIRES TOUCH EACH OTHER OR SHORT WHEN POWER SUPPLY IS ACTIVE.

- **BEFORE CONNECTING FLEX HOSES TO SUPPLY STOPS, FLUSH ALL WATER LINES UNTIL WATER IS CLEAR.**

TOOLS REQUIRED FOR INSTALLATION

- Electric drill for drilling anchor holes.
- Standard sockets, basin wrench, and open end wrench set for installing anchoring fasteners and faucets.
- Pipe wrench for installing drain lines.
- Phillips and straight blade screwdrivers.
- Tubing cutter
- Level
- Carpenter's square
- Caulk gun

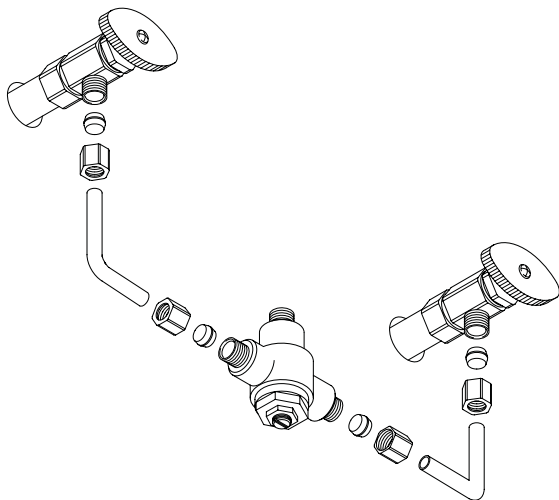
SINK LOCATION

Determine the appropriate wall location for the Lavatory System. Consider that hot and cold water supply lines, drain line(s), and an electrical source (receptacle or wiring depending on type of transformer used) will be required. Compare the physical dimensions of the Lavatory System to the space available for the installation. If wall is not load bearing, a carrier may be required behind the wall. Refer to the appropriate Rough-in diagram on Page 2 or 3 for Lavatory System dimensions.

Prior to Lavatory System installation, electric wiring, water supply and drain must be installed.

1 Install Thermostatic Mixing Valve

A If necessary, install Mixing Valve between hot and cold water supply.



2 Mount Frame to Wall

Note: *Stainless Steel Enclosure not shown on Frame to clarify fastener locations.*

Note: *Protective gloves recommended when handling stainless steel.*

A If desired, use the Installation Prop to raise the Frame to the required height.

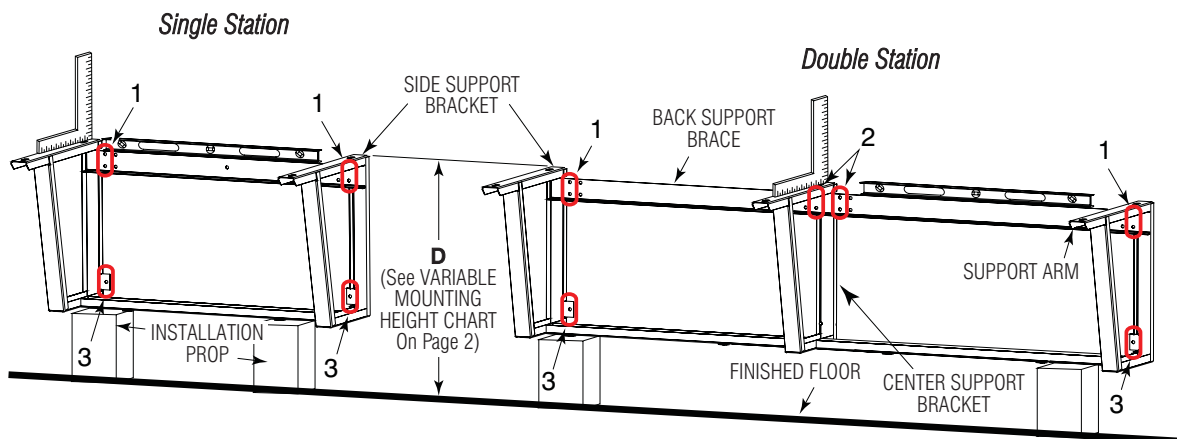
B Mount Frame to wall using fasteners and washers that hold **over 200 lbf (pounds force) withdrawal load** in the following locations:

1. Top and bottom mounting holes at the extreme outer corners of the Back Support Brace
2. Top and bottom mounting holes at both sides and closest to each Central Support Bracket
3. The lower mounting hole in each Side Support Bracket

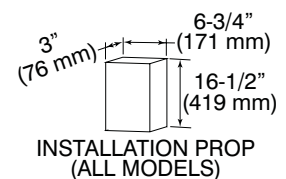
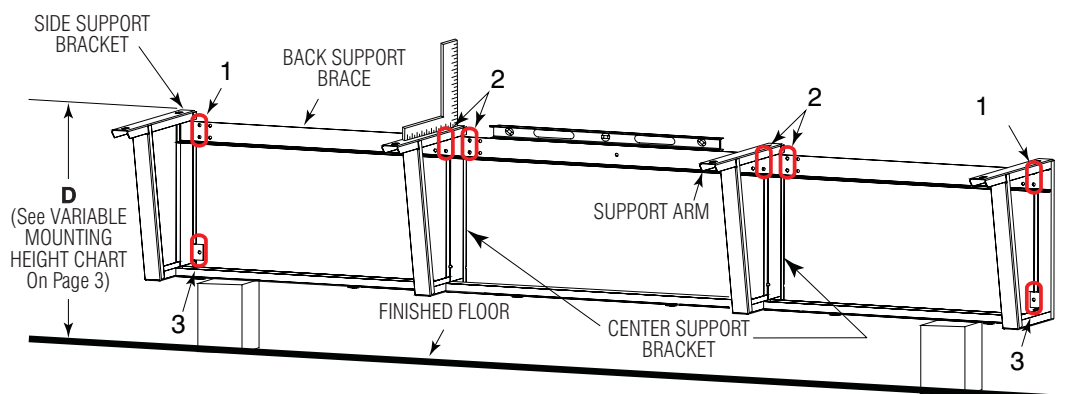
Fasteners may be optionally applied to any of the remaining mounting hole locations.

If desired, apply adhesive to back surfaces of Frame.

Level Frame in ALL directions before tightening fasteners securely.



Triple Station



3 Install Faucet(s)

Install Faucet(s) as instructed in the installation instructions furnished with the Faucet(s). Also see Step 6 for Transformer hookup.

FAUCET OPTIONS

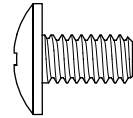


4 Mount Deck to Frame

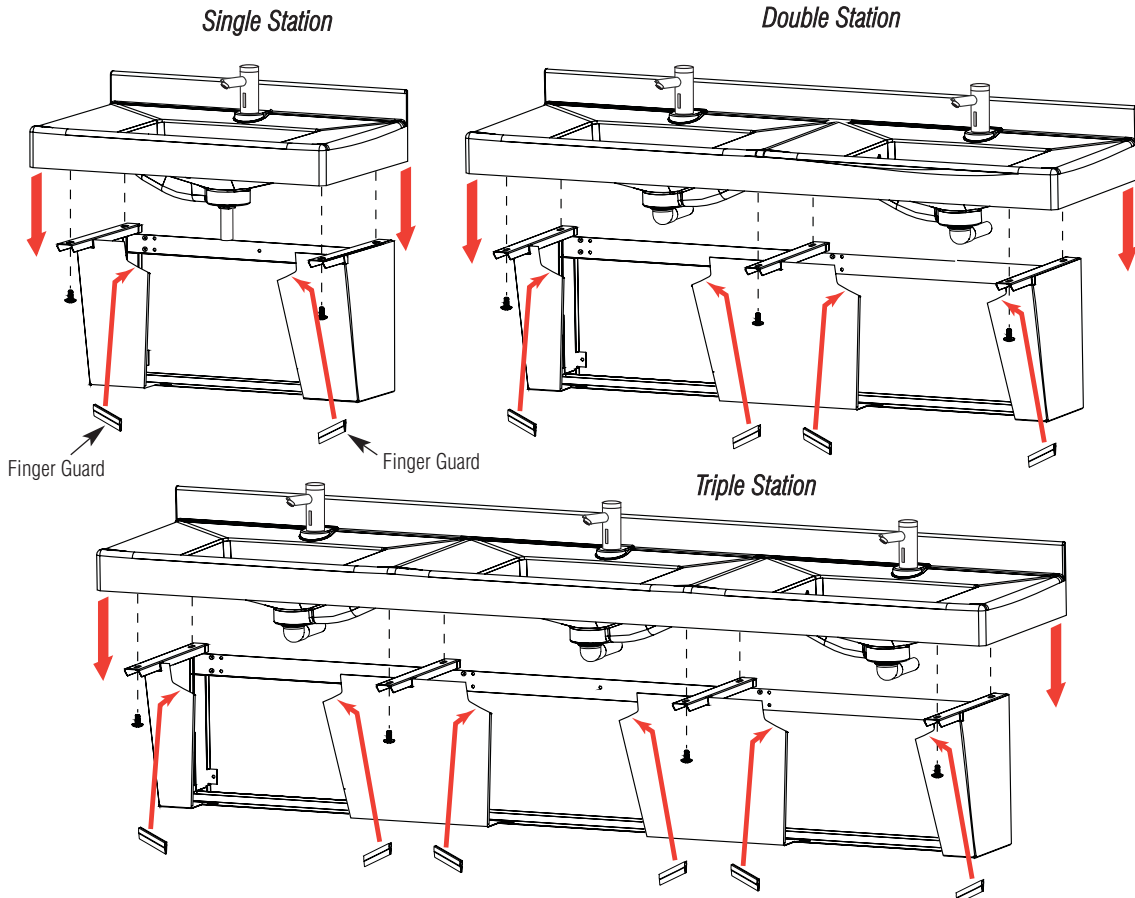
Note: If desired. Grid Strainers may be installed prior to mounting Deck to the Frame. Refer to Step 5.

- A** Install Finger Guards onto top edges of Cabinet openings as illustrated.
- B** Mount Deck to Frame using 1/4" -20 x 1/2" Truss Head Screws.
 - Single Station Sink: 4 fasteners
 - Double Station Sink: 6 fasteners
 - Triple Station Sink: 8 fasteners

1/4" -20 x 1/2"
Truss Head Screw
(Actual Size)



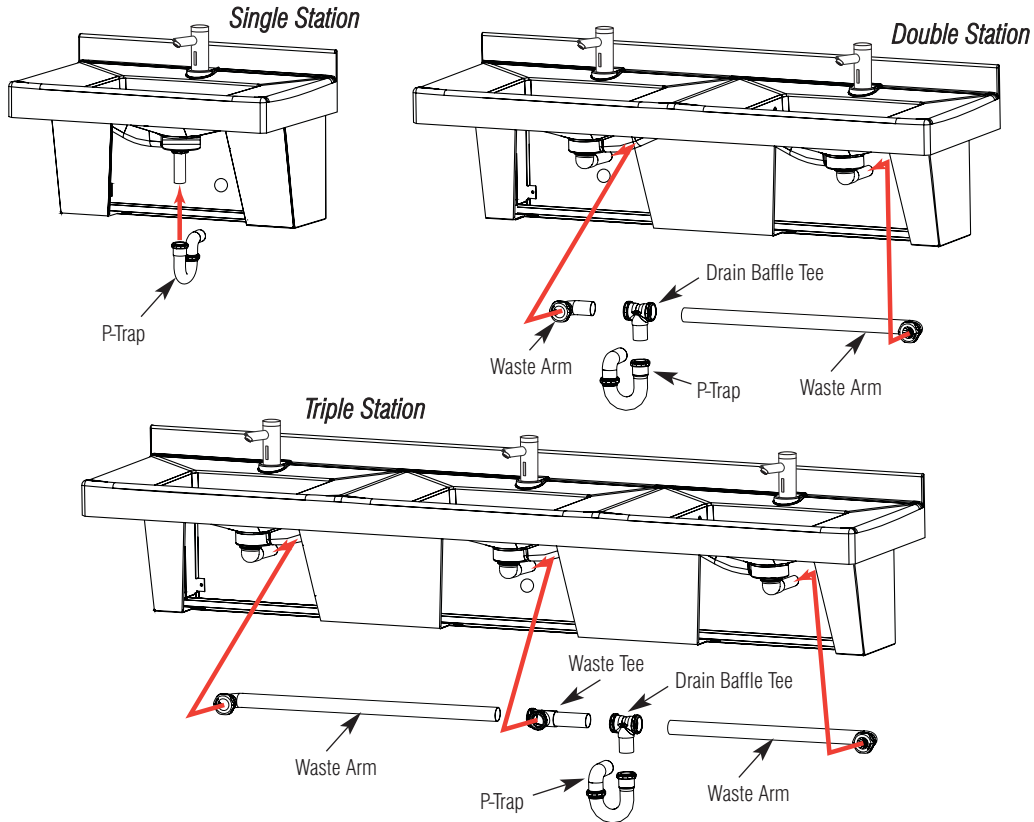
- C** If desired, apply caulk between Deck and wall.



5

Install Drain Line — Models with Continuous Waste Systems Shown

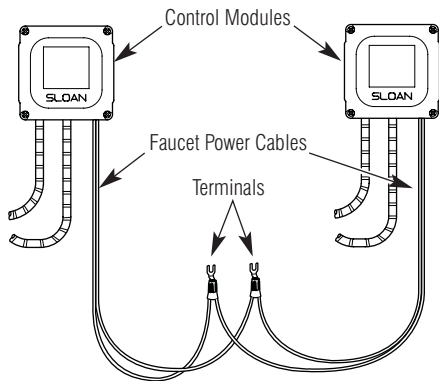
A Install Drain Line as illustrated.



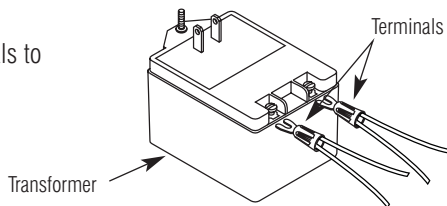
6

Connect Faucet Power Cables to Transformer and Plug Transformer into Receptacle (if required)

A Connect one Power Cable from each Control Module to a Terminal. Connect second Power Cable from each Control Module to a second Terminal.



B Connect terminals to Transformer.

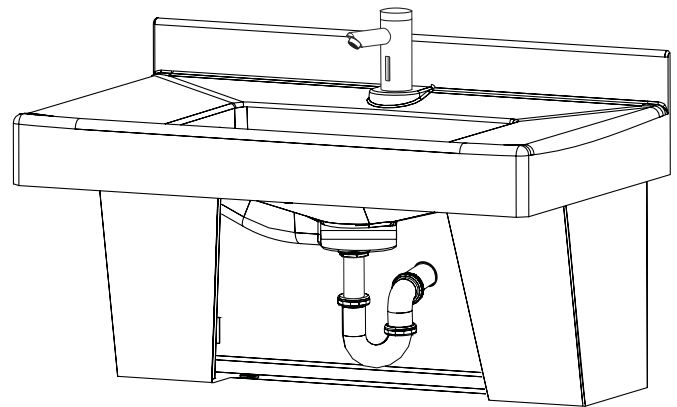


C Plug Transformer into outlet.

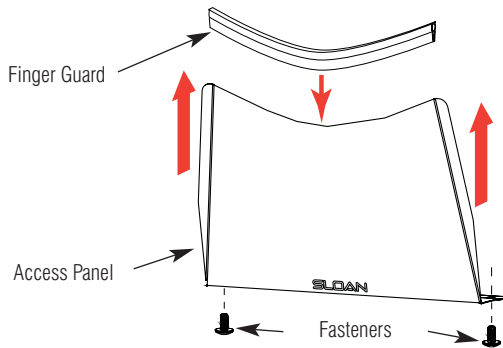
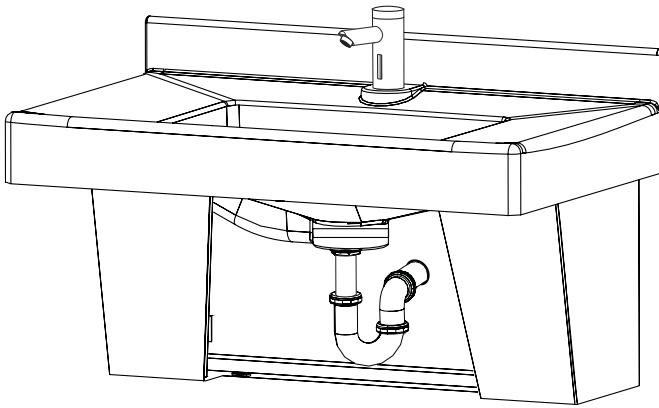
7

Turn on Water Supply and Check for Leaks

A Turn on water supply. Check for leaks and repair as necessary.



8 Install Access Panels



- A** Install Finger Guard(s) onto the top edge of the Access Panel(s).
- B** Slide Access Panel up through the slot in each side of the Cabinet.
- C** Secure Access Panel using two fasteners provided. For double and triple station sinks, install the remaining Finger Guards and Access Panels in the same manner.
- D** Remove all protective plastic and clean and polish all stainless.

Operation

As the user's hands pass under the faucet spray head and enter the beam's effective range, the beam is reflected back into the sensor receiver and activates the solenoid valve allowing water to flow from the Spray Head. Water will flow until the user's hands are removed from under the Spray Head or until the automatic time out limit setting is reached.



Troubleshooting Guide

See Troubleshooting section in the installation instructions furnished with the faucet(s).

When assistance is required, please contact Sloan Valve Company Installation Engineering Department at:
1-888-SLOAN-14 (1-888-756-2614)
OR 1-847-233-2016

Care and Cleaning

SloanStone Solid Surface Care

For normal cleaning, use warm, soapy water or conventional ammonia based liquid glass cleaner.

For dry stains, allow the soapy water or glass cleaner some time to remoisturize the area, then wipe the stain off.

To renew the surface after deep scratches or stains, use green, then maroon, and finally white 3M Scotch-Brite® pads to return the deck to a smooth 1200 grit wet-sanded finish.

If the dry stain is neither water-based nor oil-based, gently scrape the stain off with a plastic material (i.e. a plastic knife), and then proceed with the aforementioned normal cleaning procedures.

Wipe the entire surface evenly with a mild abrasive cleanser for regular maintenance.

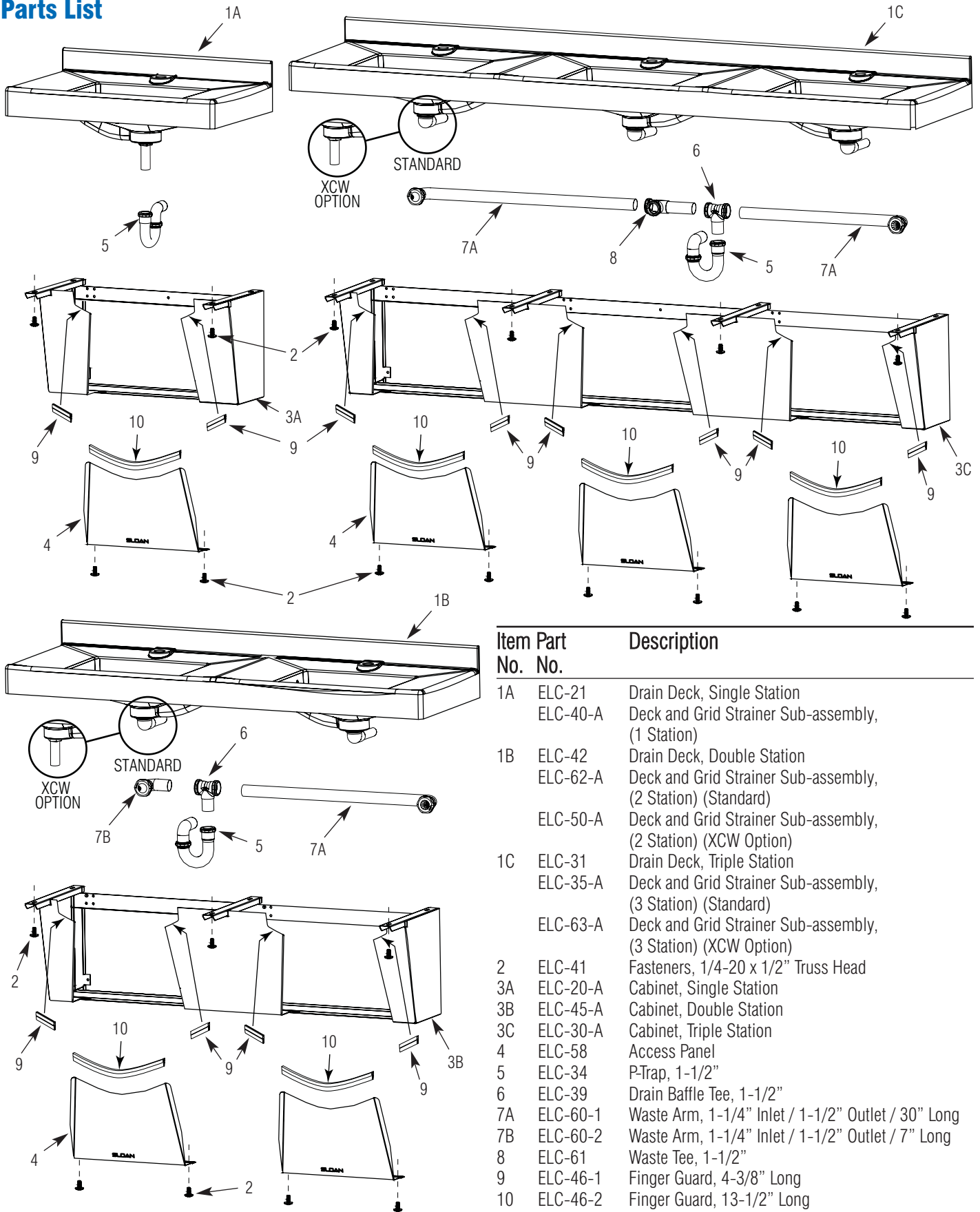
Stainless Steel Care

Important: When cleaning stainless steel, always rub in the same direction of the stainless steel finish lines, never across. After cleaning, always thoroughly rinse with water and dry all cleaned stainless steel areas to prevent buildup of mineral deposits.

Clean stainless steel surfaces often using warm, soapy water.

For more stubborn deposits, use baking soda, borax or any of several non-abrasive commercial cleansing agents. Do not leave chlorides found in most cleansing agents for extended periods of time on the surfaces as they may attack stainless steel. If an abrasive cleaning tool is needed, always use stainless steel wool, stainless steel pads, or stainless steel brushes. Do not use ordinary steel wool, pads or brushes because they have a tendency to break apart and leave small particles which will rust on the stainless steel surfaces, giving the appearance that the stainless steel surfaces themselves are rusting. Do not use strong acidic or caustic cleaners or cleansers because they may also attack the stainless steel surfaces. Maintain a regular cleaning schedule.

Parts List



Item No.	Part No.	Description
1A	ELC-21	Drain Deck, Single Station
	ELC-40-A	Deck and Grid Strainer Sub-assembly, (1 Station)
1B	ELC-42	Drain Deck, Double Station
	ELC-62-A	Deck and Grid Strainer Sub-assembly, (2 Station) (Standard)
	ELC-50-A	Deck and Grid Strainer Sub-assembly, (2 Station) (XCW Option)
1C	ELC-31	Drain Deck, Triple Station
	ELC-35-A	Deck and Grid Strainer Sub-assembly, (3 Station) (Standard)
	ELC-63-A	Deck and Grid Strainer Sub-assembly, (3 Station) (XCW Option)
2	ELC-41	Fasteners, 1/4-20 x 1/2" Truss Head
3A	ELC-20-A	Cabinet, Single Station
3B	ELC-45-A	Cabinet, Double Station
3C	ELC-30-A	Cabinet, Triple Station
4	ELC-58	Access Panel
5	ELC-34	P-Trap, 1-1/2"
6	ELC-39	Drain Baffle Tee, 1-1/2"
7A	ELC-60-1	Waste Arm, 1-1/4" Inlet / 1-1/2" Outlet / 30" Long
7B	ELC-60-2	Waste Arm, 1-1/4" Inlet / 1-1/2" Outlet / 7" Long
8	ELC-61	Waste Tee, 1-1/2"
9	ELC-46-1	Finger Guard, 4-3/8" Long
10	ELC-46-2	Finger Guard, 13-1/2" Long
	EW-98	Light Duty Buffing Pad (Not Shown)
	EW-108	General Purpose Buffing Pad (Not Shown)
	EW-101	Terminal (Shown in Step 6)

The information contained in this document is subject to change without notice.