

Optima Plus® Dual-Flush and Single-Flush Side Mount Unit Installation Instructions



EBV-500-A
Single-Flush Side Mount



EBV-550-A
Dual-Flush Side Mount

LIMITED WARRANTY

Unless otherwise noted, Sloan Valve Company warrants this product, manufactured and sold for commercial or industrial uses, to be free from defects in material and workmanship for a period of three (3) years (one (1) year for special finishes, SF faucets, PWT electronics and 30 days for PWT software) from date of first purchase. During this period, Sloan Valve Company will, at its option, repair, replace, or refund the purchase price of any product which fails to conform with this warranty under normal use and service. This shall be the sole and exclusive remedy under this warranty. Products must be returned to Sloan Valve Company, at customer's cost. No claims will be allowed for labor, transportation or other costs. This warranty extends only to persons or organizations who purchase Sloan Valve Company's products directly from Sloan Valve Company for purpose of resale. This warranty does not cover the life of the batteries.

THERE ARE NO WARRANTIES WHICH EXTEND BEYOND THE DESCRIPTION ON THE FACE HEREOF. IN NO EVENT IS SLOAN VALVE COMPANY RESPONSIBLE FOR ANY CONSEQUENTIAL DAMAGES OF ANY MEASURE WHATSOEVER.

1 - INSTALLATION (FOR EITHER LEFT- OR RIGHT-HAND)

DO NOT REMOVE STICKER FROM SENSOR WINDOW UNTIL STEP 2.

Close the control stop.

Using the supplied collar wrench, remove handle and handle gasket from flushometer, if applicable.

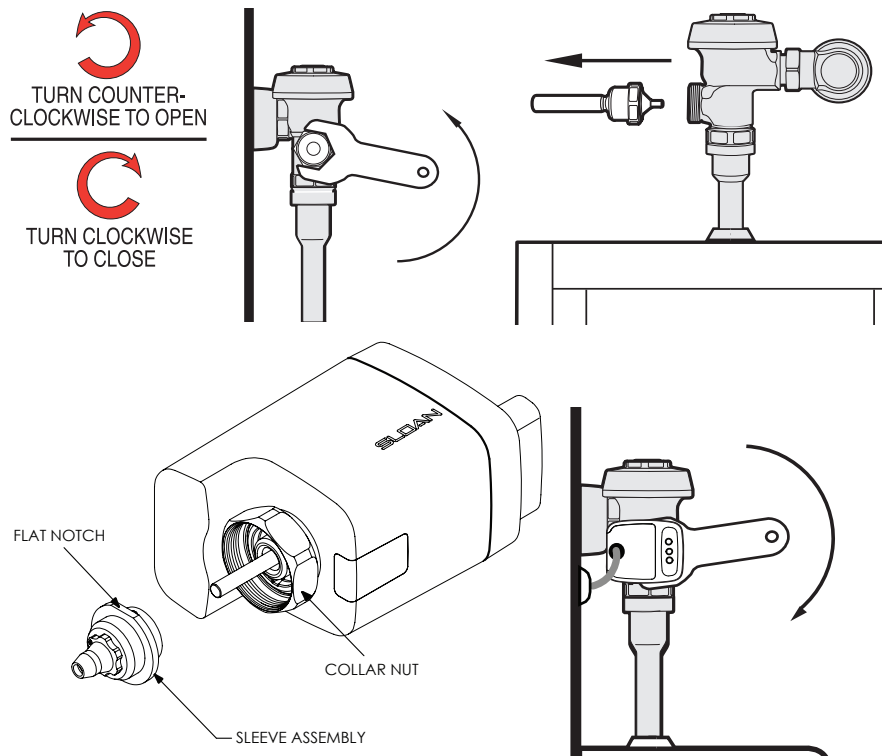
NOTE: On some flushometers with a faulty air vent, or recently flushed valve, be prepared to collect a small amount of water with a rag or sponge placed under the handle.

Place sleeve assembly with flat notch facing upwards into collar nut and attach the Side Mount unit where the handle was removed.

NOTE: Failure to install flat notch correctly can result in damage to the unit.

Tighten collar nut with supplied collar wrench. Open the control stop.

NOTE: Save the handle in the event you wish to return to manual flushometer.

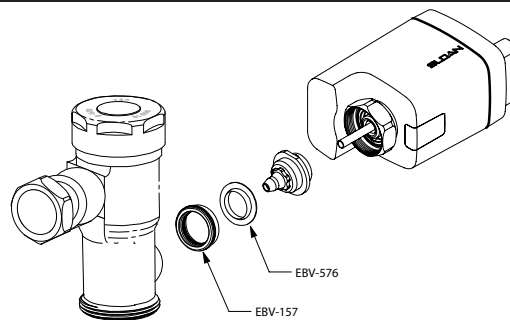


1 - INSTALLATION (FOR EITHER LEFT- OR RIGHT-HAND) - CONTINUED

NOTE: For retrofit installation to Sloan GEM•2 flushometer (-G variation).

1. Thread Chrome adapter onto valve body.
2. Place Yellow gasket on top of sleeve assembly.
3. Mount side mount to valve body and tighten collar nut.

NOTE: For retrofit installation to †Zurn flushometer make sure to re-use the †Zurn gasket and place on top of sleeve assembly before mounting to valve. Contact Sloan Technical Support if the †Zurn gasket is not present or if another is required.



2 - START-UP ACTIVATION

Remove sticker from sensor window.

The Side Mount unit comes with batteries factory installed and will “wake up” when sticker is removed from sensor window. Please ensure this is the last step in the installation process and unless the target is a permanent fixture in the sensor’s environment (i.e. a wall or stall door) it must be removed from the view of the sensor. There is a three minute delay to calibration to allow the installer to clear from the view of the sensor.

The Side Mount unit calibrates to the surrounding environment once sticker is removed (with three minute delay to allow installer to clear from the view of the sensor). Remove all non-permanent articles and step away from the sensor view until the one flush activation verifies calibration is complete. The unit will exhibit an LED flash pattern as follows:

- GREEN and RED LED flash once, GREEN LED flashes 5 times
- 150 seconds of slow GREEN double flashes
- 10 seconds of fast GREEN double flashes
- 12-15 seconds of fast GREEN flashes (calibration)
- 3 slow GREEN LED flashes indicates calibration is done
- Normal Operation with one flush activation

MODE CHANGE (SINGLE-FLUSH UNITS ONLY)

To check units mode within first hour of power up or “Wake up” :

Present target in front of the sensor

- Closet mode: GREEN LED (if battery is OK) or RED LED (if battery is low) blinks once per second.
- Urinal mode: GREEN LED (if battery is OK) or RED LED (if battery is low) blinks twice per second.

To change unit from water closet mode to urinal mode, complete the following within one (1) hour of power up:

Press and hold the True Mechanical Override (TMO) button for 20-30 seconds.

The unit will exhibit an LED flash pattern as follows:

- For approximately the first 10 seconds there will be no LED flashing.
- For approximately 10-20 seconds, both the RED and GREEN LEDs will produce short simultaneous flashes.
- For approximately 20-30 seconds, the GREEN LED will flash.

Release the TMO button during the 20-30 seconds when the GREEN LED flashes and remove non-permanent items from view of the sensor. The Side Mount unit will now be in urinal mode* and begin calibration until the one (1) flush activation verifies calibration is complete. See Activation.

To change unit back to closet mode, press and hold the TMO button for 30-40 seconds. Release when Red and Green LEDs produce long simultaneous flashes. The Side Mount unit will now be in closet mode and begin calibration.

*Urinal mode provides a shorter sensor range and 1-2 second flush delay.

SERVICE MODE - DUAL-FLUSH AND SINGLE FLUSH UNITS

Press and hold the True Mechanical Override (BLACK) button for 10-20 seconds.

The unit will exhibit an LED flash pattern as follows:

- For approximately the first 10 seconds there will be no LED flashing.
- For approximately 10-20 seconds, both the RED and GREEN LEDs will produce short simultaneous flashes.

Release the TMO button during the 10-20 seconds when both the RED and GREEN LEDs produce SHORT simultaneous flashes. The unit will now ignore targets for 10 minutes to enable the toilet or urinal to be cleaned or serviced. Unit will resume normal operation after 10 minutes or if either button is pushed. Green button will generate a reduced flush and then resume normal operation, black button will provide a full flush before resuming normal operation.

BATTERY REPLACEMENT

Using supplied battery compartment hex wrench, remove battery compartment from the Side Mount unit.

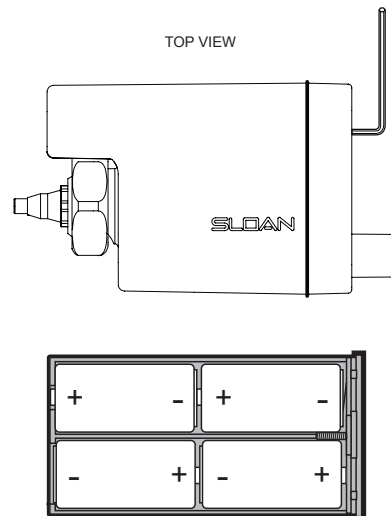
Remove batteries from compartment tray.

Install 4 new C-cell batteries into compartment tray (note position of batteries in tray), and reinstall compartment tray into the Side Mount unit.

The Side Mount unit comes preset from the factory. If special circumstances require adjustment of the activation distance, please contact Sloan.

The Side Mount unit calibrates upon power up with three (3) minute delay to allow installer to clear from the view of the sensor, GREEN and RED LEDs flash once. The unit will actuate a flush followed by 5 flashes of GREEN LED. The unit will then perform calibration, a 20 second sequence, where the GREEN LED flashes quickly. Finally the unit will start normal operation.

Manual flush button on Side Mount unit allows manual activation when desired.



TROUBLESHOOTING

1. RED LED continuously flashes when target is present within first hour of power up.

The battery is low. Refer to battery replacement instructions.

2. RED LED flashes 4 times after a target has been present for 8 seconds. RED LED flashes once when a target is not present after one (1) hour of power up.

The battery is low. Refer to battery replacement instructions.

3. RED LED flashes continuously after calibration.

The unit has failed to calibrate. The optics window is obscured. Clean window and remove any objects (barrels, toolboxes, etc.) within close proximity of unit.

Remove battery tray, wait for at least ten (10) seconds, then reinstall battery tray and repeat power-up sequence with three (3) minute delay to allow installer to clear from the view of the sensor. If unit fails, consult Sloan Technical Support.

**When assistance is required, please contact Sloan Technical Support at:
1-888-SLOAN-14 (1-888-756-2614)**

CARE AND CLEANING

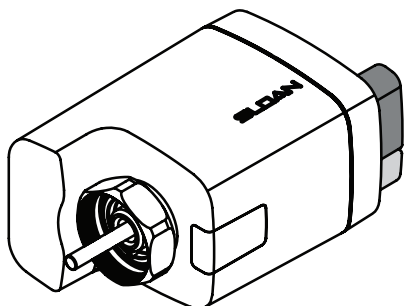
DO NOT USE abrasive or chemical cleaners (including chlorine bleach) to clean side mount unit or flushometer that may dull the luster and attack the finish. Use ONLY mild soap and water, then wipe dry with clean cloth or towel.

While cleaning the bathroom tile, protect the side mount unit from any splattering of cleaner. Acids and cleaning fluids will discolor or remove chrome plating or damage the sensor window.

DO NOT USE abrasive or chemical cleaners (including chlorine bleach) to clean sensor window that may distort or ruin the sensor.

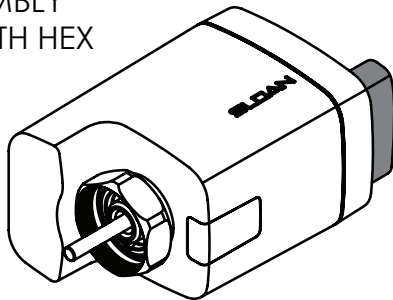
PARTS LIST

EBV-550-A
DUAL-FLUSH
SIDE MOUNT



EBV-505-A
SLEEVE ASSEMBLY
(SUPPLIED WITH HEX
WRENCH)

EBV-500-A
SINGLE-FLUSH
SIDE MOUNT



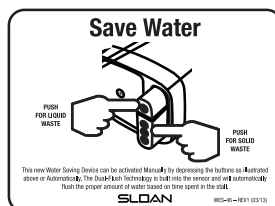
EBV-570-A
SLEEVE ASSEMBLY
(SUPPLIED WITH HEX
WRENCH)



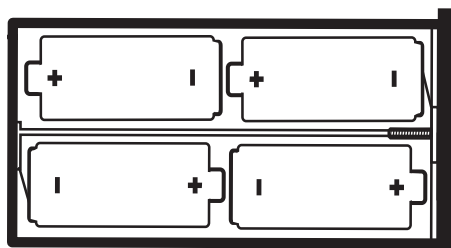
BATTERY
COMPARTMENT
HEX WRENCH 2.5 mm



EBV-545
COLLAR WRENCH



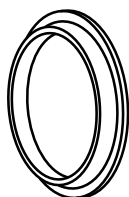
WES-46 WALL PLATE



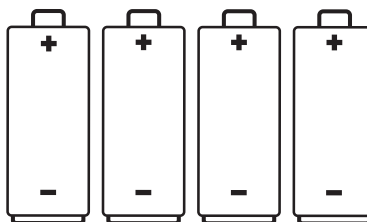
EBV-1014-A BATTERY TRAY ASSEMBLY

EBV-575-A
GEM ADAPTER KIT
FOR SFSM SINGLE FLUSH
ONLY

YELLOW GASKET
(FOR -G VARIATION ONLY)
EBV-576 (5325376)
(PACK OF 5)



CHROME ADAPTER
(FOR -G VARIATION ONLY)



4 C-CELL BATTERIES (FACTORY INSTALLED)

US Patent Pending. OPTIMA PLUS®

The information contained in this document is subject to change without notice.

SLOAN • 10500 SEYMOUR AVENUE • FRANKLIN PARK, IL 60131

Phone: 1-800-9-VALVE-9 (1-800-982-5839) • Fax: 1-847-671-4380 • sloan.com