

## DSWD-81000/82000/83000/84000 Sloan Sink System Designer Series

Single/Double/Triple/Quadruple Station Designer Series Solid Surface Lavatory Systems



**DSWD-81000**

Weir Deck One Station Engineered Stone/Solid Surface Lavatory System (Pages 2-3)



**DSWD-82000**

Weir Deck Two Station Engineered Stone/Solid Surface Lavatory System (Pages 4-5)



**DSWD-83000**

Weir Deck Three Station Engineered Stone/Solid Surface Lavatory System (Pages 6-7)



**DSWD-84000**

Weir Deck Four Station Engineered Stone/Solid Surface Lavatory System (Pages 8-9)



**IMPORTANT**



Read this entire installation manual to ensure proper installation. When finished with the installation, file this manual with the owner or maintenance department. Compliance and conformity to local codes and ordinances is the responsibility of the installers.



Separate parts from packaging and make sure all parts are accounted for before discarding any packaging material. If any parts are missing, do not begin installation until you obtain the missing parts.



Make sure that all water supply lines have been flushed and then completely turned off before beginning installation. Debris in supply lines can cause valves to malfunction. Turn OFF electrical power to the electrical outlets, then unplug all



electrical units prior to installation. Electrical power MUST remain off until installation is complete.



Installer's hardware must be appropriate for wall construction. Wall anchors must have a minimum pull-out rating of 1,000 lbs.



For standard height mounting, do not exceed the recommended 34" distance from the top of the lav deck to the finished floor. To meet ADA requirements, the lav deck cannot exceed the 34" maximum height dimension.

**PRIOR TO INSTALLATION**

**Important:**

- Adequate structural support in or behind the wall is required. Refer to the appropriate rough-in diagram for dry weight of sink. **Refer to pages 10 and 11 for sink and stud support requirements.**

- **All plumbing should be installed in accordance with applicable codes and regulations.**
- Before connecting flex hoses to supply stops, flush all water lines until water is clear.
- Hot and cold water supply lines/tempered supply line & drain lines.

**SUPPLIES REQUIRED FOR INSTALLATION OF SINKS**

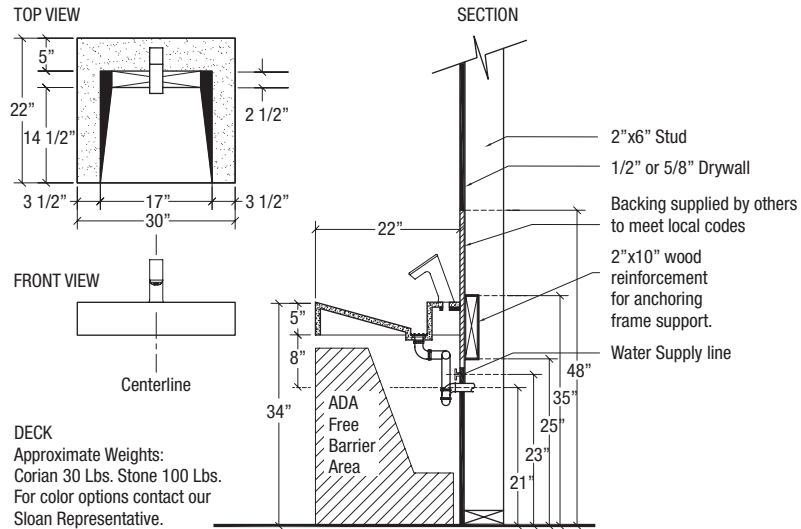
- 3/8" x 2 1/2" lag screws, wall anchors, bolts (minimum pull-out rating of 1000 lbs./450 kg). See Frame Mounting Support drawing for required lag screws for your specific lavatory system.
- 1/2" NPT hot/cold or tempered supply piping
- 1 1/2" NPT drain piping
- Adhesive: Loctite® PL Premium® FAST GRAB Polyurethane Construction Adhesive
- 110 volt GFCI protected electrical outlet for 100-120 VAC plug-in transformer
- Screen filter(s) included with faucet(s)
- Backing supplied by others to meet local code.

**LIMITED WARRANTY**

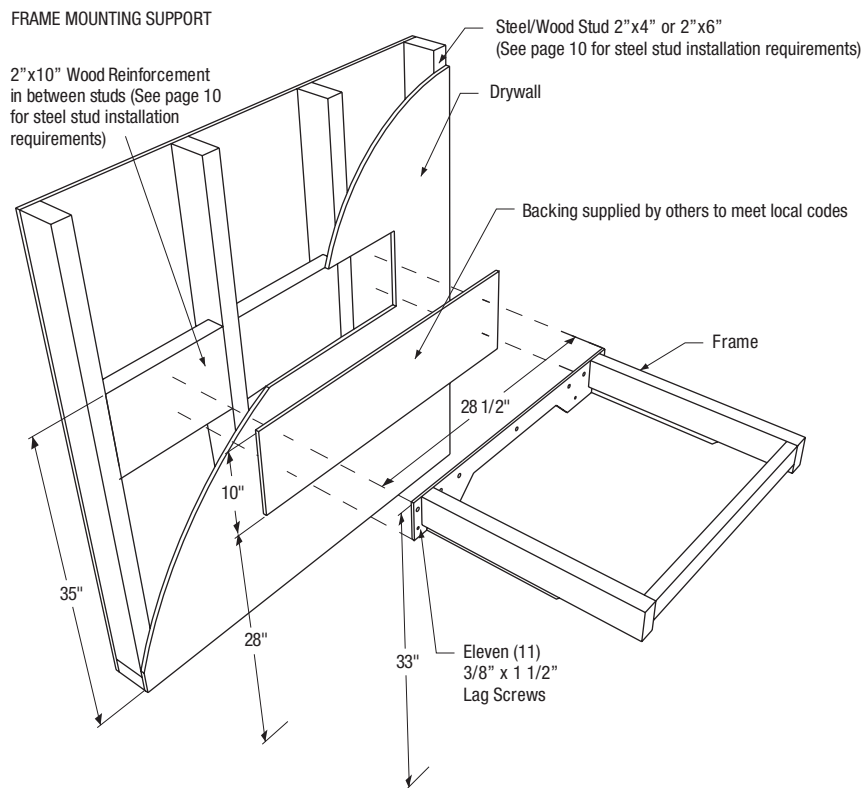
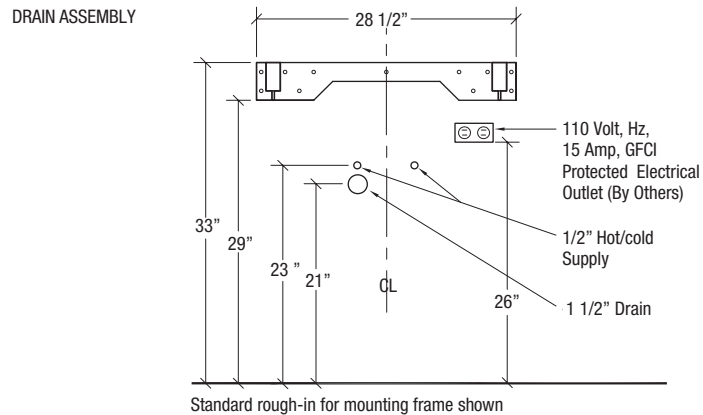
Unless otherwise noted, Sloan Valve Company warrants its Products to be made of first class materials, free from defects of material or workmanship under normal use and to perform the service for which they are intended in a thoroughly reliable and efficient manner when properly installed and serviced, for a period of three years (1 year for SF Faucets, special finishes and PWT electronics and 30 days on PWT software) from date of purchase. During this period, Sloan Valve Company will, at its option, repair or replace any part or parts which prove to be thus defective if returned to Sloan Valve Company, at customer's cost, and this shall be the sole remedy available under this warranty. No claims will be allowed for labor, transportation or other incidental costs. This warranty extends only to persons or organizations who purchase Sloan Valve Company's products directly from Sloan Valve Company for purpose of resale. This warranty does not cover the life of the batteries.

**THERE ARE NO WARRANTIES WHICH EXTEND BEYOND THE DESCRIPTION ON THE FACE HEREOF. IN NO EVENT IS SLOAN VALVE COMPANY RESPONSIBLE FOR ANY CONSEQUENTIAL DAMAGES OF ANY MEASURE WHATSOEVER.**

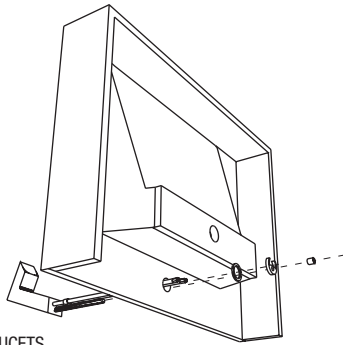
## LAVATORY SYSTEM ROUGH-IN DIMENSIONS SINGLE STATION



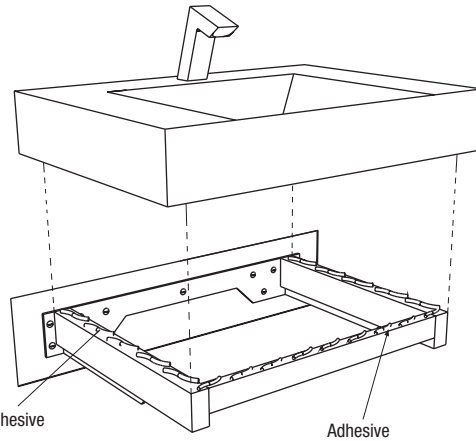
## DRAIN ASSEMBLY AND FRAME MOUNTING SUPPORT SINGLE STATION



## MOUNTING FAUCETS / ATTACHING DECK TO FRAME SINGLE STATION



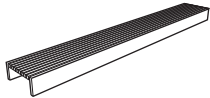
**MOUNTING FAUCETS**  
For ease of installation, leave the deck laying on its back. Install faucets and optional soap dispensers according to manufacturers instructions.



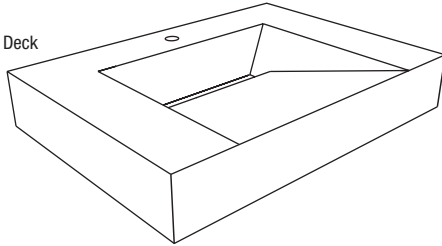
**SINGLE FRAME SUPPORT**  
1. Back edge of Deck may require scribing to finished wall.  
2. Shim all gaps between frame and deck, especially under trough area.

## COMPONENTS SINGLE STATION

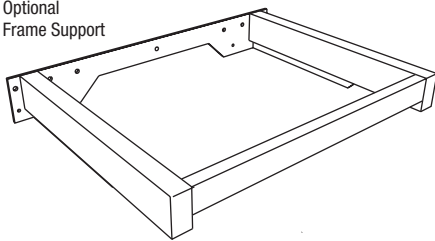
Optional Stainless Steel Decorative Grill



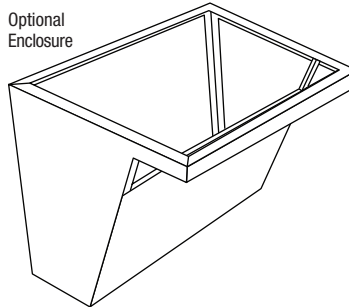
Deck



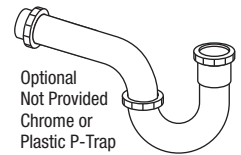
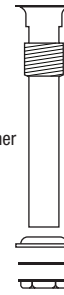
Optional Frame Support



Optional Enclosure



Grid Strainer Assembly DS-57



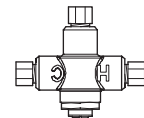
Optional Not Provided Chrome or Plastic P-Trap

Rubber Gasket  
Slip Washer  
Flange Nut

Sloan Optional Water Temperature Mixing Valves



Mix-60-A



Mix-135-A

Optional Single Bracing Supports

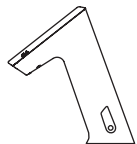


Side Brace

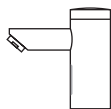
Shims



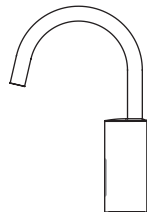
Optional Sensor Operated Faucets and Soap Dispensers



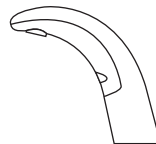
Basys (EFX Series)



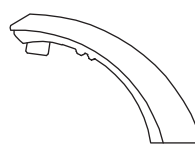
Solis (EAF-275)



Gooseneck (EAF-700)



Optima (EAF-100)



Optima (ETF-80)

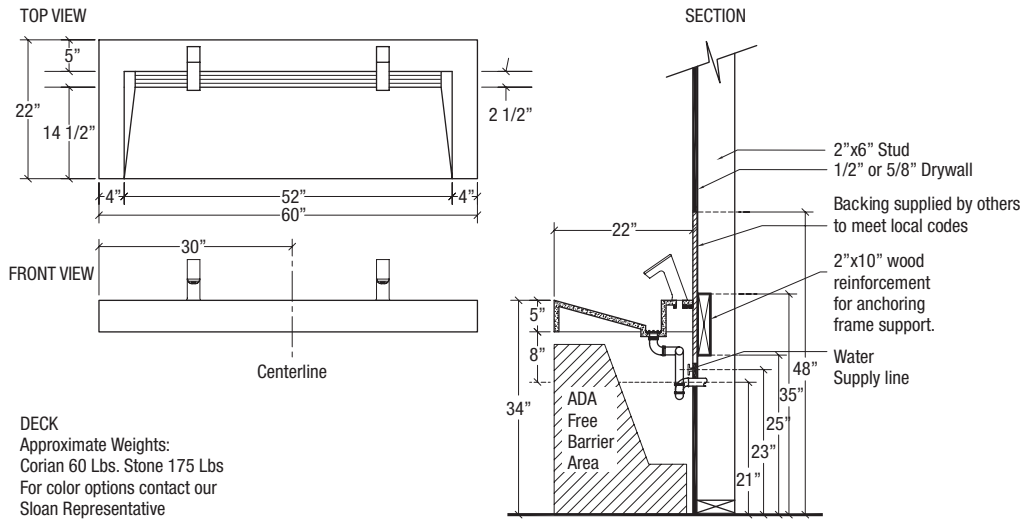


Optima Soap Dispenser (ESD-200/250)

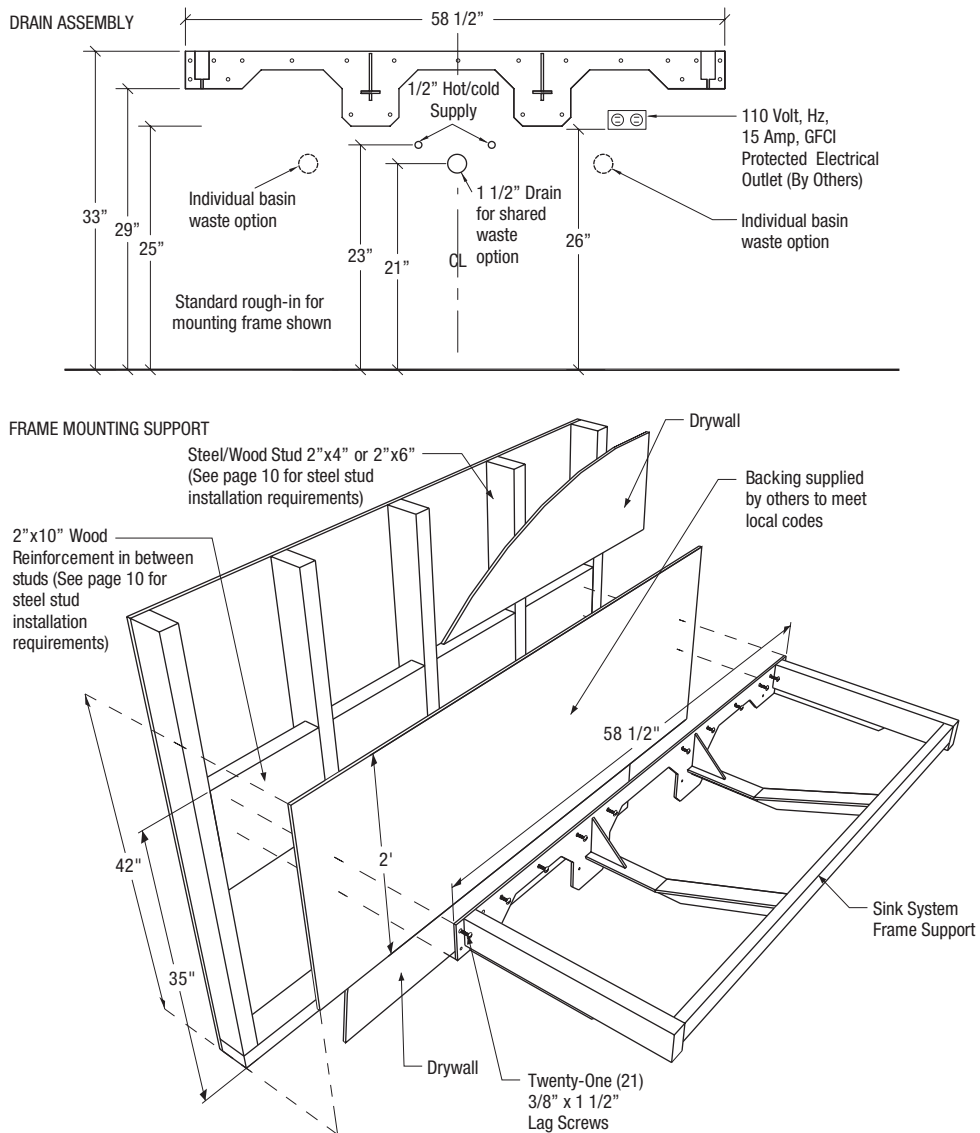


Foam Soap Dispenser (SJS-1750)

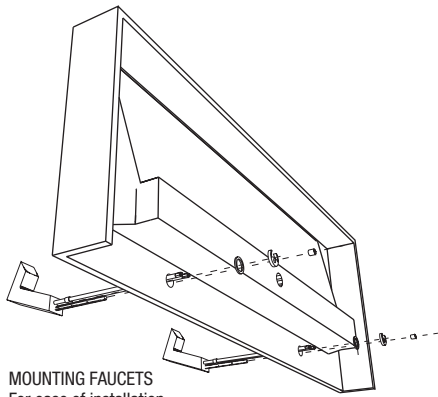
## LAVATORY SYSTEM ROUGH-IN DIMENSIONS DOUBLE STATION



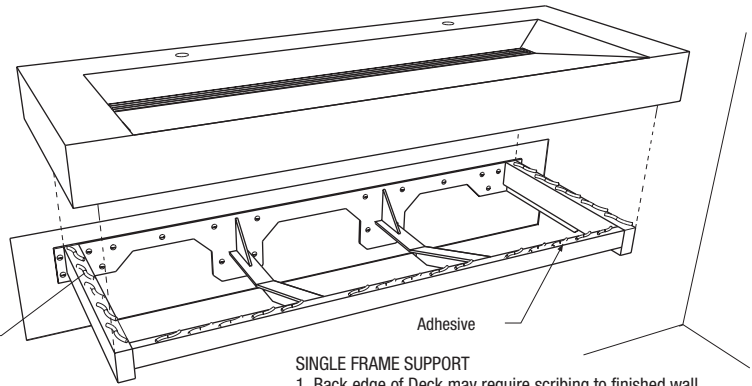
## DRAIN ASSEMBLY AND FRAME MOUNTING SUPPORT DOUBLE STATION



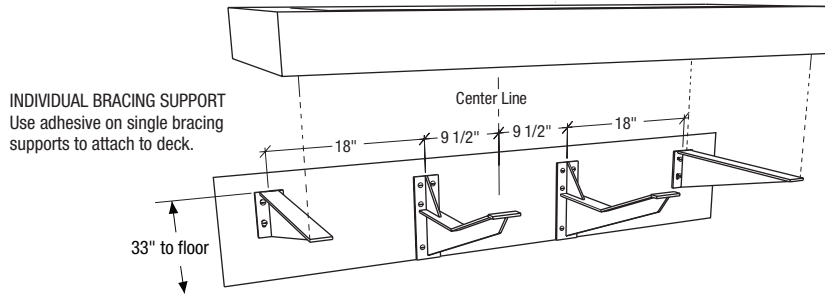
# MOUNTING FAUCETS / ATTACHING DECK TO FRAME DOUBLE STATION



**MOUNTING FAUCETS**  
For ease of installation, leave the deck laying on its back. Install faucets and optional soap dispensers according to manufacturers instructions.

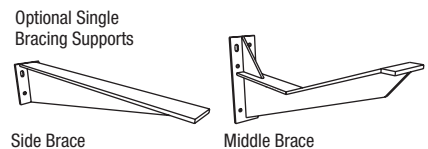
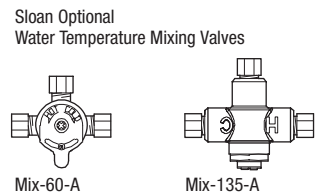
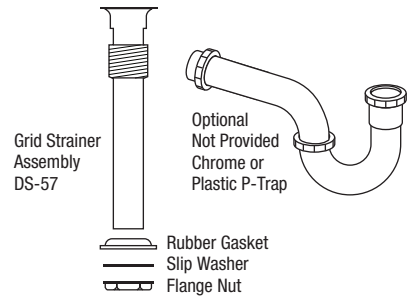
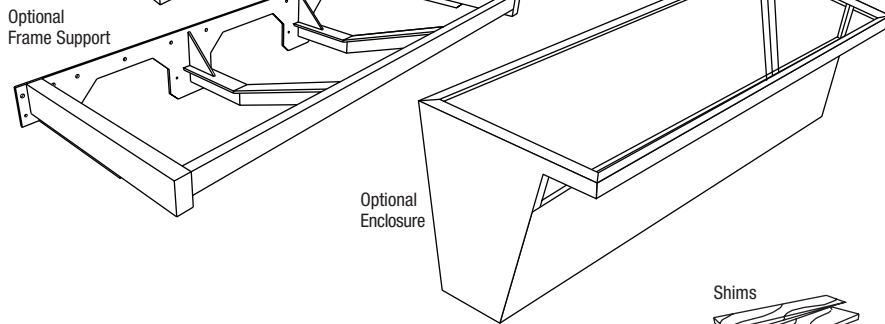
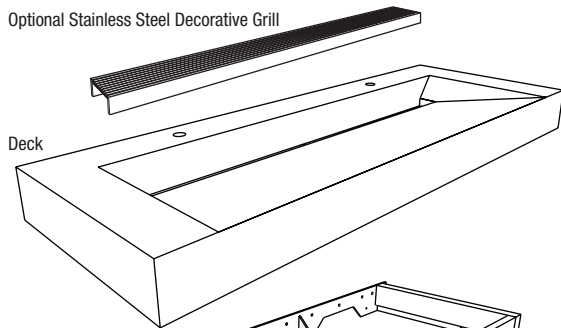


**SINGLE FRAME SUPPORT**  
1. Back edge of Deck may require scribing to finished wall.  
2. Shim all gaps between frame and deck, especially under trough area.



**INDIVIDUAL BRACING SUPPORT**  
Use adhesive on single bracing supports to attach to deck.

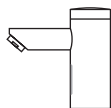
# COMPONENTS DOUBLE STATION



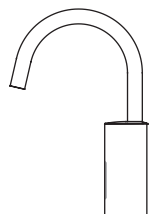
**Optional Sensor Operated Faucets and Soap Dispensers**



Basys (EFX Series)



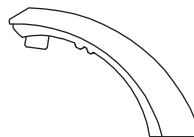
Solis (EAF-275)



Gooseneck (EAF-700)



Optima (EAF-100)



Optima (ETF-80)

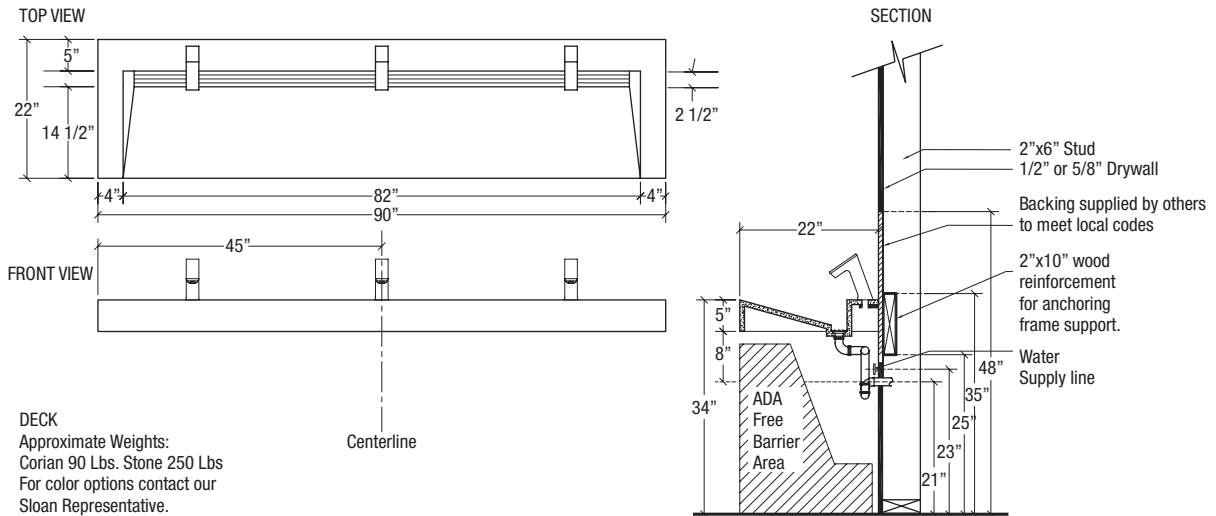


Optima Soap Dispenser (ESD-200/250)

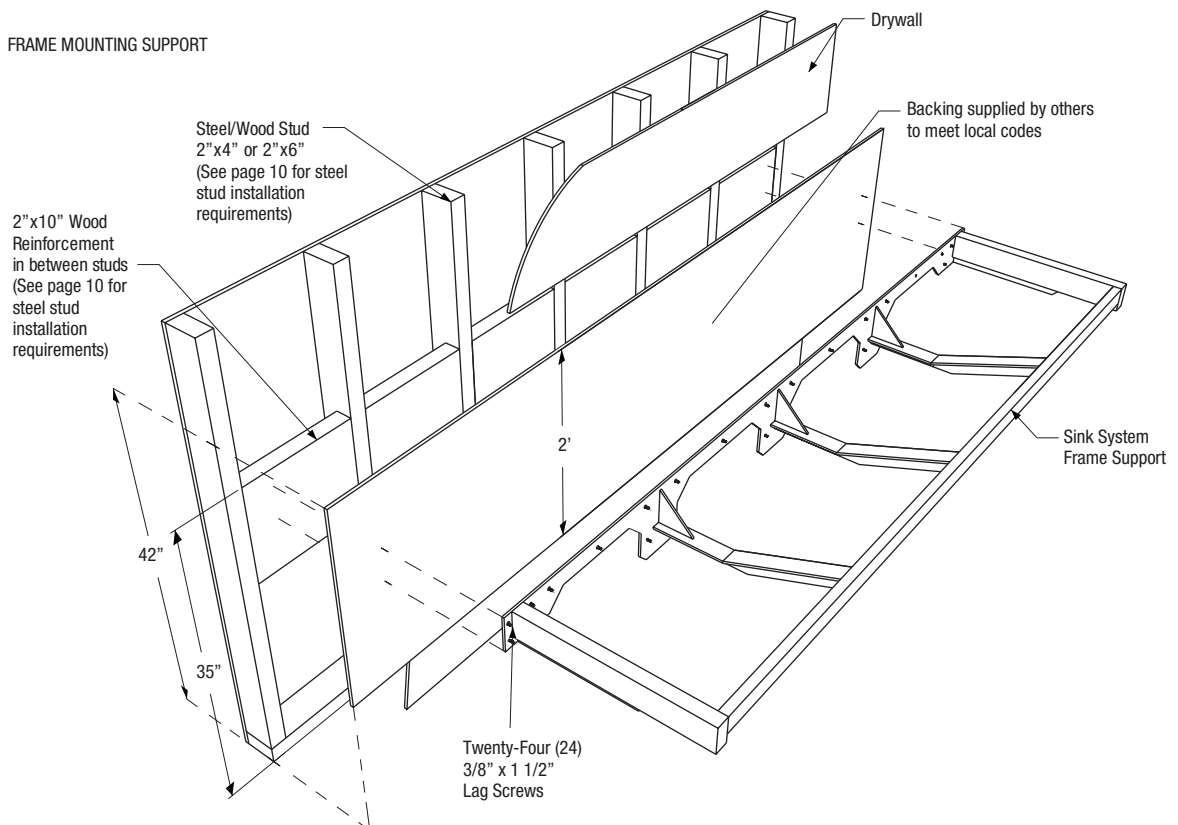
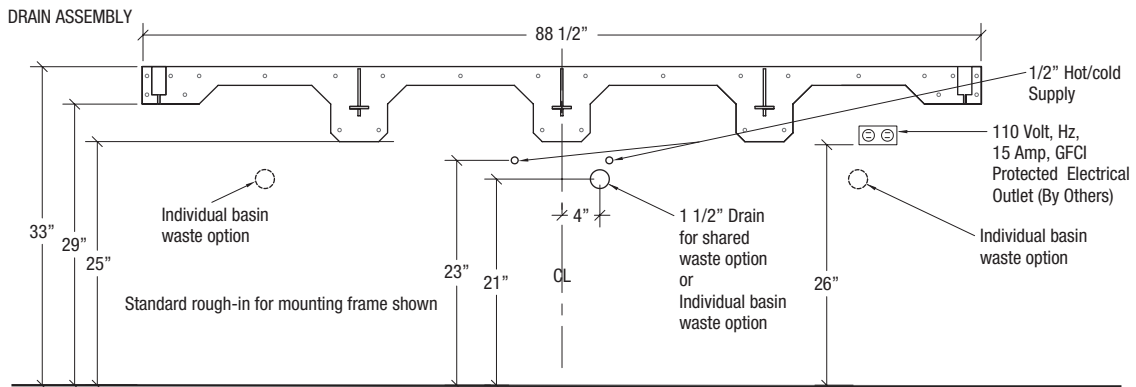


Foam Soap Dispenser (SJS-1750)

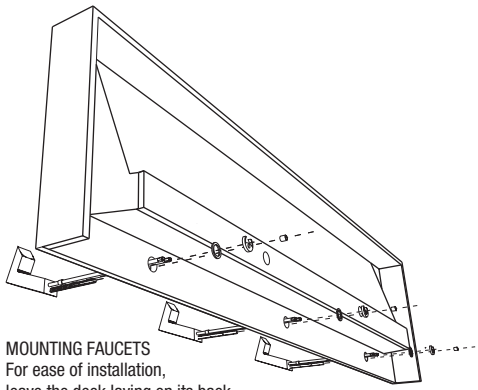
## LAVATORY SYSTEM ROUGH-IN DIMENSIONS TRIPLE STATION



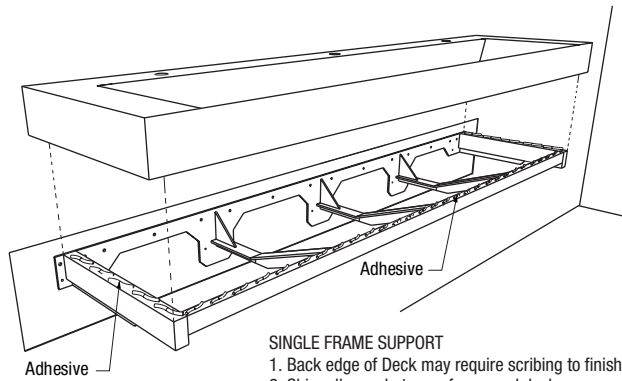
## DRAIN ASSEMBLY AND FRAME MOUNTING SUPPORT TRIPLE STATION



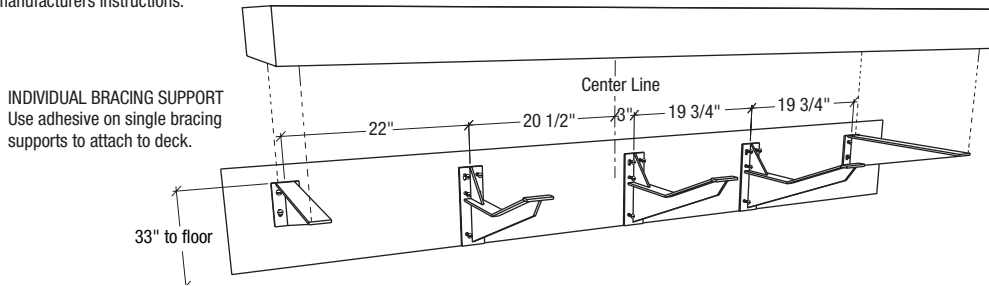
# MOUNTING FAUCETS / ATTACHING DECK TO FRAME TRIPLE STATION



**MOUNTING FAUCETS**  
For ease of installation, leave the deck laying on its back. Install faucets and optional soap dispensers according to manufacturers instructions.

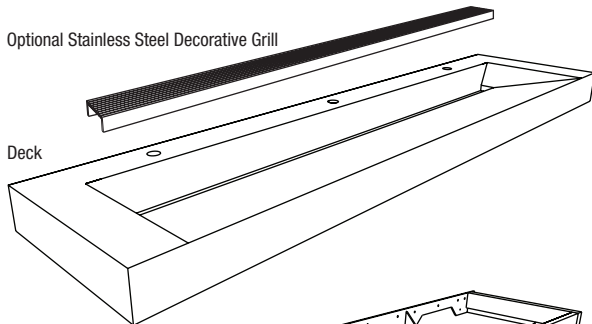


**SINGLE FRAME SUPPORT**  
1. Back edge of Deck may require scribing to finished wall.  
2. Shim all gaps between frame and deck, especially under trough area.



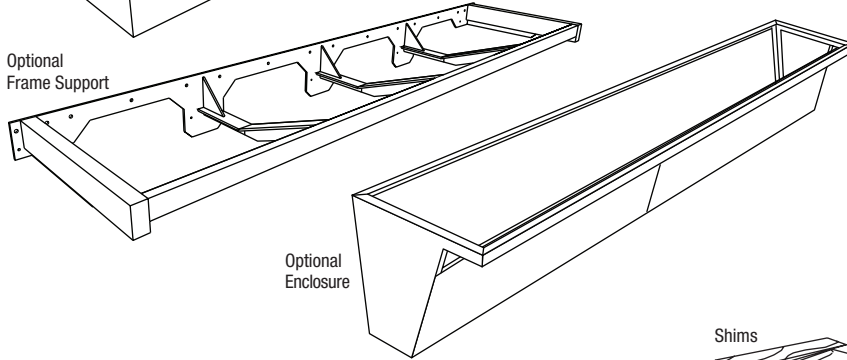
**INDIVIDUAL BRACING SUPPORT**  
Use adhesive on single bracing supports to attach to deck.

# COMPONENTS TRIPLE STATION



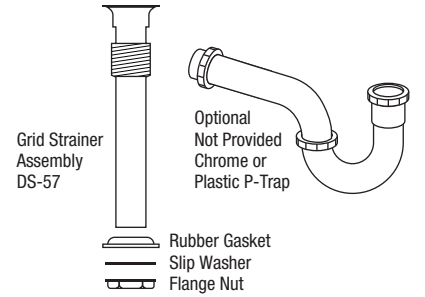
Optional Stainless Steel Decorative Grill

Deck



Optional Frame Support

Optional Enclosure

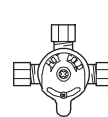


Grid Strainer Assembly DS-57

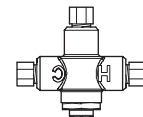
Optional Not Provided Chrome or Plastic P-Trap

Rubber Gasket  
Slip Washer  
Flange Nut

Sloan Optional Water Temperature Mixing Valves

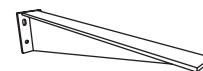


Mix-60-A

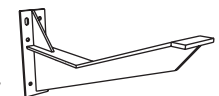


Mix-135-A

Optional Single Bracing Supports



Side Brace

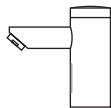


Middle Brace

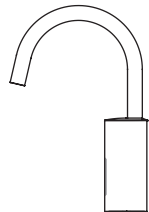
Optional Sensor Operated Faucets and Soap Dispensers



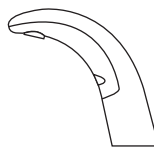
Basys (EFX Series)



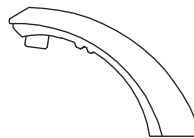
Solis (EAF-275)



Gooseneck (EAF-700)



Optima (EAF-100)



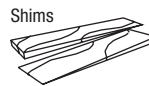
Optima (ETF-80)



Optima Soap Dispenser (ESD-200/250)

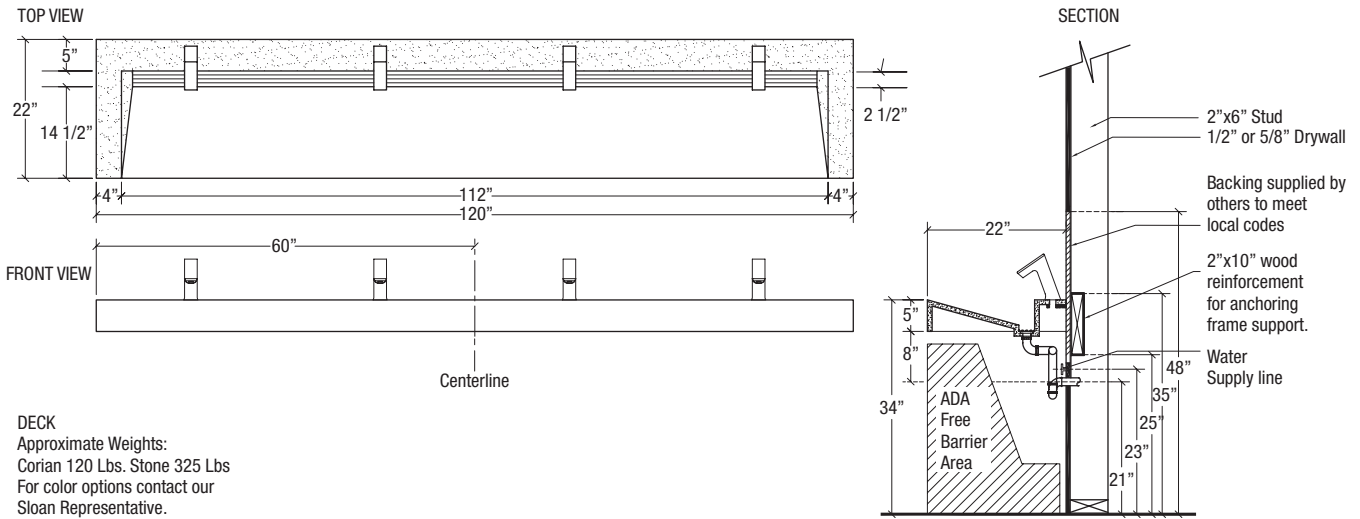


Foam Soap Dispenser (SJS-1750)

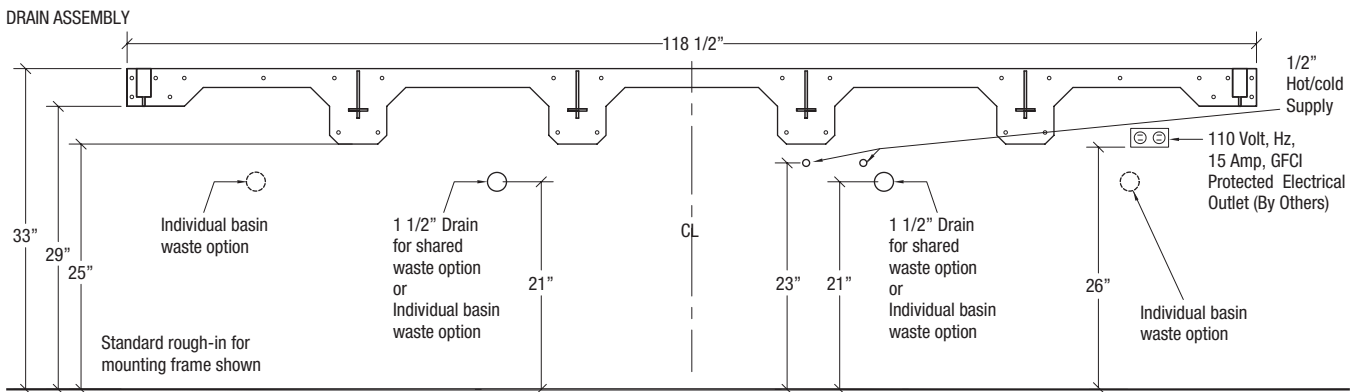


Shims

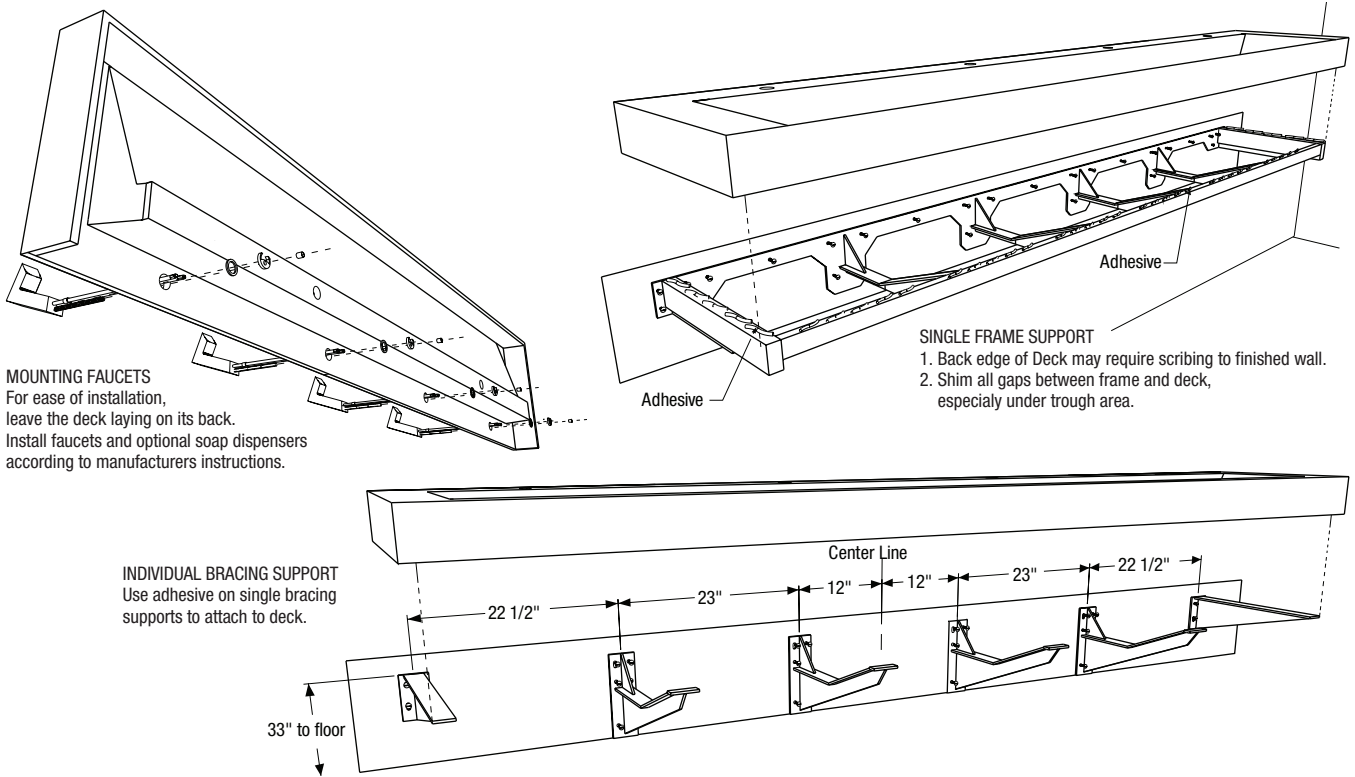
## LAVATORY SYSTEM ROUGH-IN DIMENSIONS FOUR STATION



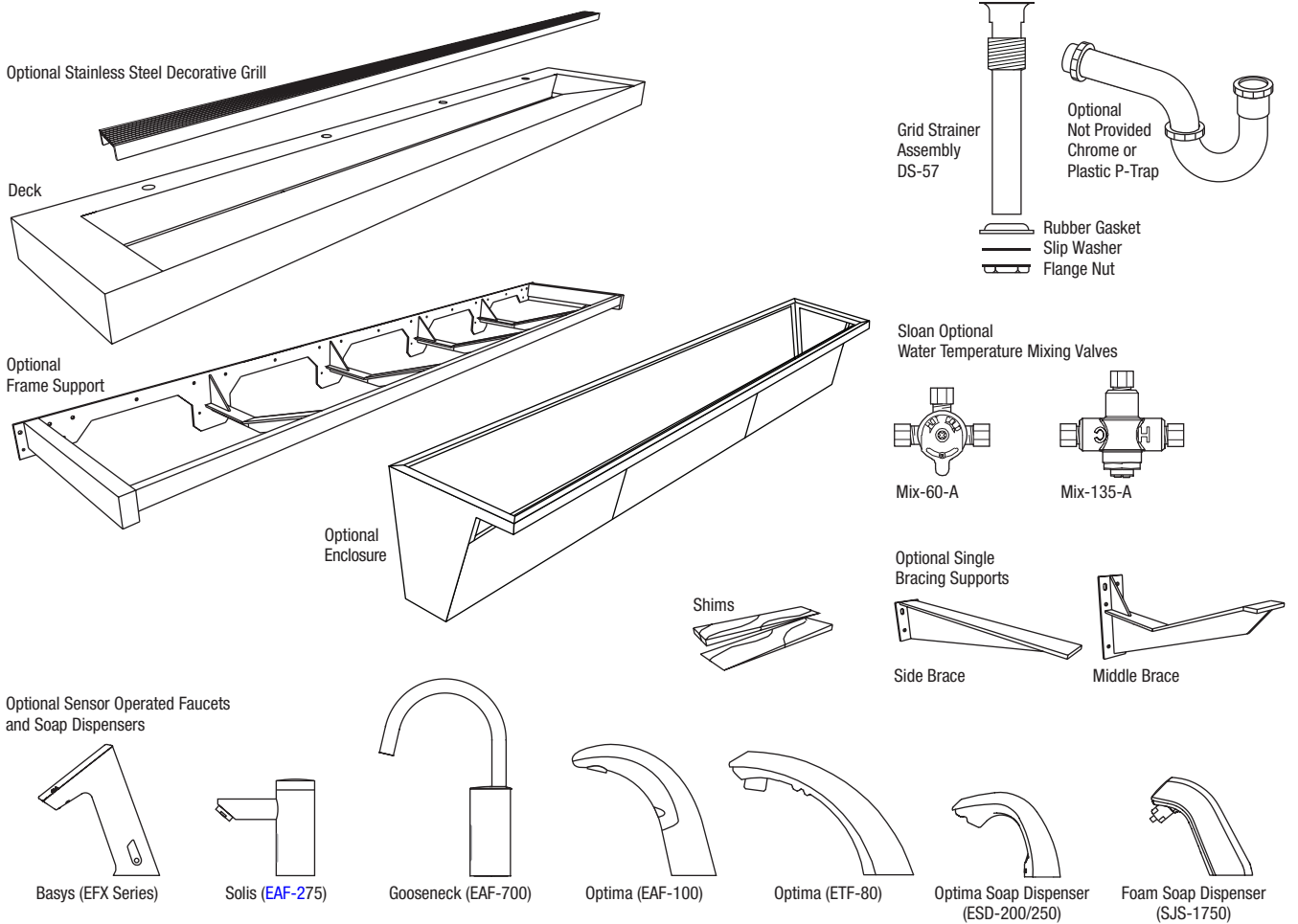
## DRAIN ASSEMBLY AND FRAME MOUNTING SUPPORT FOUR STATION



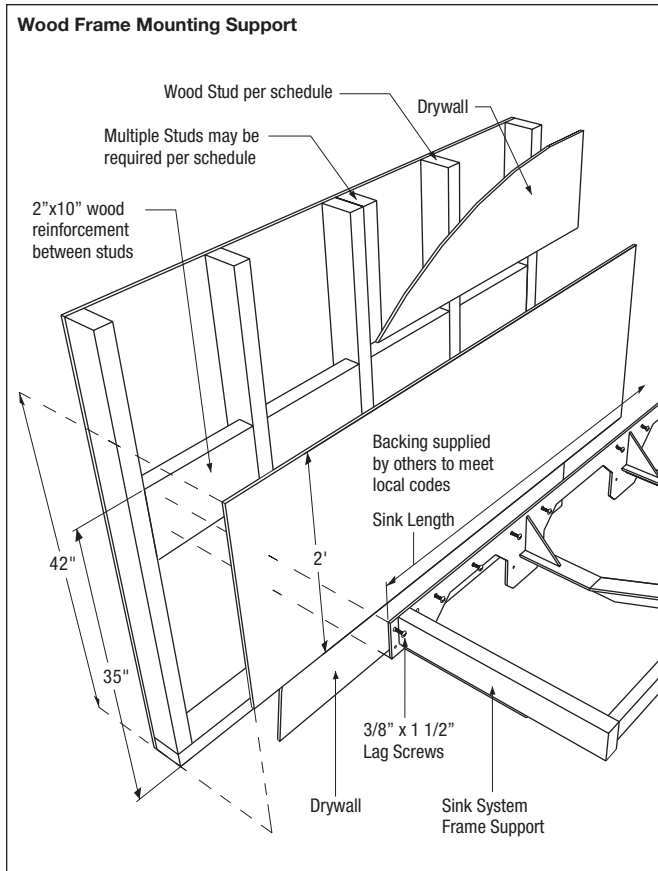
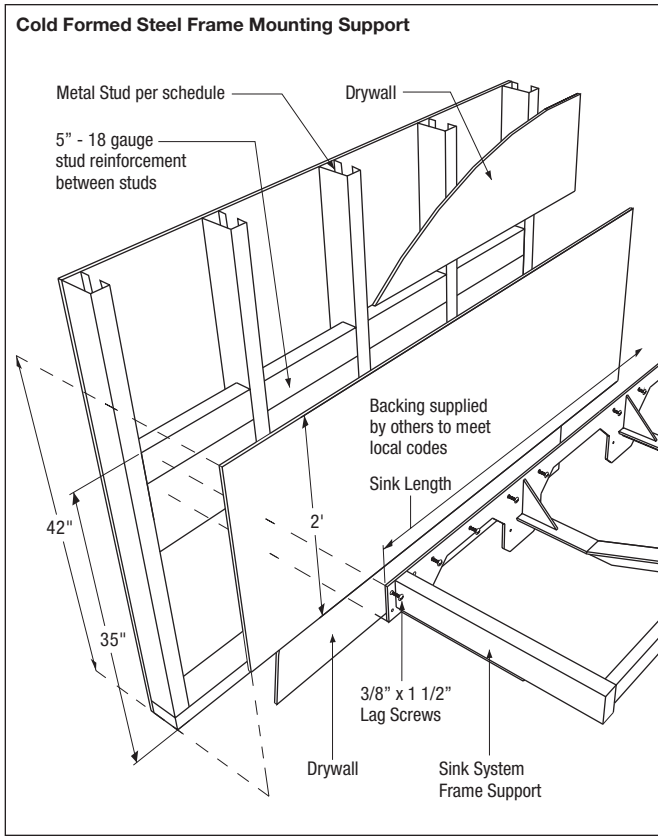
## MOUNTING FAUCETS / ATTACHING DECK TO FRAME FOUR STATION



## COMPONENTS FOUR STATION



# SINK BRACKET STUD SUPPORT



## Corian Sink Design Requirements:

- Max. sink deck depth = 24"
- Max. sink dead weight (including stone and fixture = 10 psf)
- Max. concentrated live load at edge of sink = 500lbs.
- Provide anchor spacing noted within product drawings

### Cold Formed Steel Framing for DSWD Series Corian Sinks

Wall/Stud Height	Depth	Flange	Min. Gauge	
10"	3-5/8"	1-3/8"	14	
		1-5/8"	16	
		2"	16	
	6"	2-1/2"	18	
		1-3/8"	18	
		1-5/8"	18	
		2"	18	
		2-1/2"	18	
		3"	16	
	12"	3-5/8"	1-3/8"	14
			1-5/8"	16
			2"	16
2-1/2"			16	
6"		1-3/8"	16	
		1-5/8"	18	
		2"	18	
		2-1/2"	18	
14"		3-5/8"	1-3/8"	12
			1-5/8"	16
			2"	16
			2-1/2"	16
	6"	1-3/8"	16	
		1-5/8"	18	
		2"	18	
		2-1/2"	18	
	16"	3-5/8"	1-5/8"	14
			2"	16
			2-1/2"	16
		6"	1-3/8"	14
1-5/8"			16	
2"			18	
2-1/2"			18	
18"		3-5/8"	1-5/8"	12
			2"	16
			2-1/2"	16
		6"	1-3/8"	12
			1-5/8"	16
	2"		18	
	2-1/2"		18	
	20"	3-5/8"	1-5/8"	12
			2"	14
			2-1/2"	16
		6"	1-5/8"	14
			2"	18
2-1/2"			18	
3"			16	

### Wood Framing for DSWD Series Corian Sinks

Wall/Stud Height	Stud	Studs Req. @16" o.c. (See Note 1)	Species	Grade
10'	2x4	2	SPF	No. 2
	2x6	1		
12'	2x4	3		
	2x6	1		
14'	2x4	3		
	2x6	1		
16'	2x4	3		
	2x6	1		
18'	2x4	3		
	2x6	1		
20'	2x4	3		
	2x6	2		

Note 1: Where multiple studs are listed, bunch multiple studs and space multiple studs @16" o.c. across width of sink

**Quartz Sink Design Requirements:**

Max. sink deck depth = 24"

Max. sink dead weight (including stone and fixture = 20 psf

Max. concentrated live load at edge of sink = 750lbs.

Provide anchor spacing noted within product drawings

**Cold Formed Steel Framing for DSWD Series Quartz Sinks**

WALL/STUD HEIGHT	DEPTH	FLANGE	MIN. GAUGE	
10"	3-5/8"	1-3/8"	14	
		1-5/8"	16	
		2"	16	
		2-1/2"	16	
	6"	1-3/8"	16	
		1-5/8"	18	
		2"	18	
		2-1/2"	18	
		3"	16	
12"	3-5/8"	1-3/8"	12	
		1-5/8"	16	
		2"	16	
		2-1/2"	16	
	6"	1-3/8"	16	
		1-5/8"	18	
		2"	18	
		2-1/2"	18	
		3"	16	
14"	3-5/8"	1-3/8"	12	
		1-5/8"	14	
		2"	16	
		2-1/2"	16	
	6"	1-3/8"	14	
		1-5/8"	16	
		2"	18	
		2-1/2"	18	
		3"	16	
16"	3-5/8"	1-5/8"	12	
		2"	16	
		2-1/2"	16	
		1-3/8"	12	
	6"	1-5/8"	16	
		2"	18	
		2-1/2"	18	
		3"	16	
18"	3-5/8"	1-5/8"	12	
		2"	14	
		2-1/2"	16	
		1-3/8"	12	
	6"	1-5/8"	16	
		2"	18	
		2-1/2"	18	
		3"	16	
20"	3-5/8"	1-5/8"	12	
		2"	14	
		2-1/2"	14	
		1-5/8"	14	
	6"	2"	16	
		2-1/2"	18	
		3"	16	

**Wood Framing for DSWD Series Quartz Sinks**

Wall/ Stud Height	Stud	Studs Req. @16" o.c. (See Note 1)	Species	Grade
10'	2x4	3	SPF	No. 2
	2x6	1		
12'	2x4	3		
	2x6	1		
14'	2x4	3		
	2x6	1		
16'	2x4	3		
	2x6	2		
18'	2x4	3		
	2x6	2		
20'	2x4	3		
	2x6	2		

Note 1: Where multiple studs are listed, bunch multiple studs and space multiple studs @16" o.c. across width of sink

**CLEANING AND MAINTENANCE**

**Material Description:** Corian Material is made from a blend of acrylic modified bio-based polyester resin. Engineered Stone is 90% natural quartz and polyester resin and is resistant to chemicals, stains, burns and impact. Surface damage can be easily repaired with everyday cleansers or fine grit abrasives.

**Routine Cleaning:** For regular cleaning, use standard commercial or household products such as Simple Green®, Creamy Cleanser brand, Formula 409® or Windex®.

**Stubborn Stains:** Remove tough stains, with non abrasive cleaners and pads such as a white Scotch Brite® pad and Lysol®.

**Hard Water Deposits:** Remove hard water deposits with a mild solution of vinegar and water. Always rinse the unit thoroughly after cleaning.

**Restoring the surface:** Refresh and restore the rich surface with one of the following:

**Geo Series:** Color enhancer such as Tenax® Ager

**Pearl Series:** Impregnating sealer such as DryTreat Stain - Proof Original™ or Miracle Sealants 511 Impregnator Do not use strong acid or alkaline chemicals and cleansers to clean Engineered Stone. If these chemicals come in contact with the surface, wipe them off immediately and rinse with soapy water. Avoid contact with harsh chemicals such as paint remover, bleach, acetone, etc. Avoid contact with hot pans and objects.

**Repair Kits:** Corian repair kits are available. Contact your Sloan Stone Sink Systems representative or distributor for part numbers and pricing. Repair kits are made to order and have a shelf life of 30 days. Engineered Stone shades of color can vary from product to product.

**BRAND NAMES**

Use of brand names is intended only to indicate a type of cleaner. This does not constitute an endorsement, nor does the omission of any brand name cleaner imply inadequacy. Many products named are regional in distribution, and can be found in local supermarkets, department and hardware stores, or through your cleaning service. It is emphasized that all products should be used in strict accordance with package instructions.



Sloan Valve Company  
10500 Seymour Avenue  
Franklin Park, IL 60131  
customer.service@sloanvalve.com  
www.sloanvalve.com

The information contained in this document is subject to change without notice.  
Copyright © 2014 Sloan Valve Company      Code No. 0816657– Rev. 1 (11/14)