

Denomination/Denominación/Dénomination

PROFESSIONAL BLENDER

LIQUADORA INDUSTRIAL

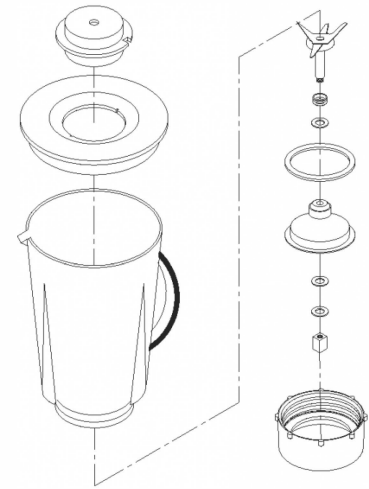
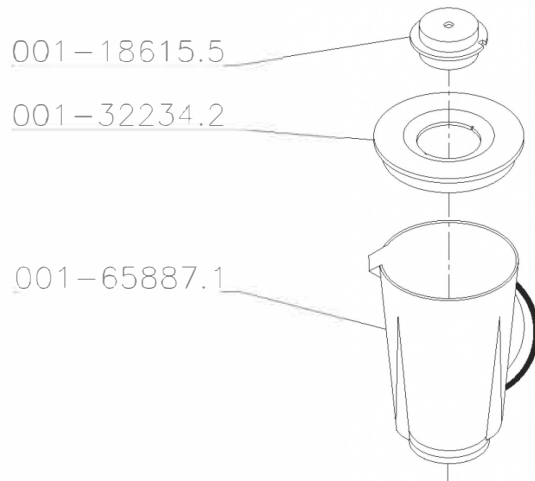
MIXEUR PROFESSIONNEL

Item

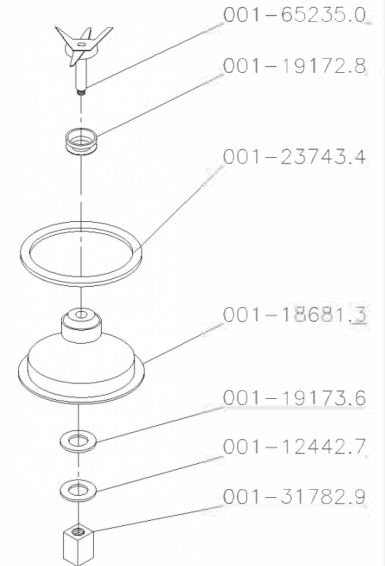
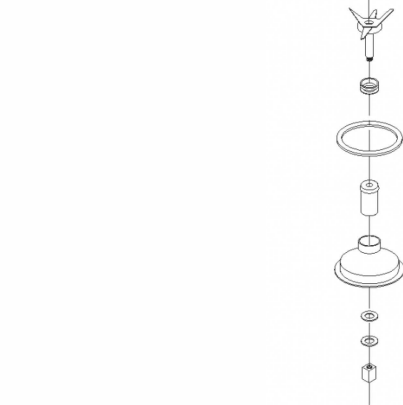
LI-2,0

Skyfood
Equipment LLC

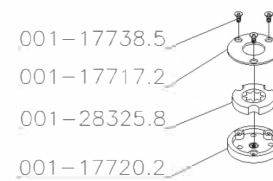
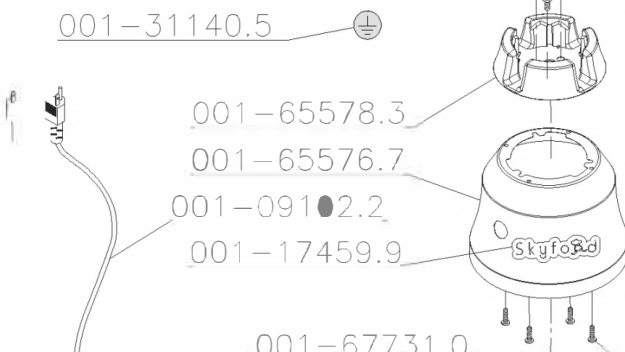
Date/Fecha/Date: 13/01/2020



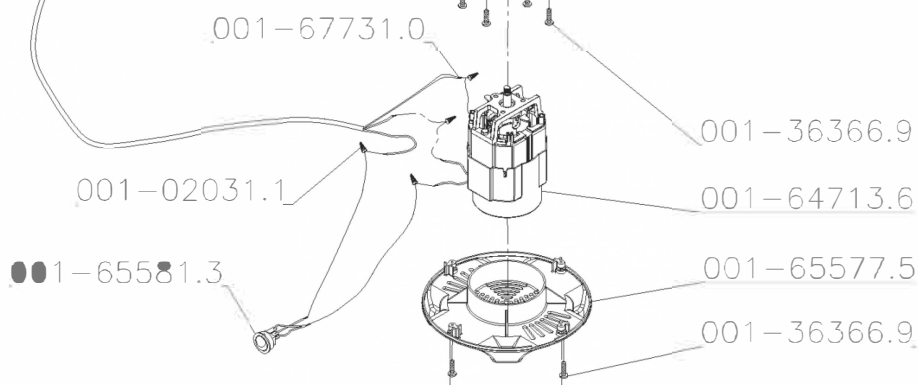
Complete Jar 001-66835.4



Complete Central Bearing 001-65234.2



Lower Coupling Set 001-17484.0



Version/Versión/Version: 10

Last Serial Number/Último N° de Serie/Dernier Numéro de Serie:

Cód.	Descrição	UM
001-020311	NYLON COVER CN-4472	By the each
001-055042	ATTENTION LABEL 110/220/380V	By the each
001-092835	V RING 11X7,5X4MM	By the each
001-175811	FEMALE TERMINAL WITH LOCK (FOR WIRE FROM 1 TO 2)	By the each
001-175820	TERMINAL COVER	By the each
001-224391	ON/OFF/ PULSE LABEL	By the each
001-318000	NUT M4 DIN 985 INOX	By the each
001-321141	ON/OFF SWITCH LDP 15A	By the each
001-010537	WASHER L 3/16 ZB	By the each
001-032832	TERM. PRE-INSUL.AN-2434	By the each
001-091030	CABLE 3X0,75MM	By the each
001-177172	COVER PLATE	By the each
001-160911	SCREW M4X16 ZA	By the each
001-177385	SCREW 2,9X6,5 DIN 7982 IN	By the each
001-244708	CUSHION	By the each
001-283258	UPPER COUPLING SET	By the each
001-309567	MOTOR DAMPER	By the each
001-363685	FEMALE TERMINAL 4,8X0,8	By the each
001-098205	ELECTRICAL CABLE 0,75MM2X50	By the each
001-191728	VRING 9,5X5,4X3,5MM	By the each
001-191736	FIBER WASHER 12X6,5X0,5MM	By the each
001-193585	FLEETWOOD LOGO 68MM	By the each
001-314625	BASE RIM LOCK	By the each
001-320242	DRAIN	By the each
001-331740	PFS B.3,5x9,5 DIN 7981 ZB	By the each

Cód.	Descrição	UM
001-331848	LOCK RIVET AD-423 STAINLESS STEEL	By the each
001-331856	SCREW B.3,5X19 DIN 7981 ZB	By the each
001-091952	ATTENTION RESTRICTIONS LABEL	By the each
001-093068	MOTOR LI/T 110VCV066430020.1	By the each
001-098329	MOTOR TAR 110V/50~60HZ WITH CABLE - LI-1,5-N	By the each
001-174840	LOWER KNIFE COUPLING SET - LI1.5	By the each
001-177202	INFERIOR COUPLING	By the each
001-186147	CUP LID LI	By the each
001-186155	OVER LID	By the each
001-186813	CENTRAL BEARING WITH BUSHING	By the each
001-191710	KNIFE LI/LT	By the each
001-200735	PRECAUTION LABEL LI/LT	By the each
001-237434	BEARING SEAL	By the each
001-264768	FIO 1,5x200mm VERDE/AMARELO	By the each
001-309761	MOTOR BEARER LI/LT/LV	By the each
001-311383	HOUSING	By the each
001-316148	CUP BASE	By the each
001-316156	MOTOR SUPPORT	By the each
001-316164	BASE RING LI/LT/LV	By the each
001-317829	UPPER COUPLING	By the each
001-331732	SCREW B.4,5X20 FOR PLASTIC FLANGE	By the each
001-334200	COMPLETE CENTRAL BEARING LI-1,5-N	By the each
001-337323	LI/LT/LV RUBBER FOOT	By the each
001-344427	UPPER FLANGE - MOTOR LI/LT	By the each
001-349151	SCREW 3,5X25 DIN 7981 ZB	By the each

Cód.	Descrição	UM
001-363650	SCREW M4X16 ZA TRI.PH	By the each
001-363669	SCREW B.3,5X10 ZB PLAST.C/P	By the each
001-378216	RUBBER FEET LI/LV/LT	By the each
001-322326	COMPLETE CUP LI-02	By the each
001-322334	STAINLEES STEEL CUP 2L W/HANDLE	By the each
001-011371	TERMINAL	By the each
001-360031	PFS M4x6 DIN 965 ZB (OBSOLETO)	By the each
001-421553	WHITE WIRE 1MM 2 X 350MM	By the each
001-506656	MANTENANCE/CLEANING LABEL	By the each
001-509000	LOGOTIPO SKYMSEN 68mm (POLICARBONATO)	By the each
001-484164	CORD EARTH-WIRE SET 1,5MM2X250MM	By the each
001-542393	LOGOTIPO SKYFOOD 68mm (POLICARBONATO)	By the each
001-647136	MOTOR 3076 LI1.5	By the each
001-696926	MOTOR 900W 127V 50/60HZ (LI/LT1,5/LI2)	By the each