


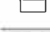

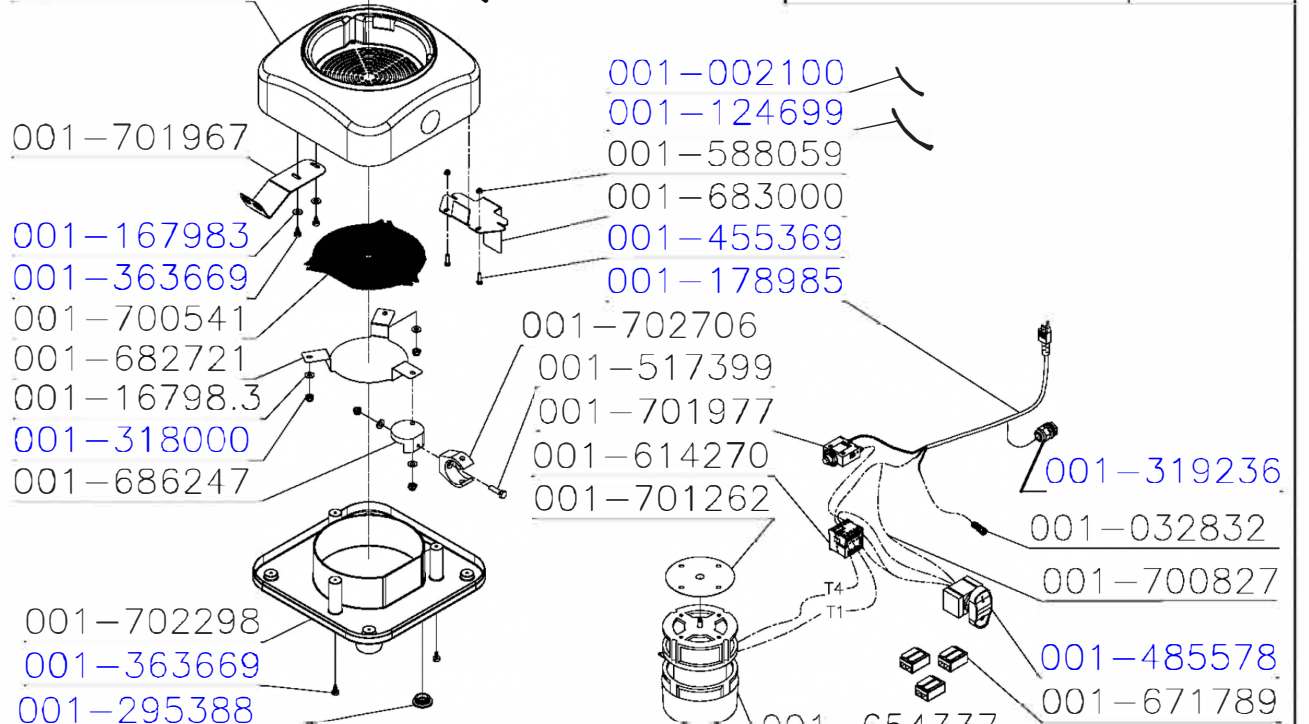
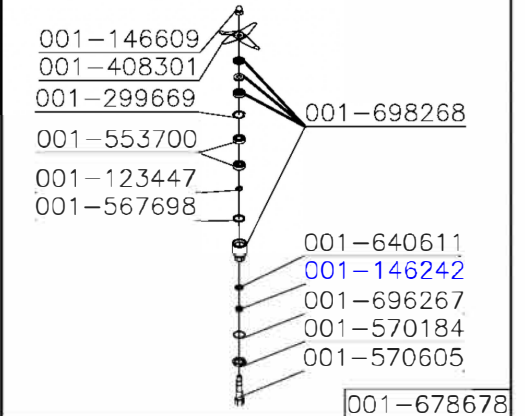
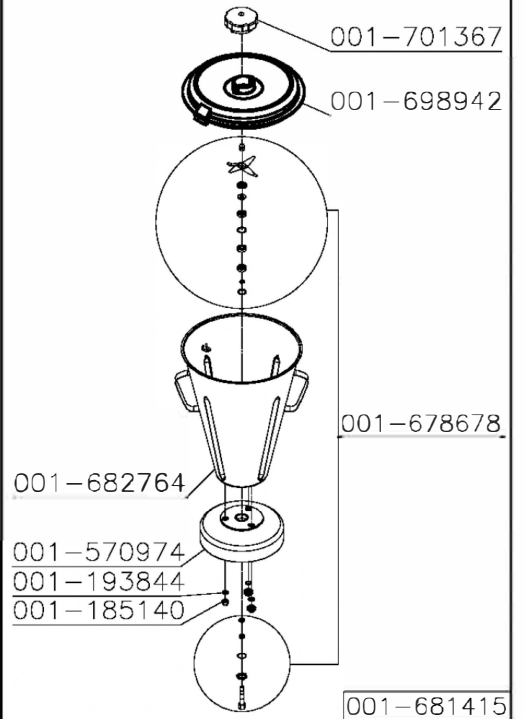
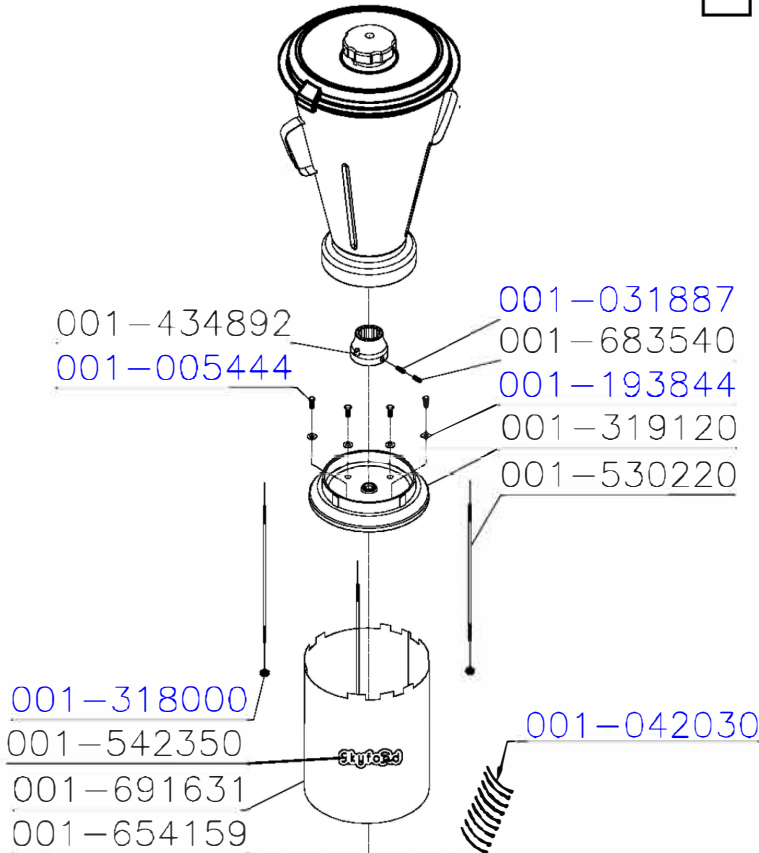


Denomination/Denominación/Dénomination	Item	 Date/Fecha/Date:08/11/2023
INDUSTRIAL BLENDER	LAR-6MBSE	
LICUADORA INDUSTRIAL		
MIXEUR INDUSTRIEL		

- 001-328324 
- 001-311405 
- 001-697900 
- 001-697313 



001-854557

Version/Versión/Version: 01	Last Serial Number/Último N° de Serie/Dernier Numéro de Serie:	*****
-----------------------------	--	-------

Cód.	Descrição	UM
001-319120	MOTOR BEARER FLANGE LAR-4-6-8-10	By the each
001-005444	SCREW 1/4X5/8	By the each
001-031887	ALLEN SCREW M6X8	By the each
001-042030	BRACER T-18R-SMALL	By the each
001-124699	CLAMP K22-LM(T-80I)	By the each
001-146242	VRING 16,5X10,5X5,5	By the each
001-318000	NUT M4 DIN 985 INOX	By the each
001-032832	TERM. PRE-INSUL.AN-2434	By the each
001-185140	NUT M6 DIN 1587	By the each
001-193844	WASHER 1/4X5/8X1,2MM STAINLESS STEEL	By the each
001-167983	WASHER L.A4,3	By the each
001-363669	SCREW B.3,5X10 ZB PLAST.C/P	By the each
001-178985	CABLE 3X1.0MM WITH PLUG	By the each
001-002100	CLAMP K22 (T-50R)	By the each
001-295388	RUBBER COVER	By the each
001-319236	CORD PRESS PG13,5 LCP13,5BL+ NUT WITH REDUCTOR	By the each
001-328324	INSTRUCTION MANUAL LABEL	By the each
001-333077	LABEL WARNING ENG/FRE	By the each
001-311405	EARTH-WIRE LABEL	By the each
001-299669	RING 28X1,2 DIN 472 FOSF.	By the each
001-327182	RETAINER 22501 DI12XDE.22XL.5	By the each
001-408301	BLADE SET (MB - SEAMLESS CUP)	By the each
001-455369	PFS M3x12 DIN 7985 INOX	By the each
001-434892	CENTRAL COUPLING - LAR 04 TO 10 LITERS	By the each
001-190586	FINISHING NUT M10X1,25RE LA.NI	By the each

Cód.	Descrição	UM
001-123447	RING 12X1 DIN 471	By the each
001-485578	ON / OFF SWITCH	By the each
001-517399	PFS M4x16 DIN 933 INOX	By the each
001-530220	ROD M4X245 WITH LIMITER 7MM	By the each
001-542350	SKYFOOD STICKER 120MM LAR-25LMB/PA7 PRO/CR-8L	By the each
001-570974	CUP FLANGE (BLACK)	By the each
001-514772	RING D. 27,6X1,3MM FOR TA-02	By the each
001-567590	CENTRAL UNIT	By the each
001-567698	SPACER WASHER 23.5X27.5X2MM	By the each
001-570184	SIXSIDED NUT LOW M24X1,5 STAINLESS STEEL	By the each
001-640611	LEANING RING	By the each
001-654159	UL CERTIFIED BASE	By the each
001-654337	MOTOR 0,5CV 60HZ 115V W	By the each
001-553700	BEARING 6001 DDU NSK/TK DOUBLE SEAL	By the each
001-570605	CENTRAL AXLE - LAR/LS-4	By the each
001-674184	ANEL RASPADOR(674184)	By the each
001-671789	CONECTOR EMENDA WAGO 2X0,25-4MM2	By the each
001-702706	MACHINED CAPACITOR SUPPORT	By the each
001-702298	UL CERTIFIED BASE CLOSURE	By the each
001-700827	CHICOTE ELETRICO COMPL.LAR-10MB 115V	By the each
001-701262	PROTECAO DO MOTOR(701262)	By the each
001-614270	MINI CONT.CWC09-01-30D13 110V 50/60Hz	By the each
001-701977	DISJUNTOR CERTIF. UL 9A 125/250Vac (A	By the each
001-683000	SUPORTE DA CONTATORA	By the each
001-588059	PCA M3 DIN 985 INOX	By the each

Cód.	Descrição	UM
001-686247	SUORTE DO CAPACITOR(686247)	By the each
001-682721	ANTEPARO DO GABINETE	By the each
001-700541	TELA DE PROTECAO(700541)	By the each
001-701967	SUORTE DO DISJUNTOR(701967)	By the each
001-691631	CS GABINETE(691631)	By the each
001-683540	PFS M6x6 DIN 551 ZB	By the each
001-678678	COMPLETE CUTTING UNIT 4-10 LITERS NEW MODEL	By the each
001-701367	TAPA MENOR MB CENTRAL CERTIFICADA	By the each
001-698268	ASSEMBLY + RINGS (SCRAPPER/SEALING) + R	By the each
001-697900	ETIQUETA TAMPA LIQ. EUA	By the each
001-697313	ETIQ.E/I COPO MB FOOD BLENDER (LAR-6M	By the each
001-696267	ANEL ORING 30,31X25,07X2,62MM	By the each