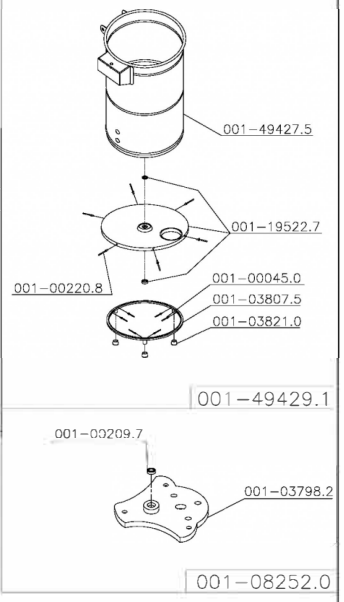
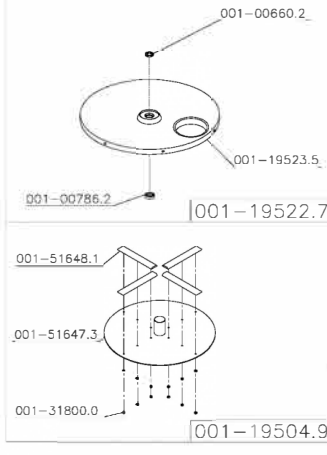
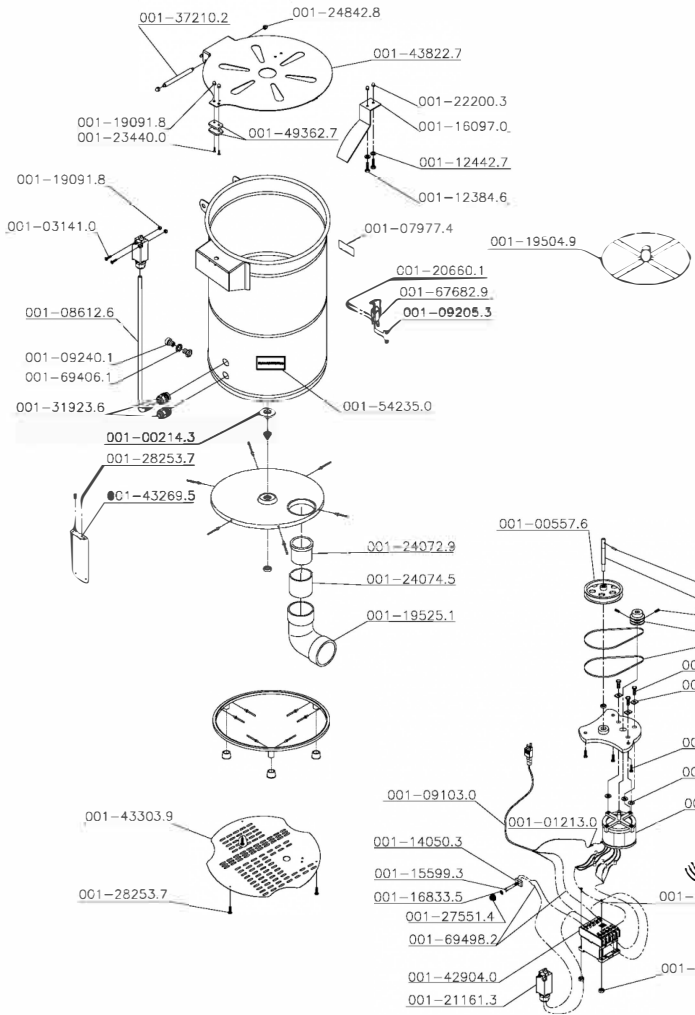


Denomination/Denominación/Dénomination	Item	Skyfo8d Mecanic
GARLIC PEELERS	DAL-6	
PELADORA DE AJO		
EPLUCHEUSE POUR AIL		Date/Fecha/Daten 7/07/2015



Cód.	Descrição	UM
001-184500	CONTACTOR 110V 50/60HZ - PA-7 / PAIE	By the each
001-167231	FLEETWOOD LABEL 120MM	By the each
001-168343	TIMER KNOB	By the each
001-001007	WASHER L 1/4X 1,6 ZB	By the each
001-002186	WIRE PASSER MOLDE 0922231	By the each
001-002208	PRESSION RIVET AD-440-S	By the each
001-012130	INSULATING TERM. EF-4228	By the each
001-055042	ATTENTION LABEL 110/220/380V	By the each
001-200816	LABEL PER US DEPT OF LABOR	By the each
001-254347	SAFETY INSTRUCTIONS LABEL	By the each
001-318000	NUT M4 DIN 985 INOX	By the each
001-091030	CABLE 3X0,75MM	By the each
001-222003	NUT M6 DIN 1587 STAINLESS	By the each
001-000450	PRESSION RIVET AD-423-S	By the each
001-124427	WASHER L.A6,4 125 INOX	By the each
001-000337	SCREW 1/4X1/4	By the each
001-000345	SCREW ASC UNC1/4	By the each
001-002100	CLAMP K22 (T-50R)	By the each
001-092053	NUT M4 DIN 934	By the each
001-290360	SCREW M4X35 DIN 965 STAINLESS	By the each
001-000302	SIX SIDED SCREW UNC1/4	By the each
001-002097	BALL BEARING 6202	By the each
001-002143	RUBBER RETAINER 5206	By the each
001-003069	ELASTIC PIN 6X40	By the each
001-004022	DRIVING PULLEY	By the each

Cód.	Descrição	UM
001-005576	MOVED PULLEY - DAL-06	By the each
001-005770	BELT 1160 - DB-10	By the each
001-006602	RETAINER 00726BR	By the each
001-007862	BALL BEARING 6203 - DB-10	By the each
001-037982	MOTOR SUPPORT DB-06	By the each
001-038075	PEELER BASE DB-06	By the each
001-038083	CENTRAL SHAFT - DAL	By the each
001-038210	PONT EXT TED 7/8	By the each
001-038245	PROTECTION SHEET DB-06	By the each
001-046264	REDUCTION BUSH	By the each
001-046795	SCREW 6X20	By the each
001-082520	COMPLETE MOTOR SUPPORT DB-06	By the each
001-092401	NIPLE SET/ REDUCTION	By the each
001-123846	SCREW M6X12 DIN 933 STAINLESS STEEL	By the each
001-140503	TIMER FOR DB-10	By the each
001-150932	WASHER 2,78X7X20X25MM	By the each
001-160962	DAL-06 LID	By the each
001-160970	MOVEMENT SHEET	By the each
001-168335	TIMER LABEL	By the each
001-169714	SPACER WASHER	By the each
001-169730	SCREW B.3,5 X 19 DIN 7981	By the each
001-195049	*METALLIC DISC WITH RUBBER BUMPS	By the each
001-195227	COMPLETE BOTTOM DAL-06	By the each
001-195235	BOTTOM DAL-06 (W/MARTELAD)	By the each
001-195251	ELBOW 90 DEGREE DIAM 75MM	By the each

Cód.	Descrição	UM
001-238007	MOTOR 0,25HP - DAL-06/DB-06	By the each
001-240729	COUPLING PIPE DIAM 75MM	By the each
001-240745	COUPLING EXTENSOR 75MM	By the each
001-287881	MOTOR 0,25CV 60HZ	By the each
001-290521	COMPLETE HOUSING	By the each
001-290530	HOUSING DAL-06	By the each
001-190918	NUT M4 DIN 1587	By the each
001-234400	SCREW M4X16	By the each
001-319236	CORD PRESS PG13,5 LCP13,5BL+ NUT WITH REDUCTOR	By the each
001-206601	SCREW M4X7 DIN 963 S/S	By the each
001-248428	WASHER M8 DIN 1587	By the each
001-282537	SCREW M4X8 DIN 933 STAINLESS STEEL	By the each
001-170160	SCREW FOR RUBBER FIN	By the each
001-275514	BUTTON	By the each
001-000477	LOGO SKYMSEN 120MM LAR-25/PA7 PRO/CR8L	By the each
001-405876	WASHER.L.A21 DIN 125 STAINLESS STEEL	
001-195057	RUBBER FIN	By the each
001-195197	COMPLETE DISC DAL-06	By the each
001-429040	CONT.CWC012.10 110V 50/60HZ	By the each
001-086126	CORD 3X1MM2X2000MM	By the each
001-372102	JOINT SHAFT	By the each
001-191906	CLOSURE FH/E9 (RK/B1) STAINLESS	By the each
001-211613	SAFETY SWITCH LE 20 BP	By the each
001-493627	MICRO ACTUATOR	By the each
001-494275	DAL-06 HOUSING SET	By the each

Cód.	Descrição	UM
001-494291	COMPLETE HOUSING DAL-06	By the each
001-031410	SCREW M4X25 DIN 7985 ZB	By the each
001-506656	MANTENANCE/CLEANING LABEL	By the each
001-433039	BOTTOM CLOSURE SHEET DB-06	By the each
001-432695	ELECTRONIC BOARD SUPPORT	By the each
001-438227	DAL-06 LID	By the each
004-MCI-V2-1	BACK COVER	By the each
004-MCI-V2-2	DRAINAGE CHANNEL	By the each
004-MCI-V2-3	PRESSING PLATE	By the each
004-MCI-V2-4	UPPER PROTECTING COVER	By the each
004-MCI-V2-5	AUXILIARY ROLLER II	By the each
004-MCI-V2-6	BEARING COVER II	By the each
004-MCI-V2-7	LEFT SUPPORTING BLOCK	By the each
004-MCI-V2-8	BEARING 203	By the each
004-MCI-V2-9	BEARING COVER I	By the each
004-MCI-V2-10	GEAR Z=41	By the each
004-MCI-V2-11	WASHER	By the each
004-MCI-V2-12	GEAR Z=35	By the each
004-MCI-V2-13	BEARING 304	By the each
004-MCI-V2-14	BEARING COVER I	By the each
004-MCI-V2-15	GEAR Z=35	By the each
004-MCI-V2-16	LEFT PROTECTING COVER	By the each
004-MCI-V2-17	TOP COVER	By the each
004-MCI-V2-18	GEAR Z=41	By the each
004-MCI-V2-19	BEARING COVER I	By the each

Cód.	Descrição	UM
004-MCI-V2-20	BEARING 304	By the each
004-MCI-V2-21	MACHINE FRAME	By the each
004-MCI-V2-23	BEARING COVER II	By the each
004-MCI-V2-24	BEARING COVER II	By the each
004-MCI-V2-25	AUXILIARY ROLLER I	By the each
004-MCI-V2-26	MAIN PRESSING ROLLER	By the each
004-MCI-V2-27	BEARING COVER II	By the each
004-MCI-V2-28	BEARING COVER II	By the each
004-MCI-V2-29	RIGHT SUPPORTING BLOCK	By the each
004-MCI-V2-30	BEARING 180304G	By the each
004-MCI-V2-31	BEARING COVER I	By the each
004-MCI-V2-32	GEAR Z=72D24	By the each
004-MCI-V2-33	RIGHT PROTECTING COVER	By the each
004-MCI-V2-34	GEAR Z=18	By the each
004-MCI-V2-35	DECELERATING SHAFT I	By the each
004-MCI-V2-36	BEARING 203	By the each
004-MCI-V2-37	PLUG	By the each
004-MCI-V2-38	BEARING 203	By the each
004-MCI-V2-39	BEARING 203	By the each
004-MCI-V2-40	BEARING SEAT I	By the each
004-MCI-V2-42	DECELARATING SHAFT II	By the each
004-MCI-V2-41	BEARING 180204G	By the each
004-MCI-V2-43	GEAR Z=18	By the each
004-MCI-V2-45	GEAR 180203	By the each
004-MCI-V2-46	BEARING SEAT	By the each

Cód.	Descrição	UM
004-MCI-V2-47	BIG BELT PULLEY	By the each
004-MCI-V2-48	BELT A850	By the each
004-MCI-V2-49	SMALL BELT PULLEY	By the each
004-MCI-V2-50	SEAT	By the each
004-MCI-V2-51	MOTOR 220V 550W	By the each
004-MCI-V2-52	MOTOR SEAT	By the each
004-MCI-V2-53	FEED PLATE	By the each
004-MCI-V2-54	FILTER TRAY	By the each
004-MCI-V2-55	SUPPORTING RACK	By the each
004-MCI-V2-56	JUICE TRAY	By the each
004-MCI-V2-57	BEARING COVER II	By the each
004-MCI-V2-58	SHAFT PLUG CAP	By the each
004-MCI-V2-59	BEARING 180203	By the each
004-MCI-V2-22	POWER SWITCH	By the each
004-MCI-V2-44	GEAR Z=72 D18	By the each
001-516473	DISC SET DAL06	By the each
001-516481	RUBBER FIN FOR DAL-06	By the each
001-542350	SKYFOOD STICKER 120MM LAR-25LMB/PA7 PRO/CR-8L	By the each