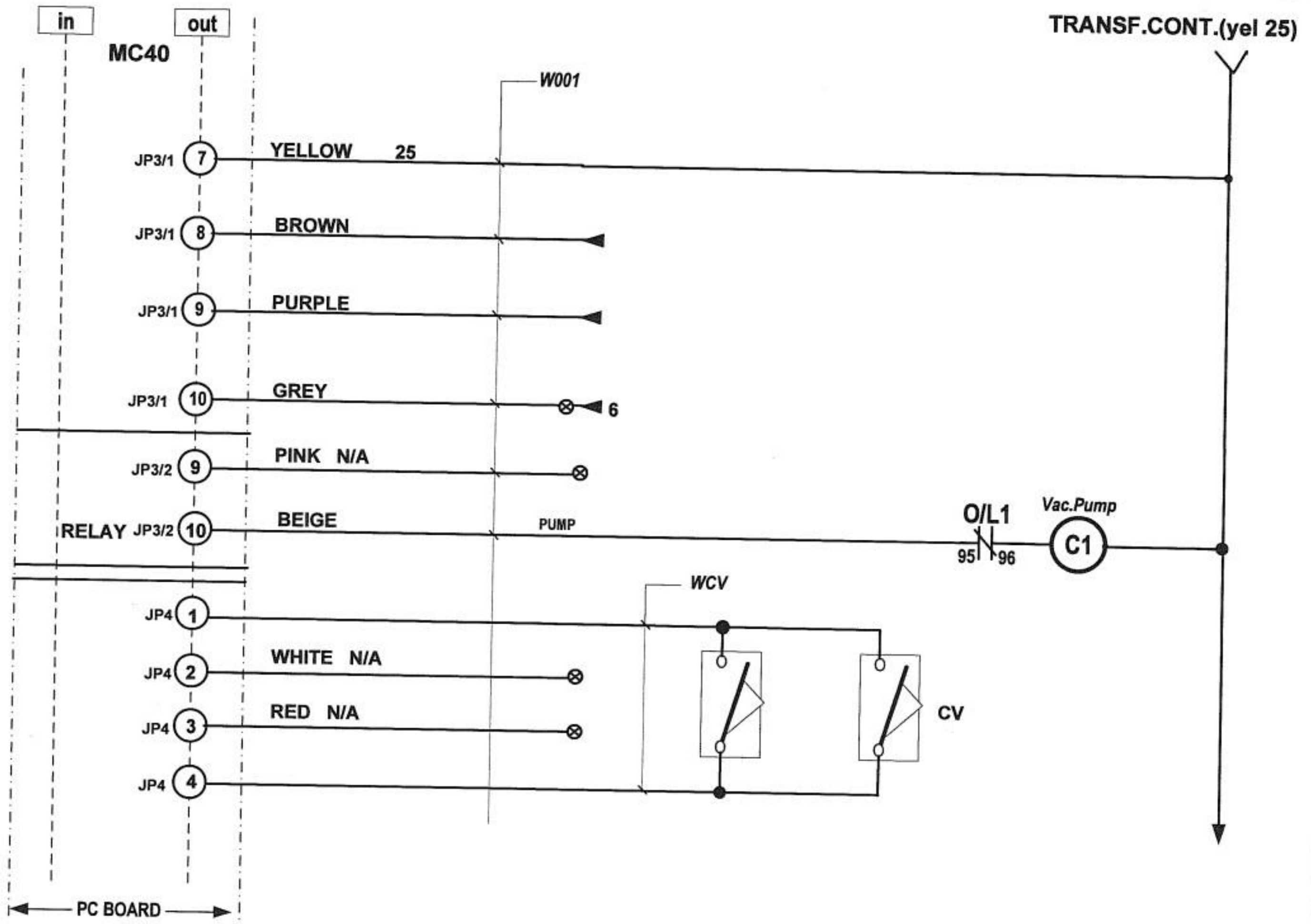


PC BOARD



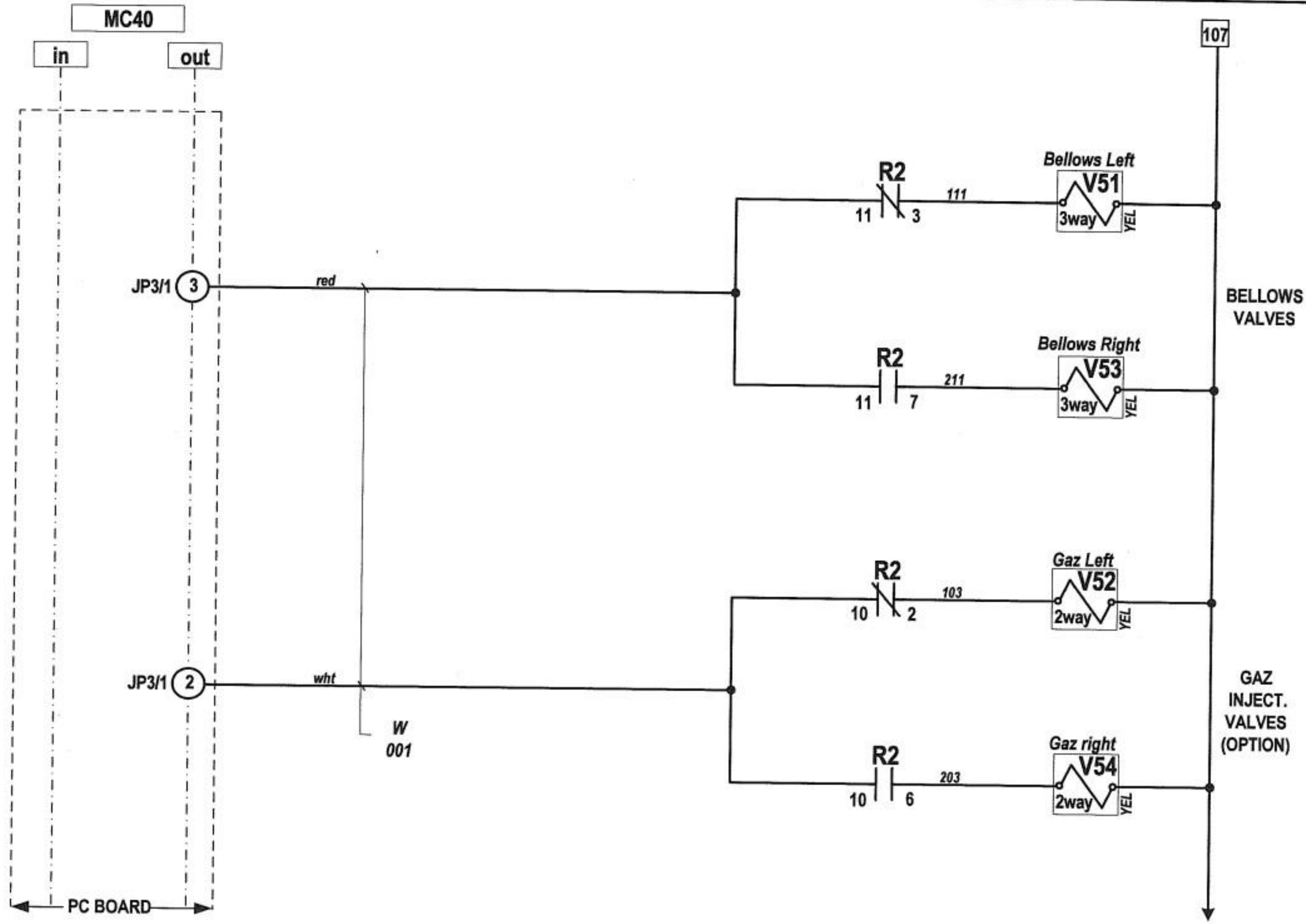
RC filters must be connected on each AC coil (not shown on diagram)

category	VACUUM PACK	model	650A	volt.	ALL				SIPROMAC St-Germain de Grantham QUEBEC, CANADA
system				circuit	year	month	day	block	
usual fonctions					11	10	18		
options					concept	draw	app		
					PP	PP	DL		
								006-1537	PAGE 5 de 5



RC filters must be connected on each AC coil (not shown on diagram)

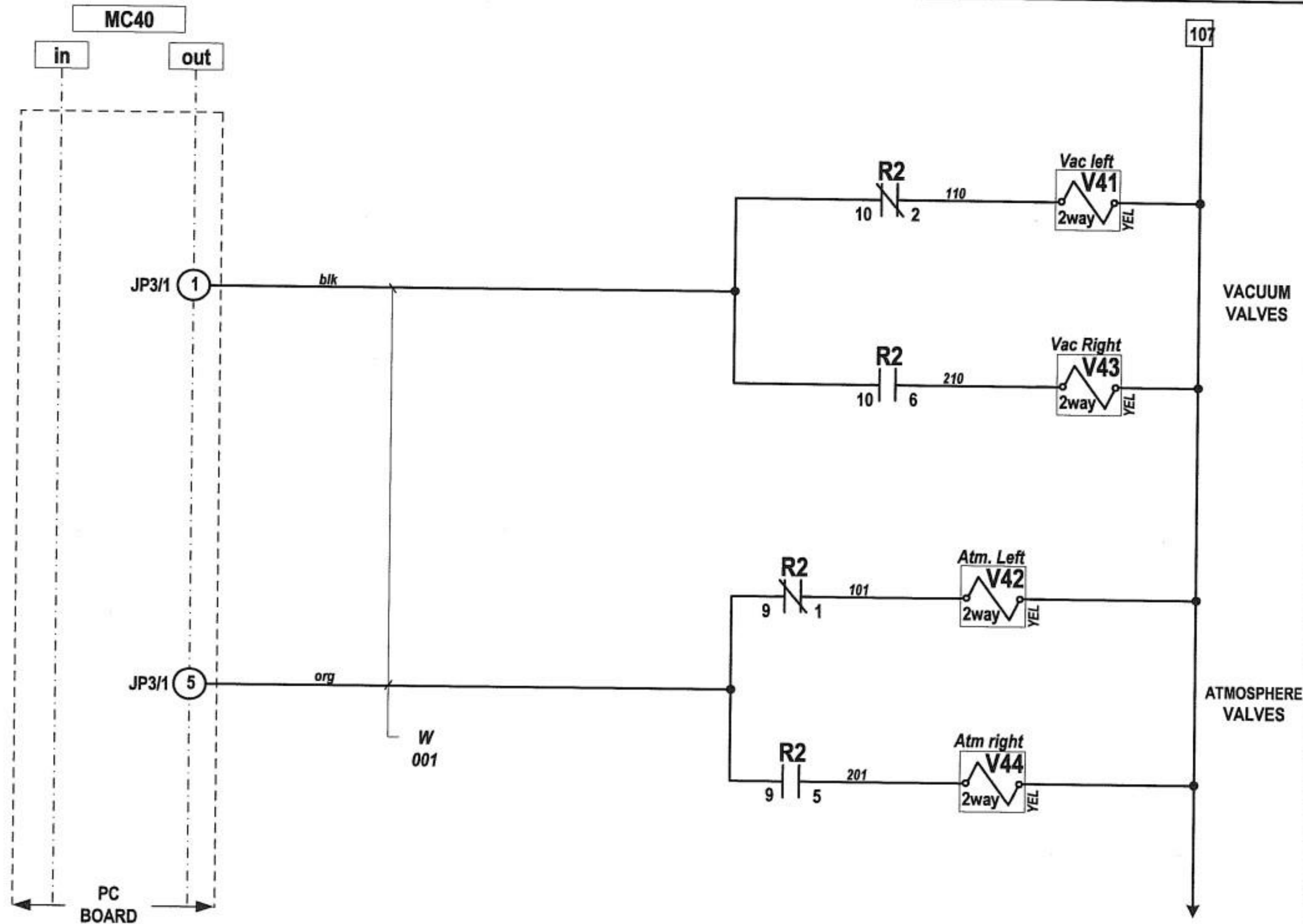
category	VACUUM PACK		model	650A		volt.	ALL				SIPROMAC St-Germain de Grantham QUEBEC, CANADA
system						circuit	year	month	day	block	
usual fonctions							11	10	18		
options						concept	draw	app	006-1537 PAGE 4 de 5 5		



- The left or right sides are based on operator position facing the control panel
 - RC filters must be connected on each coil AC (not shown on diagram)



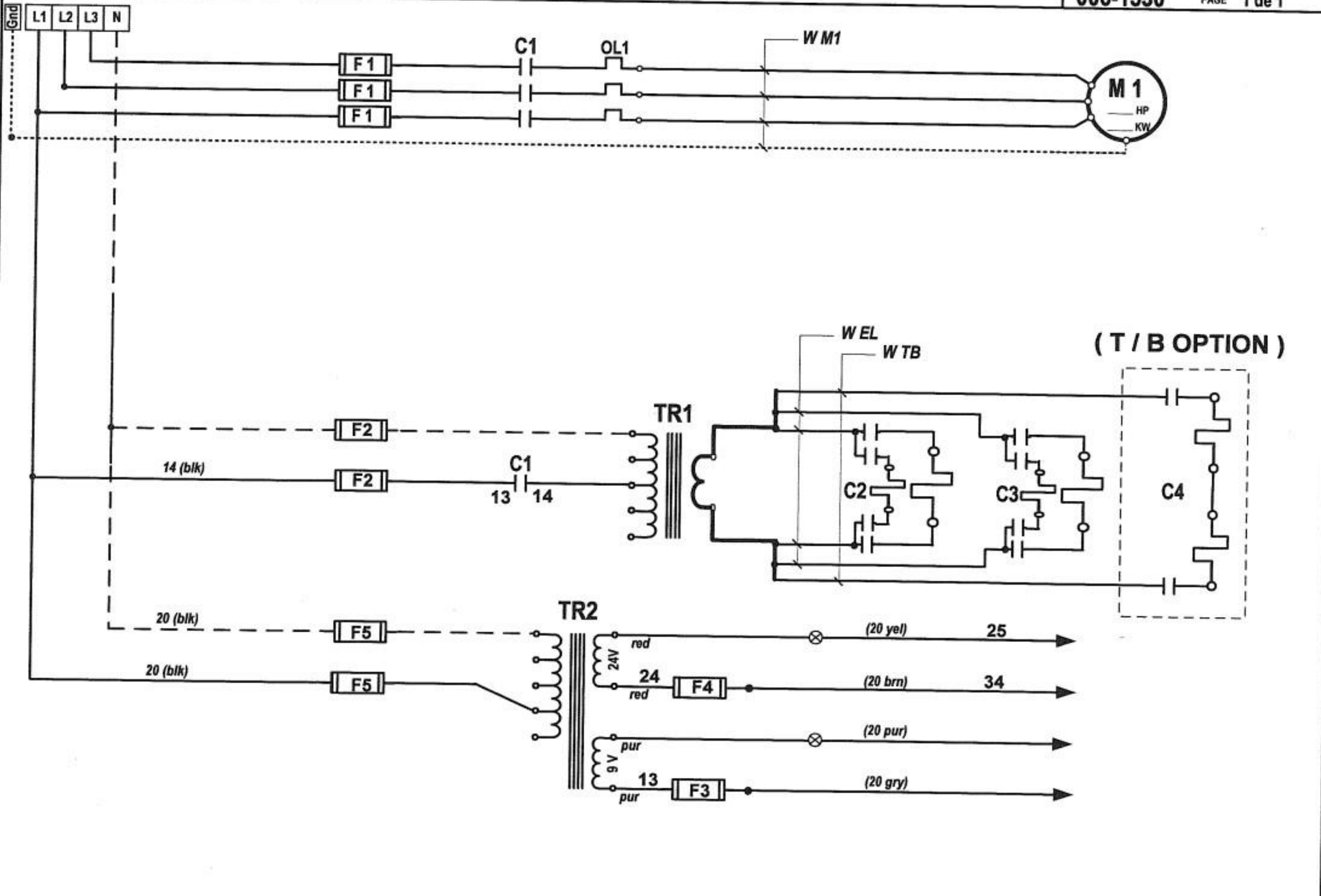
category	VACUUM PACK		model	650A		volt.	ALL				SIPROMAC St-Germain de Grantham QUEBEC, CANADA
system						circuit	year	month	day	block	
usual fonctions							11	10	18	5	
options						concept	draw	app	006-1537 PAGE 3 de 5		
							PP	PP	DL		



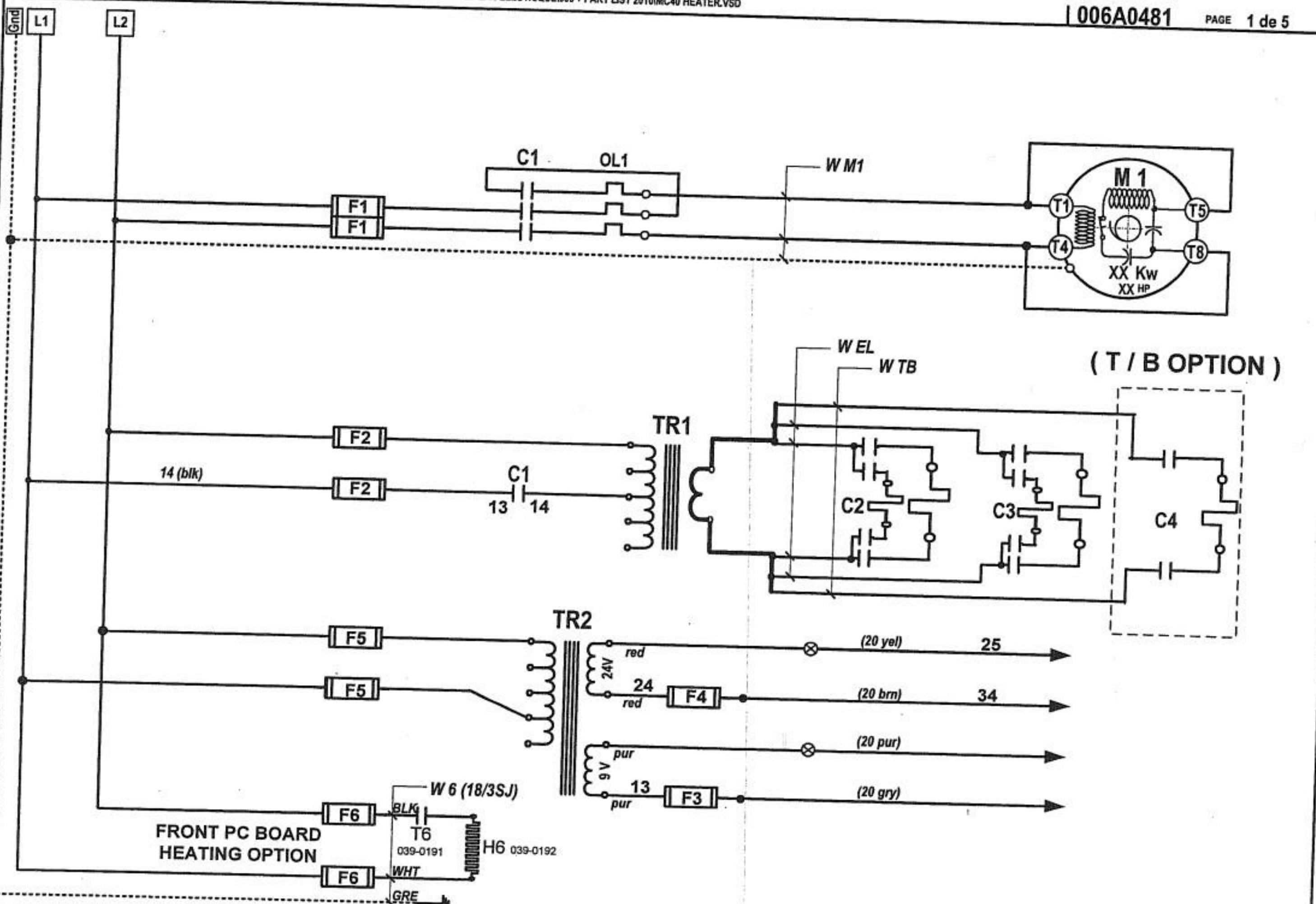
- The left or right sides are based on operator position facing the control panel
 - RC filters must be connected on each coil AC (not shown on diagram)



category	VACUUM PACK		model	650A		volt.	ALL				SIPROMAC St-Germain de Grantham QUEBEC, CANADA
system						circuit	year	month	day	block	
usual fonctions							11	10	18	4	
options							concept	draw	app	006-1537 PAGE 2 de 5	
							PP	PP	DL		



category	VACUUM PACK	model	650A	volt.	3Ph 60Hz				SIPROMAC St-Germain de Grantham QUEBEC, CANADA
system	POWER			circuit	year	month	day	block	
usual functions	MC-40			power	05	01	18		
options					concept	draw	app		
					PP	PP	DL	006-1530	PAGE 1 de 1

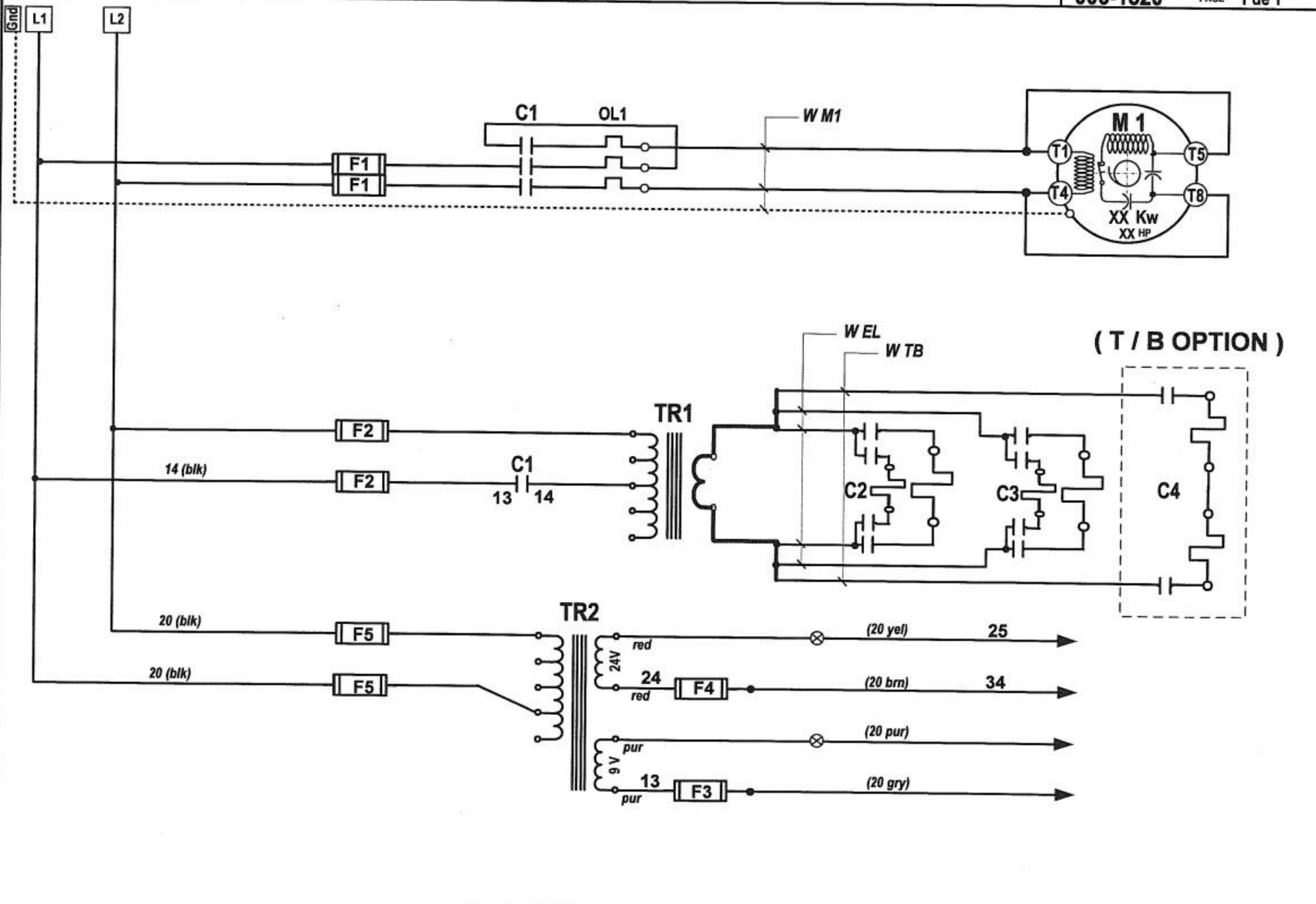


(T / B OPTION)

FRONT PC BOARD
HEATING OPTION

category	VACUUM PACK		model	voit.					
system					circuit	year	month	day	block
usual functions						10	07	15	
options					concept	draw	app	006A0481 PAGE 1 de 5	
					XX	XX	XX		

SIPROMAC
St-Germain de Grantham
QUEBEC, CANADA



category	VACUUM PACK	model	650A	volt.	1Ph 60Hz				SIPROMAC St-Germain de Grantham QUEBEC, CANADA
system	POWER			circuit	year	month	day	block	
usual functions	MC-40			power	05	01	18		
options					concept	draw	app		006-1520 PAGE 1 de 1
					PP	PP	DL		