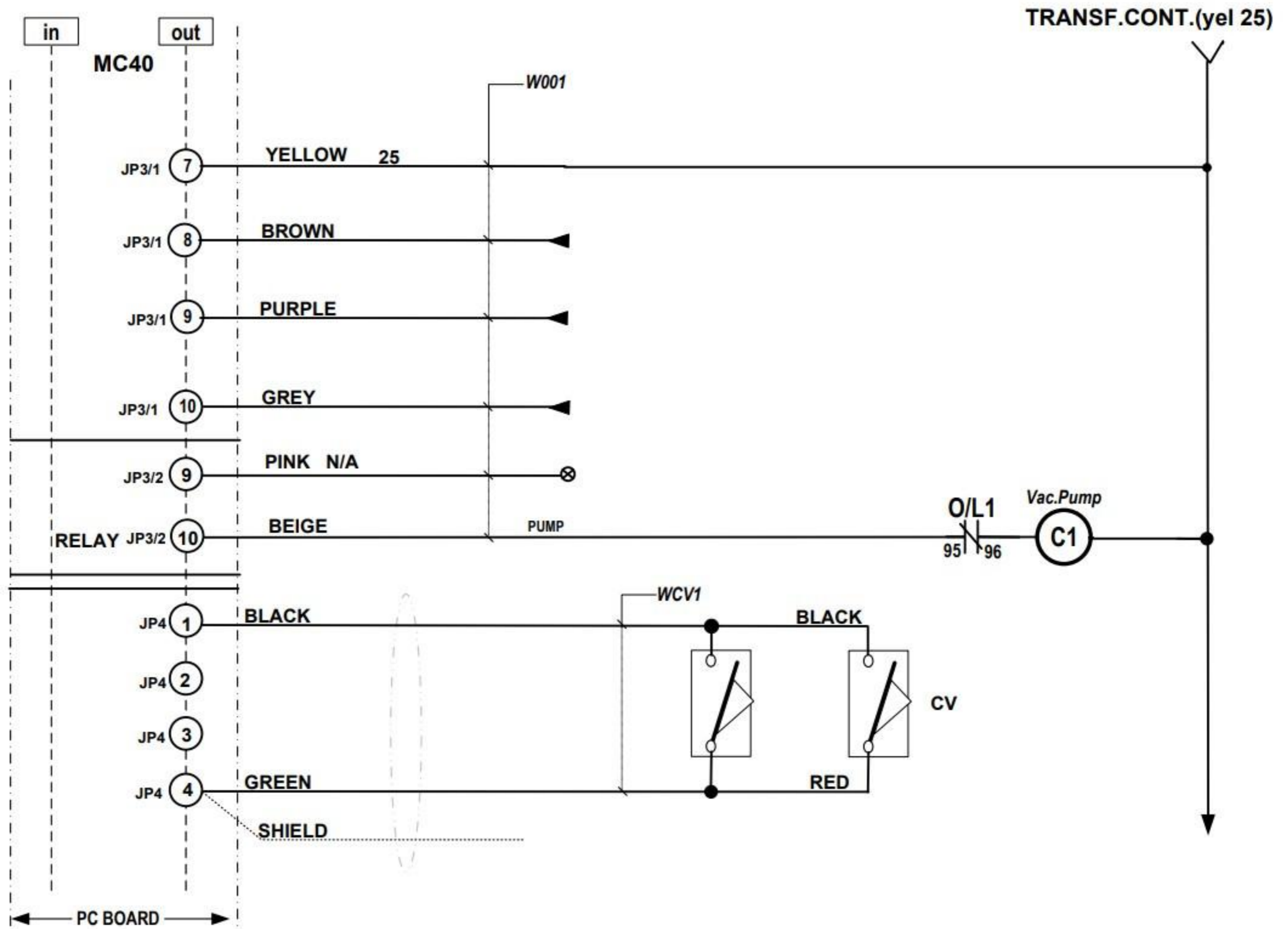


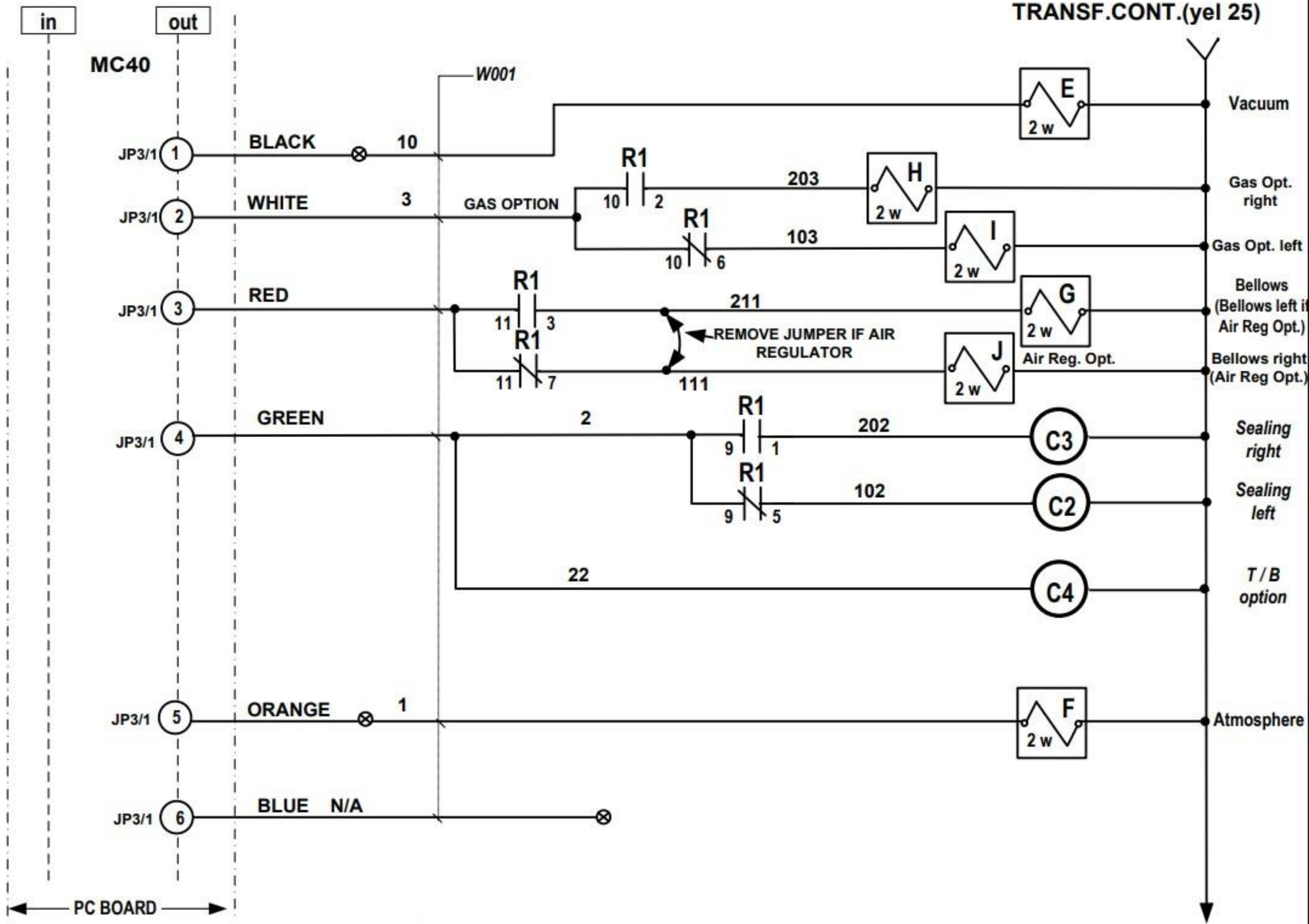
RC filters must be connected on each AC coil (not shown on diagram)

category	VACUUM PACK	model	620A	volt.	ALL				SIPROMAC St-Germain de Grantham QUEBEC ,CANADA
system				circuit	year	month	day	block	
usual fonctions					10	08	18		006-1437 PAGE 3 de 3
options					concept	draw	app		
					XX	XX	XX		



RC filters must be connected on each AC coil (not shown on diagram)

category	VACUUM PACK	model	620A	volt.	ALL				SIPROMAC St-Germain de Grantham QUEBEC, CANADA
system				circuit	year	month	day	block	
usual functions					10	08	18		
options					concept	draw	app		
					XX	XX	XX	006-1437	PAGE 2 de 3

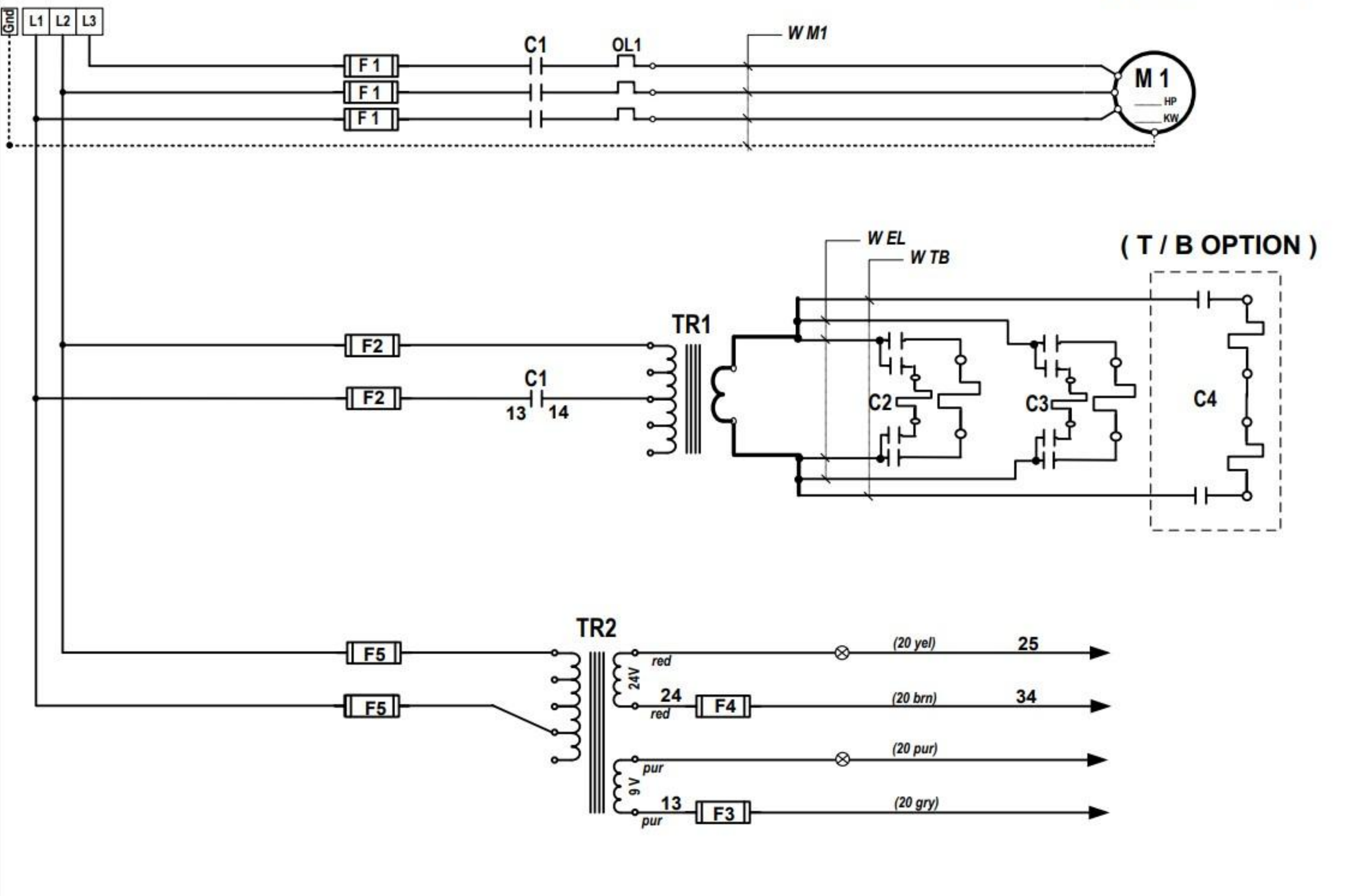


PC BOARD

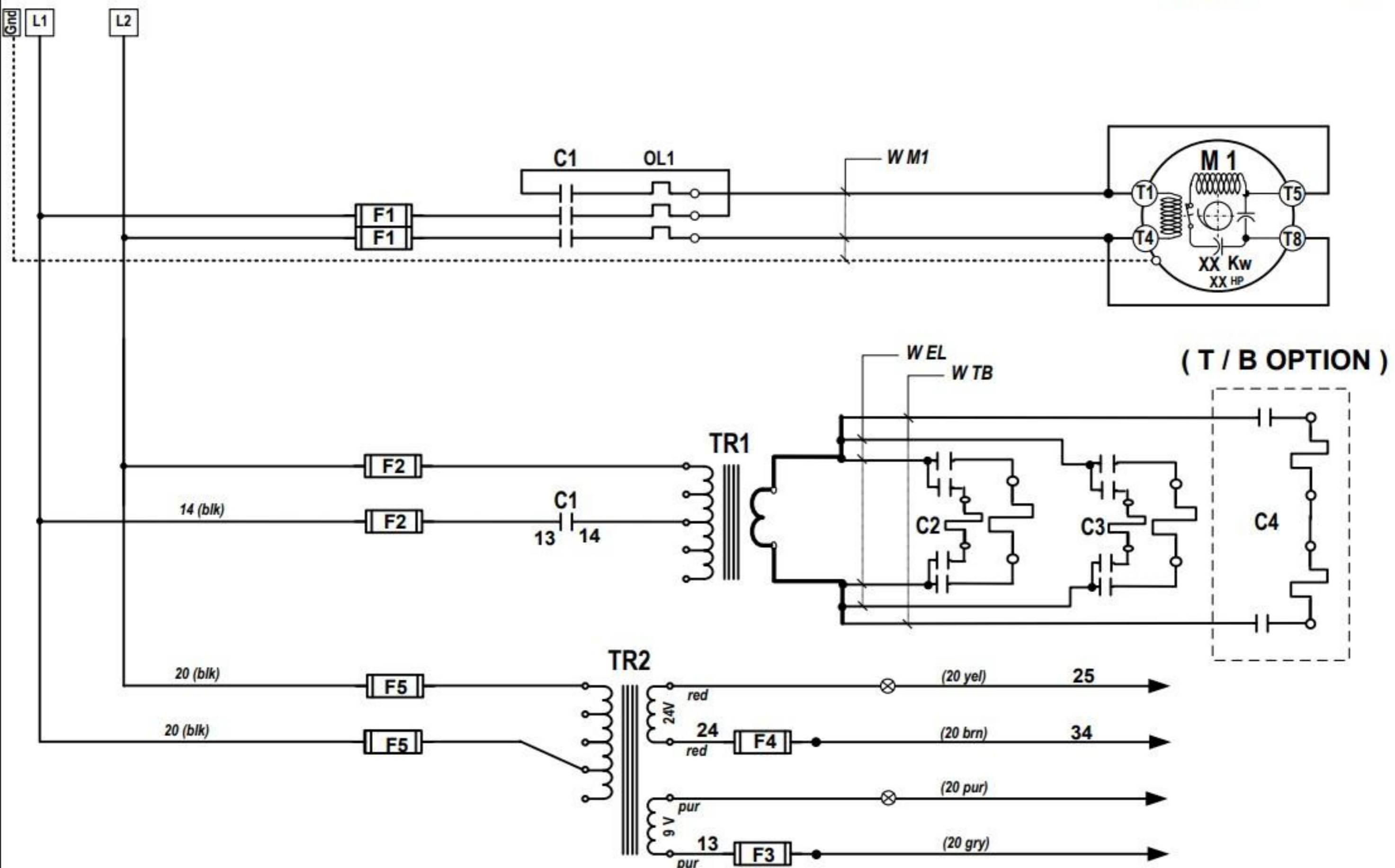


RC filters must be connected on each AC coil (not shown on diagram)

category	VACUUM PACK		model	620A		volt.	ALL				SIPROMAC St-Germain de Grantham QUEBEC, CANADA
system						circuit	year	month	day	block	
usual fonctions							10	08	18		
options							concept	draw	app	006-1437	
							XX	XX	XX	PAGE 1 de 3	



category	VACUUM PACK	model	620A	volt.	3Ph 60Hz				SIPROMAC St-Germain de Grantham QUEBEC, CANADA
system				circuit	year	month	day	block	
usual functions					10	08	18		
options					concept	draw	app	006-1430 PAGE 1 de 1	
					XX	XX	XX		



category	VACUUM PACK	model	620A	volt.	1Ph 60Hz				SIPROMAC St-Germain de Grantham QUEBEC, CANADA
system				circuit	year	month	day	block	
usual functions					05	01	18		
options					concept	draw	app	006-1420	PAGE 1 de 1
					PP	PP	DL		