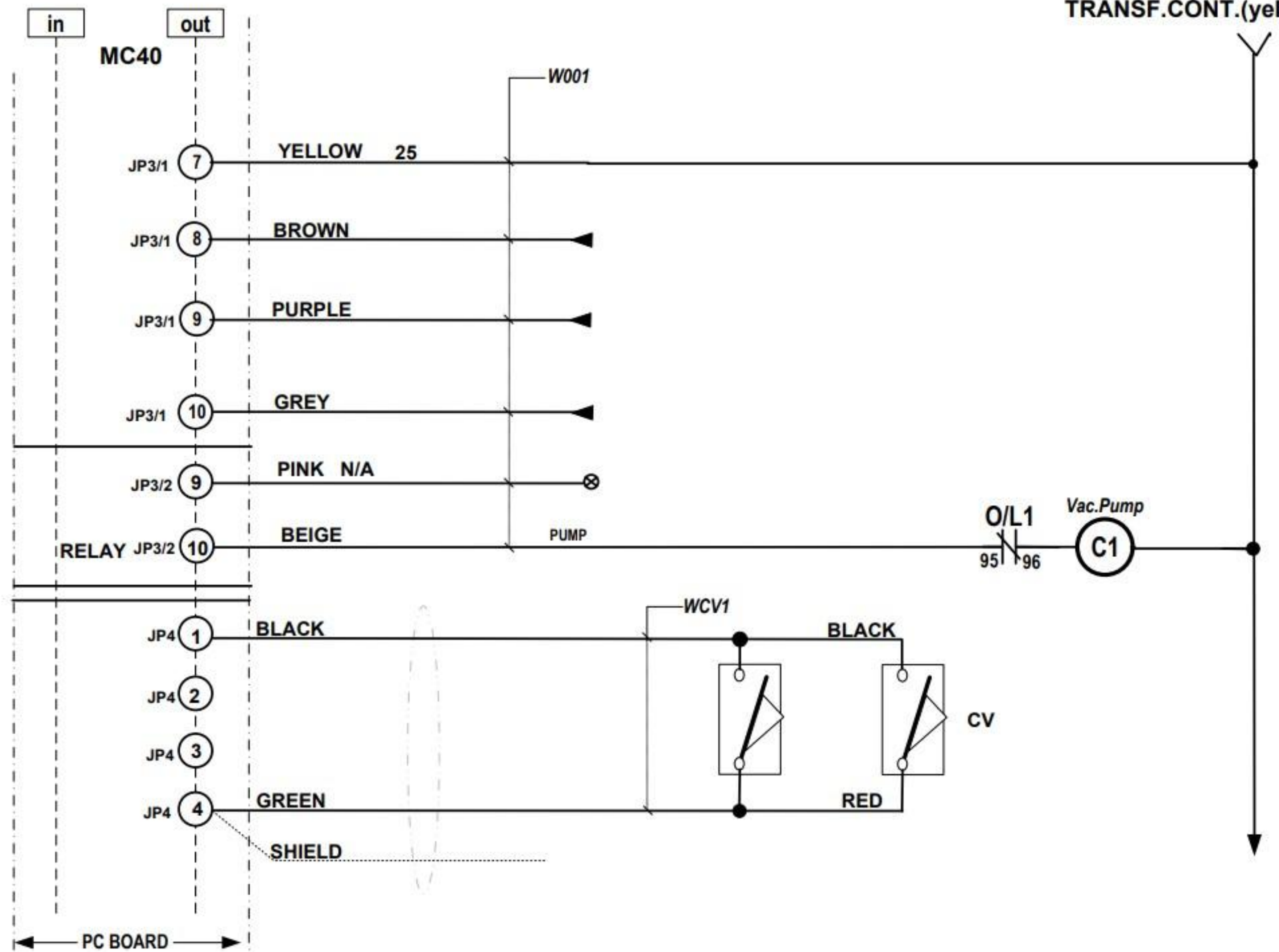


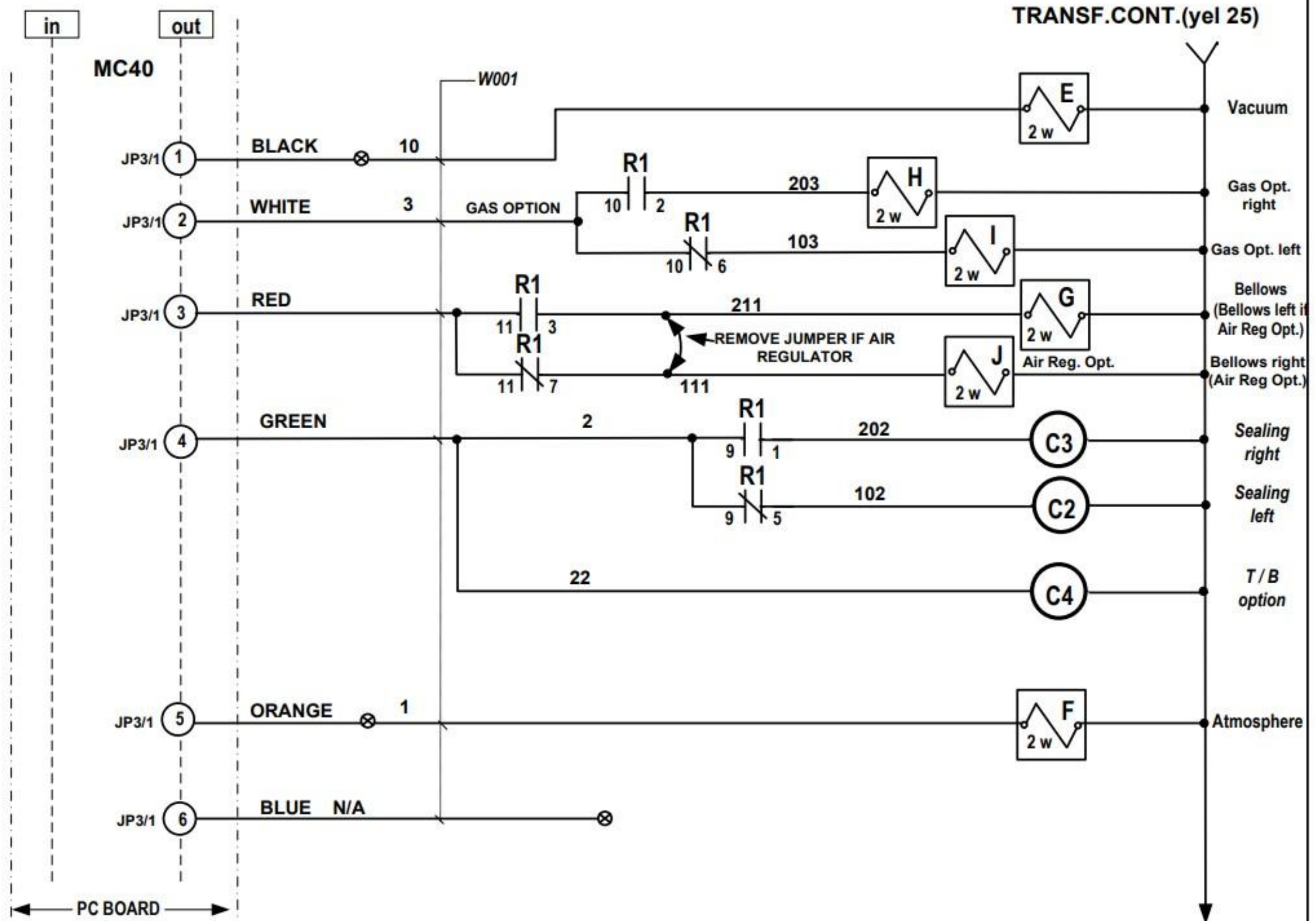
*RC filters must be connected on each AC coil (not shown on diagram)*

category	<b>VACUUM PACK</b>	model	<b>600A &amp; 620A</b>	volt.	<b>ALL</b>				<b>SIPROMAC</b> St-Germain de Grantham QUEBEC, CANADA
system		circuit		year	month	day	block		
usual functions				<b>10</b>	<b>08</b>	<b>18</b>			
options				concept	draw	app		<b>006-1437</b> PAGE 3 de 3	
				<b>XX</b>	<b>XX</b>	<b>XX</b>			



RC filters must be connected on each AC coil (not shown on diagram)

category	<b>VACUUM PACK</b>	model	<b>600A &amp; 620A</b>	volt.	<b>ALL</b>				<b>SIPROMAC</b> St-Germain de Grantham QUEBEC, CANADA
system				circuit	year	month	day	block	
usual functions					<b>10</b>	<b>08</b>	<b>18</b>		
options					concept	draw	app		
					<b>XX</b>	<b>XX</b>	<b>XX</b>	<b>006-1437</b> PAGE 2 de 3	

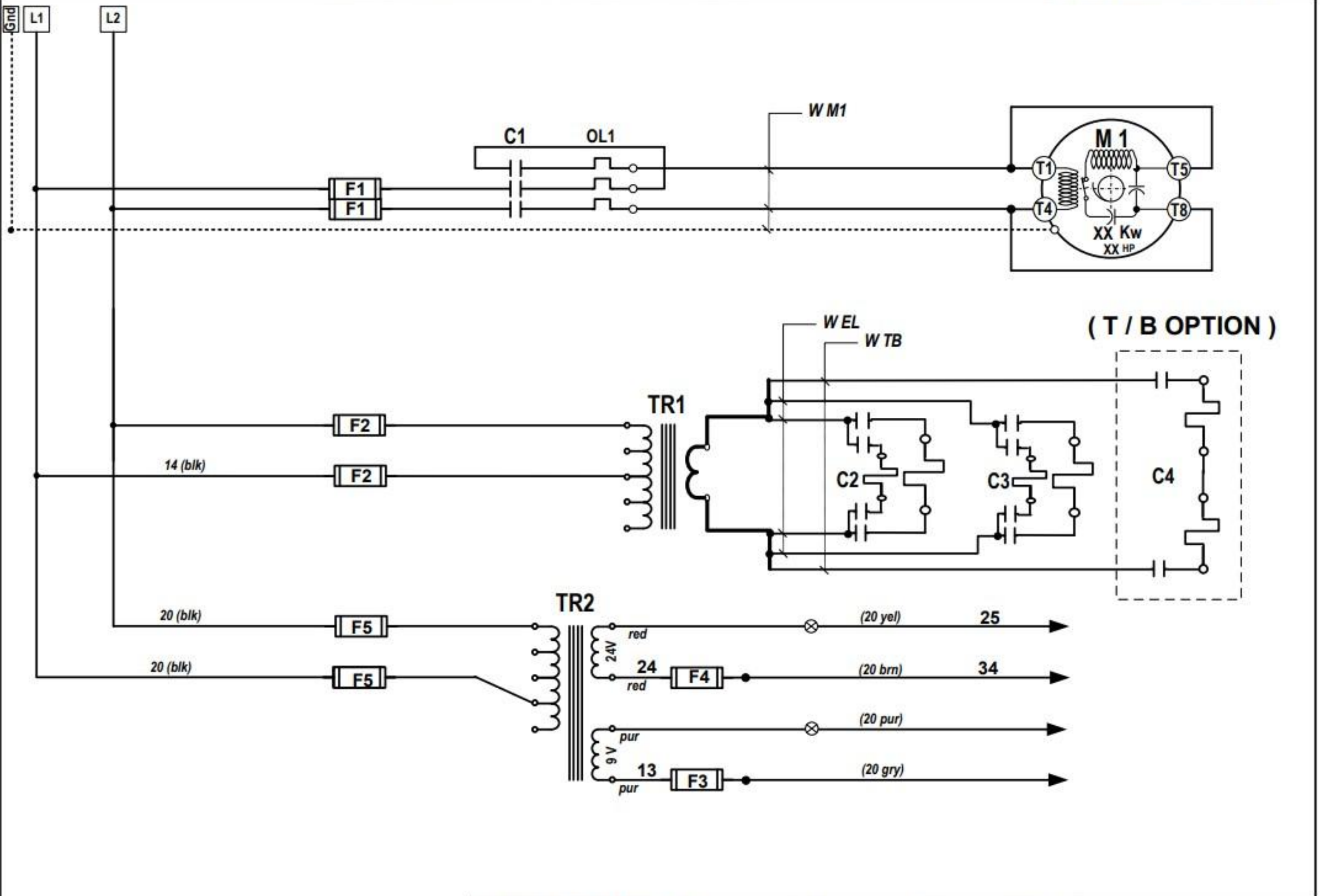


PC BOARD

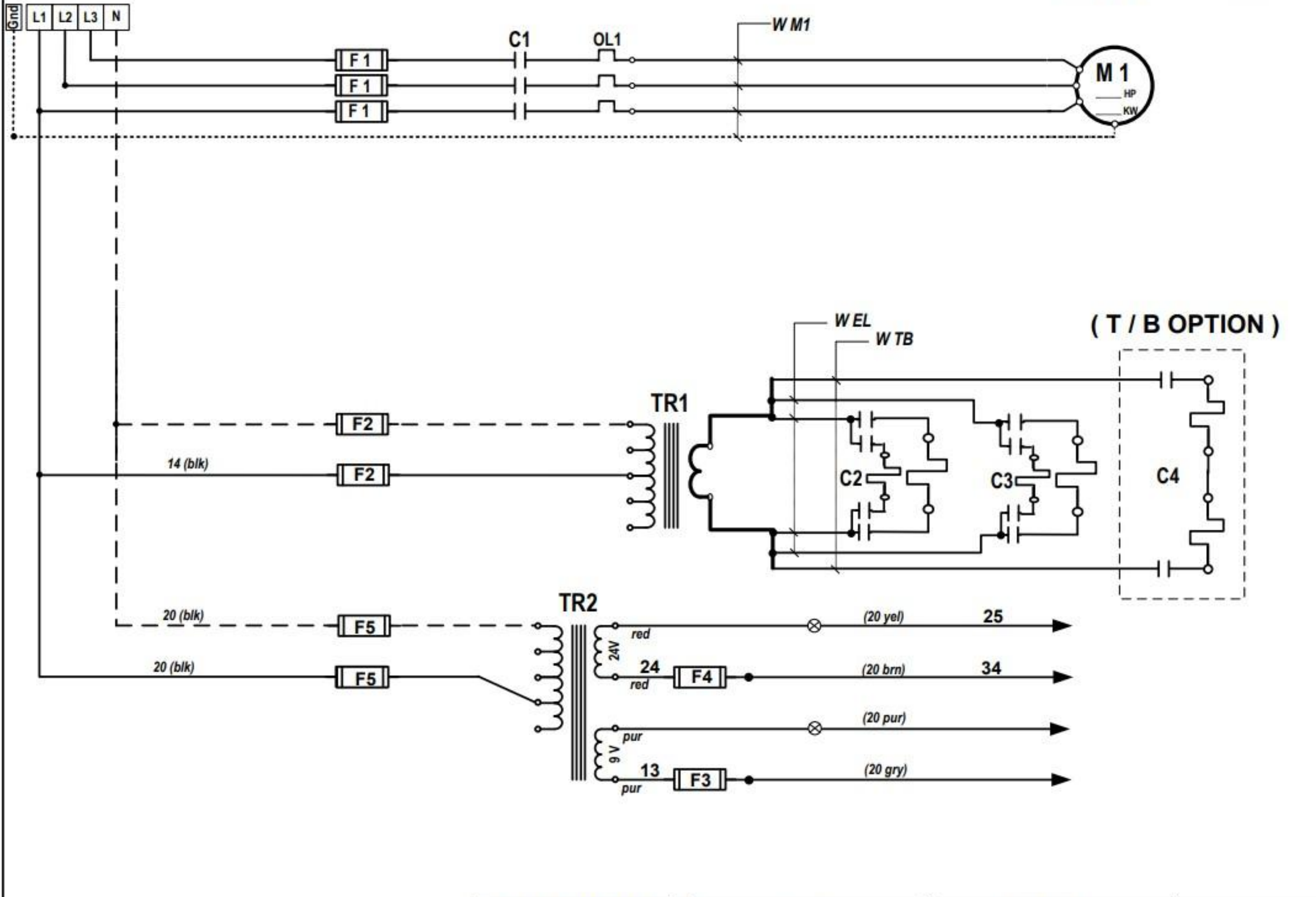


RC filters must be connected on each AC coil (not shown on diagram)

category	<b>VACUUM PACK</b>		model	<b>600A &amp; 620A</b>		volt.				<b>ALL</b>				<b>SIPROMAC</b> St-Germain de Grantham QUEBEC, CANADA	
system					circuit				year	month	day	block			
usual fonctions									<b>10</b>	<b>08</b>	<b>18</b>				
options									concept	draw	app	<b>006-1437</b>		PAGE 1 de 3	
									<b>XX</b>	<b>XX</b>	<b>XX</b>				



category	VACUUM PACK	model	600A	volt.	1Ph 60Hz				SIPROMAC St-Germain de Grantham QUEBEC, CANADA
system				circuit	year	month	day	block	
usual functions					05	01	18		006-1320 PAGE 1 de 1
options					PP	PP	DL		



category	<b>VACUUM PACK</b>	model	<b>600A</b>	volt.	<b>3Ph 60Hz</b>				<b>SIPROMAC</b> St-Germain de Grantham QUEBEC ,CANADA
system				circuit	year	month	day	block	
usual fonctions					<b>05</b>	<b>01</b>	<b>18</b>		<b>006-1330</b> PAGE <b>1 de 1</b>
options					concept	draw	app		
					<b>PP</b>	<b>PP</b>	<b>DL</b>		