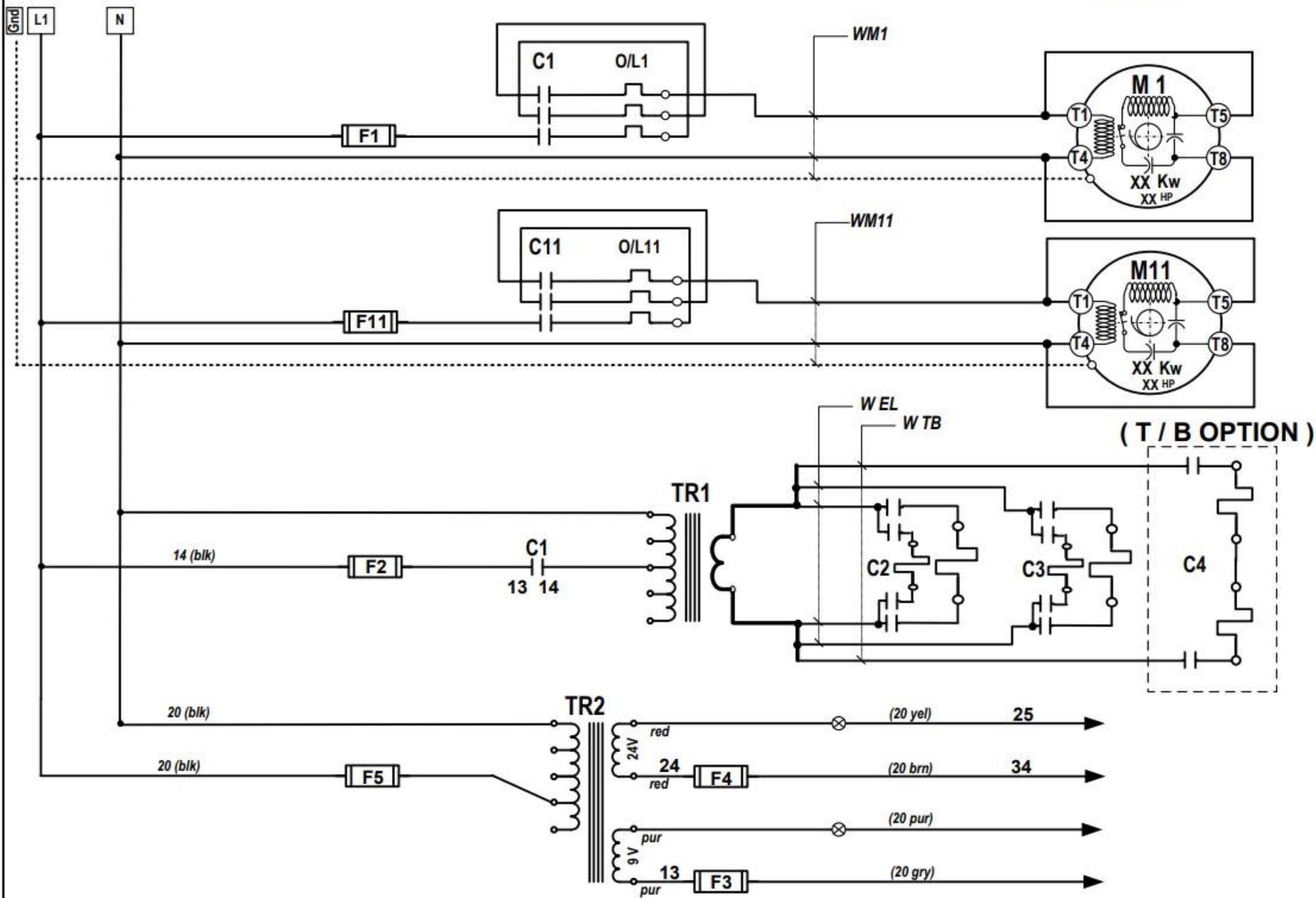
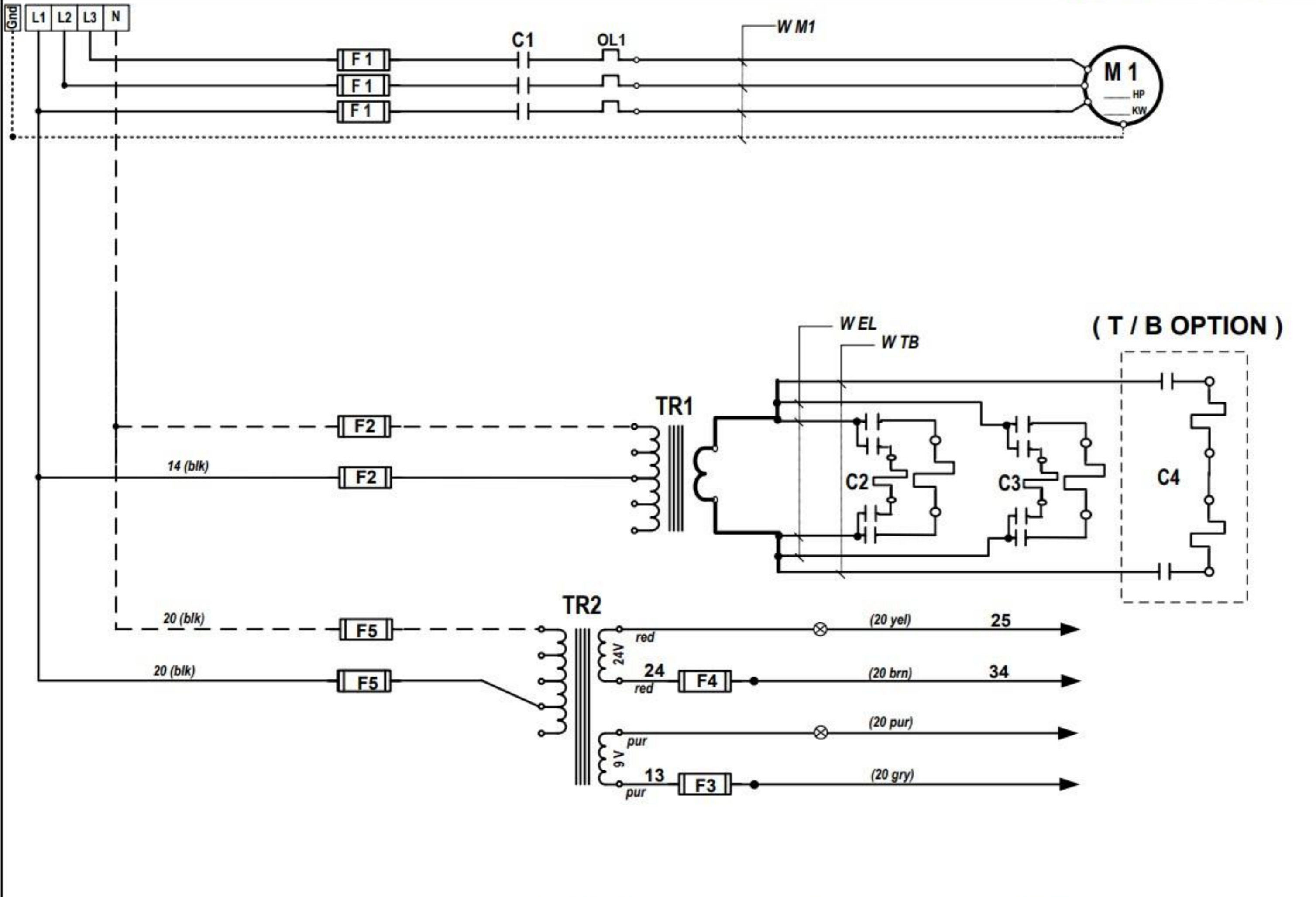


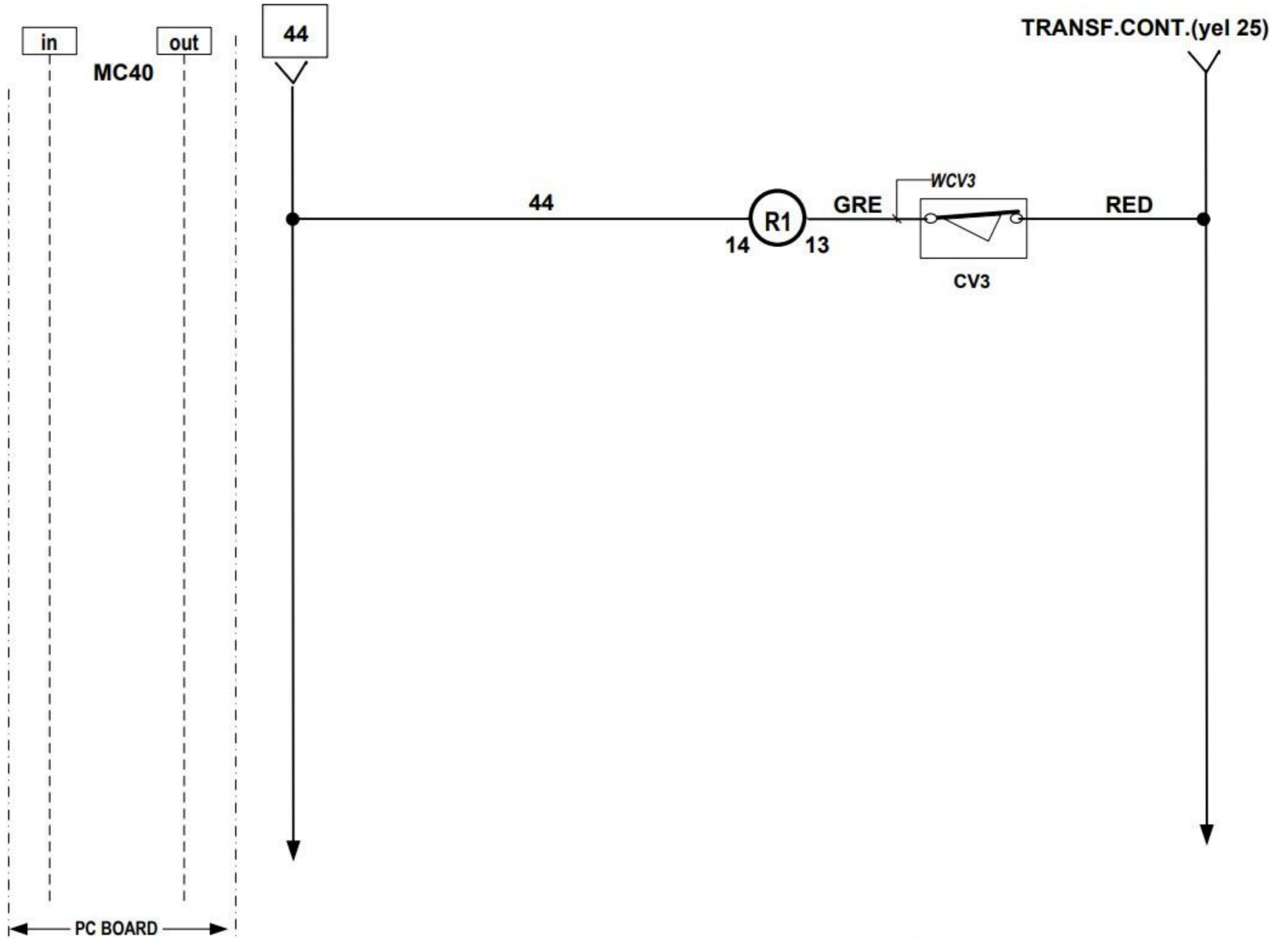
category	VACUUM PACK	model	420A	volt.	1Ph 60Hz				SIPROMAC St-Germain de Grantham QUEBEC, CANADA
system	POWER			circuit	year	month	day	block	
usual functions	MC-40			power	05	01	18		
options					concept	draw	app	006-0620	1 de 1
					PP	PP	DL	PAGE	1



category	VACUUM PACK	model	420A	volt.	120v 1Ph 60Hz	<b>SIPROMAC</b> St-Germain de Grantham QUEBEC, CANADA		
system	POWER			circuit power	year			
usual fonctions	MC-40				10	08	10	
options	2 KB0020 pumps				concept	draw	app	006-0721 PAGE 1 de 1
					XX	XX	XX	

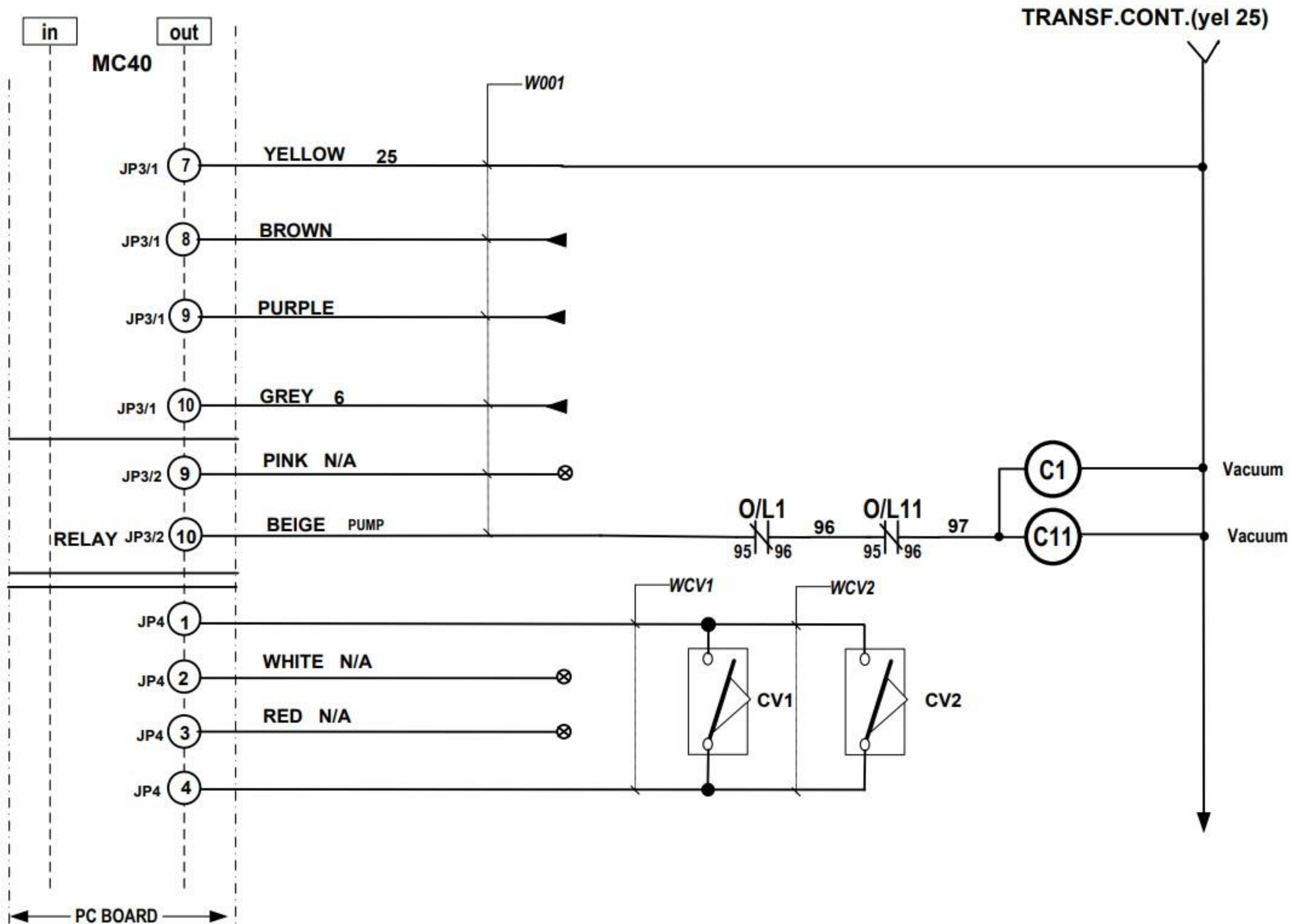


category	VACUUM PACK	model	420A	volt.	3Ph 60Hz				SIPROMAC St-Germain de Grantham QUEBEC, CANADA
system	POWER			circuit	year	month	day	block	
usual	MC-40			power	05	01	18		
fonctions				concept	draw	app	006-0630		
options				PP	PP	DL	PAGE 1 de 1		



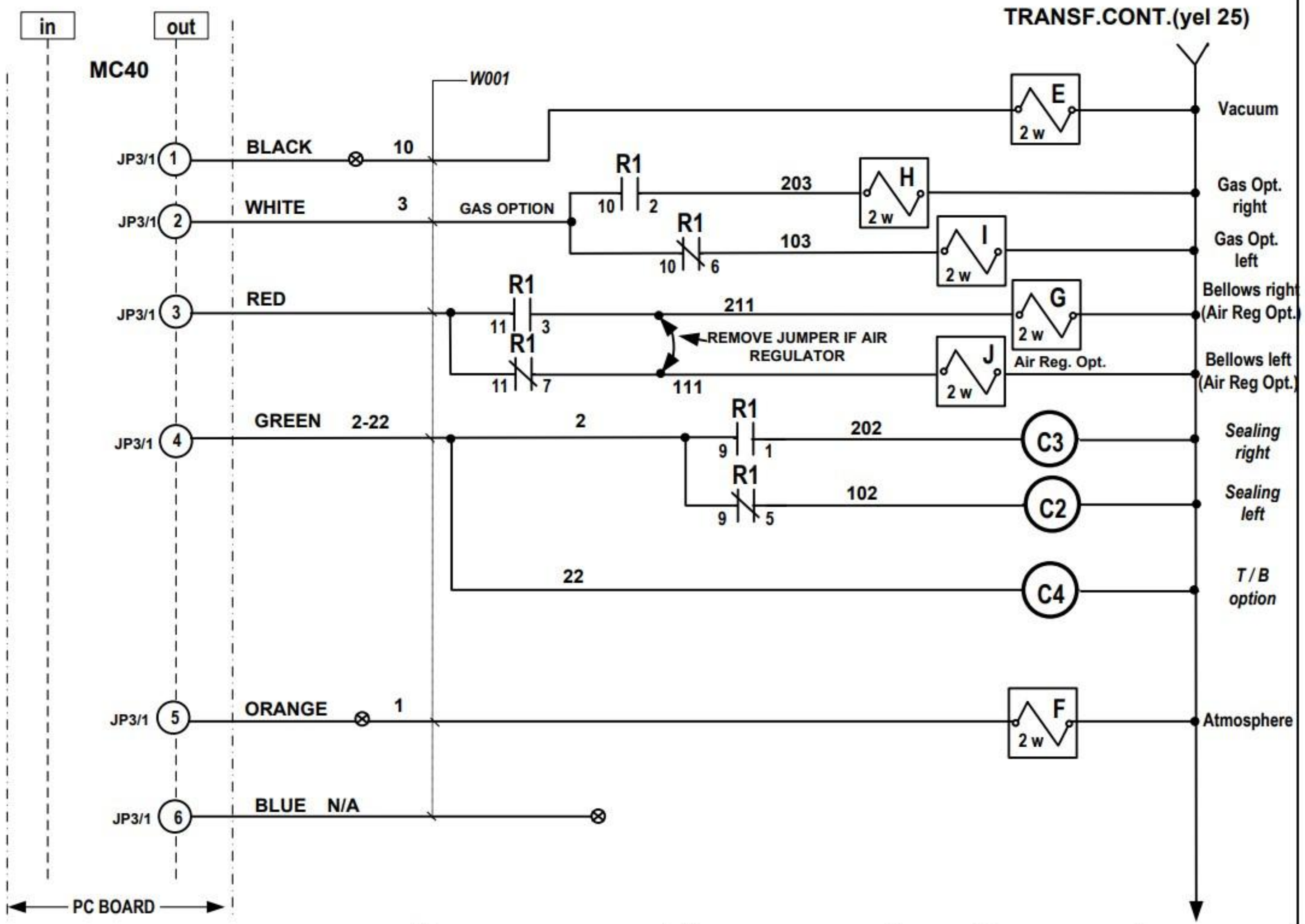
*RC filters must be connected on each AC coil (not shown on diagram)*

category	<b>VACUUM PACK</b>	model	<b>420A</b>	volt.	<b>ALL</b>				<b>SIPROMAC</b> St-Germain de Grantham QUEBEC ,CANADA	
system	<b>Control</b>			circuit	<b>control</b>	year	month	day		
usual fonctions	<b>MC-40</b>			concept	<b>PP</b>	<b>05</b>	<b>03</b>	<b>03</b>	<b>006-0637</b>	PAGE <b>3 de 3</b>
options				draw	<b>PP</b>			<b>DL</b>		



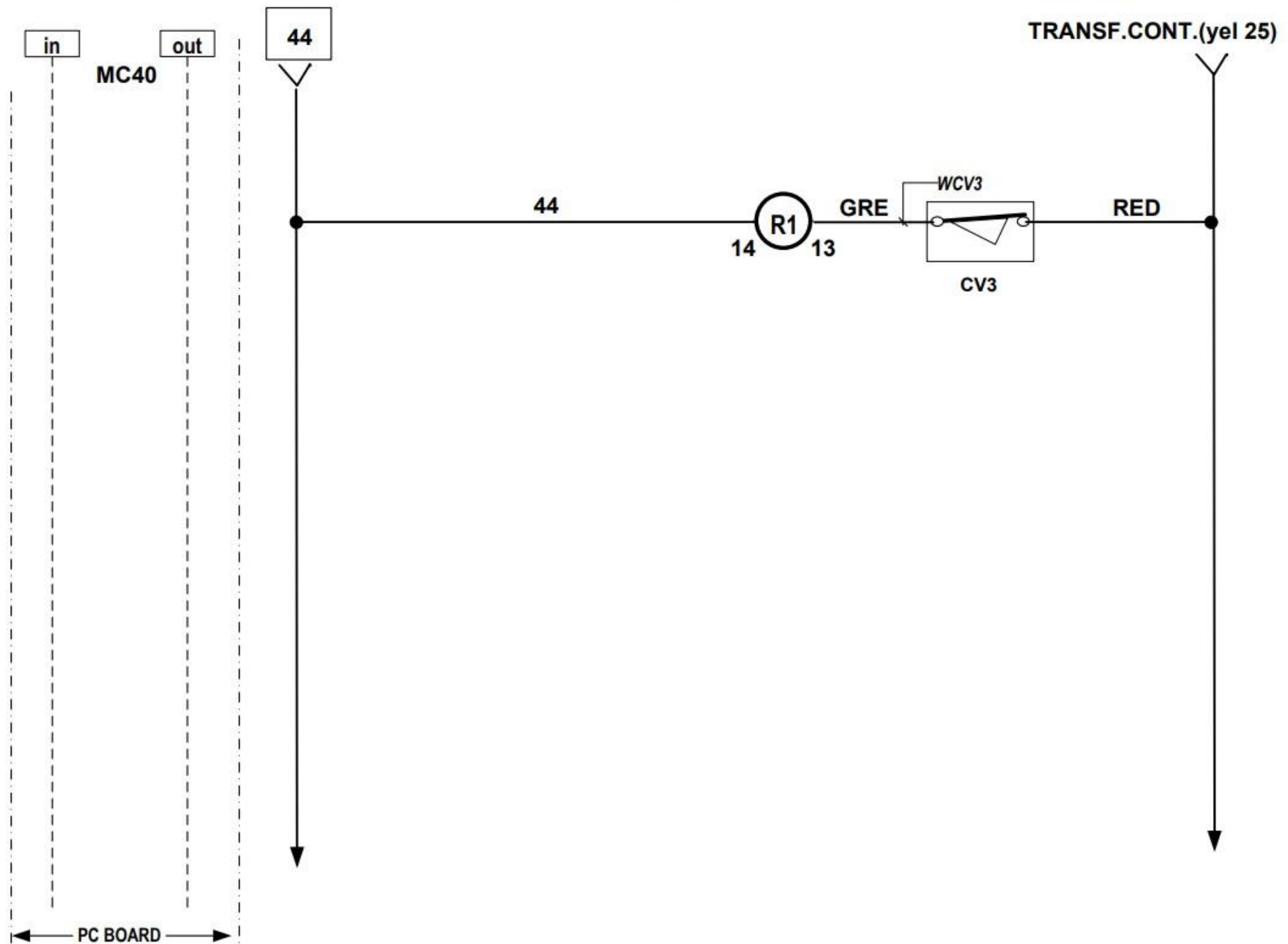
*RC filters must be connected on each AC coil (not shown on diagram)*

category	<b>VACUUM PACK</b>	model	<b>420A</b>	volt.	<b>ALL</b>				<b>SIPROMAC</b> St-Germain de Grantham QUEBEC, CANADA	
system	<b>Control</b>			circuit	<b>control</b>	year	month	day		
usual functions	<b>MC-40</b>				concept	<b>05</b>	<b>03</b>	<b>03</b>		<b>006-0637</b> PAGE 2 de 3
options					PP	PP	DL			



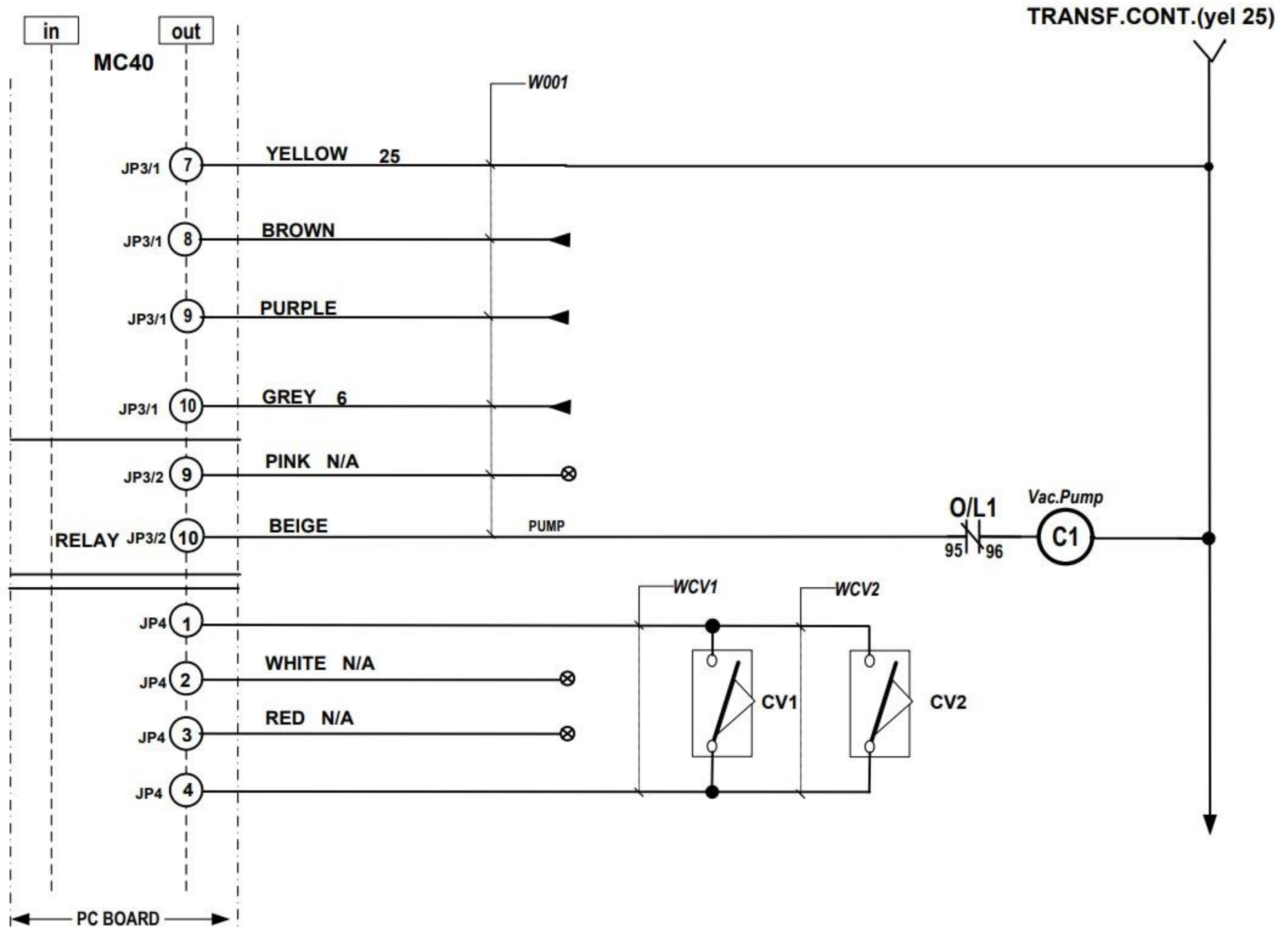
RC filters must be connected on each AC coil (not shown on diagram)

category	VACUUM PACK	model	420A	volt.	ALL					
system	Control			circuit	control	year	month	day	block	SIPROMAC St-Germain de Grantham QUEBEC, CANADA
usual functions	MC-40					05	03	03		
options						concept	draw	app		006-0637
						PP	PP	DL		PAGE 1 de 3



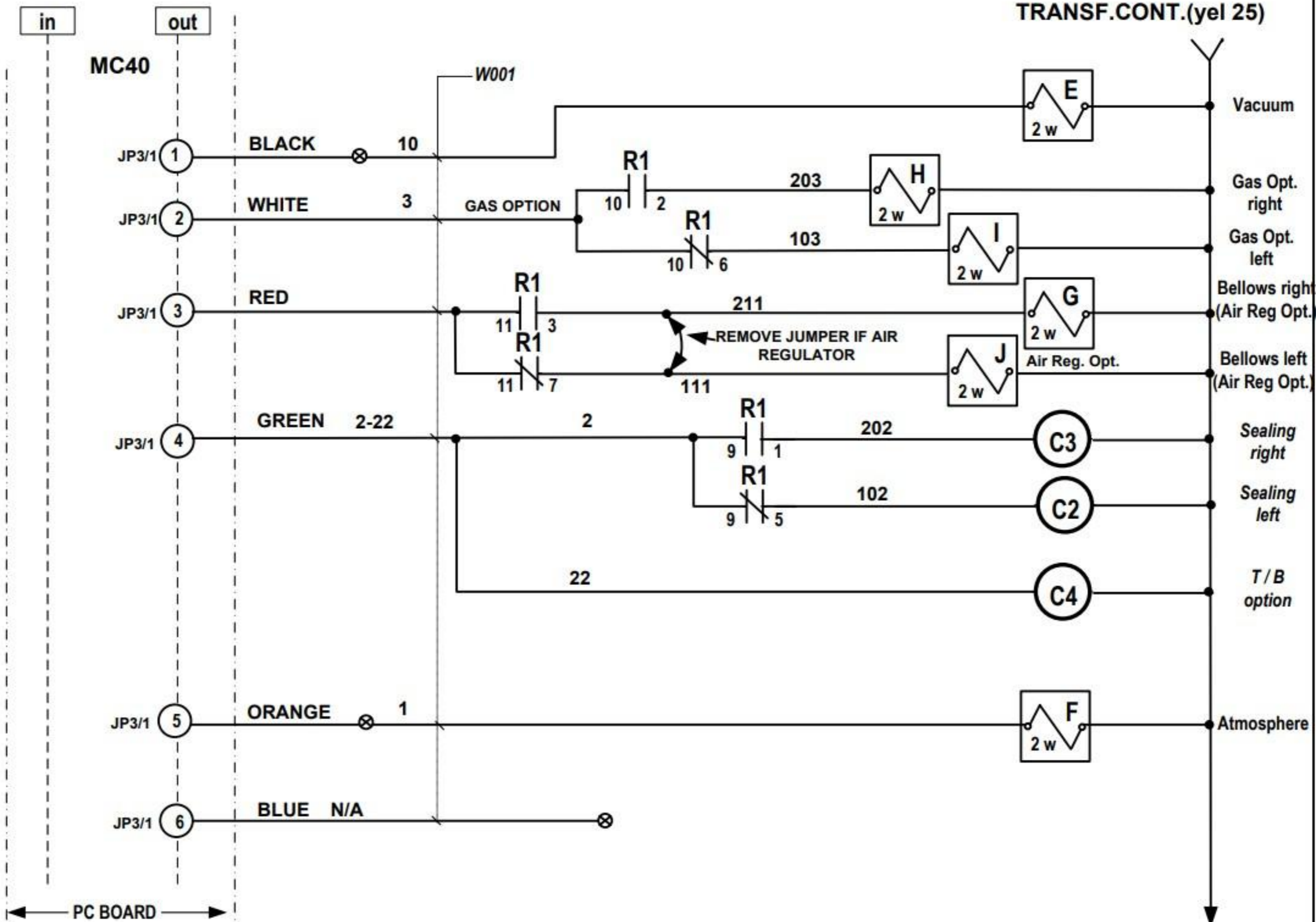
*RC filters must be connected on each AC coil (not shown on diagram)*

category	<b>VACUUM PACK</b>	model	<b>420A</b>	volt.	<b>ALL</b>				<b>SIPROMAC</b> St-Germain de Grantham QUEBEC, CANADA
system	<b>Control</b>			circuit	<b>control</b>	year	month	day	
usual fonctions	<b>MC-40</b>					<b>05</b>	<b>03</b>	<b>03</b>	
options						concept	draw	app	
						<b>PP</b>	<b>PP</b>	<b>DL</b>	<b>006-0637</b> PAGE <b>3 de 3</b>



*RC filters must be connected on each AC coil (not shown on diagram)*

category	<b>VACUUM PACK</b>	model	<b>420A</b>	volt.	<b>ALL</b>				<b>SIPROMAC</b> St-Germain de Grantham QUEBEC ,CANADA	
system	<b>Control</b>			circuit	<b>control</b>	year	month	day		block
usual functions	<b>MC-40</b>						<b>05</b>	<b>03</b>	<b>03</b>	
options							concept	draw	app	
						<b>PP</b>	<b>PP</b>	<b>DL</b>	<b>006-0637</b>	PAGE <b>2 de 3</b>



PC BOARD



RC filters must be connected on each AC coil (not shown on diagram)

category	<b>VACUUM PACK</b>	model	<b>420A</b>	volt.	<b>ALL</b>				<b>SIPROMAC</b> St-Germain de Grantham QUEBEC, CANADA		
system	<b>Control</b>			circuit	<b>control</b>			year			month
usual fonctions	<b>MC-40</b>			concept	<b>PP</b>	draw	<b>PP</b>	app	<b>DL</b>	<b>006-0637</b>	
options									PAGE 1 de 3		