

# SHARP SERVICE MANUAL

S1002R320DPW/

## MICROWAVE OVEN

MODELS **R-320DK**  
**R-320DQ**  
**R-320DW**



R-320DW

In the interest of user-safety the oven should be restored to its original condition and only parts identical to those specified should be used.

**WARNING TO SERVICE PERSONNEL:** Microwave ovens contain circuitry capable of producing very high voltage and current, contact with following parts may result in a severe, possibly fatal, electrical shock. (High Voltage Capacitor, High Voltage Power Transformer, Magnetron, High Voltage Rectifier Assembly, High Voltage Harness etc..)

### TABLE OF CONTENTS

	Page
PRECAUTIONS TO BE OBSERVED BEFORE AND DURING SERVICING TO AVOID POSSIBLE EXPOSURE TO EXCESSIVE MICROWAVE ENERGY .....	INSIDE FRONT COVER
BEFORE SERVICING .....	INSIDE FRONT COVER
WARNING TO SERVICE PERSONNEL .....	1
MICROWAVE MEASUREMENT PROCEDURE .....	2
FOREWORD AND WARNING .....	3
PRODUCT SPECIFICATIONS .....	4
GENERAL INFORMATION .....	4
OPERATION .....	6
TROUBLESHOOTING GUIDE .....	10
TEST PROCEDURE .....	11
TOUCH CONTROL PANEL .....	21
COMPONENT REPLACEMENT AND ADJUSTMENT PROCEDURE .....	27
PICTORIAL DIAGRAM .....	33
POWER UNIT CIRCUIT .....	34
CPU UNIT CIRCUIT .....	35
PRINTED WIRING BOARD .....	36
PARTS LIST .....	37
PACKING AND ACCESSORIES .....	41

**SHARP CORPORATION**

This document has been published to be used for after sales service only.

The contents are subject to change without notice.

## PARTS LIST

**Note: The parts marked "Δ" may cause undue microwave exposure.  
The parts marked "\*" are used in voltage more than 250V.**

REF. NO.	PART NO.	DESCRIPTION	Q'TY	CODE
----------	----------	-------------	------	------

### ELECTRIC PARTS

1- 1	QSW-MA147WRZZ	2nd interlock switch / door sensing switch	2	AG
1- 2	QFSHDA009WRE0	Fuse holder	1	AH
1- 3	FFS-BA021WRK0	Monitor fuse 20A and monitor switch (V-16G-2C25) assembly	1	AL
1- 4	RTHM-A078WRE0	Thermal cut-out 125 deg.	1	AL
1- 5	FACCDAA085WREZ	Power supply cord	1	AQ
1- 5	FACCDAA083WRE0	Power supply cord (Interchangeable)	1	AQ
1- 6	FH-DZA094WRKZ	High voltage rectifier assembly	1	AU
* 1- 7	RC-QZA234WRE0	High voltage capacitor	1	AV
* 1- 8	RV-MZA288WRE0	Magnetron	1	BK
Δ* 1- 9	RMOTEA383WRE0	Fan motor	1	AV
1- 9	RMOTEA355WRE0	Fan motor (Interchangeable)	1	AU
1-10	QSOCLA021WRE0	Oven lamp socket	1	AH
1-11	RLMPTA068WRE0	Oven lamp	1	AG
1-11	RLMPTA030WRE0	Oven lamp (Interchangeable)	1	AE
1-12	RMOTDA229WRE0	Turntable motor	1	AQ
1-12	RMOTDA211WRE0	Turntable motor (Interchangeable)	1	AS
1-13	RTHM-A080WRE0	Thermal cut-out 145 deg.	1	AP
* 1-14	RTRN-A603WRZZ	Power transformer	1	BM
1-15	FDTCTA197WRK0	AH sensor asseblly	1	BC

### CABINET PARTS

2- 1	GCABUA744WRPZ	Outer case cabinet [R-320DK]	1	BC
2- 1	GCABUA690WRP0	Outer case cabinet [R-320DW]	1	AZ
2- 1	GCABUA758WRPZ	Outer case cabinet [R-320DQ]	1	BF
2- 2	GDAI-A316WRW0	Bottom plate	1	AX
2- 3	GLEGPA074WRE0	Foot	2	AC
2- 4	GLEGPA077WRF0	Leg	1	AH

### CONTROL PANEL PARTS

3- 1	DPWBFC024WRKZ	Power unit	1	BA
3- 1A	QCNCMA446DRE0	2-pin connector (CN-A)	1	AC
3- 1B	FW-VZA232DRE0	12pin lead wire (CN-C)	1	AE
3- 1C	FW-VZA195DRE0	Switch harness A (SH-A)	1	AD
3- 1D	FW-VZA256DREZ	Switch harness B (SH-B)	1	AF
C2	VCEAB31VW108M	Capacitor 1000 uF 35V	1	AF
D20	RSRCDA013DRE0	Diode bridge (S1NB10)	1	AG
RY1	RRLY-A076DRE0	Relay (OMIF-S-124LM)	1	AK
RY2	RRLY-A113DRE0	Relay (DU24D1-1PR(M))	1	AM
SP1	RALM-A014DRE0	Buzzer (PKM22EPT)	1	AG
T1	RTRNPA111DRE0	Transformer	1	AP
VRS1	RH-VZA032DRE0	Varistor (10G471K)	1	AE
3- 2	DPWBFC023WRKZ	CPU unit	1	BE
3- 3	FPNLCA484WRKZ	Control panel frame with key unit [R-320DK]	1	BC
3- 3	FPNLCA486WRKZ	Control panel frame with key unit [R-320DW]	1	BD
3- 3	FPNLCA487WRKZ	Control panel frame with key unit [R-320DQ]	1	BD
3- 3-1	FUNTKA980WREZ	Key unit [R-320DK]	1	AW
3- 3-1	FUNTKA981WREZ	Key unit [R-320DW]	1	AY
3- 3-1	FUNTKA982WREZ	Key unit [R-320DQ]	1	AY
3- 4	PSHEPA588WRE0	LED sheet	1	AE
3- 5	LHLD-A219WRFZ	LCD holder	1	AD
3- 6	XEPSD30P08XS0	Screw; 3mm x 8mm	4	AA

### OVEN PARTS

Δ 4- 1	PDUC-A724WRF0	Air separator	1	AU
4- 2	PPACGA084WRF0	TM packing	1	AF
4- 3	PHOK-A116WRFZ	Latch hook	1	AH
4- 4	LBNDKA099WRW0	Capacitor holder	1	AD
4- 5	NFANJA029WRE0	Fan blade	1	AL
4- 6	PDUC-A728WRW0	Fan duct	1	AT
Δ 4- 7	*****	Oven cavity (Not a replaceable part)	1	--
4- 8	LANGFA196WRWZ	Chassis support	1	AX
4- 9	LANG-A067WRPZ	Magnetron duct	1	AG
4-10	LANG-A063WRPZ	Air guide	1	AH
4-11	LANG-A064WRPZ	Barrier	1	AK
4-12	NCPL-A053WRFZ	Coupling	1	AE
4-13	PCUSUA511WRP0	Cushion	1	AC
4-14	PCOVPA349WRE0	Waveguide cover	1	AE

REF. NO.	PART NO.	DESCRIPTION	Q'TY	CODE
4-15	PCUSGA339WRP0	Cushion	2	AG
4-16	PCUSGA533WRP0	Cushion	1	AD
4-17	PCUSUA512WRP0	Cushion	1	AB
4-18	PCUSGA529WRP0	Cushion	1	AC
4-19	PCUSUA527WRP0	Cushion	1	AE
4-20	PCUSUA157WRP0	Cushion	2	AC
4-21	PCUSUA212WRP0	Cushion	1	AB
4-22	PCUSUA474WRP0	Cushion	2	AC
4-23	PCUSUA376WRP0	Cushion	2	AF
4-24	LANG-A065WRWZ	Sensor guide	1	AH
4-25	LANGTA365WRPZ	Sensor mounting angle	1	AH

### DOOR PARTS

△	5- 1	FDORFA332WRT0	Door panel	1	BD
	5- 2	PSHEPA382WRE0	Sealer film	1	AH
△	5- 3	GWAKPA694WRRZ	Door frame [R-320DK]	1	AX
△	5- 3	GWAKPA701WRRZ	Door frame [R-320DW]	1	AV
△	5- 3	GWAKPA710WRRZ	Door frame [R-320DQ]	1	AT
	5- 4	HPNL-A731WRRZ	Door screen [R-320DK]	1	AS
	5- 4	HPNL-A734WRR0	Door screen [R-320DW]	1	AS
	5- 4	HPNL-A739WRR0	Door screen [R-320DQ]	1	AS
△	5- 5	LSTPPA193WRFZ	Latch head	1	AE
	5- 6	MSPRTA187WRE0	Latch spring	1	AC
	5- 7	XCPSD40P08000	Screw : 4mm x 8mm	4	AA
	5- 8	PCUSUA461WRP0	Cushion	1	AB
	5- 9	GCOVHA417WRFZ	Choke cover	1	AG

### MISCELLANEOUS

	6- 1	FROLPA079WRK0	Turntable support	1	AQ
	6- 2	NTNT-A079WRE0	Turntable tray	1	AR
	6- 3	FW-VZB771WREZ	Main wire harness	1	AU
*	6- 4	QW-QZA150WRE0	High voltage wire B	1	AF
	6- 5	PZET-A012WRE0	Terminal insulator	1	AB
	6- 6	TCAUAA166WRR0	DHHS caution label	1	AC
	6- 7	TCAUAA254WRR0	Monitor caution label	1	
	6- 8	TINSEA832WRRZ	Instruction book	1	AP
	6- 9	TCAUAA255WRR0	Screw caution	1	

### SCREWS,NUTS AND WASHERS

	7- 1	XHPSD40P08K00	Screw : 4mm x 8mm	9	AA
	7- 2	XHPSD30P06000	Screw : 3mm x 6mm	3	AA
	7- 3	XHTSD40P08RV0	Screw : 4mm x 8mm	5	AA
	7- 4	XHTSD40P12RV0	Screw : 4mm x 12mm	1	AA
	7- 5	XOTSD40P12RV0	Screw : 4mm x 12mm	3	AA
	7- 6	XOTSD40P12000	Screw : 4mm x 12mm	17	AA
	7- 7	XOTSF40P08000	Screw : 4mm x 8mm [R-310DK]	1	AA
	7- 7	XOTSE40P08000	Screw : 4mm x 8mm [R-310DW]	1	AA
	7- 7	XOTSE40P08000	Screw : 4mm x 8mm [R-308DW]	1	AA
	7- 8	LX-CZA070WRE0	Special screw (Torx tamper proof screw)	2	AC
	7- 9	LX-CZ0052WRE0	Special screw	2	AA

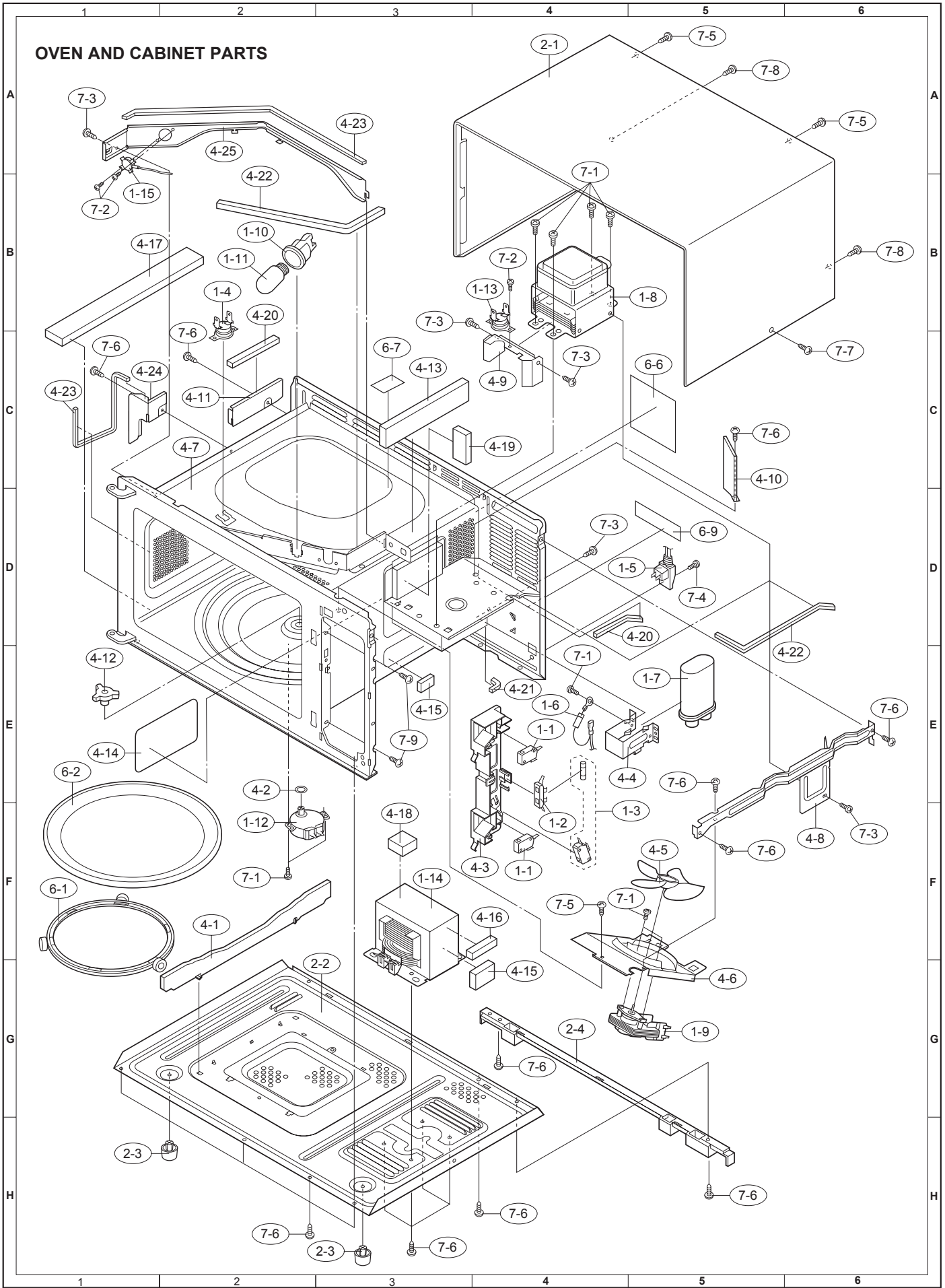
### HOW TO ORDER REPLACEMENT PARTS

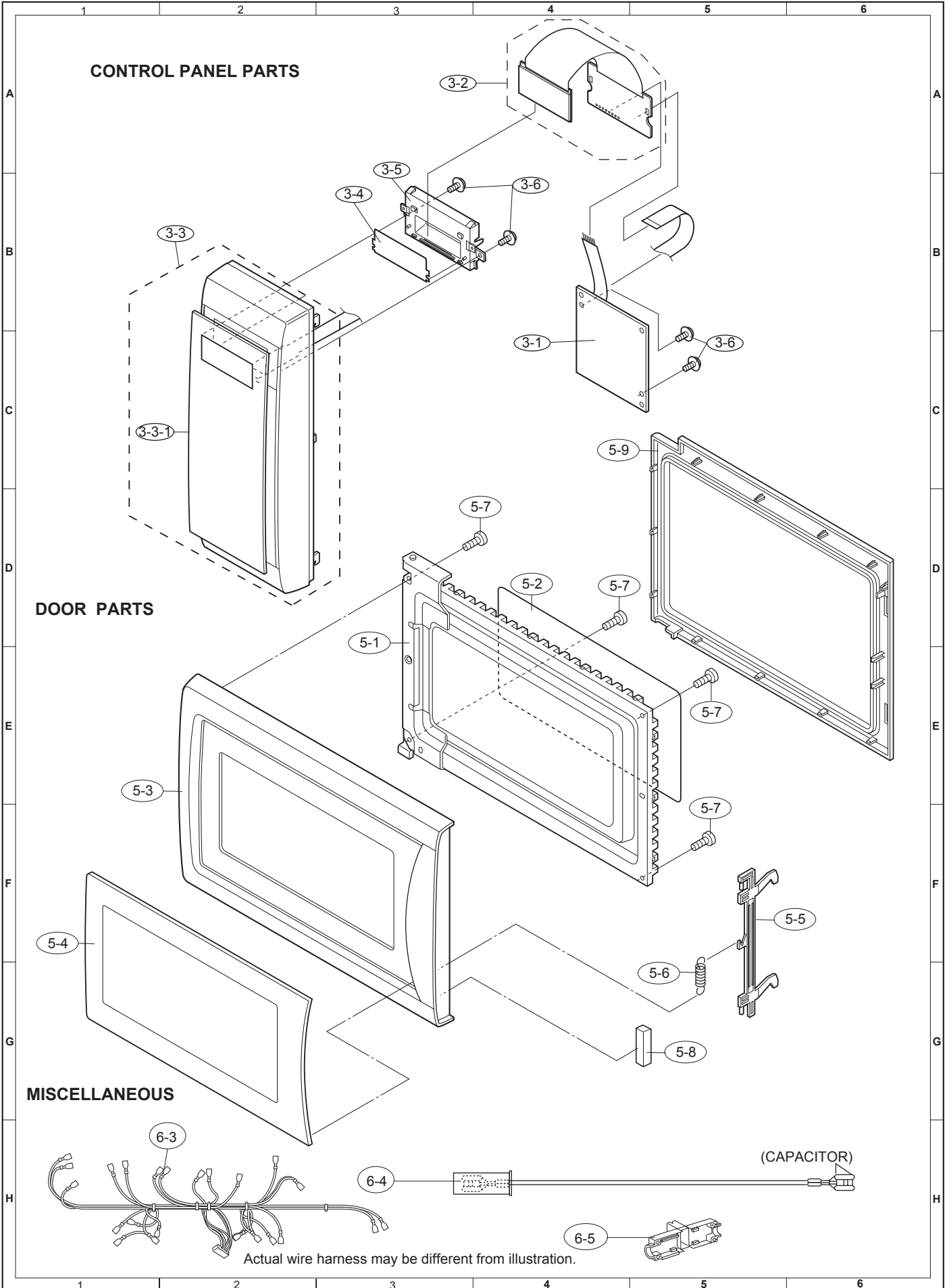
To have your order filled promptly and correctly, please furnish the following information.

1. MODEL NUMBER
2. REF. NO.
3. PART NO.
4. DESCRIPTION

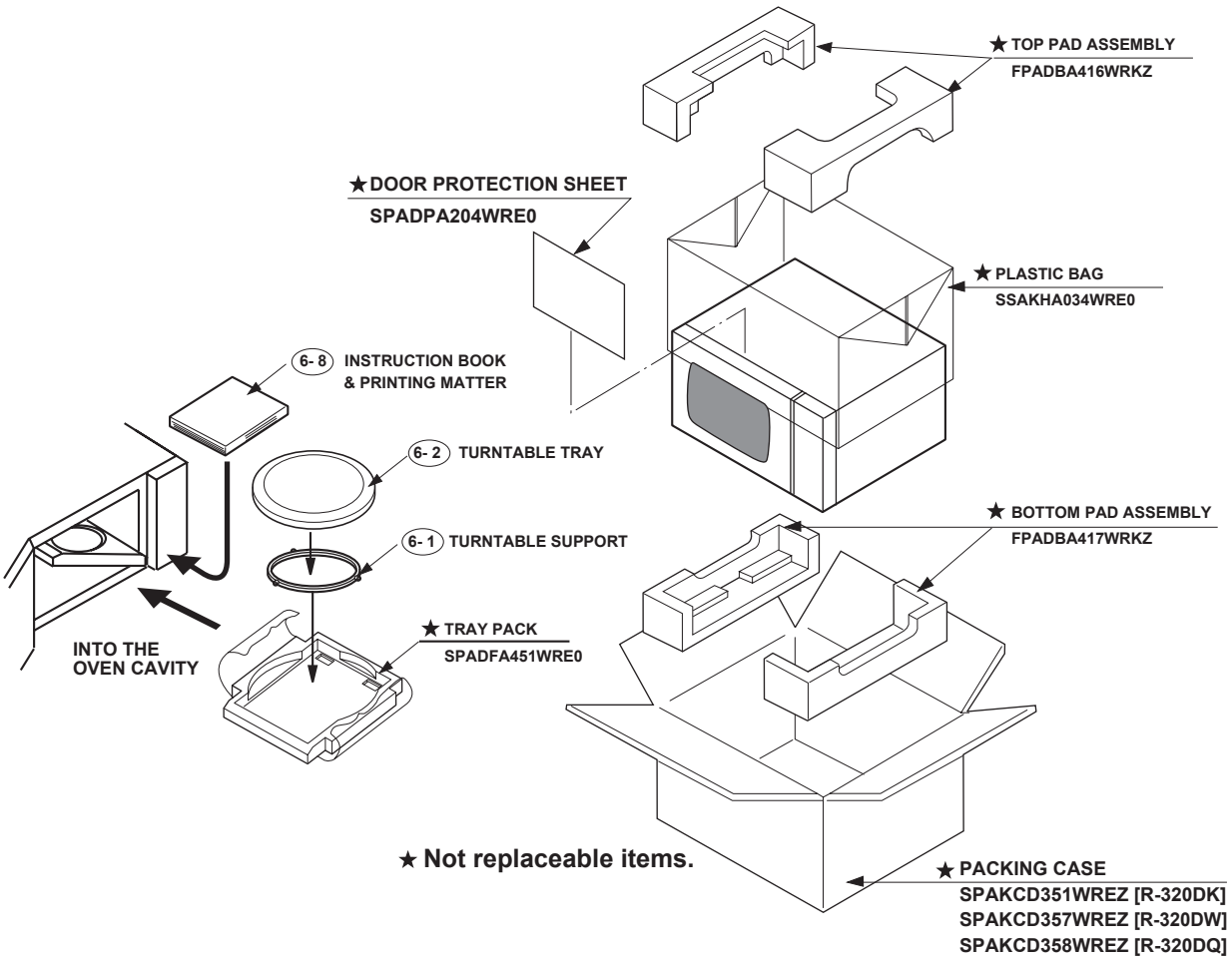
Order Parts from the authorized SHARP parts Distributor for your area.  
Defective parts requiring return should be returned as indicated in the Service Policy.

# OVEN AND CABINET PARTS





### PACKING AND ACCESSORIES



# SHARP

COPYRIGHT © 2000 BY SHARP CORPORATION

ALL RIGHTS RESERVED.

No part of this publication may be reproduced, stored in retrieval systems, or transmitted in any form or by any means, electronic, mechanical, photocopying, recording, or otherwise, without prior written permission of the publisher.